

Xilinx Standalone Library Documentation

OS and Libraries Document Collection

UG643 (v2021.1) June 16, 2021

Table of Contents

Chapter 1: Xilinx OS and Libraries Overview.....	5
Chapter 2: Xilinx Standard C Libraries.....	7
Arithmetic Operations.....	8
Input/Output Functions.....	9
Chapter 3: Standalone Library v7.5.....	12
Xilinx Hardware Abstraction Layer APIs.....	12
MicroBlaze Processor APIs.....	38
Arm Processor Common APIs.....	57
Arm Cortex-R5F Processor APIs.....	63
Arm Cortex-A9 Processor APIs.....	83
Arm Cortex-A53 32-bit Processor APIs.....	112
Arm Cortex-A53 64-bit Processor APIs.....	123
Chapter 4: LwIP 2.1.1 Library v1.5.....	134
Introduction.....	134
Using lwIP.....	135
LwIP Library APIs.....	145
Chapter 5: XilFlash Library v4.9.....	152
Overview.....	152
Device Geometry.....	152
XilFlash Library API.....	155
Library Parameters in MSS File.....	163
Chapter 6: XilFFS Library v4.5.....	164
XilFFS Library API Reference.....	164
Library Parameters in MSS File.....	167
Chapter 7: XilSecure Library v4.5.....	169
Overview.....	169

AES-GCM.....	170
RSA.....	181
SHA-3.....	188
Data Structure Index.....	196
Chapter 8: XilSkey Library v7.1.....	200
Overview.....	200
BBRAM PL API.....	205
Zynq UltraScale+ MPSoC BBRAM PS API.....	207
Zynq eFUSE PS API.....	209
Zynq UltraScale+ MPSoC eFUSE PS API.....	211
eFUSE PL API.....	237
CRC Calculation API.....	239
User-Configurable Parameters.....	241
Error Codes.....	265
Data Structure Index.....	275
Chapter 9: XilPM Library v3.4.....	276
XilPM Zynq UltraScale+ MPSoC APIs.....	276
XilPM Versal ACAP APIs.....	320
Data Structure Index.....	480
Library Parameters in MSS File.....	484
Chapter 10: XilFPGA Library v6.0.....	485
Overview.....	485
Zynq UltraScale+ MPSoC XilFPGA Library.....	486
Versal ACAP XilFPGA Library.....	494
XilFPGA APIs.....	496
Chapter 11: XilMailbox v1.3.....	511
XilMailbox Library API Reference.....	511
Data Structure Index.....	519
Chapter 12: XilSEM Library v1.3.....	521
Introduction.....	521
XilSEM Library Versal Client APIs.....	538
Data Structure Index.....	547
Appendix A: Additional Resources and Legal Notices.....	552



Xilinx Resources.....	552
Documentation Navigator and Design Hubs.....	552
Please Read: Important Legal Notices.....	553

Xilinx OS and Libraries Overview

The Vitis™ Unified Software Development Environment provides a variety of Xilinx® software packages, including drivers, libraries, board support packages, and complete operating systems to help you develop a software platform. This document collection provides information on these. Complete documentation for other operating systems can be found in their respective reference guides. Device drivers are documented along with the corresponding peripheral documentation. The documentation is listed in the following table; click the name to open the document.

Library Name	Summary
Chapter 2: Xilinx Standard C Libraries	Describes the software libraries available for the embedded processors.
Chapter 3: Standalone Library v7.5	Describes the Standalone platform, a single-threaded, simple operating system (OS) platform that provides the lowest layer of software modules used to access processor-specific functions. Some typical functions offered by the Standalone platform include setting up the interrupts and exceptions systems, configuring caches, and other hardware specific functions. The Hardware Abstraction Layer (HAL) is described in this document.
Chapter 4: LwIP 2.1.1 Library v1.5	Describes the SDK port of the third party networking library, Light Weight IP (lwIP) for embedded processors.
Chapter 5: XilFlash Library v4.9	Provides read/write/erase/lock/unlock features to access a parallel flash device.
Chapter 6: XilFFS Library v4.5	XilFFS is a generic FAT file system that is primarily added for use with SD/eMMC driver. The file system is open source and a glue layer is implemented to link it to the SD/eMMC driver.
Chapter 7: XilSecure Library v4.5	Provides APIs to access secure hardware on the Zynq® UltraScale+™ MPSoCs.
Chapter 8: XilSkey Library v7.1	Provides a programming mechanism for user-defined eFUSE bits and for programming the KEY into battery-backed RAM (BBRAM) of Zynq SoC, provides programming mechanisms for eFUSE bits of UltraScale™ devices. The library also provides programming mechanisms for eFUSE bits and BBRAM key of the Zynq UltraScale+ MPSoCs.
Chapter 9: XilPM Library v3.4	The Zynq UltraScale+ MPSoC and Versal™ ACAP power management framework is a set of power management options, based upon an implementation of the extensible energy management interface (EEMI). The power management framework allows software components running across different processing units (PUs) on a chip or device to issue or respond to requests for power management.
Chapter 10: XilFPGA Library v6.0	Provides an interface to the Linux or bare-metal users for configuring the programmable logic (PL) over PCAP from PS. The library is designed for Zynq UltraScale+ MPSoC and Versal ACAP to run on top of Xilinx® standalone BSPs.
Chapter 11: XilMailbox v1.3	Provides the top-level hooks for sending or receiving an inter-processor interrupt (IPI) message using the Zynq UltraScale+ MPSoC and Versal ACAP IPI hardware.
Chapter 12: XilSEM Library v1.3	The Xilinx Soft Error Mitigation (XilSEM) library is a pre-configured, pre-verified solution to detect and optionally correct soft errors in Configuration Memory of Versal ACAPs.

About the Libraries

The Standard C support library consists of the `newlib`, `libc`, which contains the standard C functions such as `stdio`, `stdlib`, and `string` routines. The math library is an enhancement over the `newlib` math library, `libm`, and provides the standard math routines. The LibXil libraries consist of the following:

- LibXil Driver (Xilinx device drivers)
- XilMFS (Xilinx memory file system)
- XilFlash (a parallel flash programming library)
- Xillsf (a serial flash programming library)

The Hardware Abstraction Layer (HAL) provides common functions related to register I/O, exception, and cache. These common functions are uniform across MicroBlaze™ and Arm® Cortex®-A9 processors. The Standalone platform document provides some processor specific functions and macros for accessing the processor-specific features. Most routines in the library are written in C and can be ported to any platform. User applications must include appropriate headers and link with required libraries for proper compilation and inclusion of required functionality. These libraries and their corresponding include files are created in the processor `\lib` and `\include` directories, under the current project, respectively. The `-I` and `-L` options of the compiler being used should be leveraged to add these directories to the search paths.

Library Organization

Your application can interface with the components in a variety of ways. The libraries are independent of each other, with the exception of some interactions. The LibXil drivers and the Standalone form the lowermost hardware abstraction layer. The library and OS components rely on standard C library components. The math library, `libm.a` is also available for linking with the user applications. Taking into account some restrictions and implications, which are described in the reference guides for each component, you can mix and match the component libraries.

Note: “LibXil Drivers” are the device drivers included in the software platform to provide an interface to the peripherals in the system. These drivers are provided along with the Vitis Unified Software Development Environment and are configured by Libgen. This document collection contains a section that briefly discusses the concept of device drivers and the way they integrate with the board support package in Vitis.

Xilinx Standard C Libraries

The Unified Software Development Environment libraries and device drivers provide standard C library functions, as well as functions to access peripherals. These libraries are automatically configured based on the Microprocessor Software Specification (MSS) file. These libraries and include files are saved in the current project lib and include directories, respectively. The -I and -L options of mb-gcc are used to add these directories to its library search paths.

Standard C Library (libc.a)

The standard C library, `libc.a`, contains the standard C functions compiled for the MicroBlaze™ processor or the Arm® Cortex-A9 processor. You can find the header files corresponding to these C standard functions in the `<XILINX_SDK>/gnu/<processor>/<platform>/<processor-lib>/include` folder, where:

- `<vitis>` is the Vitis Unified Software Development Environment installation path
- `<processor>` is either Arm or MicroBlaze
- `<platform>` is either Solaris (sol), or Windows (nt), or Linux (lin)
- `<processor-lib>` is either `arm-xilinx-eabi` or `microblaze-xilinx-elf`

The `lib.c` directories and functions are:

<code>_ansi.h</code>	<code>fastmath.h</code>	<code>machine/</code>	<code>reent.h</code>	<code>stdlib.h</code>	<code>utime.h</code>	<code>_syslist.h</code>
<code>fcntl.h</code>	<code>malloc.h</code>	<code>regdef.h</code>	<code>string.h</code>	<code>utmp.h</code>	<code>ar.h</code>	<code>float.h</code>
<code>math.h</code>	<code>setjmp.h</code>	<code>sys/</code>	<code>assert.h</code>	<code>grp.h</code>	<code>paths.h</code>	<code>signal.h</code>
<code>termios.h</code>	<code>ctype.h</code>	<code>ieeefp.h</code>	<code>process.h</code>	<code>stdarg.h</code>	<code>time.h</code>	<code>dirent.h</code>
<code>imits.h</code>	<code>pthread.h</code>	<code>stddef.h</code>	<code>nctrl.h</code>	<code>errno.h</code>	<code>locale.h</code>	<code>pwd.h</code>
<code>stdio.h</code>	<code>unistd.h</code>					

Programs accessing standard C library functions must be compiled as follows:

- For MicroBlaze processors:

```
mb-gcc <C files>
```

- For Arm Cortex-A9 processors:

```
arm-xilinx-eabi-gcc <C files>
```

The `libc` library is included automatically. For programs that access `libm` math functions, specify the `lm` option. For more information on the C runtime library, see *MicroBlaze Processor Reference Guide* ([UG081](#)).

Xilinx C Library (libxil.a)

The Xilinx C library, `libxil.a`, contains the following object files for the MicroBlaze processor embedded processor:

- `_exception_handler.o`
- `_interrupt_handler.o`
- `_program_clean.o`
- `_program_init.o`

Default exception and interrupt handlers are provided. The `libxil.a` library is included automatically. Programs accessing Xilinx C library functions must be compiled as follows:

```
mb-gcc <C files>
```

Memory Management Functions

The MicroBlaze processor and Arm Cortex-A9 processor C libraries support the standard memory management functions such as `malloc()`, `calloc()`, and `free()`. Dynamic memory allocation provides memory from the program heap. The heap pointer starts at low memory and grows toward high memory. The size of the heap cannot be increased at run time. Therefore an appropriate value must be provided for the heap size at compile time. The `malloc()` function requires the heap to be at least 128 bytes in size to be able to allocate memory dynamically (even if the dynamic requirement is less than 128 bytes).

Note: The return value of `malloc` must always be checked to ensure that it could actually allocate the memory requested.

Arithmetic Operations

Software implementations of integer and floating point arithmetic is available as library routines in `libgcc.a` for both processors. The compiler for both the processors inserts calls to these routines in the code produced, in case the hardware does not support the arithmetic primitive with an instruction.

Details of the software implementations of integer and floating point arithmetic for MicroBlaze processors are listed below:

Integer Arithmetic

By default, integer multiplication is done in software using the library function `__mulsi3`. Integer multiplication is done in hardware if the `-mno-x1-soft-mul` `mb-gcc` option is specified. Integer divide and mod operations are done in software using the library functions `__divsi3` and `__modsi3`. The MicroBlaze processor can also be customized to use a hard divider, in which case the `div` instruction is used in place of the `__divsi3` library routine. Double precision multiplication, division and mod functions are carried out by the library functions `__muldi3`, `__divdi3`, and `__moddi3` respectively. The unsigned version of these operations correspond to the signed versions described above, but are prefixed with an `_u` instead of `__`.

Floating Point Arithmetic

All floating point addition, subtraction, multiplication, division, and conversions are implemented using software functions in the C library.

Thread Safety

The standard C library provided with the Vitis IDE is not built for a multi-threaded environment. STDIO functions like `printf()`, `scanf()` and memory management functions like `malloc()` and `free()` are common examples of functions that are not thread-safe. When using the C library in a multi-threaded environment, proper mutual exclusion techniques must be used to protect thread unsafe functions.

Input/Output Functions

The embedded libraries contain standard C functions for Input/Output (I/O), such as `printf` and `scanf`. These functions are large and might not be suitable for embedded processors. The prototypes for these functions are available in the `stdio.h` file.

These I/O routines require that a newline is terminated with both a CR and LF. Ensure that your terminal CR/LF behavior corresponds to this requirement.

Note: The C standard I/O routines such as `printf`, `scanf`, `vfprintf` are, by default, line buffered. To change the buffering scheme to no buffering, you must call `setvbuf` appropriately. For example:

```
setvbuf (stdout, NULL, _IONBF, 0);
```

These I/O routines require that a newline is terminated with both a CR and LF. Ensure that your terminal CR/LF behavior corresponds to this requirement.

For more information on setting the standard input and standard output devices for a system, see *Embedded System Tools Reference Manual* (UG1043). In addition to the standard C functions, the Vitis IDE processors library provides the following smaller I/O functions:

Table 1: Quick Function Reference

Type	Name	Arguments
void	print	void
void	putnum	void
void	xil_printf	void

Functions

print

This function prints a string to the peripheral designated as standard output in the Microprocessor Software Specification (MSS) file. This function outputs the passed string as is and there is no interpretation of the string passed. For example, a `\n` passed is interpreted as a new line character and not as a carriage return and a new line as is the case with ANSI C `printf` function.

Prototype

```
void print(char *);
```

putnum

This function converts an integer to a hexadecimal string and prints it to the peripheral designated as standard output in the MSS file.

Prototype

```
void putnum(int);
```

xil_printf

`xil_printf()` is a light-weight implementation of `printf`. It is much smaller in size (only 1 Kb). It does not have support for floating point numbers. `xil_printf()` also does not support printing of long (such as 64-bit) numbers.

About format string support:

The format string is composed of zero or more directives: ordinary characters (not %), which are copied unchanged to the output stream; and conversion specifications, each of which results in fetching zero or more subsequent arguments. Each conversion specification is introduced by the character %, and ends with a conversion specifier.

In between there can be (in order) zero or more flags, an optional minimum field width and an optional precision. Supported flag characters are:

The character % is followed by zero or more of the following flags:

- 0 The value should be zero padded. For d, x conversions, the converted value is padded on the left with zeros rather than blanks. If the 0 and - flags both appear, the 0 flag is ignored.
- - The converted value is to be left adjusted on the field boundary. (The default is right justification.) Except for n conversions, the converted value is padded on the right with blanks, rather than on the left with blanks or zeros. A - overrides a 0 if both are given.

About supported field widths

Field widths are represented with an optional decimal digit string (with a nonzero in the first digit) specifying a minimum field width. If the converted value has fewer characters than the field width, it is padded with spaces on the left (or right, if the left-adjustment flag has been given).

The supported conversion specifiers are:

- d The int argument is converted to signed decimal notation.
- l The int argument is converted to a signed long notation.
- x The unsigned int argument is converted to unsigned hexadecimal notation. The letters abcdef are used for x conversions.
- c The int argument is converted to an unsigned char, and the resulting character is written.
- s The const char* argument is expected to be a pointer to an array of character type (pointer to a string).

Characters from the array are written up to (but not including) a terminating NULL character; if a precision is specified, no more than the number specified are written. If a precision s given, no null character need be present; if the precision is not specified, or is greater than the size of the array, the array must contain a terminating NULL character.

Prototype

```
void xil_printf(const *char ctrl1, ...);
```

Standalone Library v7.5

Xilinx Hardware Abstraction Layer APIs

Xilinx Hardware Abstraction Layer API

This section describes the Xilinx Hardware Abstraction Layer API, These APIs are applicable for all processors supported by Xilinx.

Assert APIs and Macros

This file contains basic assert related functions for Xilinx software IP.

The xil_assert.h file contains assert related functions and macros.

Assert APIs/Macros specifies that a application program satisfies certain conditions at particular points in its execution. These function can be used by application programs to ensure that, application code is satisfying certain conditions.

Table 2: Quick Function Reference

Type	Name	Arguments
void	Xil_Assert	const char8 * File s32 Line
void	Xil_AssertSetCallback	Xil_AssertCallback Routine
void	XNullHandler	void * NullParameter

Functions

Xil_Assert

Implement assert.

Currently, it calls a user-defined callback function if one has been set. Then, it potentially enters an infinite loop depending on the value of the `Xil_AssertWait` variable.

Note: None.

Prototype

```
void Xil_Assert(const char8 *File, s32 Line);
```

Parameters

The following table lists the `Xil_Assert` function arguments.

Table 3: Xil_Assert Arguments

Name	Description
File	filename of the source
Line	linenumber within File

Returns

None.

Xil_AssertSetCallback

Set up a callback function to be invoked when an assert occurs.

If a callback is already installed, then it will be replaced.

Note: This function has no effect if `NDEBUG` is set

Prototype

```
void Xil_AssertSetCallback(Xil_AssertCallback Routine);
```

Parameters

The following table lists the `Xil_AssertSetCallback` function arguments.

Table 4: Xil_AssertSetCallback Arguments

Name	Description
Routine	callback to be invoked when an assert is taken

Returns

None.

XNullHandler

Null handler function.

This follows the XInterruptHandler signature for interrupt handlers. It can be used to assign a null handler (a stub) to an interrupt controller vector table.

Note: None.

Prototype

```
void XNullHandler(void *NullParameter);
```

Parameters

The following table lists the XNullHandler function arguments.

Table 5: XNullHandler Arguments

Name	Description
NullParameter	arbitrary void pointer and not used.

Returns

None.

Definitions

#Define Xil_AssertVoid

Description

This assert macro is to be used for void functions.

This in conjunction with the Xil_AssertWait boolean can be used to accommodate tests so that asserts which fail allow execution to continue.

Parameters

The following table lists the Xil_AssertVoid function arguments.

Table 6: Xil_AssertVoid Arguments

Name	Description
Expression	expression to be evaluated. If it evaluates to false, the assert occurs.

Returns

Returns void unless the `Xil_AssertWait` variable is true, in which case no return is made and an infinite loop is entered.

#Define Xil_AssertNonvoid

Description

This assert macro is to be used for functions that do return a value.

This in conjunction with the `Xil_AssertWait` boolean can be used to accommodate tests so that asserts which fail allow execution to continue.

Parameters

The following table lists the `Xil_AssertNonvoid` function arguments.

Table 7: Xil_AssertNonvoid Arguments

Name	Description
Expression	expression to be evaluated. If it evaluates to false, the assert occurs.

Returns

Returns 0 unless the `Xil_AssertWait` variable is true, in which case no return is made and an infinite loop is entered.

#Define Xil_AssertVoidAlways

Description

Always assert.

This assert macro is to be used for void functions. Use for instances where an assert should always occur.

Returns

Returns void unless the `Xil_AssertWait` variable is true, in which case no return is made and an infinite loop is entered.

#Define Xil_AssertNonvoidAlways

Description

Always assert.

This assert macro is to be used for functions that do return a value. Use for instances where an assert should always occur.

Returns

Returns void unless the `Xil_AssertWait` variable is true, in which case no return is made and an infinite loop is entered.

Variables

u32 Xil_AssertStatus

This variable allows testing to be done easier with asserts. An assert sets this variable such that a driver can evaluate this variable to determine if an assert occurred.

s32 Xil_AssertWait

This variable allows the assert functionality to be changed for testing such that it does not wait infinitely. Use the debugger to disable the waiting during testing of asserts.

Register I/O interfacing APIs

The `xil_io.h` file contains the interface for the general I/O component, which encapsulates the Input/Output functions for the processors that do not require any special I/O handling.

Table 8: Quick Function Reference

Type	Name	Arguments
INLINE u16	Xil_In16BE	UINTPTR Addr
INLINE u32	Xil_In32BE	UINTPTR Addr
INLINE void	Xil_Out16BE	UINTPTR Addr u16 Value
INLINE void	Xil_Out32BE	UINTPTR Addr u32 Value
INLINE u16	Xil_In16LE	UINTPTR Addr
INLINE u32	Xil_In32LE	UINTPTR Addr
INLINE void	Xil_Out16LE	UINTPTR Addr u16 Value

Table 8: Quick Function Reference (cont'd)

Type	Name	Arguments
INLINE void	Xil_Out32LE	UINTPTR Addr u32 Value
INLINE u8	Xil_In8	UINTPTR Addr
INLINE u16	Xil_In16	UINTPTR Addr
INLINE u32	Xil_In32	UINTPTR Addr
INLINE u64	Xil_In64	UINTPTR Addr
INLINE void	Xil_Out8	UINTPTR Addr u8 Value
INLINE void	Xil_Out16	UINTPTR Addr u16 Value
INLINE void	Xil_Out32	UINTPTR Addr u32 Value
INLINE void	Xil_Out64	UINTPTR Addr u64 Value
INLINE int	Xil_SecureOut32	UINTPTR Addr u32 Value
u16	Xil_EndianSwap16	u16 Data
u32	Xil_EndianSwap32	u32 Data

Functions

Xil_In16BE

Perform an big-endian input operation for a 16-bit memory location by reading from the specified address and returning the value read from that address.

Prototype

```
INLINE u16 Xil_In16BE(UINTPTR Addr);
```

Parameters

The following table lists the `Xil_In16BE` function arguments.

Table 9: Xil_In16BE Arguments

Name	Description
Addr	contains the address at which to perform the input operation.

Returns

The value read from the specified input address with the proper endianness. The return value has the same endianness as that of the processor. For example, if the processor is little-endian, the return value is the byte-swapped value read from the address.

Xil_In32BE

Perform a big-endian input operation for a 32-bit memory location by reading from the specified address and returning the value read from that address.

Prototype

```
INLINE u32 Xil_In32BE(UINTPTR Addr);
```

Parameters

The following table lists the `Xil_In32BE` function arguments.

Table 10: Xil_In32BE Arguments

Name	Description
Addr	contains the address at which to perform the input operation.

Returns

The value read from the specified input address with the proper endianness. The return value has the same endianness as that of the processor. For example, if the processor is little-endian, the return value is the byte-swapped value read from the address.

Xil_Out16BE

Perform a big-endian output operation for a 16-bit memory location by writing the specified value to the specified address.

Prototype

```
INLINE void Xil_Out16BE(UINTPTR Addr, u16 Value);
```

Parameters

The following table lists the `Xil_Out16BE` function arguments.

Table 11: Xil_Out16BE Arguments

Name	Description
Addr	contains the address at which to perform the output operation.
Value	contains the value to be output at the specified address. The value has the same endianness as that of the processor. For example, if the processor is little-endian, the byteswapped value is written to the address.

Xil_Out32BE

Perform a big-endian output operation for a 32-bit memory location by writing the specified value to the specified address.

Prototype

```
INLINE void Xil_Out32BE(UINTPTR Addr, u32 Value);
```

Parameters

The following table lists the `Xil_Out32BE` function arguments.

Table 12: Xil_Out32BE Arguments

Name	Description
Addr	contains the address at which to perform the output operation.
Value	contains the value to be output at the specified address. The value has the same endianness as that of the processor. For example, if the processor is little-endian, the byteswapped value is written to the address.

Xil_In16LE

Perform a little-endian input operation for a 16-bit memory location by reading from the specified address and returning the value read from that address.

Prototype

```
INLINE u16 Xil_In16LE(UINTPTR Addr)[static];
```

Parameters

The following table lists the `Xil_In16LE` function arguments.

Table 13: Xil_In16LE Arguments

Name	Description
Addr	contains the address at which to perform the input operation.

Returns

The value read from the specified input address with the proper endianness. The return value has the same endianness as that of the processor. For example, if the processor is big-endian, the return value is the byte-swapped value read from the address.

Xil_In32LE

Perform a little-endian input operation for a 32-bit memory location by reading from the specified address and returning the value read from that address.

Prototype

```
INLINE u32 Xil_In32LE(UINTPTR Addr)[static];
```

Parameters

The following table lists the `Xil_In32LE` function arguments.

Table 14: Xil_In32LE Arguments

Name	Description
Addr	contains the address at which to perform the input operation.

Returns

The value read from the specified input address with the proper endianness. The return value has the same endianness as that of the processor. For example, if the processor is big-endian, the return value is the byte-swapped value read from the address.

Xil_Out16LE

Perform a little-endian output operation for a 16-bit memory location by writing the specified value to the specified address.

Prototype

```
INLINE void Xil_Out16LE(UINTPTR Addr, u16 Value)[static];
```

Parameters

The following table lists the `Xil_Out16LE` function arguments.

Table 15: Xil_Out16LE Arguments

Name	Description
Addr	contains the address at which to perform the input operation.
Value	contains the value to be output at the specified address. The value has the same endianness as that of the processor. For example, if the processor is big-endian, the byteswapped value is written to the address.

Xil_Out32LE

Perform a little-endian output operation for a 32-bit memory location by writing the specified value to the specified address.

Prototype

```
INLINE void Xil_Out32LE(UINTPTR Addr, u32 Value)[static];
```

Parameters

The following table lists the `Xil_Out32LE` function arguments.

Table 16: Xil_Out32LE Arguments

Name	Description
Addr	contains the address at which to perform the input operation.
Value	contains the value to be output at the specified address. The value has the same endianness as that of the processor. For example, if the processor is big-endian, the byteswapped value is written to the address

Xil_In8

Performs an input operation for a memory location by reading from the specified address and returning the 8 bit Value read from that address.

Prototype

```
INLINE u8 Xil_In8(UINTPTR Addr);
```

Parameters

The following table lists the `Xil_In8` function arguments.

Table 17: Xil_In8 Arguments

Name	Description
Addr	contains the address to perform the input operation

Returns

The 8 bit Value read from the specified input address.

Xil_In16

Performs an input operation for a memory location by reading from the specified address and returning the 16 bit Value read from that address.

Prototype

```
INLINE u16 Xil_In16(UINTPTR Addr);
```

Parameters

The following table lists the `Xil_In16` function arguments.

Table 18: Xil_In16 Arguments

Name	Description
Addr	contains the address to perform the input operation

Returns

The 16 bit Value read from the specified input address.

Xil_In32

Performs an input operation for a memory location by reading from the specified address and returning the 32 bit Value read from that address.

Prototype

```
INLINE u32 Xil_In32(UINTPTR Addr);
```

Parameters

The following table lists the `Xil_In32` function arguments.

Table 19: Xil_In32 Arguments

Name	Description
Addr	contains the address to perform the input operation

Returns

The 32 bit Value read from the specified input address.

Xil_In64

Performs an input operation for a memory location by reading the 64 bit Value read from that address.

Prototype

```
INLINE u64 Xil_In64(UINTPTR Addr);
```

Parameters

The following table lists the `Xil_In64` function arguments.

Table 20: Xil_In64 Arguments

Name	Description
Addr	contains the address to perform the input operation

Returns

The 64 bit Value read from the specified input address.

Xil_Out8

Performs an output operation for an memory location by writing the 8 bit Value to the the specified address.

Prototype

```
INLINE void Xil_Out8(UINTPTR Addr, u8 Value);
```

Parameters

The following table lists the `Xil_Out8` function arguments.

Table 21: Xil_Out8 Arguments

Name	Description
Addr	contains the address to perform the output operation
Value	contains the 8 bit Value to be written at the specified address.

Returns

None.

Xil_Out16

Performs an output operation for a memory location by writing the 16 bit Value to the the specified address.

Prototype

```
INLINE void Xil_Out16(UINTPTR Addr, u16 Value);
```

Parameters

The following table lists the `Xil_Out16` function arguments.

Table 22: Xil_Out16 Arguments

Name	Description
Addr	contains the address to perform the output operation
Value	contains the Value to be written at the specified address.

Returns

None.

Xil_Out32

Performs an output operation for a memory location by writing the 32 bit Value to the the specified address.

Prototype

```
INLINE void Xil_Out32(UINTPTR Addr, u32 Value);
```

Parameters

The following table lists the `Xil_Out32` function arguments.

Table 23: Xil_Out32 Arguments

Name	Description
Addr	contains the address to perform the output operation
Value	contains the 32 bit Value to be written at the specified address.

Returns

None.

Xil_Out64

Performs an output operation for a memory location by writing the 64 bit Value to the the specified address.

Prototype

```
INLINE void Xil_Out64(UINTPTR Addr, u64 Value);
```

Parameters

The following table lists the `Xil_Out64` function arguments.

Table 24: Xil_Out64 Arguments

Name	Description
Addr	contains the address to perform the output operation
Value	contains 64 bit Value to be written at the specified address.

Returns

None.

Xil_SecureOut32

Performs an output operation for a memory location by writing the 32 bit Value to the the specified address and then reading it back to verify the value written in the register.

Prototype

```
INLINE int Xil_SecureOut32(UINTPTR Addr, u32 Value);
```

Parameters

The following table lists the `Xil_SecureOut32` function arguments.

Table 25: Xil_SecureOut32 Arguments

Name	Description
Addr	contains the address to perform the output operation
Value	contains 32 bit Value to be written at the specified address

Returns

Returns Status

- XST_SUCCESS on success

- XST_FAILURE on failure

Xil_EndianSwap16

Perform a 16-bit endian conversion.

Prototype

```
u16 Xil_EndianSwap16(u16 Data) INLINE __attribute__((always_inline));
```

Parameters

The following table lists the `Xil_EndianSwap16` function arguments.

Table 26: Xil_EndianSwap16 Arguments

Name	Description
Data	16-bit value to be converted

Returns

16 bit Data with converted endianness

Xil_EndianSwap32

Perform a 32-bit endian conversion.

Prototype

```
u32 Xil_EndianSwap32(u32 Data) INLINE __attribute__((always_inline));
```

Parameters

The following table lists the `Xil_EndianSwap32` function arguments.

Table 27: Xil_EndianSwap32 Arguments

Name	Description
Data	32-bit value to be converted

Returns

32-bit data with converted endianness

Hardware Platform Information

This file contains information about hardware for which the code is built.

The xplatform_info.h file contains definitions for various available Xilinx platforms.

Also, it contains prototype of APIs, which can be used to get the platform information.

Table 28: Quick Function Reference

Type	Name	Arguments
u32	XGetPlatform_Info	void
u32	XGet_Zynq_UltraMp_Platform_info	void
u32	XGetPSVersion_Info	void

Functions

XGetPlatform_Info

This API is used to provide information about platform.

Prototype

```
u32 XGetPlatform_Info();
```

Returns

The information about platform defined in xplatform_info.h

XGet_Zynq_UltraMp_Platform_info

This API is used to provide information about zynq ultrascale MP platform.

Prototype

```
u32 XGet_Zynq_UltraMp_Platform_info();
```

Returns

The information about zynq ultrascale MP platform defined in xplatform_info.h

XGetPSVersion_Info

This API is used to provide information about PS Silicon version.

Prototype

```
u32 XGetPSVersion_Info();
```

Returns

The information about PS Silicon version.

Basic Data types for Xilinx Software IP

The `xil_types.h` file contains basic types for Xilinx software IP.

These data types are applicable for all processors supported by Xilinx.

Customized APIs for Memory Operations

The `xil_mem.h` file contains prototype for functions related to memory operations.

These APIs are applicable for all processors supported by Xilinx.

Table 29: Quick Function Reference

Type	Name	Arguments
void	Xil_MemCpy	void * dst const void * src u32 cnt

Functions

Xil_MemCpy

This function copies memory from once location to other.

Prototype

```
void Xil_MemCpy(void *dst, const void *src, u32 cnt);
```

Parameters

The following table lists the `Xil_MemCpy` function arguments.

Table 30: Xil_MemCpy Arguments

Name	Description
dst	pointer pointing to destination memory
src	pointer pointing to source memory
cnt	32 bit length of bytes to be copied

Definitions

#Define XIL_MEM_H

Description

Xilinx Software Status Codes

The xstatus.h file contains the Xilinx software status codes. These codes are used throughout the Xilinx device drivers.

Test Utilities for Memory and Caches

The xil_testcache.h, xil_testio.h and the xil_testmem.h files contain utility functions to test cache and memory.

Details of supported tests and subtests are listed below.

The xil_testcache.h file contains utility functions to test cache.

The xil_testio.h file contains utility functions to test endian related memory IO functions.

A subset of the memory tests can be selected or all of the tests can be run in order. If there is an error detected by a subtest, the test stops and the failure code is returned. Further tests are not run even if all of the tests are selected.

- Cache test: xil_testcache.h contains utility functions to test cache.
- I/O test: The Xil_testio.h file contains endian related memory IO functions. A subset of the memory tests can be selected or all of the tests can be run in order. If there is an error detected by a subtest, the test stops and the failure code is returned. Further tests are not run even if all of the tests are selected.
- Memory test: The xil_testmem.h file contains utility functions to test memory. A subset of the memory tests can be selected or all of the tests can be run in order. If there is an error detected by a subtest, the test stops and the failure code is returned. Further tests are not run even if all of the tests are selected.

Following list describes the supported memory tests:

- XIL_TESTMEM_ALLMEMTESTS: This test runs all of the subtests.
- XIL_TESTMEM_INCREMENT: This test starts at 'XIL_TESTMEM_INIT_VALUE' and uses the incrementing value as the test value for memory.

- **XIL_TESTMEM_WALKONES:** Also known as the Walking ones test. This test uses a walking '1' as the test value for memory.

```
location 1 = 0x00000001
location 2 = 0x00000002
...
```

- **XIL_TESTMEM_WALKZEROS:** Also known as the Walking zero's test. This test uses the inverse value of the walking ones test as the test value for memory.

```
location 1 = 0xFFFFFFFF
location 2 = 0xFFFFFFFFD
...
```

- **XIL_TESTMEM_INVERSEADDR:** Also known as the inverse address test. This test uses the inverse of the address of the location under test as the test value for memory.
- **XIL_TESTMEM_FIXEDPATTERN:** Also known as the fixed pattern test. This test uses the provided patters as the test value for memory. If zero is provided as the pattern the test uses '0xDEADBEEF'.



CAUTION! The tests are **DESTRUCTIVE**. Run before any initialized memory spaces have been set up. The address provided to the memory tests is not checked for validity except for the NULL case. It is possible to provide a code-space pointer for this test to start with and ultimately destroy executable code causing random failures.

Note: Used for spaces where the address range of the region is smaller than the data width. If the memory range is greater than 2^{**} width, the patterns used in XIL_TESTMEM_WALKONES and XIL_TESTMEM_WALKZEROS will repeat on a boundary of a power of two making it more difficult to detect addressing errors. The XIL_TESTMEM_INCREMENT and XIL_TESTMEM_INVERSEADDR tests suffer the same problem. Ideally, if large blocks of memory are to be tested, break them up into smaller regions of memory to allow the test patterns used not to repeat over the region tested.

Table 31: Quick Function Reference

Type	Name	Arguments
s32	Xil_TestMem32	u32 * Addr u32 Words u32 Pattern u8 Subtest
s32	Xil_TestMem16	u16 * Addr u32 Words u16 Pattern u8 Subtest
s32	Xil_TestMem8	u8 * Addr u32 Words u8 Pattern u8 Subtest

Table 31: Quick Function Reference (cont'd)

Type	Name	Arguments
u32	RotateLeft	u32 Input u8 Width
u32	RotateRight	u32 Input u8 Width
s32	Xil_TestDCacheRange	void
s32	Xil_TestDCacheAll	void
s32	Xil_TestICacheRange	void
s32	Xil_TestICacheAll	void
s32	Xil_TestIO8	u8 * Addr s32 Length u8 Value
s32	Xil_TestIO16	u16 * Addr s32 Length u16 Value s32 Kind s32 Swap
s32	Xil_TestIO32	u32 * Addr s32 Length u32 Value s32 Kind s32 Swap

Functions

Xil_TestMem32

Perform a destructive 32-bit wide memory test.

Note: Used for spaces where the address range of the region is smaller than the data width. If the memory range is greater than $2 \times \text{Width}$, the patterns used in XIL_TESTMEM_WALKONES and XIL_TESTMEM_WALKZEROS will repeat on a boundary of a power of two making it more difficult to detect addressing errors. The XIL_TESTMEM_INCREMENT and XIL_TESTMEM_INVERSEADDR tests suffer the same problem. Ideally, if large blocks of memory are to be tested, break them up into smaller regions of memory to allow the test patterns used not to repeat over the region tested.

Prototype

```
s32 Xil_TestMem32(u32 *Addr, u32 Words, u32 Pattern, u8 Subtest);
```

Parameters

The following table lists the `Xil_TestMem32` function arguments.

Table 32: Xil_TestMem32 Arguments

Name	Description
Addr	pointer to the region of memory to be tested.
Words	length of the block.
Pattern	constant used for the constant pattern test, if 0, 0xDEADBEEF is used.
Subtest	test type selected. See <code>xil_testmem.h</code> for possible values.

Returns

- 0 is returned for a pass
- 1 is returned for a failure

Xil_TestMem16

Perform a destructive 16-bit wide memory test.

Note: Used for spaces where the address range of the region is smaller than the data width. If the memory range is greater than 2^{**}Width , the patterns used in `XIL_TESTMEM_WALKONES` and `XIL_TESTMEM_WALKZEROS` will repeat on a boundary of a power of two making it more difficult to detect addressing errors. The `XIL_TESTMEM_INCREMENT` and `XIL_TESTMEM_INVERSEADDR` tests suffer the same problem. Ideally, if large blocks of memory are to be tested, break them up into smaller regions of memory to allow the test patterns used not to repeat over the region tested.

Prototype

```
s32 Xil_TestMem16(u16 *Addr, u32 Words, u16 Pattern, u8 Subtest);
```

Parameters

The following table lists the `Xil_TestMem16` function arguments.

Table 33: Xil_TestMem16 Arguments

Name	Description
Addr	pointer to the region of memory to be tested.
Words	length of the block.
Pattern	constant used for the constant Pattern test, if 0, 0xDEADBEEF is used.
Subtest	type of test selected. See <code>xil_testmem.h</code> for possible values.

Returns

Xil_TestMem8

Perform a destructive 8-bit wide memory test.

Note: Used for spaces where the address range of the region is smaller than the data width. If the memory range is greater than $2 \times \text{Width}$, the patterns used in XIL_TESTMEM_WALKONES and XIL_TESTMEM_WALKZEROS will repeat on a boundary of a power of two making it more difficult to detect addressing errors. The XIL_TESTMEM_INCREMENT and XIL_TESTMEM_INVERSEADDR tests suffer the same problem. Ideally, if large blocks of memory are to be tested, break them up into smaller regions of memory to allow the test patterns used not to repeat over the region tested.

Prototype

```
s32 Xil_TestMem8(u8 *Addr, u32 Words, u8 Pattern, u8 Subtest);
```

Parameters

The following table lists the Xil_TestMem8 function arguments.

Table 34: Xil_TestMem8 Arguments

Name	Description
Addr	pointer to the region of memory to be tested.
Words	length of the block.
Pattern	constant used for the constant pattern test, if 0, 0xDEADBEEF is used.
Subtest	type of test selected. See xil_testmem.h for possible values.

Returns

- -1 is returned for a failure
- 0 is returned for a pass

RotateLeft

Rotates the provided value to the left one bit position.

Prototype

```
u32 RotateLeft(u32 Input, u8 Width);
```

Parameters

The following table lists the RotateLeft function arguments.

Table 35: RotateLeft Arguments

Name	Description
Input	is value to be rotated to the left
Width	is the number of bits in the input data

Returns

The resulting unsigned long value of the rotate left

RotateRight

Rotates the provided value to the right one bit position.

Prototype

```
u32 RotateRight(u32 Input, u8 Width);
```

Parameters

The following table lists the `RotateRight` function arguments.

Table 36: RotateRight Arguments

Name	Description
Input	value to be rotated to the right
Width	number of bits in the input data

Returns

The resulting u32 value of the rotate right

Xil_TestDCacheRange

Perform DCache range related API test such as `Xil_DCacheFlushRange` and `Xil_DCacheInvalidateRange`.

This test function writes a constant value to the Data array, flushes the range, writes a new value, then invalidates the corresponding range.

Prototype

```
s32 Xil_TestDCacheRange(void);
```

Returns

- -1 is returned for a failure

- 0 is returned for a pass

Xil_TestDCacheAll

Perform DCache all related API test such as Xil_DCacheFlush and Xil_DCacheInvalidate.

This test function writes a constant value to the Data array, flushes the DCache, writes a new value, then invalidates the DCache.

Prototype

```
s32 Xil_TestDCacheAll(void);
```

Returns

- 0 is returned for a pass
- -1 is returned for a failure

Xil_TestICacheRange

Perform Xil_ICacheInvalidateRange() on a few function pointers.

Note: The function will hang if it fails.

Prototype

```
s32 Xil_TestICacheRange(void);
```

Returns

- 0 is returned for a pass

Xil_TestICacheAll

Perform Xil_ICacheInvalidate() on a few function pointers.

Note: The function will hang if it fails.

Prototype

```
s32 Xil_TestICacheAll(void);
```

Returns

- 0 is returned for a pass

Xil_TestIO8

Perform a destructive 8-bit wide register IO test where the register is accessed using Xil_Out8 and Xil_In8, and comparing the written values by reading them back.

Prototype

```
s32 Xil_TestIO8(u8 *Addr, s32 Length, u8 Value);
```

Parameters

The following table lists the Xil_TestIO8 function arguments.

Table 37: Xil_TestIO8 Arguments

Name	Description
Addr	a pointer to the region of memory to be tested.
Length	Length of the block.
Value	constant used for writing the memory.

Returns

- -1 is returned for a failure
- 0 is returned for a pass

Xil_TestIO16

Perform a destructive 16-bit wide register IO test.

Each location is tested by sequentially writing a 16-bit wide register, reading the register, and comparing value. This function tests three kinds of register IO functions, normal register IO, little-endian register IO, and big-endian register IO. When testing little/big-endian IO, the function performs the following sequence, Xil_Out16LE/Xil_Out16BE, Xil_In16, Compare In-Out values, Xil_Out16, Xil_In16LE/Xil_In16BE, Compare In-Out values. Whether to swap the read-in value before comparing is controlled by the 5th argument.

Prototype

```
s32 Xil_TestIO16(u16 *Addr, s32 Length, u16 Value, s32 Kind, s32 Swap);
```

Parameters

The following table lists the Xil_TestIO16 function arguments.

Table 38: Xil_TestIO16 Arguments

Name	Description
Addr	a pointer to the region of memory to be tested.
Length	Length of the block.
Value	constant used for writing the memory.
Kind	Type of test. Acceptable values are: XIL_TESTIO_DEFAULT, XIL_TESTIO_LE, XIL_TESTIO_BE.
Swap	indicates whether to byte swap the read-in value.

Returns

- -1 is returned for a failure
- 0 is returned for a pass

Xil_TestIO32

Perform a destructive 32-bit wide register IO test.

Each location is tested by sequentially writing a 32-bit wide register, reading the register, and comparing value. This function tests three kinds of register IO functions, normal register IO, little-endian register IO, and big-endian register IO. When testing little/big-endian IO, the function perform the following sequence, Xil_Out32LE/ Xil_Out32BE, Xil_In32, Compare, Xil_Out32, Xil_In32LE/Xil_In32BE, Compare. Whether to swap the read-in value *before comparing is controlled by the 5th argument.

Prototype

```
s32 Xil_TestIO32(u32 *Addr, s32 Length, u32 Value, s32 Kind, s32 Swap);
```

Parameters

The following table lists the `Xil_TestIO32` function arguments.

Table 39: Xil_TestIO32 Arguments

Name	Description
Addr	a pointer to the region of memory to be tested.
Length	Length of the block.
Value	constant used for writing the memory.
Kind	type of test. Acceptable values are: XIL_TESTIO_DEFAULT, XIL_TESTIO_LE, XIL_TESTIO_BE.
Swap	indicates whether to byte swap the read-in value.

Returns

- -1 is returned for a failure
- 0 is returned for a pass

MicroBlaze Processor APIs

MicroBlaze Processor API

This section provides a linked summary and detailed descriptions of the MicroBlaze Processor APIs.

MicroBlaze Pseudo-asm Macros and Interrupt Handling APIs

The MicroBlaze BSP includes macros to provide convenient access to various registers in the MicroBlaze processor. Some of these macros are very useful within exception handlers for retrieving information about the exception. Also, the interrupt handling functions help manage interrupt handling on MicroBlaze processor devices. To use these functions, include the header file `mb_interface.h` in your source code.

Table 40: Quick Function Reference

Type	Name	Arguments
void	microblaze_register_handler	XInterruptHandler Handler void * DataPtr
void	microblaze_register_exception_handler	u32 ExceptionId Top void * DataPtr

Functions

microblaze_register_handler

Registers a top-level interrupt handler for the MicroBlaze.

The argument provided in this call as the DataPtr is used as the argument for the handler when it is called.

Prototype

```
void microblaze_register_handler(XInterruptHandler Handler, void *DataPtr);
```

Parameters

The following table lists the `microblaze_register_handler` function arguments.

Table 41: microblaze_register_handler Arguments

Name	Description
Handler	Top level handler.
DataPtr	a reference to data that will be passed to the handler when it gets called.

Returns

None.

microblaze_register_exception_handler

Registers an exception handler for the MicroBlaze.

The argument provided in this call as the `DataPtr` is used as the argument for the handler when it is called.

Prototype

```
void microblaze_register_exception_handler(u32 ExceptionId,
Xil_ExceptionHandler Handler, void *DataPtr);
```

Parameters

The following table lists the `microblaze_register_exception_handler` function arguments.

Table 42: microblaze_register_exception_handler Arguments

Name	Description
ExceptionId	is the id of the exception to register this handler for.
Top	level handler.
DataPtr	is a reference to data that will be passed to the handler when it gets called.

Returns

None.

MicroBlaze Exception APIs

The `xil_exception.h` file, available in the `<install-directory>/src/microblaze` folder, contains Microblaze specific exception related APIs and macros.

Application programs can use these APIs for various exception related operations. For example, enable exception, disable exception, register exception handler.

Note: To use exception related functions, `xil_exception.h` must be added in source code

Table 43: Quick Function Reference

Type	Name	Arguments
void	Xil_ExceptionNullHandler	void * Data
void	Xil_ExceptionInit	void
void	Xil_ExceptionEnable	void
void	Xil_ExceptionDisable	void
void	Xil_ExceptionRegisterHandler	u32 Id Xil_ExceptionHandler Handler void * Data
void	Xil_ExceptionRemoveHandler	u32 Id

Functions

Xil_ExceptionNullHandler

This function is a stub handler that is the default handler that gets called if the application has not setup a handler for a specific exception.

The function interface has to match the interface specified for a handler even though none of the arguments are used.

Prototype

```
void Xil_ExceptionNullHandler(void *Data);
```

Parameters

The following table lists the `Xil_ExceptionNullHandler` function arguments.

Table 44: Xil_ExceptionNullHandler Arguments

Name	Description
Data	unused by this function.

Xil_ExceptionInit

Initialize exception handling for the processor.

The exception vector table is setup with the stub handler for all exceptions.

Prototype

```
void Xil_ExceptionInit(void);
```

Xil_ExceptionEnable

Enable Exceptions.

Prototype

```
void Xil_ExceptionEnable(void);
```

Xil_ExceptionDisable

Disable Exceptions.

Prototype

```
void Xil_ExceptionDisable(void);
```

Xil_ExceptionRegisterHandler

Makes the connection between the Id of the exception source and the associated handler that is to run when the exception is recognized.

The argument provided in this call as the DataPtr is used as the argument for the handler when it is called.

Prototype

```
void Xil_ExceptionRegisterHandler(u32 Id, Xil_ExceptionHandler Handler, void *Data);
```

Parameters

The following table lists the Xil_ExceptionRegisterHandler function arguments.

Table 45: Xil_ExceptionRegisterHandler Arguments

Name	Description
Id	contains the 32 bit ID of the exception source and should be XIL_EXCEPTION_INT or be in the range of 0 to XIL_EXCEPTION_LAST. See xil_mach_exception.h for further information.
Handler	handler function to be registered for exception
Data	a reference to data that will be passed to the handler when it gets called.

Xil_ExceptionRemoveHandler

Removes the handler for a specific exception Id.

The stub handler is then registered for this exception Id.

Prototype

```
void Xil_ExceptionRemoveHandler(u32 Id);
```

Parameters

The following table lists the `Xil_ExceptionRemoveHandler` function arguments.

Table 46: Xil_ExceptionRemoveHandler Arguments

Name	Description
Id	contains the 32 bit ID of the exception source and should be XIL_EXCEPTION_INT or in the range of 0 to XIL_EXCEPTION_LAST. See xexception_l.h for further information.

MicroBlaze Cache APIs

This contains implementation of cache related driver functions.

The `xil_cache.h` file contains cache related driver functions (or macros) that can be used to access the device.

The user should refer to the hardware device specification for more details of the device operation. The functions in this header file can be used across all Xilinx supported processors.

Table 47: Quick Function Reference

Type	Name	Arguments
void	Xil_DCacheDisable	void
void	Xil_ICacheDisable	void

Functions

Xil_DCacheDisable

Disable the data cache.

Prototype

```
void Xil_DCacheDisable(void);
```

Returns

None.

Xil_ICacheDisable

Disable the instruction cache.

Prototype

```
void Xil_ICacheDisable(void);
```

Returns

None.

Definitions

#Define Xil_L1DCacheInvalidate

Description

Invalidate the entire L1 data cache.

If the cacheline is modified (dirty), the modified contents are lost.

Note: Processor must be in real mode.

#Define Xil_L2CacheInvalidate

Description

Invalidate the entire L2 data cache.

If the cacheline is modified (dirty),the modified contents are lost.

Note: Processor must be in real mode.

#Define Xil_L1DCacheInvalidateRange

Description

Invalidate the L1 data cache for the given address range.

If the bytes specified by the address (Addr) are cached by the L1 data cache, the cacheline containing that byte is invalidated. If the cacheline is modified (dirty), the modified contents are lost.

Note: Processor must be in real mode.

Parameters

The following table lists the `Xil_L1DCacheInvalidateRange` function arguments.

Table 48: Xil_L1DCacheInvalidateRange Arguments

Name	Description
Addr	is address of range to be invalidated.
Len	is the length in bytes to be invalidated.

#Define Xil_L2CacheInvalidateRange

Description

Invalidate the L1 data cache for the given address range.

If the bytes specified by the address (Addr) are cached by the L1 data cache, the cacheline containing that byte is invalidated. If the cacheline is modified (dirty), the modified contents are lost.

Note: Processor must be in real mode.

Parameters

The following table lists the `Xil_L2CacheInvalidateRange` function arguments.

Table 49: Xil_L2CacheInvalidateRange Arguments

Name	Description
Addr	address of range to be invalidated.
Len	length in bytes to be invalidated.

#Define Xil_L1DCacheFlushRange

Description

Flush the L1 data cache for the given address range.

If the bytes specified by the address (Addr) are cached by the data cache, and is modified (dirty), the cacheline will be written to system memory. The cacheline will also be invalidated.

Parameters

The following table lists the `Xil_L1DCacheFlushRange` function arguments.

Table 50: Xil_L1DCacheFlushRange Arguments

Name	Description
Addr	the starting address of the range to be flushed.
Len	length in byte to be flushed.

#Define Xil_L2CacheFlushRange

Description

Flush the L2 data cache for the given address range.

If the bytes specified by the address (Addr) are cached by the data cache, and is modified (dirty), the cacheline will be written to system memory. The cacheline will also be invalidated.

Parameters

The following table lists the `Xil_L2CacheFlushRange` function arguments.

Table 51: Xil_L2CacheFlushRange Arguments

Name	Description
Addr	the starting address of the range to be flushed.
Len	length in byte to be flushed.

#Define Xil_L1DCacheFlush

Description

Flush the entire L1 data cache.

If any cacheline is dirty, the cacheline will be written to system memory. The entire data cache will be invalidated.

#Define Xil_L2CacheFlush

Description

Flush the entire L2 data cache.

If any cacheline is dirty, the cacheline will be written to system memory. The entire data cache will be invalidated.

#Define Xil_L1ICacheInvalidateRange

Description

Invalidate the instruction cache for the given address range.

Parameters

The following table lists the `Xil_L1ICacheInvalidateRange` function arguments.

Table 52: Xil_L1ICacheInvalidateRange Arguments

Name	Description
Addr	is address of range to be invalidated.
Len	is the length in bytes to be invalidated.

#Define Xil_L1ICacheInvalidate

Description

Invalidate the entire instruction cache.

#Define Xil_L1DCacheEnable

Description

Enable the L1 data cache.

Note: This is processor specific.

#Define Xil_L1DCacheDisable

Description

Disable the L1 data cache.

Note: This is processor specific.

#Define Xil_L1ICacheEnable

Description

Enable the instruction cache.

Note: This is processor specific.

#Define Xil_L1ICacheDisable

Description

Disable the L1 Instruction cache.

Note: This is processor specific.

#Define Xil_DCACHEEnable

Description

Enable the data cache.

#Define Xil_ICacheEnable

Description

Enable the instruction cache.

#Define Xil_DCACHEInvalidate

Description

Invalidate the entire Data cache.

#Define Xil_DCACHEInvalidateRange

Description

Invalidate the Data cache for the given address range.

If the bytes specified by the address (*adr*) are cached by the Data cache, the cacheline containing that byte is invalidated. If the cacheline is modified (dirty), the modified contents are lost and are NOT written to system memory before the line is invalidated.

Parameters

The following table lists the `Xil_DCACHEInvalidateRange` function arguments.

Table 53: Xil_DCacheInvalidateRange Arguments

Name	Description
Addr	Start address of range to be invalidated.
Len	Length of range to be invalidated in bytes.

#Define Xil_DCacheFlush

Description

Flush the entire Data cache.

#Define Xil_DCacheFlushRange

Description

Flush the Data cache for the given address range.

If the bytes specified by the address (adr) are cached by the Data cache, the cacheline containing that byte is invalidated. If the cacheline is modified (dirty), the written to system memory first before the before the line is invalidated.

Parameters

The following table lists the `Xil_DCacheFlushRange` function arguments.

Table 54: Xil_DCacheFlushRange Arguments

Name	Description
Addr	Start address of range to be flushed.
Len	Length of range to be flushed in bytes.

#Define Xil_ICacheInvalidate

Description

Invalidate the entire instruction cache.

MicroBlaze Processor FSL Macros

Microblaze BSP includes macros to provide convenient access to accelerators connected to the MicroBlaze Fast Simplex Link (FSL) Interfaces. To use these functions, include the header file `fsl.h` in your source code.

Definitions

#Define getfslx

Description

Performs a get function on an input FSL of the MicroBlaze processor.

Parameters

The following table lists the `getfslx` function arguments.

Table 55: `getfslx` Arguments

Name	Description
val	variable to sink data from get function
id	literal in the range of 0 to 7 (0 to 15 for MicroBlaze v7.00.a and later)
flags	valid FSL macro flags

#Define putfslx

Description

Performs a put function on an input FSL of the MicroBlaze processor.

Parameters

The following table lists the `putfslx` function arguments.

Table 56: `putfslx` Arguments

Name	Description
val	variable to source data to put function
id	literal in the range of 0 to 7 (0 to 15 for MicroBlaze v7.00.a and later)
flags	valid FSL macro flags

#Define tgetfslx

Description

Performs a test get function on an input FSL of the MicroBlaze processor.

Parameters

The following table lists the `tgetfslx` function arguments.

Table 57: tgetfslx Arguments

Name	Description
val	variable to sink data from get function
id	literal in the range of 0 to 7 (0 to 15 for MicroBlaze v7.00.a and later)
flags	valid FSL macro flags

#Define tputfslx

Description

Performs a put function on an input FSL of the MicroBlaze processor.

Parameters

The following table lists the `tputfslx` function arguments.

Table 58: tputfslx Arguments

Name	Description
id	FSL identifier
flags	valid FSL macro flags

#Define getdfslix

Description

Performs a getd function on an input FSL of the MicroBlaze processor.

Parameters

The following table lists the `getdfslix` function arguments.

Table 59: getdfslix Arguments

Name	Description
val	variable to sink data from getd function
var	literal in the range of 0 to 7 (0 to 15 for MicroBlaze v7.00.a and later)
flags	valid FSL macro flags

#Define putdfslix

Description

Performs a putd function on an input FSL of the MicroBlaze processor.

Parameters

The following table lists the `putdfs1x` function arguments.

Table 60: putdfs1x Arguments

Name	Description
val	variable to source data to putd function
var	literal in the range of 0 to 7 (0 to 15 for MicroBlaze v7.00.a and later)
flags	valid FSL macro flags

#Define tgetdfs1x

Description

Performs a test getd function on an input FSL of the MicroBlaze processor;

Parameters

The following table lists the `tgetdfs1x` function arguments.

Table 61: tgetdfs1x Arguments

Name	Description
val	variable to sink data from getd function
var	literal in the range of 0 to 7 (0 to 15 for MicroBlaze v7.00.a and later)
flags	valid FSL macro flags

#Define tputdfs1x

Description

Performs a put function on an input FSL of the MicroBlaze processor.

Parameters

The following table lists the `tputdfs1x` function arguments.

Table 62: tputdfs1x Arguments

Name	Description
var	FSL identifier
flags	valid FSL macro flags

MicroBlaze PVR Access Routines and Macros

The MicroBlaze processor v5.00.a and later versions have configurable Processor Version Registers (PVRs). The contents of the PVR are captured using the `pvr_t` data structure, which is defined as an array of 32-bit words, with each word corresponding to a PVR register on hardware. The number of PVR words is determined by the number of PVRs configured in the hardware. You should not attempt to access PVR registers that are not present in hardware, as the `pvr_t` data structure is resized to hold only as many PVRs as are present in hardware. To access information in the PVR:

1. Use the `microblaze_get_pvr()` function to populate the PVR data into a `pvr_t` data structure.
2. In subsequent steps, you can use any one of the PVR access macros list to get individual data stored in the PVR.

Note: The `pvr.h` header file must be included to source to use PVR macros.

Table 63: Quick Function Reference

Type	Name	Arguments
int	<code>microblaze_get_pvr</code>	pvr-

Functions

microblaze_get_pvr

Populate the PVR data structure to which `pvr` points, with the values of the hardware PVR registers.

Prototype

```
int microblaze_get_pvr(pvr_t *pvr);
```

Parameters

The following table lists the `microblaze_get_pvr` function arguments.

Table 64: `microblaze_get_pvr` Arguments

Name	Description
pvr-	address of PVR data structure to be populated

Returns

0 - SUCCESS -1 - FAILURE

Definitions

#Define MICROBLAZE_PVR_IS_FULL

Description

Return non-zero integer if PVR is of type FULL, 0 if basic.

Parameters

The following table lists the MICROBLAZE_PVR_IS_FULL function arguments.

Table 65: MICROBLAZE_PVR_IS_FULL Arguments

Name	Description
_pvr	pvr data structure

#Define MICROBLAZE_PVR_USE_BARREL

Description

Return non-zero integer if hardware barrel shifter present.

Parameters

The following table lists the MICROBLAZE_PVR_USE_BARREL function arguments.

Table 66: MICROBLAZE_PVR_USE_BARREL Arguments

Name	Description
_pvr	pvr data structure

#Define MICROBLAZE_PVR_USE_DIV

Description

Return non-zero integer if hardware divider present.

Parameters

The following table lists the MICROBLAZE_PVR_USE_DIV function arguments.

Table 67: MICROBLAZE_PVR_USE_DIV Arguments

Name	Description
_pvr	pvr data structure

#Define MICROBLAZE_PVR_USE_HW_MUL

Description

Return non-zero integer if hardware multiplier present.

Parameters

The following table lists the MICROBLAZE_PVR_USE_HW_MUL function arguments.

Table 68: MICROBLAZE_PVR_USE_HW_MUL Arguments

Name	Description
_pvr	pvr data structure

#Define MICROBLAZE_PVR_USE_FPU

Description

Return non-zero integer if hardware floating point unit (FPU) present.

Parameters

The following table lists the MICROBLAZE_PVR_USE_FPU function arguments.

Table 69: MICROBLAZE_PVR_USE_FPU Arguments

Name	Description
_pvr	pvr data structure

#Define MICROBLAZE_PVR_USE_ICACHE

Description

Return non-zero integer if I-cache present.

Parameters

The following table lists the MICROBLAZE_PVR_USE_ICACHE function arguments.

Table 70: MICROBLAZE_PVR_USE_ICACHE Arguments

Name	Description
_pvr	pvr data structure

#Define MICROBLAZE_PVR_USE_DCACHE

Description

Return non-zero integer if D-cache present.

Parameters

The following table lists the MICROBLAZE_PVR_USE_DCACHE function arguments.

Table 71: MICROBLAZE_PVR_USE_DCACHE Arguments

Name	Description
_pvr	pvr data structure

Sleep Routines for MicroBlaze Processor

The `microblaze_sleep.h` file contains MicroBlaze sleep APIs. These APIs provides delay for requested duration.

Note: The `microblaze_sleep.h` file may contain architecture-dependent items.

Table 72: Quick Function Reference

Type	Name	Arguments
u32	Xil_SetMBFrequency	u32 Val
u32	Xil_GetMBFrequency	void
void	MB_Sleep	Milliseconds-

Functions

Xil_SetMBFrequency

Sets variable which stores Microblaze frequency value.

Note: It must be called after runtime change in Microblaze frequency, failing to do so would result in to incorrect behavior of sleep routines

Prototype

```
u32 Xil_SetMBFrequency(u32 Val);
```

Parameters

The following table lists the `Xil_SetMBFrequency` function arguments.

Table 73: Xil_SetMBFrequency Arguments

Name	Description
Val	- Frequency value to be set

Returns

XST_SUCCESS - If frequency updated successfully
 XST_INVALID_PARAM - If specified frequency value is not valid

Xil_GetMBFrequency

Returns current Microblaze frequency value.

Prototype

```
u32 Xil_GetMBFrequency();
```

Returns

MBFreq - Current Microblaze frequency value

MB_Sleep

Provides delay for requested duration.

Note: Instruction cache should be enabled for this to work.

Prototype

```
void MB_Sleep(u32 MilliSeconds) __attribute__((__deprecated__));
```

Parameters

The following table lists the `MB_Sleep` function arguments.

Table 74: MB_Sleep Arguments

Name	Description
MilliSeconds-	Delay time in milliseconds.

Returns

None.

Arm Processor Common APIs

This section provides a linked summary and detailed descriptions of the Arm Processor Common APIs.

Arm Processor Exception Handling

Arm processors specific exception related APIs for Arm Cortex-A53, Cortex-A9, and Cortex-R5F can utilized for enabling/disabling IRQ, registering/removing handler for exceptions or initializing exception vector table with null handler.

Table 75: Quick Function Reference

Type	Name	Arguments
void	Xil_ExceptionRegisterHandler	u32 Exception_id Xil_ExceptionHandler Handler void * Data
void	Xil_ExceptionRemoveHandler	u32 Exception_id
void	Xil_GetExceptionRegisterHandler	u32 Exception_id Xil_ExceptionHandler * Handler void ** Data
void	Xil_ExceptionInit	void
void	Xil_DataAbortHandler	void
void	Xil_PrefetchAbortHandler	void
void	Xil_UndefinedExceptionHandler	void

Functions

Xil_ExceptionRegisterHandler

Register a handler for a specific exception.

This handler is being called when the processor encounters the specified exception.

Prototype

```
void Xil_ExceptionRegisterHandler(u32 Exception_id, Xil_ExceptionHandler
Handler, void *Data);
```

Parameters

The following table lists the `Xil_ExceptionRegisterHandler` function arguments.

Table 76: Xil_ExceptionRegisterHandler Arguments

Name	Description
Exception_id	contains the ID of the exception source and should be in the range of 0 to XIL_EXCEPTION_ID_LAST. See <code>xil_exception.h</code> for further information.
Handler	to the Handler for that exception.
Data	is a reference to Data that will be passed to the Handler when it gets called.

Returns

None.

Xil_ExceptionRemoveHandler

Removes the handler for a specific exception Id.

The stub handler is then registered for this exception Id.

Prototype

```
void Xil_ExceptionRemoveHandler(u32 Exception_id);
```

Parameters

The following table lists the `Xil_ExceptionRemoveHandler` function arguments.

Table 77: Xil_ExceptionRemoveHandler Arguments

Name	Description
Exception_id	contains the ID of the exception source and should be in the range of 0 to XIL_EXCEPTION_ID_LAST. See <code>xil_exception.h</code> for further information.

Returns

None.

Xil_GetExceptionRegisterHandler

Get a handler for a specific exception.

This handler is being called when the processor encounters the specified exception.

Prototype

```
void Xil_GetExceptionRegisterHandler(u32 Exception_id, Xil_ExceptionHandler
*Handler, void **Data);
```

Parameters

The following table lists the `Xil_GetExceptionRegisterHandler` function arguments.

Table 78: Xil_GetExceptionRegisterHandler Arguments

Name	Description
Exception_id	contains the ID of the exception source and should be in the range of 0 to XIL_EXCEPTION_ID_LAST. See <code>xil_exception.h</code> for further information.
Handler	to the Handler for that exception.
Data	is a reference to Data that will be passed to the Handler when it gets called.

Returns

None.

Xil_ExceptionInit

The function is a common API used to initialize exception handlers across all supported arm processors.

For Arm Cortex-A53, Cortex-R5F, and Cortex-A9, the exception handlers are being initialized statically and this function does not do anything. However, it is still present to take care of backward compatibility issues (in earlier versions of BSPs, this API was being used to initialize exception handlers).

Prototype

```
void Xil_ExceptionInit(void);
```

Returns

None.

Xil_DataAbortHandler

Default Data abort handler which prints data fault status register through which information about data fault can be acquired.

Prototype

```
void Xil_DataAbortHandler(void *CallBackRef);
```

Returns

None.

Xil_PrefetchAbortHandler

Default Prefetch abort handler which prints prefetch fault status register through which information about instruction prefetch fault can be acquired.

Prototype

```
void Xil_PrefetchAbortHandler(void *CallBackRef);
```

Returns

None.

Xil_UndefinedExceptionHandler

Default undefined exception handler which prints address of the undefined instruction if debug prints are enabled.

Prototype

```
void Xil_UndefinedExceptionHandler(void *CallBackRef);
```

Returns

None.

Definitions

Define Xil_ExceptionEnableMask

Definition

```
#define Xil_ExceptionEnableMask { \
    register u32 Reg __asm("cpsr"); \
    mtcpsr((Reg) & (~((Mask) & XIL_EXCEPTION_ALL))); \
}
```

Description

Enable Exceptions.

Note: If bit is 0, exception is enabled. C-Style signature: `void Xil_ExceptionEnableMask(Mask)`

Define Xil_ExceptionEnable

Definition

```
#define Xil_ExceptionEnable
    Xil_ExceptionEnableMask
    (XIL_EXCEPTION_IRQ)
```

Description

Enable the IRQ exception.

Note: None.

Define Xil_ExceptionDisableMask

Definition

```
#define Xil_ExceptionDisableMask
{
    register u32 Reg __asm("cpsr"); \
    mtcpsr((Reg) | ((Mask) & XIL_EXCEPTION_ALL)); \
}
```

Description

Disable Exceptions.

Note: If bit is 1, exception is disabled. C-Style signature: `Xil_ExceptionDisableMask(Mask)`

Define Xil_ExceptionDisable

Definition

```
#define Xil_ExceptionDisable
    Xil_ExceptionDisableMask
    (XIL_EXCEPTION_IRQ)
```

Description

Disable the IRQ exception.

Note: None.

Define Xil_EnableNestedInterrupts

Definition

```
#define Xil_EnableNestedInterrupts      __asm__ __volatile__ ("stmfd
sp!, {lr}"); \
    __asm__ __volatile__ ("mrs      lr, spsr"); \
    __asm__ __volatile__ ("stmfd  sp!, {lr}"); \
    __asm__ __volatile__ ("msr    cpsr_c, #0x1F"); \
    __asm__ __volatile__ ("stmfd  sp!, {lr}");
```

Description

Enable nested interrupts by clearing the I and F bits in CPSR.

This API is defined for Cortex-A9 and Cortex-R5F.

Note: This macro is supposed to be used from interrupt handlers. In the interrupt handler the interrupts are disabled by default (I and F are 1). To allow nesting of interrupts, this macro should be used. It clears the I and F bits by changing the ARM mode to system mode. Once these bits are cleared and provided the preemption of interrupt conditions are met in the GIC, nesting of interrupts will start happening. Caution: This macro must be used with caution. Before calling this macro, the user must ensure that the source of the current IRQ is appropriately cleared. Otherwise, as soon as we clear the I and F bits, there can be an infinite loop of interrupts with an eventual crash (all the stack space getting consumed).

Define Xil_DisableNestedInterrupts

Definition

```
#define Xil_DisableNestedInterrupts    __asm__ __volatile__ ("ldmfd
sp!, {lr}"); \
    __asm__ __volatile__ ("msr    cpsr_c, #0x92"); \
    __asm__ __volatile__ ("ldmfd  sp!, {lr}"); \
    __asm__ __volatile__ ("msr    spsr_cxsf, lr"); \
    __asm__ __volatile__ ("ldmfd  sp!, {lr}");
```

Description

Disable the nested interrupts by setting the I and F bits.

This API is defined for Cortex-A9 and Cortex-R5F.

Note: This macro is meant to be called in the interrupt service routines. This macro cannot be used independently. It can only be used when nesting of interrupts have been enabled by using the macro [Xil_EnableNestedInterrupts\(\)](#). In a typical flow, the user first calls the `Xil_EnableNestedInterrupts` in the ISR at the appropriate point. The user then must call this macro before exiting the interrupt service routine. This macro puts the ARM back in IRQ/FIQ mode and hence sets back the I and F bits.

Arm Cortex-R5F Processor APIs

Arm Cortex-R5F Processor API

Standalone BSP contains boot code, cache, exception handling, file and memory management, configuration, time and processor-specific include functions.

It supports gcc compiler. This section provides a linked summary and detailed descriptions of the Arm Cortex-R5F processor APIs.

Arm Cortex-R5F Processor Boot Code

The boot.S file contains a minimal set of code for transferring control from the processor reset location of the processor to the start of the application. The boot code performs minimum configuration which is required for an application to run starting from reset state of the processor. Below is a sequence illustrating what all configuration is performed before control reaches to main function.

1. Program vector table base for exception handling
2. Program stack pointer for various modes (IRQ, FIQ, supervisor, undefine, abort, system)
3. Disable instruction cache, data cache and MPU
4. Invalidate instruction and data cache
5. Configure MPU with short descriptor translation table format and program base address of translation table
6. Enable data cache, instruction cache and MPU
7. Enable Floating point unit
8. Transfer control to `_start` which clears BSS sections and jumping to main application

Arm Cortex-R5F Processor MPU specific APIs

MPU functions provides access to MPU operations such as enable MPU, disable MPU and set attribute for section of memory.

Boot code invokes `Init_MPU` function to configure the MPU. A total of 10 MPU regions are allocated with another 6 being free for users. Overview of the memory attributes for different MPU regions is as given below,

	Memory Range	Attributes of MPURegion
DDR	0x00000000 - 0x7FFFFFFF	Normal write-back Cacheable

	Memory Range	Attributes of MPURegion
PL	0x80000000 - 0xBFFFFFFF	Strongly Ordered
QSPI	0xC0000000 - 0xDFFFFFFF	Device Memory
PCIe	0xE0000000 - 0xEFFFFFFF	Device Memory
STM_CORESIGHT	0xF8000000 - 0xF8FFFFFF	Device Memory
RPU_R5_GIC	0xF9000000 - 0xF9FFFFFF	Device memory
FPS	0xFD000000 - 0xFDFFFFFFFF	Device Memory
LPS	0xFE000000 - 0xFEFFFFFF	Device Memory
OCM	0xFFFC0000 - 0xFFFFFFFF	Normal write-back Cacheable

Note: For a system where DDR is less than 2GB, region after DDR and before PL is marked as undefined in translation table. Memory range 0xFE000000-0xFEFFFFFF is allocated for upper LPS slaves, where as memory region 0xFF000000-0xFFFFFFFF is allocated for lower LPS slaves.

Table 79: Quick Function Reference

Type	Name	Arguments
void	Xil_SetTlbAttributes	addr u32 attrib
void	Xil_EnableMPU	void
void	Xil_DisableMPU	void
u32	Xil_SetMPURegion	INTPTR addr u64 size u32 attrib
u32	Xil_UpdateMPUConfig	u32 reg_num INTPTR address u32 size u32 attrib
void	Xil_GetMPUConfig	XMpu_Config mpuconfig
u32	Xil_GetNumOfFreeRegions	void
u32	Xil_GetNextMPURegion	void
u32	Xil_DisableMPURegionByRegNum	u32 reg_num
u16	Xil_GetMPUFreeRegMask	void

Table 79: Quick Function Reference (cont'd)

Type	Name	Arguments
u32	Xil_SetMPURegionByRegNum	u32 reg_num INTPTR addr u64 size u32 attrib
void *	Xil_MemMap	UINTPTR Physaddr size_t size u32 flags

Functions

Xil_SetTlbAttributes

This function sets the memory attributes for a section covering 1MB, of memory in the translation table.

Prototype

```
void Xil_SetTlbAttributes(INTPTR Addr, u32 attrib);
```

Parameters

The following table lists the `Xil_SetTlbAttributes` function arguments.

Table 80: Xil_SetTlbAttributes Arguments

Name	Description
addr	32-bit address for which memory attributes need to be set.
attrib	Attribute for the given memory region.

Returns

None.

Xil_EnableMPU

Enable MPU for Cortex-R5F processor.

This function invalidates I cache and flush the D Caches, and then enables the MPU.

Prototype

```
void Xil_EnableMPU(void);
```

Returns

None.

Xil_DisableMPU

Disable MPU for Cortex-R5F processors.

This function invalidates I cache and flush the D Caches, and then disables the MPU.

Prototype

```
void Xil_DisableMPU(void);
```

Returns

None.

Xil_SetMPURegion

Set the memory attributes for a section of memory in the translation table.

Prototype

```
u32 Xil_SetMPURegion(INTPTR addr, u64 size, u32 attrib);
```

Parameters

The following table lists the `Xil_SetMPURegion` function arguments.

Table 81: Xil_SetMPURegion Arguments

Name	Description
addr	32-bit address for which memory attributes need to be set..
size	size is the size of the region.
attrib	Attribute for the given memory region.

Returns

None.

Xil_UpdateMPUConfig

Update the MPU configuration for the requested region number in the global MPU configuration table.

Prototype

```
u32 Xil_UpdateMPUConfig(u32 reg_num, INTPTR address, u32 size, u32 attrib);
```

Parameters

The following table lists the `Xil_UpdateMPUConfig` function arguments.

Table 82: Xil_UpdateMPUConfig Arguments

Name	Description
reg_num	The requested region number to be updated information for.
address	32 bit address for start of the region.
size	Requested size of the region.
attrib	Attribute for the corresponding region.

Returns

XST_FAILURE: When the requested region number is 16 or more. XST_SUCCESS: When the MPU configuration table is updated.

Xil_GetMPUConfig

The MPU configuration table is passed to the caller.

Prototype

```
void Xil_GetMPUConfig(XMpu_Config mpuconfig);
```

Parameters

The following table lists the `Xil_GetMPUConfig` function arguments.

Table 83: Xil_GetMPUConfig Arguments

Name	Description
mpuconfig	This is of type XMpu_Config which is an array of 16 entries of type structure representing the MPU config table

Returns

none

Xil_GetNumOfFreeRegions

Returns the total number of free MPU regions available.

Prototype

```
u32 Xil_GetNumOfFreeRegions(void);
```

Returns

Number of free regions available to users

Xil_GetNextMPURegion

Returns the next available free MPU region.

Prototype

```
u32 Xil_GetNextMPURegion(void);
```

Returns

The free MPU region available

Xil_DisableMPURegionByRegNum

Disables the corresponding region number as passed by the user.

Prototype

```
u32 Xil_DisableMPURegionByRegNum(u32 reg_num);
```

Parameters

The following table lists the `Xil_DisableMPURegionByRegNum` function arguments.

Table 84: Xil_DisableMPURegionByRegNum Arguments

Name	Description
reg_num	The region number to be disabled

Returns

XST_SUCCESS: If the region could be disabled successfully
 XST_FAILURE: If the requested region number is 16 or more.

Xil_GetMPUFreeRegMask

Returns the total number of free MPU regions available in the form of a mask.

A bit of 1 in the returned 16 bit value represents the corresponding region number to be available. For example, if this function returns 0xC0000, this would mean, the regions 14 and 15 are available to users.

Prototype

```
u16 Xil_GetMPUFreeRegMask(void);
```

Returns

The free region mask as a 16 bit value

Xil_SetMPURegionByRegNum

Enables the corresponding region number as passed by the user.

Prototype

```
u32 Xil_SetMPURegionByRegNum(u32 reg_num, INTPTR addr, u64 size, u32 attrib);
```

Parameters

The following table lists the `Xil_SetMPURegionByRegNum` function arguments.

Table 85: Xil_SetMPURegionByRegNum Arguments

Name	Description
reg_num	The region number to be enabled
addr	32 bit address for start of the region.
size	Requested size of the region.
attrib	Attribute for the corresponding region.

Returns

XST_SUCCESS: If the region could be created successfully XST_FAILURE: If the requested region number is 16 or more.

Xil_MemMap

Memory mapping for Cortex-R5F.

Note: : `u32overflow()` is defined for readability and (for **GNUC**) to

- force the type of the check to be the same as the first argument
- hide the otherwise unused third argument of the builtin

- improve safety by choosing the explicit *uadd* version. Consider `__builtin_add_overflow_p()` when available. Use an alternative (less optimal?) for compilers w/o the builtin.

Prototype

```
void * Xil_MemMap(UINTPTR Physaddr, size_t size, u32 flags);
```

Parameters

The following table lists the `Xil_MemMap` function arguments.

Table 86: Xil_MemMap Arguments

Name	Description
Physaddr	is base physical address at which to start mapping. NULL in Physaddr masks possible mapping errors.
size	of region to be mapped.
flags	used to set translation table.

Returns

Physaddr on success, NULL on error. Ambiguous if Physaddr==NULL

Arm Cortex-R5F Processor Cache Functions

Cache functions provide access to cache related operations such as flush and invalidate for instruction and data caches.

It gives option to perform the cache operations on a single cacheline, a range of memory and an entire cache.

Table 87: Quick Function Reference

Type	Name	Arguments
void	Xil_DCacheEnable	void
void	Xil_DCacheDisable	void
void	Xil_DCacheInvalidate	void
void	Xil_DCacheInvalidateRange	INTPTR adr u32 len
void	Xil_DCacheFlush	void

Table 87: Quick Function Reference (cont'd)

Type	Name	Arguments
void	Xil_DCacheFlushRange	INTPTR adr u32 len
void	Xil_DCacheInvalidateLine	INTPTR adr
void	Xil_DCacheFlushLine	INTPTR adr
void	Xil_DCacheStoreLine	INTPTR adr
void	Xil_ICacheEnable	void
void	Xil_ICacheDisable	void
void	Xil_ICacheInvalidate	void
void	Xil_ICacheInvalidateRange	INTPTR adr u32 len
void	Xil_ICacheInvalidateLine	INTPTR adr

Functions

Xil_DCacheEnable

Enable the Data cache.

Prototype

```
void Xil_DCacheEnable(void);
```

Returns

None.

Xil_DCacheDisable

Disable the Data cache.

Prototype

```
void Xil_DCacheDisable(void);
```

Returns

None.

Xil_DCacheInvalidate

Invalidate the entire Data cache.

Prototype

```
void Xil_DCacheInvalidate(void);
```

Returns

None.

Xil_DCacheInvalidateRange

Invalidate the Data cache for the given address range.

If the bytes specified by the address (*adr*) are cached by the Data cache, the cacheline containing that byte is invalidated. If the cacheline is modified (dirty), the modified contents are lost and are NOT written to system memory before the line is invalidated.

Prototype

```
void Xil_DCacheInvalidateRange(INTPTR adr, u32 len);
```

Parameters

The following table lists the `Xil_DCacheInvalidateRange` function arguments.

Table 88: Xil_DCacheInvalidateRange Arguments

Name	Description
<code>adr</code>	32bit start address of the range to be invalidated.
<code>len</code>	Length of range to be invalidated in bytes.

Returns

None.

Xil_DCacheFlush

Flush the entire Data cache.

Prototype

```
void Xil_DCacheFlush(void);
```

Returns

None.

Xil_DCacheFlushRange

Flush the Data cache for the given address range.

If the bytes specified by the address (adr) are cached by the Data cache, the cacheline containing those bytes is invalidated. If the cacheline is modified (dirty), the written to system memory before the lines are invalidated.

Prototype

```
void Xil_DCacheFlushRange(INTPTR adr, u32 len);
```

Parameters

The following table lists the `Xil_DCacheFlushRange` function arguments.

Table 89: Xil_DCacheFlushRange Arguments

Name	Description
adr	32bit start address of the range to be flushed.
len	Length of the range to be flushed in bytes

Returns

None.

Xil_DCacheInvalidateLine

Invalidate a Data cache line.

If the byte specified by the address (adr) is cached by the data cache, the cacheline containing that byte is invalidated. If the cacheline is modified (dirty), the modified contents are lost and are NOT written to system memory before the line is invalidated.

Note: The bottom 4 bits are set to 0, forced by architecture.

Prototype

```
void Xil_DCacheInvalidateLine(INTPTR adr);
```

Parameters

The following table lists the `Xil_DCacheInvalidateLine` function arguments.

Table 90: Xil_DCacheInvalidateLine Arguments

Name	Description
adr	32bit address of the data to be flushed.

Returns

None.

Xil_DCacheFlushLine

Flush a Data cache line.

If the byte specified by the address (adr) is cached by the Data cache, the cacheline containing that byte is invalidated. If the cacheline is modified (dirty), the entire contents of the cacheline are written to system memory before the line is invalidated.

Note: The bottom 4 bits are set to 0, forced by architecture.

Prototype

```
void Xil_DCacheFlushLine(INTPTR adr);
```

Parameters

The following table lists the `Xil_DCacheFlushLine` function arguments.

Table 91: Xil_DCacheFlushLine Arguments

Name	Description
adr	32bit address of the data to be flushed.

Returns

None.

Xil_DCacheStoreLine

Store a Data cache line.

If the byte specified by the address (adr) is cached by the Data cache and the cacheline is modified (dirty), the entire contents of the cacheline are written to system memory. After the store completes, the cacheline is marked as unmodified (not dirty).

Note: The bottom 4 bits are set to 0, forced by architecture.

Prototype

```
void Xil_DCacheStoreLine(INTPTR adr);
```

Parameters

The following table lists the `Xil_DCacheStoreLine` function arguments.

Table 92: Xil_DCacheStoreLine Arguments

Name	Description
adr	32bit address of the data to be stored

Returns

None.

Xil_ICacheEnable

Enable the instruction cache.

Prototype

```
void Xil_ICacheEnable(void);
```

Returns

None.

Xil_ICacheDisable

Disable the instruction cache.

Prototype

```
void Xil_ICacheDisable(void);
```

Returns

None.

Xil_ICacheInvalidate

Invalidate the entire instruction cache.

Prototype

```
void Xil_ICacheInvalidate(void);
```

Returns

None.

Xil_ICacheInvalidateRange

Invalidate the instruction cache for the given address range.

If the bytes specified by the address (*adr*) are cached by the Data cache, the cacheline containing that byte is invalidated. If the cacheline is modified (dirty), the modified contents are lost and are NOT written to system memory before the line is invalidated.

Prototype

```
void Xil_ICacheInvalidateRange(INTPTR adr, u32 len);
```

Parameters

The following table lists the `Xil_ICacheInvalidateRange` function arguments.

Table 93: Xil_ICacheInvalidateRange Arguments

Name	Description
<code>adr</code>	32bit start address of the range to be invalidated.
<code>len</code>	Length of the range to be invalidated in bytes.

Returns

None.

Xil_ICacheInvalidateLine

Invalidate an instruction cache line. If the instruction specified by the address is cached by the instruction cache, the cacheline containing that instruction is invalidated.

Note: The bottom 4 bits are set to 0, forced by architecture.

Prototype

```
void Xil_ICacheInvalidateLine(INTPTR adr);
```

Parameters

The following table lists the `Xil_ICacheInvalidateLine` function arguments.

Table 94: Xil_ICacheInvalidateLine Arguments

Name	Description
adr	32bit address of the instruction to be invalidated.

Returns

None.

Arm Cortex-R5F Time Functions

The `xtime_l.h` provides access to 32-bit TTC timer counter.

These functions can be used by applications to track the time.

Table 95: Quick Function Reference

Type	Name	Arguments
void	XTime_SetTime	XTime Xtime_Global
void	XTime_GetTime	XTime * Xtime_Global

Functions

XTime_SetTime

TTC Timer runs continuously and the time can not be set as desired.

This API doesn't contain anything. It is defined to have uniformity across platforms.

Note: In multiprocessor environment reference time will reset/lost for all processors, when this function called by any one processor.

Prototype

```
void XTime_SetTime(XTime Xtime_Global);
```

Parameters

The following table lists the `XTime_SetTime` function arguments.

Table 96: XTime_SetTime Arguments

Name	Description
Xtime_Global	32 bit value to be written to the timer counter register.

Returns

None.

XTime_GetTime

Get the time from the timer counter register.

Prototype

```
void XTime_GetTime(XTime *Xtime_Global);
```

Parameters

The following table lists the `XTime_GetTime` function arguments.

Table 97: XTime_GetTime Arguments

Name	Description
Xtime_Global	Pointer to the 32 bit location to be updated with the time current value of timer counter register.

Returns

None.

Arm Cortex-R5F Event Counters Functions

Cortex-R5F event counter functions can be utilized to configure and control the Cortex-R5F performance monitor events.

Cortex-R5F Performance Monitor has 3 event counters which can be used to count a variety of events described in Coretx-R5 TRM. The `xpm_counter.h` file defines configurations `XPM_CNTRCFGx` which can be used to program the event counters to count a set of events.

Table 98: Quick Function Reference

Type	Name	Arguments
void	Xpm_SetEvents	s32 PmcrCfg
void	Xpm_GetEventCounters	u32 * PmCtrValue
u32	Xpm_DisableEvent	EventCntrId
u32	Xpm_SetUpAnEvent	u32 EventID

Table 98: Quick Function Reference (cont'd)

Type	Name	Arguments
u32	Xpm_GetEventCounter	EventCntrId u32 * CntVal
void	Xpm_DisableEventCounters	void
void	Xpm_EnableEventCounters	void
void	Xpm_ResetEventCounters	void
void	Xpm_SleepPerfCounter	u32 delay u64 frequency

Functions

Xpm_SetEvents

This function configures the Cortex-R5F event counters controller, with the event codes, in a configuration selected by the user and enables the counters.

Prototype

```
void Xpm_SetEvents(s32 PmcrCfg);
```

Parameters

The following table lists the `Xpm_SetEvents` function arguments.

Table 99: Xpm_SetEvents Arguments

Name	Description
PmcrCfg	Configuration value based on which the event counters are configured. XPM_CNTRCFG* values defined in xpm_counter.h can be utilized for setting configuration

Returns

None.

Xpm_GetEventCounters

This function disables the event counters and returns the counter values.

Prototype

```
void Xpm_GetEventCounters(u32 *PmCtrValue);
```

Parameters

The following table lists the `Xpm_GetEventCounters` function arguments.

Table 100: Xpm_GetEventCounters Arguments

Name	Description
PmCtrValue	Pointer to an array of type <code>u32 PmCtrValue[6]</code> . It is an output parameter which is used to return the PM counter values.

Returns

None.

Xpm_DisableEvent

Disables the requested event counter.

Prototype

```
u32 Xpm_DisableEvent(u32 EventHandlerId);
```

Parameters

The following table lists the `Xpm_DisableEvent` function arguments.

Table 101: Xpm_DisableEvent Arguments

Name	Description
EventCntrId	Event Counter ID. The counter ID is the same that was earlier returned through a call to <code>Xpm_SetUpAnEvent</code> . Cortex-R5F supports only 3 counters. The valid values are 0, 1, or 2.

Returns

- `XST_SUCCESS` if successful.
- `XST_FAILURE` if the passed Counter ID is invalid (i.e. greater than 2).

Xpm_SetUpAnEvent

Sets up one of the event counters to count events based on the Event ID passed.

For supported Event IDs please refer `xpm_counter.h`. Upon invoked, the API searches for an available counter. After finding one, it sets up the counter to count events for the requested event.

Prototype

```
u32 Xpm_SetUpAnEvent(u32 EventID);
```

Parameters

The following table lists the `Xpm_SetUpAnEvent` function arguments.

Table 102: Xpm_SetUpAnEvent Arguments

Name	Description
EventID	For valid values, please refer <code>xpm_counter.h</code> .

Returns

- Counter Number if successful. For Cortex-R5F, valid return values are 0, 1, or 2.
- `XPM_NO_COUNTERS_AVAILABLE (0xFF)` if all counters are being used

Xpm_GetEventCounter

Reads the counter value for the requested counter ID.

This is used to read the number of events that has been counted for the requested event ID. This can only be called after a call to `Xpm_SetUpAnEvent`.

Prototype

```
u32 Xpm_GetEventCounter(u32 EventHandlerId, u32 *CntVal);
```

Parameters

The following table lists the `Xpm_GetEventCounter` function arguments.

Table 103: Xpm_GetEventCounter Arguments

Name	Description
EventCntrId	The counter ID is the same that was earlier returned through a call to <code>Xpm_SetUpAnEvent</code> . Cortex-R5F supports only 3 counters. The valid values are 0, 1, or 2.
CntVal	Pointer to a 32 bit unsigned int type. This is used to return the event counter value.

Returns

- XST_SUCCESS if successful.
- XST_FAILURE if the passed Counter ID is invalid (i.e. greater than 2).

Xpm_DisableEventCounters

This function disables the Cortex-R5F event counters.

Prototype

```
void Xpm_DisableEventCounters(void);
```

Returns

None.

Xpm_EnableEventCounters

This function enables the Cortex-R5F event counters.

Prototype

```
void Xpm_EnableEventCounters(void);
```

Returns

None.

Xpm_ResetEventCounters

This function resets the Cortex-R5F event counters.

Prototype

```
void Xpm_ResetEventCounters(void);
```

Returns

None.

Xpm_SleepPerfCounter

This is helper function used by sleep/usleep APIs to generate delay in sec/usec.

Prototype

```
void Xpm_SleepPerfCounter(u32 delay, u64 frequency);
```

Parameters

The following table lists the `Xpm_SleepPerfCounter` function arguments.

Table 104: Xpm_SleepPerfCounter Arguments

Name	Description
delay	- delay time in sec/usec
frequency	- Number of counts in second/micro second

Returns

None.

Arm Cortex-R5F Processor Specific Include Files

The `xpseudo_asm.h` includes `xreg_cortexr5.h` and `xpseudo_asm_gcc.h`.

The `xreg_cortexr5.h` file contains definitions for inline assembler code. It provides inline definitions for Cortex-R5F GPRs, SPRs, co-processor registers and Debug register

The `xpseudo_asm_gcc.h` contains the definitions for the most often used inline assembler instructions, available as macros. These can be very useful for tasks such as setting or getting special purpose registers, synchronization, or cache manipulation. These inline assembler instructions can be used from drivers and user applications written in C.

Arm Cortex-R5F Peripheral Definitions

The `xparameters_ps.h` file contains the canonical definitions and constant declarations for peripherals within hardblock, attached to the Arm Cortex-R5F core.

These definitions can be used by drivers or applications to access the peripherals.

Arm Cortex-A9 Processor APIs

Arm Cortex-A9 Processor API

Standalone BSP contains boot code, cache, exception handling, file and memory management, configuration, time and processor-specific include functions.

It supports gcc compilers.

Arm Cortex-A9 Processor Boot Code

The boot code performs minimum configuration which is required for an application to run starting from processor reset state of the processor. Below is a sequence illustrating what all configuration is performed before control reaches to main function.

1. Program vector table base for exception handling
2. Invalidate instruction cache, data cache and TLBs
3. Program stack pointer for various modes (IRQ, FIQ, supervisor, undefine, abort, system)
4. Configure MMU with short descriptor translation table format and program base address of translation table
5. Enable data cache, instruction cache and MMU
6. Enable Floating point unit
7. Transfer control to `_start` which clears BSS sections, initializes global timer and runs global constructor before jumping to main application

The `translation_table.S` contains a static page table required by MMU for cortex-A9. This translation table is flat mapped (input address = output address) with default memory attributes defined for Zynq-7000 architecture. It utilizes short descriptor translation table format with each section defining 1 MB of memory.

The overview of translation table memory attributes is described below.

	Memory Range	Definition in Translation Table
DDR	0x00000000 - 0x3FFFFFFF	Normal write-back Cacheable
PL	0x40000000 - 0xBFFFFFFF	Strongly Ordered
Reserved	0xC0000000 - 0xDFFFFFFF	Unassigned
Memory mapped devices	0xE0000000 - 0xE02FFFFF	Device Memory
Reserved	0xE0300000 - 0xE0FFFFFF	Unassigned
NAND, NOR	0xE1000000 - 0xE3FFFFFF	Device memory
SRAM	0xE4000000 - 0xE5FFFFFF	Normal write-back Cacheable
Reserved	0xE6000000 - 0xF7FFFFFF	Unassigned
AMBA APB Peripherals	0xF8000000 - 0xF8FFFFFF	Device Memory
Reserved	0xF9000000 - 0xFBFFFFFF	Unassigned
Linear QSPI - XIP	0xFC000000 - 0xFDFFFFFF	Normal write-through cacheable
Reserved	0xFE000000 - 0xFFEFFFFFFF	Unassigned
OCM	0xFFF00000 - 0xFFFFFFFF	Normal inner write-back cacheable

Note: For region 0x00000000 - 0x3FFFFFFF, a system where DDR is less than 1 GB, region after DDR and before PL is marked as undefined/reserved in translation table. In 0xF8000000 - 0xF8FFFFFF, 0xF800C00 - 0xF800FFF, 0xF8010000 - 0xF88FFFFFF and 0xF8F03000 to 0xF8FFFFFF are reserved but due to granual size of 1 MB, it is not possible to define separate regions for them. For region 0xFFFF0000 - 0xFFFFFFFF, 0xFFFF0000 to 0xFFFFB0000 is reserved but due to 1MB granual size, it is not possible to define separate region for it.

Arm Cortex-A9 Processor Cache Functions

Cache functions provide access to cache related operations such as flush and invalidate for instruction and data caches.

It gives option to perform the cache operations on a single cacheline, a range of memory and an entire cache.

Table 105: Quick Function Reference

Type	Name	Arguments
void	Xil_DCacheEnable	void
void	Xil_DCacheDisable	void
void	Xil_DCacheInvalidate	void
void	Xil_DCacheInvalidateRange	INTPTR adr u32 len
void	Xil_DCacheFlush	void
void	Xil_DCacheFlushRange	INTPTR adr u32 len
void	Xil_ICacheEnable	void
void	Xil_ICacheDisable	void
void	Xil_ICacheInvalidate	void
void	Xil_ICacheInvalidateRange	INTPTR adr u32 len
void	Xil_DCacheInvalidateLine	u32 adr

Table 105: Quick Function Reference (cont'd)

Type	Name	Arguments
void	Xil_DCacheFlushLine	u32 adr
void	Xil_DCacheStoreLine	u32 adr
void	Xil_ICacheInvalidateLine	u32 adr
void	Xil_L1DCacheEnable	void
void	Xil_L1DCacheDisable	void
void	Xil_L1DCacheInvalidate	void
void	Xil_L1DCacheInvalidateLine	u32 adr
void	Xil_L1DCacheInvalidateRange	u32 adr u32 len
void	Xil_L1DCacheFlush	void
void	Xil_L1DCacheFlushLine	u32 adr
void	Xil_L1DCacheFlushRange	u32 adr u32 len
void	Xil_L1DCacheStoreLine	u32 adr
void	Xil_L1ICacheEnable	void
void	Xil_L1ICacheDisable	void
void	Xil_L1ICacheInvalidate	void
void	Xil_L1ICacheInvalidateLine	u32 adr
void	Xil_L1ICacheInvalidateRange	u32 adr u32 len
void	Xil_L2CacheEnable	void

Table 105: Quick Function Reference (cont'd)

Type	Name	Arguments
void	Xil_L2CacheDisable	void
void	Xil_L2CacheInvalidate	void
void	Xil_L2CacheInvalidateLine	u32 adr
void	Xil_L2CacheInvalidateRange	u32 adr u32 len
void	Xil_L2CacheFlush	void
void	Xil_L2CacheFlushLine	u32 adr
void	Xil_L2CacheFlushRange	u32 adr u32 len
void	Xil_L2CacheStoreLine	u32 adr

Functions

Xil_DCacheEnable

Enable the Data cache.

Prototype

```
void Xil_DCacheEnable(void);
```

Returns

None.

Xil_DCacheDisable

Disable the Data cache.

Prototype

```
void Xil_DCacheDisable(void);
```

Returns

None.

Xil_DCacheInvalidate

Invalidate the entire Data cache.

Prototype

```
void Xil_DCacheInvalidate(void);
```

Returns

None.

Xil_DCacheInvalidateRange

Invalidate the Data cache for the given address range.

If the bytes specified by the address range are cached by the Data cache, the cachelines containing those bytes are invalidated. If the cachelines are modified (dirty), the modified contents are lost and NOT written to the system memory before the lines are invalidated.

In this function, if start address or end address is not aligned to cache-line, particular cache-line containing unaligned start or end address is flush first and then invalidated the others as invalidating the same unaligned cache line may result into loss of data. This issue raises few possibilities.

If the address to be invalidated is not cache-line aligned, the following choices are available:

1. Invalidate the cache line when required and do not bother much for the side effects. Though it sounds good, it can result in hard-to-debug issues. The problem is, if some other variable are allocated in the same cache line and had been recently updated (in cache), the invalidation would result in loss of data.
2. Flush the cache line first. This will ensure that if any other variable present in the same cache line and updated recently are flushed out to memory. Then it can safely be invalidated. Again it sounds good, but this can result in issues. For example, when the invalidation happens in a typical ISR (after a DMA transfer has updated the memory), then flushing the cache line means, losing data that were updated recently before the ISR got invoked.

Linux prefers the second one. To have uniform implementation (across standalone and Linux), the second option is implemented. This being the case, following needs to be taken care of:

1. Whenever possible, the addresses must be cache line aligned. Please note that, not just start address, even the end address must be cache line aligned. If that is taken care of, this will always work.

2. Avoid situations where invalidation has to be done after the data is updated by peripheral/DMA directly into the memory. It is not tough to achieve (may be a bit risky). The common use case to do invalidation is when a DMA happens. Generally for such use cases, buffers can be allocated first and then start the DMA. The practice that needs to be followed here is, immediately after buffer allocation and before starting the DMA, do the invalidation. With this approach, invalidation need not to be done after the DMA transfer is over.

This is going to always work if done carefully. However, the concern is, there is no guarantee that invalidate has not needed to be done after DMA is complete. For example, because of some reasons if the first cache line or last cache line (assuming the buffer in question comprises of multiple cache lines) are brought into cache (between the time it is invalidated and DMA completes) because of some speculative prefetching or reading data for a variable present in the same cache line, then we will have to invalidate the cache after DMA is complete.

Prototype

```
void Xil_DCacheInvalidateRange(INTPTR adr, u32 len);
```

Parameters

The following table lists the `Xil_DCacheInvalidateRange` function arguments.

Table 106: Xil_DCacheInvalidateRange Arguments

Name	Description
adr	32-bit start address of the range to be invalidated.
len	Length of the range to be invalidated in bytes.

Returns

None.

Xil_DCacheFlush

Flush the entire Data cache.

Prototype

```
void Xil_DCacheFlush(void);
```

Returns

None.

Xil_DCacheFlushRange

Flush the Data cache for the given address range.

If the bytes specified by the address range are cached by the data cache, the cachelines containing those bytes are invalidated. If the cachelines are modified (dirty), they are written to the system memory before the lines are invalidated.

Prototype

```
void Xil_DCacheFlushRange(INTPTR adr, u32 len);
```

Parameters

The following table lists the `Xil_DCacheFlushRange` function arguments.

Table 107: Xil_DCacheFlushRange Arguments

Name	Description
adr	32bit start address of the range to be flushed.
len	Length of the range to be flushed in bytes.

Returns

None.

Xil_ICacheEnable

Enable the instruction cache.

Prototype

```
void Xil_ICacheEnable(void);
```

Returns

None.

Xil_ICacheDisable

Disable the instruction cache.

Prototype

```
void Xil_ICacheDisable(void);
```

Returns

None.

Xil_ICacheInvalidate

Invalidate the entire instruction cache.

Prototype

```
void Xil_ICacheInvalidate(void);
```

Returns

None.

Xil_ICacheInvalidateRange

Invalidate the instruction cache for the given address range.

If the instructions specified by the address range are cached by the instruction cache, the cachelines containing those instructions are invalidated.

Prototype

```
void Xil_ICacheInvalidateRange(INTPTR adr, u32 len);
```

Parameters

The following table lists the `Xil_ICacheInvalidateRange` function arguments.

Table 108: Xil_ICacheInvalidateRange Arguments

Name	Description
adr	32bit start address of the range to be invalidated.
len	Length of the range to be invalidated in bytes.

Returns

None.

Xil_DCacheInvalidateLine

Invalidate a Data cache line.

If the byte specified by the address (`adr`) is cached by the Data cache, the cacheline containing that byte is invalidated. If the cacheline is modified (dirty), the modified contents are lost and are NOT written to the system memory before the line is invalidated.

Note: The bottom 4 bits are set to 0, forced by architecture.

Prototype

```
void Xil_DCacheInvalidateLine(u32 adr);
```

Parameters

The following table lists the `Xil_DCacheInvalidateLine` function arguments.

Table 109: Xil_DCacheInvalidateLine Arguments

Name	Description
adr	32bit address of the data to be flushed.

Returns

None.

Xil_DCacheFlushLine

Flush a Data cache line.

If the byte specified by the address (`adr`) is cached by the Data cache, the cacheline containing that byte is invalidated. If the cacheline is modified (dirty), the entire contents of the cacheline are written to system memory before the line is invalidated.

Note: The bottom 4 bits are set to 0, forced by architecture.

Prototype

```
void Xil_DCacheFlushLine(u32 adr);
```

Parameters

The following table lists the `Xil_DCacheFlushLine` function arguments.

Table 110: Xil_DCacheFlushLine Arguments

Name	Description
adr	32bit address of the data to be flushed.

Returns

None.

Xil_DCacheStoreLine

Store a Data cache line.

If the byte specified by the address (*adr*) is cached by the Data cache and the cacheline is modified (dirty), the entire contents of the cacheline are written to system memory. After the store completes, the cacheline is marked as unmodified (not dirty).

Note: The bottom 4 bits are set to 0, forced by architecture.

Prototype

```
void Xil_DCacheStoreLine(u32 adr);
```

Parameters

The following table lists the `Xil_DCacheStoreLine` function arguments.

Table 111: Xil_DCacheStoreLine Arguments

Name	Description
<i>adr</i>	32bit address of the data to be stored.

Returns

None.

Xil_ICacheInvalidateLine

Invalidate an instruction cache line.

If the instruction specified by the address is cached by the instruction cache, the cacheline containing that instruction is invalidated.

Note: The bottom 4 bits are set to 0, forced by architecture.

Prototype

```
void Xil_ICacheInvalidateLine(u32 adr);
```

Parameters

The following table lists the `Xil_ICacheInvalidateLine` function arguments.

Table 112: Xil_ICacheInvalidateLine Arguments

Name	Description
<i>adr</i>	32bit address of the instruction to be invalidated.

Returns

None.

Xil_L1DCacheEnable

Enable the level 1 Data cache.

Prototype

```
void Xil_L1DCacheEnable(void);
```

Returns

None.

Xil_L1DCacheDisable

Disable the level 1 Data cache.

Prototype

```
void Xil_L1DCacheDisable(void);
```

Returns

None.

Xil_L1DCacheInvalidate

Invalidate the level 1 Data cache.

Note: In Cortex A9, there is no cp instruction for invalidating the whole D-cache. This function invalidates each line by set/way.

Prototype

```
void Xil_L1DCacheInvalidate(void);
```

Returns

None.

Xil_L1DCacheInvalidateLine

Invalidate a level 1 Data cache line.

If the byte specified by the address (Addr) is cached by the Data cache, the cacheline containing that byte is invalidated. If the cacheline is modified (dirty), the modified contents are lost and are NOT written to system memory before the line is invalidated.

Note: The bottom 5 bits are set to 0, forced by architecture.

Prototype

```
void Xil_L1DCacheInvalidateLine(u32 adr);
```

Parameters

The following table lists the `Xil_L1DCacheInvalidateLine` function arguments.

Table 113: Xil_L1DCacheInvalidateLine Arguments

Name	Description
adr	32bit address of the data to be invalidated.

Returns

None.

Xil_L1DCacheInvalidateRange

Invalidate the level 1 Data cache for the given address range.

If the bytes specified by the address range are cached by the Data cache, the cachelines containing those bytes are invalidated. If the cachelines are modified (dirty), the modified contents are lost and NOT written to the system memory before the lines are invalidated.

Prototype

```
void Xil_L1DCacheInvalidateRange(u32 adr, u32 len);
```

Parameters

The following table lists the `Xil_L1DCacheInvalidateRange` function arguments.

Table 114: Xil_L1DCacheInvalidateRange Arguments

Name	Description
adr	32bit start address of the range to be invalidated.
len	Length of the range to be invalidated in bytes.

Returns

None.

Xil_L1DCacheFlush

Flush the level 1 Data cache.

Note: In Cortex A9, there is no cp instruction for flushing the whole D-cache. Need to flush each line.

Prototype

```
void Xil_L1DCacheFlush(void);
```

Returns

None.

Xil_L1DCacheFlushLine

Flush a level 1 Data cache line.

If the byte specified by the address (adr) is cached by the Data cache, the cacheline containing that byte is invalidated. If the cacheline is modified (dirty), the entire contents of the cacheline are written to system memory before the line is invalidated.

Note: The bottom 5 bits are set to 0, forced by architecture.

Prototype

```
void Xil_L1DCacheFlushLine(u32 adr);
```

Parameters

The following table lists the `Xil_L1DCacheFlushLine` function arguments.

Table 115: Xil_L1DCacheFlushLine Arguments

Name	Description
adr	32bit address of the data to be flushed.

Returns

None.

Xil_L1DCacheFlushRange

Flush the level 1 Data cache for the given address range.

If the bytes specified by the address range are cached by the Data cache, the cacheline containing those bytes are invalidated. If the cachelines are modified (dirty), they are written to system memory before the lines are invalidated.

Prototype

```
void Xil_L1DCacheFlushRange(u32 adr, u32 len);
```


Parameters

The following table lists the `Xil_L1DCacheFlushRange` function arguments.

Table 116: Xil_L1DCacheFlushRange Arguments

Name	Description
adr	32bit start address of the range to be flushed.
len	Length of the range to be flushed in bytes.

Returns

None.

Xil_L1DCacheStoreLine

Store a level 1 Data cache line.

If the byte specified by the address (adr) is cached by the Data cache and the cacheline is modified (dirty), the entire contents of the cacheline are written to system memory. After the store completes, the cacheline is marked as unmodified (not dirty).

Note: The bottom 5 bits are set to 0, forced by architecture.

Prototype

```
void Xil_L1DCacheStoreLine(u32 adr);
```

Parameters

The following table lists the `Xil_L1DCacheStoreLine` function arguments.

Table 117: Xil_L1DCacheStoreLine Arguments

Name	Description
adr	Address to be stored.

Returns

None.

Xil_L1ICacheEnable

Enable the level 1 instruction cache.

Prototype

```
void Xil_L1ICacheEnable(void);
```

Returns

None.

Xil_L1ICacheDisable

Disable level 1 the instruction cache.

Prototype

```
void Xil_L1ICacheDisable(void);
```

Returns

None.

Xil_L1ICacheInvalidate

Invalidate the entire level 1 instruction cache.

Prototype

```
void Xil_L1ICacheInvalidate(void);
```

Returns

None.

Xil_L1ICacheInvalidateLine

Invalidate a level 1 instruction cache line.

If the instruction specified by the address is cached by the instruction cache, the cacheline containing that instruction is invalidated.

Note: The bottom 5 bits are set to 0, forced by architecture.

Prototype

```
void Xil_L1ICacheInvalidateLine(u32 adr);
```

Parameters

The following table lists the `Xil_L1ICacheInvalidateLine` function arguments.

Table 118: Xil_L1ICacheInvalidateLine Arguments

Name	Description
adr	32bit address of the instruction to be invalidated.

Returns

None.

Xil_L1ICacheInvalidateRange

Invalidate the level 1 instruction cache for the given address range.

If the instructions specified by the address range are cached by the instruction cache, the cacheline containing those bytes are invalidated.

Prototype

```
void Xil_L1ICacheInvalidateRange(u32 adr, u32 len);
```

Parameters

The following table lists the `Xil_L1ICacheInvalidateRange` function arguments.

Table 119: Xil_L1ICacheInvalidateRange Arguments

Name	Description
adr	32bit start address of the range to be invalidated.
len	Length of the range to be invalidated in bytes.

Returns

None.

Xil_L2CacheEnable

Enable the L2 cache.

Prototype

```
void Xil_L2CacheEnable(void);
```

Returns

None.

Xil_L2CacheDisable

Disable the L2 cache.

Prototype

```
void Xil_L2CacheDisable(void);
```

Returns

None.

Xil_L2CacheInvalidate

Invalidate the entire level 2 cache.

Prototype

```
void Xil_L2CacheInvalidate(void);
```

Returns

None.

Xil_L2CacheInvalidateLine

Invalidate a level 2 cache line.

If the byte specified by the address (adr) is cached by the Data cache, the cacheline containing that byte is invalidated. If the cacheline is modified (dirty), the modified contents are lost and are NOT written to system memory before the line is invalidated.

Note: The bottom 4 bits are set to 0, forced by architecture.

Prototype

```
void Xil_L2CacheInvalidateLine(u32 adr);
```

Parameters

The following table lists the `Xil_L2CacheInvalidateLine` function arguments.

Table 120: Xil_L2CacheInvalidateLine Arguments

Name	Description
adr	32bit address of the data/instruction to be invalidated.

Returns

None.

Xil_L2CacheInvalidateRange

Invalidate the level 2 cache for the given address range.

If the bytes specified by the address range are cached by the L2 cache, the cacheline containing those bytes are invalidated. If the cachelines are modified (dirty), the modified contents are lost and are NOT written to system memory before the lines are invalidated.

Prototype

```
void Xil_L2CacheInvalidateRange(u32 adr, u32 len);
```

Parameters

The following table lists the `Xil_L2CacheInvalidateRange` function arguments.

Table 121: Xil_L2CacheInvalidateRange Arguments

Name	Description
adr	32bit start address of the range to be invalidated.
len	Length of the range to be invalidated in bytes.

Returns

None.

Xil_L2CacheFlush

Flush the entire level 2 cache.

Prototype

```
void Xil_L2CacheFlush(void);
```

Returns

None.

Xil_L2CacheFlushLine

Flush a level 2 cache line.

If the byte specified by the address (`adr`) is cached by the L2 cache, the cacheline containing that byte is invalidated. If the cacheline is modified (dirty), the entire contents of the cacheline are written to system memory before the line is invalidated.

Note: The bottom 4 bits are set to 0, forced by architecture.

Prototype

```
void Xil_L2CacheFlushLine(u32 adr);
```

Parameters

The following table lists the `Xil_L2CacheFlushLine` function arguments.

Table 122: Xil_L2CacheFlushLine Arguments

Name	Description
adr	32bit address of the data/instruction to be flushed.

Returns

None.

Xil_L2CacheFlushRange

Flush the level 2 cache for the given address range.

If the bytes specified by the address range are cached by the L2 cache, the cacheline containing those bytes are invalidated. If the cachelines are modified (dirty), they are written to the system memory before the lines are invalidated.

Prototype

```
void Xil_L2CacheFlushRange(u32 adr, u32 len);
```

Parameters

The following table lists the `Xil_L2CacheFlushRange` function arguments.

Table 123: Xil_L2CacheFlushRange Arguments

Name	Description
adr	32bit start address of the range to be flushed.
len	Length of the range to be flushed in bytes.

Returns

None.

Xil_L2CacheStoreLine

Store a level 2 cache line.

If the byte specified by the address (`adr`) is cached by the L2 cache and the cacheline is modified (dirty), the entire contents of the cacheline are written to system memory. After the store completes, the cacheline is marked as unmodified (not dirty).

Note: The bottom 4 bits are set to 0, forced by architecture.

Prototype

```
void Xil_L2CacheStoreLine(u32 adr);
```

Parameters

The following table lists the `Xil_L2CacheStoreLine` function arguments.

Table 124: Xil_L2CacheStoreLine Arguments

Name	Description
adr	32bit address of the data/instruction to be stored.

Returns

None.

Arm Cortex-A9 Processor MMU Functions

MMU functions equip users to enable MMU, disable MMU and modify default memory attributes of MMU table as per the need.

Table 125: Quick Function Reference

Type	Name	Arguments
void	Xil_SetTlbAttributes	INTPTR Addr u32 attrib
void	Xil_EnableMMU	void
void	Xil_DisableMMU	void
void *	Xil_MemMap	UINTPTR PhysAddr size_t size u32 flags

Functions

Xil_SetTlbAttributes

This function sets the memory attributes for a section covering 1MB of memory in the translation table.

Note: The MMU or D-cache does not need to be disabled before changing a translation table entry.

Prototype

```
void Xil_SetTlbAttributes(INTPTR Addr, u32 attrib);
```

Parameters

The following table lists the `Xil_SetTlbAttributes` function arguments.

Table 126: Xil_SetTlbAttributes Arguments

Name	Description
Addr	32-bit address for which memory attributes need to be set.
attrib	Attribute for the given memory region. <code>xil_mmu.h</code> contains definitions of commonly used memory attributes which can be utilized for this function.

Returns

None.

Xil_EnableMMU

Enable MMU for cortex A9 processor.

This function invalidates the instruction and data caches, and then enables MMU.

Prototype

```
void Xil_EnableMMU(void);
```

Returns

None.

Xil_DisableMMU

Disable MMU for Cortex A9 processors.

This function invalidates the TLBs, Branch Predictor Array and flushed the D Caches before disabling the MMU.

Note: When the MMU is disabled, all the memory accesses are treated as strongly ordered.

Prototype

```
void Xil_DisableMMU(void);
```

Returns

None.

Xil_MemMap

Memory mapping for Cortex A9 processor.

Note: : Previously this was implemented in libmetal. Move to embeddedsw as this functionality is specific to A9 processor.

Prototype

```
void * Xil_MemMap(UINTPTR PhysAddr, size_t size, u32 flags);
```

Parameters

The following table lists the `Xil_MemMap` function arguments.

Table 127: Xil_MemMap Arguments

Name	Description
PhysAddr	is physical address.
size	is size of region.
flags	is flags used to set translation table.

Returns

Pointer to virtual address.

Arm Cortex-A9 Time Functions

`xtime_l.h` provides access to the 64-bit Global Counter in the PMU.

This counter increases by one at every two processor cycles. These functions can be used to get/set time in the global timer.

Table 128: Quick Function Reference

Type	Name	Arguments
void	XTime_SetTime	XTime Xtime_Global
void	XTime_GetTime	XTime * Xtime_Global

Functions

XTime_SetTime

Set the time in the Global Timer Counter Register.

Note: When this function is called by any one processor in a multi-processor environment, reference time will reset/lost for all processors.

Prototype

```
void XTime_SetTime(XTime Xtime_Global);
```

Parameters

The following table lists the `XTime_SetTime` function arguments.

Table 129: XTime_SetTime Arguments

Name	Description
Xtime_Global	64-bit Value to be written to the Global Timer Counter Register.

Returns

None.

XTime_GetTime

Get the time from the Global Timer Counter Register.

Note: None.

Prototype

```
void XTime_GetTime(XTime *Xtime_Global);
```

Parameters

The following table lists the `XTime_GetTime` function arguments.

Table 130: XTime_GetTime Arguments

Name	Description
Xtime_Global	Pointer to the 64-bit location which will be updated with the current timer value.

Returns

None.

Arm Cortex-A9 Event Counter Function

Cortex A9 event counter functions can be utilized to configure and control the Cortex-A9 performance monitor events.

Cortex-A9 performance monitor has six event counters which can be used to count a variety of events described in Coretx-A9 TRM. `xpm_counter.h` defines configurations `XPM_CNTRCFGx` which can be used to program the event counters to count a set of events.

Note: It doesn't handle the Cortex-A9 cycle counter, as the cycle counter is being used for time keeping.

Table 131: Quick Function Reference

Type	Name	Arguments
void	Xpm_SetEvents	s32 PmcrCfg
void	Xpm_GetEventCounters	u32 * PmCtrValue

Functions

Xpm_SetEvents

This function configures the Cortex A9 event counters controller, with the event codes, in a configuration selected by the user and enables the counters.

Prototype

```
void Xpm_SetEvents(s32 PmcrCfg);
```

Parameters

The following table lists the `Xpm_SetEvents` function arguments.

Table 132: Xpm_SetEvents Arguments

Name	Description
PmcrCfg	Configuration value based on which the event counters are configured. <code>XPM_CNTRCFG*</code> values defined in <code>xpm_counter.h</code> can be utilized for setting configuration.

Returns

None.

Xpm_GetEventCounters

This function disables the event counters and returns the counter values.

Prototype

```
void Xpm_GetEventCounters(u32 *PmCtrValue);
```

Parameters

The following table lists the `Xpm_GetEventCounters` function arguments.

Table 133: Xpm_GetEventCounters Arguments

Name	Description
PmCtrValue	Pointer to an array of type u32 PmCtrValue[6]. It is an output parameter which is used to return the PM counter values.

Returns

None.

PL310 L2 Event Counters Functions

`xl2cc_counter.h` contains APIs for configuring and controlling the event counters in PL310 L2 cache controller.

PL310 has two event counters which can be used to count variety of events like DRHIT, DRREQ, DWHIT, DWREQ, etc. `xl2cc_counter.h` contains definitions for different configurations which can be used for the event counters to count a set of events.

Table 134: Quick Function Reference

Type	Name	Arguments
void	XL2cc_EventCtrInit	s32 Event0 s32 Event1
void	XL2cc_EventCtrStart	void
void	XL2cc_EventCtrStop	u32 * EveCtr0 u32 * EveCtr1

Functions

XL2cc_EventCtrInit

This function initializes the event counters in L2 Cache controller with a set of event codes specified by the user.

Note: The definitions for event codes XL2CC_* can be found in xl2cc_counter.h.

Prototype

```
void XL2cc_EventCtrInit(s32 Event0, s32 Event1);
```

Parameters

The following table lists the XL2cc_EventCtrInit function arguments.

Table 135: XL2cc_EventCtrInit Arguments

Name	Description
Event0	Event code for counter 0.
Event1	Event code for counter 1.

Returns

None.

XL2cc_EventCtrStart

This function starts the event counters in L2 Cache controller.

Prototype

```
void XL2cc_EventCtrStart(void);
```

Returns

None.

XL2cc_EventCtrStop

This function disables the event counters in L2 Cache controller, saves the counter values and resets the counters.

Prototype

```
void XL2cc_EventCtrStop(u32 *EveCtr0, u32 *EveCtr1);
```

Parameters

The following table lists the `XL2cc_EventCtrStop` function arguments.

Table 136: XL2cc_EventCtrStop Arguments

Name	Description
EveCtr0	Output parameter which is used to return the value in event counter 0.
EveCtr1	Output parameter which is used to return the value in event counter 1.

Returns

None.

Arm Cortex-A9 Processor and pl310 Errata Support

Various ARM errata are handled in the standalone BSP.

The implementation for errata handling follows ARM guidelines and is based on the open source Linux support for these errata.

Note: The errata handling is enabled by default. To disable handling of all the errata globally, un-define the macro `ENABLE_ARM_ERRATA` in `xil_errata.h`. To disable errata on a per-erratum basis, un-define relevant macros in `xil_errata.h`.

Definitions

Define `CONFIG_ARM_ERRATA_742230`

Definition

```
#define CONFIG_ARM_ERRATA_7422301
```

Description

Errata No: 742230 Description: DMB operation may be faulty.

Define `CONFIG_ARM_ERRATA_743622`

Definition

```
#define CONFIG_ARM_ERRATA_7436221
```

Description

Errata No: 743622 Description: Faulty hazard checking in the Store Buffer may lead to data corruption.

Define CONFIG_ARM_ERRATA_775420

Definition

```
#define CONFIG_ARM_ERRATA_7754201
```

Description

Errata No: 775420 Description: A data cache maintenance operation which aborts, might lead to deadlock.

Define CONFIG_ARM_ERRATA_794073

Definition

```
#define CONFIG_ARM_ERRATA_7940731
```

Description

Errata No: 794073 Description: Speculative instruction fetches with MMU disabled might not comply with architectural requirements.

Define CONFIG_PL310_ERRATA_588369

Definition

```
#define CONFIG_PL310_ERRATA_5883691
```

Description

PL310 L2 Cache Errata.

Errata No: 588369 Description: Clean & Invalidate maintenance operations do not invalidate clean lines

Define CONFIG_PL310_ERRATA_727915

Definition

```
#define CONFIG_PL310_ERRATA_7279151
```

Description

Errata No: 727915 Description: Background Clean and Invalidate by Way operation can cause data corruption.

Arm Cortex-A9 Processor Specific Include Files

The `xpseudo_asm.h` includes `xreg_cortexa9.h` and `xpseudo_asm_gcc.h`.

The `xreg_cortexa9.h` file contains definitions for inline assembler code. It provides inline definitions for Cortex A9 GPRs, SPRs, MPE registers, co-processor registers and Debug registers.

The `xpseudo_asm_gcc.h` contains the definitions for the most often used inline assembler instructions, available as macros. These can be very useful for tasks such as setting or getting special purpose registers, synchronization, or cache manipulation etc. These inline assembler instructions can be used from drivers and user applications written in C.

Arm Cortex-A53 32-bit Processor APIs

Arm Cortex-A53 32-bit Processor API

Cortex-A53 standalone BSP contains two separate BSPs for 32-bit mode and 64-bit mode.

The 32-bit mode of cortex-A53 is compatible with Armv7-A architecture.

Arm Cortex-A53 32-bit Processor Boot Code

The `boot.S` file contains a minimal set of code for transferring control from the processor reset location to the start of the application. The boot code performs minimum configuration which is required for an application to run starting from processor reset state of the processor. Below is a sequence illustrating what all configuration is performed before control reaches to main function.

1. Program vector table base for exception handling
2. Invalidate instruction cache, data cache and TLBs
3. Program stack pointer for various modes (IRQ, FIQ, supervisor, undefine, abort, system)
4. Program counter frequency
5. Configure MMU with short descriptor translation table format and program base address of translation table
6. Enable data cache, instruction cache and MMU
7. Transfer control to `_start` which clears BSS sections and runs global constructor before jumping to main application

The translation_table.S contains a static page table required by MMU for cortex-A53. This translation table is flat mapped (input address = output address) with default memory attributes defined for Zynq Ultrascale+ architecture. It utilizes short descriptor translation table format with each section defining 1 MB of memory.

The overview of translation table memory attributes is described below.

	Memory Range	Definition in Translation Table
DDR	0x00000000 - 0x7FFFFFFF	Normal write-back Cacheable
PL	0x80000000 - 0xBFFFFFFF	Strongly Ordered
QSPI, lower PCIe	0xC0000000 - 0xEFFFFFFF	Device Memory
Reserved	0xF0000000 - 0xF7FFFFFF	Unassigned
STM Coresight	0xF8000000 - 0xF8FFFFFF	Device Memory
GIC	0xF9000000 - 0xF90FFFFFF	Device memory
Reserved	0xF9100000 - 0xFCFFFFFF	Unassigned
FPS, LPS slaves	0xFD000000 - 0xFFBFFFFFF	Device memory
CSU, PMU	0xFFC00000 - 0xFFDFFFFFF	Device Memory
TCM, OCM	0xFFE00000 - 0xFFFFFFFF	Normal write-back cacheable

Note: For DDR in region 0x00000000 - 0x7FFFFFFF, a system where DDR is less than 2 GB, region after DDR and before PL is marked as undefined/reserved in translation table. In region 0xFFC00000 - 0xFFDFFFFFF, it contains CSU and PMU memory which are marked as Device since it is less than 1 MB and falls in a region with device memory.

Arm Cortex-A53 32-bit Processor Cache Functions

Cache functions provide access to cache related operations such as flush and invalidate for instruction and data caches.

It gives option to perform the cache operations on a single cacheline, a range of memory and an entire cache.

Table 137: Quick Function Reference

Type	Name	Arguments
void	Xil_DCacheEnable	void
void	Xil_DCacheDisable	void
void	Xil_DCacheInvalidate	void
void	Xil_DCacheInvalidateRange	INTPTR adr u32 len

Table 137: Quick Function Reference (cont'd)

Type	Name	Arguments
void	Xil_DCacheFlush	void
void	Xil_DCacheFlushRange	INTPTR adr u32 len
void	Xil_DCacheInvalidateLine	u32 adr
void	Xil_DCacheFlushLine	u32 adr
void	Xil_ICacheInvalidateLine	u32 adr
void	Xil_ICacheEnable	void
void	Xil_ICacheDisable	void
void	Xil_ICacheInvalidate	void
void	Xil_ICacheInvalidateRange	INTPTR adr u32 len

Functions

Xil_DCacheEnable

Enable the Data cache.

Prototype

```
void Xil_DCacheEnable(void);
```

Returns

None.

Xil_DCacheDisable

Disable the Data cache.

Prototype

```
void Xil_DCacheDisable(void);
```

Returns

None.

Xil_DCacheInvalidate

Invalidate the Data cache.

The contents present in the data cache are cleaned and invalidated.

Note: In Cortex-A53, functionality to simply invalid the cachelines is not present. Such operations are a problem for an environment that supports virtualisation. It would allow one OS to invalidate a line belonging to another OS. This could lead to the other OS crashing because of the loss of essential data. Hence, such operations are promoted to clean and invalidate to avoid such corruption.

Prototype

```
void Xil_DCacheInvalidate(void);
```

Returns

None.

Xil_DCacheInvalidateRange

Invalidate the Data cache for the given address range.

The cachelines present in the address range are cleaned and invalidated

Note: In Cortex-A53, functionality to simply invalid the cachelines is not present. Such operations are a problem for an environment that supports virtualisation. It would allow one OS to invalidate a line belonging to another OS. This could lead to the other OS crashing because of the loss of essential data. Hence, such operations are promoted to clean and invalidate to avoid such corruption.

Prototype

```
void Xil_DCacheInvalidateRange(INTPTR adr, u32 len);
```

Parameters

The following table lists the `Xil_DCacheInvalidateRange` function arguments.

Table 138: Xil_DCacheInvalidateRange Arguments

Name	Description
adr	32bit start address of the range to be invalidated.
len	Length of the range to be invalidated in bytes.

Returns

None.

Xil_DCacheFlush

Flush the Data cache.

Prototype

```
void Xil_DCacheFlush(void);
```

Returns

None.

Xil_DCacheFlushRange

Flush the Data cache for the given address range.

If the bytes specified by the address range are cached by the Data cache, the cachelines containing those bytes are invalidated. If the cachelines are modified (dirty), they are written to system memory before the lines are invalidated.

Prototype

```
void Xil_DCacheFlushRange(INTPTR adr, u32 len);
```

Parameters

The following table lists the `Xil_DCacheFlushRange` function arguments.

Table 139: Xil_DCacheFlushRange Arguments

Name	Description
adr	32bit start address of the range to be flushed.
len	Length of range to be flushed in bytes.

Returns

None.

Xil_DCacheInvalidateLine

Invalidate a Data cache line.

The cacheline is cleaned and invalidated.

Note: In Cortex-A53, functionality to simply invalidate the cachelines is not present. Such operations are a problem for an environment that supports virtualisation. It would allow one OS to invalidate a line belonging to another OS. This could lead to the other OS crashing because of the loss of essential data. Hence, such operations are promoted to clean and invalidate to avoid such corruption.

Prototype

```
void Xil_DCacheInvalidateLine(u32 adr);
```

Parameters

The following table lists the `Xil_DCacheInvalidateLine` function arguments.

Table 140: Xil_DCacheInvalidateLine Arguments

Name	Description
adr	32 bit address of the data to be invalidated.

Returns

None.

Xil_DCacheFlushLine

Flush a Data cache line.

If the byte specified by the address (adr) is cached by the Data cache, the cacheline containing that byte is invalidated. If the cacheline is modified (dirty), the entire contents of the cacheline are written to system memory before the line is invalidated.

Note: The bottom 4 bits are set to 0, forced by architecture.

Prototype

```
void Xil_DCacheFlushLine(u32 adr);
```

Parameters

The following table lists the `Xil_DCacheFlushLine` function arguments.

Table 141: Xil_DCacheFlushLine Arguments

Name	Description
adr	32bit address of the data to be flushed.

Returns

None.

Xil_ICacheInvalidateLine

Invalidate an instruction cache line.

If the instruction specified by the address is cached by the instruction cache, the cache line containing that instruction is invalidated.

Note: The bottom 4 bits are set to 0, forced by architecture.

Prototype

```
void Xil_ICacheInvalidateLine(u32 adr);
```

Parameters

The following table lists the `Xil_ICacheInvalidateLine` function arguments.

Table 142: Xil_ICacheInvalidateLine Arguments

Name	Description
adr	32bit address of the instruction to be invalidated..

Returns

None.

Xil_ICacheEnable

Enable the instruction cache.

Prototype

```
void Xil_ICacheEnable(void);
```

Returns

None.

Xil_ICacheDisable

Disable the instruction cache.

Prototype

```
void Xil_ICacheDisable(void);
```

Returns

None.

Xil_ICacheInvalidate

Invalidate the entire instruction cache.

Prototype

```
void Xil_ICacheInvalidate(void);
```

Returns

None.

Xil_ICacheInvalidateRange

Invalidate the instruction cache for the given address range.

If the instructions specified by the address range are cached by the instruction cache, the cachelines containing those instructions are invalidated.

Prototype

```
void Xil_ICacheInvalidateRange(INTPTR adr, u32 len);
```

Parameters

The following table lists the `Xil_ICacheInvalidateRange` function arguments.

Table 143: Xil_ICacheInvalidateRange Arguments

Name	Description
adr	32bit start address of the range to be invalidated.
len	Length of the range to be invalidated in bytes.

Returns

None.

Arm Cortex-A53 32-bit Processor MMU Handling

MMU functions equip users to enable MMU, disable MMU and modify default memory attributes of MMU table as per the need.

None.

Note:

Table 144: Quick Function Reference

Type	Name	Arguments
void	Xil_SetTlbAttributes	UINTPTR Addr u32 attrib
void	Xil_EnableMMU	void
void	Xil_DisableMMU	void

Functions

Xil_SetTlbAttributes

This function sets the memory attributes for a section covering 1MB of memory in the translation table.

Note: The MMU or D-cache does not need to be disabled before changing a translation table entry.

Prototype

```
void Xil_SetTlbAttributes(UINTPTR Addr, u32 attrib);
```

Parameters

The following table lists the `Xil_SetTlbAttributes` function arguments.

Table 145: Xil_SetTlbAttributes Arguments

Name	Description
Addr	32-bit address for which the attributes need to be set.
attrib	Attributes for the specified memory region. <code>xil_mmu.h</code> contains commonly used memory attributes definitions which can be utilized for this function.

Returns

None.

Xil_EnableMMU

Enable MMU for Cortex-A53 processor in 32bit mode.

This function invalidates the instruction and data caches before enabling MMU.

Prototype

```
void Xil_EnableMMU(void);
```

Returns

None.

Xil_DisableMMU

Disable MMU for Cortex A53 processors in 32bit mode.

This function invalidates the TLBs, Branch Predictor Array and flushed the data cache before disabling the MMU.

Note: When the MMU is disabled, all the memory accesses are treated as strongly ordered.

Prototype

```
void Xil_DisableMMU(void);
```

Returns

None.

Arm Cortex-A53 32-bit Mode Time Functions

xtime_l.h provides access to the 64-bit physical timer counter.

Table 146: Quick Function Reference

Type	Name	Arguments
void	XTime_SetTime	XTime Xtime_Global
void	XTime_GetTime	XTime * Xtime_Global

Functions

XTime_SetTime

Timer of A53 runs continuously and the time can not be set as desired.

This API doesn't contain anything. It is defined to have uniformity across platforms.

Prototype

```
void XTime_SetTime(XTime Xtime_Global);
```

Parameters

The following table lists the `XTime_SetTime` function arguments.

Table 147: XTime_SetTime Arguments

Name	Description
Xtime_Global	64bit Value to be written to the Global Timer Counter Register. But since the function does not contain anything, the value is not used for anything.

Returns

None.

XTime_GetTime

Get the time from the physical timer counter register.

Prototype

```
void XTime_GetTime(XTime *Xtime_Global);
```

Parameters

The following table lists the `XTime_GetTime` function arguments.

Table 148: XTime_GetTime Arguments

Name	Description
Xtime_Global	Pointer to the 64-bit location to be updated with the current value in physical timer counter.

Returns

None.

Arm Cortex-A53 32-bit Processor Specific Include Files

The `xpseudo_asm.h` includes `xreg_cortexa53.h` and `xpseudo_asm_gcc.h`.

The `xreg_cortexa53.h` file contains definitions for inline assembler code. It provides inline definitions for Cortex A53 GPRs, SPRs, co-processor registers and floating point registers.

The `xpseudo_asm_gcc.h` contains the definitions for the most often used inline assembler instructions, available as macros. These can be very useful for tasks such as setting or getting special purpose registers, synchronization, or cache manipulation etc. These inline assembler instructions can be used from drivers and user applications written in C.

Arm Cortex-A53 64-bit Processor APIs

Arm Cortex-A53 64-bit Processor API

Cortex-A53 standalone BSP contains two separate BSPs for 32-bit mode and 64-bit mode.

The 64-bit mode of cortex-A53 contains Armv8-A architecture. This section provides a linked summary and detailed descriptions of the Arm Cortex-A53 64-bit Processor APIs.

Note: These APIs are applicable for the Cortex-A72 processor as well.

Arm Cortex-A53 64-bit Processor Boot Code

The boot code performs minimum configuration which is required for an application. Cortex-A53 starts by checking current exception level. If the current exception level is EL3 and BSP is built for EL3, it will do initialization required for application execution at EL3. Below is a sequence illustrating what all configuration is performed before control reaches to main function for EL3 execution.

1. Program vector table base for exception handling
2. Set reset vector table base address
3. Program stack pointer for EL3
4. Routing of interrupts to EL3
5. Enable ECC protection
6. Program generic counter frequency
7. Invalidate instruction cache, data cache and TLBs
8. Configure MMU registers and program base address of translation table
9. Transfer control to `_start` which clears BSS sections and runs global constructor before jumping to main application

If the current exception level is EL1 and BSP is also built for `EL1_NONSECURE` it will perform initialization required for application execution at EL1 non-secure. For all other combination, the execution will go into infinite loop. Below is a sequence illustrating what all configuration is performed before control reaches to main function for EL1 execution.

1. Program vector table base for exception handling
2. Program stack pointer for EL1
3. Invalidate instruction cache, data cache and TLBs
4. Configure MMU registers and program base address of translation table
5. Transfer control to `_start` which clears BSS sections and runs global constructor before jumping to main application

The `translation_table.S` contains a static page table required by MMU for cortex-A53. This translation table is flat mapped (input address = output address) with default memory attributes defined for zynq ultrascale+ architecture. It utilizes translation granual size of 4 KB with 2 MB section size for initial 4 GB memory and 1 GB section size for memory after 4 GB. The overview of translation table memory attributes is described below.

	Memory Range	Definition in Translation Table
DDR	0x0000000000 - 0x007FFFFFFF	Normal write-back Cacheable
PL	0x0080000000 - 0x00BFFFFFFF	Strongly Ordered
QSPI, lower PCIe	0x00C0000000 - 0x00EFFFFFFF	Strongly Ordere
Reserved	0x00F0000000 - 0x00F7FFFFFF	Unassigned
STM Coresight	0x00F8000000 - 0x00F8FFFFFF	Strongly Ordered
GIC	0x00F9000000 - 0x00F91FFFFF	Strongly Ordered
Reserved	0x00F9200000 - 0x00FCFFFFFF	Unassigned
FPS, LPS slaves	0x00FD000000 - 0x00FFBFFFFFFF	Strongly Ordered
CSU, PMU	0x00FFC00000 - 0x00FFDFFFFFFF	Strongly Ordered
TCM, OCM	0x00FFE00000 - 0x00FFFFFFF	Normal inner write-back cacheable
Reserved	0x0100000000 - 0x03FFFFFFF	Unassigned
PL, PCIe	0x0400000000 - 0x07FFFFFFF	Strongly Ordered
DDR	0x0800000000 - 0x0FFFFFFF	Normal inner write-back cacheable
PL, PCIe	0x1000000000 - 0xBFFFFFFF	Strongly Ordered
Reserved	0xC000000000 - 0xFFFFFFFF	Unassigned

Note: For DDR region 0x0000000000 - 0x007FFFFFFF, a system where DDR is less than 2 GB, region after DDR and before PL is marked as undefined/reserved in translation table. Region 0xF9100000 - 0xF91FFFFF is reserved memory in 0x00F9000000 - 0x00F91FFFFF range, but it is marked as strongly ordered because minimum section size in translation table section is 2 MB. Region 0x00FFC00000 - 0x00FFDFFFFFFF contains CSU and PMU memory which are marked as Device since it is less than 1MB and falls in a region with device memory.

Arm Cortex-A53 64-bit Processor Cache Functions

Cache functions provide access to cache related operations such as flush and invalidate for instruction and data caches.

It gives option to perform the cache operations on a single cacheline, a range of memory and an entire cache.

Table 149: Quick Function Reference

Type	Name	Arguments
void	Xil_DCacheEnable	void
void	Xil_DCacheDisable	void
void	Xil_DCacheInvalidate	void
void	Xil_DCacheInvalidateRange	INTPTR adr INTPTR len
void	Xil_DCacheInvalidateLine	INTPTR adr
void	Xil_DCacheFlush	void
void	Xil_DCacheFlushLine	INTPTR adr
void	Xil_ICacheEnable	void
void	Xil_ICacheDisable	void
void	Xil_ICacheInvalidate	void
void	Xil_ICacheInvalidateRange	INTPTR adr INTPTR len
void	Xil_ICacheInvalidateLine	INTPTR adr
void	Xil_ConfigureL1Prefetch	u8 num

Functions

Xil_DCacheEnable

Enable the Data cache.

Prototype

```
void Xil_DCacheEnable(void);
```

Returns

None.

Xil_DCacheDisable

Disable the Data cache.

Prototype

```
void Xil_DCacheDisable(void);
```

Returns

None.

Xil_DCacheInvalidate

Invalidate the Data cache.

The contents present in the cache are cleaned and invalidated.

Note: In Cortex-A53, functionality to simply invalid the cachelines is not present. Such operations are a problem for an environment that supports virtualisation. It would allow one OS to invalidate a line belonging to another OS. This could lead to the other OS crashing because of the loss of essential data. Hence, such operations are promoted to clean and invalidate which avoids such corruption.

Prototype

```
void Xil_DCacheInvalidate(void);
```

Returns

None.

Xil_DCacheInvalidateRange

Invalidate the Data cache for the given address range.

The cachelines present in the address range are cleaned and invalidated

Note: In Cortex-A53, functionality to simply invalid the cachelines is not present. Such operations are a problem for an environment that supports virtualisation. It would allow one OS to invalidate a line belonging to another OS. This could lead to the other OS crashing because of the loss of essential data. Hence, such operations are promoted to clean and invalidate which avoids such corruption.

Prototype

```
void Xil_DCacheInvalidateRange(INTPTR adr, INTPTR len);
```

Parameters

The following table lists the `Xil_DCacheInvalidateRange` function arguments.

Table 150: Xil_DCacheInvalidateRange Arguments

Name	Description
adr	64bit start address of the range to be invalidated.
len	Length of the range to be invalidated in bytes.

Returns

None.

Xil_DCacheInvalidateLine

Invalidate a Data cache line.

The cacheline is cleaned and invalidated.

Note: In Cortex-A53, functionality to simply invalid the cachelines is not present. Such operations are a problem for an environment that supports virtualisation. It would allow one OS to invalidate a line belonging to another OS. This could lead to the other OS crashing because of the loss of essential data. Hence, such operations are promoted to clean and invalidate which avoids such corruption.

Prototype

```
void Xil_DCacheInvalidateLine(INTPTR adr);
```

Parameters

The following table lists the `Xil_DCacheInvalidateLine` function arguments.

Table 151: Xil_DCacheInvalidateLine Arguments

Name	Description
adr	64bit address of the data to be flushed.

Returns

None.

Xil_DCacheFlush

Flush the Data cache.

Prototype

```
void Xil_DCacheFlush(void);
```

Returns

None.

Xil_DCacheFlushLine

Flush a Data cache line.

If the byte specified by the address (adr) is cached by the Data cache, the cacheline containing that byte is invalidated. If the cacheline is modified (dirty), the entire contents of the cacheline are written to system memory before the line is invalidated.

Note: The bottom 6 bits are set to 0, forced by architecture.

Prototype

```
void Xil_DCacheFlushLine(INTPTR adr);
```

Parameters

The following table lists the `Xil_DCacheFlushLine` function arguments.

Table 152: Xil_DCacheFlushLine Arguments

Name	Description
adr	64bit address of the data to be flushed.

Returns

None.

Xil_ICacheEnable

Enable the instruction cache.

Prototype

```
void Xil_ICacheEnable(void);
```

Returns

None.

Xil_ICacheDisable

Disable the instruction cache.

Prototype

```
void Xil_ICacheDisable(void);
```

Returns

None.

Xil_ICacheInvalidate

Invalidate the entire instruction cache.

Prototype

```
void Xil_ICacheInvalidate(void);
```

Returns

None.

Xil_ICacheInvalidateRange

Invalidate the instruction cache for the given address range.

If the instructions specified by the address range are cached by the instruction cache, the cachelines containing those instructions are invalidated.

Prototype

```
void Xil_ICacheInvalidateRange(INTPTR adr, INTPTR len);
```

Parameters

The following table lists the `Xil_ICacheInvalidateRange` function arguments.

Table 153: Xil_ICacheInvalidateRange Arguments

Name	Description
adr	64bit start address of the range to be invalidated.
len	Length of the range to be invalidated in bytes.

Returns

None.

Xil_ICacheInvalidateLine

Invalidate an instruction cache line.

If the instruction specified by the parameter `adr` is cached by the instruction cache, the cacheline containing that instruction is invalidated.

Note: The bottom 6 bits are set to 0, forced by architecture.

Prototype

```
void Xil_ICacheInvalidateLine(INTPTR adr);
```

Parameters

The following table lists the `Xil_ICacheInvalidateLine` function arguments.

Table 154: Xil_ICacheInvalidateLine Arguments

Name	Description
<code>adr</code>	64bit address of the instruction to be invalidated.

Returns

None.

Xil_ConfigureL1Prefetch

Configure the maximum number of outstanding data prefetches allowed in L1 cache.

Note: This function is implemented only for EL3 privilege level.

Prototype

```
void Xil_ConfigureL1Prefetch(u8 num);
```

Parameters

The following table lists the `Xil_ConfigureL1Prefetch` function arguments.

Table 155: Xil_ConfigureL1Prefetch Arguments

Name	Description
<code>num</code>	maximum number of outstanding data prefetches allowed, valid values are 0-7.

Returns

None.

Arm Cortex-A53 64-bit Processor MMU Handling

MMU function equip users to modify default memory attributes of MMU table as per the need.

None.

Note:

Table 156: Quick Function Reference

Type	Name	Arguments
void	Xil_SetTlbAttributes	UINTPTR Addr u64 attrib

Functions

Xil_SetTlbAttributes

It sets the memory attributes for a section, in the translation table.

If the address (defined by Addr) is less than 4GB, the memory attribute(attrib) is set for a section of 2MB memory. If the address (defined by Addr) is greater than 4GB, the memory attribute (attrib) is set for a section of 1GB memory.

Note: The MMU and D-cache need not be disabled before changing an translation table attribute.

Prototype

```
void Xil_SetTlbAttributes(UINTPTR Addr, u64 attrib);
```

Parameters

The following table lists the `Xil_SetTlbAttributes` function arguments.

Table 157: Xil_SetTlbAttributes Arguments

Name	Description
Addr	64-bit address for which attributes are to be set.
attrib	Attribute for the specified memory region. <code>xil_mmu.h</code> contains commonly used memory attributes definitions which can be utilized for this function.

Returns

None.

Arm Cortex-A53 64-bit Mode Time Functions

xtime_l.h provides access to the 64-bit physical timer counter.

Table 158: Quick Function Reference

Type	Name	Arguments
void	XTime_SetTime	XTime Xtime_Global
void	XTime_GetTime	XTime * Xtime_Global

Functions

XTime_SetTime

Timer of A53 runs continuously and the time can not be set as desired.

This API doesn't contain anything. It is defined to have uniformity across platforms.

Prototype

```
void XTime_SetTime(XTime Xtime_Global);
```

Parameters

The following table lists the `XTime_SetTime` function arguments.

Table 159: XTime_SetTime Arguments

Name	Description
Xtime_Global	64bit value to be written to the physical timer counter register. Since API does not do anything, the value is not utilized.

Returns

None.

XTime_GetTime

Get the time from the physical timer counter register.

Prototype

```
void XTime_GetTime(XTime *Xtime_Global);
```

Parameters

The following table lists the `XTime_GetTime` function arguments.

Table 160: XTime_GetTime Arguments

Name	Description
Xtime_Global	Pointer to the 64-bit location to be updated with the current value of physical timer counter register.

Returns

None.

Arm Cortex-A53 64-bit Processor Specific Include Files

The `xpseudo_asm.h` includes `xreg_cortexa53.h` and `xpseudo_asm_gcc.h`.

The `xreg_cortexa53.h` file contains definitions for inline assembler code. It provides inline definitions for Cortex A53 GPRs, SPRs and floating point registers.

The `xpseudo_asm_gcc.h` contains the definitions for the most often used inline assembler instructions, available as macros. These can be very useful for tasks such as setting or getting special purpose registers, synchronization, or cache manipulation etc. These inline assembler instructions can be used from drivers and user applications written in C.

LwIP 2.1.1 Library v1.5

Introduction

The lwIP is an open source TCP/IP protocol suite available under the BSD license. The lwIP is a standalone stack; there are no operating systems dependencies, although it can be used along with operating systems. The lwIP provides two APIs for use by applications:

- RAW API: Provides access to the core lwIP stack.
- Socket API: Provides a BSD sockets style interface to the stack.

The lwip211_v1.5 is built on the open source lwIP library version 2.1.1. The lwip211 library provides adapters for the Ethernetlite (axi_ethernetlite), the TEMAC (axi_ethernet), and the Gigabit Ethernet controller and MAC (GigE) cores. The library can run on MicroBlaze™, Arm® Cortex-A9, Arm Cortex®-A53, Arm Cortex-A72, and Arm Cortex-R5F processors. The Ethernetlite and TEMAC cores apply for MicroBlaze systems. The Gigabit Ethernet controller and MAC (GigE) core is applicable only for Arm Cortex-A9 system (Zynq®-7000 processor devices) and Arm Cortex-A53 & Arm Cortex-R5F system (Zynq® UltraScale+™ MPSoC), and Arm Cortex-A72 and Arm Cortex-R5F system (Versal™ ACAP).

Features

The lwIP provides support for the following protocols:

- Internet Protocol (IP)
- Internet Control Message Protocol (ICMP)
- User Datagram Protocol (UDP)
- TCP (Transmission Control Protocol (TCP)
- Address Resolution Protocol (ARP)
- Dynamic Host Configuration Protocol (DHCP)
- Internet Group Message Protocol (IGMP)

References

- FreeRTOS: <http://www.freertos.org/>
- [LwIP Wiki](#)
- Xilinx LwIP designs and application examples: *LightWeight IP Application Examples (XAPP1026)*
- LwIP examples using RAW and Socket APIs: <http://savannah.nongnu.org/projects/lwip/>
- FreeRTOS port for Zynq®-7000 devices is available for download from the [FreeRTOS website](#).

Using lwIP

Overview

The following are the key steps to use lwIP for networking:

1. Creating a hardware system containing the processor, ethernet core, and a timer. The timer and ethernet interrupts must be connected to the processor using an interrupt controller.
2. Configuring lwip211_v1.5 to be a part of the software platform. For operating with lwIP socket API, the Xilkernel library or FreeRTOS BSP is a prerequisite. See the Note below.

Note: The Xilkernel library is available only for MicroBlaze systems. For Cortex-A9 based systems (Zynq devices), Cortex-A53 or Cortex-R5F based systems (Zynq UltraScale+ MPSoC), and Arm Cortex-A72 and Arm Cortex-R5F system (Versal ACAP). There is no support for Xilkernel. Instead, use FreeRTOS. A FreeRTOS BSP is available for Zynq, Zynq UltraScale+ MPSoC, and Versal systems and must be included for using lwIP socket API. The FreeRTOS BSP for Zynq devices, Zynq UltraScale+ MPSoC, and Versal ACAP is available for download from the [FreeRTOS website](#).

Setting up the Hardware System

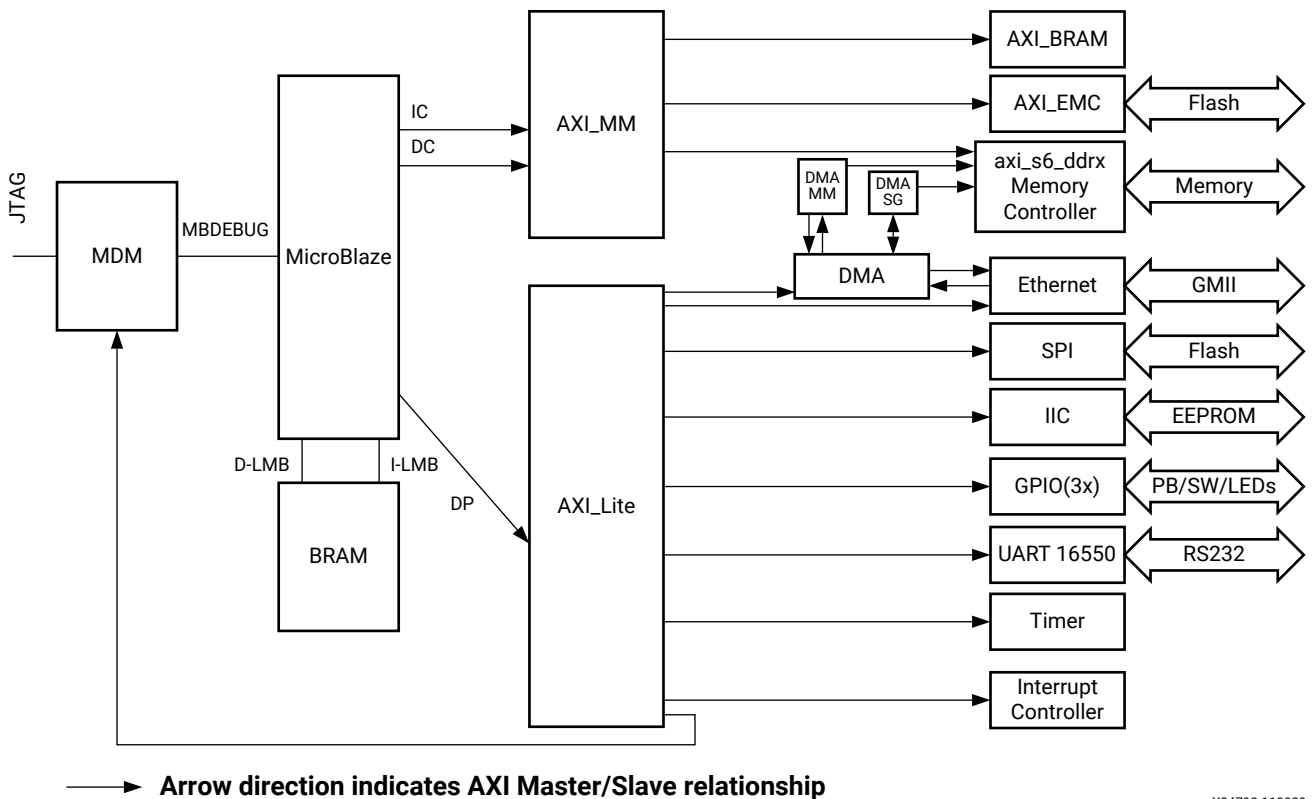
This section describes the hardware configurations supported by lwIP. The key components of the hardware system include:

- **Processor:** Either a MicroBlaze or a Cortex-A9 or a Cortex-A53 or a Cortex-R5F processor or a Cortex-A72. The Cortex-A9 processor applies to Zynq systems. The Cortex-A53 and Cortex-R5F processors apply to Zynq UltraScale+ MPSoC systems. The Cortex-A72 and Cortex-R5F processors apply to Versal ACAP systems.
- **MAC:** LwIP supports axi_ethernetlite, axi_ethernet, and Gigabit Ethernet controller and MAC (GigE) cores.
- **Timer:** To maintain TCP timers, lwIP raw API based applications require that certain functions are called at periodic intervals by the application. An application can do this by registering an interrupt handler with a timer.

- **DMA:** For axi_ethernet based systems, the axi_ethernet cores can be configured with a soft DMA engine (AXI DMA and MCDMA) or a FIFO interface. For GigE-based Zynq devices, Zynq UltraScale+ MPSoC, and Versal ACAP systems, there is a built-in DMA and so no extra configuration is needed. Same applies to axi_ethernetlite based systems, which have their built-in buffer management provisions.

The following figure shows a sample system architecture with a Kintex-6 device using the axi_ethernet core with DMA.

Figure 1: System Architecture using axi_ethernet core with DMA



X24798-110920

Setting up the Software System

To use lwIP in a software application, you must first compile the lwIP library as a part of the software application.

1. Click File > New > Platform Project.
2. Click Specify to create a new Hardware Platform Specification.
3. Provide a new name for the domain in the Project name field if you wish to override the default value.

4. Select the location for the board support project files. To use the default location, as displayed in the Location field, leave the Use default location check box selected. Otherwise, deselect the checkbox and then type or browse to the directory location.
5. From the Hardware Platform drop-down choose the appropriate platform for your application or click the New button to browse to an existing Hardware Platform.
6. Select the target CPU from the drop-down list.
7. From the Board Support Package OS list box, select the type of board support package to create. A description of the platform types displays in the box below the drop-down list.
8. Click Finish. The wizard creates a new software platform and displays it in the Vitis Navigator pane.
9. Select Project > Build Automatically to automatically build the board support package. The Board Support Package Settings dialog box opens. Here you can customize the settings for the domain.
10. Click OK to accept the settings, build the platform, and close the dialog box.
11. From the Explorer, double-click platform.spr file and select the appropriate domain/board support package. The overview page opens.
12. In the overview page, click Modify BSP Settings.
13. Using the Board Support Package Settings page, you can select the OS Version and which of the Supported Libraries are to be enabled in this domain/BSP.
14. Select the lwip211 library from the list of Supported Libraries.
15. Expand the Overview tree and select lwip211. The configuration options for the lwip211 library are listed.
16. Configure the lwip211 library and click OK.

Configuring lwIP Options

The lwIP library provides configurable parameters. There are two major categories of configurable options:

- Xilinx Adapter to lwIP options: These control the settings used by Xilinx adapters for the ethernet cores.
- Base lwIP options: These options are part of lwIP library itself, and include parameters for TCP, UDP, IP and other protocols supported by lwIP. The following sections describe the available lwIP configurable options.

Customizing lwIP API Mode

The lwip211_v1.5 supports both raw API and socket API:

- The raw API is customized for high performance and lower memory overhead. The limitation of raw API is that it is callback-based, and consequently does not provide portability to other TCP stacks.
- The socket API provides a BSD socket-style interface and is very portable; however, this mode is not as efficient as raw API mode in performance and memory requirements. The lwip211_v1.5 also provides the ability to set the priority on TCP/IP and other lwIP application threads.

The following table describes the lwIP library API mode options.

Attribute	Description	Type	Default
api_mode {RAW_API SOCKET_API}	The lwIP library mode of operation	enum	RAW_API
socket_mode_thread_prio	Priority of lwIP TCP/IP thread and all lwIP application threads. This setting applies only when Xilkernel is used in priority mode. It is recommended that all threads using lwIP run at the same priority level. For GigE based Zynq-7000, Zynq UltraScale+ MPSoC, and Versal systems using FreeRTOS, appropriate priority should be set. The default priority of 1 will not give the expected behavior. For FreeRTOS (Zynq-7000, Zynq UltraScale+ MPSoC, and Versal systems), all internal lwIP tasks (except the main TCP/IP task) are created with the priority level set for this attribute. The TCP/IP task is given a higher priority than other tasks for improved performance. The typical TCP/IP task priority is 1 more than the priority set for this attribute for FreeRTOS.	integer	1
use_axieth_on_zynq	In the event that the AxiEthernet soft IP is used on a Zynq-7000 device or a Zynq UltraScale+ MPSoC. This option ensures that the GigE on the Zynq-7000 PS (EmacPs) is not enabled and the device uses the AxiEthernet soft IP for Ethernet traffic. The existing Xilinx-provided lwIP adapters are not tested for multiple MACs. Multiple Axi Ethernet's are not supported on Zynq UltraScale+ MPSoCs.	integer	0 = Use Zynq-7000 PS-based or Zynq UltraScale+ MPSoC PS-based GigE controller 1= User AxiEthernet

Configuring Xilinx Adapter Options

The Xilinx adapters for EMAC/GigE cores are configurable.

Ethernetlite Adapter Options

The following table describes the configuration parameters for the axi_ethernetlite adapter.

Attribute	Description	Type	Default
sw_rx_fifo_size	Software Buffer Size in bytes of the receive data between EMAC and processor	integer	8192
sw_tx_fifo_size	Software Buffer Size in bytes of the transmit data between processor and EMAC	integer	8192

TEMAC Adapter Options

The following table describes the configuration parameters for the axi_ethernet and GigE adapters.

Attribute	Type	Description
n_tx_descriptors	integer	Number of TX descriptors to be used. For high performance systems there might be a need to use a higher value. Default is 64.
n_rx_descriptors	integer	Number of RX descriptors to be used. For high performance systems there might be a need to use a higher value. Typical values are 128 and 256. Default is 64.
n_tx_coalesce	integer	Setting for TX interrupt coalescing. Default is 1.
n_rx_coalesce	integer	Setting for RX interrupt coalescing. Default is 1.
tcp_rx_checksum_offload	boolean	Offload TCP Receive checksum calculation (hardware support required). For GigE in Zynq devices, Zynq UltraScale+ MPSoC, and Versal ACAP, the TCP receive checksum offloading is always present, so this attribute does not apply. Default is false.
tcp_tx_checksum_offload	boolean	Offload TCP Transmit checksum calculation (hardware support required). For GigE cores (Zynq devices, Zynq UltraScale+ MPSoC, and Versal ACAP), the TCP transmit checksum offloading is always present, so this attribute does not apply. Default is false.

Attribute	Type	Description
tcp_ip_rx_checksum_ofload	boolean	Offload TCP and IP Receive checksum calculation (hardware support required). Applicable only for AXI systems. For GigE in Zynq devices, Zynq UltraScale+ MPSoC, and Versal ACAP, the TCP and IP receive checksum offloading is always present, so this attribute does not apply. Default is false.
tcp_ip_tx_checksum_ofload	boolean	Offload TCP and IP Transmit checksum calculation (hardware support required). Applicable only for AXI systems. For GigE in Zynq, Zynq UltraScale+ MPSoC, and Versal ACAP, the TCP and IP transmit checksum offloading is always present, so this attribute does not apply. Default is false.
phy_link_speed	CONFIG_LINKSPEED_AUTODETECT	Link speed as auto-negotiated by the PHY. lwIP configures the TEMAC/GigE for this speed setting. This setting must be correct for the TEMAC/GigE to transmit or receive packets. The CONFIG_LINKSPEED_AUTODETECT setting attempts to detect the correct link speed by reading the PHY registers; however, this is PHY dependent, and has been tested with the Marvell and TI PHYs present on Xilinx development boards. For other PHYs, select the correct speed. Default is enum.
temac_use_jumbo_frames_experimental	boolean	Use TEMAC jumbo frames (with a size up to 9k bytes). If this option is selected, jumbo frames are allowed to be transmitted and received by the TEMAC. For GigE in Zynq there is no support for jumbo frames, so this attribute does not apply. Default is false.

Configuring Memory Options

The lwIP stack provides different kinds of memories. Similarly, when the application uses socket mode, different memory options are used. All the configurable memory options are provided as a separate category. Default values work well unless application tuning is required. The following table describes the memory parameter options.

Attribute	Default	Type	Description
mem_size	131072	Integer	Total size of the heap memory available, measured in bytes. For applications which use a lot of memory from heap (using C library malloc or lwIP routine mem_malloc or pbuf_alloc with PBUF_RAM option), this number should be made higher as per the requirements.
memp_n_pbuf	16	Integer	The number of memp struct pbufs. If the application sends a lot of data out of ROM (or other static memory), this should be set high.
memp_n_udp_pcb	4	Integer	The number of UDP protocol control blocks. One per active UDP connection.
memp_n_tcp_pcb	32	Integer	The number of simultaneously active TCP connections.
memp_n_tcp_pcb_listen	8	Integer	The number of listening TC connections.
memp_n_tcp_seg	256	Integer	The number of simultaneously queued TCP segments.
memp_n_sys_timeout	8	Integer	Number of simultaneously active timeouts.
memp_num_netbuf	8	Integer	Number of allowed structure instances of type netbufs. Applicable only in socket mode.
memp_num_netconn	16	Integer	Number of allowed structure instances of type netconns. Applicable only in socket mode.
memp_num_api_msg	16	Integer	Number of allowed structure instances of type api_msg. Applicable only in socket mode.
memp_num_tcpip_msg	64	Integer	Number of TCPIP msg structures (socket mode only).

Note: Because Sockets Mode support uses Xilkernel services, the number of semaphores chosen in the Xilkernel configuration must take the value set for the memp_num_netbuf parameter into account. For FreeRTOS BSP there is no setting for the maximum number of semaphores. For FreeRTOS, you can create semaphores as long as memory is available.

Configuring Packet Buffer (Pbuf) Memory Options

Packet buffers (Pbufs) carry packets across various layers of the TCP/IP stack. The following are the pbuf memory options provided by the lwIP stack. Default values work well unless application tuning is required. The following table describes the parameters for the Pbuf memory options.

Attribute	Default	Type	Description
pbuf_pool_size	256	Integer	Number of buffers in pbuf pool. For high performance systems, you might consider increasing the pbuf pool size to a higher value, such as 512.
pbuf_pool_bufsize	1700	Integer	Size of each pbuf in pbuf pool. For systems that support jumbo frames, you might consider using a pbuf pool buffer size that is more than the maximum jumbo frame size.
pbuf_link_hlen	16	Integer	Number of bytes that should be allocated for a link level header.

Configuring ARP Options

The following table describes the parameters for the ARP options. Default values work well unless application tuning is required.

Attribute	Default	Type	Description
arp_table_size	10	Integer	Number of active hardware address IP address pairs cached.
arp_queueing	1	Integer	If enabled outgoing packets are queued during hardware address resolution. This attribute can have two values: 0 or 1.

Configuring IP Options

The following table describes the IP parameter options. Default values work well unless application tuning is required.

Attribute	Default	Type	Description
ip_forward	0	Integer	Set to 1 for enabling ability to forward IP packets across network interfaces. If running lwIP on a single network interface, set to 0. This attribute can have two values: 0 or 1.

Attribute	Default	Type	Description
ip_options	0	Integer	When set to 1, IP options are allowed (but not parsed). When set to 0, all packets with IP options are dropped. This attribute can have two values: 0 or 1.
ip_reassembly	1	Integer	Reassemble incoming fragmented IP packets.
ip_frag	1	Integer	Fragment outgoing IP packets if their size exceeds MTU.
ip_reass_max_pbufs	128	Integer	Reassembly pbuf queue length.
ip_frag_max_mtu	1500	Integer	Assumed max MTU on any interface for IP fragmented buffer.
ip_default_ttl	255	Integer	Global default TTL used by transport layers.

Configuring ICMP Options

The following table describes the parameter for ICMP protocol option. Default values work well unless application tuning is required.

For GigE cores (for Zynq and Zynq MPSoC) there is no support for ICMP in the hardware.

Attribute	Default	Type	Description
icmp_ttl	255	Integer	ICMP TTL value.

Configuring IGMP Options

The IGMP protocol is supported by lwIP stack. When set true, the following option enables the IGMP protocol.

Attribute	Default	Type	Description
imgp_options	false	Boolean	Specify whether IGMP is required.

Configuring UDP Options

The following table describes UDP protocol options. Default values work well unless application tuning is required.

Attribute	Default	Type	Description
lwip_udp	true	Boolean	Specify whether UDP is required.
udp_ttl	255	Integer	UDP TTL value.

Configuring TCP Options

The following table describes the TCP protocol options. Default values work well unless application tuning is required.

Attribute	Default	Type	Description
lwip_tcp	true	Boolean	Require TCP.
tcp_ttl	255	Integer	TCP TTL value.
tcp_wnd	2048	Integer	TCP Window size in bytes.
tcp_maxrtx	12	Integer	TCP Maximum retransmission value.
tcp_synmaxrtx	4	Integer	TCP Maximum SYN retransmission value.
tcp_queue_ooseq	1	Integer	Accept TCP queue segments out of order. Set to 0 if your device is low on memory.
tcp_mss	1460	Integer	TCP Maximum segment size.
tcp_snd_buf	8192	Integer	TCP sender buffer space in bytes.

Configuring DHCP Options

The DHCP protocol is supported by lwIP stack. The following table describes DHCP protocol options. Default values work well unless application tuning is required.

Attribute	Default	Type	Description
lwip_dhcp	false	Boolean	Specify whether DHCP is required.
dhcp_does_arp_check	false	Boolean	Specify whether ARP checks on offered addresses.

Configuring the Stats Option

lwIP stack has been written to collect statistics, such as the number of connections used; amount of memory used; and number of semaphores used, for the application. The library provides the stats_display() API to dump out the statistics relevant to the context in which the call is used. The stats option can be turned on to enable the statistics information to be collected and displayed when the stats_display API is called from user code. Use the following option to enable collecting the stats information for the application.

Attribute	Description	Type	Default
lwip_stats	Turn on lwIP Statistics	int	0

Configuring the Debug Option

LwIP provides debug information. The following table lists all the available options.

Attribute	Default	Type	Description
lwip_debug	false	Boolean	Turn on/off lwIP debugging.
ip_debug	false	Boolean	Turn on/off IP layer debugging.
tcp_debug	false	Boolean	Turn on/off TCP layer debugging.
udp_debug	false	Boolean	Turn on/off UDP layer debugging.
icmp_debug	false	Boolean	Turn on/off ICMP protocol debugging.
igmp_debug	false	Boolean	Turn on/off IGMP protocol debugging.
netif_debug	false	Boolean	Turn on/off network interface layer debugging.
sys_debug	false	Boolean	Turn on/off sys arch layer debugging.
pbuf_debug	false	Boolean	Turn on/off pbuf layer debugging.

LwIP Library APIs

The lwIP library provides two different APIs: RAW API and Socket API.

Raw API

The Raw API is callback based. Applications obtain access directly into the TCP stack and vice-versa. As a result, there is no extra socket layer, and using the Raw API provides excellent performance at the price of compatibility with other TCP stacks.

Xilinx Adapter Requirements when using the RAW API

In addition to the lwIP RAW API, the Xilinx adapters provide the `xemacif_input` utility function for receiving packets. This function must be called at frequent intervals to move the received packets from the interrupt handlers to the lwIP stack. Depending on the type of packet received, lwIP then calls registered application callbacks. The `<Vitis_install_path>/sw/ThirdParty/sw_services/lwip211/src/lwip-2.1.1/doc/rawapi.txt` file describes the lwIP Raw API.

LwIP Performance

The following table provides the maximum TCP throughput achievable by FPGA, CPU, EMAC, and system frequency in RAW modes. Applications requiring high performance should use the RAW API.

FPGA	CPU	EMAC	System Frequency	Max TCP Throughput in RAW Mode (Mbps)
Virtex	MicroBlaze	axi-ethernet	100 MHz	RX Side: 182 TX Side: 100
Virtex	MicroBlaze	xps-ll-temac	100 MHz	RX Side: 178 TX Side: 100
Virtex	MicroBlaze	xps-ethernetlite	100 MHz	RX Side: 50 TX Side: 38

RAW API Example

Applications using the RAW API are single threaded. The following pseudo-code illustrates a typical RAW mode program structure.

```
int main()
{
    struct netif *netif, server_netif;
    ip_addr_t ipaddr, netmask, gw;

    unsigned char mac_ethernet_address[] =
        {0x00, 0x0a, 0x35, 0x00, 0x01, 0x02};

    lwip_init();

    if (!xemac_add(netif, &ipaddr, &netmask,
        &gw, mac_ethernet_address,
        EMAC_BASEADDR)) {
        printf("Error adding N/W interface\n\r");
        return -1;
    }
    netif_set_default(netif);

    platform_enable_interrupts();

    netif_set_up(netif);

    start_application();

    while (1) {
        xemacif_input(netif);

        transfer_data();
    }
}
```

Socket API

The lwIP socket API provides a BSD socket-style API to programs. This API provides an execution model that is a blocking, open-read-write-close paradigm.

Xilinx Adapter Requirements when using the Socket API

Applications using the Socket API with Xilinx adapters need to spawn a separate thread called `xemacif_input_thread`. This thread takes care of moving received packets from the interrupt handlers to the `tcpip_thread` of the lwIP. Application threads that use lwIP must be created using the lwIP `sys_thread_new` API. Internally, this function makes use of the appropriate thread or task creation routines provided by XilKernel or FreeRTOS.

Xilkernel/FreeRTOS scheduling policy when using the Socket API

lwIP in socket mode requires the use of the Xilkernel or FreeRTOS, which provides two policies for thread scheduling: round-robin and priority based. There are no special requirements when round-robin scheduling policy is used because all threads or tasks with same priority receive the same time quanta. This quanta is fixed by the RTOS (Xilkernel or FreeRTOS) being used. With priority scheduling, care must be taken to ensure that lwIP threads or tasks are not starved. For Xilkernel, lwIP internally launches all threads at the priority level specified in `socket_mode_thread_prio`. For FreeRTOS, lwIP internally launches all tasks except the main TCP/IP task at the priority specified in `socket_mode_thread_prio`. The TCP/IP task in FreeRTOS is launched with a higher priority (one more than priority set in `socket_mode_thread_prio`). In addition, application threads must launch `xemacif_input_thread`. The priorities of both `xemacif_input_thread`, and the lwIP internal threads (`socket_mode_thread_prio`) must be high enough in relation to the other application threads so that they are not starved.

Socket API Example

XilKernel-based applications in socket mode can specify a static list of threads that Xilkernel spawns on startup in the Xilkernel Software Platform Settings dialog box. Assuming that `main_thread()` is a thread specified to be launched by Xilkernel, control reaches this first thread from application `main` after the Xilkernel schedule is started. In `main_thread`, one more thread (network_thread) is created to initialize the MAC layer. For FreeRTOS (Zynq, Zynq Ultrascale+, and Versal processor systems) based applications, once the control reaches

application `main` routine, a task (can be termed as `main_thread`) with an entry point function as `main_thread()` is created before starting the scheduler. After the FreeRTOS scheduler starts, the control reaches `main_thread()`, where the lwIP internal initialization happens. The application then creates one more thread (`network_thread`) to initialize the MAC layer. The following pseudo-code illustrates a typical socket mode program structure.

```
void network_thread(void *p)
{
    struct netif *netif;
    ip_addr_t ipaddr, netmask, gw;

    unsigned char mac_ethernet_address[] =
        {0x00, 0x0a, 0x35, 0x00, 0x01, 0x02};

    netif = &server_netif;

    IP4_ADDR(&ipaddr, 192, 168, 1, 10);
    IP4_ADDR(&netmask, 255, 255, 255, 0);
    IP4_ADDR(&gw, 192, 168, 1, 1);

    if (!xemac_add(netif, &ipaddr, &netmask,
                  &gw, mac_ethernet_address,
                  EMAC_BASEADDR)) {
        printf("Error adding N/W interface\n\r");
        return;
    }
    netif_set_default(netif);

    netif_set_up(netif);

    sys_thread_new("xemacif_input_thread", xemacif_input_thread,
                  netif,
                  THREAD_STACKSIZE, DEFAULT_THREAD_PRIO);

    sys_thread_new("httpd" web_application_thread, 0,
                  THREAD_STACKSIZE DEFAULT_THREAD_PRIO);
}

int main_thread()
{
    lwip_init();

    sys_thread_new("network_thread" network_thread, NULL,
                  THREAD_STACKSIZE DEFAULT_THREAD_PRIO);

    return 0;
}
```

Using the Xilinx Adapter Helper Functions

The Xilinx adapters provide the following helper functions to simplify the use of the lwIP APIs.

Table 161: Quick Function Reference

Type	Name	Arguments
void	xemacif_input_thread	void
struct netif *	xemac_add	void
void	lwip_init	void
int	xemacif_input	void
void	xemacpsif_resetrx_on_no_rxdata	void

Functions

xemacif_input_thread

In the socket mode, the application thread must launch a separate thread to receive the input packets. This performs the same work as the RAW mode function, [xemacif_input\(\)](#), except that it resides in its own separate thread; consequently, any lwIP socket mode application is required to have code similar to the following in its main thread:

Note: For Socket mode only.

```
sys_thread_new("xemacif_input_thread",
               xemacif_input_thread
               , netif, THREAD_STACK_SIZE, DEFAULT_THREAD_Prio);
```

The application can then continue launching separate threads for doing application specific tasks. The [xemacif_input_thread\(\)](#) receives data processed by the interrupt handlers, and passes them to the lwIP [tcpip_thread](#).

Prototype

```
void xemacif_input_thread(struct netif *netif);
```

Returns

xemac_add

The `xemac_add()` function provides a unified interface to add any Xilinx EMAC IP as well as GigE core. This function is a wrapper around the lwIP `netif_add` function that initializes the network interface 'netif' given its IP address `ipaddr`, netmask, the IP address of the gateway, `gw`, the 6 byte ethernet address `mac_ethernet_address`, and the base address, `mac_baseaddr`, of the `axi_ethernetlite` or `axi_ethernet` MAC core.

Prototype

```
struct netif * xemac_add(struct netif *netif, ip_addr_t *ipaddr, ip_addr_t
*netmask, ip_addr_t *gw, unsigned char *mac_ethernet_address, unsigned
mac_baseaddr);
```

lwip_init

Initialize all modules. Use this in NO_SYS mode. Use `tcpip_init()` otherwise.

This function provides a single initialization function for the lwIP data structures. This replaces specific calls to initialize stats, system, memory, pbufs, ARP, IP, UDP, and TCP layers.

Prototype

```
void lwip_init(void);
```

xemacif_input

The Xilinx lwIP adapters work in interrupt mode. The receive interrupt handlers move the packet data from the EMAC/GigE and store them in a queue. The `xemacif_input()` function takes those packets from the queue, and passes them to lwIP; consequently, this function is required for lwIP operation in RAW mode. The following is a sample lwIP application in RAW mode.

Note: For RAW mode only.

```
while (1) {

    xemacif_input
    (netif);

}
```

Note: The program is notified of the received data through callbacks.

Prototype

```
int xemacif_input(struct netif *netif);
```

Returns

xemacpsif_resetrx_on_no_rxdata

There is an errata on the GigE controller that is related to the Rx path. The errata describes conditions whereby the Rx path of GigE becomes completely unresponsive with heavy Rx traffic of small sized packets. The condition occurrence is rare; however a software reset of the Rx logic in the controller is required when such a condition occurs. This API must be called periodically (approximately every 100 milliseconds using a timer or thread) from user applications to ensure that the Rx path never becomes unresponsive for more than 100 milliseconds.

Note: Used in both Raw and Socket mode and applicable only for the Zynq-7000 devices, Zynq UltraScale+ MPSoC, and Versal processors and the GigE controller

Prototype

```
void xemacpsif_resetrx_on_no_rxdata(struct netif *netif);
```

Returns

XilFlash Library v4.9

Overview

The XilFlash library provides read/write/erase/lock/unlock features to access a parallel flash device.

This library implements the functionality for flash memory devices that conform to the "Common Flash Interface" (CFI) standard. CFI allows a single flash library to be used for an entire family of parts and helps us determine the algorithm to utilize during runtime.

Note: All the calls in the library are blocking in nature in that the control is returned back to user only after the current operation is completed successfully or an error is reported.

Library Initialization

The `XFlash_Initialize()` function should be called by the application before any other function in the library. The initialization function checks for the device family and initializes the XFlash instance with the family specific data. The VT table (contains the function pointers to family specific APIs) is setup and family specific initialization routine is called.

Note: The XilFlash library is not supported by Zynq Ultrascale+ MPSoC and Versal platforms.

Device Geometry

The device geometry varies for different flash device families.

Following sections describes the geometry of different flash device families:

Intel Flash Device Geometry

Flash memory space is segmented into areas called blocks. The size of each block is based on a power of 2. A region is defined as a contiguous set of blocks of the same size. Some parts have several regions while others have one. The arrangement of blocks and regions is referred to by this module as the part's geometry. Some Intel flash supports multiple banks on the same device. This library supports single and multiple bank flash devices.

AMD Flash Device Geometry

Flash memory space is segmented into areas called banks and further in to regions and blocks. The size of each block is based on a power of 2. A region is defined as a contiguous set of blocks of the same size. Some parts have several regions while others have one. A bank is defined as a contiguous set of blocks. The bank may contain blocks of different size. The arrangement of blocks, regions and banks is referred to by this module as the part's geometry. The cells within the part can be programmed from a logic 1 to a logic 0 and not the other way around. To change a cell back to a logic 1, the entire block containing that cell must be erased. When a block is erased all bytes contain the value 0xFF. The number of times a block can be erased is finite. Eventually the block will wear out and will no longer be capable of erasure. As of this writing, the typical flash block can be erased 100,000 or more times.

Write Operation

The write call can be used to write a minimum of zero bytes and a maximum entire flash. If the Offset Address specified to write is out of flash or if the number of bytes specified from the Offset address exceed flash boundaries an error is reported back to the user. The write is blocking in nature in that the control is returned back to user only after the write operation is completed successfully or an error is reported.

Read Operation

The read call can be used to read a minimum of zero bytes and maximum of entire flash. If the Offset Address specified to write is out of flash boundary an error is reported back to the user. The read function reads memory locations beyond Flash boundary. Care should be taken by the user to make sure that the Number of Bytes + Offset address is within the Flash address boundaries. The read is blocking in nature in that the control is returned back to user only after the read operation is completed successfully or an error is reported.

Erase Operation

The erase operations are provided to erase a Block in the Flash memory. The erase call is blocking in nature in that the control is returned back to user only after the erase operation is completed successfully or an error is reported.

Sector Protection

The Flash Device is divided into Blocks. Each Block can be protected individually from unwarranted writing/erasing. The Block locking can be achieved using `XFlash_Lock()` lock. All the memory locations from the Offset address specified will be locked. The block can be unlocked using `XFlash_UnLock()` call. All the Blocks which are previously locked will be unlocked. The Lock and Unlock calls are blocking in nature in that the control is returned back to user only after the operation is completed successfully or an error is reported. The AMD flash device requires high voltage on Reset pin to perform lock and unlock operation. User must provide this high voltage (As defined in datasheet) to reset pin before calling lock and unlock API for AMD flash devices. Lock and Unlock features are not tested for AMD flash device.

Device Control

Functionalities specific to a Flash Device Family are implemented as Device Control. The following are the Intel specific device control:

- Retrieve the last error data.
- Get Device geometry.
- Get Device properties.
- Set RYBY pin mode.
- Set the Configuration register (Platform Flash only).

The following are the AMD specific device control:

- Get Device geometry.
- Get Device properties.
- Erase Resume.
- Erase Suspend.
- Enter Extended Mode.
- Exit Extended Mode.
- Get Protection Status of Block Group.
- Erase Chip.

Note: This library needs to know the type of EMC core (AXI or XPS) used to access the cfi flash, to map the correct APIs. This library should be used with the emc driver, v3_01_a and above, so that this information can be automatically obtained from the emc driver.

This library is intended to be RTOS and processor independent. It works with physical addresses only. Any needs for dynamic memory management, threads, mutual exclusion, virtual memory, cache control, or HW write protection management must be satisfied by the layer above this library. All writes to flash occur in units of bus-width bytes. If more than one part exists on the data bus, then the parts are written in parallel. Reads from flash are performed in any width up to the width of the data bus. It is assumed that the flash bus controller or local bus supports these types of accesses.

XilFlash Library API

This section provides a linked summary and detailed descriptions of the XilFlash library APIs.

Table 162: Quick Function Reference

Type	Name	Arguments
int	XFlash_Initialize	XFlash * InstancePtr u32 BaseAddress u8 BusWidth int IsPlatformFlash
int	XFlash_Reset	XFlash * InstancePtr
int	XFlash_DeviceControl	XFlash * InstancePtr u32 Command DeviceCtrlParam * Parameters
int	XFlash_Read	XFlash * InstancePtr u32 Offset u32 Bytes void * DestPtr
int	XFlash_Write	XFlash * InstancePtr u32 Offset u32 Bytes void * SrcPtr
int	XFlash_Erase	XFlash * InstancePtr u32 Offset u32 Bytes
int	XFlash_Lock	XFlash * InstancePtr u32 Offset u32 Bytes

Table 162: Quick Function Reference (cont'd)

Type	Name	Arguments
int	XFlash_Unlock	XFlash * InstancePtr u32 Offset u32 Bytes
int	XFlash_IsReady	XFlash * InstancePtr

Functions

XFlash_Initialize

This function initializes a specific XFlash instance.

The initialization entails:

- Check the Device family type.
- Issuing the CFI query command.
- Get and translate relevant CFI query information.
- Set default options for the instance.
- Setup the VTable.
- Call the family initialize function of the instance.

Initialize the Xilinx Platform Flash XL to Async mode if the user selects to use the Platform Flash XL in the MLD. The Platform Flash XL is an Intel CFI complaint device.

- XFLASH_PART_NOT_SUPPORTED if the command set algorithm or Layout is not supported by any flash family compiled into the system.
- XFLASH_CFI_QUERY_ERROR if the device would not enter CFI query mode. Either the device(s) do not support CFI, the wrong BaseAddress param was used, an unsupported part layout exists, or a hardware problem exists with the part.

Note: BusWidth is not the width of an individual part. Its the total operating width. For example, if there are two 16-bit parts, with one tied to data lines D0-D15 and other tied to D15-D31, BusWidth would be $(32 / 8) = 4$. If a single 16-bit flash is in 8-bit mode, then BusWidth should be $(8 / 8) = 1$.

Prototype

```
int XFlash_Initialize(XFlash *InstancePtr, u32 BaseAddress, u8 BusWidth,
int IsPlatformFlash);
```

Parameters

The following table lists the `XFlash_Initialize` function arguments.

Table 163: XFlash_Initialize Arguments

Type	Name	Description
XFlash *	InstancePtr	Pointer to the XFlash instance.
u32	BaseAddress	Base address of the flash memory.
u8	BusWidth	Total width of the flash memory, in bytes
int	IsPlatformFlash	Used to specify if the flash is a platform flash.

Returns

- XST_SUCCESS if successful.

XFlash_Reset

This function resets the flash device and places it in read mode.

Note: None.

Prototype

```
int XFlash_Reset(XFlash *InstancePtr);
```

Parameters

The following table lists the `XFlash_Reset` function arguments.

Table 164: XFlash_Reset Arguments

Type	Name	Description
XFlash *	InstancePtr	Pointer to the XFlash instance.

Returns

- XST_SUCCESS if successful.
- XFLASH_BUSY if the flash devices were in the middle of an operation and could not be reset.
- XFLASH_ERROR if the device(s) have experienced an internal error during the operation. `XFlash_DeviceControl()` must be used to access the cause of the device specific error condition.

XFlash_DeviceControl

This function is used to execute device specific commands.

For a list of device specific commands, see the xilflash.h.

Note: None.

Prototype

```
int XFlash_DeviceControl(XFlash *InstancePtr, u32 Command, DeviceCtrlParam *Parameters);
```

Parameters

The following table lists the XFlash_DeviceControl function arguments.

Table 165: XFlash_DeviceControl Arguments

Type	Name	Description
XFlash *	InstancePtr	Pointer to the XFlash instance.
u32	Command	Device specific command to issue.
DeviceCtrlParam *	Parameters	Specifies the arguments passed to the device control function.

Returns

- XST_SUCCESS if successful.
- XFLASH_NOT_SUPPORTED if the command is not recognized/supported by the device(s).

XFlash_Read

This function reads the data from the Flash device and copies it into the specified user buffer.

The source and destination addresses can be on any alignment supported by the processor.

The device is polled until an error or the operation completes successfully.

Note: This function allows the transfer of data past the end of the device's address space. If this occurs, then results are undefined.

Prototype

```
int XFlash_Read(XFlash *InstancePtr, u32 Offset, u32 Bytes, void *DestPtr);
```

Parameters

The following table lists the XFlash_Read function arguments.

Table 166: XFlash_Read Arguments

Type	Name	Description
XFlash *	InstancePtr	Pointer to the XFlash instance.
u32	Offset	Offset into the device(s) address space from which to read.
u32	Bytes	Number of bytes to copy.
void *	DestPtr	Destination address to copy data to.

Returns

- XST_SUCCESS if successful.
- XFLASH_ADDRESS_ERROR if the source address does not start within the addressable areas of the device(s).

XFlash_Write

This function programs the flash device(s) with data specified in the user buffer.

The source and destination address must be aligned to the width of the flash's data bus.

The device is polled until an error or the operation completes successfully.

Note: None.

Prototype

```
int XFlash_Write(XFlash *InstancePtr, u32 Offset, u32 Bytes, void *SrcPtr);
```

Parameters

The following table lists the XFlash_Write function arguments.

Table 167: XFlash_Write Arguments

Type	Name	Description
XFlash *	InstancePtr	Pointer to the XFlash instance.
u32	Offset	Offset into the device(s) address space from which to begin programming. Must be aligned to the width of the flash's data bus.
u32	Bytes	Number of bytes to program.
void *	SrcPtr	Source address containing data to be programmed. Must be aligned to the width of the flash's data bus. The SrcPtr doesn't have to be aligned to the flash width if the processor supports unaligned access. But, since this library is generic, and some processors(eg. Microblaze) do not support unaligned access; this API requires the SrcPtr to be aligned.

Returns

- XST_SUCCESS if successful.
- XFLASH_ERROR if a write error occurred. This error is usually device specific. Use `XFlash_DeviceControl()` to retrieve specific error conditions. When this error is returned, it is possible that the target address range was only partially programmed.

XFlash_Erase

This function erases the specified address range in the flash device.

The number of bytes to erase can be any number as long as it is within the bounds of the device(s).

The device is polled until an error or the operation completes successfully.

Note: Due to flash memory design, the range actually erased may be larger than what was specified by the Offset & Bytes parameters. This will occur if the parameters do not align to block boundaries.

Prototype

```
int XFlash_Erase(XFlash *InstancePtr, u32 Offset, u32 Bytes);
```

Parameters

The following table lists the `XFlash_Erase` function arguments.

Table 168: XFlash_Erase Arguments

Type	Name	Description
XFlash *	InstancePtr	Pointer to the XFlash instance.
u32	Offset	Offset into the device(s) address space from which to begin erasure.
u32	Bytes	Number of bytes to erase.

Returns

- XST_SUCCESS if successful.
- XFLASH_ADDRESS_ERROR if the destination address range is not completely within the addressable areas of the device(s).

XFlash_Lock

This function Locks the blocks in the specified range of the flash device(s).

The device is polled until an error or the operation completes successfully.

- XFLASH_ADDRESS_ERROR if the destination address range is not completely within the addressable areas of the device(s).

Note: Due to flash memory design, the range actually locked may be larger than what was specified by the Offset & Bytes parameters. This will occur if the parameters do not align to block boundaries.

Prototype

```
int XFlash_Lock(XFlash *InstancePtr, u32 Offset, u32 Bytes);
```

Parameters

The following table lists the XFlash_Lock function arguments.

Table 169: XFlash_Lock Arguments

Type	Name	Description
XFlash *	InstancePtr	Pointer to the XFlash instance.
u32	Offset	Offset into the device(s) address space from which to begin block locking. The first three bytes of every block is reserved for special purpose. The offset should be at least three bytes from start of the block.
u32	Bytes	Number of bytes to Lock in the Block starting from Offset.

Returns

- XST_SUCCESS if successful.

XFlash_Unlock

This function Unlocks the blocks in the specified range of the flash device(s).

The device is polled until an error or the operation completes successfully.

Note: None.

Prototype

```
int XFlash_Unlock(XFlash *InstancePtr, u32 Offset, u32 Bytes);
```

Parameters

The following table lists the XFlash_Unlock function arguments.

Table 170: XFlash_Unlock Arguments

Type	Name	Description
XFlash *	InstancePtr	Pointer to the XFlash instance.

Table 170: XFlash_Unlock Arguments (cont'd)

Type	Name	Description
u32	Offset	Offset into the device(s) address space from which to begin block UnLocking. The first three bytes of every block is reserved for special purpose. The offset should be at least three bytes from start of the block.
u32	Bytes	Number of bytes to UnLock in the Block starting from Offset.

Returns

- XST_SUCCESS if successful.
- XFLASH_ADDRESS_ERROR if the destination address range is not completely within the addressable areas of the device(s).

XFlash_IsReady

This function checks the readiness of the device, which means it has been successfully initialized.

Note: None.

Prototype

```
int XFlash_IsReady(XFlash *InstancePtr);
```

Parameters

The following table lists the XFlash_IsReady function arguments.

Table 171: XFlash_IsReady Arguments

Type	Name	Description
XFlash *	InstancePtr	Pointer to the XFlash instance.

Returns

TRUE if the device has been initialized (but not necessarily started), and FALSE otherwise.

Library Parameters in MSS File

XilFlash Library can be integrated with a system using the following snippet in the Microprocessor Software Specification (MSS) file:

```
BEGIN LIBRARY
PARAMETER LIBRARY_NAME = xilflash
PARAMETER LIBRARY_VER = 4.8
PARAMETER PROC_INSTANCE = microblaze_0
PARAMETER ENABLE_INTEL = true
PARAMETER ENABLE_AMD = false
END
```

The table below describes the libgen customization parameters.

Parameter	Default Value	Description
LIBRARY_NAME	xilflash	Specifies the library name.
LIBRARY_VER	4.8	Specifies the library version.
PROC_INSTANCE	microblaze_0	Specifies the processor name.
ENABLE_INTEL	true/false	Enables or disables the Intel flash device family.
ENABLE_AMD	true/false	Enables or disables the AMD flash device family.

XilFFS Library v4.5

XilFFS Library API Reference

The Xilinx fat file system (FFS) library consists of a file system and a glue layer. This FAT file system can be used with an interface supported in the glue layer. The file system code is open source and is used as it is. Currently, the Glue layer implementation supports the SD/eMMC interface and a RAM based file system. Application should make use of APIs provided in ff.h. These file system APIs access the driver functions through the glue layer.

The file system supports FAT16, FAT32, and exFAT (optional). The APIs are standard file system APIs. For more information, see the http://elm-chan.org/fsw/ff/00index_e.html.

Note: The XilFFS library uses Revision R0.13b of the generic FAT filesystem module.

Library Files

The table below lists the file system files.

File	Description
ff.c	Implements all the file system APIs
ff.h	File system header
ffconf.h	File system configuration header – File system configurations such as READ_ONLY, MINIMAL, can be set here. This library uses FF_FS_MINIMIZE and FF_FS_TINY and Read/Write (NOT read only)

The table below lists the glue layer files.

File	Description
diskio.c	Glue layer – implements the function used by file system to call the driver APIs
ff.h	File system header
diskio.h	Glue layer header

Selecting a File System with an SD Interface

To select a file system with an SD interface:

1. Click **File** → **New** → **Platform Project**.
2. Click **Specify** to create a new hardware platform specification.
3. Provide a new name for the domain in the **Project name** field if you wish to override the default value.
4. Select the location for the board support project files. To use the default location, as displayed in the **Location** field, leave the **Use default location** check box selected. Otherwise, deselect the checkbox and then type or browse to the directory location.
5. From the **Hardware Platform** drop-down, choose the appropriate platform for your application or click the **New** button to browse to an existing hardware platform.
6. Select the target CPU from the drop-down list.
7. From the **Board Support Package OS** list box, select the type of board support package to create. A description of the platform types displays in the box below the drop-down list.
8. Click **Finish**. The wizard creates a new software platform and displays it in the Vitis Navigator pane.
9. Select **Project** → **Build Automatically** to automatically build the board support package. The **Board Support Package Settings** dialog box opens. Here you can customize the settings for the domain.
10. Click **OK** to accept the settings, build the platform, and close the dialog box.
11. From the Explorer, double-click `platform.spr` file and select the appropriate domain/board support package. The **Overview** page opens.
12. In the overview page, click **Modify BSP Settings**.
13. Using the Board Support Package Settings page, you can select the OS version and which of the supported libraries are to be enabled in this domain/BSP.
14. Select the **xilffs** library from the list of **Supported Libraries**.
15. Expand the **Overview** tree and select **xilffs**. The configuration options for xilffs are listed.
16. Configure the xilffs by setting the `fs_interface = 1` to select the SD/eMMC. This is the default value. Ensure that the SD/eMMC interface is available, prior to selecting the `fs_interface = 1` option.
17. Build the bsp and the application to use the file system with SD/eMMC. SD or eMMC will be recognized by the low level driver.

Selecting a RAM Based File System

To select a RAM based file system:

1. Click **File** → **New** → **Platform Project**.
2. Click **Specify** to create a new hardware platform specification.
3. Provide a new name for the domain in the **Project name** field if you wish to override the default value.
4. Select the location for the board support project files. To use the default location, as displayed in the **Location** field, leave the **Use default location** check box selected. Otherwise, deselect the checkbox and then type or browse to the directory location.
5. From the **Hardware Platform** drop-down, choose the appropriate platform for your application or click the **New** button to browse to an existing hardware platform.
6. Select the target CPU from the drop-down list.
7. From the **Board Support Package OS** list box, select the type of board support package to create. A description of the platform types displays in the box below the drop-down list.
8. Click **Finish**. The wizard creates a new software platform and displays it in the Vitis Navigator pane.
9. Select **Project** → **Build Automatically** to automatically build the board support package. The **Board Support Package Settings** dialog box opens. Here you can customize the settings for the domain.
10. Click **OK** to accept the settings, build the platform, and close the dialog box.
11. From the Explorer, double-click `platform.spr` file and select the appropriate domain/board support package. The **Overview** page opens.
12. In the **Overview** page, click **Modify BSP Settings**.
13. Using the Board Support Package Settings page, you can select the OS version and which of the supported libraries are to be enabled in this domain/BSP.
14. Select the **xilffs** library from the list of **Supported Libraries**.
15. Expand the **Overview** tree and select **xilffs**. The configuration options for xilffs are listed.
16. Configure the xilffs by setting the `fs_interface = 2` to select the RAM.
17. As this project is used by LWIP based application, select **lwip library** and configure according to your requirements. For more information, see the LwIP Library API Reference documentation.
18. Use any lwip application that requires a RAM based file system - TCP/UDP performance test apps or tftp or webserver examples.
19. Build the bsp and the application to use the RAM based file system.

Library Parameters in MSS File

XilFFS Library can be integrated with a system using the following code snippet in the Microprocessor Software Specification (MSS) file:

```

BEGIN LIBRARY
  PARAMETER LIBRARY_NAME = xilffs
  PARAMETER LIBRARY_VER = 4.5
  PARAMETER fs_interface = 1
  PARAMETER read_only = false
  PARAMETER use_lfn = 0
  PARAMETER enable_multi_partition = false
  PARAMETER num_logical_vol = 2
  PARAMETER use_mkfs = true
  PARAMETER use_strfunc = 0
  PARAMETER set_fs_rpath = 0
  PARAMETER enable_exfat = false
  PARAMETER word_access = true
  PARAMETER use_chmod = false
END
    
```

The table below describes the libgen customization parameters.

Parameter	Default Value	Description
LIBRARY_NAME	xilffs	Specifies the library name.
LIBRARY_VER	4.5	Specifies the library version.
fs_interface	1 for SD/eMMC 2 for RAM	File system interface. SD/eMMC and RAM based file system are supported.
read_only	FALSE	Enables the file system in Read Only mode, if TRUE. Default is FALSE. For Zynq UltraScale+ MPSoCs, sets this option as true.
use_lfn	0	Enables the Long File Name(LFN) support if non-zero. 0: Disabled (Default) 1: LFN with static working buffer 2 (on stack) or 3 (on heap): Dynamic working buffer
enable_multi_partitio	FALSE	Enables the multi-partition support, if true.
num_logical_vol	2	Number of volumes (logical drives, from 1 to 10) to be used.
use_mkfs	TRUE	Enables the mkfs support, if TRUE. For Zynq UltraScale+ MPSoC, set this option as FALSE.
use_strfunc	0	Enables the string functions (valid values 0 to 2). Default is 0.
set_fs_rpath	0	Configures relative path feature (valid values 0 to 2). Default is 0.
ramfs_size	3145728	Ram FS size is applicable only when RAM based file system is selected.

Parameter	Default Value	Description
ramfs_start_addr	0x10000000	RAM FS start address is applicable only when RAM based file system is selected.
enable_exfat	FALSE	Enables support for exFAT file system. 0: Disable exFAT 1: Enable exFAT(Also Enables LFN)
word_access	TRUE	Enables word access for misaligned memory access platform.
use_chmod	FALSE	Enables use of CHMOD functionality for changing attributes (valid only with read_only set to false).

XilSecure Library v4.5

Overview

The XilSecure library provides APIs to access cryptographic accelerators on the Zynq[®] UltraScale +[™] MPSoC devices. The library is designed to run on top of Xilinx standalone BSPs. It is tested for Arm[®] Cortex[™]-A53, Arm Cortex-R5F, and MicroBlaze[™] processors. XilSecure is used during the secure boot process. The primary post-boot use case is to run this library on the PMU MicroBlaze with PMUFW to service requests from the U-Boot or Linux for cryptographic acceleration.

The XilSecure library includes:

Note: The XilSecure library does not check for memory bounds while performing cryptographic operations. You must check the bounds before using the functions provided in this library. If needed, you can take advantage of the XMPU, XPPU, or TrustZone to limit memory access.

- SHA-3/384 engine for 384 bit hash calculation.
- AES-GCM engine for symmetric key encryption and decryption using a 256-bit key.
- RSA engine for signature generation, signature verification, encryption and decryption. Key sizes supported include 2048, 3072, and 4096.



CAUTION! SDK defaults to using a software stack in DDR and any variables used by XilSecure will be placed in the DDR memory. For better security, change the linker settings to make sure the stack used by XilSecure is either in the OCM or the TCM.

Note: The XilSecure library does not check for memory bounds while performing cryptographic operations. You must check the bounds before using the functions provided in this library. If needed, you can take advantage of the XMPU, XPPU, or TrustZone to limit memory access.

Board Support Package Settings

XilSecure provides an user configuration under BSP settings to enable or disable secure environment, this bsp parameter is valid only when BSP is build for the PMU MicroBlaze for post boot use cases and XilSecure is been accessed using the IPI response calls to PMUFW from Linux or U-boot or baremetal applications. When the application environment is secure and trusted this variable should be set to TRUE.

Parameter	Description
secure_environment	Default = FALSE. Set the value to TRUE to allow usage of device key through the IPI response calls.

By default, PMUFW will not allow device key for any decryption operation requested through IPI response unless authentication is enabled. If the user space is secure and trusted PMUFW can be build by setting the secure_environment variable. Only then the PMUFW allows usage of the device key for encrypting or decrypting the data blobs, decryption of bitstream or image.

Source Files

The source files for the library can be found at:

- https://github.com/Xilinx/embeddedsw/tree/master/lib/sw_services/xilsecure/src/zynqmp
- https://github.com/Xilinx/embeddedsw/tree/master/lib/sw_services/xilsecure/src/common

AES-GCM

This software uses AES-GCM hardened cryptographic accelerator to encrypt or decrypt the provided data and requires a key of size 256 bits and initialization vector(IV) of size 96 bits.

XilSecure library supports the following features:

- Encryption of data with provided key and IV
- Decryption of data with provided key and IV
- Authentication using a GCM tag.
- Key loading based on key selection, the key can be either the user provided key loaded into the KUP key or the device key used during boot.

For either encryption or decryption the AES-GCM engine should be initialized first using the XSecure_AesInitialize function.

AES Encryption Function Usage

When all the data to be encrypted is available, the `XSecure_AesEncryptData()` can be used. When all the data is not available, use the following functions in the suggested order:

1. `XSecure_AesEncryptInit()`
2. `XSecure_AesEncryptUpdate()` - This function can be called multiple times till input data is completed.

AES Decryption Function Usage

When all the data to be decrypted is available, the `XSecure_AesDecryptData()` can be used. When all the data is not available, use the following functions in the suggested order:

1. `XSecure_AesDecryptInit()`
2. `XSecure_AesDecryptUpdate()` - This function can be called multiple times till input data is completed.

During decryption, the provided GCM tag is compared to the GCM tag calculated by the engine. The two tags are then compared in the software and returned to the user as to whether or not the tags matched.



CAUTION! when using the KUP key for encryption/decryption of the data, where the key is stored should be carefully considered. Key should be placed in an internal memory region that has access controls. Not doing so may result in security vulnerability.

AES-GCM Error Codes

The table below lists the AES-GCM error codes.

Error Code	Error Value	Description
XSECURE_CSU_AES_GCM_TAG_MISMATCH	0x1	User provided GCM tag does not match with GCM calculated on data
XSECURE_CSU_AES_IMAGE_LENGTH_MISMATCH	0x2	When there is a Image length mismatch
XSECURE_CSU_AES_DEVICE_COPY_ERROR	0x3	When there is device copy error.
XSECURE_CSU_AES_ZEROIZATION_ERROR	0x4	When there is an error with Zeroization. Note: In case of any error during Aes decryption, we perform zeroization of the decrypted data.
XSECURE_CSU_AES_KEY_CLEAR_ERROR	0x20	Error when clearing key storage registers after Aes operation.

AES-GCM API Example Usage

The following example illustrates the usage of AES encryption and decryption APIs.

```
static s32 SecureAesExample(void)
{
    XCsuDma_Config *Config;
    s32 Status;
    u32 Index;
    XCsuDma_CsuDmaInstance;
    XSecure_Aes Secure_Aes;
```

```

/* Initialize CSU DMA driver */
Config = XCsuDma_LookupConfig(XSECURE_CSUDMA_DEVICEID);
if (NULL == Config) {
    return XST_FAILURE;
}

Status = XCsuDma_CfgInitialize(&CsuDmaInstance, Config,
                              Config->BaseAddress);
if (Status != XST_SUCCESS) {
    return XST_FAILURE;
}

/* Initialize the Aes driver so that it's ready to use */
XSecure_AesInitialize(&Secure_Aes, &CsuDmaInstance,
                     XSECURE_CSU_AES_KEY_SRC_KUP,
                     (u32 *)Iv, (u32 *)Key);

xil_printf("Data to be encrypted: \n\r");
for (Index = 0; Index < XSECURE_DATA_SIZE; Index++) {
    xil_printf("%02x", Data[Index]);
}
xil_printf( "\r\n\n");

/* Encryption of Data */
/*
 * If all the data to be encrypted is contiguous one can call
 * XSecure_AesEncryptData API directly.
 */
XSecure_AesEncryptInit(&Secure_Aes, EncData, XSECURE_DATA_SIZE);
XSecure_AesEncryptUpdate(&Secure_Aes, Data, XSECURE_DATA_SIZE);

xil_printf("Encrypted data: \n\r");
for (Index = 0; Index < XSECURE_DATA_SIZE; Index++) {
    xil_printf("%02x", EncData[Index]);
}
xil_printf( "\r\n");

xil_printf("GCM tag: \n\r");
for (Index = 0; Index < XSECURE_SECURE_GCM_TAG_SIZE; Index++) {
    xil_printf("%02x", EncData[XSECURE_DATA_SIZE + Index]);
}
xil_printf( "\r\n\n");

/* Decrypt's the encrypted data */
/*
 * If data to be decrypted is contiguous one can also call
 * single API XSecure_AesDecryptData
 */
XSecure_AesDecryptInit(&Secure_Aes, DecData, XSECURE_DATA_SIZE,
                      EncData + XSECURE_DATA_SIZE);
/* Only the last update will return the GCM TAG matching status */
Status = XSecure_AesDecryptUpdate(&Secure_Aes, EncData,
                                  XSECURE_DATA_SIZE);
if (Status != XST_SUCCESS) {
    xil_printf("Decryption failure- GCM tag was not matched\n
\r");
    return Status;
}

xil_printf("Decrypted data\n\r");
for (Index = 0; Index < XSECURE_DATA_SIZE; Index++) {
    xil_printf("%02x", DecData[Index]);
}
    
```

```

        xil_printf( "\r\n");

        /* Comparison of Decrypted Data with original data */
        for(Index = 0; Index < XSECURE_DATA_SIZE; Index++) {
            if (Data[Index] != DecData[Index]) {
                xil_printf("Failure during comparison of the data\n
\r");
                return XST_FAILURE;
            }
        }
        return XST_SUCCESS;
    }
}

```

Note: Relevant examples are available in the <library-install-path>\examples folder. Where <library-install-path> is the XilSecure library installation path.

AES-GCM Usage to decrypt Boot Image

The Multiple key(Key Rolling) or Single key encrypted images will have the same format. The images include:

- Secure header - This includes the dummy AES key of 32byte + Block 0 IV of 12byte + DLC for Block 0 of 4byte + GCM tag of 16byte(Un-Enc).
- Block N - This includes the boot image data for the block N of n size + Block N+1 AES key of 32byte + Block N+1 IV of 12byte + GCM tag for Block N of 16byte(Un-Enc).

The Secure header and Block 0 will be decrypted using the device key or user provided key. If more than one block is found then the key and the IV obtained from previous block will be used for decryption.

Following are the instructions to decrypt an image:

1. Read the first 64 bytes and decrypt 48 bytes using the selected Device key.
2. Decrypt Block 0 using the IV + Size and the selected Device key.
3. After decryption, you will get the decrypted data+KEY+IV+Block Size. Store the KEY/IV into KUP/IV registers.
4. Using Block size, IV and the next Block key information, start decrypting the next block.
5. If the current image size is greater than the total image length, perform the next step. Else, go back to the previous step.
6. If there are failures, an error code is returned. Else, the decryption is successful.

XilSecure AES ZynqMP APIs

Table 172: Quick Function Reference

Type	Name	Arguments
s32	XSecure_AesInitialize	XSecure_Aes * InstancePtr XCsuDma * CsuDmaPtr u32 KeySel u32 * IvPtr u32 * KeyPtr
u32	XSecure_AesDecryptInit	XSecure_Aes * InstancePtr u8 * DecData u32 Size u8 * GcmTagAddr
s32	XSecure_AesDecryptUpdate	XSecure_Aes * InstancePtr u8 * EncData u32 Size
s32	XSecure_AesDecryptData	XSecure_Aes * InstancePtr u8 * DecData u8 * EncData u32 Size u8 * GcmTagAddr
s32	XSecure_AesDecrypt	XSecure_Aes * InstancePtr const u8 * Src u8 * Dst u32 Length
u32	XSecure_AesEncryptInit	XSecure_Aes * InstancePtr u8 * EncData u32 Size
u32	XSecure_AesEncryptUpdate	XSecure_Aes * InstancePtr const u8 * Data u32 Size
u32	XSecure_AesEncryptData	XSecure_Aes * InstancePtr u8 * Dst const u8 * Src u32 Len
void	XSecure_AesReset	XSecure_Aes * InstancePtr

Functions

XSecure_AesInitialize

This function initializes the instance pointer.

Note: All the inputs are accepted in little endian format but the AES engine accepts the data in big endian format, The decryption and encryption functions in `xsecure_aes` handle the little endian to big endian conversion using few API's, `Xil_Htonl` (provided by Xilinx `xil_io` library) and `XSecure_AesCsuDmaConfigureEndiannes` for handling data endianness conversions. If higher performance is needed, users can strictly use data in big endian format and modify the `xsecure_aes` functions to remove the use of the `Xil_Htonl` and `XSecure_AesCsuDmaConfigureEndiannes` functions as required.

Prototype

```
s32 XSecure_AesInitialize(XSecure_Aes *InstancePtr, XCsuDma *CsuDmaPtr, u32 KeySel, u32 *IvPtr, u32 *KeyPtr);
```

Parameters

The following table lists the `XSecure_AesInitialize` function arguments.

Table 173: XSecure_AesInitialize Arguments

Name	Description
InstancePtr	Pointer to the XSecure_Aes instance.
CsuDmaPtr	Pointer to the XCsuDma instance.
KeySel	Key source for decryption, can be KUP/device key <ul style="list-style-type: none"> XSECURE_CSU_AES_KEY_SRC_KUP :For KUP key XSECURE_CSU_AES_KEY_SRC_DEV :For Device Key
IvPtr	Pointer to the Initialization Vector for decryption
KeyPtr	Pointer to Aes key in case KUP key is used. Pass Null if the device key is to be used.

Returns

XST_SUCCESS if initialization was successful.

XSecure_AesDecryptInit

This function initializes the AES engine for decryption and is required to be called before calling `XSecure_AesDecryptUpdate`.

Note: If all of the data to be decrypted is available, the `XSecure_AesDecryptData` function can be used instead.

Prototype

```
u32 XSecure_AesDecryptInit(XSecure_Aes *InstancePtr, u8 *DecData, u32 Size,
u8 *GcmTagAddr);
```

Parameters

The following table lists the `XSecure_AesDecryptInit` function arguments.

Table 174: XSecure_AesDecryptInit Arguments

Name	Description
InstancePtr	Pointer to the XSecure_Aes instance.
DecData	Pointer in which decrypted data will be stored.
Size	Expected size of the data in bytes whereas the number of bytes provided should be multiples of 4.
GcmTagAddr	Pointer to the GCM tag which needs to be verified during decryption of the data.

Returns

Returns `XST_SUCCESS` if initialization was successful for decryption

XSecure_AesDecryptUpdate

This function decrypts the encrypted data passed in and updates the GCM tag from any previous calls. The size from `XSecure_AesDecryptInit` is decremented from the size passed into this function to determine when the GCM tag passed to `XSecure_AesDecryptInit` needs to be compared to the GCM tag calculated in the AES engine.

Note: When Size of the data equals to size of the remaining data that data will be treated as final data. This API can be called multiple times but sum of all Sizes should be equal to Size mention in init. Return of the final call of this API tells whether GCM tag is matching or not.

Prototype

```
s32 XSecure_AesDecryptUpdate(XSecure_Aes *InstancePtr, u8 *EncData, u32
Size);
```

Parameters

The following table lists the `XSecure_AesDecryptUpdate` function arguments.

Table 175: XSecure_AesDecryptUpdate Arguments

Name	Description
InstancePtr	Pointer to the XSecure_Aes instance.
EncData	Pointer to the encrypted data which needs to be decrypted.

Table 175: XSecure_AesDecryptUpdate Arguments (cont'd)

Name	Description
Size	Expected size of data to be decrypted in bytes, whereas the number of bytes should be multiples of 4.

Returns

Final call of this API returns the status of GCM tag matching.

- XSECURE_CSU_AES_GCM_TAG_MISMATCH: If GCM tag is mismatched
- XSECURE_CSU_AES_ZEROIZATION_ERROR: If GCM tag is mismatched, zeroize the decrypted data and send the status of zeroization.
- XST_SUCCESS: If GCM tag is matching.

XSecure_AesDecryptData

This function decrypts the encrypted data provided and updates the DecData buffer with decrypted data.

Note: When using this function to decrypt data that was encrypted with XSecure_AesEncryptData, the GCM tag will be stored as the last sixteen (16) bytes of data in XSecure_AesEncryptData's Dst (destination) buffer and should be used as the GcmTagAddr's pointer.

Prototype

```
s32 XSecure_AesDecryptData(XSecure_Aes *InstancePtr, u8 *DecData, u8 *EncData, u32 Size, u8 *GcmTagAddr);
```

Parameters

The following table lists the XSecure_AesDecryptData function arguments.

Table 176: XSecure_AesDecryptData Arguments

Name	Description
InstancePtr	Pointer to the XSecure_Aes instance.
DecData	Pointer to a buffer in which decrypted data will be stored.
EncData	Pointer to the encrypted data which needs to be decrypted.
Size	Size of data to be decrypted in bytes, whereas the number of bytes should be multiples of 4.
GcmTagAddr	Address of a buffer which should contain GCM Tag

Returns

This API returns the status of GCM tag matching.

- XSECURE_CSU_AES_GCM_TAG_MISMATCH: If GCM tag was mismatched
- XST_SUCCESS: If GCM tag was matched.

XSecure_AesDecrypt

This function will handle the AES-GCM Decryption.

Note: This function is used for decrypting the Image's partition encrypted by Bootgen

Prototype

```
s32 XSecure_AesDecrypt(XSecure_Aes *InstancePtr, u8 *Dst, const u8 *Src,
u32 Length);
```

Parameters

The following table lists the `XSecure_AesDecrypt` function arguments.

Table 177: XSecure_AesDecrypt Arguments

Name	Description
InstancePtr	Pointer to the XSecure_Aes instance.
Src	Pointer to encrypted data source location
Dst	Pointer to location where decrypted data will be written.
Length	Expected total length of decrypted image expected.

Returns

Returns `XST_SUCCESS` if successful, or the relevant error code.

XSecure_AesEncryptInit

This function is used to initialize the AES engine for encryption.

Note: If all of the data to be encrypted is available, the `XSecure_AesEncryptData` function can be used instead.

Prototype

```
u32 XSecure_AesEncryptInit(XSecure_Aes *InstancePtr, u8 *EncData, u32 Size);
```

Parameters

The following table lists the `XSecure_AesEncryptInit` function arguments.

Table 178: XSecure_AesEncryptInit Arguments

Name	Description
InstancePtr	Pointer to the XSecure_Aes instance.
EncData	Pointer of a buffer in which encrypted data along with GCM TAG will be stored. Buffer size should be Size of data plus 16 bytes.
Size	A 32 bit variable, which holds the size of the input data to be encrypted in bytes, whereas number of bytes provided should be multiples of 4.

Returns

Returns XST_SUCCESS if initialization was successful for encryption

XSecure_AesEncryptUpdate

This function encrypts the clear-text data passed in and updates the GCM tag from any previous calls. The size from XSecure_AesEncryptInit is decremented from the size passed into this function to determine when the final CSU DMA transfer of data to the AES-GCM cryptographic core.

Note: If all of the data to be encrypted is available, the XSecure_AesEncryptData function can be used instead.

Prototype

```
u32 XSecure_AesEncryptUpdate(XSecure_Aes *InstancePtr, const u8 *Data, u32 Size);
```

Parameters

The following table lists the XSecure_AesEncryptUpdate function arguments.

Table 179: XSecure_AesEncryptUpdate Arguments

Name	Description
InstancePtr	Pointer to the XSecure_Aes instance.
Data	Pointer to the data for which encryption should be performed.
Size	A 32 bit variable, which holds the size of the input data in bytes, whereas the number of bytes provided should be multiples of 4.

Returns

Returns XST_SUCCESS if data to be encrypted was successfully updated in AES engine

XSecure_AesEncryptData

This function encrypts Len (length) number of bytes of the passed in Src (source) buffer and stores the encrypted data along with its associated 16 byte tag in the Dst (destination) buffer.

Note: If data to be encrypted is not available in one buffer one can call `XSecure_AesEncryptInit()` and update the AES engine with data to be encrypted by calling `XSecure_AesEncryptUpdate()` API multiple times as required.

Prototype

```
u32 XSecure_AesEncryptData(XSecure_Aes *InstancePtr, u8 *Dst, const u8 *Src, u32 Len);
```

Parameters

The following table lists the `XSecure_AesEncryptData` function arguments.

Table 180: XSecure_AesEncryptData Arguments

Name	Description
InstancePtr	A pointer to the XSecure_Aes instance.
Dst	A pointer to a buffer where encrypted data along with GCM tag will be stored. The Size of buffer provided should be Size of the data plus 16 bytes
Src	A pointer to input data for encryption.
Len	Size of input data in bytes, whereas the number of bytes provided should be multiples of 4.

Returns

Returns `XST_SUCCESS` if encryption is successful

XSecure_AesReset

This function sets and then clears the AES-GCM's reset line.

Prototype

```
void XSecure_AesReset(XSecure_Aes *InstancePtr);
```

Parameters

The following table lists the `XSecure_AesReset` function arguments.

Table 181: XSecure_AesReset Arguments

Name	Description
InstancePtr	Pointer to the XSecure_Aes instance

Returns

None

Definitions

XSecure_AesWaitForDone

This macro waits for AES engine completes configured operation.

Definition

```
#define XSecure_AesWaitForDone(InstancePtr) \
    Xil_WaitForEvent((InstancePtr)->BaseAddress + \
    XSECURE_CSU_AES_STS_OFFSET, XSECURE_CSU_AES_STS_AES_BUSY, 0U, \
    XSECURE_AES_TIMEOUT_MAX)
```

Parameters

The following table lists the XSecure_AesWaitForDone definition values.

Table 182: XSecure_AesWaitForDone Values

Name	Description
InstancePtr	Pointer to the XSecure_Aes instance.

Returns

XST_SUCCESS if the AES engine completes configured operation. XST_FAILURE if a timeout has occurred.

RSA

The xsecure_rsa.h file contains hardware interface related information for the RSA hardware accelerator. This hardened cryptographic accelerator, within the CSU, performs the modulus math based on the Rivest-Shamir-Adelman (RSA) algorithm. It is an asymmetric algorithm.

Initialization & Configuration

The RSA driver instance can be initialized by using the `XSecure_RsaInitialize()` function. The method used for RSA implementation can take a pre-calculated value of $R^2 \bmod N$. If you do not have the pre-calculated exponential value pass NULL, the controller will take care of the exponential value.

Note:

- From the RSA key modulus, the exponent should be extracted.
- For verification, PKCS v1.5 padding scheme has to be applied for comparing the data hash with decrypted hash.

RSA API Example Usage

The following example illustrates the usage of the RSA library to encrypt data using the public key and to decrypt the data using private key.

Note: Application should take care of the padding.

```

static u32 SecureRsaExample(void)
{
    u32 Index;

    /* RSA signature decrypt with private key */
    /*
     * Initialize the Rsa driver with private key components
     * so that it's ready to use
     */
    XSecure_RsaInitialize(&Secure_Rsa, Modulus, NULL, PrivateExp);

    if(XST_SUCCESS != XSecure_RsaPrivateDecrypt(&Secure_Rsa, Data,
                                                Size, Signature)) {
        xil_printf("Failed at RSA signature decryption\n\r");
        return XST_FAILURE;
    }

    xil_printf("\r\n Decrypted Signature with private key\r\n ");

    for(Index = 0; Index < Size; Index++) {
        xil_printf(" %02x ", Signature[Index]);
    }
    xil_printf(" \r\n ");

    /* Verification if Data is expected */
    for(Index = 0; Index < Size; Index++) {
        if (Signature[Index] != ExpectedSign[Index]) {
            xil_printf("\r\nError at verification of RSA
signature"
                    " Decryption\n\r");
            return XST_FAILURE;
        }
    }

    /* RSA signature encrypt with Public key components */
    /*
     * Initialize the Rsa driver with public key components
     * so that it's ready to use
     */
    XSecure_RsaInitialize(&Secure_Rsa, Modulus, NULL, (u8 *)&PublicExp);

    if(XST_SUCCESS != XSecure_RsaPublicEncrypt(&Secure_Rsa, Signature,
                                                Size,
EncryptSignatureOut)) {
        xil_printf("\r\nFailed at RSA signature encryption\n\r");
        return XST_FAILURE;
    }
    xil_printf("\r\n Encrypted Signature with public key\r\n ");

    for(Index = 0; Index < Size; Index++) {
        xil_printf(" %02x ", EncryptSignatureOut[Index]);
    }
}
    
```

```

    }

    /* Verification if Data is expected */
    for(Index = 0; Index < Size; Index++) {
        if (EncryptSignatureOut[Index] != Data[Index]) {
            xil_printf("\r\nError at verification of RSA
signature"
                    " encryption\n\r");
            return XST_FAILURE;
        }
    }

    return XST_SUCCESS;
}
    
```

Note: Relevant examples are available in the <library-install-path>\examples folder. Where <library-install-path> is the XilSecure library installation path.

XilSecure RSA Common APIs

Table 183: Quick Function Reference

Type	Name	Arguments
int	XSecure_RsaInitialize	XSecure_Rsa * InstancePtr u8 * Mod u8 * ModExt u8 * ModExpo
int	XSecure_RsaSignVerification	const u8 * Signature const u8 * Hash u32 HashLen
int	XSecure_RsaPublicEncrypt	XSecure_Rsa * InstancePtr u8 * Input u32 Size u8 * Result
int	XSecure_RsaPrivateDecrypt	XSecure_Rsa * InstancePtr u8 * Input u32 Size u8 * Result

Functions

XSecure_RsaInitialize

This function initializes a XSecure_Rsa structure with the default values required for operating the RSA cryptographic engine.

Note: Modulus, ModExt and ModExpo are part of partition signature when authenticated boot image is generated by bootgen, else the all of them should be extracted from the key

Prototype

```
int XSecure_RsaInitialize(XSecure_Rsa *InstancePtr, u8 *Mod, u8 *ModExt, u8 *ModExpo);
```

Parameters

The following table lists the `XSecure_RsaInitialize` function arguments.

Table 184: XSecure_RsaInitialize Arguments

Name	Description
InstancePtr	- Pointer to the XSecure_Rsa instance
Mod	- A character Pointer which contains the key Modulus of key size
ModExt	- A Pointer to the pre-calculated exponential ($R^2 \text{ Mod } N$) value <ul style="list-style-type: none"> • NULL - if user doesn't have pre-calculated $R^2 \text{ Mod } N$ value, control will take care of this calculation internally
ModExpo	- Pointer to the buffer which contains key exponent

Returns

- XST_SUCCESS - If initialization was successful
- XSECURE_RSA_INVALID_PARAM - On invalid arguments

XSecure_RsaSignVerification

This function verifies the RSA decrypted data provided is either matching with the provided expected hash by taking care of PKCS padding.

Prototype

```
int XSecure_RsaSignVerification(const u8 *Signature, const u8 *Hash, u32 HashLen);
```

Parameters

The following table lists the `XSecure_RsaSignVerification` function arguments.

Table 185: XSecure_RsaSignVerification Arguments

Name	Description
Signature	- Pointer to the buffer which holds the decrypted RSA signature
Hash	- Pointer to the buffer which has the hash calculated on the data to be authenticated

Table 185: XSecure_RsaSignVerification Arguments (cont'd)

Name	Description
HashLen	- Length of Hash used • For SHA3 it should be 48 bytes

Returns

- XST_SUCCESS - If decryption was successful
- XSECURE_RSA_INVALID_PARAM - On invalid arguments
- XST_FAILURE - In case of mismatch

XSecure_RsaPublicEncrypt

This function handles the RSA encryption with the public key components provided when initializing the RSA cryptographic core with the XSecure_RsaInitialize function.

Note: The Size passed here needs to match the key size used in the XSecure_RsaInitialize function

Prototype

```
int XSecure_RsaPublicEncrypt(XSecure_Rsa *InstancePtr, u8 *Input, u32 Size, u8 *Result);
```

Parameters

The following table lists the XSecure_RsaPublicEncrypt function arguments.

Table 186: XSecure_RsaPublicEncrypt Arguments

Name	Description
InstancePtr	- Pointer to the XSecure_Rsa instance
Input	- Pointer to the buffer which contains the input data to be encrypted
Size	- Key size in bytes, Input size also should be same as Key size mentioned. Inputs supported are • XSECURE_RSA_4096_KEY_SIZE • XSECURE_RSA_2048_KEY_SIZE • XSECURE_RSA_3072_KEY_SIZE
Result	- Pointer to the buffer where resultant decrypted data to be stored

Returns

- XST_SUCCESS - If encryption was successful

- XSECURE_RSA_INVALID_PARAM - On invalid arguments
- XSECURE_RSA_STATE_MISMATCH_ERROR - If State mismatch is occurred

XSecure_RsaPrivateDecrypt

This function handles the RSA decryption with the private key components provided when initializing the RSA cryptographic core with the XSecure_RsaInitialize function.

Note: The Size passed here needs to match the key size used in the XSecure_RsaInitialize function

Prototype

```
int XSecure_RsaPrivateDecrypt(XSecure_Rsa *InstancePtr, u8 *Input, u32
Size, u8 *Result);
```

Parameters

The following table lists the XSecure_RsaPrivateDecrypt function arguments.

Table 187: XSecure_RsaPrivateDecrypt Arguments

Name	Description
InstancePtr	- Pointer to the XSecure_Rsa instance
Input	- Pointer to the buffer which contains the input data to be decrypted
Size	- Key size in bytes, Input size also should be same as Key size mentioned. Inputs supported are <ul style="list-style-type: none"> • XSECURE_RSA_4096_KEY_SIZE, • XSECURE_RSA_2048_KEY_SIZE • XSECURE_RSA_3072_KEY_SIZE
Result	- Pointer to the buffer where resultant decrypted data to be stored

Returns

- XST_SUCCESS - If decryption was successful
- XSECURE_RSA_DATA_VALUE_ERROR - If input data is greater than modulus
- XSECURE_RSA_STATE_MISMATCH_ERROR - If State mismatch is occurred
- XST_FAILURE - On RSA operation failure

Definitions

XSECURE_RSA_BYTE_PAD_LENGTH

PKCS Byte Padding

Definition

```
#define XSECURE_RSA_BYTE_PAD_LENGTH(3U)
```

XSECURE_RSA_T_PAD_LENGTH

PKCS T Padding

Definition

```
#define XSECURE_RSA_T_PAD_LENGTH(19U)
```

XSECURE_RSA_BYTE_PAD1

PKCS T Padding Byte

Definition

```
#define XSECURE_RSA_BYTE_PAD1(0X00U)
```

XSECURE_RSA_BYTE_PAD2

PKCS T Padding Byte

Definition

```
#define XSECURE_RSA_BYTE_PAD2(0X01U)
```

XSECURE_RSA_BYTE_PAD3

PKCS T Padding Byte

Definition

```
#define XSECURE_RSA_BYTE_PAD3(0XFFU)
```

XSECURE_RSA_INVALID_PARAM

Error code for invalid argument

Definition

```
#define XSECURE_RSA_INVALID_PARAM(0x82U)
```

XSECURE_RSA_STATE_MISMATCH_ERROR

Error code for RSA state mismatch

Definition

```
#define XSECURE_RSA_STATE_MISMATCH_ERROR(0x84U)
```

SHA-3

This block uses the NIST-approved SHA-3 algorithm to generate a 384-bit hash on the input data. Because the SHA-3 hardware only accepts 104 byte blocks as the minimum input size, the input data will be padded with user selectable Keccak or NIST SHA-3 padding and is handled internally in the SHA-3 library.

Initialization & Configuration

The SHA-3 driver instance can be initialized using the `XSecure_Sha3Initialize()` function. A pointer to `CsuDma` instance has to be passed during initialization as the CSU DMA will be used for data transfers to the SHA module.

SHA-3 Function Usage

When all the data is available on which the SHA3 hash must be calculated, the `XSecure_Sha3Digest()` can be used with the appropriate parameters as described. When all the data is not available, use the SHA3 functions in the following order:

1. `XSecure_Sha3Start()`
2. `XSecure_Sha3Update()` - This function can be called multiple times until all input data has been passed to the SHA-3 cryptographic core.
3. `XSecure_Sha3Finish()` - Provides the final hash of the data. To get intermediate hash values after each `XSecure_Sha3Update()`, you can call `XSecure_Sha3_ReadHash()` after the `XSecure_Sha3Update()` call.

SHA-3 API Example Usage

The `xilsecure_sha_example.c` file is a simple example application that demonstrates the usage of SHA-3 accelerator to calculate a 384-bit hash on the Hello World string. A typical use case for the SHA3 accelerator is for calculation of the boot image hash as part of the authentication operation. This is illustrated in the `xilsecure_rsa_example.c`.

The contents of the `xilsecure_sha_example.c` file are shown below:

```
static u32 SecureSha3Example()
{
    XSecure_Sha3 Secure_Sha3;
    XCsuDma CsuDma;
    XCsuDma_Config *Config;
```

```

    u8 Out[SHA3_HASH_LEN_IN_BYTES];
    u32 Status = XST_FAILURE;
    u32 Size = 0U;

    Size = Xil_Strnlen(Data, SHA3_INPUT_DATA_LEN);
    if (Size != SHA3_INPUT_DATA_LEN) {
        xil_printf("Provided data length is Invalid\n\r");
        Status = XST_FAILURE;
        goto END;
    }

    Config = XCsuDma_LookupConfig(0);
    if (NULL == Config) {
        xil_printf("config failed\n\r");
        Status = XST_FAILURE;
        goto END;
    }

    Status = XCsuDma_CfgInitialize(&CsuDma, Config, Config->BaseAddress);
    if (Status != XST_SUCCESS) {
        Status = XST_FAILURE;
        goto END;
    }

    /*
     * Initialize the SHA-3 driver so that it's ready to use
     */
    XSecure_Sha3Initialize(&Secure_Sha3, &CsuDma);

    XSecure_Sha3Digest(&Secure_Sha3, (u8*)Data, Size, Out);

    xil_printf(" Calculated Hash \r\n ");
    SecureSha3PrintHash(Out);

    Status = SecureSha3CompareHash(Out, ExpHash);
END:
    return Status;
}

/
*****
/
static u32 SecureSha3CompareHash(u8 *Hash, u8 *ExpectedHash)
{
    u32 Index;
    u32 Status = XST_FAILURE;

    for (Index = 0U; Index < SHA3_HASH_LEN_IN_BYTES; Index++) {
        if (Hash[Index] != ExpectedHash[Index]) {
            xil_printf("Expected Hash \r\n");
            SecureSha3PrintHash(ExpectedHash);
            xil_printf("SHA Example Failed at Hash Comparison \r\n");
            break;
        }
    }
    if (Index == SHA3_HASH_LEN_IN_BYTES) {
        Status = XST_SUCCESS;
    }

    return Status;
}

```

```

/
*****
/
static void SecureSha3PrintHash(u8 *Hash)
{
    u32 Index;

    for (Index = 0U; Index < SHA3_HASH_LEN_IN_BYTES; Index++) {
        xil_printf(" %0x ", Hash[Index]);
    }
    xil_printf(" \r\n ");
}
    
```

Note: The `xilsecure_sha_example.c` and `xilsecure_rsa_example.c` example files are available in the `<library-install-path>\examples` folder. Where `<library-install-path>` is the XilSecure library installation path.

XilSecure SHA3 ZynqMP APIs

Table 188: Quick Function Reference

Type	Name	Arguments
s32	XSecure_Sha3Initialize	XSecure_Sha3 * InstancePtr XCsuDma * CsuDmaPtr
void	XSecure_Sha3Start	XSecure_Sha3 * InstancePtr
u32	XSecure_Sha3Update	XSecure_Sha3 * InstancePtr const u8 * Data const u32 Size
u32	XSecure_Sha3Finish	XSecure_Sha3 * InstancePtr u8 * Hash
u32	XSecure_Sha3Digest	XSecure_Sha3 * InstancePtr const u8 * In const u32 Size u8 * Out
void	XSecure_Sha3_ReadHash	XSecure_Sha3 * InstancePtr u8 * Hash
s32	XSecure_Sha3PadSelection	XSecure_Sha3 * InstancePtr XSecure_Sha3PadType Sha3PadType
s32	XSecure_Sha3LastUpdate	XSecure_Sha3 * InstancePtr

Table 188: Quick Function Reference (cont'd)

Type	Name	Arguments
u32	XSecure_Sha3WaitForDone	XSecure_Sha3 * InstancePtr

Functions

XSecure_Sha3Initialize

This function initializes a XSecure_Sha3 structure with the default values required for operating the SHA3 cryptographic engine.

Note: The base address is initialized directly with value from xsecure_hw.h The default is NIST SHA3 padding, to change to KECCAK padding call [XSecure_Sha3PadSelection\(\)](#) after [XSecure_Sha3Initialize\(\)](#).

Prototype

```
s32 XSecure_Sha3Initialize(XSecure_Sha3 *InstancePtr, XCsuDma *CsuDmaPtr);
```

Parameters

The following table lists the XSecure_Sha3Initialize function arguments.

Table 189: XSecure_Sha3Initialize Arguments

Name	Description
InstancePtr	Pointer to the XSecure_Sha3 instance.
CsuDmaPtr	Pointer to the XCsuDma instance.

Returns

XST_SUCCESS if initialization was successful

XSecure_Sha3Start

This function configures Secure Stream Switch and starts the SHA-3 engine.

Prototype

```
void XSecure_Sha3Start(XSecure_Sha3 *InstancePtr);
```

Parameters

The following table lists the XSecure_Sha3Start function arguments.

Table 190: XSecure_Sha3Start Arguments

Name	Description
InstancePtr	Pointer to the XSecure_Sha3 instance.

Returns

None

XSecure_Sha3Update

This function updates the SHA3 engine with the input data.

Prototype

```
u32 XSecure_Sha3Update(XSecure_Sha3 *InstancePtr, const u8 *Data, const u32 Size);
```

Parameters

The following table lists the XSecure_Sha3Update function arguments.

Table 191: XSecure_Sha3Update Arguments

Name	Description
InstancePtr	Pointer to the XSecure_Sha3 instance.
Data	Pointer to the input data for hashing.
Size	Size of the input data in bytes.

Returns

XST_SUCCESS if the update is successful XST_FAILURE if there is a failure in SSS config

XSecure_Sha3Finish

This function updates SHA3 engine with final data which includes SHA3 padding and reads final hash on complete data.

Prototype

```
u32 XSecure_Sha3Finish(XSecure_Sha3 *InstancePtr, u8 *Hash);
```

Parameters

The following table lists the XSecure_Sha3Finish function arguments.

Table 192: XSecure_Sha3Finish Arguments

Name	Description
InstancePtr	Pointer to the XSecure_Sha3 instance.
Hash	Pointer to location where resulting hash will be written

Returns

XST_SUCCESS if finished without any errors XST_FAILURE if Sha3PadType is other than KECCAK or NIST

XSecure_Sha3Digest

This function calculates the SHA-3 digest on the given input data.

Prototype

```
u32 XSecure_Sha3Digest(XSecure_Sha3 *InstancePtr, const u8 *In, const u32 Size, u8 *Out);
```

Parameters

The following table lists the XSecure_Sha3Digest function arguments.

Table 193: XSecure_Sha3Digest Arguments

Name	Description
InstancePtr	Pointer to the XSecure_Sha3 instance.
In	Pointer to the input data for hashing
Size	Size of the input data
Out	Pointer to location where resulting hash will be written.

Returns

XST_SUCCESS if digest calculation done successfully XST_FAILURE if any error from Sha3Update or Sha3Finish.

XSecure_Sha3_ReadHash

This function reads the SHA3 hash of the data and it can be called between calls to XSecure_Sha3Update.

Prototype

```
void XSecure_Sha3_ReadHash(XSecure_Sha3 *InstancePtr, u8 *Hash);
```

Parameters

The following table lists the `XSecure_Sha3_ReadHash` function arguments.

Table 194: XSecure_Sha3_ReadHash Arguments

Name	Description
InstancePtr	Pointer to the XSecure_Sha3 instance.
Hash	Pointer to a buffer in which read hash will be stored.

Returns

None

XSecure_Sha3PadSelection

This function provides an option to select the SHA-3 padding type to be used while calculating the hash.

Note: The default provides support for NIST SHA-3. If a user wants to change the padding to Keccak SHA-3, this function should be called after `XSecure_Sha3Initialize()`

Prototype

```
s32 XSecure_Sha3PadSelection(XSecure_Sha3 *InstancePtr, XSecure_Sha3PadType Sha3PadType);
```

Parameters

The following table lists the `XSecure_Sha3PadSelection` function arguments.

Table 195: XSecure_Sha3PadSelection Arguments

Name	Description
InstancePtr	Pointer to the XSecure_Sha3 instance.
Sha3PadType	Type of SHA3 padding to be used. <ul style="list-style-type: none"> For NIST SHA-3 padding - XSECURE_CSU_NIST_SHA3 For KECCAK SHA-3 padding - XSECURE_CSU_KECCAK_SHA3

Returns

XST_SUCCESS if pad selection is successful. XST_FAILURE if pad selection is failed.

XSecure_Sha3LastUpdate

This function is to notify this is the last update of data where sha padding is also been included along with the data in the next update call.

Prototype

```
s32 XSecure_Sha3LastUpdate(XSecure_Sha3 *InstancePtr);
```

Parameters

The following table lists the `XSecure_Sha3LastUpdate` function arguments.

Table 196: XSecure_Sha3LastUpdate Arguments

Name	Description
InstancePtr	Pointer to the XSecure_Sha3 instance.

Returns

XST_SUCCESS if last update can be accepted

XSecure_Sha3WaitForDone

This inline function waits till SHA3 completes its operation.

Prototype

```
u32 XSecure_Sha3WaitForDone(XSecure_Sha3 *InstancePtr);
```

Parameters

The following table lists the `XSecure_Sha3WaitForDone` function arguments.

Table 197: XSecure_Sha3WaitForDone Arguments

Name	Description
InstancePtr	Pointer to the XSecure_Sha3 instance.

Returns

XST_SUCCESS if the SHA3 completes its operation. XST_FAILURE if a timeout has occurred.

Data Structure Index

The following is a list of data structures:

- [XSecure_AesParams](#)
- [XSecure_AuthParam](#)
- [XSecure_DataAddr](#)
- [XSecure_ImagelInfo](#)
- [XSecure_PartitionHeader](#)
- [XSecure_RsaKey](#)

XSecure_AesParams

Declaration

```
typedef struct
{
    u64 Src,
    u64 Iv,
    u64 Key,
    u64 Dst,
    u64 Size,
    u64 AesOp,
    u64 KeySrc
} XSecure_AesParams;
```

Table 198: Structure XSecure_AesParams member description

Member	Description
Src	Source address for AES encryption
Iv	AES Initialization Vector
Key	AES Key
Dst	Destination address where encrypted data is stored
Size	Size of the encrypted data in bytes
AesOp	Flag specifying decryption or encryption
KeySrc	AES key source

XSecure_AuthParam

Declaration

```
typedef struct
{
    XCsuDma * CsuDmaInstPtr,
    u8 * Data,
    u32 Size,
    u8 * AuthCertPtr,
    u32 SignatureOffset,
    XSecure_Sha3PadType PaddingType,
    u8 AuthIncludingCert
} XSecure_AuthParam;
```

Table 199: Structure XSecure_AuthParam member description

Member	Description
CsuDmaInstPtr	Pointer to the CSU DMA instance
Data	Pointer to partition to be authenticated
Size	Represents the size of the partition
AuthCertPtr	Pointer to authentication certificate of the partition
SignatureOffset	Offset address for auth certificate signature
PaddingType	SHA3 padding type
AuthIncludingCert	Authentication Data Flag

XSecure_DataAddr

Declaration

```
typedef struct
{
    u32 AddrHigh,
    u32 AddrLow
} XSecure_DataAddr;
```

Table 200: Structure XSecure_DataAddr member description

Member	Description
AddrHigh	Partition address high
AddrLow	Partition address low

XSecure_ImageInfo

Declaration

```
typedef struct
{
    u32 EfuseRsaenable,
    XSecure_PartitionHeader * PartitionHdr,
    u32 BhdrAuth,
    u32 KeySrc,
    u32 * Iv,
    u8 * AuthCerPtr
} XSecure_ImageInfo;
```

Table 201: Structure XSecure_ImageInfo member description

Member	Description
EfuseRsaenable	0 if not burnt 0xFF if burnt
PartitionHdr	Pointer to the buffer which is holding image header
BhdrAuth	0 if not enabled and 0xFF if set
KeySrc	Key src from boot header
Iv	From Boot header + 8bits from partition header
AuthCerPtr	Buffer allocated to copy AC of the partition

XSecure_PartitionHeader

Structure to store the partition header details. It contains all the information of partition header in order.

Declaration

```
typedef struct
{
    u32 EncryptedDataWordLength,
    u32 UnEncryptedDataWordLength,
    u32 TotalDataWordLength,
    u32 NextPartitionOffset,
    u64 DestinationExecutionAddress,
    u64 DestinationLoadAddress,
    u32 DataWordOffset,
    u32 PartitionAttributes,
    u32 SectionCount,
    u32 ChecksumWordOffset,
    u32 ImageHeaderOffset,
    u32 AuthCertificateOffset,
    u32 Iv,
    u32 Checksum
} XSecure_PartitionHeader;
```

Table 202: Structure XSecure_PartitionHeader member description

Member	Description
EncryptedDataWordLength	Encrypted word length of partition
UnEncryptedDataWordLength	unencrypted word length
TotalDataWordLength	Total word length including the authentication certificate if any
NextPartitionOffset	Address of the next partition header
DestinationExecutionAddress	Execution address
DestinationLoadAddress	Load address in DDR/TCM
DataWordOffset	Data offset in words
PartitionAttributes	partition attributes
SectionCount	section count
ChecksumWordOffset	address to checksum when enabled
ImageHeaderOffset	address to image header
AuthCertificateOffset	address to the authentication certificate when enabled
Iv	8 bits are to be added to and remaining are reserved
Checksum	checksum of the partition header

XSecure_RsaKey

Declaration

```
typedef struct
{
    u8 * Modulus,
    u8 * Exponentiation,
    u8 * Exponent
} XSecure_RsaKey;
```

Table 203: Structure XSecure_RsaKey member description

Member	Description
Modulus	Modulus
Exponentiation	Exponentiation
Exponent	Exponent

XiISkey Library v7.1

Overview

The XiISKey library provides APIs for programming and reading eFUSE bits and for programming the battery-backed RAM (BBRAM) of Zynq-7000 SoC, UltraScale, UltraScale+ and the Zynq UltraScale+ MPSoC devices.

- In Zynq-7000 devices:
 - PS eFUSE holds the RSA primary key hash bits and user feature bits, which can enable or disable some Zynq-7000 processor features.
 - PL eFUSE holds the AES key, the user key and some of the feature bits.
 - PL BBRAM holds the AES key.
- In Kintex/Virtex UltraScale or UltraScale+:
 - PL eFUSE holds the AES key, 32 bit and 128 bit user key, RSA hash and some of the feature bits.
 - PL BBRAM holds AES key with or without DPA protection enable or obfuscated key programming.
- In Zynq UltraScale+ MPSoC:
 - PUF registration and Regeneration.
 - PS eFUSE holds:

Programming AES key and can perform CRC verification of AES key

- Programming/Reading User fuses
- Programming/Reading PPK0/PPK1 sha3 hash
- Programming/Reading SPKID
- Programming/Reading secure control bits
 - PS BBRAM holds the AES key.
 - PL eFUSE holds the AES key, 32 bit and 128 bit user key, RSA hash and some of the feature bits.

- PL BBRAM holds AES key with or without DPA protection enable or obfuscated key programming.

BOARD Support Package Settings

There are few configurable parameters available under bsp settings, which can be configured during compilation of board support package.

Configurations For Adding New device

The below configurations helps in adding new device information not supported by default. Currently, MicroBlaze, Zynq UltraScale and Zynq UltraScale+ MPSoC devices are supported.

Parameter Name	Description
device_id	Mention the device ID
device_irlen	Mention IR length of the device. Default is 0
device_numslr	Mention number of SLRs available. Range of values can be 1 to 4. Default is 1. If no slaves are present and only one master SLR is available then only 1 number of SLR is available.
device_series	Select the device series. Default is FPGA SERIES ZYNQ. The following device series are supported: XSK_FPGA_SERIES_ZYNQ - Select if the device belongs to the Zynq-7000 family. XSK_FPGA_SERIES_ULTRA - Select if the device belongs to the Zynq UltraScale family. XSK_FPGA_SERIES_ULTRA_PLUS - Select if the device belongs to Zynq UltraScale MPSoC family.
device_masterslr	Mention the master SLR number. Default is 0.

Configurations For Zynq UltraScale+ MPSoC devices

Parameter Name	Description
override_sysmon_cfg	Default = TRUE, library configures sysmon before accessing efuse memory. If you are using the Sysmon library and XilSkey library together, XilSkey overwrites the user defined sysmon configuration by default. When override_sysmon_cfg is set to false, XilSkey expects you to configure the sysmon to read the 3 ADC channels - Supply 1 (VPINT), Supply 3 (VPAUX) and LPD Temperature. XilSkey validates the user defined sysmon configuration is correct before performing the eFuse operations.

.. note:: On Ultrascale and Ultrascale plus devices there can be multiple or single SLRs and among which one can be master and the others are slaves, where SLR 0 is not always the master SLR. Based on master and slave SLR order SLRs in this library are referred with config order index. Master SLR is mentioned with CONFIG ORDER 0, then follows the slaves config order, CONFIG ORDER 1,2 and 3 are for slaves in order. Due to the added support for the SSIT devices, it is recommended to use the updated library with updated examples only for the UltraScale and the UltraScale+ devices.

Hardware Setup

This section describes the hardware setup required for programming PL BBRAM or PL eFUSE.

Hardware setup for Zynq PL

This section describes the hardware setup required for programming BBRAM or eFUSE of Zynq PL devices. PL eFUSE or PL BBRAM is accessed through PS via MIO pins which are used for communication PL eFUSE or PL BBRAM through JTAG signals, these can be changed depending on the hardware setup. A hardware setup which dedicates four MIO pins for JTAG signals should be used and the MIO pins should be mentioned in application header file (xilskey_input.h). There should be a method to download this example and have the MIO pins connected to JTAG before running this application. You can change the listed pins at your discretion.

MUX Usage Requirements

To write the PL eFUSE or PL BBRAM using a driver you must:

- Use four MIO lines (TCK,TMS,TDO,TDI)
- Connect the MIO lines to a JTAG port

If you want to switch between the external JTAG and JTAG operation driven by the MIOs, you must:

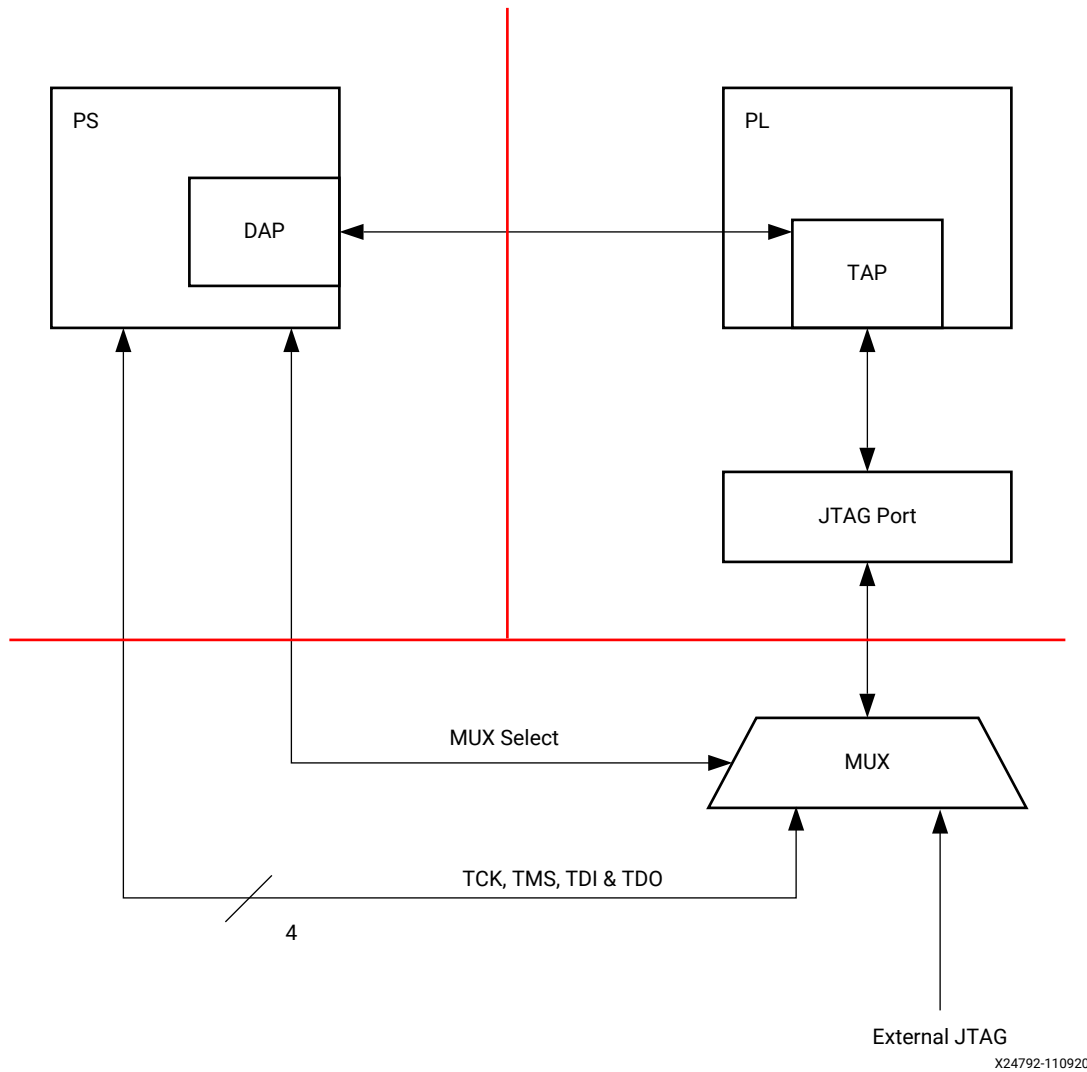
- Include a MUX between the external JTAG and the JTAG operation driven by the MIOs
- Assign a MUX selection PIN

To rephrase, to select JTAG for PL EFUSE or PL BBRAM writing, you must define the following:

- The MIOs used for JTAG operations (TCK,TMS,TDI,TDO).
- The MIO used for the MUX Select Line.
- The Value on the MUX Select line, to select JTAG for PL eFUSE or PL BBRAM writing.

The following graphic illustrates the correct MUX usage:

Figure 2: MUX Usage



Note: If you use the Vivado Device Programmer tool to burn PL eFUSEs, there is no need for MUX circuitry or MIO pins.

Hardware setup for UltraScale or UltraScale+

This section describes the hardware setup required for programming BBRAM or eFUSE of UltraScale devices. Accessing UltraScale MicroBlaze eFuse is done by using block RAM initialization. UltraScale eFUSE programming is done through MASTER JTAG. Crucial Programming sequence will be taken care by Hardware module. It is mandatory to add Hardware module in the design. Use hardware module's vhd code and instructions provided to add Hardware module in the design.

- You need to add the Master JTAG primitive to design, that is, the MASTER_JTAG_inst instantiation has to be performed and AXI GPIO pins have to be connected to TDO, TDI, TMS and TCK signals of the MASTER_JTAG primitive.
- For programming eFUSE, along with master JTAG, hardware module(HWM) has to be added in design and its signals XSK_EFUSEPL_AXI_GPIO_HWM_READY , XSK_EFUSEPL_AXI_GPIO_HWM_END and XSK_EFUSEPL_AXI_GPIO_HWM_START, needs to be connected to AXI GPIO pins to communicate with HWM. Hardware module is not mandatory for programming BBRAM. If your design has a HWM, it is not harmful for accessing BBRAM.
- All inputs (Master JTAG's TDO and HWM's HWM_READY, HWM_END) and all outputs (Master JTAG TDI, TMS, TCK and HWM's HWM_START) can be connected in one channel (or) inputs in one channel and outputs in other channel.
- Some of the outputs of GPIO in one channel and some others in different channels are not supported.
- The design should contain AXI BRAM control memory mapped (1MB).

Note: MASTER_JTAG will disable all other JTAGs.

For providing inputs of MASTER JTAG signals and HWM signals connected to the GPIO pins and GPIO channels, refer GPIO Pins Used for PL Master JTAG Signal and GPIO Channels sections of the UltraScale User-Configurable PL eFUSE Parameters and UltraScale User-Configurable PL BBRAM Parameters. The procedure for programming BBRAM of eFUSE of UltraScale or UltraScale+ can be referred at UltraScale BBRAM Access Procedure and UltraScale eFUSE Access Procedure.

Source Files

The following is a list of eFUSE and BBRAM application project files, folders and macros.

- xilskey_efuse_example.c: This file contains the main application code. The file helps in the PS/PL structure initialization and writes/reads the PS/PL eFUSE based on the user settings provided in the xilskey_input.h file.
- xilskey_input.h: This file contains all the actions that are supported by the eFUSE library. Using the preprocessor directives given in the file, you can read/write the bits in the PS/PL eFUSE. More explanation of each directive is provided in the following sections. Burning or reading the PS/PL eFUSE bits is based on the values set in the xilskey_input.h file. Also contains GPIO pins and channels connected to MASTER JTAG primitive and hardware module to access Ultrascale eFUSE.

In this file:

- specify the 256 bit key to be programmed into BBRAM.
- specify the AES(256 bit) key, User (32 bit and 128 bit) keys and RSA key hash(384 bit) key to be programmed into UltraScale eFUSE.

- XSK_EFUSEPS_DRIVER: Define to enable the writing and reading of PS eFUSE.
 - XSK_EFUSEPL_DRIVER: Define to enable the writing of PL eFUSE.
 - xilskey_bbram_example.c: This file contains the example to program a key into BBRAM and verify the key.
- Note:** This algorithm only works when programming and verifying key are both executed in the recommended order.
- xilskey_efuseps_zynqmp_example.c: This file contains the example code to program the PS eFUSE and read back of eFUSE bits from the cache.
 - xilskey_efuseps_zynqmp_input.h: This file contains all the inputs supported for eFUSE PS of Zynq UltraScale+ MPSoC. eFUSE bits are programmed based on the inputs from the xilskey_efuseps_zynqmp_input.h file.
 - xilskey_bbramps_zynqmp_example.c: This file contains the example code to program and verify BBRAM key of Zynq UltraScale+ MPSoC. Default is zero. You can modify this key on top of the file.
 - xilskey_bbram_ultrascale_example.c: This file contains example code to program and verify BBRAM key of UltraScale.

Note: Programming and verification of BBRAM key cannot be done separately.

- xilskey_bbram_ultrascale_input.h: This file contains all the preprocessor directives you need to provide. In this file, specify BBRAM AES key or Obfuscated AES key to be programmed, DPA protection enable and, GPIO pins and channels connected to MASTER JTAG primitive.
- xilskey_puf_registration.c: This file contains all the PUF related code. This example illustrates PUF registration and generating black key and programming eFUSE with PUF helper data, CHash and Auxiliary data along with the Black key.
- xilskey_puf_registration.h: This file contains all the preprocessor directives based on which read/write the eFUSE bits and Syndrome data generation. More explanation of each directive is provided in the following sections.



CAUTION! *Ensure that you enter the correct information before writing or 'burning' eFUSE bits. Once burned, they cannot be changed. The BBRAM key can be programmed any number of times.*

Note: POR reset is required for the eFUSE values to be recognized.

BBRAM PL API

This section provides a linked summary and detailed descriptions of the battery-backed RAM (BBRAM) APIs of Zynq PL and UltraScale devices.

Example Usage

- Zynq BBRAM PL example usage:
 - The Zynq BBRAM PL example application should contain the `xilskey_bbram_example.c` and `xilskey_input.h` files.
 - You should provide user configurable parameters in the `xilskey_input.h` file. For more information, refer [Zynq User-Configurable PL BBRAM Parameters](#).
- UltraScale BBRAM example usage:
 - The UltraScale BBRAM example application should contain the `xilskey_bbram_ultrascale_input.h` and `xilskey_bbram_ultrascale_example.c` files.
 - You should provide user configurable parameters in the `xilskey_bbram_ultrascale_input.h` file. For more information, refer [UltraScale or UltraScale+ User-Configurable BBRAM PL Parameters](#).

Note: It is assumed that you have set up your hardware prior to working on the example application. For more information, refer [Hardware Setup](#).

Table 204: Quick Function Reference

Type	Name	Arguments
int	XilSKey_Bbram_Program	XilSKey_Bbram * InstancePtr
int	XilSKey_Bbram_JTAGServerInit	XilSKey_Bbram * InstancePtr

Functions

XilSKey_Bbram_Program

This function implements the BBRAM algorithm for programming and verifying key. The program and verify will only work together in and in that order.

Note: This function will program BBRAM of Ultrascale and Zynq as well.

Prototype

```
int XilSKey_Bbram_Program(XilSKey_Bbram *InstancePtr);
```

Parameters

The following table lists the `XilSKey_Bbram_Program` function arguments.

Table 205: XilSKey_Bbram_Program Arguments

Type	Name	Description
XilSKey_Bbram *	InstancePtr	Pointer to XilSKey_Bbram

Returns

XilSKey_Bbram_JTAGServerInit

This function initializes JTAG server.

Prototype

```
int XilSKey_Bbram_JTAGServerInit(XilSKey_Bbram *InstancePtr);
```

Parameters

The following table lists the `XilSKey_Bbram_JTAGServerInit` function arguments.

Table 206: XilSKey_Bbram_JTAGServerInit Arguments

Type	Name	Description
XilSKey_Bbram *	InstancePtr	Pointer to XilSKey_Bbram

Returns

Zynq UltraScale+ MPSoC BBRAM PS API

This section provides a linked summary and detailed descriptions of the battery-backed RAM (BBRAM) APIs for Zynq UltraScale+ MPSoC devices.

Example Usage

- The Zynq UltraScale+ MPSoC example application should contain the `xilskey_bbramps_zynqmp_example.c` file.
- User configurable key can be modified in the same file (`xilskey_bbramps_zynqmp_example.c`), at the `XSK_ZYNQMP_BBRAMPS_AES_KEY` macro.

Table 207: Quick Function Reference

Type	Name	Arguments
u32	<code>XilSKey_ZynqMp_Bbram_Program</code>	<code>const u32 * AesKey</code>

Table 207: Quick Function Reference (cont'd)

Type	Name	Arguments
u32	XilSKey_ZynqMp_Bbram_Zeroise	void

Functions

XilSKey_ZynqMp_Bbram_Program

This function implements the BBRAM programming and verifying the key written. Program and verification of AES will work only together. CRC of the provided key will be calculated internally and verified after programming.

Prototype

```
u32 XilSKey_ZynqMp_Bbram_Program(const u32 *AesKey);
```

Parameters

The following table lists the `XilSKey_ZynqMp_Bbram_Program` function arguments.

Table 208: XilSKey_ZynqMp_Bbram_Program Arguments

Type	Name	Description
const u32 *	AesKey	Pointer to the key which has to be programmed.

Returns

- Error code from `XskZynqMp_Ps_Bbram_ErrorCodes` enum if it fails
- `XST_SUCCESS` if programming is done.

XilSKey_ZynqMp_Bbram_Zeroise

This function zeroize's Bbram Key.

Note: BBRAM key will be zeroized.

Prototype

```
u32 XilSKey_ZynqMp_Bbram_Zeroise(void);
```


Returns

Zynq eFUSE PS API

This chapter provides a linked summary and detailed descriptions of the Zynq eFUSE PS APIs.

Example Usage

- The Zynq eFUSE PS example application should contain the `xilskey_efuse_example.c` and the `xilskey_input.h` files.
- There is no need of any hardware setup. By default, both the eFUSE PS and PL are enabled in the application. You can comment 'XSK_EFUSEPL_DRIVER' to execute only the PS. For more details, refer [Zynq User-Configurable PS eFUSE Parameters](#).

Table 209: Quick Function Reference

Type	Name	Arguments
u32	XilSKey_EfusePs_Write	InstancePtr
u32	XilSKey_EfusePs_Read	InstancePtr
u32	XilSKey_EfusePs_ReadStatus	XilSKey_EPs * InstancePtr u32 * StatusBits

Functions

XilSKey_EfusePs_Write

PS eFUSE interface functions

This function is used to write to the PS eFUSE.

Note: When called, this initializes the timer, XADC subsystems. Unlocks the PS eFUSE controller. Configures the PS eFUSE controller. Writes the hash and control bits if requested. Programs the PS eFUSE to enable the RSA authentication if requested. Locks the PS eFUSE controller. Returns an error, if the reference clock frequency is not in between 20 and 60 MHz or if the system is not in a position to write the requested PS eFUSE bits (because the bits are already written or not allowed to write) or if the temperature and voltage are not within range.

Prototype

```
u32 XilSKey_EfusePs_Write(XilSKey_EPs *PsInstancePtr);
```

Parameters

The following table lists the `XilSKey_EfusePs_Write` function arguments.

Table 210: XilSKey_EfusePs_Write Arguments

Type	Name	Description
Commented parameter InstancePtr does not exist in function XilSKey_EfusePs_Write.	InstancePtr	Pointer to the PsEfuseHandle which describes which PS eFUSE bit should be burned.

Returns

- XST_SUCCESS.
- In case of error, value is as defined in `xilskey_utils.h` Error value is a combination of Upper 8 bit value and Lower 8 bit value. For example, 0x8A03 should be checked in `error.h` as 0x8A00 and 0x03. Upper 8 bit value signifies the major error and lower 8 bit values tells more precisely.

XilSKey_EfusePs_Read

This function is used to read the PS eFUSE.

Note: When called: This API initializes the timer, XADC subsystems. Unlocks the PS eFUSE Controller. Configures the PS eFUSE Controller and enables read-only mode. Reads the PS eFUSE (Hash Value), and enables read-only mode. Locks the PS eFUSE Controller. Returns an error, if the reference clock frequency is not in between 20 and 60MHz. or if unable to unlock PS eFUSE controller or requested address corresponds to restricted bits. or if the temperature and voltage are not within range

Prototype

```
u32 XilSKey_EfusePs_Read(XilSKey_EPs *PsInstancePtr);
```

Parameters

The following table lists the `XilSKey_EfusePs_Read` function arguments.

Table 211: XilSKey_EfusePs_Read Arguments

Type	Name	Description
Commented parameter InstancePtr does not exist in function XilSKey_EfusePs_Read.	InstancePtr	Pointer to the PsEfuseHandle which describes which PS eFUSE should be burned.

Returns

- XST_SUCCESS no errors occurred.

- In case of error, value is as defined in `xilskey_utils.h`. Error value is a combination of Upper 8 bit value and Lower 8 bit value. For example, `0x8A03` should be checked in `error.h` as `0x8A00` and `0x03`. Upper 8 bit value signifies the major error and lower 8 bit values tells more precisely.

XilSkey_EfusePs_ReadStatus

This function is used to read the PS efuse status register.

Note: This API unlocks the controller and reads the Zynq PS eFUSE status register.

Prototype

```
u32 XilSkey_EfusePs_ReadStatus(XilSkey_EPs *InstancePtr, u32 *StatusBits);
```

Parameters

The following table lists the `XilSkey_EfusePs_ReadStatus` function arguments.

Table 212: XilSkey_EfusePs_ReadStatus Arguments

Type	Name	Description
XilSkey_EPs *	InstancePtr	Pointer to the PS eFUSE instance.
u32 *	StatusBits	Buffer to store the status register read.

Returns

- XST_SUCCESS.
- XST_FAILURE

Zynq UltraScale+ MPSoC eFUSE PS API

This chapter provides a linked summary and detailed descriptions of the Zynq MPSoC UltraScale+ eFUSE PS APIs.

Example Usage

- For programming eFUSES other than the PUF, the Zynq UltraScale+ MPSoC example application should contain the `xilskey_efuseps_zynqmp_example.c` and the `xilskey_efuseps_zynqmp_input.h` files.
- For PUF registration, programming PUF helper data, AUX, chash, and black key, the Zynq UltraScale+ MPSoC example application should contain the `xilskey_puf_registration.c` and the `xilskey_puf_registration.h` files.

- For more details on the user configurable parameters, refer [Zynq UltraScale+ MPSoC User-Configurable PS eFUSE Parameters](#) and [Zynq UltraScale+ MPSoC User-Configurable PS PUF Parameters](#).

This file contains the PS eFUSE API's of Zynq UltraScale+ MPSoC to program/read the eFUSE array.

Table 213: Quick Function Reference

Type	Name	Arguments
u32	XiISKey_ZynqMp_EfusePs_CheckAesKey Crc	u32 CrcValue
u32	XiISKey_ZynqMp_EfusePs_ReadUserFuse	u32 * UseFusePtr u8 UserFuse_Num u8 ReadOption
u32	XiISKey_ZynqMp_EfusePs_ReadPpk0Has h	u32 * Ppk0Hash u8 ReadOption
u32	XiISKey_ZynqMp_EfusePs_ReadPpk1Has h	u32 * Ppk1Hash u8 ReadOption
u32	XiISKey_ZynqMp_EfusePs_ReadSpkId	u32 * SpkId u8 ReadOption
void	XiISKey_ZynqMp_EfusePs_ReadDna	u32 * DnaRead
u32	XiISKey_ZynqMp_EfusePs_ReadSecCtrlBits	XiISKey_SecCtrlBits * ReadBackSecCtrlBits u8 ReadOption
u32	XiISKey_ZynqMp_EfusePs_CacheLoad	void
u32	XiISKey_ZynqMp_EfusePs_Write	XiISKey_ZynqMpEPs * InstancePtr
u32	XiISKey_ZynqMpEfuseAccess	const u32 AddrHigh const u32 AddrLow
void	XiISKey_ZynqMp_EfusePs_SetTimerValue s	void
u32	XiISKey_ZynqMp_EfusePs_ReadRow	u8 Row XskEfusePs_Type EfuseType u32 * RowData
u32	XiISKey_ZynqMp_EfusePs_SetWriteCondi tions	void

Table 213: Quick Function Reference (cont'd)

Type	Name	Arguments
u32	XilSkey_ZynqMp_EfusePs_WriteAndVerifyBit	u8 Row u8 Column XskEfusePs_Type EfuseType
u32	XilSkey_ZynqMp_EfusePs_Init	void
u32	XilSkey_ZynqMp_EfusePs_CheckForZeros	u8 RowStart u8 RowEnd XskEfusePs_Type EfuseType
u32	XilSkey_ZynqMp_EfusePs_WritePufHelperData	const XilSkey_Puf * InstancePtr
u32	XilSkey_ZynqMp_EfusePs_ReadPufHelperData	u32 * Address
u32	XilSkey_ZynqMp_EfusePs_WritePufChash	const XilSkey_Puf * InstancePtr
u32	XilSkey_ZynqMp_EfusePs_ReadPufChash	u32 * Address u8 ReadOption
u32	XilSkey_ZynqMp_EfusePs_WritePufAux	const XilSkey_Puf * InstancePtr
u32	XilSkey_ZynqMp_EfusePs_ReadPufAux	u32 * Address u8 ReadOption
u32	XilSkey_Write_Puf_EfusePs_SecureBits	const XilSkey_Puf_Secure * WriteSecureBits
u32	XilSkey_Read_Puf_EfusePs_SecureBits	XilSkey_Puf_Secure * SecureBitsRead u8 ReadOption
u32	XilSkey_Puf_Registration	XilSkey_Puf * InstancePtr
u32	XilSkey_Puf_Regeneration	const XilSkey_Puf * InstancePtr
INLINE u32	XilSkey_ZynqMp_EfusePsWrite_Checks	XilSkey_ZynqMpEPs * InstancePtr
INLINE u32	XilSkey_ZynqMp_EfusePs_WriteAndVerify_RowRange	const u8 * Data u8 RowStart u8 RowEnd XskEfusePs_Type EfuseType

Table 213: Quick Function Reference (cont'd)

Type	Name	Arguments
INLINE u32	XilSkey_ZynqMp_EfusePs_WriteBit	u8 Row u8 Column XskEfusePs_Type EfuseType
INLINE u32	XilSkey_ZynqMp_EfusePs_Write_SecCtrl	const XilSkey_ZynqMpEPs * InstancePtr
INLINE u32	XilSkey_ZynqMp_EfusePs_Write_SecCtrl Bits	const XilSkey_ZynqMpEPs * InstancePtr
INLINE u32	XilSkey_ZynqMp_EfusePs_Write_UsrCtrl Bits	const XilSkey_ZynqMpEPs * InstancePtr
INLINE void	XilSkey_ZynqMp_EfusePs_ReadSecCtrlBits_Regs	XilSkey_SecCtrlBits * ReadBackSecCtrlBits
INLINE u32	XilSkey_ZynqMp_EfusePs_CheckZeros_BfrPrgrmg	const XilSkey_ZynqMpEPs * InstancePtr
INLINE u32	XilSkey_ZynqMp_EfusePs_UserFuses_WriteChecks	const XilSkey_ZynqMpEPs * InstancePtr UserFuses_TobePrgrmd
INLINE u32	XilSkey_ZynqMp_EfusePs_UserFuses_ToBeProgrammed	const u8 * UserFuses_Write const u8 * UserFuses_Read XilSkey_UsrFuses * UserFuses_ToBePrgrmd
INLINE u32	XilSkey_ZynqMp_EfusePs_Enable_Rsa	const u8 * SecBits_read
u32	XilSkey_ZynqMpEfuseRead	Offset Buffer Size UsrFuseNum const u32 AddrHigh const u32 AddrLow
u32	XilSkey_ZynqMpEfuseWrite	const u32 AddrHigh const u32 AddrLow

Functions

XilSkey_ZynqMp_EfusePs_CheckAesKeyCrc

This function performs the CRC check of AES key

Note: For Calculating the CRC of the AES key use the [XilSkey_CrcCalculation\(\)](#) function or [XilSkey_CrcCalculation_AesKey\(\)](#) function

Prototype

```
u32 XilSKey_ZynqMp_EfusePs_CheckAesKeyCrc(u32 CrcValue);
```

Parameters

The following table lists the `XilSKey_ZynqMp_EfusePs_CheckAesKeyCrc` function arguments.

Table 214: XilSKey_ZynqMp_EfusePs_CheckAesKeyCrc Arguments

Type	Name	Description
u32	CrcValue	A 32 bit CRC value of an expected AES key.

Returns

- XST_SUCCESS on successful CRC check.
- ErrorCode on failure

XilSKey_ZynqMp_EfusePs_ReadUserFuse

This function is used to read a user fuse from the eFUSE or cache

Note: It is highly recommended to read from eFuse cache. Because reading from efuse may reduce the life of the efuse. And Cache reload is required for obtaining updated values for ReadOption 0.

Prototype

```
u32 XilSKey_ZynqMp_EfusePs_ReadUserFuse(u32 *UseFusePtr, u8 UserFuse_Num, u8 ReadOption);
```

Parameters

The following table lists the `XilSKey_ZynqMp_EfusePs_ReadUserFuse` function arguments.

Table 215: XilSKey_ZynqMp_EfusePs_ReadUserFuse Arguments

Type	Name	Description
u32 *	UseFusePtr	Pointer to an array which holds the readback user fuse.
u8	UserFuse_Num	A variable which holds the user fuse number. Range is (User fuses: 0 to 7)
u8	ReadOption	Indicates whether or not to read from the actual eFUSE array or from the eFUSE cache. <ul style="list-style-type: none"> • 0(XSK_EFUSEPS_READ_FROM_CACHE) Reads from eFUSE cache • 1(XSK_EFUSEPS_READ_FROM_EFUSE) Reads from eFUSE array

Returns

- XST_SUCCESS on successful read
- ErrorCode on failure

XilSKey_ZynqMp_EfusePs_ReadPpk0Hash

This function is used to read the PPK0 hash from an eFUSE or eFUSE cache.

Note: It is highly recommended to read from eFuse cache. Because reading from efuse may reduce the life of the efuse. And Cache reload is required for obtaining updated values for ReadOption 0.

Prototype

```
u32 XilSKey_ZynqMp_EfusePs_ReadPpk0Hash(u32 *Ppk0Hash, u8 ReadOption);
```

Parameters

The following table lists the `XilSKey_ZynqMp_EfusePs_ReadPpk0Hash` function arguments.

Table 216: XilSKey_ZynqMp_EfusePs_ReadPpk0Hash Arguments

Type	Name	Description
u32 *	Ppk0Hash	A pointer to an array which holds the readback PPK0 hash.
u8	ReadOption	Indicates whether or not to read from the actual eFUSE array or from the eFUSE cache. <ul style="list-style-type: none"> • 0(XSK_EFUSEPS_READ_FROM_CACHE) Reads from eFUSE cache • 1(XSK_EFUSEPS_READ_FROM_EFUSE) Reads from eFUSE array

Returns

- XST_SUCCESS on successful read
- ErrorCode on failure

XilSKey_ZynqMp_EfusePs_ReadPpk1Hash

This function is used to read the PPK1 hash from eFUSE or cache.

Note: It is highly recommended to read from eFuse cache. Because reading from efuse may reduce the life of the efuse. And Cache reload is required for obtaining updated values for ReadOption 0.

Prototype

```
u32 XilSKey_ZynqMp_EfusePs_ReadPpk1Hash(u32 *Ppk1Hash, u8 ReadOption);
```


Parameters

The following table lists the `XilSKey_ZynqMp_EfusePs_ReadPpk1Hash` function arguments.

Table 217: XilSKey_ZynqMp_EfusePs_ReadPpk1Hash Arguments

Type	Name	Description
u32 *	Ppk1Hash	Pointer to an array which holds the readback PPK1 hash.
u8	ReadOption	Indicates whether or not to read from the actual eFUSE array or from the eFUSE cache. <ul style="list-style-type: none"> 0(XSK_EFUSEPS_READ_FROM_CACHE) Reads from eFUSE cache 1(XSK_EFUSEPS_READ_FROM_EFUSE) Reads from eFUSE array

Returns

- XST_SUCCESS on successful read
- ErrorCode on failure

XilSKey_ZynqMp_EfusePs_ReadSpkId

This function is used to read SPKID from eFUSE or cache based on user's read option.

Note: It is highly recommended to read from eFuse cache. Because reading from efuse may reduce the life of the efuse. And Cache reload is required for obtaining updated values for ReadOption 0.

Prototype

```
u32 XilSKey_ZynqMp_EfusePs_ReadSpkId(u32 *SpkId, u8 ReadOption);
```

Parameters

The following table lists the `XilSKey_ZynqMp_EfusePs_ReadSpkId` function arguments.

Table 218: XilSKey_ZynqMp_EfusePs_ReadSpkId Arguments

Type	Name	Description
u32 *	SpkId	Pointer to a 32 bit variable which holds SPK ID.
u8	ReadOption	Indicates whether or not to read from the actual eFUSE array or from the eFUSE cache. <ul style="list-style-type: none"> 0(XSK_EFUSEPS_READ_FROM_CACHE) Reads from eFUSE cache 1(XSK_EFUSEPS_READ_FROM_EFUSE) Reads from eFUSE array

Returns

- XST_SUCCESS on successful read
- ErrorCode on failure

XilSKey_ZynqMp_EfusePs_ReadDna

This function is used to read DNA from eFUSE.

Prototype

```
void XilSKey_ZynqMp_EfusePs_ReadDna(u32 *DnaRead);
```

Parameters

The following table lists the `XilSKey_ZynqMp_EfusePs_ReadDna` function arguments.

Table 219: XilSKey_ZynqMp_EfusePs_ReadDna Arguments

Type	Name	Description
u32 *	DnaRead	Pointer to an array of 3 x u32 words which holds the readback DNA.

XilSKey_ZynqMp_EfusePs_ReadSecCtrlBits

This function is used to read the PS eFUSE secure control bits from cache or eFUSE based on user input provided.

Note: It is highly recommended to read from eFuse cache. Because reading from efuse may reduce the life of the efuse. And Cache reload is required for obtaining updated values for ReadOption 0.

Prototype

```
u32 XilSKey_ZynqMp_EfusePs_ReadSecCtrlBits(XilSKey_SecCtrlBits *ReadBackSecCtrlBits, u8 ReadOption);
```

Parameters

The following table lists the `XilSKey_ZynqMp_EfusePs_ReadSecCtrlBits` function arguments.

Table 220: XilSKey_ZynqMp_EfusePs_ReadSecCtrlBits Arguments

Type	Name	Description
XilSKey_SecCtrlBits *	ReadBackSecCtrlBits	Pointer to the XilSKey_SecCtrlBits which holds the read secure control bits.

Table 220: XilSKey_ZynqMp_EfusePs_ReadSecCtrlBits Arguments (cont'd)

Type	Name	Description
u8	ReadOption	Indicates whether or not to read from the actual eFUSE array or from the eFUSE cache. <ul style="list-style-type: none"> • 0(XSK_EFUSEPS_READ_FROM_CACHE) Reads from eFUSE cache • 1(XSK_EFUSEPS_READ_FROM_EFUSE) Reads from eFUSE array

Returns

- XST_SUCCESS if reads successfully
- XST_FAILURE if reading is failed

XilSKey_ZynqMp_EfusePs_CacheLoad

This function reloads the cache of eFUSE so that can be directly read from cache.

Note: Not recommended to call this API frequently, if this API is called all the cache memory is reloaded by reading eFUSE array, reading eFUSE bit multiple times may diminish the life time.

Prototype

```
u32 XilSKey_ZynqMp_EfusePs_CacheLoad(void);
```

Returns

- XST_SUCCESS on successful cache reload
- ErrorCode on failure

XilSKey_ZynqMp_EfusePs_Write

This function is used to program the PS eFUSE of ZynqMP, based on user inputs

Note: After eFUSE programming is complete, the cache is automatically reloaded so all programmed eFUSE bits can be directly read from cache.

Prototype

```
u32 XilSKey_ZynqMp_EfusePs_Write(XilSKey_ZynqMpEPs *InstancePtr);
```

Parameters

The following table lists the XilSKey_ZynqMp_EfusePs_Write function arguments.

Table 221: XilSKey_ZynqMp_EfusePs_Write Arguments

Type	Name	Description
XilSKey_ZynqMpEPs *	InstancePtr	Pointer to the XilSKey_ZynqMpEPs.

Returns

- XST_SUCCESS if programs successfully.
- Errorcode on failure

XilSkey_ZynqMpEfuseAccess

This function is used by PMUFW IPI call handler for programming eFUSE.

Register	Read	Write	Size in bytes	Offset
DNA	YES	NO	0xc	0xC
User0	YES	YES	0x4	0x20
User1	YES	YES	0x4	0x24
User2	YES	YES	0x4	0x28
User3	YES	YES	0x4	0x2c
User4	YES	YES	0x4	0x30
User5	YES	YES	0x4	0x34
User6	YES	YES	0x4	0x38
User7	YES	YES	0x4	0x3C
Misc user	YES	YES	0x4	0x40
Secure control	YES	YES	0x4	0x58
SPK ID	YES	YES	0x4	0x5C
AES key	NO	YES	0x20	0x60
PPK0 hash	YES	YES	0x30	0xA0
PPK1 hash	YES	YES	0x30	0xD0

Prototype

```
u32 XilSkey_ZynqMpEfuseAccess(const u32 AddrHigh, const u32 AddrLow);
```

Parameters

The following table lists the XilSkey_ZynqMpEfuseAccess function arguments.

Table 222: XilSkey_ZynqMpEfuseAccess Arguments

Type	Name	Description
const u32	AddrHigh	Higher 32-bit address of the XilSKey_Efuse structure.
const u32	AddrLow	Lower 32-bit address of the XilSKey_Efuse structure.

Returns

- XST_SUCCESS - On success
- ErrorCode - on Failure

XilSkey_ZynqMp_EfusePs_SetTimerValues

This function sets timers for programming and reading from eFUSE.

Prototype

```
void XilSKey_ZynqMp_EfusePs_SetTimerValues(void);
```

XilSkey_ZynqMp_EfusePs_ReadRow

This function returns particular row data directly from eFUSE array.

Prototype

```
u32 XilSKey_ZynqMp_EfusePs_ReadRow(u8 Row, XskEfusePs_Type EfuseType, u32 *RowData);
```

Parameters

The following table lists the `XilSKey_ZynqMp_EfusePs_ReadRow` function arguments.

Table 223: XilSkey_ZynqMp_EfusePs_ReadRow Arguments

Type	Name	Description
u8	Row	specifies the row number to read.
XskEfusePs_Type	EfuseType	specifies the eFUSE type.
u32 *	RowData	is a pointer to 32 bit variable to hold the data read from provided data

Returns

XST_SUCCESS - On success ErrorCode - on Failure

XilSkey_ZynqMp_EfusePs_SetWriteConditions

This function sets all the required parameters to program eFUSE array.

Prototype

```
u32 XilSKey_ZynqMp_EfusePs_SetWriteConditions(void);
```

Returns

XST_SUCCESS - On success ErrorCode - on Failure

XilSKey_ZynqMp_EfusePs_WriteAndVerifyBit

This function programs and verifies the particular bit of eFUSE array

Prototype

```
u32 XilSKey_ZynqMp_EfusePs_WriteAndVerifyBit(u8 Row, u8 Column,
XskEfusePs_Type EfuseType);
```

Parameters

The following table lists the `XilSKey_ZynqMp_EfusePs_WriteAndVerifyBit` function arguments.

Table 224: XilSKey_ZynqMp_EfusePs_WriteAndVerifyBit Arguments

Type	Name	Description
u8	Row	specifies the row number.
u8	Column	specifies the column number.
XskEfusePs_Type	EfuseType	specifies the eFUSE type.

Returns

XST_SUCCESS - On success ErrorCode - on Failure

XilSKey_ZynqMp_EfusePs_Init

This function initializes sysmonpsu driver.

Prototype

```
u32 XilSKey_ZynqMp_EfusePs_Init(void);
```

Returns

XST_SUCCESS - On success ErrorCode - on Failure

XilSKey_ZynqMp_EfusePs_CheckForZeros

This function is used verify eFUSE keys for Zeros

Prototype

```
u32 XilSKey_ZynqMp_EfusePs_CheckForZeros(u8 RowStart, u8 RowEnd,
XskEfusePs_Type EfuseType);
```

Parameters

The following table lists the `XilSKey_ZynqMp_EfusePs_CheckForZeros` function arguments.

Table 225: XilSKey_ZynqMp_EfusePs_CheckForZeros Arguments

Type	Name	Description
u8	RowStart	is row number from which verification has to be started.
u8	RowEnd	is row number till which verification has to be ended.
XskEfusePs_Type	EfuseType	is the type of the eFUSE in which these rows reside.

Returns

XST_SUCCESS if keys are not programmed. Errorcode on failure.

XilSKey_ZynqMp_EfusePs_WritePufHelprData

This function programs the PS eFUSEs with the PUF helper data.

Note: To generate PufSyndromeData please use XilSKey_Puf_Registration API

Prototype

```
u32 XilSKey_ZynqMp_EfusePs_WritePufHelprData(const XilSKey_Puf
*InstancePtr);
```

Parameters

The following table lists the `XilSKey_ZynqMp_EfusePs_WritePufHelprData` function arguments.

Table 226: XilSKey_ZynqMp_EfusePs_WritePufHelprData Arguments

Type	Name	Description
const XilSKey_Puf *	InstancePtr	Pointer to the XilSKey_Puf instance.

Returns

- XST_SUCCESS if programs successfully.
- Errorcode on failure

XilSKey_ZynqMp_EfusePs_ReadPufHelprData

This function reads the PUF helper data from eFUSE.

Note: This function only reads from eFUSE non-volatile memory. There is no option to read from Cache.

Prototype

```
u32 XilSKey_ZynqMp_EfusePs_ReadPufHelprData(u32 *Address);
```

Parameters

The following table lists the `XilSKey_ZynqMp_EfusePs_ReadPufHelprData` function arguments.

Table 227: XilSKey_ZynqMp_EfusePs_ReadPufHelprData Arguments

Type	Name	Description
u32 *	Address	Pointer to data array which holds the PUF helper data read from eFUSES.

Returns

- XST_SUCCESS if reads successfully.
- Errorcode on failure.

XilSKey_ZynqMp_EfusePs_WritePufChash

This function programs eFUSE with CHash value.

Note: To generate the CHash value, please use `XilSKey_Puf_Registration` function.

Prototype

```
u32 XilSKey_ZynqMp_EfusePs_WritePufChash(const XilSKey_Puf *InstancePtr);
```

Parameters

The following table lists the `XilSKey_ZynqMp_EfusePs_WritePufChash` function arguments.

Table 228: XilSKey_ZynqMp_EfusePs_WritePufChash Arguments

Type	Name	Description
const XilSKey_Puf *	InstancePtr	Pointer to the XilSKey_Puf instance.

Returns

- XST_SUCCESS if chash is programmed successfully.
- An Error code on failure

XilSKey_ZynqMp_EfusePs_ReadPufChash

This function reads eFUSE PUF CHash data from the eFUSE array or cache based on the user read option.

Note: Cache reload is required for obtaining updated values for reading from cache..

Prototype

```
u32 XilSKey_ZynqMp_EfusePs_ReadPufChash(u32 *Address, u8 ReadOption);
```

Parameters

The following table lists the `XilSKey_ZynqMp_EfusePs_ReadPufChash` function arguments.

Table 229: XilSKey_ZynqMp_EfusePs_ReadPufChash Arguments

Type	Name	Description
u32 *	Address	Pointer which holds the read back value of the chash.
u8	ReadOption	Indicates whether or not to read from the actual eFUSE array or from the eFUSE cache. <ul style="list-style-type: none"> • 0(XSK_EFUSEPS_READ_FROM_CACHE) Reads from cache • 1(XSK_EFUSEPS_READ_FROM_EFUSE) Reads from eFUSE array

Returns

- XST_SUCCESS if programs successfully.
- Errorcode on failure

XilSKey_ZynqMp_EfusePs_WritePufAux

This function programs eFUSE PUF auxiliary data.

Note: To generate auxiliary data, please use `XilSKey_Puf_Registration` function.

Prototype

```
u32 XilSKey_ZynqMp_EfusePs_WritePufAux(const XilSKey_Puf *InstancePtr);
```

Parameters

The following table lists the `XilSKey_ZynqMp_EfusePs_WritePufAux` function arguments.

Table 230: XilSKey_ZynqMp_EfusePs_WritePufAux Arguments

Type	Name	Description
const XilSKey_Puf *	InstancePtr	Pointer to the XilSKey_Puf instance.

Returns

- XST_SUCCESS if the eFUSE is programmed successfully.
- Errorcode on failure

XilSKey_ZynqMp_EfusePs_ReadPufAux

This function reads eFUSE PUF auxiliary data from eFUSE array or cache based on user read option.

Note: Cache reload is required for obtaining updated values for reading from cache.

Prototype

```
u32 XilSKey_ZynqMp_EfusePs_ReadPufAux(u32 *Address, u8 ReadOption);
```

Parameters

The following table lists the `XilSKey_ZynqMp_EfusePs_ReadPufAux` function arguments.

Table 231: XilSKey_ZynqMp_EfusePs_ReadPufAux Arguments

Type	Name	Description
u32 *	Address	Pointer which holds the read back value of PUF's auxiliary data.
u8	ReadOption	Indicates whether or not to read from the actual eFUSE array or from the eFUSE cache. <ul style="list-style-type: none"> • 0(XSK_EFUSEPS_READ_FROM_CACHE) Reads from cache • 1(XSK_EFUSEPS_READ_FROM_EFUSE) Reads from eFUSE array

Returns

- XST_SUCCESS if PUF auxiliary data is read successfully.
- Errorcode on failure

XilSkey_Write_Puf_EfusePs_SecureBits

This function programs the eFUSE PUF secure bits

Prototype

```
u32 XilSkey_Write_Puf_EfusePs_SecureBits(const XilSkey_Puf_Secure
*WriteSecureBits);
```

Parameters

The following table lists the `XilSkey_Write_Puf_EfusePs_SecureBits` function arguments.

Table 232: XilSkey_Write_Puf_EfusePs_SecureBits Arguments

Type	Name	Description
const XilSkey_Puf_Secure *	WriteSecureBits	Pointer to the XilSkey_Puf_Secure structure

Returns

- XST_SUCCESS if eFUSE PUF secure bits are programmed successfully.
- Errorcode on failure.

XilSkey_Read_Puf_EfusePs_SecureBits

This function is used to read the PS eFUSE PUF secure bits from cache or from eFUSE array.

Prototype

```
u32 XilSkey_Read_Puf_EfusePs_SecureBits(XilSkey_Puf_Secure *SecureBitsRead,
u8 ReadOption);
```

Parameters

The following table lists the `XilSkey_Read_Puf_EfusePs_SecureBits` function arguments.

Table 233: XilSkey_Read_Puf_EfusePs_SecureBits Arguments

Type	Name	Description
XilSkey_Puf_Secure *	SecureBitsRead	Pointer to the XilSkey_Puf_Secure structure which holds the read eFUSE secure bits from the PUF.

Table 233: XilSKey_Read_Puf_EfusePs_SecureBits Arguments (cont'd)

Type	Name	Description
u8	ReadOption	Indicates whether or not to read from the actual eFUSE array or from the eFUSE cache. <ul style="list-style-type: none"> 0(XSK_EFUSEPS_READ_FROM_CACHE) Reads from cache 1(XSK_EFUSEPS_READ_FROM_EFUSE) Reads from eFUSE array

Returns

- XST_SUCCESS if reads successfully.
- Errorcode on failure.

XilSKey_Puf_Registration

This function performs registration of PUF which generates a new KEK and associated CHash, Auxiliary and PUF-syndrome data which are unique for each silicon.

Note: With the help of generated PUF syndrome data, it will be possible to re-generate same PUF KEK.

Prototype

```
u32 XilSKey_Puf_Registration(XilSKey_Puf *InstancePtr);
```

Parameters

The following table lists the `XilSKey_Puf_Registration` function arguments.

Table 234: XilSKey_Puf_Registration Arguments

Type	Name	Description
XilSKey_Puf *	InstancePtr	Pointer to the XilSKey_Puf instance.

Returns

- XST_SUCCESS if registration/re-registration was successful.
- ERROR if registration was unsuccessful

XilSKey_Puf_Regeneration

This function regenerates the PUF data so that the PUF's output can be used as the key source to the AES-GCM hardware cryptographic engine.

Prototype

```
u32 XilSKey_Puf_Regeneration(const XilSKey_Puf *InstancePtr);
```

Parameters

The following table lists the `XilSKey_Puf_Regeneration` function arguments.

Table 235: XilSKey_Puf_Regeneration Arguments

Type	Name	Description
const XilSKey_Puf *	InstancePtr	is a pointer to the XilSKey_Puf instance.

Returns

- XST_SUCCESS if regeneration was successful.
- ERROR if regeneration was unsuccessful

XilSKey_ZynqMp_EfusePsWrite_Checks

This function performs pre checks for programming all the specified bits.

Prototype

```
INLINE u32 XilSKey_ZynqMp_EfusePsWrite_Checks(XilSKey_ZynqMpEPs *InstancePtr);
```

Parameters

The following table lists the `XilSKey_ZynqMp_EfusePsWrite_Checks` function arguments.

Table 236: XilSKey_ZynqMp_EfusePsWrite_Checks Arguments

Type	Name	Description
XilSKey_ZynqMpEPs *	InstancePtr	is the pointer to the XilSKey_ZynqMpEPs.

Returns

XST_SUCCESS - if all the conditions for programming is satisfied
 Errorcode - if any of the conditions are not met

XilSKey_ZynqMp_EfusePs_WriteAndVerify_RowRange

This function programs and verifies the row range provided with provided data.

Prototype

```

INLINE u32 XilSKey_ZynqMp_EfusePs_WriteAndVerify_RowRange(const u8 *Data,
u8 RowStart, u8 RowEnd, XskEfusePs_Type EfuseType);
    
```

Parameters

The following table lists the `XilSKey_ZynqMp_EfusePs_WriteAndVerify_RowRange` function arguments.

Table 237: XilSKey_ZynqMp_EfusePs_WriteAndVerify_RowRange Arguments

Type	Name	Description
const u8 *	Data	is a pointer to an array which contains data to be programmed.
u8	RowStart	holds the row number from which data programming has to be started.
u8	RowEnd	holds the row number till which data programming has to be performed.
XskEfusePs_Type	EfuseType	holds the type of the efuse in which programming rows resides in.

Returns

XST_SUCCESS - On success XST_FAILURE - on Failure

XilSKey_ZynqMp_EfusePs_WriteBit

This function programs a particular bit.

Prototype

```

INLINE u32 XilSKey_ZynqMp_EfusePs_WriteBit(u8 Row, u8 Column,
XskEfusePs_Type EfuseType);
    
```

Parameters

The following table lists the `XilSKey_ZynqMp_EfusePs_WriteBit` function arguments.

Table 238: XilSKey_ZynqMp_EfusePs_WriteBit Arguments

Type	Name	Description
u8	Row	specifies the row number to program.
u8	Column	specifies the column number to program.
XskEfusePs_Type	EfuseType	specifies the eFUSE type.

Returns

XST_SUCCESS - On success ErrorCode - on Failure

XilSKey_ZynqMp_EfusePs_Write_SecCtrl

This function programs secure control bits specified by user.

Prototype

```
INLINE u32 XilSKey_ZynqMp_EfusePs_Write_SecCtrl(const XilSKey_ZynqMpEPs
*InstancePtr);
```

Parameters

The following table lists the `XilSKey_ZynqMp_EfusePs_Write_SecCtrl` function arguments.

Table 239: XilSKey_ZynqMp_EfusePs_Write_SecCtrl Arguments

Type	Name	Description
const XilSKey_ZynqMpEPs *	InstancePtr	is an instance of efuseps of Zynq MP.

Returns

XST_SUCCESS - On success ErrorCode - on Failure

XilSKey_ZynqMp_EfusePs_Write_SecCtrlBits

This function programs secure control bits of eFUSE

Prototype

```
INLINE u32 XilSKey_ZynqMp_EfusePs_Write_SecCtrlBits(const XilSKey_ZynqMpEPs
*InstancePtr);
```

Parameters

The following table lists the `XilSKey_ZynqMp_EfusePs_Write_SecCtrlBits` function arguments.

Table 240: XilSKey_ZynqMp_EfusePs_Write_SecCtrlBits Arguments

Type	Name	Description
const XilSKey_ZynqMpEPs *	InstancePtr	is an instance of efuseps of ZynqMp.

Returns

XST_SUCCESS - On success ErrorCode - on Failure

XilSKey_ZynqMp_EfusePs_Write_UsrCtrlBits

This function programs misc user control bits of eFUSE

Prototype

```
INLINE u32 XilSKey_ZynqMp_EfusePs_Write_UsrCtrlBits(const XilSKey_ZynqMpEPs
*InstancePtr);
```

Parameters

The following table lists the `XilSKey_ZynqMp_EfusePs_Write_UsrCtrlBits` function arguments.

Table 241: XilSKey_ZynqMp_EfusePs_Write_UsrCtrlBits Arguments

Type	Name	Description
const XilSKey_ZynqMpEPs *	InstancePtr	is an instance of efuseps of ZynqMp.

Returns

XST_SUCCESS - On success ErrorCode - on Failure

XilSKey_ZynqMp_EfusePs_ReadSecCtrlBits_Regs

This function is used to read the PS eFUSE secure control bits from cache or from eFUSE array based on user selection.

Note: It is highly recommended to read from eFuse cache. Because reading from efuse may reduce the life of the efuse. And Cache reload is required for obtaining updated values for ReadOption 0.

Prototype

```
INLINE void XilSKey_ZynqMp_EfusePs_ReadSecCtrlBits_Regs(XilSKey_SecCtrlBits
*ReadBackSecCtrlBits);
```

Parameters

The following table lists the `XilSKey_ZynqMp_EfusePs_ReadSecCtrlBits_Regs` function arguments.

Table 242: XilSKey_ZynqMp_EfusePs_ReadSecCtrlBits_Regs Arguments

Type	Name	Description
XilSKey_SecCtrlBits *	ReadBackSecCtrlBits	is the pointer to the XilSKey_SecCtrlBits which holds the read secure control bits.

Returns

- XST_SUCCESS if reads successfully
- XST_FAILURE if reading is failed

XilSKey_ZynqMp_EfusePs_CheckZeros_BfrPrgrmg

This function is used verify eFUSE keys for Zeros before programming.

- ErrorCode if keys are already programmed.

Prototype

```

INLINE u32 XilSKey_ZynqMp_EfusePs_CheckZeros_BfrPrgrmg(const
XilSKey_ZynqMpEPs *InstancePtr);
    
```

Parameters

The following table lists the `XilSKey_ZynqMp_EfusePs_CheckZeros_BfrPrgrmg` function arguments.

Table 243: XilSKey_ZynqMp_EfusePs_CheckZeros_BfrPrgrmg Arguments

Type	Name	Description
const XilSKey_ZynqMpEPs *	InstancePtr	is a pointer to eFUSE ps instance.

Returns

- XST_SUCCESS if keys are not programmed

XilSKey_ZynqMp_EfusePs_UserFuses_WriteChecks

This function throws an error if user requests already programmed User FUSE bit to revert, and copies the User FUSE bits which needs actually to be programmed into provided `UserFuses_TobePrgrmd` pointer.

Note: If user requests a non-zero bit for making to zero throws an error which is not possible

Prototype

```

INLINE u32 XilSKey_ZynqMp_EfusePs_UserFuses_WriteChecks(const
XilSKey_ZynqMpEPs *InstancePtr, XilSKey_UsrFuses *ToBePrgrmd);
    
```

Parameters

The following table lists the `XilSKey_ZynqMp_EfusePs_UserFuses_WriteChecks` function arguments.

Table 244: XilSKey_ZynqMp_EfusePs_UserFuses_WriteChecks Arguments

Type	Name	Description
const XilSKey_ZynqMpEPs *	InstancePtr	is a pointer to eFUSE ps instance.
Commented parameter UserFuses_TobePrgrmd does not exist in function XilSKey_ZynqMp_EfusePs_UserFuses_WriteChecks.	UserFuses_TobePrgrmd	holds User FUSE bits which needs to be actually programmed.

Returns

- ErrorCode if user requests programmed bit to revert.
- XST_SUCCESS if user requests valid bits

XilSKey_ZynqMp_EfusePs_UserFuses_TobeProgrammed

This function throws an error if user requests already programmed User FUSE bit to revert, and copies the bits to be programmed in particular row into provided UserFuses_TobePrgrmd pointer.

Note: If user requests a non-zero bit for making to zero throws an error which is not possible

Prototype

```

INLINE u32 XilSKey_ZynqMp_EfusePs_UserFuses_TobeProgrammed(const u8
*UserFuses_Write, const u8 *UserFuses_Read, XilSKey_UsrFuses
*UserFuses_TobePrgrmd);
    
```

Parameters

The following table lists the XilSKey_ZynqMp_EfusePs_UserFuses_TobeProgrammed function arguments.

Table 245: XilSKey_ZynqMp_EfusePs_UserFuses_TobeProgrammed Arguments

Type	Name	Description
const u8 *	UserFuses_Write	is a pointer to user requested programming bits of an User FUSE row.
const u8 *	UserFuses_Read	is a pointer to already programmed bits of User FUSE row on eFUSE.
<code>XilSKey_UsrFuses</code> *	UserFuses_TobePrgrmd	holds User FUSE row bits which needs to be programmed actually.

Returns

- XST_FAILURE: Returns error if user requests programmed bit to revert
- XST_SUCCESS: If User requests valid bits.

XilSKey_ZynqMp_EfusePs_Enable_Rsa

This function programs RSA enable secure control bits of eFUSE

Note: For ZynqMP silicon version 1.0 and 2.0 RSA authentication is enabled only by programming 24 and 25 bits of SEC_CTRL register but from silicon V3.0 bits 11:25 should be programmed

Prototype

```
INLINE u32 XilSKey_ZynqMp_EfusePs_Enable_Rsa(const u8 *SecBits_read);
```

Parameters

The following table lists the `XilSKey_ZynqMp_EfusePs_Enable_Rsa` function arguments.

Table 246: XilSKey_ZynqMp_EfusePs_Enable_Rsa Arguments

Type	Name	Description
const u8 *	SecBits_read	is a pointer which holds 32 bits of secure control register.

Returns

XST_SUCCESS - On success ErrorCode - on Failure

XilSKey_ZynqMpEfuseRead

This function provides support to read user eFUSES

Prototype

```
u32 XilSKey_ZynqMpEfuseRead(const u32 AddrHigh, const u32 AddrLow);
```

Parameters

The following table lists the `XilSKey_ZynqMpEfuseRead` function arguments.

Table 247: XilSKey_ZynqMpEfuseRead Arguments

Type	Name	Description
Commented parameter Offset does not exist in function <code>XilSKey_ZynqMpEfuseRead</code> .	Offset	Offset specifies the user fuses offset to be read.
Commented parameter Buffer does not exist in function <code>XilSKey_ZynqMpEfuseRead</code> .	Buffer	Requested user fuses values will be stored in this pointer.

Table 247: XilSKey_ZynqMpEfuseRead Arguments (cont'd)

Type	Name	Description
Commented parameter Size does not exist in function XilSKey_ZynqMpEfuseRead.	Size	To be specified in words.
Commented parameter UsrFuseNum does not exist in function XilSKey_ZynqMpEfuseRead.	UsrFuseNum	Userfuse number
const u32	AddrHigh	Higher 32-bit address of the XilSKey_Efuse structure.
const u32	AddrLow	Lower 32-bit address of the XilSKey_Efuse structure.

Returns

XST_SUCCESS - On success ErrorCode - on Failure This function provides support to read eFUSE memory XST_SUCCESS - On success ErrorCode - on Failure

XilSKey_ZynqMpEfuseWrite

This function provides support to program eFUSE memory

Prototype

```
u32 XilSKey_ZynqMpEfuseWrite(const u32 AddrHigh, const u32 AddrLow);
```

Parameters

The following table lists the XilSKey_ZynqMpEfuseWrite function arguments.

Table 248: XilSKey_ZynqMpEfuseWrite Arguments

Type	Name	Description
const u32	AddrHigh	Higher 32-bit address of the XilSKey_Efuse structure.
const u32	AddrLow	Lower 32-bit address of the XilSKey_Efuse structure.

Returns

XST_SUCCESS - On success ErrorCode - on Failure

eFUSE PL API

This chapter provides a linked summary and detailed descriptions of the eFUSE APIs of Zynq eFUSE PL and UltraScale eFUSE.

Example Usage

- The Zynq eFUSE PL and UltraScale example application should contain the `xilskey_efuse_example.c` and the `xilskey_input.h` files.
- By default, both the eFUSE PS and PL are enabled in the application. You can comment 'XSK_EFUSEPL_DRIVER' to execute only the PS.
- For UltraScale, it is mandatory to comment 'XSK_EFUSEPS_DRIVER' else the example will generate an error.
- For more details on the user configurable parameters, refer [Zynq User-Configurable PL eFUSE Parameters](#) and [UltraScale or UltraScale+ User-Configurable PL eFUSE Parameters](#).
- Requires hardware setup to program PL eFUSE of Zynq or UltraScale.

Table 249: Quick Function Reference

Type	Name	Arguments
u32	XilSkey_EfusePl_SystemInit	XilSkey_EPl * InstancePtr
u32	XilSkey_EfusePl_Program	InstancePtr
u32	XilSkey_EfusePl_ReadStatus	XilSkey_EPl * InstancePtr u32 * StatusBits
u32	XilSkey_EfusePl_ReadKey	XilSkey_EPl * InstancePtr

Functions

XilSkey_EfusePl_SystemInit

Note: Updates the global variable ErrorCode with error code(if any).

Prototype

```
u32 XilSkey_EfusePl_SystemInit(XilSkey_EPl *InstancePtr);
```

Parameters

The following table lists the `XilSKey_EfusePl_SystemInit` function arguments.

Table 250: XilSKey_EfusePl_SystemInit Arguments

Type	Name	Description
XilSKey_EPl *	InstancePtr	- Input data to be written to PL eFUSE

Returns

XilSKey_EfusePl_Program

Programs PL eFUSE with input data given through InstancePtr.

Note: When this API is called: Initializes the timer, XADC/xsysmon and JTAG server subsystems. Returns an error in the following cases, if the reference clock frequency is not in the range or if the PL DAP ID is not identified, if the system is not in a position to write the requested PL eFUSE bits (because the bits are already written or not allowed to write) if the temperature and voltage are not within range.

Prototype

```
u32 XilSKey_EfusePl_Program(XilSKey_EPl *PlInstancePtr);
```

Parameters

The following table lists the `XilSKey_EfusePl_Program` function arguments.

Table 251: XilSKey_EfusePl_Program Arguments

Type	Name	Description
Commented parameter InstancePtr does not exist in function XilSKey_EfusePl_Program.	InstancePtr	Pointer to PL eFUSE instance which holds the input data to be written to PL eFUSE.

Returns

- XST_FAILURE - In case of failure
- XST_SUCCESS - In case of Success

XilSKey_EfusePl_ReadStatus

Reads the PL efuse status bits and gets all secure and control bits.

Prototype

```
u32 XilSKey_EfusePl_ReadStatus(XilSKey_EPl *InstancePtr, u32 *StatusBits);
```

Parameters

The following table lists the `XilSKey_EfusePl_ReadStatus` function arguments.

Table 252: XilSKey_EfusePl_ReadStatus Arguments

Type	Name	Description
XilSKey_EPI *	InstancePtr	Pointer to PL eFUSE instance.
u32 *	StatusBits	Buffer to store the status bits read.

Returns

XilSKey_EfusePl_ReadKey

Reads the PL efuse keys and stores them in the corresponding arrays in instance structure.

Note: This function initializes the timer, XADC and JTAG server subsystems, if not already done so. In Zynq - Reads AES key and User keys. In UltraScale - Reads 32 bit and 128 bit User keys and RSA hash But AES key cannot be read directly it can be verified with CRC check (for that we need to update the instance with 32 bit CRC value, API updates whether provided CRC value is matched with actuals or not). To calculate the CRC of expected AES key one can use any of the following APIs [XilSKey_CrcCalculation\(\)](#) or [XilSKey_CrcCalculation_AesKey\(\)](#)

Prototype

```
u32 XilSKey_EfusePl_ReadKey(XilSKey_EPl *InstancePtr);
```

Parameters

The following table lists the `XilSKey_EfusePl_ReadKey` function arguments.

Table 253: XilSKey_EfusePl_ReadKey Arguments

Type	Name	Description
XilSKey_EPI *	InstancePtr	Pointer to PL eFUSE instance.

Returns

CRC Calculation API

This chapter provides a linked summary and detailed descriptions of the CRC calculation APIs. For UltraScale and Zynq UltraScale+ MPSoC devices, the programmed AES cannot be read back. The programmed AES key can only be verified by reading the CRC value of AES key.

Table 254: Quick Function Reference

Type	Name	Arguments
u32	XilSKey_CrcCalculation	const u8 * Key
u32	XilSkey_CrcCalculation_AesKey	const u8 * Key

Functions

XilSKey_CrcCalculation

This function Calculates CRC value based on hexadecimal string passed.

Note: If the length of the string provided is less than 64, this function appends the string with zeros. For calculation of AES key's CRC one can use u32 `XilSKey_CrcCalculation(u8 *Key)` API or reverse polynomial 0x82F63B78.

Prototype

```
u32 XilSKey_CrcCalculation(const u8 *Key);
```

Parameters

The following table lists the `XilSKey_CrcCalculation` function arguments.

Table 255: XilSKey_CrcCalculation Arguments

Type	Name	Description
const u8 *	Key	Pointer to the string contains AES key in hexadecimal of length less than or equal to 64.

Returns

- On Success returns the Crc of AES key value.
- On failure returns the error code when string length is greater than 64

XilSkey_CrcCalculation_AesKey

Calculates CRC value of the provided key. Key should be provided in hexa buffer.

Prototype

```
u32 XilSkey_CrcCalculation_AesKey(const u8 *Key);
```


Parameters

The following table lists the `XilSkey_CrcCalculation_AesKey` function arguments.

Table 256: XilSkey_CrcCalculation_AesKey Arguments

Type	Name	Description
const u8 *	Key	Pointer to an array of 32 bytes, which holds an AES key.

Returns

Crc of provided AES key value. To calculate CRC on the AES key in string format please use `XilSkey_CrcCalculation`.

User-Configurable Parameters

This section provides detailed descriptions of the various user configurable parameters.

Zynq User-Configurable PS eFUSE Parameters

Define the `XSK_EFUSEPS_DRIVER` macro to use the PS eFUSE. After defining the macro, provide the inputs defined with `XSK_EFUSEPS_DRIVER` to burn the bits in PS eFUSE. If the bit is to be burned, define the macro as `TRUE`; otherwise define the macro as `FALSE`. For details, refer the following table.

Macro Name	Description
<code>XSK_EFUSEPS_ENABLE_WRITE_PROTECT</code>	Default = <code>FALSE</code> . <code>TRUE</code> to burn the write-protect bits in eFUSE array. Write protect has two bits. When either of the bits is burned, it is considered write-protected. So, while burning the write-protected bits, even if one bit is blown, write API returns success. As previously mentioned, POR reset is required after burning for write protection of the eFUSE bits to go into effect. It is recommended to do the POR reset after write protection. Also note that, after write-protect bits are burned, no more eFUSE writes are possible. If the write-protect macro is <code>TRUE</code> with other macros, write protect is burned in the last iteration, after burning all the defined values, so that for any error while burning other macros will not effect the total eFUSE array. <code>FALSE</code> does not modify the write-protect bits.

Macro Name	Description
XSK_EFUSEPS_ENABLE_RSA_AUTH	Default = FALSE. Use TRUE to burn the RSA enable bit in the PS eFUSE array. After enabling the bit, every successive boot must be RSA-enabled apart from JTAG. Before burning (blowing) this bit, make sure that eFUSE array has the valid PPK hash. If the PPK hash burning is enabled, only after writing the hash successfully, RSA enable bit will be blown. For the RSA enable bit to take effect, POR reset is required. FALSE does not modify the RSA enable bit.
XSK_EFUSEPS_ENABLE_ROM_128K_CRC	Default = FALSE. TRUE burns the ROM 128K CRC bit. In every successive boot, BootROM calculates 128k CRC. FALSE does not modify the ROM CRC 128K bit.
XSK_EFUSEPS_ENABLE_RSA_KEY_HASH	Default = FALSE. TRUE burns (blows) the eFUSE hash, that is given in XSK_EFUSEPS_RSA_KEY_HASH_VALUE when write API is used. TRUE reads the eFUSE hash when the read API is used and is read into structure. FALSE ignores the provided value.
XSK_EFUSEPS_RSA_KEY_HASH_VALUE	Default = The specified value is converted to a hexadecimal buffer and written into the PS eFUSE array when the write API is used. This value should be the Primary Public Key (PPK) hash provided in string format. The buffer must be 64 characters long: valid characters are 0-9, a-f, and A-F. Any other character is considered an invalid string and will not burn RSA hash. When the XilSkey_EfusePs_Write() API is used, the RSA hash is written, and the XSK_EFUSEPS_ENABLE_RSA_KEY_HASH must have a value of TRUE.
XSK_EFUSEPS_DISABLE_DFT_JTAG	Default = FALSE TRUE disables DFT JTAG permanently. FALSE will not modify the eFuse PS DFT JTAG disable bit.
XSK_EFUSEPS_DISABLE_DFT_MODE	Default = FALSE TRUE disables DFT mode permanently. FALSE will not modify the eFuse PS DFT mode disable bit.

Zynq User-Configurable PL eFUSE Parameters

Define the XSK_EFUSEPL_DRIVER macro to use the PL eFUSE. After defining the macro, provide the inputs defined with XSK_EFUSEPL_DRIVER to burn the bits in PL eFUSE bits. If the bit is to be burned, define the macro as TRUE; otherwise define the macro as FALSE. The table below lists the user-configurable PL eFUSE parameters for Zynq devices.

Macro Name	Description
XSK_EFUSEPL_FORCE_PCYCLE_RECONFIG	Default = FALSE If the value is set to TRUE, then the part has to be power-cycled to be reconfigured. FALSE does not set the eFUSE control bit.

Macro Name	Description
XSK_EFUSEPL_DISABLE_KEY_WRITE	Default = FALSE TRUE disables the eFUSE write to FUSE_AES and FUSE_USER blocks. FALSE does not affect the eFUSE bit.
XSK_EFUSEPL_DISABLE_AES_KEY_READ	Default = FALSE TRUE disables the write to FUSE_AES and FUSE_USER key and disables the read of FUSE_AES. FALSE does not affect the eFUSE bit.
XSK_EFUSEPL_DISABLE_USER_KEY_READ	Default = FALSE. TRUE disables the write to FUSE_AES and FUSE_USER key and disables the read of FUSE_USER. FALSE does not affect the eFUSE bit.
XSK_EFUSEPL_DISABLE_FUSE_CNTRL_WRITE	Default = FALSE. TRUE disables the eFUSE write to FUSE_CTRL block. FALSE does not affect the eFUSE bit.
XSK_EFUSEPL_FORCE_USE_AES_ONLY	Default = FALSE. TRUE forces the use of secure boot with eFUSE AES key only. FALSE does not affect the eFUSE bit.
XSK_EFUSEPL_DISABLE_JTAG_CHAIN	Default = FALSE. TRUE permanently disables the Zynq ARM DAP and PL TAP. FALSE does not affect the eFUSE bit.
XSK_EFUSEPL_BBRAM_KEY_DISABLE	Default = FALSE. TRUE forces the eFUSE key to be used if booting Secure Image. FALSE does not affect the eFUSE bit.

MIO Pins for Zynq PL eFUSE JTAG Operations

The table below lists the MIO pins for Zynq PL eFUSE JTAG operations. You can change the listed pins at your discretion.

Note: The pin numbers listed in the table below are examples. You must assign appropriate pin numbers as per your hardware design.

Pin Name	Pin Number
XSK_EFUSEPL_MIO_JTAG_TDI	(17)
XSK_EFUSEPL_MIO_JTAG_TDO	(21)
XSK_EFUSEPL_MIO_JTAG_TCK	(19)
XSK_EFUSEPL_MIO_JTAG_TMS	(20)

MUX Selection Pin for Zynq PL eFUSE JTAG Operations

The table below lists the MUX selection pin.

Parameter Name	Description
XSK_EFUSEPL_USER_LOW_KEY	Default = 00 This value is converted to a hexadecimal buffer and written into the PL eFUSE array when the write API is used. This value is the User Low Key given in string format. It must be two characters long; valid characters are 0-9,a-f, and A-F. Any other character is considered as an invalid string and will not burn the User Low Key. To write the User Low Key, XSK_EFUSEPL_PROGRAM_AES_AND_USER_LOW_KEY must have a value of TRUE.
XSK_EFUSEPL_USER_HIGH_KEY	Default = 000000 The default value is converted to a hexadecimal buffer and written into the PL eFUSE array when the write API is used. This value is the User High Key given in string format. The buffer must be six characters long; valid characters are 0-9, a-f, A-F. Any other character is considered to be an invalid string and does not burn User High Key. To write the User High Key, the XSK_EFUSEPL_PROGRAM_USER_HIGH_KEY must have a value of TRUE.

Zynq User-Configurable PL BBRAM Parameters

The table below lists the MIO pins for Zynq PL BBRAM JTAG operations.

The table below lists the MUX selection pin for Zynq BBRAM PL JTAG operations.

Note: The pin numbers listed in the table below are examples. You must assign appropriate pin numbers as per your hardware design.

Pin Name	Pin Number
XSK_BBRAM_MIO_JTAG_TDI	(17)
XSK_BBRAM_MIO_JTAG_TDO	(21)
XSK_BBRAM_MIO_JTAG_TCK	(19)
XSK_BBRAM_MIO_JTAG_TMS	(20)

Pin Name	Pin Number
XSK_BBRAM_MIO_JTAG_MUX_SELECT	(11)

MUX Parameter for Zynq BBRAM PL JTAG Operations

The table below lists the MUX parameter for Zynq BBRAM PL JTAG operations.

Parameter Name	Description
XSK_BBRAM_MIO_MUX_SEL_DEFAULT_VAL	Default = LOW. LOW writes zero on the MUX select line before PL_eFUSE writing. HIGH writes one on the MUX select line before PL_eFUSE writing.

AES and User Key Parameters

The table below lists the AES and user key parameters.

Parameter Name	Description
XSK_BBRAM_AES_KEY	Default = XX. AES key (in HEX) that must be programmed into BBRAM.
XSK_BBRAM_AES_KEY_SIZE_IN_BITS	Default = 256. Size of AES key. Must be 256 bits.

UltraScale or UltraScale+ User-Configurable BBRAM PL Parameters

Following parameters need to be configured. Based on your inputs, BBRAM is programmed with the provided AES key.

AES Keys and Related Parameters

The following table shows AES key related parameters.

Parameter Name	Description
XSK_BBRAM_PGM_OBFUSCATED_KEY_SLR_CONFIG_ORDER_0	Default = FALSE By default, XSK_BBRAM_PGM_OBFUSCATED_KEY_SLR_CONFIG_ORDER_0 is FALSE. BBRAM is programmed with a non-obfuscated key provided in XSK_BBRAM_AES_KEY_SLR_CONFIG_ORDER_0 and DPA protection can be either in enabled/disabled state. TRUE programs the BBRAM with key provided in XSK_BBRAM_OBFUSCATED_KEY_SLR_CONFIG_ORDER_0 and DPA protection cannot be enabled.
XSK_BBRAM_PGM_OBFUSCATED_KEY_SLR_CONFIG_ORDER_1	Default = FALSE By default, XSK_BBRAM_PGM_OBFUSCATED_KEY_SLR_CONFIG_ORDER_1 is FALSE. BBRAM is programmed with a non-obfuscated key provided in XSK_BBRAM_AES_KEY_SLR_CONFIG_ORDER_1 and DPA protection can be either in enabled/disabled state. TRUE programs the BBRAM with key provided in XSK_BBRAM_OBFUSCATED_KEY_SLR_CONFIG_ORDER_1 and DPA protection cannot be enabled.

Parameter Name	Description
XSK_BBRAM_PGM_OBFUSCATED_KEY_SLR_CONFIG_ORDER_2	Default = FALSE By default, XSK_BBRAM_PGM_OBFUSCATED_KEY_SLR_CONFIG_ORDER_2 is FALSE. BBRAM is programmed with a non-obfuscated key provided in XSK_BBRAM_AES_KEY_SLR_CONFIG_ORDER_2 and DPA protection can be either in enabled/disabled state. TRUE programs the BBRAM with key provided in XSK_BBRAM_OBFUSCATED_KEY_SLR_CONFIG_ORDER_2 and DPA protection cannot be enabled.
XSK_BBRAM_PGM_OBFUSCATED_KEY_SLR_CONFIG_ORDER_3	Default = FALSE By default, XSK_BBRAM_PGM_OBFUSCATED_KEY_SLR_CONFIG_ORDER_3 is FALSE. BBRAM is programmed with a non-obfuscated key provided in XSK_BBRAM_AES_KEY_SLR_CONFIG_ORDER_3 and DPA protection can be either in enabled/disabled state. TRUE programs the BBRAM with key provided in XSK_BBRAM_OBFUSCATED_KEY_SLR_CONFIG_ORDER_3 and DPA protection cannot be enabled.
XSK_BBRAM_OBFUSCATED_KEY_SLR_CONFIG_ORDER_0	Default = b1c276899d71fb4cdd4a0a7905ea46c2e11f9574d09c7ea23b70b67de713ccd1 The value mentioned in this will be converted to hex buffer and the key is programmed into BBRAM, when program API is called. It should be 64 characters long, valid characters are 0-9,a-f,A-F. Any other character is considered as invalid string and will not program BBRAM. Note: For writing the OBFUSCATED Key, XSK_BBRAM_PGM_OBFUSCATED_KEY_SLR_CONFIG_ORDER_0 should have TRUE value.
XSK_BBRAM_OBFUSCATED_KEY_SLR_CONFIG_ORDER_1	Default = b1c276899d71fb4cdd4a0a7905ea46c2e11f9574d09c7ea23b70b67de713ccd1 The value mentioned in this will be converted to hex buffer and the key is programmed into BBRAM, when program API is called. It should be 64 characters long, valid characters are 0-9,a-f,A-F. Any other character is considered as invalid string and will not program BBRAM. Note: For writing the OBFUSCATED Key, XSK_BBRAM_PGM_OBFUSCATED_KEY_SLR_CONFIG_ORDER_1 should have TRUE value.

Parameter Name	Description
XSK_BBRAM_OBFUSCATED_KEY_SLR_CONFIG_ORDER_2	<p>Default = b1c276899d71fb4cdd4a0a7905ea46c2e11f9574d09c7ea23b70b67de713ccd1</p> <p>The value mentioned in this will be converted to hex buffer and the key is programmed into BBRAM, when program API is called. It should be 64 characters long, valid characters are 0-9,a-f,A-F. Any other character is considered as invalid string and will not program BBRAM.</p> <p>Note: For writing the OBFUSCATED Key, XSK_BBRAM_PGM_OBFUSCATED_KEY_SLR_CONFIG_ORDER_2 should have TRUE value.</p>
XSK_BBRAM_OBFUSCATED_KEY_SLR_CONFIG_ORDER_3	<p>Default = b1c276899d71fb4cdd4a0a7905ea46c2e11f9574d09c7ea23b70b67de713ccd1</p> <p>The value mentioned in this will be converted to hex buffer and the key is programmed into BBRAM, when program API is called. It should be 64 characters long, valid characters are 0-9,a-f,A-F. Any other character is considered as invalid string and will not program BBRAM.</p> <p>Note: For writing the OBFUSCATED Key, XSK_BBRAM_PGM_OBFUSCATED_KEY_SLR_CONFIG_ORDER_3 should have TRUE value.</p>
XSK_BBRAM_PGM_AES_KEY_SLR_CONFIG_ORDER_0	<p>Default = FALSE</p> <p>TRUE will program BBRAM with AES key provided in XSK_BBRAM_AES_KEY_SLR_CONFIG_ORDER_0</p>
XSK_BBRAM_PGM_AES_KEY_SLR_CONFIG_ORDER_1	<p>Default = FALSE</p> <p>TRUE will program BBRAM with AES key provided in XSK_BBRAM_AES_KEY_SLR_CONFIG_ORDER_1</p>
XSK_BBRAM_PGM_AES_KEY_SLR_CONFIG_ORDER_2	<p>Default = FALSE</p> <p>TRUE will program BBRAM with AES key provided in XSK_BBRAM_AES_KEY_SLR_CONFIG_ORDER_2</p>
XSK_BBRAM_PGM_AES_KEY_SLR_CONFIG_ORDER_3	<p>Default = FALSE</p> <p>TRUE will program BBRAM with AES key provided in XSK_BBRAM_AES_KEY_SLR_CONFIG_ORDER_3</p>

Parameter Name	Description
XSK_BBRAM_AES_KEY_SLR_CONFIG_ORDER_0	<p>Default = 000000000000000524156a63950bcdafeadcdeabaadee34216615aaaabbaaa</p> <p>The value mentioned in this will be converted to hex buffer and the key is programmed into BBRAM, when program API is called. It should be 64 characters long, valid characters are 0-9,a-f,A-F. Any other character is considered as invalid string and will not program BBRAM.</p> <p>Note: For writing AES key, XSK_BBRAM_PGM_AES_KEY_SLR_CONFIG</p> <p>_ORDER_0 should have TRUE value , and XSK_BBRAM_PGM_OBFUSCATED_KEY_SLR</p> <p>_CONFIG_ORDER_0 should have FALSE value.</p>
XSK_BBRAM_AES_KEY_SLR_CONFIG_ORDER_1	<p>Default = 000000000000000524156a63950bcdafeadcdeabaadee34216615aaaabbaaa</p> <p>The value mentioned in this will be converted to hex buffer and the key is programmed into BBRAM, when program API is called. It should be 64 characters long, valid characters are 0-9,a-f,A-F. Any other character is considered as invalid string and will not program BBRAM.</p> <p>Note: For writing AES key, XSK_BBRAM_PGM_AES_KEY_SLR_CONFIG</p> <p>_ORDER_1 should have TRUE value , and XSK_BBRAM_PGM_OBFUSCATED_KEY_SLR</p> <p>_CONFIG_ORDER_1 should have FALSE value</p>
XSK_BBRAM_AES_KEY_SLR_CONFIG_ORDER_2	<p>Default = 000000000000000524156a63950bcdafeadcdeabaadee34216615aaaabbaaa</p> <p>The value mentioned in this will be converted to hex buffer and the key is programmed into BBRAM, when program API is called. It should be 64 characters long, valid characters are 0-9,a-f,A-F. Any other character is considered as invalid string and will not program BBRAM.</p> <p>Note: For writing AES key, XSK_BBRAM_PGM_AES_KEY_SLR_CONFIG</p> <p>_ORDER_2 should have TRUE value , and XSK_BBRAM_PGM_OBFUSCATED_KEY_SLR</p> <p>_CONFIG_ORDER_2 should have FALSE value</p>

Parameter Name	Description
XSK_BBRAM_AES_KEY_SLR_CONFIG_ORDER_3	Default = 0000000000000000524156a63950bcedafeadcdeabaadee34216615aaaabbaaa The value mentioned in this will be converted to hex buffer and the key is programmed into BBRAM, when program API is called. It should be 64 characters long, valid characters are 0-9,a-f,A-F. Any other character is considered as invalid string and will not program BBRAM. Note: For writing AES key, XSK_BBRAM_PGM_AES_KEY_SLR_CONFIG_ORDER_3 should have TRUE value , and XSK_BBRAM_PGM_OBFUSCATED_KEY_SLR_CONFIG_ORDER_3 should have FALSE value
XSK_BBRAM_AES_KEY_SIZE_IN_BITS	Default= 256 Size of AES key must be 256 bits.

DPA Protection for BBRAM key

The following table shows DPA protection configurable parameter

Parameter Name	Description
XSK_BBRAM_DPA_PROTECT_ENABLE	Default = FALSE By default, the DPA protection will be in disabled state. TRUE will enable DPA protection with provided DPA count and configuration in XSK_BBRAM_DPA_COUNT and XSK_BBRAM_DPA_MODE respectively. DPA protection cannot be enabled if BBRAM is been programmed with an obfuscated key.
XSK_BBRAM_DPA_COUNT	Default = 0 This input is valid only when DPA protection is enabled. Valid range of values are 1 - 255 when DPA protection is enabled else 0.
XSK_BBRAM_DPA_MODE	Default = XSK_BBRAM_INVALID_CONFIGURATIONS When DPA protection is enabled it can be XSK_BBRAM_INVALID_CONFIGURATIONS or XSK_BBRAM_ALL_CONFIGURATIONS If DPA protection is disabled this input provided over here is ignored.

GPIO Device Used for Connecting PL Master JTAG Signals

In hardware design MASTER JTAG can be connected to any one of the available GPIO devices, based on the design the following parameter should be provided with corresponding device ID of selected GPIO device.

Master JTAG Signal	Description
XSK_BBRAM_AXI_GPIO_DEVICE_ID	Default = XPAR_AXI_GPIO_0_DEVICE_ID This is for providing exact GPIO device ID, based on the design configuration this parameter can be modified to provide GPIO device ID which is used for connecting master jtag pins.

GPIO Pins Used for PL Master JTAG Signals

In Ultrascale the following GPIO pins are used for connecting MASTER_JTAG pins to access BBRAM. These can be changed depending on your hardware. The table below shows the GPIO pins used for PL MASTER JTAG signals.

Master JTAG Signal	Default PIN Number
XSK_BBRAM_AXI_GPIO_JTAG_TDO	0
XSK_BBRAM_AXI_GPIO_JTAG_TDI	0
XSK_BBRAM_AXI_GPIO_JTAG_TMS	1
XSK_BBRAM_AXI_GPIO_JTAG_TCK	2

GPIO Channels

The following table shows GPIO channel number.

Parameter	Default Channel Number	Master JTAG Signal Connected
XSK_BBRAM_GPIO_INPUT_CH	2	TDO
XSK_BBRAM_GPIO_OUTPUT_CH	1	TDI, TMS, TCK

Note: All inputs and outputs of GPIO should be configured in single channel. For example, XSK_BBRAM_GPIO_INPUT_CH = XSK_BBRAM_GPIO_OUTPUT_CH = 1 or 2. Among (TDI, TCK, TMS) Outputs of GPIO cannot be connected to different GPIO channels all the 3 signals should be in same channel. TDO can be a other channel of (TDI, TCK, TMS) or the same. DPA protection can be enabled only when programming non-obfuscated key.

UltraScale or UltraScale+ User-Configurable PL eFUSE Parameters

The table below lists the user-configurable PL eFUSE parameters for UltraScale devices.

Macro Name	Description
XSK_EFUSEPL_DISABLE_AES_KEY_READ	Default = FALSE TRUE will permanently disable the write to FUSE_AES and check CRC for AES key by programming control bit of FUSE. FALSE will not modify this control bit of eFuse.

Macro Name	Description
XSK_EFUSEPL_DISABLE_USER_KEY_READ	Default = FALSE TRUE will permanently disable the write to 32 bit FUSE_USER and read of FUSE_USER key by programming control bit of FUSE. FALSE will not modify this control bit of eFuse.
XSK_EFUSEPL_DISABLE_SECURE_READ	Default = FALSE TRUE will permanently disable the write to FUSE_Secure block and reading of secure block by programming control bit of FUSE. FALSE will not modify this control bit of eFuse.
XSK_EFUSEPL_DISABLE_FUSE_CNTRL_WRITE	Default = FALSE. TRUE will permanently disable the write to FUSE_CNTRL block by programming control bit of FUSE. FALSE will not modify this control bit of eFuse.
XSK_EFUSEPL_DISABLE_RSA_KEY_READ	Default = FALSE. TRUE will permanently disable the write to FUSE_RSA block and reading of FUSE_RSA Hash by programming control bit of FUSE. FALSE will not modify this control bit of eFuse.
XSK_EFUSEPL_DISABLE_KEY_WRITE	Default = FALSE. TRUE will permanently disable the write to FUSE_AES block by programming control bit of FUSE. FALSE will not modify this control bit of eFuse.
XSK_EFUSEPL_DISABLE_USER_KEY_WRITE	Default = FALSE. TRUE will permanently disable the write to FUSE_USER block by programming control bit of FUSE. FALSE will not modify this control bit of eFuse.
XSK_EFUSEPL_DISABLE_SECURE_WRITE	Default = FALSE. TRUE will permanently disable the write to FUSE_SECURE block by programming control bit of FUSE. FALSE will not modify this control bit of eFuse.
XSK_EFUSEPL_DISABLE_RSA_HASH_WRITE	Default = FALSE. TRUE will permanently disable the write to FUSE_RSA authentication key by programming control bit of FUSE. FALSE will not modify this control bit of eFuse.
XSK_EFUSEPL_DISABLE_128BIT_USER_KEY_WRITE	Default = FALSE. TRUE will permanently disable the write to 128 bit FUSE_USER by programming control bit of FUSE. FALSE will not modify this control bit of eFuse.
XSK_EFUSEPL_ALLOW_ENCRYPTED_ONLY	Default = FALSE. TRUE will permanently allow encrypted bitstream only. FALSE will not modify this Secure bit of eFuse.
XSK_EFUSEPL_FORCE_USE_FUSE_AES_ONLY	Default = FALSE. TRUE then allows only FUSE's AES key as source of encryption FALSE then allows FPGA to configure an unencrypted bitstream or bitstream encrypted using key stored BBRAM or eFuse.
XSK_EFUSEPL_ENABLE_RSA_AUTH	Default = FALSE. TRUE will enable RSA authentication of bitstream FALSE will not modify this secure bit of eFuse.

Macro Name	Description
XSK_EFUSEPL_DISABLE_JTAG_CHAIN	Default = FALSE. TRUE will disable JTAG permanently. FALSE will not modify this secure bit of eFuse.
XSK_EFUSEPL_DISABLE_TEST_ACCESS	Default = FALSE. TRUE will disables Xilinx test access. FALSE will not modify this secure bit of eFuse.
XSK_EFUSEPL_DISABLE_AES_DECRYPTOR	Default = FALSE. TRUE will disables decoder completely. FALSE will not modify this secure bit of eFuse.
XSK_EFUSEPL_ENABLE_OBFUSCATION_EFUSEAES	Default = FALSE. TRUE will enable obfuscation feature for eFUSE AES key.

GPIO Device Used for Connecting PL Master JTAG Signals

In hardware design MASTER JTAG can be connected to any one of the available GPIO devices, based on the design the following parameter should be provided with corresponding device ID of selected GPIO device.

Master JTAG Signal	Description
XSK_EFUSEPL_AXI_GPIO_DEVICE_ID	Default = XPAR_AXI_GPIO_0_DEVICE_ID This is for providing exact GPIO device ID, based on the design configuration this parameter can be modified to provide GPIO device ID which is used for connecting master jtag pins.

GPIO Pins Used for PL Master JTAG and HWM Signals

In Ultrascale the following GPIO pins are used for connecting MASTER_JTAG pins to access eFUSE. These can be changed depending on your hardware. The table below shows the GPIO pins used for PL MASTER JTAG signals.

Master JTAG Signal	Default PIN Number
XSK_EFUSEPL_AXI_GPIO_JTAG_TDO	0
XSK_EFUSEPL_AXI_GPIO_HWM_READY	0
XSK_EFUSEPL_AXI_GPIO_HWM_END	1
XSK_EFUSEPL_AXI_GPIO_JTAG_TDI	2
XSK_EFUSEPL_AXI_GPIO_JTAG_TMS	1
XSK_EFUSEPL_AXI_GPIO_JTAG_TCK	2
XSK_EFUSEPL_AXI_GPIO_HWM_START	3

GPIO Channels

The following table shows GPIO channel number.

Parameter	Default Channel Number	Master JTAG Signal Connected
XSK_EFUSEPL_GPIO_INPUT_CH	2	TDO
XSK_EFUSEPL_GPIO_OUTPUT_CH	1	TDI, TMS, TCK

Note: All inputs and outputs of GPIO should be configured in single channel. For example, XSK_EFUSEPL_GPIO_INPUT_CH = XSK_EFUSEPL_GPIO_OUTPUT_CH = 1 or 2. Among (TDI, TCK, TMS) Outputs of GPIO cannot be connected to different GPIO channels all the 3 signals should be in same channel. TDO can be a other channel of (TDI, TCK, TMS) or the same.

SLR Selection to Program eFUSE on MONO/SSIT Devices

The following table shows parameters for programming different SLRs.

Parameter Name	Description
XSK_EFUSEPL_PGM_SLR_CONFIG_ORDER_0	Default = FALSE TRUE will enable programming SLR config order 0's eFUSE. FALSE will disable programming.
XSK_EFUSEPL_PGM_SLR_CONFIG_ORDER_1	Default = FALSE TRUE will enable programming SLR config order 1's eFUSE. FALSE will disable programming.
XSK_EFUSEPL_PGM_SLR_CONFIG_ORDER_2	Default = FALSE TRUE will enable programming SLR config order 2's eFUSE. FALSE will disable programming.
XSK_EFUSEPL_PGM_SLR_CONFIG_ORDER_3	Default = FALSE TRUE will enable programming SLR config order 3's eFUSE. FALSE will disable programming.

eFUSE PL Read Parameters

The following table shows parameters related to read USER 32/128bit keys and RSA hash.

By enabling any of the below parameters, by default will read corresponding hash/key associated with all the available SLRs. For example, if XSK_EFUSEPL_READ_USER_KEY is TRUE, USER key for all the available SLRs will be read.

Note: For only reading keys it is not required to enable XSK_EFUSEPL_PGM_SLR1, XSK_EFUSEPL_PGM_SLR2, XSK_EFUSEPL_PGM_SLR3, XSK_EFUSEPL_PGM_SLR4 macros, they can be in FALSE state.

Parameter Name	Description
XSK_EFUSEPL_READ_USER_KEY	Default = FALSE TRUE will read 32 bit FUSE_USER from eFUSE of all available SLRs and each time updates in XilSkey_EPI instance parameter UserKeyReadback, which will be displayed on UART by example before reading next SLR. FALSE 32-bit FUSE_USER key read will not be performed.

Parameter Name	Description
XSK_EFUSEPL_READ_RSA_KEY_HASH	Default = FALSE TRUE will read FUSE_USER from eFUSE of all available SLRs and each time updates in XilSKey_EPI instance parameter RSAHashReadback, which will be displayed on UART by example before reading next SLR. FALSE FUSE_RSA_HASH read will not be performed.
XSK_EFUSEPL_READ_USER_KEY128_BIT	Default = FALSE TRUE will read 128 bit USER key eFUSE of all available SLRs and each time updates in XilSKey_EPI instance parameter User128BitReadBack, which will be displayed on UART by example before reading next SLR. FALSE 128 bit USER key read will not be performed.

AES Keys and Related Parameters

Note: For programming AES key for MONO/SSIT device, the corresponding SLR should be selected and AES key programming should be enabled.

USER Keys (32-bit) and Related Parameters

Note: For programming USER key for MONO/SSIT device, the corresponding SLR should be selected and USER key programming should be enabled.

RSA Hash and Related Parameters

Note: For programming RSA hash for MONO/SSIT device, the corresponding SLR should be selected and RSA hash programming should be enabled.

USER Keys (128-bit) and Related Parameters

Note: For programming USER key 128 bit for MONO/SSIT device, the corresponding SLR and programming for USER key 128 bit should be enabled.

AES key CRC verification

You cannot read the AES key. You can verify only by providing the CRC of the expected AES key. The following lists the parameters that may help you in verifying the AES key:

Parameter Name	Description
XSK_EFUSEPL_CHECK_AES_KEY_CRC	Default = FALSE TRUE will perform CRC check of FUSE_AES with provided CRC value in macro XSK_EFUSEPL_CRC_OF_EXPECTED_AES_KEY. And result of CRC check will be updated in XilSKey_EPI instance parameter AESKeyMatched with either TRUE or FALSE. FALSE CRC check of FUSE_AES will not be performed.

Parameter Name	Description
XSK_EFUSEPL_CRC_OF_EXPECTED_AES_KEY_CONFIG_ORDER_0	Default = XSK_EFUSEPL_AES_CRC_OF_ALL_ZEROS CRC value of FUSE_AES with all Zeros. Expected FUSE_AES key's CRC value of SLR config order 0 has to be updated in place of XSK_EFUSEPL_AES_CRC_OF_ALL_ZEROS. ZEROS. For Checking CRC of FUSE_AES XSK_EFUSEPL_CHECK_AES_KEY_ULTRA macro should be TRUE otherwise CRC check will not be performed. For calculation of AES key's CRC one can use u32 XilSkey_CrcCalculation(u8_Key) API. For UltraScale, the value of XSK_EFUSEPL_AES_CRC_OF_ALL_ZEROS is 0x621C42AA(XSK_EFUSEPL_CRC_FOR_AES_ZEROS). For UltraScale+, the value of XSK_EFUSEPL_AES_CRC_OF_ALL_ZEROS is 0x3117503A(XSK_EFUSEPL_CRC_FOR_AES_ZEROS_ULTRA_PLUS)
XSK_EFUSEPL_CRC_OF_EXPECTED_AES_KEY_CONFIG_ORDER_1	Default = XSK_EFUSEPL_AES_CRC_OF_ALL_ZEROS CRC value of FUSE_AES with all Zeros. Expected FUSE_AES key's CRC value of SLR config order 1 has to be updated in place of XSK_EFUSEPL_AES_CRC_OF_ALL_ZEROS. ZEROS. For Checking CRC of FUSE_AES XSK_EFUSEPL_CHECK_AES_KEY_ULTRA macro should be TRUE otherwise CRC check will not be performed. For calculation of AES key's CRC one can use u32 XilSkey_CrcCalculation(u8_Key) API. For UltraScale, the value of XSK_EFUSEPL_AES_CRC_OF_ALL_ZEROS is 0x621C42AA(XSK_EFUSEPL_CRC_FOR_AES_ZEROS). For UltraScale+, the value of XSK_EFUSEPL_AES_CRC_OF_ALL_ZEROS is 0x3117503A(XSK_EFUSEPL_CRC_FOR_AES_ZEROS_ULTRA_PLUS)
XSK_EFUSEPL_CRC_OF_EXPECTED_AES_KEY_CONFIG_ORDER_2	Default = XSK_EFUSEPL_AES_CRC_OF_ALL_ZEROS CRC value of FUSE_AES with all Zeros. Expected FUSE_AES key's CRC value of SLR config order 2 has to be updated in place of XSK_EFUSEPL_AES_CRC_OF_ALL_ZEROS. ZEROS. For Checking CRC of FUSE_AES XSK_EFUSEPL_CHECK_AES_KEY_ULTRA macro should be TRUE otherwise CRC check will not be performed. For calculation of AES key's CRC one can use u32 XilSkey_CrcCalculation(u8_Key) API. For UltraScale, the value of XSK_EFUSEPL_AES_CRC_OF_ALL_ZEROS is 0x621C42AA(XSK_EFUSEPL_CRC_FOR_AES_ZEROS). For UltraScale+, the value of XSK_EFUSEPL_AES_CRC_OF_ALL_ZEROS is 0x3117503A(XSK_EFUSEPL_CRC_FOR_AES_ZEROS_ULTRA_PLUS)

Parameter Name	Description
XSK_EFUSEPL_CRC_OF_EXPECTED_AES_KEY_CONFIG_ORDER_3	Default = XSK_EFUSEPL_AES_CRC_OF_ALL_ZEROS CRC value of FUSE_AES with all Zeros. Expected FUSE_AES key's CRC value of SLR config order 3 has to be updated in place of XSK_EFUSEPL_AES_CRC_OF_ALL_ZEROS. For Checking CRC of FUSE_AES XSK_EFUSEPL_CHECK_AES_KEY_ULTRA macro should be TRUE otherwise CRC check will not be performed. For calculation of AES key's CRC one can use u32 XilSkey_CrcCalculation(u8_Key) API. For UltraScale, the value of XSK_EFUSEPL_AES_CRC_OF_ALL_ZEROS is 0x621C42AA(XSK_EFUSEPL_CRC_FOR_AES_ZEROS). For UltraScale+, the value of XSK_EFUSEPL_AES_CRC_OF_ALL_ZEROS is 0x3117503A(XSK_EFUSEPL_CRC_FOR_AES_ZEROS_ULTRA_PLUS)

Zynq UltraScale+ MPSoC User-Configurable PS eFUSE Parameters

The table below lists the user-configurable PS eFUSE parameters for Zynq UltraScale+ MPSoC devices.

Macro Name	Description
XSK_EFUSEPS_AES_RD_LOCK	Default = FALSE TRUE will permanently disable the CRC check of FUSE_AES. FALSE will not modify this control bit of eFuse.
XSK_EFUSEPS_AES_WR_LOCK	Default = FALSE TRUE will permanently disable the writing to FUSE_AES block. FALSE will not modify this control bit of eFuse.
XSK_EFUSEPS_ENC_ONLY	Default = FALSE TRUE will permanently enable encrypted booting only using the Fuse key. FALSE will not modify this control bit of eFuse.
XSK_EFUSEPS_BBRAM_DISABLE	Default = FALSE TRUE will permanently disable the BBRAM key. FALSE will not modify this control bit of eFuse.
XSK_EFUSEPS_ERR_DISABLE	Default = FALSE TRUE will permanently disables the error messages in JTAG status register. FALSE will not modify this control bit of eFuse.
XSK_EFUSEPS_JTAG_DISABLE	Default = FALSE TRUE will permanently disable JTAG controller. FALSE will not modify this control bit of eFuse.
XSK_EFUSEPS_DFT_DISABLE	Default = FALSE TRUE will permanently disable DFT boot mode. FALSE will not modify this control bit of eFuse.

Macro Name	Description
XSK_EFUSEPS_PROG_GATE_DISABLE	Default = FALSE TRUE will permanently disable PROG_GATE feature in PPD. FALSE will not modify this control bit of eFuse.
XSK_EFUSEPS_SECURE_LOCK	Default = FALSE TRUE will permanently disable reboot into JTAG mode when doing a secure lockdown. FALSE will not modify this control bit of eFuse.
XSK_EFUSEPS_RSA_ENABLE	Default = FALSE TRUE will permanently enable RSA authentication during boot. FALSE will not modify this control bit of eFuse.
XSK_EFUSEPS_PPK0_WR_LOCK	Default = FALSE TRUE will permanently disable writing to PPK0 efuses. FALSE will not modify this control bit of eFuse.
XSK_EFUSEPS_PPK0_INVLD	Default = FALSE TRUE will permanently revoke PPK0. FALSE will not modify this control bit of eFuse.
XSK_EFUSEPS_PPK1_WR_LOCK	Default = FALSE TRUE will permanently disable writing PPK1 efuses. FALSE will not modify this control bit of eFuse.
XSK_EFUSEPS_PPK1_INVLD	Default = FALSE TRUE will permanently revoke PPK1. FALSE will not modify this control bit of eFuse.
XSK_EFUSEPS_USER_WRLK_0	Default = FALSE TRUE will permanently disable writing to USER_0 efuses. FALSE will not modify this control bit of eFuse.
XSK_EFUSEPS_USER_WRLK_1	Default = FALSE TRUE will permanently disable writing to USER_1 efuses. FALSE will not modify this control bit of eFuse.
XSK_EFUSEPS_USER_WRLK_2	Default = FALSE TRUE will permanently disable writing to USER_2 efuses. FALSE will not modify this control bit of eFuse.
XSK_EFUSEPS_USER_WRLK_3	Default = FALSE TRUE will permanently disable writing to USER_3 efuses. FALSE will not modify this control bit of eFuse.
XSK_EFUSEPS_USER_WRLK_4	Default = FALSE TRUE will permanently disable writing to USER_4 efuses. FALSE will not modify this control bit of eFuse.
XSK_EFUSEPS_USER_WRLK_5	Default = FALSE TRUE will permanently disable writing to USER_5 efuses. FALSE will not modify this control bit of eFuse.
XSK_EFUSEPS_USER_WRLK_6	Default = FALSE TRUE will permanently disable writing to USER_6 efuses. FALSE will not modify this control bit of eFuse.
XSK_EFUSEPS_USER_WRLK_7	Default = FALSE TRUE will permanently disable writing to USER_7 efuses. FALSE will not modify this control bit of eFuse.
XSK_EFUSEPS_LBIST_EN	Default = FALSE TRUE will permanently enables logic BIST to be run during boot. FALSE will not modify this control bit of eFUSE.

User Keys and Related Parameters

Single bit programming is allowed for all the user eFUSES. When you request to revert already programmed bit, the library will return an error. Also, if the user eFUSES is non-zero, the library will not throw an error for valid requests. The following table shows the user keys and related parameters.

Parameter Name	Description
XSK_EFUSEPS_WRITE_USER0_FUSE	Default = FALSE TRUE will burn User0 Fuse provided in XSK_EFUSEPS_USER0_FUSES. FALSE will ignore the value provided in XSK_EFUSEPS_USER0_FUSES
XSK_EFUSEPS_WRITE_USER1_FUSE	Default = FALSE TRUE will burn User1 Fuse provided in XSK_EFUSEPS_USER1_FUSES. FALSE will ignore the value provided in XSK_EFUSEPS_USER1_FUSES
XSK_EFUSEPS_WRITE_USER2_FUSE	Default = FALSE TRUE will burn User2 Fuse provided in XSK_EFUSEPS_USER2_FUSES. FALSE will ignore the value provided in XSK_EFUSEPS_USER2_FUSES
XSK_EFUSEPS_WRITE_USER3_FUSE	Default = FALSE TRUE will burn User3 Fuse provided in XSK_EFUSEPS_USER3_FUSES. FALSE will ignore the value provided in XSK_EFUSEPS_USER3_FUSES
XSK_EFUSEPS_WRITE_USER4_FUSE	Default = FALSE TRUE will burn User4 Fuse provided in XSK_EFUSEPS_USER4_FUSES. FALSE will ignore the value provided in XSK_EFUSEPS_USER4_FUSES
XSK_EFUSEPS_WRITE_USER5_FUSE	Default = FALSE TRUE will burn User5 Fuse provided in XSK_EFUSEPS_USER5_FUSES. FALSE will ignore the value provided in XSK_EFUSEPS_USER5_FUSES
XSK_EFUSEPS_WRITE_USER6_FUSE	Default = FALSE TRUE will burn User6 Fuse provided in XSK_EFUSEPS_USER6_FUSES. FALSE will ignore the value provided in XSK_EFUSEPS_USER6_FUSES
XSK_EFUSEPS_WRITE_USER7_FUSE	Default = FALSE TRUE will burn User7 Fuse provided in XSK_EFUSEPS_USER7_FUSES. FALSE will ignore the value provided in XSK_EFUSEPS_USER7_FUSES
XSK_EFUSEPS_USER0_FUSES	Default = 00000000 The value mentioned in this will be converted to hex buffer and written into the Zynq UltraScale+ MPSoC PS eFUSE array when write API used. This value should be given in string format. It should be 8 characters long, valid characters are 0-9,a-f,A-F. Any other character is considered as invalid string and will not burn SPK ID. Note: For writing the User0 Fuse, XSK_EFUSEPS_WRITE_USER0_FUSE should have TRUE value

Parameter Name	Description
XSK_EFUSEPS_USER1_FUSES	Default = 00000000 The value mentioned in this will be converted to hex buffer and written into the Zynq UltraScale+ MPSoC PS eFUSE array when write API used. This value should be given in string format. It should be 8 characters long, valid characters are 0-9,a-f,A-F. Any other character is considered as invalid string and will not burn SPK ID. Note: For writing the User1 Fuse, XSK_EFUSEPS_WRITE_USER1_FUSE should have TRUE value
XSK_EFUSEPS_USER2_FUSES	Default = 00000000 The value mentioned in this will be converted to hex buffer and written into the Zynq UltraScale+ MPSoC PS eFUSE array when write API used. This value should be given in string format. It should be 8 characters long, valid characters are 0-9,a-f,A-F. Any other character is considered as invalid string and will not burn SPK ID. Note: For writing the User2 Fuse, XSK_EFUSEPS_WRITE_USER2_FUSE should have TRUE value
XSK_EFUSEPS_USER3_FUSES	Default = 00000000 The value mentioned in this will be converted to hex buffer and written into the Zynq UltraScale+ MPSoC PS eFUSE array when write API used. This value should be given in string format. It should be 8 characters long, valid characters are 0-9,a-f,A-F. Any other character is considered as invalid string and will not burn SPK ID. Note: For writing the User3 Fuse, XSK_EFUSEPS_WRITE_USER3_FUSE should have TRUE value
XSK_EFUSEPS_USER4_FUSES	Default = 00000000 The value mentioned in this will be converted to hex buffer and written into the Zynq UltraScale+ MPSoC PS eFUSE array when write API used. This value should be given in string format. It should be 8 characters long, valid characters are 0-9,a-f,A-F. Any other character is considered as invalid string and will not burn SPK ID. Note: For writing the User4 Fuse, XSK_EFUSEPS_WRITE_USER4_FUSE should have TRUE value
XSK_EFUSEPS_USER5_FUSES	Default = 00000000 The value mentioned in this will be converted to hex buffer and written into the Zynq UltraScale+ MPSoC PS eFUSE array when write API used. This value should be given in string format. It should be 8 characters long, valid characters are 0-9,a-f,A-F. Any other character is considered as invalid string and will not burn SPK ID. Note: For writing the User5 Fuse, XSK_EFUSEPS_WRITE_USER5_FUSE should have TRUE value

PPK1 Keys and Related Parameters

The following table shows the PPK1 keys and related parameters.

Parameter Name	Description
XSK_EFUSEPS_WRITE_PPK1_SHA3_HASH	Default = FALSE TRUE will burn PPK1 sha3 hash provided in XSK_EFUSEPS_PPK1_SHA3_HASH. FALSE will ignore the hash provided in XSK_EFUSEPS_PPK1_SHA3_HASH.
XSK_EFUSEPS_PPK1_IS_SHA3	Default = TRUE TRUE XSK_EFUSEPS_PPK1_SHA3_HASH should be of string length 96 it specifies that PPK1 is used to program SHA3 hash. FALSE XSK_EFUSEPS_PPK1_SHA3_HASH should be of string length 64 it specifies that PPK1 is used to program SHA2 hash.
XSK_EFUSEPS_PPK1_HASH	Default = 00 00000000000000 The value mentioned in this will be converted to hex buffer and written into the Zynq UltraScale + MPSoC PS eFUSE array when write API used. This value should be given in string format. It should be 64 or 96 characters long, valid characters are 0-9,a-f,A-F. Any other character is considered as invalid string and will not burn PPK1 hash. Note that,for writing the PPK1 hash, XSK_EFUSEPS_WRITE_PPK1_SHA3_HASH should have TRUE value. By default, PPK1 hash will be provided with 64 character length to program PPK1 hash with sha2 hash so XSK_EFUSEPS_PPK1_IS_SHA3 also will be in FALSE state. But to program PPK1 hash with SHA3 hash make XSK_EFUSEPS_PPK1_IS_SHA3 to TRUE and provide sha3 hash of length 96 characters XSK_EFUSEPS_PPK1_HASH so that one can program sha3 hash.

SPK ID and Related Parameters

The following table shows the SPK ID and related parameters.

Parameter Name	Description
XSK_EFUSEPS_WRITE_SPKID	Default = FALSE TRUE will burn SPKID provided in XSK_EFUSEPS_SPK_ID. FALSE will ignore the hash provided in XSK_EFUSEPS_SPK_ID.
XSK_EFUSEPS_SPK_ID	Default = 00000000 The value mentioned in this will be converted to hex buffer and written into the Zynq UltraScale+ MPSoC PS eFUSE array when write API used. This value should be given in string format. It should be 8 characters long, valid characters are 0-9,a-f,A-F. Any other character is considered as invalid string and will not burn SPK ID. Note: For writing the SPK ID, XSK_EFUSEPS_WRITE_SPKID should have TRUE value.

Note: PPK hash should be unmodified hash generated by bootgen. Single bit programming is allowed for User FUSEs (0 to 7), if you specify a value that tries to set a bit that was previously programmed to 1 back to 0, you will get an error. you have to provide already programmed bits also along with new requests.

Zynq UltraScale+ MPSoC User-Configurable PS BBRAM Parameters

The table below lists the AES and user key parameters.

Parameter Name	Description
XSK_ZYNQMP_BBRAMPS_AES_KEY	Default = 00 00000000000000 AES key (in HEX) that must be programmed into BBRAM.
XSK_ZYNQMP_BBRAMPS_AES_KEY_LEN_IN_BYTES	Default = 32. Length of AES key in bytes.
XSK_ZYNQMP_BBRAMPS_AES_KEY_LEN_IN_BITS	Default = 256. Length of AES key in bits.
XSK_ZYNQMP_BBRAMPS_AES_KEY_STR_LEN	Default = 64. String length of the AES key.

Zynq UltraScale+ MPSoC User-Configurable PS PUF Parameters

The table below lists the user-configurable PS PUF parameters for Zynq UltraScale+ MPSoC devices.

Macro Name	Description
XSK_PUF_INFO_ON_UART	Default = FALSE TRUE will display syndrome data on UART com port FALSE will display any data on UART com port.
XSK_PUF_PROGRAM_EFUSE	Default = FALSE TRUE will program the generated syndrome data, CHash and Auxilary values, Black key. FALSE will not program data into eFUSE.
XSK_PUF_IF_CONTRACT_MANUFACTURER	Default = FALSE This should be enabled when application is hand over to contract manufacturer. TRUE will allow only authenticated application. FALSE authentication is not mandatory.
XSK_PUF_REG_MODE	Default = XSK_PUF_MODE4K PUF registration is performed in 4K mode. For only understanding it is provided in this file, but user is not supposed to modify this.
XSK_PUF_READ_SECUREBITS	Default = FALSE TRUE will read status of the puf secure bits from eFUSE and will be displayed on UART. FALSE will not read secure bits.

Macro Name	Description
XSK_PUF_PROGRAM_SECUREBITS	Default = FALSE TRUE will program PUF secure bits based on the user input provided at XSK_PUF_SYN_INVALID, XSK_PUF_SYN_WRLK and XSK_PUF_REGISTER_DISABLE. FALSE will not program any PUF secure bits.
XSK_PUF_SYN_INVALID	Default = FALSE TRUE will permanently invalidate the already programmed syndrome data. FALSE will not modify anything
XSK_PUF_SYN_WRLK	Default = FALSE TRUE will permanently disable programming syndrome data into eFUSE. FALSE will not modify anything.
XSK_PUF_REGISTER_DISABLE	Default = FALSE TRUE permanently does not allow PUF syndrome data registration. FALSE will not modify anything.
XSK_PUF_RESERVED	Default = FALSE TRUE programs this reserved eFUSE bit. FALSE will not modify anything.
XSK_PUF_AES_KEY	Default = 00 0000000000000000 The value mentioned in this will be converted to hex buffer and encrypts this with PUF helper data and generates a black key and written into the Zynq UltraScale+ MPSoC PS eFUSE array when XSK_PUF_PROGRAM_EFUSE macro is TRUE. This value should be given in string format. It should be 64 characters long, valid characters are 0-9,a-f,A-F. Any other character is considered as invalid string and will not burn AES Key. Note Provided here should be red key and application calculates the black key and programs into eFUSE if XSK_PUF_PROGRAM_EFUSE macro is TRUE. To avoid programming eFUSE results can be displayed on UART com port by making XSK_PUF_INFO_ON_UART to TRUE.
XSK_PUF_BLACK_KEY_IV	Default = 00000000000000000000000000000000 The value mentioned here will be converted to hex buffer. This is Initialization vector(IV) which is used to generated black key with provided AES key and generated PUF key. This value should be given in string format. It should be 24 characters long, valid characters are 0-9,a-f,A-F. Any other character is considered as invalid string.

Error Codes

The application error code is 32 bits long. For example, if the error code for PS is 0x8A05:

- 0x8A indicates that a write error has occurred while writing RSA Authentication bit.
- 0x05 indicates that write error is due to the write temperature out of range.

Applications have the following options on how to show error status. Both of these methods of conveying the status are implemented by default. However, UART is required to be present and initialized for status to be displayed through UART.

- Send the error code through UART pins
- Write the error code in the reboot status register

PL eFUSE Error Codes

Enumerations

Enumeration XSKEfusePI_ErrorCodes

Table 257: Enumeration XSKEfusePI_ErrorCodes Values

Value	Description
XSK_EFUSEPL_ERROR_NONE	0 No error.
XSK_EFUSEPL_ERROR_ROW_NOT_ZERO	0x10 Row is not zero.
XSK_EFUSEPL_ERROR_READ_ROW_OUT_OF_RANGE	0x11 Read Row is out of range.
XSK_EFUSEPL_ERROR_READ_MARGIN_OUT_OF_RANGE	0x12 Read Margin is out of range.
XSK_EFUSEPL_ERROR_READ_BUFFER_NULL	0x13 No buffer for read.
XSK_EFUSEPL_ERROR_READ_BIT_VALUE_NOT_SET	0x14 Read bit not set.
XSK_EFUSEPL_ERROR_READ_BIT_OUT_OF_RANGE	0x15 Read bit is out of range.
XSK_EFUSEPL_ERROR_READ_TEMPERATURE_OUT_OF_RANGE	0x16 Temperature obtained from XADC is out of range to read.
XSK_EFUSEPL_ERROR_READ_VCCAUX_VOLTAGE_OUT_OF_RANGE	0x17 VCCAUX obtained from XADC is out of range to read.
XSK_EFUSEPL_ERROR_READ_VCCINT_VOLTAGE_OUT_OF_RANGE	0x18 VCCINT obtained from XADC is out of range to read.
XSK_EFUSEPL_ERROR_WRITE_ROW_OUT_OF_RANGE	0x19 To write row is out of range.
XSK_EFUSEPL_ERROR_WRITE_BIT_OUT_OF_RANGE	0x1A To read bit is out of range.
XSK_EFUSEPL_ERROR_WRITE_TEMPERATURE_OUT_OF_RANGE	0x1B To eFUSE write Temperature obtained from XADC is outof range.
XSK_EFUSEPL_ERROR_WRITE_VCCAUX_VOLTAGE_OUT_OF_RANGE	0x1C To write eFUSE VCCAUX obtained from XADC is out of range.
XSK_EFUSEPL_ERROR_WRITE_VCCINT_VOLTAGE_OUT_OF_RANGE	0x1D To write into eFUSE VCCINT obtained from XADC is out of range.

Table 257: Enumeration XSKefusePl_ErrorCodes Values (cont'd)

Value	Description
XSK_EFUSEPL_ERROR_FUSE_CNTRL_WRITE_DISABLED	0x1E Fuse control write is disabled.
XSK_EFUSEPL_ERROR_CNTRL_WRITE_BUFFER_NULL	0x1F Buffer pointer that is supposed to contain control data is null.
XSK_EFUSEPL_ERROR_NOT_VALID_KEY_LENGTH	0x20 Key length invalid.
XSK_EFUSEPL_ERROR_ZERO_KEY_LENGTH	0x21 Key length zero.
XSK_EFUSEPL_ERROR_NOT_VALID_KEY_CHAR	0x22 Invalid key characters.
XSK_EFUSEPL_ERROR_NULL_KEY	0x23 Null key.
XSK_EFUSEPL_ERROR_FUSE_SEC_WRITE_DISABLED	0x24 Secure bits write is disabled.
XSK_EFUSEPL_ERROR_FUSE_SEC_READ_DISABLED	0x25 Secure bits reading is disabled.
XSK_EFUSEPL_ERROR_SEC_WRITE_BUFFER_NULL	0x26 Buffer to write into secure block is NULL.
XSK_EFUSEPL_ERROR_READ_PAGE_OUT_OF_RANGE	0x27 Page is out of range.
XSK_EFUSEPL_ERROR_FUSE_ROW_RANGE	0x28 Row is out of range.
XSK_EFUSEPL_ERROR_IN_PROGRAMMING_ROW	0x29 Error programming fuse row.
XSK_EFUSEPL_ERROR_PRGRMG_ROWS_NOT_EMPTY	0x2A Error when tried to program non Zero rows of eFUSE.
XSK_EFUSEPL_ERROR_HWM_TIMEOUT	0x80 Error when hardware module is exceeded the time for programming eFUSE.
XSK_EFUSEPL_ERROR_USER_FUSE_REVERT	0x90 Error occurs when user requests to revert already programmed user eFUSE bit.
XSK_EFUSEPL_ERROR_KEY_VALIDATION	0xF000 Invalid key.
XSK_EFUSEPL_ERROR_PL_STRUCT_NULL	0x1000 Null PL structure.
XSK_EFUSEPL_ERROR_JTAG_SERVER_INIT	0x1100 JTAG server initialization error.
XSK_EFUSEPL_ERROR_READING_FUSE_CNTRL	0x1200 Error reading fuse control.
XSK_EFUSEPL_ERROR_DATA_PROGRAMMING_NOT_ALLOWED	0x1300 Data programming not allowed.
XSK_EFUSEPL_ERROR_FUSE_CTRL_WRITE_NOT_ALLOWED	0x1400 Fuse control write is disabled.
XSK_EFUSEPL_ERROR_READING_FUSE_AES_ROW	0x1500 Error reading fuse AES row.
XSK_EFUSEPL_ERROR_AES_ROW_NOT_EMPTY	0x1600 AES row is not empty.
XSK_EFUSEPL_ERROR_PROGRAMMING_FUSE_AES_ROW	0x1700 Error programming fuse AES row.
XSK_EFUSEPL_ERROR_READING_FUSE_USER_DATA_ROW	0x1800 Error reading fuse user row.
XSK_EFUSEPL_ERROR_USER_DATA_ROW_NOT_EMPTY	0x1900 User row is not empty.
XSK_EFUSEPL_ERROR_PROGRAMMING_FUSE_DATA_ROW	0x1A00 Error programming fuse user row.

Table 257: Enumeration XSKEfusePI_ErrorCodes Values (cont'd)

Value	Description
XSK_EFUSEPL_ERROR_PROGRAMMING_FUSE_CNTRL_ROW	0x1B00 Error programming fuse control row.
XSK_EFUSEPL_ERROR_XADC	0x1C00 XADC error.
XSK_EFUSEPL_ERROR_INVALID_REF_CLK	0x3000 Invalid reference clock.
XSK_EFUSEPL_ERROR_FUSE_SEC_WRITE_NOT_ALLOWED	0x1D00 Error in programming secure block.
XSK_EFUSEPL_ERROR_READING_FUSE_STATUS	0x1E00 Error in reading FUSE status.
XSK_EFUSEPL_ERROR_FUSE_BUSY	0x1F00 Fuse busy.
XSK_EFUSEPL_ERROR_READING_FUSE_RSA_ROW	0x2000 Error in reading FUSE RSA block.
XSK_EFUSEPL_ERROR_TIMER_INITIALISE_ULTRA	0x2200 Error in initiating Timer.
XSK_EFUSEPL_ERROR_READING_FUSE_SEC	0x2300 Error in reading FUSE secure bits.
XSK_EFUSEPL_ERROR_PRGRMG_FUSE_SEC_ROW	0x2500 Error in programming Secure bits of efuse.
XSK_EFUSEPL_ERROR_PRGRMG_USER_KEY	0x4000 Error in programming 32 bit user key.
XSK_EFUSEPL_ERROR_PRGRMG_128BIT_USER_KEY	0x5000 Error in programming 128 bit User key.
XSK_EFUSEPL_ERROR_PRGRMG_RSA_HASH	0x8000 Error in programming RSA hash.

PS eFUSE Error Codes

Enumerations

Enumeration XSKEfusePs_ErrorCodes

Table 258: Enumeration XSKEfusePs_ErrorCodes Values

Value	Description
XSK_EFUSEPS_ERROR_NONE	0 No error.
XSK_EFUSEPS_ERROR_ADDRESS_RESTRICTED	0x01 Address is restricted.
XSK_EFUSEPS_ERROR_READ_TEMPERATURE_OUT_OF_RANGE	0x02 Temperature obtained from XADC is out of range.
XSK_EFUSEPS_ERROR_READ_VCCPAUX_VOLTAGE_OUT_OF_RANGE	0x03 VCCAUX obtained from XADC is out of range.
XSK_EFUSEPS_ERROR_READ_VCCPINT_VOLTAGE_OUT_OF_RANGE	0x04 VCCINT obtained from XADC is out of range.
XSK_EFUSEPS_ERROR_WRITE_TEMPERATURE_OUT_OF_RANGE	0x05 Temperature obtained from XADC is out of range.
XSK_EFUSEPS_ERROR_WRITE_VCCPAUX_VOLTAGE_OUT_OF_RANGE	0x06 VCCAUX obtained from XADC is out of range.
XSK_EFUSEPS_ERROR_WRITE_VCCPINT_VOLTAGE_OUT_OF_RANGE	0x07 VCCINT obtained from XADC is out of range.

Table 258: Enumeration XSKefusePs_ErrorCodes Values (cont'd)

Value	Description
XSK_EFUSEPS_ERROR_VERIFICATION	0x08 Verification error.
XSK_EFUSEPS_ERROR_RSA_HASH_ALREADY_PROGRAMMED	0x09 RSA hash was already programmed.
XSK_EFUSEPS_ERROR_CONTROLLER_MODE	0x0A Controller mode error
XSK_EFUSEPS_ERROR_REF_CLOCK	0x0B Reference clock not between 20 to 60MHz
XSK_EFUSEPS_ERROR_READ_MODE	0x0C Not supported read mode
XSK_EFUSEPS_ERROR_XADC_CONFIG	0x0D XADC configuration error.
XSK_EFUSEPS_ERROR_XADC_INITIALIZE	0x0E XADC initialization error.
XSK_EFUSEPS_ERROR_XADC_SELF_TEST	0x0F XADC self-test failed.
XSK_EFUSEPS_ERROR_PARAMETER_NULL	0x10 Passed parameter null.
XSK_EFUSEPS_ERROR_STRING_INVALID	0x20 Passed string is invalid.
XSK_EFUSEPS_ERROR_AES_ALREADY_PROGRAMMED	0x12 AES key is already programmed.
XSK_EFUSEPS_ERROR_SPKID_ALREADY_PROGRAMMED	0x13 SPK ID is already programmed.
XSK_EFUSEPS_ERROR_PPK0_HASH_ALREADY_PROGRAMMED	0x14 PPK0 hash is already programmed.
XSK_EFUSEPS_ERROR_PPK1_HASH_ALREADY_PROGRAMMED	0x15 PPK1 hash is already programmed.
XSK_EFUSEPS_ERROR_IN_TBIT_PATTERN	0x16 Error in TBITS pattern .
XSK_EFUSEPS_ERROR_INVALID_PARAM	0x17 Error for invalid parameters.
XSK_EFUSEPS_ERROR_PROGRAMMING	0x00A0 Error in programming eFUSE.
XSK_EFUSEPS_ERROR_PGM_NOT_DONE	0x00A1 Program not done
XSK_EFUSEPS_ERROR_READ	0x00B0 Error in reading.
XSK_EFUSEPS_ERROR_BYTES_REQUEST	0x00C0 Error in requested byte count.
XSK_EFUSEPS_PUF_CANT_BE_USED_FOR_USER_DATA	0x00C0 Error when requested for PUF HD eFuses programming for user data, but as Chash is already programmed which means that PUF HD is already programmed with syndrome data
XSK_EFUSEPS_ERROR_RESRVD_BITS_PRGRMG	0x00D0 Error in programming reserved bits.
XSK_EFUSEPS_ERROR_ADDR_ACCESS	0x00E0 Error in accessing requested address.
XSK_EFUSEPS_ERROR_READ_NOT_DONE	0x00F0 Read not done
XSK_EFUSEPS_ERROR_PS_STRUCT_NULL	0x8100 PS structure pointer is null.
XSK_EFUSEPS_ERROR_XADC_INIT	0x8200 XADC initialization error.
XSK_EFUSEPS_ERROR_CONTROLLER_LOCK	0x8300 PS eFUSE controller is locked.
XSK_EFUSEPS_ERROR_EFUSE_WRITE_PROTECTED	0x8400 PS eFUSE is write protected.
XSK_EFUSEPS_ERROR_CONTROLLER_CONFIG	0x8500 Controller configuration error.

Table 258: Enumeration XSKefusePs_ErrorCodes Values (cont'd)

Value	Description
XSK_EFUSEPS_ERROR_PS_PARAMETER_WRONG	0x8600 PS eFUSE parameter is not TRUE/FALSE.
XSK_EFUSEPS_ERROR_WRITE_128K_CRC_BIT	0x9100 Error in enabling 128K CRC.
XSK_EFUSEPS_ERROR_WRITE_NONSECURE_INIT_B_BIT	0x9200 Error in programming NON secure bit.
XSK_EFUSEPS_ERROR_WRITE_UART_STATUS_BIT	0x9300 Error in writing UART status bit.
XSK_EFUSEPS_ERROR_WRITE_RSA_HASH	0x9400 Error in writing RSA key.
XSK_EFUSEPS_ERROR_WRITE_RSA_AUTH_BIT	0x9500 Error in enabling RSA authentication bit.
XSK_EFUSEPS_ERROR_WRITE_WRITE_PROTECT_BIT	0x9600 Error in writing write-protect bit.
XSK_EFUSEPS_ERROR_READ_HASH_BEFORE_PROGRAMMING	0x9700 Check RSA key before trying to program.
XSK_EFUSEPS_ERROR_WRTIE_DFT_JTAG_DIS_BIT	0x9800 Error in programming DFT JTAG disable bit.
XSK_EFUSEPS_ERROR_WRTIE_DFT_MODE_DIS_BIT	0x9900 Error in programming DFT MODE disable bit.
XSK_EFUSEPS_ERROR_WRTIE_AES_CRC_LK_BIT	0x9A00 Error in enabling AES's CRC check lock.
XSK_EFUSEPS_ERROR_WRTIE_AES_WR_LK_BIT	0x9B00 Error in programming AES write lock bit.
XSK_EFUSEPS_ERROR_WRTIE_USE_AESONLY_EN_BIT	0x9C00 Error in programming use AES only bit.
XSK_EFUSEPS_ERROR_WRTIE_BBRAM_DIS_BIT	0x9D00 Error in programming BBRAM disable bit.
XSK_EFUSEPS_ERROR_WRTIE_PMU_ERR_DIS_BIT	0x9E00 Error in programming PMU error disable bit.
XSK_EFUSEPS_ERROR_WRTIE_JTAG_DIS_BIT	0x9F00 Error in programming JTAG disable bit.
XSK_EFUSEPS_ERROR_READ_RSA_HASH	0xA100 Error in reading RSA key.
XSK_EFUSEPS_ERROR_WRONG_TBIT_PATTERN	0xA200 Error in programming TBIT pattern.
XSK_EFUSEPS_ERROR_WRITE_AES_KEY	0xA300 Error in programming AES key.
XSK_EFUSEPS_ERROR_WRITE_SPK_ID	0xA400 Error in programming SPK ID.
XSK_EFUSEPS_ERROR_WRITE_USER_KEY	0xA500 Error in programming USER key.
XSK_EFUSEPS_ERROR_WRITE_PPK0_HASH	0xA600 Error in programming PPK0 hash.
XSK_EFUSEPS_ERROR_WRITE_PPK1_HASH	0xA700 Error in programming PPK1 hash.
XSK_EFUSEPS_ERROR_WRITE_USER0_FUSE	0xC000 Error in programming USER 0 Fuses.
XSK_EFUSEPS_ERROR_WRITE_USER1_FUSE	0xC100 Error in programming USER 1 Fuses.
XSK_EFUSEPS_ERROR_WRITE_USER2_FUSE	0xC200 Error in programming USER 2 Fuses.
XSK_EFUSEPS_ERROR_WRITE_USER3_FUSE	0xC300 Error in programming USER 3 Fuses.
XSK_EFUSEPS_ERROR_WRITE_USER4_FUSE	0xC400 Error in programming USER 4 Fuses.
XSK_EFUSEPS_ERROR_WRITE_USER5_FUSE	0xC500 Error in programming USER 5 Fuses.
XSK_EFUSEPS_ERROR_WRITE_USER6_FUSE	0xC600 Error in programming USER 6 Fuses.
XSK_EFUSEPS_ERROR_WRITE_USER7_FUSE	0xC700 Error in programming USER 7 Fuses.

Table 258: Enumeration XSKefusePs_ErrorCodes Values (cont'd)

Value	Description
XSK_EFUSEPS_ERROR_WRTIE_USER0_LK_BIT	0xC800 Error in programming USER 0 fuses lock bit.
XSK_EFUSEPS_ERROR_WRTIE_USER1_LK_BIT	0xC900 Error in programming USER 1 fuses lock bit.
XSK_EFUSEPS_ERROR_WRTIE_USER2_LK_BIT	0xCA00 Error in programming USER 2 fuses lock bit.
XSK_EFUSEPS_ERROR_WRTIE_USER3_LK_BIT	0xCB00 Error in programming USER 3 fuses lock bit.
XSK_EFUSEPS_ERROR_WRTIE_USER4_LK_BIT	0xCC00 Error in programming USER 4 fuses lock bit.
XSK_EFUSEPS_ERROR_WRTIE_USER5_LK_BIT	0xCD00 Error in programming USER 5 fuses lock bit.
XSK_EFUSEPS_ERROR_WRTIE_USER6_LK_BIT	0xCE00 Error in programming USER 6 fuses lock bit.
XSK_EFUSEPS_ERROR_WRTIE_USER7_LK_BIT	0xCF00 Error in programming USER 7 fuses lock bit.
XSK_EFUSEPS_ERROR_WRTIE_PROG_GATE0_DIS_BIT	0xD000 Error in programming PROG_GATE0 disabling bit.
XSK_EFUSEPS_ERROR_WRTIE_PROG_GATE1_DIS_BIT	0xD100 Error in programming PROG_GATE1 disabling bit.
XSK_EFUSEPS_ERROR_WRTIE_PROG_GATE2_DIS_BIT	0xD200 Error in programming PROG_GATE2 disabling bit.
XSK_EFUSEPS_ERROR_WRTIE_SEC_LOCK_BIT	0xD300 Error in programming SEC_LOCK bit.
XSK_EFUSEPS_ERROR_WRTIE_PPK0_WR_LK_BIT	0xD400 Error in programming PPK0 write lock bit.
XSK_EFUSEPS_ERROR_WRTIE_PPK0_RVK_BIT	0xD500 Error in programming PPK0 revoke bit.
XSK_EFUSEPS_ERROR_WRTIE_PPK1_WR_LK_BIT	0xD600 Error in programming PPK1 write lock bit.
XSK_EFUSEPS_ERROR_WRTIE_PPK1_RVK_BIT	0xD700 Error in programming PPK0 revoke bit.
XSK_EFUSEPS_ERROR_WRITE_PUF_SYN_INVLD	0xD800 Error while programming the PUF syndrome invalidate bit.
XSK_EFUSEPS_ERROR_WRITE_PUF_SYN_WRLK	0xD900 Error while programming Syndrome write lock bit.
XSK_EFUSEPS_ERROR_WRITE_PUF_SYN_REG_DIS	0xDA00 Error while programming PUF syndrome register disable bit.
XSK_EFUSEPS_ERROR_WRITE_PUF_RESERVED_BIT	0xDB00 Error while programming PUF reserved bit.
XSK_EFUSEPS_ERROR_WRITE_LBIST_EN_BIT	0xDC00 Error while programming LBIST enable bit.
XSK_EFUSEPS_ERROR_WRITE_LPD_SC_EN_BIT	0xDD00 Error while programming LPD SC enable bit.
XSK_EFUSEPS_ERROR_WRITE_FPD_SC_EN_BIT	0xDE00 Error while programming FPD SC enable bit.
XSK_EFUSEPS_ERROR_WRITE_PBR_BOOT_ERR_BIT	0xDF00 Error while programming PBR boot error bit.
XSK_EFUSEPS_ERROR_PUF_INVALID_REG_MODE	0xE000 Error when PUF registration is requested with invalid registration mode.
XSK_EFUSEPS_ERROR_PUF_REG_WO_AUTH	0xE100 Error when write not allowed without authentication enabled.
XSK_EFUSEPS_ERROR_PUF_REG_DISABLED	0xE200 Error when trying to do PUF registration and when PUF registration is disabled.
XSK_EFUSEPS_ERROR_PUF_INVALID_REQUEST	0xE300 Error when an invalid mode is requested.
XSK_EFUSEPS_ERROR_PUF_DATA_ALREADY_PROGRAMMED	0xE400 Error when PUF is already programmed in eFUSE.

Table 258: Enumeration XSKefusePs_ErrorCodes Values (cont'd)

Value	Description
XSK_EFUSEPS_ERROR_PUF_DATA_OVERFLOW	0xE500 Error when an over flow occurs.
XSK_EFUSEPS_ERROR_SPKID_BIT_CANT_REVERT	0xE600 Already programmed SPKID bit cannot be reverted
XSK_EFUSEPS_ERROR_PUF_DATA_UNDERFLOW	0xE700 Error when an under flow occurs.
XSK_EFUSEPS_ERROR_PUF_TIMEOUT	0xE800 Error when an PUF generation timedout.
XSK_EFUSEPS_ERROR_PUF_ACCESS	0xE900 Error when an PUF Access violation.
XSK_EFUSEPS_ERROR_PUF_CHASH_ALREADY_PROGRAMMED	0xEA00 Error When PUF Chash already programmed in eFuse.
XSK_EFUSEPS_ERROR_PUF_AUX_ALREADY_PROGRAMMED	0xEB00 Error When PUF AUX already programmed in eFuse.
XSK_EFUSEPS_ERROR_CMPLTD_EFUSE_PRGRM_WITH_ERR	0x10000 eFUSE programming is completed with temp and vol read errors.
XSK_EFUSEPS_ERROR_CACHE_LOAD	0x20000U Error in re-loading CACHE.
XSK_EFUSEPS_RD_FROM_EFUSE_NOT_ALLOWED	0x30000U Read from eFuse is not allowed.
XSK_EFUSEPS_ERROR_FUSE_PROTECTED	0x00080000 Requested eFUSE is write protected.
XSK_EFUSEPS_ERROR_USER_BIT_CANT_REVERT	0x00800000 Already programmed user FUSE bit cannot be reverted.
XSK_EFUSEPS_ERROR_BEFORE_PROGRAMMING	0x08000000U Error occurred before programming.

Zynq UltraScale+ MPSoC BBRAM PS Error Codes

Enumerations

Enumeration XskZynqMp_Ps_Bbram_ErrorCodes

Table 259: Enumeration XskZynqMp_Ps_Bbram_ErrorCodes Values

Value	Description
XSK_ZYNQMP_BBRAMPS_ERROR_NONE	0 No error.
XSK_ZYNQMP_BBRAMPS_ERROR_IN_PRGRMG_ENABLE	0x010 If this error is occurred programming is not possible.
XSK_ZYNQMP_BBRAMPS_ERROR_IN_ZEROISE	0x20 zeroize bbram is failed.
XSK_ZYNQMP_BBRAMPS_ERROR_IN_CRC_CHECK	0xB000 If this error is occurred programming is done but CRC check is failed.
XSK_ZYNQMP_BBRAMPS_ERROR_IN_PRGRMG	0xC000 programming of key is failed.
XSK_ZYNQMP_BBRAMPS_ERROR_IN_WRITE_CRC	0xE800 error write CRC value.

Status Codes

For Zynq and UltraScale, the status in the `xilskey_efuse_example.c` file is conveyed through a UART or reboot status register in the following format: `0xYYYYZZZZ`, where:

- `YYYY` represents the PS eFUSE Status.
- `ZZZZ` represents the PL eFUSE Status.

The table below lists the status codes.

Status Code Values	Description
0x0000ZZZZ	Represents PS eFUSE is successful and PL eFUSE process returned with error.
0xYYYY0000	Represents PL eFUSE is successful and PS eFUSE process returned with error.
0xFFFF0000	Represents PS eFUSE is not initiated and PL eFUSE is successful.
0x0000FFFF	Represents PL eFUSE is not initiated and PS eFUSE is successful.
0xFFFFZZZZ	Represents PS eFUSE is not initiated and PL eFUSE is process returned with error.
0xYYYYFFFF	Represents PL eFUSE is not initiated and PS eFUSE is process returned with error.

For Zynq UltraScale+ MPSoC, the status in the `xilskey_bbramps_zynqmp_example.c`, `xilskey_puf_registration.c` and `xilskey_efuseps_zynqmp_example.c` files is conveyed as 32 bit error code. Where Zero represents that no error has occurred and if the value is other than Zero, a 32 bit error code is returned.

Procedures

This section provides detailed descriptions of the various procedures.

Zynq eFUSE Writing Procedure Running from DDR as an Application

This sequence is same as the existing flow described below.

1. Provide the required inputs in `xilskey_input.h`, then compile the platform project.
2. Take the latest FSBL (ELF), stitch the `<output>.elf` generated to it (using the `bootgen` utility), and generate a bootable image.
3. Write the generated binary image into the flash device (for example: QSPI, NAND).
4. To burn the eFUSE key bits, execute the image.

Zynq eFUSE Driver Compilation Procedure for OCM

The procedure is as follows:

1. Open the linker script (`lscript.ld`) in the platform project.
2. Map all the sections to point to `ps7_ram_0_S_AXI_BASEADDR` instead of `ps7_ddr_0_S_AXI_BASEADDR`. For example, Click the Memory Region tab for the `.text` section and select `ps7_ram_0_S_AXI_BASEADDR` from the drop-down list.
3. Copy the `ps7_init.c` and `ps7_init.h` files from the `hw_platform` folder into the example folder.
4. In `xilskey_efuse_example.c`, un-comment the code that calls the `ps7_init()` routine.
5. Compile the project.

The `<Project name>.elf` file is generated and is executed out of OCM.

When executed, this example displays the success/failure of the eFUSE application in a display message via UART (if UART is present and initialized) or the reboot status register.

UltraScale eFUSE Access Procedure

The procedure is as follows:

1. After providing the required inputs in `xilskey_input.h`, compile the project.
2. Generate a memory mapped interface file using TCL command `write_mem_info`
3. Update memory has to be done using the tcl command `updatemem`.
4. Program the board using `$Final.bit bitstream`.
5. Output can be seen in UART terminal.

UltraScale BBRAM Access Procedure

The procedure is as follows:

1. After providing the required inputs in the `xilskey_bbram_ultrascale_input.h`` file, compile the project.
2. Generate a memory mapped interface file using TCL command
3. Update memory has to be done using the tcl command `updatemem`:
4. Program the board using `$Final.bit bitstream`.
5. Output can be seen in UART terminal.

Data Structure Index

The following is a list of data structures:

- [XilSKey_JtagSlr](#)
- [XilSKey_UsrFuses](#)

XilSKey_JtagSlr

Declaration

```
typedef struct
{
    u32 NumSlr,
    u32 CurSlr,
    u32 IrLen
} XilSKey_JtagSlr;
```

Table 260: Structure XilSKey_JtagSlr member description

Member	Description
NumSlr	Number of SLRs to iterate through
CurSlr	Current SLR to iterate through
IrLen	Device IR length

XilSKey_UsrFuses

[XilSKey_UsrFuses](#) holds the User FUSES which needs to be actually programmed

Declaration

```
typedef struct
{
    u8 UserFuse[XSK_ZYNQMP_EFUSEPS_USER_FUSE_ROW_LEN_IN_BITS]
} XilSKey_UsrFuses;
```

Table 261: Structure XilSKey_UsrFuses member description

Member	Description
UserFuse	User fuses which need to be programmed

XiIPM Library v3.4

XiIPM Zynq UltraScale+ MPSoC APIs

Xilinx Power Management (XiIPM) provides Embedded Energy Management Interface (EEMI) APIs for power management on Zynq UltraScale+ MPSoC. For more details about EEMI, see the Embedded Energy Management Interface (EEMI) API User Guide (UG1200).

Table 262: Quick Function Reference

Type	Name	Arguments
XStatus	XPm_SelfSuspend	const enum XPmNodeId nid const u32 latency const u8 state const u64 address
XStatus	XPm_SetConfiguration	const u32 address
XStatus	XPm_InitFinalize	void
XStatus	XPm_RequestSuspend	const enum XPmNodeId target const enum XPmRequestAck ack const u32 latency const u8 state
XStatus	XPm_RequestWakeUp	const enum XPmNodeId target const bool setAddress const u64 address const enum XPmRequestAck ack
XStatus	XPm_ForcePowerDown	const enum XPmNodeId target const enum XPmRequestAck ack
XStatus	XPm_AbortSuspend	const enum XPmAbortReason reason

Table 262: Quick Function Reference (cont'd)

Type	Name	Arguments
XStatus	XPm_SetWakeUpSource	const enum XPmNodeId target const enum XPmNodeId wkup_node const u8 enable
XStatus	XPm_SystemShutdown	u32 type u32 subtype
XStatus	XPm_RequestNode	const enum XPmNodeId node const u32 capabilities const u32 qos const enum XPmRequestAck ack
XStatus	XPm_SetRequirement	const enum XPmNodeId nid const u32 capabilities const u32 qos const enum XPmRequestAck ack
XStatus	XPm_ReleaseNode	const enum XPmNodeId node
XStatus	XPm_SetMaxLatency	const enum XPmNodeId node const u32 latency
void	XPm_InitSuspendCb	const enum XPmSuspendReason reason const u32 latency const u32 state const u32 timeout
void	XPm_AcknowledgeCb	const enum XPmNodeId node const XStatus status const u32 oppoint
void	XPm_NotifyCb	const enum XPmNodeId node const enum XPmNotifyEvent event const u32 oppoint
XStatus	XPm_GetApiVersion	u32 * version
XStatus	XPm_GetNodeStatus	const enum XPmNodeId node XPm_NodeStatus *const nodestatus

Table 262: Quick Function Reference (cont'd)

Type	Name	Arguments
XStatus	XPm_GetOpCharacteristic	const enum XPmNodeId node const enum XPmOpCharType type u32 *const result
XStatus	XPm_ResetAssert	const enum XPmReset reset const enum XPmResetAction resetaction
XStatus	XPm_ResetGetStatus	const enum XPmReset reset u32 * status
XStatus	XPm_RegisterNotifier	XPm_Notifier *const notifier
XStatus	XPm_UnregisterNotifier	XPm_Notifier *const notifier
XStatus	XPm_MmioWrite	const u32 address const u32 mask const u32 value
XStatus	XPm_MmioRead	const u32 address u32 *const value
XStatus	XPm_ClockEnable	const enum XPmClock clk
XStatus	XPm_ClockDisable	const enum XPmClock clk
XStatus	XPm_ClockGetStatus	const enum XPmClock clk u32 *const status
XStatus	XPm_ClockSetOneDivider	const enum XPmClock clk const u32 divider const u32 divId
XStatus	XPm_ClockSetDivider	const enum XPmClock clk const u32 divider
XStatus	XPm_ClockGetOneDivider	const enum XPmClock clk u32 *const divider const u32 divId

Table 262: Quick Function Reference (cont'd)

Type	Name	Arguments
XStatus	XPm_ClockGetDivider	const enum XPmClock clk u32 *const divider
XStatus	XPm_ClockSetParent	const enum XPmClock clk const enum XPmClock parent
XStatus	XPm_ClockGetParent	const enum XPmClock clk enum XPmClock *const parent
XStatus	XPm_ClockSetRate	const enum XPmClock clk const u32 rate
XStatus	XPm_ClockGetRate	const enum XPmClock clk u32 *const rate
XStatus	XPm_PllSetParameter	const enum XPmNodeId node const enum XPmPllParam parameter const u32 value
XStatus	XPm_PllGetParameter	const enum XPmNodeId node const enum XPmPllParam parameter u32 *const value
XStatus	XPm_PllSetMode	const enum XPmNodeId node const enum XPmPllMode mode
XStatus	XPm_PllGetMode	const enum XPmNodeId node enum XPmPllMode *const mode
XStatus	XPm_PinCtrlAction	const u32 pin const enum XPmApiId api
XStatus	XPm_PinCtrlRequest	const u32 pin
XStatus	XPm_PinCtrlRelease	const u32 pin
XStatus	XPm_PinCtrlSetFunction	const u32 pin const enum XPmPinFn fn

Table 262: Quick Function Reference (cont'd)

Type	Name	Arguments
XStatus	XPm_PinCtrlGetFunction	const u32 pin enum XPmPinFn *const fn
XStatus	XPm_PinCtrlSetParameter	const u32 pin const enum XPmPinParam param const u32 value
XStatus	XPm_PinCtrlGetParameter	const u32 pin const enum XPmPinParam param u32 *const value
XStatus	XPm_InitXilpm	XIpiPsu * IpiInst
void	XPm_SuspendFinalize	void
enum XPmBootTestStatus	XPm_GetBootTestStatus	void

Functions

XPm_SelfSuspend

This function is used by a CPU to declare that it is about to suspend itself. After the PMU processes this call it will wait for the requesting CPU to complete the suspend procedure and become ready to be put into a sleep state.

Note: This is a blocking call, it will return only once PMU has responded

Prototype

```
XStatus XPm_SelfSuspend(const enum XPmNodeId nid, const u32 latency, const u8 state, const u64 address);
```

Parameters

The following table lists the `XPm_SelfSuspend` function arguments.

Table 263: XPm_SelfSuspend Arguments

Type	Name	Description
const enum XPmNodeId	nid	Node ID of the CPU node to be suspended.
const u32	latency	Maximum wake-up latency requirement in us(microsecs)

Table 263: **XPm_SelfSuspend Arguments** (cont'd)

Type	Name	Description
const u8	state	Instead of specifying a maximum latency, a CPU can also explicitly request a certain power state.
const u64	address	Address from which to resume when woken up.

Returns

XST_SUCCESS if successful else XST_FAILURE or an error code or a reason code

XPm_SetConfiguration

This function is called to configure the power management framework. The call triggers power management controller to load the configuration object and configure itself according to the content of the object.

Note: The provided address must be in 32-bit address space which is accessible by the PMU.

Prototype

```
XStatus XPm_SetConfiguration(const u32 address);
```

Parameters

The following table lists the `XPm_SetConfiguration` function arguments.

 Table 264: **XPm_SetConfiguration Arguments**

Type	Name	Description
const u32	address	Start address of the configuration object

Returns

XST_SUCCESS if successful, otherwise an error code

XPm_InitFinalize

This function is called to notify the power management controller about the completed power management initialization.

Note: It is assumed that all used nodes are requested when this call is made. The power management controller may power down the nodes which are not requested after this call is processed.

Prototype

```
XStatus XPm_InitFinalize(void);
```

Returns

XST_SUCCESS if successful, otherwise an error code

XPm_RequestSuspend

This function is used by a PU to request suspend of another PU. This call triggers the power management controller to notify the PU identified by 'nodeID' that a suspend has been requested. This will allow said PU to gracefully suspend itself by calling XPm_SelfSuspend for each of its CPU nodes, or else call XPm_AbortSuspend with its PU node as argument and specify the reason.

Note: If 'ack' is set to PM_ACK_NON_BLOCKING, the requesting PU will be notified upon completion of suspend or if an error occurred, such as an abort. REQUEST_ACK_BLOCKING is not supported for this command.

Prototype

```
XStatus XPm_RequestSuspend(const enum XPmNodeId target, const enum
XPmRequestAck ack, const u32 latency, const u8 state);
```

Parameters

The following table lists the XPm_RequestSuspend function arguments.

Table 265: XPm_RequestSuspend Arguments

Type	Name	Description
const enum XPmNodeId	target	Node ID of the PU node to be suspended
const enum XPmRequestAck	ack	Requested acknowledge type
const u32	latency	Maximum wake-up latency requirement in us(micro sec)
const u8	state	Instead of specifying a maximum latency, a PU can also explicitly request a certain power state.

Returns

XST_SUCCESS if successful else XST_FAILURE or an error code or a reason code

XPm_RequestWakeUp

This function can be used to request power up of a CPU node within the same PU, or to power up another PU.

Note: If acknowledge is requested, the calling PU will be notified by the power management controller once the wake-up is completed.

Prototype

```
XStatus XPm_RequestWakeUp(const enum XPmNodeId target, const bool
setAddress, const u64 address, const enum XPmRequestAck ack);
```

Parameters

The following table lists the `XPm_RequestWakeUp` function arguments.

Table 266: `XPm_RequestWakeUp` Arguments

Type	Name	Description
const enum <code>XPmNodeId</code>	target	Node ID of the CPU or PU to be powered/woken up.
const bool	setAddress	Specifies whether the start address argument is being passed. <ul style="list-style-type: none"> 0 : do not set start address 1 : set start address
const u64	address	Address from which to resume when woken up. Will only be used if <code>set_address</code> is 1.
const enum <code>XPmRequestAck</code>	ack	Requested acknowledge type

Returns

`XST_SUCCESS` if successful else `XST_FAILURE` or an error code or a reason code

`XPm_ForcePowerDown`

One PU can request a forced poweroff of another PU or its power island or power domain. This can be used for killing an unresponsive PU, in which case all resources of that PU will be automatically released.

Note: Force power down may not be requested by a PU for itself.

Prototype

```
XStatus XPm_ForcePowerDown(const enum XPmNodeId target, const enum
XPmRequestAck ack);
```

Parameters

The following table lists the `XPm_ForcePowerDown` function arguments.

Table 267: `XPm_ForcePowerDown` Arguments

Type	Name	Description
const enum <code>XPmNodeId</code>	target	Node ID of the PU node or power island/domain to be powered down.

Table 267: **XPm_ForcePowerDown Arguments** (cont'd)

Type	Name	Description
const enum XPmRequestAck	ack	Requested acknowledge type

Returns

XST_SUCCESS if successful else XST_FAILURE or an error code or a reason code

XPm_AbortSuspend

This function is called by a CPU after a `XPm_SelfSuspend` call to notify the power management controller that CPU has aborted suspend or in response to an init suspend request when the PU refuses to suspend.

Note: Calling PU expects the PMU to abort the initiated suspend procedure. This is a non-blocking call without any acknowledge.

Prototype

```
XStatus XPm_AbortSuspend(const enum XPmAbortReason reason);
```

Parameters

The following table lists the `XPm_AbortSuspend` function arguments.

 Table 268: **XPm_AbortSuspend Arguments**

Type	Name	Description
const enum XPmAbortReason	reason	Reason code why the suspend can not be performed or completed <ul style="list-style-type: none"> • ABORT_REASON_WKUP_EVENT : local wakeup-event received • ABORT_REASON_PU_BUSY : PU is busy • ABORT_REASON_NO_PWRDN : no external powerdown supported • ABORT_REASON_UNKNOWN : unknown error during suspend procedure

Returns

XST_SUCCESS if successful else XST_FAILURE or an error code or a reason code

XPm_SetWakeUpSource

This function is called by a PU to add or remove a wake-up source prior to going to suspend. The list of wake sources for a PU is automatically cleared whenever the PU is woken up or when one of its CPUs aborts the suspend procedure.

Note: Declaring a node as a wakeup source will ensure that the node will not be powered off. It also will cause the PMU to configure the GIC Proxy accordingly if the FPD is powered off.

Prototype

```
XStatus XPm_SetWakeUpSource(const enum XPmNodeId target, const enum
XPmNodeId wkup_node, const u8 enable);
```

Parameters

The following table lists the `XPm_SetWakeUpSource` function arguments.

Table 269: XPm_SetWakeUpSource Arguments

Type	Name	Description
const enum <code>XPmNodeId</code>	target	Node ID of the target to be woken up.
const enum <code>XPmNodeId</code>	wkup_node	Node ID of the wakeup device.
const u8	enable	Enable flag: <ul style="list-style-type: none"> 1 : the wakeup source is added to the list 0 : the wakeup source is removed from the list

Returns

XST_SUCCESS if successful else XST_FAILURE or an error code or a reason code

XPm_SystemShutdown

This function can be used by a privileged PU to shut down or restart the complete device.

Note: In either case the PMU will call `XPm_InitSuspendCb` for each of the other PUs, allowing them to gracefully shut down. If a PU is asleep it will be woken up by the PMU. The PU making the `XPm_SystemShutdown` should perform its own suspend procedure after calling this API. It will not receive an init suspend callback.

Prototype

```
XStatus XPm_SystemShutdown(u32 type, u32 subtype);
```

Parameters

The following table lists the `XPm_SystemShutdown` function arguments.

Table 270: `XPm_SystemShutdown` Arguments

Type	Name	Description
u32	type	Should the system be restarted automatically? <ul style="list-style-type: none"> PM_SHUTDOWN : no restart requested, system will be powered off permanently PM_RESTART : restart is requested, system will go through a full reset
u32	subtype	Restart subtype (SYSTEM or PS_ONLY or SUBSYSTEM)

Returns

XST_SUCCESS if successful else XST_FAILURE or an error code or a reason code

XPm_RequestNode

Used to request the usage of a PM-slave. Using this API call a PU requests access to a slave device and asserts its requirements on that device. Provided the PU is sufficiently privileged, the PMU will enable access to the memory mapped region containing the control registers of that device. For devices that can only be serving a single PU, any other privileged PU will now be blocked from accessing this device until the node is released.

Note: None

Prototype

```
XStatus XPm_RequestNode(const enum XPmNodeId node, const u32 capabilities,
    const u32 qos, const enum XPmRequestAck ack);
```

Parameters

The following table lists the `XPm_RequestNode` function arguments.

Table 271: `XPm_RequestNode` Arguments

Type	Name	Description
const enum <code>XPmNodeId</code>	node	Node ID of the PM slave requested

Table 271: XPm_RequestNode Arguments (cont'd)

Type	Name	Description
const u32	capabilities	Slave-specific capabilities required, can be combined <ul style="list-style-type: none"> PM_CAP_ACCESS : full access / functionality PM_CAP_CONTEXT : preserve context PM_CAP_WAKEUP : emit wake interrupts
const u32	qos	Quality of Service (0-100) required
const enum XPmRequestAck	ack	Requested acknowledge type

Returns

XST_SUCCESS if successful else XST_FAILURE or an error code or a reason code

XPm_SetRequirement

This function is used by a PU to announce a change in requirements for a specific slave node which is currently in use.

Note: If this function is called after the last awake CPU within the PU calls SelfSuspend, the requirement change shall be performed after the CPU signals the end of suspend to the power management controller, (e.g. WFI interrupt).

Prototype

```
XStatus XPm_SetRequirement(const enum XPmNodeId nid, const u32
capabilities, const u32 qos, const enum XPmRequestAck ack);
```

Parameters

The following table lists the XPm_SetRequirement function arguments.

Table 272: XPm_SetRequirement Arguments

Type	Name	Description
const enum XPmNodeId	nid	Node ID of the PM slave.
const u32	capabilities	Slave-specific capabilities required.
const u32	qos	Quality of Service (0-100) required.
const enum XPmRequestAck	ack	Requested acknowledge type

Returns

XST_SUCCESS if successful else XST_FAILURE or an error code or a reason code

XPm_ReleaseNode

This function is used by a PU to release the usage of a PM slave. This will tell the power management controller that the node is no longer needed by that PU, potentially allowing the node to be placed into an inactive state.

Note: None

Prototype

```
XStatus XPm_ReleaseNode(const enum XPmNodeId node);
```

Parameters

The following table lists the `XPm_ReleaseNode` function arguments.

Table 273: XPm_ReleaseNode Arguments

Type	Name	Description
const enum XPmNodeId	node	Node ID of the PM slave.

Returns

XST_SUCCESS if successful else XST_FAILURE or an error code or a reason code

XPm_SetMaxLatency

This function is used by a PU to announce a change in the maximum wake-up latency requirements for a specific slave node currently used by that PU.

Note: Setting maximum wake-up latency can constrain the set of possible power states a resource can be put into.

Prototype

```
XStatus XPm_SetMaxLatency(const enum XPmNodeId node, const u32 latency);
```

Parameters

The following table lists the `XPm_SetMaxLatency` function arguments.

Table 274: XPm_SetMaxLatency Arguments

Type	Name	Description
const enum XPmNodeId	node	Node ID of the PM slave.
const u32	latency	Maximum wake-up latency required.

Returns

XST_SUCCESS if successful else XST_FAILURE or an error code or a reason code

XPm_InitSuspendCb

Callback function to be implemented in each PU, allowing the power management controller to request that the PU suspend itself.

Note: If the PU fails to act on this request the power management controller or the requesting PU may choose to employ the forceful power down option.

Prototype

```
void XPm_InitSuspendCb(const enum XPmSuspendReason reason, const u32
latency, const u32 state, const u32 timeout);
```

Parameters

The following table lists the `XPm_InitSuspendCb` function arguments.

Table 275: XPm_InitSuspendCb Arguments

Type	Name	Description
const enum XPmSuspendReason	reason	Suspend reason: <ul style="list-style-type: none"> SUSPEND_REASON_PU_REQ : Request by another PU SUSPEND_REASON_ALERT : Unrecoverable SysMon alert SUSPEND_REASON_SHUTDOWN : System shutdown SUSPEND_REASON_RESTART : System restart
const u32	latency	Maximum wake-up latency in us(micro secs). This information can be used by the PU to decide what level of context saving may be required.
const u32	state	Targeted sleep/suspend state.
const u32	timeout	Timeout in ms, specifying how much time a PU has to initiate its suspend procedure before it's being considered unresponsive.

Returns

None

XPm_AcknowledgeCb

This function is called by the power management controller in response to any request where an acknowledge callback was requested, i.e. where the 'ack' argument passed by the PU was REQUEST_ACK_NON_BLOCKING.

Note: None

Prototype

```
void XPm_AcknowledgeCb(const enum XPmNodeId node, const XStatus status,
const u32 oppoint);
```

Parameters

The following table lists the `XPm_AcknowledgeCb` function arguments.

Table 276: XPm_AcknowledgeCb Arguments

Type	Name	Description
const enum XPmNodeId	node	ID of the component or sub-system in question.
const XStatus	status	Status of the operation: <ul style="list-style-type: none"> OK: the operation completed successfully ERR: the requested operation failed
const u32	oppoint	Operating point of the node in question

Returns

None

XPm_NotifyCb

This function is called by the power management controller if an event the PU was registered for has occurred. It will populate the notifier data structure passed when calling `XPm_RegisterNotifier`.

Note: None

Prototype

```
void XPm_NotifyCb(const enum XPmNodeId node, const enum XPmNotifyEvent
event, const u32 oppoint);
```

Parameters

The following table lists the `XPm_NotifyCb` function arguments.

Table 277: XPm_NotifyCb Arguments

Type	Name	Description
const enum XPmNodeId	node	ID of the node the event notification is related to.

Table 277: **XPm_NotifyCb Arguments** (cont'd)

Type	Name	Description
const enum XPmNotifyEvent	event	ID of the event
const u32	oppoint	Current operating state of the node.

Returns

None

XPm_GetApiVersion

This function is used to request the version number of the API running on the power management controller.

Note: None

Prototype

```
XStatus XPm_GetApiVersion(u32 *version);
```

Parameters

The following table lists the `XPm_GetApiVersion` function arguments.

 Table 278: **XPm_GetApiVersion Arguments**

Type	Name	Description
u32 *	version	Returns the API 32-bit version number. Returns 0 if no PM firmware present.

Returns

XST_SUCCESS if successful else XST_FAILURE or an error code or a reason code

XPm_GetNodeStatus

This function is used to obtain information about the current state of a component. The caller must pass a pointer to an `XPm_NodeStatus` structure, which must be pre-allocated by the caller.

- status - The current power state of the requested node.
 - For CPU nodes:
 - 0 : if CPU is off (powered down),
 - 1 : if CPU is active (powered up),

- 2 : if CPU is in sleep (powered down),
- 3 : if CPU is suspending (powered up)
- o For power islands and power domains:
 - 0 : if island is powered down,
 - 1 : if island is powered up
- o For PM slaves:
 - 0 : if slave is powered down,
 - 1 : if slave is powered up,
 - 2 : if slave is in retention
- requirement - Slave nodes only: Returns current requirements the requesting PU has requested of the node.
- usage - Slave nodes only: Returns current usage status of the node:
 - o 0 : node is not used by any PU,
 - o 1 : node is used by caller exclusively,
 - o 2 : node is used by other PU(s) only,
 - o 3 : node is used by caller and by other PU(s)

Note: None

Prototype

```
XStatus XPm_GetNodeStatus(const enum XPmNodeId node, XPm_NodeStatus *const
nodestatus);
```

Parameters

The following table lists the `XPm_GetNodeStatus` function arguments.

Table 279: XPm_GetNodeStatus Arguments

Type	Name	Description
const enum <code>XPmNodeId</code>	node	ID of the component or sub-system in question.
<code>XPm_NodeStatus</code> *const	nodestatus	Used to return the complete status of the node.

Returns

XST_SUCCESS if successful else XST_FAILURE or an error code or a reason code

XPm_GetOpCharacteristic

Call this function to request the power management controller to return information about an operating characteristic of a component.

Note: Power value is not actual power consumption of device. It is default dummy power value which is fixed in PMUFW. Temperature type is not supported for ZynqMP.

Prototype

```
XStatus XPm_GetOpCharacteristic(const enum XPmNodeId node, const enum XPmOpCharType type, u32 *const result);
```

Parameters

The following table lists the `XPm_GetOpCharacteristic` function arguments.

Table 280: XPm_GetOpCharacteristic Arguments

Type	Name	Description
const enum <code>XPmNodeId</code>	node	ID of the component or sub-system in question.
const enum <code>XPmOpCharType</code>	type	Type of operating characteristic requested: <ul style="list-style-type: none"> power (current power consumption), latency (current latency in micro seconds to return to active state), temperature (current temperature),
u32 *const	result	Used to return the requested operating characteristic.

Returns

XST_SUCCESS if successful else XST_FAILURE or an error code or a reason code

XPm_ResetAssert

This function is used to assert or release reset for a particular reset line. Alternatively a reset pulse can be requested as well.

Note: None

Prototype

```
XStatus XPm_ResetAssert(const enum XPmReset reset, const enum XPmResetAction resetaction);
```

Parameters

The following table lists the `XPm_ResetAssert` function arguments.

Table 281: XPm_ResetAssert Arguments

Type	Name	Description
const enum XPmReset	reset	ID of the reset line
const enum XPmResetAction	resetaction	Identifies action: <ul style="list-style-type: none"> PM_RESET_ACTION_RELEASE : release reset, PM_RESET_ACTION_ASSERT : assert reset, PM_RESET_ACTION_PULSE : pulse reset,

Returns

XST_SUCCESS if successful else XST_FAILURE or an error code or a reason code

XPm_ResetGetStatus

Call this function to get the current status of the selected reset line.

Note: None

Prototype

```
XStatus XPm_ResetGetStatus(const enum XPmReset reset, u32 *status);
```

Parameters

The following table lists the `XPm_ResetGetStatus` function arguments.

Table 282: XPm_ResetGetStatus Arguments

Type	Name	Description
const enum XPmReset	reset	Reset line
u32 *	status	Status of specified reset (true - asserted, false - released)

Returns

Returns 1/XST_FAILURE for 'asserted' or 0/XST_SUCCESS for 'released'.

XPm_RegisterNotifier

A PU can call this function to request that the power management controller call its notify callback whenever a qualifying event occurs. One can request to be notified for a specific or any event related to a specific node.

- `nodeID` : ID of the node to be notified about,
- `eventID` : ID of the event in question, '-1' denotes all events (- `EVENT_STATE_CHANGE`, `EVENT_ZERO_USERS`),
- `wake` : true: wake up on event, false: do not wake up (only notify if awake), no buffering/queueing
- `callback` : Pointer to the custom callback function to be called when the notification is available. The callback executes from interrupt context, so the user must take special care when implementing the callback. Callback is optional, may be set to NULL.
- `received` : Variable indicating how many times the notification has been received since the notifier is registered.

Note: The caller shall initialize the notifier object before invoking the `XPm_RegisterNotifier` function. While notifier is registered, the notifier object shall not be modified by the caller.

Prototype

```
XStatus XPm_RegisterNotifier(XPm_Notifier *const notifier);
```

Parameters

The following table lists the `XPm_RegisterNotifier` function arguments.

Table 283: XPm_RegisterNotifier Arguments

Type	Name	Description
<code>XPm_Notifier *const</code>	<code>notifier</code>	Pointer to the notifier object to be associated with the requested notification. The notifier object contains the following data related to the notification:

Returns

`XST_SUCCESS` if successful else `XST_FAILURE` or an error code or a reason code

XPm_UnregisterNotifier

A PU calls this function to unregister for the previously requested notifications.

Note: None

Prototype

```
XStatus XPm_UnregisterNotifier(XPm_Notifier *const notifier);
```

Parameters

The following table lists the `XPm_UnregisterNotifier` function arguments.

Table 284: XPm_UnregisterNotifier Arguments

Type	Name	Description
<code>XPm_Notifier *const</code>	notifier	Pointer to the notifier object associated with the previously requested notification

Returns

`XST_SUCCESS` if successful else `XST_FAILURE` or an error code or a reason code

XPm_MmioWrite

Call this function to write a value directly into a register that isn't accessible directly, such as registers in the clock control unit. This call is bypassing the power management logic. The permitted addresses are subject to restrictions as defined in the PCW configuration.

Note: If the access isn't permitted this function returns an error code.

Prototype

```
XStatus XPm_MmioWrite(const u32 address, const u32 mask, const u32 value);
```

Parameters

The following table lists the `XPm_MmioWrite` function arguments.

Table 285: XPm_MmioWrite Arguments

Type	Name	Description
<code>const u32</code>	address	Physical 32-bit address of memory mapped register to write to.
<code>const u32</code>	mask	32-bit value used to limit write to specific bits in the register.
<code>const u32</code>	value	Value to write to the register bits specified by the mask.

Returns

`XST_SUCCESS` if successful else `XST_FAILURE` or an error code or a reason code

XPm_MmioRead

Call this function to read a value from a register that isn't accessible directly. The permitted addresses are subject to restrictions as defined in the PCW configuration.

Note: If the access isn't permitted this function returns an error code.

Prototype

```
XStatus XPm_MmioRead(const u32 address, u32 *const value);
```

Parameters

The following table lists the `XPm_MmioRead` function arguments.

Table 286: XPm_MmioRead Arguments

Type	Name	Description
const u32	address	Physical 32-bit address of memory mapped register to read from.
u32 *const	value	Returns the 32-bit value read from the register

Returns

XST_SUCCESS if successful else XST_FAILURE or an error code or a reason code

XPm_ClockEnable

Call this function to enable (activate) a clock.

Note: If the access isn't permitted this function returns an error code.

Prototype

```
XStatus XPm_ClockEnable(const enum XPmClock clk);
```

Parameters

The following table lists the `XPm_ClockEnable` function arguments.

Table 287: XPm_ClockEnable Arguments

Type	Name	Description
const enum <code>XPmClock</code>	clk	Identifier of the target clock to be enabled

Returns

Status of performing the operation as returned by the PMU-FW

XPm_ClockDisable

Call this function to disable (gate) a clock.

Note: If the access isn't permitted this function returns an error code.

Prototype

```
XStatus XPm_ClockDisable(const enum XPmClock clk);
```

Parameters

The following table lists the `XPm_ClockDisable` function arguments.

Table 288: XPm_ClockDisable Arguments

Type	Name	Description
const enum XPmClock	clk	Identifier of the target clock to be disabled

Returns

Status of performing the operation as returned by the PMU-FW

XPm_ClockGetStatus

Call this function to get status of a clock gate state.

Prototype

```
XStatus XPm_ClockGetStatus(const enum XPmClock clk, u32 *const status);
```

Parameters

The following table lists the `XPm_ClockGetStatus` function arguments.

Table 289: XPm_ClockGetStatus Arguments

Type	Name	Description
const enum XPmClock	clk	Identifier of the target clock
u32 *const	status	Location to store clock gate state (1=enabled, 0=disabled)

Returns

Status of performing the operation as returned by the PMU-FW

XPm_ClockSetOneDivider

Call this function to set divider for a clock.

Note: If the access isn't permitted this function returns an error code.

Prototype

```
XStatus XPm_ClockSetOneDivider(const enum XPmClock clk, const u32 divider,
const u32 divId);
```

Parameters

The following table lists the `XPm_ClockSetOneDivider` function arguments.

Table 290: XPm_ClockSetOneDivider Arguments

Type	Name	Description
const enum <code>XPmClock</code>	clk	Identifier of the target clock
const u32	divider	Divider value to be set
const u32	divId	ID of the divider to be set

Returns

Status of performing the operation as returned by the PMU-FW

XPm_ClockSetDivider

Call this function to set divider for a clock.

Note: If the access isn't permitted this function returns an error code.

Prototype

```
XStatus XPm_ClockSetDivider(const enum XPmClock clk, const u32 divider);
```

Parameters

The following table lists the `XPm_ClockSetDivider` function arguments.

Table 291: XPm_ClockSetDivider Arguments

Type	Name	Description
const enum <code>XPmClock</code>	clk	Identifier of the target clock
const u32	divider	Divider value to be set

Returns

XST_INVALID_PARAM or status of performing the operation as returned by the PMU-FW

XPm_ClockGetOneDivider

Local function to get one divider (DIV0 or DIV1) of a clock.

Prototype

```
XStatus XPm_ClockGetOneDivider(const enum XPmClock clk, u32 *const divider,
const u32 divId);
```

Parameters

The following table lists the `XPm_ClockGetOneDivider` function arguments.

Table 292: XPm_ClockGetOneDivider Arguments

Type	Name	Description
const enum XPmClock	clk	Identifier of the target clock
u32 *const	divider	Location to store the divider value
const u32	divId	ID of the divider

Returns

Status of performing the operation as returned by the PMU-FW

XPm_ClockGetDivider

Call this function to get divider of a clock.

Prototype

```
XStatus XPm_ClockGetDivider(const enum XPmClock clk, u32 *const divider);
```

Parameters

The following table lists the `XPm_ClockGetDivider` function arguments.

Table 293: XPm_ClockGetDivider Arguments

Type	Name	Description
const enum XPmClock	clk	Identifier of the target clock
u32 *const	divider	Location to store the divider value

Returns

XST_INVALID_PARAM or status of performing the operation as returned by the PMU-FW

XPm_ClockSetParent

Call this function to set parent for a clock.

Note: If the access isn't permitted this function returns an error code.

Prototype

```
XStatus XPm_ClockSetParent(const enum XPmClock clk, const enum XPmClock parent);
```

Parameters

The following table lists the `XPm_ClockSetParent` function arguments.

Table 294: XPm_ClockSetParent Arguments

Type	Name	Description
const enum <code>XPmClock</code>	clk	Identifier of the target clock
const enum <code>XPmClock</code>	parent	Identifier of the target parent clock

Returns

XST_INVALID_PARAM or status of performing the operation as returned by the PMU-FW.

XPm_ClockGetParent

Call this function to get parent of a clock.

Prototype

```
XStatus XPm_ClockGetParent(const enum XPmClock clk, enum XPmClock *const parent);
```

Parameters

The following table lists the `XPm_ClockGetParent` function arguments.

Table 295: XPm_ClockGetParent Arguments

Type	Name	Description
const enum <code>XPmClock</code>	clk	Identifier of the target clock
enum <code>XPmClock</code> *const	parent	Location to store clock parent ID

Returns

XST_INVALID_PARAM or status of performing the operation as returned by the PMU-FW.

XPm_ClockSetRate

Call this function to set rate of a clock.

Note: If the action isn't permitted this function returns an error code.

Prototype

```
XStatus XPm_ClockSetRate(const enum XPmClock clk, const u32 rate);
```

Parameters

The following table lists the `XPm_ClockSetRate` function arguments.

Table 296: XPm_ClockSetRate Arguments

Type	Name	Description
const enum <code>XPmClock</code>	clk	Identifier of the target clock
const u32	rate	Clock frequency (rate) to be set

Returns

Status of performing the operation as returned by the PMU-FW

XPm_ClockGetRate

Call this function to get rate of a clock.

Prototype

```
XStatus XPm_ClockGetRate(const enum XPmClock clk, u32 *const rate);
```

Parameters

The following table lists the `XPm_ClockGetRate` function arguments.

Table 297: XPm_ClockGetRate Arguments

Type	Name	Description
const enum <code>XPmClock</code>	clk	Identifier of the target clock
u32 *const	rate	Location where the rate should be stored

Returns

Status of performing the operation as returned by the PMU-FW

XPm_PllSetParameter

Call this function to set a PLL parameter.

Note: If the access isn't permitted this function returns an error code.

Prototype

```
XStatus XPm_PllSetParameter(const enum XPmNodeId node, const enum
XPmPllParam parameter, const u32 value);
```

Parameters

The following table lists the `XPm_PllSetParameter` function arguments.

Table 298: XPm_PllSetParameter Arguments

Type	Name	Description
const enum XPmNodeId	node	PLL node identifier
const enum XPmPllParam	parameter	PLL parameter identifier
const u32	value	Value of the PLL parameter

Returns

Status of performing the operation as returned by the PMU-FW

XPm_PllGetParameter

Call this function to get a PLL parameter.

Prototype

```
XStatus XPm_PllGetParameter(const enum XPmNodeId node, const enum
XPmPllParam parameter, u32 *const value);
```

Parameters

The following table lists the `XPm_PllGetParameter` function arguments.

Table 299: XPm_PllGetParameter Arguments

Type	Name	Description
const enum XPmNodeId	node	PLL node identifier

Table 299: **XPm_PllGetParameter Arguments** (cont'd)

Type	Name	Description
const enum XPmPllParam	parameter	PLL parameter identifier
u32 *const	value	Location to store value of the PLL parameter

Returns

Status of performing the operation as returned by the PMU-FW

XPm_PllSetMode

Call this function to set a PLL mode.

Note: If the access isn't permitted this function returns an error code.

Prototype

```
XStatus XPm_PllSetMode(const enum XPmNodeId node, const enum XPmPllMode mode);
```

Parameters

The following table lists the `XPm_PllSetMode` function arguments.

 Table 300: **XPm_PllSetMode Arguments**

Type	Name	Description
const enum XPmNodeId	node	PLL node identifier
const enum XPmPllMode	mode	PLL mode to be set

Returns

Status of performing the operation as returned by the PMU-FW

XPm_PllGetMode

Call this function to get a PLL mode.

Prototype

```
XStatus XPm_PllGetMode(const enum XPmNodeId node, enum XPmPllMode *const mode);
```


Parameters

The following table lists the `XPm_PllGetMode` function arguments.

Table 301: `XPm_PllGetMode` Arguments

Type	Name	Description
const enum <code>XPmNodeId</code>	node	PLL node identifier
enum <code>XPmPllMode</code> *const	mode	Location to store the PLL mode

Returns

Status of performing the operation as returned by the PMU-FW

XPm_PinCtrlAction

Locally used function to request or release a pin control.

Prototype

```
XStatus XPm_PinCtrlAction(const u32 pin, const enum XPmApiId api);
```

Parameters

The following table lists the `XPm_PinCtrlAction` function arguments.

Table 302: `XPm_PinCtrlAction` Arguments

Type	Name	Description
const u32	pin	PIN identifier (index from range 0-77)
const enum <code>XPmApiId</code>	api	API identifier (request or release pin control)

Returns

Status of performing the operation as returned by the PMU-FW

XPm_PinCtrlRequest

Call this function to request a pin control.

Prototype

```
XStatus XPm_PinCtrlRequest(const u32 pin);
```

Parameters

The following table lists the `XPm_PinCtrlRequest` function arguments.

Table 303: `XPm_PinCtrlRequest` Arguments

Type	Name	Description
const u32	pin	PIN identifier (index from range 0-77)

Returns

Status of performing the operation as returned by the PMU-FW

XPm_PinCtrlRelease

Call this function to release a pin control.

Prototype

```
XStatus XPm_PinCtrlRelease(const u32 pin);
```

Parameters

The following table lists the `XPm_PinCtrlRelease` function arguments.

Table 304: `XPm_PinCtrlRelease` Arguments

Type	Name	Description
const u32	pin	PIN identifier (index from range 0-77)

Returns

Status of performing the operation as returned by the PMU-FW

XPm_PinCtrlSetFunction

Call this function to set a pin function.

Note: If the access isn't permitted this function returns an error code.

Prototype

```
XStatus XPm_PinCtrlSetFunction(const u32 pin, const enum XPmPinFn fn);
```

Parameters

The following table lists the `XPm_PinCtrlSetFunction` function arguments.

Table 305: `XPm_PinCtrlSetFunction` Arguments

Type	Name	Description
const u32	pin	Pin identifier
const enum <code>XPmPinFn</code>	fn	Pin function to be set

Returns

Status of performing the operation as returned by the PMU-FW

`XPm_PinCtrlGetFunction`

Call this function to get currently configured pin function.

Prototype

```
XStatus XPm_PinCtrlGetFunction(const u32 pin, enum XPmPinFn *const fn);
```

Parameters

The following table lists the `XPm_PinCtrlGetFunction` function arguments.

 Table 306: `XPm_PinCtrlGetFunction` Arguments

Type	Name	Description
const u32	pin	PLL node identifier
enum <code>XPmPinFn</code> *const	fn	Location to store the pin function

Returns

Status of performing the operation as returned by the PMU-FW

`XPm_PinCtrlSetParameter`

Call this function to set a pin parameter.

Note: If the access isn't permitted this function returns an error code.

Prototype

```
XStatus XPm_PinCtrlSetParameter(const u32 pin, const enum XPmPinParam param, const u32 value);
```

Parameters

The following table lists the `XPm_PinCtrlSetParameter` function arguments.

Table 307: `XPm_PinCtrlSetParameter` Arguments

Type	Name	Description
const u32	pin	Pin identifier
const enum XPmPinParam	param	Pin parameter identifier
const u32	value	Value of the pin parameter to set

Returns

Status of performing the operation as returned by the PMU-FW

XPm_PinCtrlGetParameter

Call this function to get currently configured value of pin parameter.

Prototype

```
XStatus XPm_PinCtrlGetParameter(const u32 pin, const enum XPmPinParam
param, u32 *const value);
```

Parameters

The following table lists the `XPm_PinCtrlGetParameter` function arguments.

 Table 308: `XPm_PinCtrlGetParameter` Arguments

Type	Name	Description
const u32	pin	Pin identifier
const enum XPmPinParam	param	Pin parameter identifier
u32 *const	value	Location to store value of the pin parameter

Returns

Status of performing the operation as returned by the PMU-FW

XPm_InitXilpm

Initialize xilpm library.

Prototype

```
XStatus XPm_InitXilpm(XIpiPsu *IpiInst);
```

Parameters

The following table lists the `XPm_InitXilpm` function arguments.

Table 309: `XPm_InitXilpm` Arguments

Type	Name	Description
XIpiPsu *	IpiInst	Pointer to IPI driver instance

Returns

XST_SUCCESS if successful else XST_FAILURE or an error code or a reason code

XPm_SuspendFinalize

This Function waits for firmware to finish all previous API requests sent by the PU and performs client specific actions to finish suspend procedure (e.g. execution of wfi instruction on Arm Cortex-A53 and Arm Cortex-R5F processors).

Note: This function should not return if the suspend procedure is successful.

Prototype

```
void XPm_SuspendFinalize(void);
```

Returns

XPm_GetBootStatus

This Function returns information about the boot reason. If the boot is not a system startup but a resume, power down request bitfield for this processor will be cleared.

Prototype

```
enum
    XPmBootStatus
XPm_GetBootStatus(void);
```

Returns

Returns processor boot status

- PM_RESUME : If the boot reason is because of system resume.
- PM_INITIAL_BOOT : If this boot is the initial system startup.

Enumerations

Enumeration XPmApiId

APIs for Miscellaneous functions, suspending of PUs, managing PM slaves and Direct control.

Table 310: Enumeration XPmApiId Values

Value	Description
PM_GET_API_VERSION	0x1
PM_SET_CONFIGURATION	0x2
PM_GET_NODE_STATUS	0x3
PM_GET_OP_CHARACTERISTIC	0x4
PM_REGISTER_NOTIFIER	0x5
PM_REQUEST_SUSPEND	0x6
PM_SELF_SUSPEND	0x7
PM_FORCE_POWERDOWN	0x8
PM_ABORT_SUSPEND	0x9
PM_REQUEST_WAKEUP	0xA
PM_SET_WAKEUP_SOURCE	0xB
PM_SYSTEM_SHUTDOWN	0xC
PM_REQUEST_NODE	0xD
PM_RELEASE_NODE	0xE
PM_SET_REQUIREMENT	0xF
PM_SET_MAX_LATENCY	0x10
PM_RESET_ASSERT	0x11
PM_RESET_GET_STATUS	0x12
PM_MMIO_WRITE	0x13
PM_MMIO_READ	0x14
PM_INIT_FINALIZE	0x15
PM_FPGA_LOAD	0x16
PM_FPGA_GET_STATUS	0x17
PM_GET_CHIPID	0x18
PM_SECURE_SHA	0x1A
PM_SECURE_RSA	0x1B
PM_PINCTRL_REQUEST	0x1C
PM_PINCTRL_RELEASE	0x1D
PM_PINCTRL_GET_FUNCTION	0x1E
PM_PINCTRL_SET_FUNCTION	0x1F
PM_PINCTRL_CONFIG_PARAM_GET	0x20
PM_PINCTRL_CONFIG_PARAM_SET	0x21
PM_IOCTL	0x22

Table 310: Enumeration XPmApiId Values (cont'd)

Value	Description
PM_QUERY_DATA	0x23
PM_CLOCK_ENABLE	0x24
PM_CLOCK_DISABLE	0x25
PM_CLOCK_GETSTATE	0x26
PM_CLOCK_SETDIVIDER	0x27
PM_CLOCK_GETDIVIDER	0x28
PM_CLOCK_SETRATE	0x29
PM_CLOCK_GETRATE	0x2A
PM_CLOCK_SETPARENT	0x2B
PM_CLOCK_GETPARENT	0x2C
PM_SECURE_IMAGE	0x2D
PM_FPGA_READ	0x2E
PM_SECURE_AES	0x2F
PM_PLL_SET_PARAMETER	0x30
PM_PLL_GET_PARAMETER	0x31
PM_PLL_SET_MODE	0x32
PM_PLL_GET_MODE	0x33
PM_REGISTER_ACCESS	0x34
PM_EFUSE_ACCESS	0x35
PM_API_MAX	0x36

Enumeration XPmApiCbId

PM API Callback ID

Table 311: Enumeration XPmApiCbId Values

Value	Description
PM_INIT_SUSPEND_CB	Suspend callback
PM_ACKNOWLEDGE_CB	Acknowledge callback
PM_NOTIFY_CB	Notify callback
PM_NOTIFY_STL_NO_OP	Notify STL No OP

Enumeration XPmNodeId

PM Node ID

Table 312: Enumeration XPmNodeId Values

Value	Description
NODE_UNKNOWN	0x0
NODE_APU	0x1
NODE_APU_0	0x2
NODE_APU_1	0x3
NODE_APU_2	0x4
NODE_APU_3	0x5
NODE_RPU	0x6
NODE_RPU_0	0x7
NODE_RPU_1	0x8
NODE_PLD	0x9
NODE_FPD	0xA
NODE_OCM_BANK_0	0xB
NODE_OCM_BANK_1	0xC
NODE_OCM_BANK_2	0xD
NODE_OCM_BANK_3	0xE
NODE_TCM_0_A	0xF
NODE_TCM_0_B	0x10
NODE_TCM_1_A	0x11
NODE_TCM_1_B	0x12
NODE_L2	0x13
NODE_GPU_PP_0	0x14
NODE_GPU_PP_1	0x15
NODE_USB_0	0x16
NODE_USB_1	0x17
NODE_TTC_0	0x18
NODE_TTC_1	0x19
NODE_TTC_2	0x1A
NODE_TTC_3	0x1B
NODE_SATA	0x1C
NODE_ETH_0	0x1D
NODE_ETH_1	0x1E
NODE_ETH_2	0x1F
NODE_ETH_3	0x20
NODE_UART_0	0x21
NODE_UART_1	0x22
NODE_SPI_0	0x23
NODE_SPI_1	0x24
NODE_I2C_0	0x25
NODE_I2C_1	0x26

Table 312: Enumeration XPmNodeId Values (cont'd)

Value	Description
NODE_SD_0	0x27
NODE_SD_1	0x28
NODE_DP	0x29
NODE_GDMA	0x2A
NODE_ADMA	0x2B
NODE_NAND	0x2C
NODE_QSPI	0x2D
NODE_GPIO	0x2E
NODE_CAN_0	0x2F
NODE_CAN_1	0x30
NODE_EXTERN	0x31
NODE_APLL	0x32
NODE_VPLL	0x33
NODE_DPLL	0x34
NODE_RPLL	0x35
NODE_IOPLL	0x36
NODE_DDR	0x37
NODE_IPI_APU	0x38
NODE_IPI_RPU_0	0x39
NODE_GPU	0x3A
NODE_PCIE	0x3B
NODE_PCAP	0x3C
NODE_RTC	0x3D
NODE_LPD	0x3E
NODE_VCU	0x3F
NODE_IPI_RPU_1	0x40
NODE_IPI_PL_0	0x41
NODE_IPI_PL_1	0x42
NODE_IPI_PL_2	0x43
NODE_IPI_PL_3	0x44
NODE_PL	0x45
NODE_ID_MAX	0x46

Enumeration XPmRequestAck

PM Acknowledge Request

Table 313: Enumeration XPmRequestAck Values

Value	Description
REQUEST_ACK_NO	No Ack
REQUEST_ACK_BLOCKING	Blocking Ack
REQUEST_ACK_NON_BLOCKING	Non blocking Ack
REQUEST_ACK_CB_CERROR	Callback Error

Enumeration XPmAbortReason

PM Abort Reasons

Table 314: Enumeration XPmAbortReason Values

Value	Description
ABORT_REASON_WKUP_EVENT	Wakeup Event
ABORT_REASON_PU_BUSY	Processor Busy
ABORT_REASON_NO_PWRDN	No Powerdown
ABORT_REASON_UNKNOWN	Unknown Reason
ABORT_REASON_WKUP_EVENT	Wakeup Event
ABORT_REASON_PU_BUSY	Processor Busy
ABORT_REASON_NO_PWRDN	No Powerdown
ABORT_REASON_UNKNOWN	Unknown Reason

Enumeration XPmSuspendReason

PM Suspend Reasons

Table 315: Enumeration XPmSuspendReason Values

Value	Description
SUSPEND_REASON_PU_REQ	Processor request
SUSPEND_REASON_ALERT	Alert
SUSPEND_REASON_SYS_SHUTDOWN	System shutdown
SUSPEND_REASON_PU_REQ	Processor request
SUSPEND_REASON_SYS_SHUTDOWN	Alert System shutdown

Enumeration XPmRamState

PM RAM States

Table 316: Enumeration XPmRamState Values

Value	Description
PM_RAM_STATE_OFF	Off
PM_RAM_STATE_RETENTION	Retention
PM_RAM_STATE_ON	On

Enumeration XPmOpCharType

PM Operating Characteristic

Table 317: Enumeration XPmOpCharType Values

Value	Description
PM_OPCHAR_TYPE_POWER	Operating characteristic ID power
PM_OPCHAR_TYPE_TEMP	Operating characteristic ID temperature
PM_OPCHAR_TYPE_LATENCY	Operating characteristic ID latency
PM_OPCHAR_TYPE_POWER	Operating characteristic ID power
PM_OPCHAR_TYPE_TEMP	Operating characteristic ID temperature
PM_OPCHAR_TYPE_LATENCY	Operating characteristic ID latency

Definitions

Define PM_VERSION_MAJOR

Definition

```
#define PM_VERSION_MAJOR1
```

Description

PM Version Number macros

Define PM_VERSION_MINOR

Definition

```
#define PM_VERSION_MINOR1
```

Description

PM Version Number macros

Define PM_VERSION

Definition

```
#define PM_VERSION((  
    PM_VERSION_MAJOR  
    << 16) |  
    PM_VERSION_MINOR  
)
```

Description

PM Version Number macros

Define PM_CAP_ACCESS

Definition

```
#define PM_CAP_ACCESS0x1U
```

Description

Capabilities for RAM

Define PM_CAP_CONTEXT

Definition

```
#define PM_CAP_CONTEXT0x2U
```

Description

Capabilities for RAM

Define PM_CAP_WAKEUP

Definition

```
#define PM_CAP_WAKEUP0x4U
```

Description

Capabilities for RAM

Define NODE_STATE_OFF

Definition

```
#define NODE_STATE_OFF0
```

Description

Node State

Define NODE_STATE_ON

Definition

```
#define NODE_STATE_ON1
```

Description

Node State

Define PROC_STATE_FORCEDOFF

Definition

```
#define PROC_STATE_FORCEDOFF0
```

Description

Processor's state

Define PROC_STATE_ACTIVE

Definition

```
#define PROC_STATE_ACTIVE1
```

Description

Processor's state

Define PROC_STATE_SLEEP

Definition

```
#define PROC_STATE_SLEEP2
```

Description

Processor's state

Define PROC_STATE_SUSPENDING**Definition**

```
#define PROC_STATE_SUSPENDING3
```

Description

Processor's state

Define MAX_LATENCY**Definition**

```
#define MAX_LATENCY(~0U)
```

Description

Maximum Latency/QOS

Define MAX_QOS**Definition**

```
#define MAX_QOS100U
```

Description

Maximum Latency/QOS

Define PMF_SHUTDOWN_TYPE_SHUTDOWN**Definition**

```
#define PMF_SHUTDOWN_TYPE_SHUTDOWN0U
```

Description

System shutdown/Restart

Define PMF_SHUTDOWN_TYPE_RESET

Definition

```
#define PMF_SHUTDOWN_TYPE_RESET1U
```

Description

System shutdown/Restart

Define PMF_SHUTDOWN_SUBTYPE_SUBSYSTEM

Definition

```
#define PMF_SHUTDOWN_SUBTYPE_SUBSYSTEM0U
```

Description

System shutdown/Restart

Define PMF_SHUTDOWN_SUBTYPE_PS_ONLY

Definition

```
#define PMF_SHUTDOWN_SUBTYPE_PS_ONLY1U
```

Description

System shutdown/Restart

Define PMF_SHUTDOWN_SUBTYPE_SYSTEM

Definition

```
#define PMF_SHUTDOWN_SUBTYPE_SYSTEM2U
```

Description

System shutdown/Restart

XilPM Versal ACAP APIs

Xilinx Power Management (XilPM) provides Embedded Energy Management Interface (EEMI) APIs for power management on Versal ACAP devices. For more details about EEMI, see the Embedded Energy Management Interface (EEMI) API User Guide (UG1200).

The platform and power management functionality used by the APU/RPU applications is provided by the files in the 'XilPM<version>/versal/client' folder, where '<version>' is the version of the XilPM library.

Table 318: Quick Function Reference

Type	Name	Arguments
XStatus	XPm_InitXilpm	XIpiPsu * IpiInst
enum XPmBootStatus	XPm_GetBootStatus	void
XStatus	XPm_GetChipID	u32 * IDCode u32 * Version
XStatus	XPm_GetApiVersion	u32 * Version
XStatus	XPm_RequestNode	const u32 DeviceId const u32 Capabilities const u32 QoS const u32 Ack
XStatus	XPm_ReleaseNode	const u32 DeviceId
XStatus	XPm_SetRequirement	const u32 DeviceId const u32 Capabilities const u32 QoS const u32 Ack
XStatus	XPm_GetNodeStatus	const u32 DeviceId XPm_NodeStatus *const NodeStatus
XStatus	XPm_ResetAssert	const u32 ResetId const u32 Action
XStatus	XPm_ResetGetStatus	const u32 ResetId u32 *const State

Table 318: Quick Function Reference (cont'd)

Type	Name	Arguments
XStatus	XPm_PinCtrlRequest	const u32 PinId
XStatus	XPm_PinCtrlRelease	const u32 PinId
XStatus	XPm_PinCtrlSetFunction	const u32 PinId const u32 FunctionId
XStatus	XPm_PinCtrlGetFunction	const u32 PinId u32 *const FunctionId
XStatus	XPm_PinCtrlSetParameter	const u32 PinId const u32 ParamId const u32 ParamVal
XStatus	XPm_PinCtrlGetParameter	const u32 PinId const u32 ParamId u32 *const ParamVal
XStatus	XPm_DevIoctl	const u32 DeviceId const pm_ioctl1_id IoctlId const u32 Arg1 const u32 Arg2 u32 *const Response
XStatus	XPm_ClockEnable	const u32 ClockId
XStatus	XPm_ClockDisable	const u32 ClockId
XStatus	XPm_ClockGetStatus	const u32 ClockId u32 *const State
XStatus	XPm_ClockSetDivider	const u32 ClockId const u32 Divider
XStatus	XPm_ClockGetDivider	const u32 ClockId u32 *const Divider
XStatus	XPm_ClockSetParent	const u32 ClockId const u32 ParentIdx

Table 318: Quick Function Reference (cont'd)

Type	Name	Arguments
XStatus	XPm_ClockGetParent	const u32 ClockId u32 *const ParentIdx
int	XPm_ClockGetRate	const u32 ClockId u32 *const Rate
int	XPm_ClockSetRate	const u32 ClockId const u32 Rate
XStatus	XPm_PllSetParameter	const u32 ClockId const enum XPm_PllConfigParams ParamId const u32 Value
XStatus	XPm_PllGetParameter	const u32 ClockId const enum XPm_PllConfigParams ParamId u32 *const Value
XStatus	XPm_PllSetMode	const u32 ClockId const u32 Value
XStatus	XPm_PllGetMode	const u32 ClockId u32 *const Value
XStatus	XPm_SelfSuspend	const u32 DeviceId const u32 Latency const u8 State const u64 Address
XStatus	XPm_RequestWakeUp	const u32 TargetDevId const u8 SetAddress const u64 Address const u32 Ack
void	XPm_SuspendFinalize	void
XStatus	XPm_RequestSuspend	const u32 TargetSubsystemId const u32 Ack const u32 Latency const u32 State
XStatus	XPm_AbortSuspend	const enum XPmAbortReason Reason

Table 318: Quick Function Reference (cont'd)

Type	Name	Arguments
XStatus	XPm_ForcePowerDown	const u32 TargetDevId const u32 Ack
XStatus	XPm_SystemShutdown	const u32 Type const u32 SubType
XStatus	XPm_SetWakeUpSource	const u32 TargetDeviceId const u32 DeviceId const u32 Enable
XStatus	XPm_Query	const u32 QueryId const u32 Arg1 const u32 Arg2 const u32 Arg3 u32 *const Data
int	XPm_SetMaxLatency	const u32 DeviceId const u32 Latency
XStatus	XPm_GetOpCharacteristic	const u32 DeviceId const enum XPmOpCharType Type u32 *const Result
int	XPm_InitFinalize	void
int	XPm_RegisterNotifier	XPm_Notifier *const Notifier
int	XPm_UnregisterNotifier	XPm_Notifier *const Notifier
void	XPm_InitSuspendCb	const enum XPmSuspendReason Reason const u32 Latency const u32 State const u32 Timeout
void	XPm_AcknowledgeCb	const u32 Node const XStatus Status const u32 Oppoint
void	XPm_NotifyCb	const u32 Node const enum XPmNotifyEvent Event const u32 Oppoint

Table 318: Quick Function Reference (cont'd)

Type	Name	Arguments
XStatus	XPm_FeatureCheck	const u32 FeatureId u32 * Version

Functions

XPm_InitXilpm

Initialize xilpm library.

Prototype

```
XStatus XPm_InitXilpm(XIpiPsu *IpiInst);
```

Parameters

The following table lists the `XPm_InitXilpm` function arguments.

Table 319: XPm_InitXilpm Arguments

Type	Name	Description
XIpiPsu *	IpiInst	Pointer to IPI driver instance

Returns

XST_SUCCESS if successful else XST_FAILURE or an error code or a reason code

XPm_GetBootStatus

This Function returns information about the boot reason. If the boot is not a system startup but a resume, power down request bitfield for this processor will be cleared.

Prototype

```
enum
    XPmBootStatus
XPm_GetBootStatus(void);
```

Returns

Returns processor boot status

- PM_RESUME : If the boot reason is because of system resume.

- `PM_INITIAL_BOOT` : If this boot is the initial system startup.

XPm_GetChipID

This function is used to request the version and ID code of a chip.

Prototype

```
XStatus XPm_GetChipID(u32 *IDCode, u32 *Version);
```

Parameters

The following table lists the `XPm_GetChipID` function arguments.

Table 320: XPm_GetChipID Arguments

Type	Name	Description
u32 *	IDCode	Returns the chip ID code.
u32 *	Version	Returns the chip version.

Returns

`XST_SUCCESS` if successful else `XST_FAILURE` or an error code or a reason code

XPm_GetApiVersion

This function is used to request the version number of the API running on the platform management controller.

Prototype

```
XStatus XPm_GetApiVersion(u32 *Version);
```

Parameters

The following table lists the `XPm_GetApiVersion` function arguments.

Table 321: XPm_GetApiVersion Arguments

Type	Name	Description
Commented parameter version does not exist in function <code>XPm_GetApiVersion</code> .	version	Returns the API 32-bit version number.

Returns

XST_SUCCESS if successful else XST_FAILURE or an error code or a reason code

XPm_RequestNode

This function is used to request the device.

Prototype

```
XStatus XPm_RequestNode(const u32 DeviceId, const u32 Capabilities, const
u32 QoS, const u32 Ack);
```

Parameters

The following table lists the XPm_RequestNode function arguments.

Table 322: XPm_RequestNode Arguments

Type	Name	Description
const u32	DeviceId	Device which needs to be requested
const u32	Capabilities	Device Capabilities, can be combined <ul style="list-style-type: none"> • PM_CAP_ACCESS : full access / functionality • PM_CAP_CONTEXT : preserve context • PM_CAP_WAKEUP : emit wake interrupts
const u32	QoS	Quality of Service (0-100) required
const u32	Ack	Requested acknowledge type

Returns

XST_SUCCESS if successful else XST_FAILURE or an error code or a reason code

XPm_ReleaseNode

This function is used to release the requested device.

Prototype

```
XStatus XPm_ReleaseNode(const u32 DeviceId);
```

Parameters

The following table lists the XPm_ReleaseNode function arguments.

Table 323: XPm_ReleaseNode Arguments

Type	Name	Description
const u32	DeviceId	Device which needs to be released

Returns

XST_SUCCESS if successful else XST_FAILURE or an error code or a reason code

XPm_SetRequirement

This function is used to set the requirement for specified device.

Prototype

```
XStatus XPm_SetRequirement(const u32 DeviceId, const u32 Capabilities,
const u32 QoS, const u32 Ack);
```

Parameters

The following table lists the XPm_SetRequirement function arguments.

Table 324: XPm_SetRequirement Arguments

Type	Name	Description
const u32	DeviceId	Device for which requirement needs to be set
const u32	Capabilities	Device Capabilities, can be combined <ul style="list-style-type: none"> • PM_CAP_ACCESS : full access / functionality • PM_CAP_CONTEXT : preserve context • PM_CAP_WAKEUP : emit wake interrupts
const u32	QoS	Quality of Service (0-100) required
const u32	Ack	Requested acknowledge type

Returns

XST_SUCCESS if successful else XST_FAILURE or an error code or a reason code

XPm_GetNodeStatus

This function is used to get the device status.

Prototype

```
XStatus XPm_GetNodeStatus(const u32 DeviceId, XPm_NodeStatus *const
NodeStatus);
```

Parameters

The following table lists the `XPm_GetNodeStatus` function arguments.

Table 325: XPm_GetNodeStatus Arguments

Type	Name	Description
const u32	DeviceId	Device for which status is requested
<code>XPm_NodeStatus</code> *const	NodeStatus	Structure pointer to store device status <ul style="list-style-type: none"> • Status - The current power state of the device <ul style="list-style-type: none"> ◦ For CPU nodes: <ul style="list-style-type: none"> - 0 : if CPU is powered down, - 1 : if CPU is active (powered up), - 2 : if CPU is suspending (powered up) ◦ For power islands and power domains: <ul style="list-style-type: none"> - 0 : if island is powered down, - 1 : if island is powered up ◦ For slaves: <ul style="list-style-type: none"> - 0 : if slave is powered down, - 1 : if slave is powered up, - 2 : if slave is in retention • Requirement - Requirements placed on the device by the caller • Usage <ul style="list-style-type: none"> ◦ 0 : node is not used by any PU, ◦ 1 : node is used by caller exclusively, ◦ 2 : node is used by other PU(s) only, ◦ 3 : node is used by caller and by other PU(s)

Returns

XST_SUCCESS if successful else XST_FAILURE or an error code or a reason code

XPm_ResetAssert

This function is used to assert or release reset for a particular reset line. Alternatively a reset pulse can be requested as well.

Prototype

```
XStatus XPm_ResetAssert(const u32 ResetId, const u32 Action);
```


Parameters

The following table lists the `XPm_ResetAssert` function arguments.

Table 326: XPm_ResetAssert Arguments

Type	Name	Description
const u32	ResetId	Reset ID
const u32	Action	Reset action to be taken <ul style="list-style-type: none"> PM_RESET_ACTION_RELEASE for Release Reset PM_RESET_ACTION_ASSERT for Assert Reset PM_RESET_ACTION_PULSE for Pulse Reset

Returns

XST_SUCCESS if successful else XST_FAILURE or an error code or a reason code

XPm_ResetGetStatus

This function is used to get the status of reset.

Prototype

```
XStatus XPm_ResetGetStatus(const u32 ResetId, u32 *const State);
```

Parameters

The following table lists the `XPm_ResetGetStatus` function arguments.

Table 327: XPm_ResetGetStatus Arguments

Type	Name	Description
const u32	ResetId	Reset ID
u32 *const	State	Pointer to store the status of specified reset <ul style="list-style-type: none"> 1 for reset asserted 2 for reset released

Returns

XST_SUCCESS if successful else XST_FAILURE or an error code or a reason code

XPm_PinCtrlRequest

This function is used to request the pin.

Prototype

```
XStatus XPm_PinCtrlRequest(const u32 PinId);
```

Parameters

The following table lists the `XPm_PinCtrlRequest` function arguments.

Table 328: XPm_PinCtrlRequest Arguments

Type	Name	Description
const u32	PinId	Pin ID

Returns

XST_SUCCESS if successful else XST_FAILURE or an error code or a reason code

XPm_PinCtrlRelease

This function is used to release the pin.

Prototype

```
XStatus XPm_PinCtrlRelease(const u32 PinId);
```

Parameters

The following table lists the `XPm_PinCtrlRelease` function arguments.

Table 329: XPm_PinCtrlRelease Arguments

Type	Name	Description
const u32	PinId	Pin ID

Returns

XST_SUCCESS if successful else XST_FAILURE or an error code or a reason code

XPm_PinCtrlSetFunction

This function is used to set the function on specified pin.

Prototype

```
XStatus XPm_PinCtrlSetFunction(const u32 PinId, const u32 FunctionId);
```

Parameters

The following table lists the `XPm_PinCtrlSetFunction` function arguments.

Table 330: XPm_PinCtrlSetFunction Arguments

Type	Name	Description
const u32	PinId	Pin ID
const u32	FunctionId	Function ID which needs to be set

Returns

XST_SUCCESS if successful else XST_FAILURE or an error code or a reason code

XPm_PinCtrlGetFunction

This function is used to get the function on specified pin.

Prototype

```
XStatus XPm_PinCtrlGetFunction(const u32 PinId, u32 *const FunctionId);
```

Parameters

The following table lists the `XPm_PinCtrlGetFunction` function arguments.

Table 331: XPm_PinCtrlGetFunction Arguments

Type	Name	Description
const u32	PinId	Pin ID
u32 *const	FunctionId	Pointer to Function ID

Returns

XST_SUCCESS if successful else XST_FAILURE or an error code or a reason code

XPm_PinCtrlSetParameter

This function is used to set the pin parameter of specified pin.

The following table lists the parameter ID and their respective values:

ParamId	ParamVal
PINCTRL_CONFIG_SLEW_RATE	PINCTRL_SLEW_RATE_SLOW, PINCTRL_SLEW_RATE_FAST
PINCTRL_CONFIG_BIAS_STATUS	PINCTRL_BIAS_DISABLE, PINCTRL_BIAS_ENABLE
PINCTRL_CONFIG_PULL_CTRL	PINCTRL_BIAS_PULL_DOWN, PINCTRL_BIAS_PULL_UP
PINCTRL_CONFIG_SCHMITT_CMOS	PINCTRL_INPUT_TYPE_CMOS, PINCTRL_INPUT_TYPE_SCHMITT
PINCTRL_CONFIG_DRIVE_STRENGTH	PINCTRL_DRIVE_STRENGTH_TRISTATE, PINCTRL_DRIVE_STRENGTH_4MA, PINCTRL_DRIVE_STRENGTH_8MA, PINCTRL_DRIVE_STRENGTH_12MA
PINCTRL_CONFIG_TRI_STATE	PINCTRL_TRI_STATE_DISABLE, PINCTRL_TRI_STATE_ENABLE

Prototype

```
XStatus XPm_PinCtrlSetParameter(const u32 PinId, const u32 ParamId, const u32 ParamVal);
```

Parameters

The following table lists the `XPm_PinCtrlSetParameter` function arguments.

Table 332: `XPm_PinCtrlSetParameter` Arguments

Type	Name	Description
const u32	PinId	Pin ID
const u32	ParamId	Parameter ID
const u32	ParamVal	Value of the parameter

Returns

XST_SUCCESS if successful else XST_FAILURE or an error code or a reason code

XPm_PinCtrlGetParameter

This function is used to get the pin parameter of specified pin.

The following table lists the parameter ID and their respective values:

ParamId	ParamVal
PINCTRL_CONFIG_SLEW_RATE	PINCTRL_SLEW_RATE_SLOW, PINCTRL_SLEW_RATE_FAST
PINCTRL_CONFIG_BIAS_STATUS	PINCTRL_BIAS_DISABLE, PINCTRL_BIAS_ENABLE
PINCTRL_CONFIG_PULL_CTRL	PINCTRL_BIAS_PULL_DOWN, PINCTRL_BIAS_PULL_UP
PINCTRL_CONFIG_SCHMITT_CMOS	PINCTRL_INPUT_TYPE_CMOS, PINCTRL_INPUT_TYPE_SCHMITT

ParamId	ParamVal
PINCTRL_CONFIG_DRIVE_STRENGTH	PINCTRL_DRIVE_STRENGTH_TRISTATE, PINCTRL_DRIVE_STRENGTH_4MA, PINCTRL_DRIVE_STRENGTH_8MA, PINCTRL_DRIVE_STRENGTH_12MA
PINCTRL_CONFIG_VOLTAGE_STATUS	1 for 1.8v mode, 0 for 3.3v mode
PINCTRL_CONFIG_TRI_STATE	PINCTRL_TRI_STATE_DISABLE, PINCTRL_TRI_STATE_ENABLE

Prototype

```
XStatus XPm_PinCtrlGetParameter(const u32 PinId, const u32 ParamId, u32 *const ParamVal);
```

Parameters

The following table lists the `XPm_PinCtrlGetParameter` function arguments.

Table 333: XPm_PinCtrlGetParameter Arguments

Type	Name	Description
const u32	PinId	Pin ID
const u32	ParamId	Parameter ID
u32 *const	ParamVal	Pointer to the value of the parameter

Returns

XST_SUCCESS if successful else XST_FAILURE or an error code or a reason code

XPm_DevIoctl

This function performs driver-like IOCTL functions on shared system devices.

Prototype

```
XStatus XPm_DevIoctl(const u32 DeviceId, const pm_ioctl_id IoctlId, const u32 Arg1, const u32 Arg2, u32 *const Response);
```

Parameters

The following table lists the `XPm_DevIoctl` function arguments.

Table 334: XPm_DevIoctl Arguments

Type	Name	Description
const u32	DeviceId	ID of the device
const pm_ioctl_id	IoctlId	IOCTL function ID
const u32	Arg1	Argument 1

Table 334: XPm_DevIoctl Arguments (cont'd)

Type	Name	Description
const u32	Arg2	Argument 2
u32 *const	Response	Ioctl response

Returns

XST_SUCCESS if successful else XST_FAILURE or an error code or a reason code

XPm_ClockEnable

This function is used to enable the specified clock.

Prototype

```
XStatus XPm_ClockEnable(const u32 ClockId);
```

Parameters

The following table lists the XPm_ClockEnable function arguments.

Table 335: XPm_ClockEnable Arguments

Type	Name	Description
const u32	ClockId	Clock ID

Returns

XST_SUCCESS if successful else XST_FAILURE or an error code or a reason code

XPm_ClockDisable

This function is used to disable the specified clock.

Prototype

```
XStatus XPm_ClockDisable(const u32 ClockId);
```

Parameters

The following table lists the XPm_ClockDisable function arguments.

Table 336: XPm_ClockDisable Arguments

Type	Name	Description
const u32	ClockId	Clock ID

Returns

XST_SUCCESS if successful else XST_FAILURE or an error code or a reason code

XPm_ClockGetStatus

This function is used to get the state of specified clock.

Prototype

```
XStatus XPm_ClockGetStatus(const u32 ClockId, u32 *const State);
```

Parameters

The following table lists the XPm_ClockGetStatus function arguments.

Table 337: XPm_ClockGetStatus Arguments

Type	Name	Description
const u32	ClockId	Clock ID
u32 *const	State	Pointer to store the clock state <ul style="list-style-type: none"> 1 for enable and 0 for disable

Returns

XST_SUCCESS if successful else XST_FAILURE or an error code or a reason code

XPm_ClockSetDivider

This function is used to set the divider value for specified clock.

Prototype

```
XStatus XPm_ClockSetDivider(const u32 ClockId, const u32 Divider);
```

Parameters

The following table lists the XPm_ClockSetDivider function arguments.

Table 338: XPm_ClockSetDivider Arguments

Type	Name	Description
const u32	ClockId	Clock ID
const u32	Divider	Value of the divider

Returns

XST_SUCCESS if successful else XST_FAILURE or an error code or a reason code

XPm_ClockGetDivider

This function is used to get divider value for specified clock.

Prototype

```
XStatus XPm_ClockGetDivider(const u32 ClockId, u32 *const Divider);
```

Parameters

The following table lists the XPm_ClockGetDivider function arguments.

Table 339: XPm_ClockGetDivider Arguments

Type	Name	Description
const u32	ClockId	Clock ID
u32 *const	Divider	Pointer to store divider value

Returns

XST_SUCCESS if successful else XST_FAILURE or an error code or a reason code

XPm_ClockSetParent

This function is used to set the parent for specified clock.

Prototype

```
XStatus XPm_ClockSetParent(const u32 ClockId, const u32 ParentIdx);
```

Parameters

The following table lists the XPm_ClockSetParent function arguments.

Table 340: `XPm_ClockSetParent` Arguments

Type	Name	Description
const u32	ClockId	Clock ID
const u32	ParentIdx	Parent clock index

Returns

XST_SUCCESS if successful else XST_FAILURE or an error code or a reason code

XPm_ClockGetParent

This function is used to get the parent of specified clock.

Prototype

```
XStatus XPm_ClockGetParent(const u32 ClockId, u32 *const ParentIdx);
```

Parameters

The following table lists the `XPm_ClockGetParent` function arguments.

 Table 341: `XPm_ClockGetParent` Arguments

Type	Name	Description
const u32	ClockId	Clock ID
u32 *const	ParentIdx	Pointer to store the parent clock index

Returns

XST_SUCCESS if successful else XST_FAILURE or an error code or a reason code

XPm_ClockGetRate

This function is used to get rate of specified clock.

Prototype

```
int XPm_ClockGetRate(const u32 ClockId, u32 *const Rate);
```

Parameters

The following table lists the `XPm_ClockGetRate` function arguments.

Table 342: `XPm_ClockGetRate` Arguments

Type	Name	Description
const u32	ClockId	Clock ID
u32 *const	Rate	Pointer to store the rate clock

Returns

XST_SUCCESS if successful else XST_FAILURE or an error code or a reason code

XPm_ClockSetRate

This function is used to set the rate of specified clock.

Prototype

```
int XPm_ClockSetRate(const u32 ClockId, const u32 Rate);
```

Parameters

The following table lists the `XPm_ClockSetRate` function arguments.

 Table 343: `XPm_ClockSetRate` Arguments

Type	Name	Description
const u32	ClockId	Clock ID
const u32	Rate	Clock rate

Returns

XST_SUCCESS if successful else XST_FAILURE or an error code or a reason code

XPm_PllSetParameter

This function is used to set the parameters for specified PLL clock.

Prototype

```
XStatus XPm_PllSetParameter(const u32 ClockId, const enum  
XPm_PllConfigParams ParamId, const u32 Value);
```

Parameters

The following table lists the `XPm_PllSetParameter` function arguments.

Table 344: XPm_PllSetParameter Arguments

Type	Name	Description
const u32	ClockId	Clock ID
const enum XPm_PllConfigParams	ParamId	Parameter ID <ul style="list-style-type: none"> • PM_PLL_PARAM_ID_DIV2 • PM_PLL_PARAM_ID_FBDIV • PM_PLL_PARAM_ID_DATA • PM_PLL_PARAM_ID_PRE_SRC • PM_PLL_PARAM_ID_POST_SRC • PM_PLL_PARAM_ID_LOCK_DLY • PM_PLL_PARAM_ID_LOCK_CNT • PM_PLL_PARAM_ID_LFHF • PM_PLL_PARAM_ID_CP • PM_PLL_PARAM_ID_RES
const u32	Value	Value of parameter (See register description for possible values)

Returns

XST_SUCCESS if successful else XST_FAILURE or an error code or a reason code

XPm_PllGetParameter

This function is used to get the parameter of specified PLL clock.

Prototype

```
XStatus XPm_PllGetParameter(const u32 ClockId, const enum
XPm_PllConfigParams ParamId, u32 *const Value);
```

Parameters

The following table lists the XPm_PllGetParameter function arguments.

Table 345: XPm_PllGetParameter Arguments

Type	Name	Description
const u32	ClockId	Clock ID

Table 345: **XPm_PllGetParameter Arguments** (cont'd)

Type	Name	Description
const enum XPm_PllConfigParams	ParamId	Parameter ID <ul style="list-style-type: none"> • PM_PLL_PARAM_ID_DIV2 • PM_PLL_PARAM_ID_FBDIV • PM_PLL_PARAM_ID_DATA • PM_PLL_PARAM_ID_PRE_SRC • PM_PLL_PARAM_ID_POST_SRC • PM_PLL_PARAM_ID_LOCK_DLY • PM_PLL_PARAM_ID_LOCK_CNT • PM_PLL_PARAM_ID_LFHF • PM_PLL_PARAM_ID_CP • PM_PLL_PARAM_ID_RES
u32 *const	Value	Pointer to store parameter value (See register description for possible values)

Returns

XST_SUCCESS if successful else XST_FAILURE or an error code or a reason code

XPm_PllSetMode

This function is used to set the mode of specified PLL clock.

Prototype

```
XStatus XPm_PllSetMode(const u32 ClockId, const u32 Value);
```

Parameters

The following table lists the XPm_PllSetMode function arguments.

 Table 346: **XPm_PllSetMode Arguments**

Type	Name	Description
const u32	ClockId	Clock ID
const u32	Value	Mode which need to be set <ul style="list-style-type: none"> • 0 for Reset mode • 1 for Integer mode • 2 for Fractional mode

Returns

XST_SUCCESS if successful else XST_FAILURE or an error code or a reason code

XPm_PllGetMode

This function is used to get the mode of specified PLL clock.

Prototype

```
XStatus XPm_PllGetMode(const u32 ClockId, u32 *const Value);
```

Parameters

The following table lists the XPm_PllGetMode function arguments.

Table 347: XPm_PllGetMode Arguments

Type	Name	Description
const u32	ClockId	Clock ID
u32 *const	Value	Pointer to store the value of mode <ul style="list-style-type: none"> • 0 for Reset mode • 1 for Integer mode • 2 for Fractional mode

Returns

XST_SUCCESS if successful else XST_FAILURE or an error code or a reason code

XPm_SelfSuspend

This function is used by a CPU to declare that it is about to suspend itself.

Prototype

```
XStatus XPm_SelfSuspend(const u32 DeviceId, const u32 Latency, const u8 State, const u64 Address);
```

Parameters

The following table lists the XPm_SelfSuspend function arguments.

Table 348: XPm_SelfSuspend Arguments

Type	Name	Description
const u32	DeviceId	Device ID of the CPU
const u32	Latency	Maximum wake-up latency requirement in us(microsecs)
const u8	State	Instead of specifying a maximum latency, a CPU can also explicitly request a certain power state.
const u64	Address	Address from which to resume when woken up.

Returns

XST_SUCCESS if successful else XST_FAILURE or an error code or a reason code

XPm_RequestWakeUp

This function can be used to request power up of a CPU node within the same PU, or to power up another PU.

Prototype

```
XStatus XPm_RequestWakeUp(const u32 TargetDevId, const u8 SetAddress, const u64 Address, const u32 Ack);
```

Parameters

The following table lists the XPm_RequestWakeUp function arguments.

Table 349: XPm_RequestWakeUp Arguments

Type	Name	Description
const u32	TargetDevId	Device ID of the CPU or PU to be powered/woken up.
const u8	SetAddress	Specifies whether the start address argument is being passed. <ul style="list-style-type: none"> • 0 : do not set start address • 1 : set start address
const u64	Address	Address from which to resume when woken up. Will only be used if set_address is 1.
const u32	Ack	Requested acknowledge type

Returns

XST_SUCCESS if successful else XST_FAILURE or an error code or a reason code

XPm_SuspendFinalize

This Function waits for firmware to finish all previous API requests sent by the PU and performs client specific actions to finish suspend procedure (e.g. execution of wfi instruction on A72 and R5 processors).

Note: This function should not return if the suspend procedure is successful.

Prototype

```
void XPm_SuspendFinalize(void);
```

Returns

XPm_RequestSuspend

This function is used by a CPU to request suspend to another CPU.

Prototype

```
XStatus XPm_RequestSuspend(const u32 TargetSubsystemId, const u32 Ack,
const u32 Latency, const u32 State);
```

Parameters

The following table lists the `XPm_RequestSuspend` function arguments.

Table 350: XPm_RequestSuspend Arguments

Type	Name	Description
const u32	TargetSubsystemId	Subsystem ID of the target
const u32	Ack	Requested acknowledge type
const u32	Latency	Maximum wake-up latency requirement in us(microsecs)
const u32	State	Power State

Returns

XST_SUCCESS if successful else XST_FAILURE or an error code or a reason code

XPm_AbortSuspend

This function is called by a CPU after a SelfSuspend call to notify the platform management controller that CPU has aborted suspend or in response to an init suspend request when the PU refuses to suspend.

Prototype

```
XStatus XPm_AbortSuspend(const enum XPmAbortReason Reason);
```

Parameters

The following table lists the `XPm_AbortSuspend` function arguments.

Table 351: XPm_AbortSuspend Arguments

Type	Name	Description
Commented parameter reason does not exist in function <code>XPm_AbortSuspend</code> .	reason	Reason code why the suspend can not be performed or completed <ul style="list-style-type: none"> ABORT_REASON_WKUP_EVENT : local wakeup-event received ABORT_REASON_PU_BUSY : PU is busy ABORT_REASON_NO_PWRDN : no external powerdown supported ABORT_REASON_UNKNOWN : unknown error during suspend procedure

Returns

XST_SUCCESS if successful else XST_FAILURE or an error code or a reason code

XPm_ForcePowerDown

This function is used by PU to request a forced poweroff of another PU or its power island or power domain. This can be used for killing an unresponsive PU, in which case all resources of that PU will be automatically released.

Note: Force power down may not be requested by a PU for itself.

Prototype

```
XStatus XPm_ForcePowerDown(const u32 TargetDevId, const u32 Ack);
```

Parameters

The following table lists the `XPm_ForcePowerDown` function arguments.

Table 352: XPm_ForcePowerDown Arguments

Type	Name	Description
const u32	TargetDevId	Device ID of the PU node to be forced powered down.
const u32	Ack	Requested acknowledge type

Returns

XST_SUCCESS if successful else XST_FAILURE or an error code or a reason code

XPm_SystemShutdown

This function can be used by a privileged PU to shut down or restart the complete device.

Prototype

```
XStatus XPm_SystemShutdown(const u32 Type, const u32 SubType);
```

Parameters

The following table lists the `XPm_SystemShutdown` function arguments.

Table 353: XPm_SystemShutdown Arguments

Type	Name	Description
const u32	Type	Shutdown type (shutdown/restart)
const u32	SubType	Shutdown subtype (subsystem-only/PU-only/system)

Returns

XST_SUCCESS if successful else XST_FAILURE or an error code or a reason code

XPm_SetWakeUpSource

This function is used by a CPU to set wakeup source.

Prototype

```
XStatus XPm_SetWakeUpSource(const u32 TargetDeviceId, const u32 DeviceId, const u32 Enable);
```

Parameters

The following table lists the `XPm_SetWakeUpSource` function arguments.

Table 354: XPm_SetWakeUpSource Arguments

Type	Name	Description
const u32	TargetDeviceId	Device ID of the target
const u32	DeviceId	Device ID used as wakeup source
const u32	Enable	1 - Enable, 0 - Disable

Returns

XST_SUCCESS if successful else XST_FAILURE or an error code or a reason code

XPm_Query

This function queries information about the platform resources.

Prototype

```
XStatus XPm_Query(const u32 QueryId, const u32 Arg1, const u32 Arg2, const
u32 Arg3, u32 *const Data);
```

Parameters

The following table lists the `XPm_Query` function arguments.

Table 355: XPm_Query Arguments

Type	Name	Description
Commented parameter Qid does not exist in function XPm_Query.	Qid	The type of data to query
const u32	Arg1	Query argument 1
const u32	Arg2	Query argument 2
const u32	Arg3	Query argument 3
u32 *const	Data	Pointer to the output data

Returns

XST_SUCCESS if successful else XST_FAILURE or an error code or a reason code

XPm_SetMaxLatency

This function is used by a CPU to announce a change in the maximum wake-up latency requirements for a specific device currently used by that CPU.

Note: Setting maximum wake-up latency can constrain the set of possible power states a resource can be put into.

Prototype

```
int XPm_SetMaxLatency(const u32 DeviceId, const u32 Latency);
```

Parameters

The following table lists the `XPm_SetMaxLatency` function arguments.

Table 356: XPm_SetMaxLatency Arguments

Type	Name	Description
const u32	DeviceId	Device ID.
const u32	Latency	Maximum wake-up latency required.

Returns

XST_SUCCESS if successful else XST_FAILURE or an error code or a reason code

XPm_GetOpCharacteristic

Call this function to request the power management controller to return information about an operating characteristic of a component.

Prototype

```
XStatus XPm_GetOpCharacteristic(const u32 DeviceId, const enum XPmOpCharType Type, u32 *const Result);
```

Parameters

The following table lists the XPm_GetOpCharacteristic function arguments.

Table 357: XPm_GetOpCharacteristic Arguments

Type	Name	Description
const u32	DeviceId	Device ID.
const enum XPmOpCharType	Type	Type of operating characteristic requested: <ul style="list-style-type: none"> power (current power consumption), latency (current latency in us to return to active state), temperature (current temperature),
u32 *const	Result	Used to return the requested operating characteristic.

Returns

XST_SUCCESS if successful else XST_FAILURE or an error code or a reason code

XPm_InitFinalize

This function is called to notify the power management controller about the completed power management initialization.

Prototype

```
int XPm_InitFinalize(void);
```

Returns

XST_SUCCESS if successful, otherwise an error code

XPm_RegisterNotifier

A PU can call this function to request that the power management controller call its notify callback whenever a qualifying event occurs. One can request to be notified for a specific or any event related to a specific node.

Note: The caller shall initialize the notifier object before invoking the XPm_RegisteredNotifier function. While notifier is registered, the notifier object shall not be modified by the caller.

Prototype

```
int XPm_RegisterNotifier(XPm_Notifier *const Notifier);
```

Parameters

The following table lists the XPm_RegisterNotifier function arguments.

Table 358: XPm_RegisterNotifier Arguments

Type	Name	Description
<code>XPm_Notifier *const</code>	Notifier	Pointer to the notifier object to be associated with the requested notification.

Returns

XST_SUCCESS if successful else XST_FAILURE or an error code or a reason code

XPm_UnregisterNotifier

A PU calls this function to unregister for the previously requested notifications.

Prototype

```
int XPm_UnregisterNotifier(XPm_Notifier *const Notifier);
```

Parameters

The following table lists the XPm_UnregisterNotifier function arguments.

Table 359: XPm_UnregisterNotifier Arguments

Type	Name	Description
<code>XPm_Notifier *const</code>	Notifier	Pointer to the notifier object associated with the previously requested notification

Returns

XST_SUCCESS if successful else XST_FAILURE or an error code or a reason code

XPm_InitSuspendCb

Callback function to be implemented in each PU, allowing the power management controller to request that the PU suspend itself.

Note: If the PU fails to act on this request the power management controller or the requesting PU may choose to employ the forceful power down option.

Prototype

```
void XPm_InitSuspendCb(const enum XPmSuspendReason Reason, const u32 Latency, const u32 State, const u32 Timeout);
```

Parameters

The following table lists the `XPm_InitSuspendCb` function arguments.

Table 360: XPm_InitSuspendCb Arguments

Type	Name	Description
const enum XPmSuspendReason	Reason	Suspend reason: <ul style="list-style-type: none"> SUSPEND_REASON_PU_REQ : Request by another PU SUSPEND_REASON_ALERT : Unrecoverable SysMon alert SUSPEND_REASON_SHUTDOWN : System shutdown SUSPEND_REASON_RESTART : System restart
const u32	Latency	Maximum wake-up latency in us(micro secs). This information can be used by the PU to decide what level of context saving may be required.
const u32	State	Targeted sleep/suspend state.
const u32	Timeout	Timeout in ms, specifying how much time a PU has to initiate its suspend procedure before it's being considered unresponsive.

Returns

None

XPm_AcknowledgeCb

This function is called by the power management controller in response to any request where an acknowledge callback was requested, i.e. where the 'ack' argument passed by the PU was REQUEST_ACK_NON_BLOCKING.

Prototype

```
void XPm_AcknowledgeCb(const u32 Node, const XStatus Status, const u32 Oppoint);
```

Parameters

The following table lists the `XPm_AcknowledgeCb` function arguments.

Table 361: XPm_AcknowledgeCb Arguments

Type	Name	Description
const u32	Node	ID of the component or sub-system in question.
const XStatus	Status	Status of the operation: <ul style="list-style-type: none"> OK: the operation completed successfully ERR: the requested operation failed
const u32	Oppoint	Operating point of the node in question

Returns

None

XPm_NotifyCb

This function is called by the power management controller if an event the PU was registered for has occurred. It will populate the notifier data structure passed when calling `XPm_RegisterNotifier`.

Prototype

```
void XPm_NotifyCb(const u32 Node, const enum XPmNotifyEvent Event, const u32 Oppoint);
```

Parameters

The following table lists the `XPm_NotifyCb` function arguments.

Table 362: XPm_NotifyCb Arguments

Type	Name	Description
const u32	Node	ID of the device the event notification is related to.
const enum XPmNotifyEvent	Event	ID of the event
const u32	Oppoint	Current operating state of the device.

Returns

None

XPm_FeatureCheck

This function queries information about the feature version.

Prototype

```
XStatus XPm_FeatureCheck(const u32 FeatureId, u32 *Version);
```

Parameters

The following table lists the `XPm_FeatureCheck` function arguments.

Table 363: XPm_FeatureCheck Arguments

Type	Name	Description
const u32	FeatureId	The feature ID (API-ID)
u32 *	Version	Pointer to the output data where version of feature store. For the supported feature get non zero value in version, But if version is 0U that means feature not supported.

Returns

XST_SUCCESS if successful else XST_FAILURE or an error code or a reason code

Enumerations

Enumeration XPmAbortReason

PM abort reasons

Table 364: Enumeration XPmAbortReason Values

Value	Description
ABORT_REASON_WKUP_EVENT	Wakeup Event

Table 364: Enumeration XPmAbortReason Values (cont'd)

Value	Description
ABORT_REASON_PU_BUSY	Processor Busy
ABORT_REASON_NO_PWRDN	No Powerdown
ABORT_REASON_UNKNOWN	Unknown Reason
ABORT_REASON_WKUP_EVENT	Wakeup Event
ABORT_REASON_PU_BUSY	Processor Busy
ABORT_REASON_NO_PWRDN	No Powerdown
ABORT_REASON_UNKNOWN	Unknown Reason

Enumeration XPmBootStatus

Boot status enumeration.

Table 365: Enumeration XPmBootStatus Values

Value	Description
PM_INITIAL_BOOT	boot is a fresh system startup
PM_RESUME	boot is a resume
PM_BOOT_ERROR	error, boot cause cannot be identified
PM_INITIAL_BOOT	boot is a fresh system startup
PM_RESUME	boot is a resume
PM_BOOT_ERROR	error, boot cause cannot be identified

Enumeration XPmCapability

Device capability requirements enumeration.

Table 366: Enumeration XPmCapability Values

Value	Description
PM_CAP_ACCESS	Full access
PM_CAP_CONTEXT	Configuration and contents retained
PM_CAP_WAKEUP	Enabled as a wake-up source
PM_CAP_UNUSABLE	Not usable
PM_CAP_SECURE	Secure access type (non-secure/secure)
PM_CAP_COHERENT	Device Coherency
PM_CAP_VIRTUALIZED	Device Virtualization

Enumeration XPmDeviceUsage

Usage status, returned by PmGetNodeStatus

Table 367: Enumeration XPmDeviceUsage Values

Value	Description
PM_USAGE_CURRENT_SUBSYSTEM	Current subsystem is using
PM_USAGE_OTHER_SUBSYSTEM	Other subsystem is using

Enumeration XPmResetActions

Reset configuration argument

Table 368: Enumeration XPmResetActions Values

Value	Description
PM_RESET_ACTION_RELEASE	Reset action release
PM_RESET_ACTION_ASSERT	Reset action assert
PM_RESET_ACTION_PULSE	Reset action pulse

Enumeration XPmSuspendReason

Suspend reasons

Table 369: Enumeration XPmSuspendReason Values

Value	Description
SUSPEND_REASON_PU_REQ	Processor request
SUSPEND_REASON_ALERT	Alert
SUSPEND_REASON_SYS_SHUTDOWN	System shutdown
SUSPEND_REASON_PU_REQ	Processor request
SUSPEND_REASON_SYS_SHUTDOWN	Alert System shutdown

Enumeration XPmApiCbId_t

PM API callback IDs

Table 370: Enumeration XPmApiCbId_t Values

Value	Description
PM_INIT_SUSPEND_CB	Suspend callback
PM_ACKNOWLEDGE_CB	Acknowledge callback
PM_NOTIFY_CB	Notify callback

Enumeration pm_query_id

Query IDs

Table 371: Enumeration pm_query_id Values

Value	Description
XPM_QID_INVALID	Invalid Query ID
XPM_QID_CLOCK_GET_NAME	Get clock name
XPM_QID_CLOCK_GET_TOPOLOGY	Get clock topology
XPM_QID_CLOCK_GET_FIXEDFACTOR_PARAMS	Get clock fixedfactor parameter
XPM_QID_CLOCK_GET_MUXSOURCES	Get clock mux sources
XPM_QID_CLOCK_GET_ATTRIBUTES	Get clock attributes
XPM_QID_PINCTRL_GET_NUM_PINS	Get total pins
XPM_QID_PINCTRL_GET_NUM_FUNCTIONS	Get total pin functions
XPM_QID_PINCTRL_GET_NUM_FUNCTION_GROUPS	Get total pin function groups
XPM_QID_PINCTRL_GET_FUNCTION_NAME	Get pin function name
XPM_QID_PINCTRL_GET_FUNCTION_GROUPS	Get pin function groups
XPM_QID_PINCTRL_GET_PIN_GROUPS	Get pin groups
XPM_QID_CLOCK_GET_NUM_CLOCKS	Get number of clocks
XPM_QID_CLOCK_GET_MAX_DIVISOR	Get max clock divisor
XPM_QID_PLD_GET_PARENT	Get PLD parent

Enumeration PmPinFunIds

Pin Function IDs

Table 372: Enumeration PmPinFunIds Values

Value	Description
PIN_FUNC_SPI0	Pin function ID of SPI0
PIN_FUNC_SPI0_SS	Pin function ID of SPI0_SS
PIN_FUNC_SPI1	Pin function ID of SPI1
PIN_FUNC_SPI1_SS	Pin function ID of SPI1_SS
PIN_FUNC_CAN0	Pin function ID of CAN0
PIN_FUNC_CAN1	Pin function ID of CAN1
PIN_FUNC_I2C0	Pin function ID of I2C0
PIN_FUNC_I2C1	Pin function ID of I2C1
PIN_FUNC_I2C_PMC	Pin function ID of I2C_PMC
PIN_FUNC_TTC0_CLK	Pin function ID of TTC0_CLK
PIN_FUNC_TTC0_WAV	Pin function ID of TTC0_WAV
PIN_FUNC_TTC1_CLK	Pin function ID of TTC1_CLK
PIN_FUNC_TTC1_WAV	Pin function ID of TTC1_WAV
PIN_FUNC_TTC2_CLK	Pin function ID of TTC2_CLK
PIN_FUNC_TTC2_WAV	Pin function ID of TTC2_WAV
PIN_FUNC_TTC3_CLK	Pin function ID of TTC3_CLK

Table 372: Enumeration PmPinFunIds Values (cont'd)

Value	Description
PIN_FUNC_TTC3_WAV	Pin function ID of TTC3_WAV
PIN_FUNC_WWDT0	Pin function ID of WWDT0
PIN_FUNC_WWDT1	Pin function ID of WWDT1
PIN_FUNC_SYSMON_I2C0	Pin function ID of SYSMON_I2C0
PIN_FUNC_SYSMON_I2C0_ALERT	Pin function ID of SYSMON_I2C0_AL
PIN_FUNC_UART0	Pin function ID of UART0
PIN_FUNC_UART0_CTRL	Pin function ID of UART0_CTRL
PIN_FUNC_UART1	Pin function ID of UART1
PIN_FUNC_UART1_CTRL	Pin function ID of UART1_CTRL
PIN_FUNC_GPIO0	Pin function ID of GPIO0
PIN_FUNC_GPIO1	Pin function ID of GPIO1
PIN_FUNC_GPIO2	Pin function ID of GPIO2
PIN_FUNC_EMIO0	Pin function ID of EMIO0
PIN_FUNC_GEM0	Pin function ID of GEM0
PIN_FUNC_GEM1	Pin function ID of GEM1
PIN_FUNC_TRACE0	Pin function ID of TRACE0
PIN_FUNC_TRACE0_CLK	Pin function ID of TRACE0_CLK
PIN_FUNC_MDIO0	Pin function ID of MDIO0
PIN_FUNC_MDIO1	Pin function ID of MDIO1
PIN_FUNC_GEM_TSU0	Pin function ID of GEM_TSU0
PIN_FUNC_PCIE0	Pin function ID of PCIE0
PIN_FUNC_SMAP0	Pin function ID of SMAPO
PIN_FUNC_USB0	Pin function ID of USB0
PIN_FUNC_SD0	Pin function ID of SD0
PIN_FUNC_SD0_PC	Pin function ID of SD0_PC
PIN_FUNC_SD0_CD	Pin function ID of SD0_CD
PIN_FUNC_SD0_WP	Pin function ID of SD0_WP
PIN_FUNC_SD1	Pin function ID of SD1
PIN_FUNC_SD1_PC	Pin function ID of SD1_PC
PIN_FUNC_SD1_CD	Pin function ID of SD1_CD
PIN_FUNC_SD1_WP	Pin function ID of SD1_WP
PIN_FUNC_OSPI0	Pin function ID of OSPI0
PIN_FUNC_OSPI0_SS	Pin function ID of OSPI0_SS
PIN_FUNC_QSPI0	Pin function ID of QSPI0
PIN_FUNC_QSPI0_FBCLK	Pin function ID of QSPI0_FBCLK
PIN_FUNC_QSPI0_SS	Pin function ID of QSPI0_SS
PIN_FUNC_TEST_CLK	Pin function ID of TEST_CLK
PIN_FUNC_TEST_SCAN	Pin function ID of TEST_SCAN
PIN_FUNC_TAMPER_TRIGGER	Pin function ID of TAMPER_TRIGGER

Table 372: Enumeration PmPinFunIds Values (cont'd)

Value	Description
MAX_FUNCTION	Max Pin function

Enumeration pm_pinctrl_config_param

Pin Control Configuration

Table 373: Enumeration pm_pinctrl_config_param Values

Value	Description
PINCTRL_CONFIG_SLEW_RATE	Pin config slew rate
PINCTRL_CONFIG_BIAS_STATUS	Pin config bias status
PINCTRL_CONFIG_PULL_CTRL	Pin config pull control
PINCTRL_CONFIG_SCHMITT_CMOS	Pin config schmitt CMOS
PINCTRL_CONFIG_DRIVE_STRENGTH	Pin config drive strength
PINCTRL_CONFIG_VOLTAGE_STATUS	Pin config voltage status
PINCTRL_CONFIG_TRI_STATE	Pin config tri state
PINCTRL_CONFIG_MAX	Max Pin config

Enumeration pm_pinctrl_slew_rate

Pin Control Slew Rate

Table 374: Enumeration pm_pinctrl_slew_rate Values

Value	Description
PINCTRL_SLEW_RATE_FAST	Fast slew rate
PINCTRL_SLEW_RATE_SLOW	Slow slew rate

Enumeration pm_pinctrl_bias_status

Pin Control Bias Status

Table 375: Enumeration pm_pinctrl_bias_status Values

Value	Description
PINCTRL_BIAS_DISABLE	Bias disable
PINCTRL_BIAS_ENABLE	Bias enable

Enumeration pm_pinctrl_pull_ctrl

Pin Control Pull Control

Table 376: Enumeration pm_pinctrl_pull_ctrl Values

Value	Description
PINCTRL_BIAS_PULL_DOWN	Bias pull-down
PINCTRL_BIAS_PULL_UP	Bias pull-up

Enumeration pm_pinctrl_schmitt_cmos

Pin Control Input Type

Table 377: Enumeration pm_pinctrl_schmitt_cmos Values

Value	Description
PINCTRL_INPUT_TYPE_CMOS	Input type CMOS
PINCTRL_INPUT_TYPE_SCHMITT	Input type SCHMITT

Enumeration pm_pinctrl_drive_strength

Pin Control Drive Strength

Table 378: Enumeration pm_pinctrl_drive_strength Values

Value	Description
PINCTRL_DRIVE_STRENGTH_TRISTATE	tri-state
PINCTRL_DRIVE_STRENGTH_4MA	4mA
PINCTRL_DRIVE_STRENGTH_8MA	8mA
PINCTRL_DRIVE_STRENGTH_12MA	12mA
PINCTRL_DRIVE_STRENGTH_MAX	Max value

Enumeration pm_pinctrl_tri_state

Pin Control Tri State

Table 379: Enumeration pm_pinctrl_tri_state Values

Value	Description
PINCTRL_TRI_STATE_DISABLE	Tri state disable
PINCTRL_TRI_STATE_ENABLE	Tri state enable

Enumeration pm_ioctl_id

IOCTL IDs

Table 380: Enumeration pm_ioctl_id Values

Value	Description
IOCTL_GET_RPU_OPER_MODE	Get RPU mode
IOCTL_SET_RPU_OPER_MODE	Set RPU mode
IOCTL_RPU_BOOT_ADDR_CONFIG	RPU boot address config
IOCTL_TCM_COMB_CONFIG	TCM config
IOCTL_SET_TAPDELAY_BYPASS	TAP delay bypass
IOCTL_SET_SGMII_MODE	SGMII mode
IOCTL_SD_DLL_RESET	SD DLL reset
IOCTL_SET_SD_TAPDELAY	SD TAP delay
IOCTL_SET_PLL_FRAC_MODE	Set PLL frac mode
IOCTL_GET_PLL_FRAC_MODE	Get PLL frac mode
IOCTL_SET_PLL_FRAC_DATA	Set PLL frac data
IOCTL_GET_PLL_FRAC_DATA	Get PLL frac data
IOCTL_WRITE_GGS	Write GGS
IOCTL_READ_GGS	Read GGS
IOCTL_WRITE_PGGS	Write PGGS
IOCTL_READ_PGGS	Read PGGS
IOCTL_ULPI_RESET	ULPI reset
IOCTL_SET_BOOT_HEALTH_STATUS	Set boot status
IOCTL_AFI	AFI
IOCTL_PROBE_COUNTER_READ	Probe counter read
IOCTL_PROBE_COUNTER_WRITE	Probe counter write
IOCTL_OSPI_MUX_SELECT	OSPI mux select
IOCTL_USB_SET_STATE	USB set state
IOCTL_GET_LAST_RESET_REASON	Get last reset reason
IOCTL_AIE_ISR_CLEAR	AIE ISR clear

Enumeration XPm_PllConfigParams

PLL parameters

Table 381: Enumeration XPm_PllConfigParams Values

Value	Description
PM_PLL_PARAM_ID_DIV2	PLL param ID DIV2
PM_PLL_PARAM_ID_FBDIV	PLL param ID FBDIV
PM_PLL_PARAM_ID_DATA	PLL param ID DATA
PM_PLL_PARAM_ID_PRE_SRC	PLL param ID PRE_SRC
PM_PLL_PARAM_ID_POST_SRC	PLL param ID POST_SRC
PM_PLL_PARAM_ID_LOCK_DLY	PLL param ID LOCK_DLY

Table 381: Enumeration XPm_PllConfigParams Values (cont'd)

Value	Description
PM_PLL_PARAM_ID_LOCK_CNT	PLL param ID LOCK_CNT
PM_PLL_PARAM_ID_LFHF	PLL param ID LFHF
PM_PLL_PARAM_ID_CP	PLL param ID CP
PM_PLL_PARAM_ID_RES	PLL param ID RES
PM_PLL_PARAM_MAX	PLL param ID max

Enumeration XPmPllMode

PLL modes

Table 382: Enumeration XPmPllMode Values

Value	Description
PM_PLL_MODE_INTEGER	PLL mode integer
PM_PLL_MODE_FRACTIONAL	PLL mode fractional
PM_PLL_MODE_RESET	PLL mode reset
PM_PLL_MODE_RESET	PLL mode reset
PM_PLL_MODE_INTEGER	PLL mode integer
PM_PLL_MODE_FRACTIONAL	PLL mode fractional

Enumeration XPmInitFunctions

PM init node functions

Table 383: Enumeration XPmInitFunctions Values

Value	Description
FUNC_INIT_START	Function ID INIT_START
FUNC_INIT_FINISH	Function ID INIT_FINISH
FUNC_SCAN_CLEAR	Function ID SCAN_CLEAR
FUNC_BISR	Function ID BISR
FUNC_LBIST	Function ID LBIST
FUNC_MEM_INIT	Function ID MEM_INIT
FUNC_MBIST_CLEAR	Function ID MBIST_CLEAR
FUNC_HOUSECLEAN_PL	Function ID HOUSECLEAN_PL
FUNC_HOUSECLEAN_COMPLETE	Function ID HOUSECLEAN_COMPLETE
FUNC_MAX_COUNT_PMINIT	Function ID MAX

Enumeration XPmOpCharType

PM operating characteristic types

Table 384: Enumeration XPmOpCharType Values

Value	Description
PM_OPCHAR_TYPE_POWER	Operating characteristic ID power
PM_OPCHAR_TYPE_TEMP	Operating characteristic ID temperature
PM_OPCHAR_TYPE_LATENCY	Operating characteristic ID latency
PM_OPCHAR_TYPE_POWER	Operating characteristic ID power
PM_OPCHAR_TYPE_TEMP	Operating characteristic ID temperature
PM_OPCHAR_TYPE_LATENCY	Operating characteristic ID latency

Enumeration XPmNotifyEvent

PM notify events

Table 385: Enumeration XPmNotifyEvent Values

Value	Description
EVENT_STATE_CHANGE	State change event
EVENT_ZERO_USERS	Zero user event
EVENT_STATE_CHANGE	State change event
EVENT_ZERO_USERS	Zero user event

Enumeration XPm_ApiId

PM API IDs

Table 386: Enumeration XPm_ApiId Values

Value	Description
PM_API_MIN	0x0
PM_GET_API_VERSION	0x1
PM_SET_CONFIGURATION	0x2
PM_GET_NODE_STATUS	0x3
PM_GET_OP_CHARACTERISTIC	0x4
PM_REGISTER_NOTIFIER	0x5
PM_REQUEST_SUSPEND	0x6
PM_SELF_SUSPEND	0x7
PM_FORCE_POWERDOWN	0x8
PM_ABORT_SUSPEND	0x9

Table 386: Enumeration XPm_ApiId Values (cont'd)

Value	Description
PM_REQUEST_WAKEUP	0xA
PM_SET_WAKEUP_SOURCE	0xB
PM_SYSTEM_SHUTDOWN	0xC
PM_REQUEST_NODE	0xD
PM_RELEASE_NODE	0xE
PM_SET_REQUIREMENT	0xF
PM_SET_MAX_LATENCY	0x10
PM_RESET_ASSERT	0x11
PM_RESET_GET_STATUS	0x12
PM_MMIO_WRITE	0x13
PM_MMIO_READ	0x14
PM_INIT_FINALIZE	0x15
PM_FPGA_LOAD	0x16
PM_FPGA_GET_STATUS	0x17
PM_GET_CHIPID	0x18
PM_SECURE_RSA_AES	0x19
PM_SECURE_SHA	0x1A
PM_SECURE_RSA	0x1B
PM_PINCTRL_REQUEST	0x1C
PM_PINCTRL_RELEASE	0x1D
PM_PINCTRL_GET_FUNCTION	0x1E
PM_PINCTRL_SET_FUNCTION	0x1F
PM_PINCTRL_CONFIG_PARAM_GET	0x20
PM_PINCTRL_CONFIG_PARAM_SET	0x21
PM_IOCTL	0x22
PM_QUERY_DATA	0x23
PM_CLOCK_ENABLE	0x24
PM_CLOCK_DISABLE	0x25
PM_CLOCK_GETSTATE	0x26
PM_CLOCK_SETDIVIDER	0x27
PM_CLOCK_GETDIVIDER	0x28
PM_CLOCK_SETRATE	0x29
PM_CLOCK_GETRATE	0x2A
PM_CLOCK_SETPARENT	0x2B
PM_CLOCK_GETPARENT	0x2C
PM_SECURE_IMAGE	0x2D
PM_FPGA_READ	0x2E
PM_API_RESERVED_1	0x2F
PM_PLL_SET_PARAMETER	0x30

Table 386: Enumeration XPm_ApiId Values (cont'd)

Value	Description
PM_PLL_GET_PARAMETER	0x31
PM_PLL_SET_MODE	0x32
PM_PLL_GET_MODE	0x33
PM_REGISTER_ACCESS	0x34
PM_EFUSE_ACCESS	0x35
PM_ADD_SUBSYSTEM	0x36
PM_DESTROY_SUBSYSTEM	0x37
PM_DESCRIBE_NODES	0x38
PM_ADD_NODE	0x39
PM_ADD_NODE_PARENT	0x3A
PM_ADD_NODE_NAME	0x3B
PM_ADD_REQUIREMENT	0x3C
PM_SET_CURRENT_SUBSYSTEM	0x3D
PM_INIT_NODE	0x3E
PM_FEATURE_CHECK	0x3F
PM_ISO_CONTROL	0x40
PM_ACTIVATE_SUBSYSTEM	0x41
PM_API_MAX	0x42

Definitions

Define PM_VERSION_MAJOR

Definition

```
#define PM_VERSION_MAJOR1UL
```

Description

PM Version Number

Define PM_VERSION_MINOR

Definition

```
#define PM_VERSION_MINOR0UL
```

Description

PM Version Number

Define PM_VERSION

Definition

```
#define PM_VERSION((
    PM_VERSION_MAJOR
    << 16) |
    PM_VERSION_MINOR
)
```

Description

PM Version Number

Define XPM_MAX_CAPABILITY

Definition

```
#define XPM_MAX_CAPABILITY((u32)
    PM_CAP_ACCESS
    | (u32)
    PM_CAP_CONTEXT
    | (u32)
    PM_CAP_WAKEUP
)
```

Description

Requirement limits

Define XPM_MAX_LATENCY

Definition

```
#define XPM_MAX_LATENCY(0xFFFFU)
```

Description

Requirement limits

Define XPM_MAX_QOS

Definition

```
#define XPM_MAX_QOS(100U)
```

Description

Requirement limits

Define XPM_MIN_CAPABILITY

Definition

```
#define XPM_MIN_CAPABILITY(0U)
```

Description

Requirement limits

Define XPM_MIN_LATENCY

Definition

```
#define XPM_MIN_LATENCY(0U)
```

Description

Requirement limits

Define XPM_MIN_QOS

Definition

```
#define XPM_MIN_QOS(0U)
```

Description

Requirement limits

Define XPM_DEF_CAPABILITY

Definition

```
#define XPM_DEF_CAPABILITY  
XPM_MAX_CAPABILITY
```

Description

Requirement limits

Define XPM_DEF_LATENCY

Definition

```
#define XPM_DEF_LATENCY
    XPM_MAX_LATENCY
```

Description

Requirement limits

Define XPM_DEF_QOS

Definition

```
#define XPM_DEF_QOS
    XPM_MAX_QOS
```

Description

Requirement limits

Define NODE_STATE_OFF

Definition

```
#define NODE_STATE_OFF(0U)
```

Description

Device node status

Define NODE_STATE_ON

Definition

```
#define NODE_STATE_ON(1U)
```

Description

Device node status

Define PROC_STATE_SLEEP

Definition

```
#define PROC_STATE_SLEEP
    NODE_STATE_OFF
```

Description

Processor node status

Define PROC_STATE_ACTIVE

Definition

```
#define PROC_STATE_ACTIVE
    NODE_STATE_ON
```

Description

Processor node status

Define PROC_STATE_FORCEDOFF

Definition

```
#define PROC_STATE_FORCEDOFF(7U)
```

Description

Processor node status

Define PROC_STATE_SUSPENDING

Definition

```
#define PROC_STATE_SUSPENDING(8U)
```

Description

Processor node status

Define PM_SHUTDOWN_TYPE_SHUTDOWN

Definition

```
#define PM_SHUTDOWN_TYPE_SHUTDOWN(0U)
```

Description

System shutdown macros

Define PM_SHUTDOWN_TYPE_RESET

Definition

```
#define PM_SHUTDOWN_TYPE_RESET(1U)
```

Description

System shutdown macros

Define PM_SHUTDOWN_SUBTYPE_RST_SUBSYSTEM

Definition

```
#define PM_SHUTDOWN_SUBTYPE_RST_SUBSYSTEM(0U)
```

Description

System shutdown macros

Define PM_SHUTDOWN_SUBTYPE_RST_PS_ONLY

Definition

```
#define PM_SHUTDOWN_SUBTYPE_RST_PS_ONLY(1U)
```

Description

System shutdown macros

Define PM_SHUTDOWN_SUBTYPE_RST_SYSTEM

Definition

```
#define PM_SHUTDOWN_SUBTYPE_RST_SYSTEM(2U)
```

Description

System shutdown macros

Define PM_SUSPEND_STATE_CPU_IDLE

Definition

```
#define PM_SUSPEND_STATE_CPU_IDLE0x0U
```

Description

State arguments of the self suspend

Define PM_SUSPEND_STATE_SUSPEND_TO_RAM

Definition

```
#define PM_SUSPEND_STATE_SUSPEND_TO_RAM0xFU
```

Description

State arguments of the self suspend

Define XPM_RPU_MODE_LOCKSTEP

Definition

```
#define XPM_RPU_MODE_LOCKSTEP0U
```

Description

RPU operation mode

Define XPM_RPU_MODE_SPLIT

Definition

```
#define XPM_RPU_MODE_SPLIT1U
```

Description

RPU operation mode

Define XPM_RPU_BOOTMEM_LOVEC

Definition

```
#define XPM_RPU_BOOTMEM_LOVEC(0U)
```

Description

RPU Boot memory

Define XPM_RPU_BOOTMEM_HIVEC

Definition

```
#define XPM_RPU_BOOTMEM_HIVEC(1U)
```

Description

RPU Boot memory

Define XPM_RPU_TCM_SPLIT

Definition

```
#define XPM_RPU_TCM_SPLIT0U
```

Description

RPU TCM mode

Define XPM_RPU_TCM_COMB

Definition

```
#define XPM_RPU_TCM_COMB1U
```

Description

RPU TCM mode

Define XPM_TAPDELAY_BYPASS_DISABLE

Definition

```
#define XPM_TAPDELAY_BYPASS_DISABLE(0U)
```

Description

Tap delay bypass

Define XPM_TAPDELAY_BYPASS_ENABLE**Definition**

```
#define XPM_TAPDELAY_BYPASS_ENABLE(1U)
```

Description

Tap delay bypass

Define XPM_OSPI_MUX_SEL_DMA**Definition**

```
#define XPM_OSPI_MUX_SEL_DMA(0U)
```

Description

Ospi AXI Mux select

Define XPM_OSPI_MUX_SEL_LINEAR**Definition**

```
#define XPM_OSPI_MUX_SEL_LINEAR(1U)
```

Description

Ospi AXI Mux select

Define XPM_OSPI_MUX_GET_MODE**Definition**

```
#define XPM_OSPI_MUX_GET_MODE(2U)
```

Description

Ospi AXI Mux select

Define XPM_TAPDELAY_INPUT

Definition

```
#define XPM_TAPDELAY_INPUT(0U)
```

Description

Tap delay type

Define XPM_TAPDELAY_OUTPUT

Definition

```
#define XPM_TAPDELAY_OUTPUT(1U)
```

Description

Tap delay type

Define XPM_DLL_RESET_ASSERT

Definition

```
#define XPM_DLL_RESET_ASSERT(0U)
```

Description

Dll reset type

Define XPM_DLL_RESET_RELEASE

Definition

```
#define XPM_DLL_RESET_RELEASE(1U)
```

Description

Dll reset type

Define XPM_DLL_RESET_PULSE

Definition

```
#define XPM_DLL_RESET_PULSE(2U)
```

Description

Dll reset type

Define XPM_RESET_REASON_EXT_POR**Definition**

```
#define XPM_RESET_REASON_EXT_POR(0U)
```

Description

Reset Reason

Define XPM_RESET_REASON_SW_POR**Definition**

```
#define XPM_RESET_REASON_SW_POR(1U)
```

Description

Reset Reason

Define XPM_RESET_REASON_SLR_POR**Definition**

```
#define XPM_RESET_REASON_SLR_POR(2U)
```

Description

Reset Reason

Define XPM_RESET_REASON_ERR_POR**Definition**

```
#define XPM_RESET_REASON_ERR_POR(3U)
```

Description

Reset Reason

Define XPM_RESET_REASON_DAP_SRST

Definition

```
#define XPM_RESET_REASON_DAP_SRST(7U)
```

Description

Reset Reason

Define XPM_RESET_REASON_ERR_SRST

Definition

```
#define XPM_RESET_REASON_ERR_SRST(8U)
```

Description

Reset Reason

Define XPM_RESET_REASON_SW_SRST

Definition

```
#define XPM_RESET_REASON_SW_SRST(9U)
```

Description

Reset Reason

Define XPM_RESET_REASON_SLR_SRST

Definition

```
#define XPM_RESET_REASON_SLR_SRST(10U)
```

Description

Reset Reason

Define XPM_RESET_REASON_INVALID

Definition

```
#define XPM_RESET_REASON_INVALID(0xFFU)
```

Description

Reset Reason

Define XPM_PROBE_COUNTER_TYPE_LAR_LSR**Definition**

```
#define XPM_PROBE_COUNTER_TYPE_LAR_LSR(0U)
```

Description

Probe Counter Type

Define XPM_PROBE_COUNTER_TYPE_MAIN_CTL**Definition**

```
#define XPM_PROBE_COUNTER_TYPE_MAIN_CTL(1U)
```

Description

Probe Counter Type

Define XPM_PROBE_COUNTER_TYPE_CFG_CTL**Definition**

```
#define XPM_PROBE_COUNTER_TYPE_CFG_CTL(2U)
```

Description

Probe Counter Type

Define XPM_PROBE_COUNTER_TYPE_STATE_PERIOD**Definition**

```
#define XPM_PROBE_COUNTER_TYPE_STATE_PERIOD(3U)
```

Description

Probe Counter Type

Define XPM_PROBE_COUNTER_TYPE_PORT_SEL

Definition

```
#define XPM_PROBE_COUNTER_TYPE_PORT_SEL(4U)
```

Description

Probe Counter Type

Define XPM_PROBE_COUNTER_TYPE_SRC

Definition

```
#define XPM_PROBE_COUNTER_TYPE_SRC(5U)
```

Description

Probe Counter Type

Define XPM_PROBE_COUNTER_TYPE_VAL

Definition

```
#define XPM_PROBE_COUNTER_TYPE_VAL(6U)
```

Description

Probe Counter Type

Define XST_API_BASE_VERSION

Definition

```
#define XST_API_BASE_VERSION(1U)
```

Description

PM API versions

Define XST_API_QUERY_DATA_VERSION

Definition

```
#define XST_API_QUERY_DATA_VERSION(2U)
```

Description

PM API versions

Define XPM_BOOT_HEALTH_STATUS_MASK

Definition

```
#define XPM_BOOT_HEALTH_STATUS_MASK(0x1U)
```

Description

Boot health status mask

Define XPM_TAPDELAY_QSPI

Definition

```
#define XPM_TAPDELAY_QSPI(2U)
```

Description

Tap delay signal type

Error Status

This section lists the Power management specific return error statuses.

Enumerations

Enumeration XPmBootTestatus

Boot Status

Table 387: Enumeration XPmBootTestatus Values

Value	Description
PM_INITIAL_BOOT	boot is a fresh system startup
PM_RESUME	boot is a resume
PM_BOOT_ERROR	error, boot cause cannot be identified
PM_INITIAL_BOOT	boot is a fresh system startup
PM_RESUME	boot is a resume
PM_BOOT_ERROR	error, boot cause cannot be identified

Enumeration XPmResetAction

PM Reset Action types

Table 388: Enumeration XPmResetAction Values

Value	Description
XILPM_RESET_ACTION_RELEASE	Reset action release
XILPM_RESET_ACTION_ASSERT	Reset action assert
XILPM_RESET_ACTION_PULSE	Reset action pulse

Enumeration XPmReset

PM Reset Line IDs

Table 389: Enumeration XPmReset Values

Value	Description
XILPM_RESET_PCIE_CFG	Reset ID PCIE_CFG
XILPM_RESET_PCIE_BRIDGE	Reset ID PCIE_BRIDGE
XILPM_RESET_PCIE_CTRL	Reset ID PCIE_CTRL
XILPM_RESET_DP	Reset ID DP
XILPM_RESET_SWDT_CRF	Reset ID SWDT_CRF
XILPM_RESET_AFI_FM5	Reset ID AFI_FM5
XILPM_RESET_AFI_FM4	Reset ID AFI_FM4
XILPM_RESET_AFI_FM3	Reset ID AFI_FM3
XILPM_RESET_AFI_FM2	Reset ID AFI_FM2
XILPM_RESET_AFI_FM1	Reset ID AFI_FM1
XILPM_RESET_AFI_FM0	Reset ID AFI_FM0
XILPM_RESET_GDMA	Reset ID GDMA
XILPM_RESET_GPU_PP1	Reset ID GPU_PP1
XILPM_RESET_GPU_PP0	Reset ID GPU_PP0
XILPM_RESET_GPU	Reset ID GPU
XILPM_RESET_GT	Reset ID GT
XILPM_RESET_SATA	Reset ID SATA
XILPM_RESET_ACPU3_PWRON	Reset ID ACPU3_PWRON
XILPM_RESET_ACPU2_PWRON	Reset ID ACPU2_PWRON
XILPM_RESET_ACPU1_PWRON	Reset ID ACPU1_PWRON
XILPM_RESET_ACPU0_PWRON	Reset ID ACPU0_PWRON
XILPM_RESET_APU_L2	Reset ID APU_L2
XILPM_RESET_ACPU3	Reset ID ACPU3
XILPM_RESET_ACPU2	Reset ID ACPU2
XILPM_RESET_ACPU1	Reset ID ACPU1

Table 389: Enumeration XPmReset Values (cont'd)

Value	Description
XILPM_RESET_ACPU0	Reset ID ACPU0
XILPM_RESET_DDR	Reset ID DDR
XILPM_RESET_APM_FPD	Reset ID APM_FPD
XILPM_RESET_SOFT	Reset ID SOFT
XILPM_RESET_GEM0	Reset ID GEM0
XILPM_RESET_GEM1	Reset ID GEM1
XILPM_RESET_GEM2	Reset ID GEM2
XILPM_RESET_GEM3	Reset ID GEM3
XILPM_RESET_QSPI	Reset ID QSPI
XILPM_RESET_UART0	Reset ID UART0
XILPM_RESET_UART1	Reset ID UART1
XILPM_RESET_SPI0	Reset ID SPI0
XILPM_RESET_SPI1	Reset ID SPI1
XILPM_RESET_SDIO0	Reset ID SDIO0
XILPM_RESET_SDIO1	Reset ID SDIO1
XILPM_RESET_CAN0	Reset ID CAN0
XILPM_RESET_CAN1	Reset ID CAN1
XILPM_RESET_I2C0	Reset ID I2C0
XILPM_RESET_I2C1	Reset ID I2C1
XILPM_RESET_TTC0	Reset ID TTC0
XILPM_RESET_TTC1	Reset ID TTC1
XILPM_RESET_TTC2	Reset ID TTC2
XILPM_RESET_TTC3	Reset ID TTC3
XILPM_RESET_SWDT_CRL	Reset ID SWDT_CRL
XILPM_RESET_NAND	Reset ID NAND
XILPM_RESET_ADMA	Reset ID ADMA
XILPM_RESET_GPIO	Reset ID GPIO
XILPM_RESET_IOU_CC	Reset ID IOU_CC
XILPM_RESET_TIMESTAMP	Reset ID TIMESTAMP
XILPM_RESET_RPU_R50	Reset ID RPU_R50
XILPM_RESET_RPU_R51	Reset ID RPU_R51
XILPM_RESET_RPU_AMBA	Reset ID RPU_AMBA
XILPM_RESET_OCM	Reset ID OCM
XILPM_RESET_RPU_PGE	Reset ID RPU_PGE
XILPM_RESET_USB0_CORERESET	Reset ID USB0_CORERESE
XILPM_RESET_USB1_CORERESET	Reset ID USB1_CORERESE
XILPM_RESET_USB0_HIBERRESET	Reset ID USB0_HIBERRES
XILPM_RESET_USB1_HIBERRESET	Reset ID USB1_HIBERRES
XILPM_RESET_USB0_APB	Reset ID USB0_APB

Table 389: Enumeration XPmReset Values (cont'd)

Value	Description
XILPM_RESET_USB1_APB	Reset ID USB1_APB
XILPM_RESET_IPI	Reset ID IPI
XILPM_RESET_APM_LPD	Reset ID APM_LPD
XILPM_RESET_RTC	Reset ID RTC
XILPM_RESET_SYSMON	Reset ID SYSMON
XILPM_RESET_AFI_FM6	Reset ID AFI_FM6
XILPM_RESET_LPD_SWDT	Reset ID LPD_SWDT
XILPM_RESET_FPD	Reset ID FPD
XILPM_RESET_RPU_DBG1	Reset ID RPU_DBG1
XILPM_RESET_RPU_DBG0	Reset ID RPU_DBG0
XILPM_RESET_DBG_LPD	Reset ID DBG_LPD
XILPM_RESET_DBG_FPD	Reset ID DBG_FPD
XILPM_RESET_APLL	Reset ID APLL
XILPM_RESET_DPLL	Reset ID DPLL
XILPM_RESET_VPLL	Reset ID VPLL
XILPM_RESET_IOPLL	Reset ID IOPLL
XILPM_RESET_RPLL	Reset ID RPLL
XILPM_RESET_GPO3_PL_0	Reset ID GPO3_PL_0
XILPM_RESET_GPO3_PL_1	Reset ID GPO3_PL_1
XILPM_RESET_GPO3_PL_2	Reset ID GPO3_PL_2
XILPM_RESET_GPO3_PL_3	Reset ID GPO3_PL_3
XILPM_RESET_GPO3_PL_4	Reset ID GPO3_PL_4
XILPM_RESET_GPO3_PL_5	Reset ID GPO3_PL_5
XILPM_RESET_GPO3_PL_6	Reset ID GPO3_PL_6
XILPM_RESET_GPO3_PL_7	Reset ID GPO3_PL_7
XILPM_RESET_GPO3_PL_8	Reset ID GPO3_PL_8
XILPM_RESET_GPO3_PL_9	Reset ID GPO3_PL_9
XILPM_RESET_GPO3_PL_10	Reset ID GPO3_PL_10
XILPM_RESET_GPO3_PL_11	Reset ID GPO3_PL_11
XILPM_RESET_GPO3_PL_12	Reset ID GPO3_PL_12
XILPM_RESET_GPO3_PL_13	Reset ID GPO3_PL_13
XILPM_RESET_GPO3_PL_14	Reset ID GPO3_PL_14
XILPM_RESET_GPO3_PL_15	Reset ID GPO3_PL_15
XILPM_RESET_GPO3_PL_16	Reset ID GPO3_PL_16
XILPM_RESET_GPO3_PL_17	Reset ID GPO3_PL_17
XILPM_RESET_GPO3_PL_18	Reset ID GPO3_PL_18
XILPM_RESET_GPO3_PL_19	Reset ID GPO3_PL_19
XILPM_RESET_GPO3_PL_20	Reset ID GPO3_PL_20
XILPM_RESET_GPO3_PL_21	Reset ID GPO3_PL_21

Table 389: Enumeration XPmReset Values (cont'd)

Value	Description
XILPM_RESET_GPO3_PL_22	Reset ID GPO3_PL_22
XILPM_RESET_GPO3_PL_23	Reset ID GPO3_PL_23
XILPM_RESET_GPO3_PL_24	Reset ID GPO3_PL_24
XILPM_RESET_GPO3_PL_25	Reset ID GPO3_PL_25
XILPM_RESET_GPO3_PL_26	Reset ID GPO3_PL_26
XILPM_RESET_GPO3_PL_27	Reset ID GPO3_PL_27
XILPM_RESET_GPO3_PL_28	Reset ID GPO3_PL_28
XILPM_RESET_GPO3_PL_29	Reset ID GPO3_PL_29
XILPM_RESET_GPO3_PL_30	Reset ID GPO3_PL_30
XILPM_RESET_GPO3_PL_31	Reset ID GPO3_PL_31
XILPM_RESET_RPU_LS	Reset ID RPU_LS
XILPM_RESET_PS_ONLY	Reset ID PS_ONLY
XILPM_RESET_PL	Reset ID PL
XILPM_RESET_GPIO5_EMIO_92	Reset ID GPIO5_EMIO_92
XILPM_RESET_GPIO5_EMIO_93	Reset ID GPIO5_EMIO_93
XILPM_RESET_GPIO5_EMIO_94	Reset ID GPIO5_EMIO_94
XILPM_RESET_GPIO5_EMIO_95	Reset ID GPIO5_EMIO_95

Enumeration XPmNotifyEvent

PM Notify Events Enum

Table 390: Enumeration XPmNotifyEvent Values

Value	Description
EVENT_STATE_CHANGE	State change event
EVENT_ZERO_USERS	Zero user event
EVENT_STATE_CHANGE	State change event
EVENT_ZERO_USERS	Zero user event

Enumeration XPmClock

PM Clock IDs

Table 391: Enumeration XPmClock Values

Value	Description
PM_CLOCK_IOPLL	Clock ID IOPLL
PM_CLOCK_RPLL	Clock ID RPLL
PM_CLOCK_APLL	Clock ID APLL

Table 391: Enumeration XPmClock Values (cont'd)

Value	Description
PM_CLOCK_DPLL	Clock ID DPLL
PM_CLOCK_VPLL	Clock ID VPLL
PM_CLOCK_IOPLL_TO_FPD	Clock ID IOPLL_TO_FPD
PM_CLOCK_RPLL_TO_FPD	Clock ID RPLL_TO_FPD
PM_CLOCK_APLL_TO_LPD	Clock ID APLL_TO_LPD
PM_CLOCK_DPLL_TO_LPD	Clock ID DPLL_TO_LPD
PM_CLOCK_VPLL_TO_LPD	Clock ID VPLL_TO_LPD
PM_CLOCK_ACPU	Clock ID ACPU
PM_CLOCK_ACPU_HALF	Clock ID ACPU_HALF
PM_CLOCK_DBG_FPD	Clock ID DBG_FPD
PM_CLOCK_DBG_LPD	Clock ID DBG_LPD
PM_CLOCK_DBG_TRACE	Clock ID DBG_TRACE
PM_CLOCK_DBG_TSTMP	Clock ID DBG_TSTMP
PM_CLOCK_DP_VIDEO_REF	Clock ID DP_VIDEO_REF
PM_CLOCK_DP_AUDIO_REF	Clock ID DP_AUDIO_REF
PM_CLOCK_DP_STC_REF	Clock ID DP_STC_REF
PM_CLOCK_GDMA_REF	Clock ID GDMA_REF
PM_CLOCK_DPDMA_REF	Clock ID DPDMA_REF
PM_CLOCK_DDR_REF	Clock ID DDR_REF
PM_CLOCK_SATA_REF	Clock ID SATA_REF
PM_CLOCK_PCIE_REF	Clock ID PCIE_REF
PM_CLOCK_GPU_REF	Clock ID GPU_REF
PM_CLOCK_GPU_PP0_REF	Clock ID GPU_PP0_REF
PM_CLOCK_GPU_PP1_REF	Clock ID GPU_PP1_REF
PM_CLOCK_TOPSW_MAIN	Clock ID TOPSW_MAIN
PM_CLOCK_TOPSW_LSBUS	Clock ID TOPSW_LSBUS
PM_CLOCK_GTGREF0_REF	Clock ID GTGREF0_REF
PM_CLOCK_LPD_SWITCH	Clock ID LPD_SWITCH
PM_CLOCK_LPD_LSBUS	Clock ID LPD_LSBUS
PM_CLOCK_USB0_BUS_REF	Clock ID USB0_BUS_REF
PM_CLOCK_USB1_BUS_REF	Clock ID USB1_BUS_REF
PM_CLOCK_USB3_DUAL_REF	Clock ID USB3_DUAL_REF
PM_CLOCK_USB0	Clock ID USB0
PM_CLOCK_USB1	Clock ID USB1
PM_CLOCK_CPU_R5	Clock ID CPU_R5
PM_CLOCK_CPU_R5_CORE	Clock ID CPU_R5_CORE
PM_CLOCK_CSU_SPB	Clock ID CSU_SPB
PM_CLOCK_CSU_PLL	Clock ID CSU_PLL
PM_CLOCK_PCAP	Clock ID PCAP

Table 391: Enumeration XPmClock Values (cont'd)

Value	Description
PM_CLOCK_IOU_SWITCH	Clock ID IOU_SWITCH
PM_CLOCK_GEM_TSU_REF	Clock ID GEM_TSU_REF
PM_CLOCK_GEM_TSU	Clock ID GEM_TSU
PM_CLOCK_GEM0_TX	Clock ID GEM0_TX
PM_CLOCK_GEM1_TX	Clock ID GEM1_TX
PM_CLOCK_GEM2_TX	Clock ID GEM2_TX
PM_CLOCK_GEM3_TX	Clock ID GEM3_TX
PM_CLOCK_GEM0_RX	Clock ID GEM0_RX
PM_CLOCK_GEM1_RX	Clock ID GEM1_RX
PM_CLOCK_GEM2_RX	Clock ID GEM2_RX
PM_CLOCK_GEM3_RX	Clock ID GEM3_RX
PM_CLOCK_QSPI_REF	Clock ID QSPI_REF
PM_CLOCK_SDIO0_REF	Clock ID SDIO0_REF
PM_CLOCK_SDIO1_REF	Clock ID SDIO1_REF
PM_CLOCK_UART0_REF	Clock ID UART0_REF
PM_CLOCK_UART1_REF	Clock ID UART1_REF
PM_CLOCK_SPI0_REF	Clock ID SPI0_REF
PM_CLOCK_SPI1_REF	Clock ID SPI1_REF
PM_CLOCK_NAND_REF	Clock ID NAND_REF
PM_CLOCK_I2C0_REF	Clock ID I2C0_REF
PM_CLOCK_I2C1_REF	Clock ID I2C1_REF
PM_CLOCK_CAN0_REF	Clock ID CAN0_REF
PM_CLOCK_CAN1_REF	Clock ID CAN1_REF
PM_CLOCK_CAN0	Clock ID CAN0
PM_CLOCK_CAN1	Clock ID CAN1
PM_CLOCK_DLL_REF	Clock ID DLL_REF
PM_CLOCK_ADMA_REF	Clock ID ADMA_REF
PM_CLOCK_TIMESTAMP_REF	Clock ID TIMESTAMP_REF
PM_CLOCK_AMS_REF	Clock ID AMS_REF
PM_CLOCK_PL0_REF	Clock ID PL0_REF
PM_CLOCK_PL1_REF	Clock ID PL1_REF
PM_CLOCK_PL2_REF	Clock ID PL2_REF
PM_CLOCK_PL3_REF	Clock ID PL3_REF
PM_CLOCK_WDT	Clock ID WDT
PM_CLOCK_IOPLL_INT	Clock ID IOPLL_INT
PM_CLOCK_IOPLL_PRE_SRC	Clock ID IOPLL_PRE_SRC
PM_CLOCK_IOPLL_HALF	Clock ID IOPLL_HALF
PM_CLOCK_IOPLL_INT_MUX	Clock ID IOPLL_INT_MUX
PM_CLOCK_IOPLL_POST_SRC	Clock ID IOPLL_POST_SRC

Table 391: Enumeration XPmClock Values (cont'd)

Value	Description
PM_CLOCK_RPLL_INT	Clock ID RPLL_INT
PM_CLOCK_RPLL_PRE_SRC	Clock ID RPLL_PRE_SRC
PM_CLOCK_RPLL_HALF	Clock ID RPLL_HALF
PM_CLOCK_RPLL_INT_MUX	Clock ID RPLL_INT_MUX
PM_CLOCK_RPLL_POST_SRC	Clock ID RPLL_POST_SRC
PM_CLOCK_APLL_INT	Clock ID APLL_INT
PM_CLOCK_APLL_PRE_SRC	Clock ID APLL_PRE_SRC
PM_CLOCK_APLL_HALF	Clock ID APLL_HALF
PM_CLOCK_APLL_INT_MUX	Clock ID APLL_INT_MUX
PM_CLOCK_APLL_POST_SRC	Clock ID APLL_POST_SRC
PM_CLOCK_DPLL_INT	Clock ID DPLL_INT
PM_CLOCK_DPLL_PRE_SRC	Clock ID DPLL_PRE_SRC
PM_CLOCK_DPLL_HALF	Clock ID DPLL_HALF
PM_CLOCK_DPLL_INT_MUX	Clock ID DPLL_INT_MUX
PM_CLOCK_DPLL_POST_SRC	Clock ID DPLL_POST_SRC
PM_CLOCK_VPLL_INT	Clock ID VPLL_INT
PM_CLOCK_VPLL_PRE_SRC	Clock ID VPLL_PRE_SRC
PM_CLOCK_VPLL_HALF	Clock ID VPLL_HALF
PM_CLOCK_VPLL_INT_MUX	Clock ID VPLL_INT_MUX
PM_CLOCK_VPLL_POST_SRC	Clock ID VPLL_POST_SRC
PM_CLOCK_CAN0_MIO	Clock ID CAN0_MIO
PM_CLOCK_CAN1_MIO	Clock ID CAN1_MIO
PM_CLOCK_ACPU_FULL	Clock ID ACPU_FULL
PM_CLOCK_GEM0_REF	Clock ID GEM0_REF
PM_CLOCK_GEM1_REF	Clock ID GEM1_REF
PM_CLOCK_GEM2_REF	Clock ID GEM2_REF
PM_CLOCK_GEM3_REF	Clock ID GEM3_REF
PM_CLOCK_GEM0_REF_UNGATED	Clock ID GEM0_REF_UNGATED
PM_CLOCK_GEM1_REF_UNGATED	Clock ID GEM1_REF_UNGATED
PM_CLOCK_GEM2_REF_UNGATED	Clock ID GEM2_REF_UNGATED
PM_CLOCK_GEM3_REF_UNGATED	Clock ID GEM3_REF_UNGATED
PM_CLOCK_EXT_PSS_REF	Clock ID EXT_PSS_REF
PM_CLOCK_EXT_VIDEO	Clock ID EXT_VIDEO
PM_CLOCK_EXT_PSS_ALT_REF	Clock ID EXT_PSS_ALT_REF
PM_CLOCK_EXT_AUX_REF	Clock ID EXT_AUX_REF
PM_CLOCK_EXT_GT_CRX_REF	Clock ID EXT_GT_CRX_REF
PM_CLOCK_EXT_SWDT0	Clock ID EXT_SWDT0
PM_CLOCK_EXT_SWDT1	Clock ID EXT_SWDT1
PM_CLOCK_EXT_GEM0_TX_EMIO	Clock ID EXT_GEM0_TX_EMIO

Table 391: Enumeration XPmClock Values (cont'd)

Value	Description
PM_CLOCK_EXT_GEM1_TX_EMIO	Clock ID EXT_GEM1_TX_EMIO
PM_CLOCK_EXT_GEM2_TX_EMIO	Clock ID EXT_GEM2_TX_EMIO
PM_CLOCK_EXT_GEM3_TX_EMIO	Clock ID EXT_GEM3_TX_EMIO
PM_CLOCK_EXT_GEM0_RX_EMIO	Clock ID EXT_GEM0_RX_EMIO
PM_CLOCK_EXT_GEM1_RX_EMIO	Clock ID EXT_GEM1_RX_EMIO
PM_CLOCK_EXT_GEM2_RX_EMIO	Clock ID EXT_GEM2_RX_EMIO
PM_CLOCK_EXT_GEM3_RX_EMIO	Clock ID EXT_GEM3_RX_EMIO
PM_CLOCK_EXT_MIO50_OR_MIO51	Clock ID EXT_MIO50_OR_MIO51
PM_CLOCK_EXT_MIO0	Clock ID EXT_MIO0
PM_CLOCK_EXT_MIO1	Clock ID EXT_MIO1
PM_CLOCK_EXT_MIO2	Clock ID EXT_MIO2
PM_CLOCK_EXT_MIO3	Clock ID EXT_MIO3
PM_CLOCK_EXT_MIO4	Clock ID EXT_MIO4
PM_CLOCK_EXT_MIO5	Clock ID EXT_MIO5
PM_CLOCK_EXT_MIO6	Clock ID EXT_MIO6
PM_CLOCK_EXT_MIO7	Clock ID EXT_MIO7
PM_CLOCK_EXT_MIO8	Clock ID EXT_MIO8
PM_CLOCK_EXT_MIO9	Clock ID EXT_MIO9
PM_CLOCK_EXT_MIO10	Clock ID EXT_MIO10
PM_CLOCK_EXT_MIO11	Clock ID EXT_MIO11
PM_CLOCK_EXT_MIO12	Clock ID EXT_MIO12
PM_CLOCK_EXT_MIO13	Clock ID EXT_MIO13
PM_CLOCK_EXT_MIO14	Clock ID EXT_MIO14
PM_CLOCK_EXT_MIO15	Clock ID EXT_MIO15
PM_CLOCK_EXT_MIO16	Clock ID EXT_MIO16
PM_CLOCK_EXT_MIO17	Clock ID EXT_MIO17
PM_CLOCK_EXT_MIO18	Clock ID EXT_MIO18
PM_CLOCK_EXT_MIO19	Clock ID EXT_MIO19
PM_CLOCK_EXT_MIO20	Clock ID EXT_MIO20
PM_CLOCK_EXT_MIO21	Clock ID EXT_MIO21
PM_CLOCK_EXT_MIO22	Clock ID EXT_MIO22
PM_CLOCK_EXT_MIO23	Clock ID EXT_MIO23
PM_CLOCK_EXT_MIO24	Clock ID EXT_MIO24
PM_CLOCK_EXT_MIO25	Clock ID EXT_MIO25
PM_CLOCK_EXT_MIO26	Clock ID EXT_MIO26
PM_CLOCK_EXT_MIO27	Clock ID EXT_MIO27
PM_CLOCK_EXT_MIO28	Clock ID EXT_MIO28
PM_CLOCK_EXT_MIO29	Clock ID EXT_MIO29
PM_CLOCK_EXT_MIO30	Clock ID EXT_MIO30

Table 391: Enumeration XPmClock Values (cont'd)

Value	Description
PM_CLOCK_EXT_MIO31	Clock ID EXT_MIO31
PM_CLOCK_EXT_MIO32	Clock ID EXT_MIO32
PM_CLOCK_EXT_MIO33	Clock ID EXT_MIO33
PM_CLOCK_EXT_MIO34	Clock ID EXT_MIO34
PM_CLOCK_EXT_MIO35	Clock ID EXT_MIO35
PM_CLOCK_EXT_MIO36	Clock ID EXT_MIO36
PM_CLOCK_EXT_MIO37	Clock ID EXT_MIO37
PM_CLOCK_EXT_MIO38	Clock ID EXT_MIO38
PM_CLOCK_EXT_MIO39	Clock ID EXT_MIO39
PM_CLOCK_EXT_MIO40	Clock ID EXT_MIO40
PM_CLOCK_EXT_MIO41	Clock ID EXT_MIO41
PM_CLOCK_EXT_MIO42	Clock ID EXT_MIO42
PM_CLOCK_EXT_MIO43	Clock ID EXT_MIO43
PM_CLOCK_EXT_MIO44	Clock ID EXT_MIO44
PM_CLOCK_EXT_MIO45	Clock ID EXT_MIO45
PM_CLOCK_EXT_MIO46	Clock ID EXT_MIO46
PM_CLOCK_EXT_MIO47	Clock ID EXT_MIO47
PM_CLOCK_EXT_MIO48	Clock ID EXT_MIO48
PM_CLOCK_EXT_MIO49	Clock ID EXT_MIO49
PM_CLOCK_EXT_MIO50	Clock ID EXT_MIO50
PM_CLOCK_EXT_MIO51	Clock ID EXT_MIO51
PM_CLOCK_EXT_MIO52	Clock ID EXT_MIO52
PM_CLOCK_EXT_MIO53	Clock ID EXT_MIO53
PM_CLOCK_EXT_MIO54	Clock ID EXT_MIO54
PM_CLOCK_EXT_MIO55	Clock ID EXT_MIO55
PM_CLOCK_EXT_MIO56	Clock ID EXT_MIO56
PM_CLOCK_EXT_MIO57	Clock ID EXT_MIO57
PM_CLOCK_EXT_MIO58	Clock ID EXT_MIO58
PM_CLOCK_EXT_MIO59	Clock ID EXT_MIO59
PM_CLOCK_EXT_MIO60	Clock ID EXT_MIO60
PM_CLOCK_EXT_MIO61	Clock ID EXT_MIO61
PM_CLOCK_EXT_MIO62	Clock ID EXT_MIO62
PM_CLOCK_EXT_MIO63	Clock ID EXT_MIO63
PM_CLOCK_EXT_MIO64	Clock ID EXT_MIO64
PM_CLOCK_EXT_MIO65	Clock ID EXT_MIO65
PM_CLOCK_EXT_MIO66	Clock ID EXT_MIO66
PM_CLOCK_EXT_MIO67	Clock ID EXT_MIO67
PM_CLOCK_EXT_MIO68	Clock ID EXT_MIO68
PM_CLOCK_EXT_MIO69	Clock ID EXT_MIO69

Table 391: Enumeration XPmClock Values (cont'd)

Value	Description
PM_CLOCK_EXT_MIO70	Clock ID EXT_MIO70
PM_CLOCK_EXT_MIO71	Clock ID EXT_MIO71
PM_CLOCK_EXT_MIO72	Clock ID EXT_MIO72
PM_CLOCK_EXT_MIO73	Clock ID EXT_MIO73
PM_CLOCK_EXT_MIO74	Clock ID EXT_MIO74
PM_CLOCK_EXT_MIO75	Clock ID EXT_MIO75
PM_CLOCK_EXT_MIO76	Clock ID EXT_MIO76
PM_CLOCK_EXT_MIO77	Clock ID EXT_MIO77

Enumeration XPmPllParam

PLL parameters

Table 392: Enumeration XPmPllParam Values

Value	Description
PM_PLL_PARAM_ID_DIV2	PLL param ID DIV2
PM_PLL_PARAM_ID_FBDIV	PLL param ID FBDIV
PM_PLL_PARAM_ID_DATA	PLL param ID DATA
PM_PLL_PARAM_ID_PRE_SRC	PLL param ID PRE_SRC
PM_PLL_PARAM_ID_POST_SRC	PLL param ID POST_SRC
PM_PLL_PARAM_ID_LOCK_DLY	PLL param ID LOCK_DLY
PM_PLL_PARAM_ID_LOCK_CNT	PLL param ID LOCK_CNT
PM_PLL_PARAM_ID_LFHF	PLL param ID LFHF
PM_PLL_PARAM_ID_CP	PLL param ID CP
PM_PLL_PARAM_ID_RES	PLL param ID RES

Enumeration XPmPllMode

PLL Modes

Table 393: Enumeration XPmPllMode Values

Value	Description
PM_PLL_MODE_INTEGER	PLL mode integer
PM_PLL_MODE_FRACTIONAL	PLL mode fractional
PM_PLL_MODE_RESET	PLL mode reset
PM_PLL_MODE_RESET	PLL mode reset
PM_PLL_MODE_INTEGER	PLL mode integer
PM_PLL_MODE_FRACTIONAL	PLL mode fractional

Enumeration XPmPinFn

Pin Function IDs

Table 394: Enumeration XPmPinFn Values

Value	Description
PINCTRL_FUNC_CAN0	Pin Function CAN0
PINCTRL_FUNC_CAN1	Pin Function CAN1
PINCTRL_FUNC_ETHERNET0	Pin Function ETHERNET0
PINCTRL_FUNC_ETHERNET1	Pin Function ETHERNET1
PINCTRL_FUNC_ETHERNET2	Pin Function ETHERNET2
PINCTRL_FUNC_ETHERNET3	Pin Function ETHERNET3
PINCTRL_FUNC_GEMTSU0	Pin Function GEMTSU0
PINCTRL_FUNC_GPIO0	Pin Function GPIO0
PINCTRL_FUNC_I2C0	Pin Function I2C0
PINCTRL_FUNC_I2C1	Pin Function I2C1
PINCTRL_FUNC_MDIO0	Pin Function MDIO0
PINCTRL_FUNC_MDIO1	Pin Function MDIO1
PINCTRL_FUNC_MDIO2	Pin Function MDIO2
PINCTRL_FUNC_MDIO3	Pin Function MDIO3
PINCTRL_FUNC_QSPI0	Pin Function QSPI0
PINCTRL_FUNC_QSPI_FBCLK	Pin Function QSPI_FBCLK
PINCTRL_FUNC_QSPI_SS	Pin Function QSPI_SS
PINCTRL_FUNC_SPIO	Pin Function SPIO
PINCTRL_FUNC_SPI1	Pin Function SPI1
PINCTRL_FUNC_SPIO_SS	Pin Function SPIO_SS
PINCTRL_FUNC_SPI1_SS	Pin Function SPI1_SS
PINCTRL_FUNC_SDIO0	Pin Function SDIO0
PINCTRL_FUNC_SDIO0_PC	Pin Function SDIO0_PC
PINCTRL_FUNC_SDIO0_CD	Pin Function SDIO0_CD
PINCTRL_FUNC_SDIO0_WP	Pin Function SDIO0_WP
PINCTRL_FUNC_SDIO1	Pin Function SDIO1
PINCTRL_FUNC_SDIO1_PC	Pin Function SDIO1_PC
PINCTRL_FUNC_SDIO1_CD	Pin Function SDIO1_CD
PINCTRL_FUNC_SDIO1_WP	Pin Function SDIO1_WP
PINCTRL_FUNC_NAND0	Pin Function NAND0
PINCTRL_FUNC_NAND0_CE	Pin Function NAND0_CE
PINCTRL_FUNC_NAND0_RB	Pin Function NAND0_RB
PINCTRL_FUNC_NAND0_DQS	Pin Function NAND0_DQS
PINCTRL_FUNC_TTC0_CLK	Pin Function TTC0_CLK
PINCTRL_FUNC_TTC0_WAV	Pin Function TTC0_WAV

Table 394: Enumeration XPmPinFn Values (cont'd)

Value	Description
PINCTRL_FUNC_TTC1_CLK	Pin Function TTC1_CLK
PINCTRL_FUNC_TTC1_WAV	Pin Function TTC1_WAV
PINCTRL_FUNC_TTC2_CLK	Pin Function TTC2_CLK
PINCTRL_FUNC_TTC2_WAV	Pin Function TTC2_WAV
PINCTRL_FUNC_TTC3_CLK	Pin Function TTC3_CLK
PINCTRL_FUNC_TTC3_WAV	Pin Function TTC3_WAV
PINCTRL_FUNC_UART0	Pin Function UART0
PINCTRL_FUNC_UART1	Pin Function UART1
PINCTRL_FUNC_USB0	Pin Function USB0
PINCTRL_FUNC_USB1	Pin Function USB1
PINCTRL_FUNC_SWDT0_CLK	Pin Function SWDT0_CLK
PINCTRL_FUNC_SWDT0_RST	Pin Function SWDT0_RST
PINCTRL_FUNC_SWDT1_CLK	Pin Function SWDT1_CLK
PINCTRL_FUNC_SWDT1_RST	Pin Function SWDT1_RST
PINCTRL_FUNC_PMU0	Pin Function PMU0
PINCTRL_FUNC_PCIE0	Pin Function PCIE0
PINCTRL_FUNC_CSU0	Pin Function CSU0
PINCTRL_FUNC_DPAUX0	Pin Function DPAUX0
PINCTRL_FUNC_PJTAG0	Pin Function PJTAG0
PINCTRL_FUNC_TRACE0	Pin Function TRACE0
PINCTRL_FUNC_TRACE0_CLK	Pin Function TRACE0_CLK
PINCTRL_FUNC_TESTSCAN0	Pin Function TESTSCAN0

Enumeration XPmPinParam

PIN Control Parameters

Table 395: Enumeration XPmPinParam Values

Value	Description
PINCTRL_CONFIG_SLEW_RATE	Pin config slew rate
PINCTRL_CONFIG_BIAS_STATUS	Pin config bias status
PINCTRL_CONFIG_PULL_CTRL	Pin config pull control
PINCTRL_CONFIG_SCHMITT_CMOS	Pin config schmitt CMOS
PINCTRL_CONFIG_DRIVE_STRENGTH	Pin config drive strength
PINCTRL_CONFIG_VOLTAGE_STATUS	Pin config voltage status

Definitions

Define XST_PM_INTERNAL

Definition

```
#define XST_PM_INTERNAL2000L
```

Description

Power management specific return error status An internal error occurred while performing the requested operation

Define XST_PM_CONFLICT

Definition

```
#define XST_PM_CONFLICT2001L
```

Description

Conflicting requirements have been asserted when more than one processing cluster is using the same PM slave

Define XST_PM_NO_ACCESS

Definition

```
#define XST_PM_NO_ACCESS2002L
```

Description

The processing cluster does not have access to the requested node or operation

Define XST_PM_INVALID_NODE

Definition

```
#define XST_PM_INVALID_NODE2003L
```

Description

The API function does not apply to the node passed as argument

Define XST_PM_DOUBLE_REQ

Definition

```
#define XST_PM_DOUBLE_REQ2004L
```

Description

A processing cluster has already been assigned access to a PM slave and has issued a duplicate request for that PM slave

Define XST_PM_ABORT_SUSPEND

Definition

```
#define XST_PM_ABORT_SUSPEND2005L
```

Description

The target processing cluster has aborted suspend

Define XST_PM_TIMEOUT

Definition

```
#define XST_PM_TIMEOUT2006L
```

Description

A timeout occurred while performing the requested operation

Define XST_PM_NODE_USED

Definition

```
#define XST_PM_NODE_USED2007L
```

Description

Slave request cannot be granted since node is non-shareable and used

Power Nodes

Definitions

Define PM_POWER_PMC

Definition

```
#define PM_POWER_PMC(0x4208001U)
```

Description

Versal Power Nodes

Define PM_POWER_LPD

Definition

```
#define PM_POWER_LPD(0x4210002U)
```

Description

Versal Power Nodes

Define PM_POWER_FPD

Definition

```
#define PM_POWER_FPD(0x420c003U)
```

Description

Versal Power Nodes

Define PM_POWER_NOC

Definition

```
#define PM_POWER_NOC(0x4214004U)
```

Description

Versal Power Nodes

Define PM_POWER_ME

Definition

```
#define PM_POWER_ME(0x421c005U)
```

Description

Versal Power Nodes

Define PM_POWER_PLD

Definition

```
#define PM_POWER_PLD(0x4220006U)
```

Description

Versal Power Nodes

Define PM_POWER_CPM

Definition

```
#define PM_POWER_CPM(0x4218007U)
```

Description

Versal Power Nodes

Define PM_POWER_PL_SYSMON

Definition

```
#define PM_POWER_PL_SYSMON(0x4208008U)
```

Description

Versal Power Nodes

Define PM_POWER_RPU0_0

Definition

```
#define PM_POWER_RPU0_0(0x4104009U)
```


Description

Versal Power Nodes

Define PM_POWER_GEM0**Definition**

```
#define PM_POWER_GEM0(0x410400aU)
```

Description

Versal Power Nodes

Define PM_POWER_GEM1**Definition**

```
#define PM_POWER_GEM1(0x410400bU)
```

Description

Versal Power Nodes

Define PM_POWER_OCM_0**Definition**

```
#define PM_POWER_OCM_0(0x410400cU)
```

Description

Versal Power Nodes

Define PM_POWER_OCM_1**Definition**

```
#define PM_POWER_OCM_1(0x410400dU)
```

Description

Versal Power Nodes

Define PM_POWER_OCM_2

Definition

```
#define PM_POWER_OCM_2(0x410400eU)
```

Description

Versal Power Nodes

Define PM_POWER_OCM_3

Definition

```
#define PM_POWER_OCM_3(0x410400fU)
```

Description

Versal Power Nodes

Define PM_POWER_TCM_0_A

Definition

```
#define PM_POWER_TCM_0_A(0x4104010U)
```

Description

Versal Power Nodes

Define PM_POWER_TCM_0_B

Definition

```
#define PM_POWER_TCM_0_B(0x4104011U)
```

Description

Versal Power Nodes

Define PM_POWER_TCM_1_A

Definition

```
#define PM_POWER_TCM_1_A(0x4104012U)
```

Description

Versal Power Nodes

Define PM_POWER_TCM_1_B**Definition**

```
#define PM_POWER_TCM_1_B(0x4104013U)
```

Description

Versal Power Nodes

Define PM_POWER_ACPU_0**Definition**

```
#define PM_POWER_ACPU_0(0x4104014U)
```

Description

Versal Power Nodes

Define PM_POWER_ACPU_1**Definition**

```
#define PM_POWER_ACPU_1(0x4104015U)
```

Description

Versal Power Nodes

Define PM_POWER_L2_BANK_0**Definition**

```
#define PM_POWER_L2_BANK_0(0x4104016U)
```

Description

Versal Power Nodes

Reset Nodes

Definitions

Define PM_RST_PMC_POR

Definition

```
#define PM_RST_PMC_POR(0xc30c001U)
```

Description

Versal Reset Nodes

Define PM_RST_PMC

Definition

```
#define PM_RST_PMC(0xc410002U)
```

Description

Versal Reset Nodes

Define PM_RST_PS_POR

Definition

```
#define PM_RST_PS_POR(0xc30c003U)
```

Description

Versal Reset Nodes

Define PM_RST_PL_POR

Definition

```
#define PM_RST_PL_POR(0xc30c004U)
```

Description

Versal Reset Nodes

Define PM_RST_NOC_POR

Definition

```
#define PM_RST_NOC_POR(0xc30c005U)
```

Description

Versal Reset Nodes

Define PM_RST_FPD_POR

Definition

```
#define PM_RST_FPD_POR(0xc30c006U)
```

Description

Versal Reset Nodes

Define PM_RST_ACPU_0_POR

Definition

```
#define PM_RST_ACPU_0_POR(0xc30c007U)
```

Description

Versal Reset Nodes

Define PM_RST_ACPU_1_POR

Definition

```
#define PM_RST_ACPU_1_POR(0xc30c008U)
```

Description

Versal Reset Nodes

Define PM_RST_OCM2_POR

Definition

```
#define PM_RST_OCM2_POR(0xc30c009U)
```

Description

Versal Reset Nodes

Define PM_RST_PS_SRST**Definition**

```
#define PM_RST_PS_SRST(0xc41000aU)
```

Description

Versal Reset Nodes

Define PM_RST_PL_SRST**Definition**

```
#define PM_RST_PL_SRST(0xc41000bU)
```

Description

Versal Reset Nodes

Define PM_RST_NOC**Definition**

```
#define PM_RST_NOC(0xc41000cU)
```

Description

Versal Reset Nodes

Define PM_RST_NPI**Definition**

```
#define PM_RST_NPI(0xc41000dU)
```

Description

Versal Reset Nodes

Define PM_RST_SYS_RST_1

Definition

```
#define PM_RST_SYS_RST_1(0xc41000eU)
```

Description

Versal Reset Nodes

Define PM_RST_SYS_RST_2

Definition

```
#define PM_RST_SYS_RST_2(0xc41000fU)
```

Description

Versal Reset Nodes

Define PM_RST_SYS_RST_3

Definition

```
#define PM_RST_SYS_RST_3(0xc410010U)
```

Description

Versal Reset Nodes

Define PM_RST_FPD

Definition

```
#define PM_RST_FPD(0xc410011U)
```

Description

Versal Reset Nodes

Define PM_RST_PL0

Definition

```
#define PM_RST_PL0(0xc410012U)
```

Description

Versal Reset Nodes

Define PM_RST_PL1**Definition**

```
#define PM_RST_PL1(0xc410013U)
```

Description

Versal Reset Nodes

Define PM_RST_PL2**Definition**

```
#define PM_RST_PL2(0xc410014U)
```

Description

Versal Reset Nodes

Define PM_RST_PL3**Definition**

```
#define PM_RST_PL3(0xc410015U)
```

Description

Versal Reset Nodes

Define PM_RST_APU**Definition**

```
#define PM_RST_APU(0xc410016U)
```

Description

Versal Reset Nodes

Define PM_RST_ACPU_0

Definition

```
#define PM_RST_ACPU_0(0xc410017U)
```

Description

Versal Reset Nodes

Define PM_RST_ACPU_1

Definition

```
#define PM_RST_ACPU_1(0xc410018U)
```

Description

Versal Reset Nodes

Define PM_RST_ACPU_L2

Definition

```
#define PM_RST_ACPU_L2(0xc410019U)
```

Description

Versal Reset Nodes

Define PM_RST_ACPU_GIC

Definition

```
#define PM_RST_ACPU_GIC(0xc41001aU)
```

Description

Versal Reset Nodes

Define PM_RST_RPU_ISLAND

Definition

```
#define PM_RST_RPU_ISLAND(0xc41001bU)
```

Description

Versal Reset Nodes

Define PM_RST_RPU_AMBA**Definition**

```
#define PM_RST_RPU_AMBA(0xc41001cU)
```

Description

Versal Reset Nodes

Define PM_RST_R5_0**Definition**

```
#define PM_RST_R5_0(0xc41001dU)
```

Description

Versal Reset Nodes

Define PM_RST_R5_1**Definition**

```
#define PM_RST_R5_1(0xc41001eU)
```

Description

Versal Reset Nodes

Define PM_RST_SYSMON_PMC_SEQ_RST**Definition**

```
#define PM_RST_SYSMON_PMC_SEQ_RST(0xc41001fU)
```

Description

Versal Reset Nodes

Define PM_RST_SYSMON_PMC_CFG_RST

Definition

```
#define PM_RST_SYSMON_PMC_CFG_RST(0xc410020U)
```

Description

Versal Reset Nodes

Define PM_RST_SYSMON_FPD_CFG_RST

Definition

```
#define PM_RST_SYSMON_FPD_CFG_RST(0xc410021U)
```

Description

Versal Reset Nodes

Define PM_RST_SYSMON_FPD_SEQ_RST

Definition

```
#define PM_RST_SYSMON_FPD_SEQ_RST(0xc410022U)
```

Description

Versal Reset Nodes

Define PM_RST_SYSMON_LPD

Definition

```
#define PM_RST_SYSMON_LPD(0xc410023U)
```

Description

Versal Reset Nodes

Define PM_RST_PDMA_RST1

Definition

```
#define PM_RST_PDMA_RST1(0xc410024U)
```

Description

Versal Reset Nodes

Define PM_RST_PDMA_RST0**Definition**

```
#define PM_RST_PDMA_RST0(0xc410025U)
```

Description

Versal Reset Nodes

Define PM_RST_ADMA**Definition**

```
#define PM_RST_ADMA(0xc410026U)
```

Description

Versal Reset Nodes

Define PM_RST_TIMESTAMP**Definition**

```
#define PM_RST_TIMESTAMP(0xc410027U)
```

Description

Versal Reset Nodes

Define PM_RST_OCM**Definition**

```
#define PM_RST_OCM(0xc410028U)
```

Description

Versal Reset Nodes

Define PM_RST_OCM2_RST

Definition

```
#define PM_RST_OCM2_RST(0xc410029U)
```

Description

Versal Reset Nodes

Define PM_RST_IPI

Definition

```
#define PM_RST_IPI(0xc41002aU)
```

Description

Versal Reset Nodes

Define PM_RST_SBI

Definition

```
#define PM_RST_SBI(0xc41002bU)
```

Description

Versal Reset Nodes

Define PM_RST_LPD

Definition

```
#define PM_RST_LPD(0xc41002cU)
```

Description

Versal Reset Nodes

Define PM_RST_QSPI

Definition

```
#define PM_RST_QSPI(0xc10402dU)
```

Description

Versal Reset Nodes

Define PM_RST_OSPI**Definition**

```
#define PM_RST_OSPI(0xc10402eU)
```

Description

Versal Reset Nodes

Define PM_RST_SDIO_0**Definition**

```
#define PM_RST_SDIO_0(0xc10402fU)
```

Description

Versal Reset Nodes

Define PM_RST_SDIO_1**Definition**

```
#define PM_RST_SDIO_1(0xc104030U)
```

Description

Versal Reset Nodes

Define PM_RST_I2C_PMC**Definition**

```
#define PM_RST_I2C_PMC(0xc104031U)
```

Description

Versal Reset Nodes

Define PM_RST_GPIO_PMC

Definition

```
#define PM_RST_GPIO_PMC(0xc104032U)
```

Description

Versal Reset Nodes

Define PM_RST_GEM_0

Definition

```
#define PM_RST_GEM_0(0xc104033U)
```

Description

Versal Reset Nodes

Define PM_RST_GEM_1

Definition

```
#define PM_RST_GEM_1(0xc104034U)
```

Description

Versal Reset Nodes

Define PM_RST_SPARE

Definition

```
#define PM_RST_SPARE(0xc104035U)
```

Description

Versal Reset Nodes

Define PM_RST_USB_0

Definition

```
#define PM_RST_USB_0(0xc104036U)
```

Description

Versal Reset Nodes

Define PM_RST_UART_0**Definition**

```
#define PM_RST_UART_0(0xc104037U)
```

Description

Versal Reset Nodes

Define PM_RST_UART_1**Definition**

```
#define PM_RST_UART_1(0xc104038U)
```

Description

Versal Reset Nodes

Define PM_RST_SPI_0**Definition**

```
#define PM_RST_SPI_0(0xc104039U)
```

Description

Versal Reset Nodes

Define PM_RST_SPI_1**Definition**

```
#define PM_RST_SPI_1(0xc10403aU)
```

Description

Versal Reset Nodes

Define PM_RST_CAN_FD_0

Definition

```
#define PM_RST_CAN_FD_0(0xc10403bU)
```

Description

Versal Reset Nodes

Define PM_RST_CAN_FD_1

Definition

```
#define PM_RST_CAN_FD_1(0xc10403cU)
```

Description

Versal Reset Nodes

Define PM_RST_I2C_0

Definition

```
#define PM_RST_I2C_0(0xc10403dU)
```

Description

Versal Reset Nodes

Define PM_RST_I2C_1

Definition

```
#define PM_RST_I2C_1(0xc10403eU)
```

Description

Versal Reset Nodes

Define PM_RST_GPIO_LPD

Definition

```
#define PM_RST_GPIO_LPD(0xc10403fU)
```

Description

Versal Reset Nodes

Define PM_RST_TTC_0**Definition**

```
#define PM_RST_TTC_0(0xc104040U)
```

Description

Versal Reset Nodes

Define PM_RST_TTC_1**Definition**

```
#define PM_RST_TTC_1(0xc104041U)
```

Description

Versal Reset Nodes

Define PM_RST_TTC_2**Definition**

```
#define PM_RST_TTC_2(0xc104042U)
```

Description

Versal Reset Nodes

Define PM_RST_TTC_3**Definition**

```
#define PM_RST_TTC_3(0xc104043U)
```

Description

Versal Reset Nodes

Define PM_RST_SWDT_FPD

Definition

```
#define PM_RST_SWDT_FPD(0xc104044U)
```

Description

Versal Reset Nodes

Define PM_RST_SWDT_LPD

Definition

```
#define PM_RST_SWDT_LPD(0xc104045U)
```

Description

Versal Reset Nodes

Define PM_RST_USB

Definition

```
#define PM_RST_USB(0xc104046U)
```

Description

Versal Reset Nodes

Define PM_RST_DPC

Definition

```
#define PM_RST_DPC(0xc208047U)
```

Description

Versal Reset Nodes

Define PM_RST_PMCDBG

Definition

```
#define PM_RST_PMCDBG(0xc208048U)
```

Description

Versal Reset Nodes

Define PM_RST_DBG_TRACE**Definition**

```
#define PM_RST_DBG_TRACE(0xc208049U)
```

Description

Versal Reset Nodes

Define PM_RST_DBG_FPD**Definition**

```
#define PM_RST_DBG_FPD(0xc20804aU)
```

Description

Versal Reset Nodes

Define PM_RST_DBG_TSTMP**Definition**

```
#define PM_RST_DBG_TSTMP(0xc20804bU)
```

Description

Versal Reset Nodes

Define PM_RST_RPU0_DBG**Definition**

```
#define PM_RST_RPU0_DBG(0xc20804cU)
```

Description

Versal Reset Nodes

Define PM_RST_RPU1_DBG

Definition

```
#define PM_RST_RPU1_DBG(0xc20804dU)
```

Description

Versal Reset Nodes

Define PM_RST_HSDP

Definition

```
#define PM_RST_HSDP(0xc20804eU)
```

Description

Versal Reset Nodes

Define PM_RST_DBG_LPD

Definition

```
#define PM_RST_DBG_LPD(0xc20804fU)
```

Description

Versal Reset Nodes

Define PM_RST_CPM_POR

Definition

```
#define PM_RST_CPM_POR(0xc30c050U)
```

Description

Versal Reset Nodes

Define PM_RST_CPM

Definition

```
#define PM_RST_CPM(0xc410051U)
```

Description

Versal Reset Nodes

Define PM_RST_CPMDBG**Definition**

```
#define PM_RST_CPMDBG(0xc208052U)
```

Description

Versal Reset Nodes

Define PM_RST_PCIE_CFG**Definition**

```
#define PM_RST_PCIE_CFG(0xc410053U)
```

Description

Versal Reset Nodes

Define PM_RST_PCIE_CORE0**Definition**

```
#define PM_RST_PCIE_CORE0(0xc410054U)
```

Description

Versal Reset Nodes

Define PM_RST_PCIE_CORE1**Definition**

```
#define PM_RST_PCIE_CORE1(0xc410055U)
```

Description

Versal Reset Nodes

Define PM_RST_PCIE_DMA

Definition

```
#define PM_RST_PCIE_DMA(0xc410056U)
```

Description

Versal Reset Nodes

Define PM_RST_CMN

Definition

```
#define PM_RST_CMN(0xc410057U)
```

Description

Versal Reset Nodes

Define PM_RST_L2_0

Definition

```
#define PM_RST_L2_0(0xc410058U)
```

Description

Versal Reset Nodes

Define PM_RST_L2_1

Definition

```
#define PM_RST_L2_1(0xc410059U)
```

Description

Versal Reset Nodes

Define PM_RST_ADDR_REMAP

Definition

```
#define PM_RST_ADDR_REMAP(0xc41005aU)
```

Description

Versal Reset Nodes

Define PM_RST_CPIO**Definition**

```
#define PM_RST_CPIO(0xc41005bU)
```

Description

Versal Reset Nodes

Define PM_RST_CPI1**Definition**

```
#define PM_RST_CPI1(0xc41005cU)
```

Description

Versal Reset Nodes

Define PM_RST_AIE_ARRAY**Definition**

```
#define PM_RST_AIE_ARRAY(0xc10405eU)
```

Description

Versal Reset Nodes

Define PM_RST_AIE_SHIM**Definition**

```
#define PM_RST_AIE_SHIM(0xc10405fU)
```

Description

Versal Reset Nodes

Clock Nodes

Definitions

Define PM_CLK_PMC_PLL

Definition

```
#define PM_CLK_PMC_PLL(0x8104001U)
```

Description

Versal Clock Nodes

Define PM_CLK_APU_PLL

Definition

```
#define PM_CLK_APU_PLL(0x8104002U)
```

Description

Versal Clock Nodes

Define PM_CLK_RPU_PLL

Definition

```
#define PM_CLK_RPU_PLL(0x8104003U)
```

Description

Versal Clock Nodes

Define PM_CLK_CPM_PLL

Definition

```
#define PM_CLK_CPM_PLL(0x8104004U)
```

Description

Versal Clock Nodes

Define PM_CLK_NOC_PLL

Definition

```
#define PM_CLK_NOC_PLL(0x8104005U)
```

Description

Versal Clock Nodes

Define PM_CLK_PMC_PRESRC

Definition

```
#define PM_CLK_PMC_PRESRC(0x8208007U)
```

Description

Versal Clock Nodes

Define PM_CLK_PMC_POSTCLK

Definition

```
#define PM_CLK_PMC_POSTCLK(0x8208008U)
```

Description

Versal Clock Nodes

Define PM_CLK_PMC_PLL_OUT

Definition

```
#define PM_CLK_PMC_PLL_OUT(0x8208009U)
```

Description

Versal Clock Nodes

Define PM_CLK_PPLL

Definition

```
#define PM_CLK_PPLL(0x820800aU)
```

Description

Versal Clock Nodes

Define PM_CLK_NOC_PRESRC**Definition**

```
#define PM_CLK_NOC_PRESRC(0x820800bU)
```

Description

Versal Clock Nodes

Define PM_CLK_NOC_POSTCLK**Definition**

```
#define PM_CLK_NOC_POSTCLK(0x820800cU)
```

Description

Versal Clock Nodes

Define PM_CLK_NOC_PLL_OUT**Definition**

```
#define PM_CLK_NOC_PLL_OUT(0x820800dU)
```

Description

Versal Clock Nodes

Define PM_CLK_NPLL**Definition**

```
#define PM_CLK_NPLL(0x820800eU)
```

Description

Versal Clock Nodes

Define PM_CLK_APU_PRESRC

Definition

```
#define PM_CLK_APU_PRESRC(0x820800fU)
```

Description

Versal Clock Nodes

Define PM_CLK_APU_POSTCLK

Definition

```
#define PM_CLK_APU_POSTCLK(0x8208010U)
```

Description

Versal Clock Nodes

Define PM_CLK_APU_PLL_OUT

Definition

```
#define PM_CLK_APU_PLL_OUT(0x8208011U)
```

Description

Versal Clock Nodes

Define PM_CLK_APLL

Definition

```
#define PM_CLK_APLL(0x8208012U)
```

Description

Versal Clock Nodes

Define PM_CLK_RPU_PRESRC

Definition

```
#define PM_CLK_RPU_PRESRC(0x8208013U)
```

Description

Versal Clock Nodes

Define PM_CLK_RPU_POSTCLK**Definition**

```
#define PM_CLK_RPU_POSTCLK(0x8208014U)
```

Description

Versal Clock Nodes

Define PM_CLK_RPU_PLL_OUT**Definition**

```
#define PM_CLK_RPU_PLL_OUT(0x8208015U)
```

Description

Versal Clock Nodes

Define PM_CLK_RPLL**Definition**

```
#define PM_CLK_RPLL(0x8208016U)
```

Description

Versal Clock Nodes

Define PM_CLK_CPM_PRESRC**Definition**

```
#define PM_CLK_CPM_PRESRC(0x8208017U)
```

Description

Versal Clock Nodes

Define PM_CLK_CPM_POSTCLK

Definition

```
#define PM_CLK_CPM_POSTCLK(0x8208018U)
```

Description

Versal Clock Nodes

Define PM_CLK_CPM_PLL_OUT

Definition

```
#define PM_CLK_CPM_PLL_OUT(0x8208019U)
```

Description

Versal Clock Nodes

Define PM_CLK_CPLL

Definition

```
#define PM_CLK_CPLL(0x820801aU)
```

Description

Versal Clock Nodes

Define PM_CLK_PPLL_TO_XPD

Definition

```
#define PM_CLK_PPLL_TO_XPD(0x820801bU)
```

Description

Versal Clock Nodes

Define PM_CLK_NPLL_TO_XPD

Definition

```
#define PM_CLK_NPLL_TO_XPD(0x820801cU)
```

Description

Versal Clock Nodes

Define PM_CLK_APLL_TO_XPD**Definition**

```
#define PM_CLK_APLL_TO_XPD(0x820801dU)
```

Description

Versal Clock Nodes

Define PM_CLK_RPLL_TO_XPD**Definition**

```
#define PM_CLK_RPLL_TO_XPD(0x820801eU)
```

Description

Versal Clock Nodes

Define PM_CLK_EFUSE_REF**Definition**

```
#define PM_CLK_EFUSE_REF(0x820801fU)
```

Description

Versal Clock Nodes

Define PM_CLK_SYSMON_REF**Definition**

```
#define PM_CLK_SYSMON_REF(0x8208020U)
```

Description

Versal Clock Nodes

Define PM_CLK_IRO_SUSPEND_REF

Definition

```
#define PM_CLK_IRO_SUSPEND_REF(0x8208021U)
```

Description

Versal Clock Nodes

Define PM_CLK_USB_SUSPEND

Definition

```
#define PM_CLK_USB_SUSPEND(0x8208022U)
```

Description

Versal Clock Nodes

Define PM_CLK_SWITCH_TIMEOUT

Definition

```
#define PM_CLK_SWITCH_TIMEOUT(0x8208023U)
```

Description

Versal Clock Nodes

Define PM_CLK_RCLK_PMC

Definition

```
#define PM_CLK_RCLK_PMC(0x8208024U)
```

Description

Versal Clock Nodes

Define PM_CLK_RCLK_LPD

Definition

```
#define PM_CLK_RCLK_LPD(0x8208025U)
```


Description

Versal Clock Nodes

Define PM_CLK_WDT**Definition**

```
#define PM_CLK_WDT(0x8208026U)
```

Description

Versal Clock Nodes

Define PM_CLK_TTC0**Definition**

```
#define PM_CLK_TTC0(0x8208027U)
```

Description

Versal Clock Nodes

Define PM_CLK_TTC1**Definition**

```
#define PM_CLK_TTC1(0x8208028U)
```

Description

Versal Clock Nodes

Define PM_CLK_TTC2**Definition**

```
#define PM_CLK_TTC2(0x8208029U)
```

Description

Versal Clock Nodes

Define PM_CLK_TTC3

Definition

```
#define PM_CLK_TTC3(0x820802aU)
```

Description

Versal Clock Nodes

Define PM_CLK_GEM_TSU

Definition

```
#define PM_CLK_GEM_TSU(0x820802bU)
```

Description

Versal Clock Nodes

Define PM_CLK_GEM_TSU_LB

Definition

```
#define PM_CLK_GEM_TSU_LB(0x820802cU)
```

Description

Versal Clock Nodes

Define PM_CLK_MUXED_IRO_DIV2

Definition

```
#define PM_CLK_MUXED_IRO_DIV2(0x820802dU)
```

Description

Versal Clock Nodes

Define PM_CLK_MUXED_IRO_DIV4

Definition

```
#define PM_CLK_MUXED_IRO_DIV4(0x820802eU)
```

Description

Versal Clock Nodes

Define PM_CLK_PSM_REF**Definition**

```
#define PM_CLK_PSM_REF(0x820802fU)
```

Description

Versal Clock Nodes

Define PM_CLK_GEM0_RX**Definition**

```
#define PM_CLK_GEM0_RX(0x8208030U)
```

Description

Versal Clock Nodes

Define PM_CLK_GEM0_TX**Definition**

```
#define PM_CLK_GEM0_TX(0x8208031U)
```

Description

Versal Clock Nodes

Define PM_CLK_GEM1_RX**Definition**

```
#define PM_CLK_GEM1_RX(0x8208032U)
```

Description

Versal Clock Nodes

Define PM_CLK_GEM1_TX

Definition

```
#define PM_CLK_GEM1_TX(0x8208033U)
```

Description

Versal Clock Nodes

Define PM_CLK_CPM_CORE_REF

Definition

```
#define PM_CLK_CPM_CORE_REF(0x8208034U)
```

Description

Versal Clock Nodes

Define PM_CLK_CPM_LSBUS_REF

Definition

```
#define PM_CLK_CPM_LSBUS_REF(0x8208035U)
```

Description

Versal Clock Nodes

Define PM_CLK_CPM_DBG_REF

Definition

```
#define PM_CLK_CPM_DBG_REF(0x8208036U)
```

Description

Versal Clock Nodes

Define PM_CLK_CPM_AUX0_REF

Definition

```
#define PM_CLK_CPM_AUX0_REF(0x8208037U)
```

Description

Versal Clock Nodes

Define PM_CLK_CPM_AUX1_REF**Definition**

```
#define PM_CLK_CPM_AUX1_REF(0x8208038U)
```

Description

Versal Clock Nodes

Define PM_CLK_QSPI_REF**Definition**

```
#define PM_CLK_QSPI_REF(0x8208039U)
```

Description

Versal Clock Nodes

Define PM_CLK_OSPI_REF**Definition**

```
#define PM_CLK_OSPI_REF(0x820803aU)
```

Description

Versal Clock Nodes

Define PM_CLK_SDIO0_REF**Definition**

```
#define PM_CLK_SDIO0_REF(0x820803bU)
```

Description

Versal Clock Nodes

Define PM_CLK_SDIO1_REF

Definition

```
#define PM_CLK_SDIO1_REF(0x820803cU)
```

Description

Versal Clock Nodes

Define PM_CLK_PMC_LSBUS_REF

Definition

```
#define PM_CLK_PMC_LSBUS_REF(0x820803dU)
```

Description

Versal Clock Nodes

Define PM_CLK_I2C_REF

Definition

```
#define PM_CLK_I2C_REF(0x820803eU)
```

Description

Versal Clock Nodes

Define PM_CLK_TEST_PATTERN_REF

Definition

```
#define PM_CLK_TEST_PATTERN_REF(0x820803fU)
```

Description

Versal Clock Nodes

Define PM_CLK_DFT_OSC_REF

Definition

```
#define PM_CLK_DFT_OSC_REF(0x8208040U)
```

Description

Versal Clock Nodes

Define PM_CLK_PMC_PL0_REF**Definition**

```
#define PM_CLK_PMC_PL0_REF(0x8208041U)
```

Description

Versal Clock Nodes

Define PM_CLK_PMC_PL1_REF**Definition**

```
#define PM_CLK_PMC_PL1_REF(0x8208042U)
```

Description

Versal Clock Nodes

Define PM_CLK_PMC_PL2_REF**Definition**

```
#define PM_CLK_PMC_PL2_REF(0x8208043U)
```

Description

Versal Clock Nodes

Define PM_CLK_PMC_PL3_REF**Definition**

```
#define PM_CLK_PMC_PL3_REF(0x8208044U)
```

Description

Versal Clock Nodes

Define PM_CLK_CFU_REF

Definition

```
#define PM_CLK_CFU_REF(0x8208045U)
```

Description

Versal Clock Nodes

Define PM_CLK_SPARE_REF

Definition

```
#define PM_CLK_SPARE_REF(0x8208046U)
```

Description

Versal Clock Nodes

Define PM_CLK_NPI_REF

Definition

```
#define PM_CLK_NPI_REF(0x8208047U)
```

Description

Versal Clock Nodes

Define PM_CLK_HSM0_REF

Definition

```
#define PM_CLK_HSM0_REF(0x8208048U)
```

Description

Versal Clock Nodes

Define PM_CLK_HSM1_REF

Definition

```
#define PM_CLK_HSM1_REF(0x8208049U)
```


Description

Versal Clock Nodes

Define PM_CLK_SD_DLL_REF**Definition**

```
#define PM_CLK_SD_DLL_REF(0x820804aU)
```

Description

Versal Clock Nodes

Define PM_CLK_FPD_TOP_SWITCH**Definition**

```
#define PM_CLK_FPD_TOP_SWITCH(0x820804bU)
```

Description

Versal Clock Nodes

Define PM_CLK_FPD_LSBUS**Definition**

```
#define PM_CLK_FPD_LSBUS(0x820804cU)
```

Description

Versal Clock Nodes

Define PM_CLK_ACPU**Definition**

```
#define PM_CLK_ACPU(0x820804dU)
```

Description

Versal Clock Nodes

Define PM_CLK_DBG_TRACE

Definition

```
#define PM_CLK_DBG_TRACE(0x820804eU)
```

Description

Versal Clock Nodes

Define PM_CLK_DBG_FPD

Definition

```
#define PM_CLK_DBG_FPD(0x820804fU)
```

Description

Versal Clock Nodes

Define PM_CLK_LPD_TOP_SWITCH

Definition

```
#define PM_CLK_LPD_TOP_SWITCH(0x8208050U)
```

Description

Versal Clock Nodes

Define PM_CLK_ADMA

Definition

```
#define PM_CLK_ADMA(0x8208051U)
```

Description

Versal Clock Nodes

Define PM_CLK_LPD_LSBUS

Definition

```
#define PM_CLK_LPD_LSBUS(0x8208052U)
```

Description

Versal Clock Nodes

Define PM_CLK_CPU_R5**Definition**

```
#define PM_CLK_CPU_R5(0x8208053U)
```

Description

Versal Clock Nodes

Define PM_CLK_CPU_R5_CORE**Definition**

```
#define PM_CLK_CPU_R5_CORE(0x8208054U)
```

Description

Versal Clock Nodes

Define PM_CLK_CPU_R5_OCM**Definition**

```
#define PM_CLK_CPU_R5_OCM(0x8208055U)
```

Description

Versal Clock Nodes

Define PM_CLK_CPU_R5_OCM2**Definition**

```
#define PM_CLK_CPU_R5_OCM2(0x8208056U)
```

Description

Versal Clock Nodes

Define PM_CLK_IOU_SWITCH

Definition

```
#define PM_CLK_IOU_SWITCH(0x8208057U)
```

Description

Versal Clock Nodes

Define PM_CLK_GEM0_REF

Definition

```
#define PM_CLK_GEM0_REF(0x8208058U)
```

Description

Versal Clock Nodes

Define PM_CLK_GEM1_REF

Definition

```
#define PM_CLK_GEM1_REF(0x8208059U)
```

Description

Versal Clock Nodes

Define PM_CLK_GEM_TSU_REF

Definition

```
#define PM_CLK_GEM_TSU_REF(0x820805aU)
```

Description

Versal Clock Nodes

Define PM_CLK_USB0_BUS_REF

Definition

```
#define PM_CLK_USB0_BUS_REF(0x820805bU)
```

Description

Versal Clock Nodes

Define PM_CLK_UART0_REF**Definition**

```
#define PM_CLK_UART0_REF(0x820805cU)
```

Description

Versal Clock Nodes

Define PM_CLK_UART1_REF**Definition**

```
#define PM_CLK_UART1_REF(0x820805dU)
```

Description

Versal Clock Nodes

Define PM_CLK_SPI0_REF**Definition**

```
#define PM_CLK_SPI0_REF(0x820805eU)
```

Description

Versal Clock Nodes

Define PM_CLK_SPI1_REF**Definition**

```
#define PM_CLK_SPI1_REF(0x820805fU)
```

Description

Versal Clock Nodes

Define PM_CLK_CAN0_REF

Definition

```
#define PM_CLK_CAN0_REF(0x8208060U)
```

Description

Versal Clock Nodes

Define PM_CLK_CAN1_REF

Definition

```
#define PM_CLK_CAN1_REF(0x8208061U)
```

Description

Versal Clock Nodes

Define PM_CLK_I2C0_REF

Definition

```
#define PM_CLK_I2C0_REF(0x8208062U)
```

Description

Versal Clock Nodes

Define PM_CLK_I2C1_REF

Definition

```
#define PM_CLK_I2C1_REF(0x8208063U)
```

Description

Versal Clock Nodes

Define PM_CLK_DBG_LPD

Definition

```
#define PM_CLK_DBG_LPD(0x8208064U)
```

Description

Versal Clock Nodes

Define PM_CLK_TIMESTAMP_REF**Definition**

```
#define PM_CLK_TIMESTAMP_REF(0x8208065U)
```

Description

Versal Clock Nodes

Define PM_CLK_DBG_TSTMP**Definition**

```
#define PM_CLK_DBG_TSTMP(0x8208066U)
```

Description

Versal Clock Nodes

Define PM_CLK_CPM_TOPSW_REF**Definition**

```
#define PM_CLK_CPM_TOPSW_REF(0x8208067U)
```

Description

Versal Clock Nodes

Define PM_CLK_USB3_DUAL_REF**Definition**

```
#define PM_CLK_USB3_DUAL_REF(0x8208068U)
```

Description

Versal Clock Nodes

Define PM_CLK_REF_CLK

Definition

```
#define PM_CLK_REF_CLK(0x830c06aU)
```

Description

Versal Clock Nodes

Define PM_CLK_PL_ALT_REF_CLK

Definition

```
#define PM_CLK_PL_ALT_REF_CLK(0x830c06bU)
```

Description

Versal Clock Nodes

Define PM_CLK_MUXED_IRO

Definition

```
#define PM_CLK_MUXED_IRO(0x830c06cU)
```

Description

Versal Clock Nodes

Define PM_CLK_PL_EXT

Definition

```
#define PM_CLK_PL_EXT(0x830c06dU)
```

Description

Versal Clock Nodes

Define PM_CLK_PL_LB

Definition

```
#define PM_CLK_PL_LB(0x830c06eU)
```


Description

Versal Clock Nodes

Define PM_CLK_MIO_50_OR_51**Definition**

```
#define PM_CLK_MIO_50_OR_51(0x830c06fU)
```

Description

Versal Clock Nodes

Define PM_CLK_MIO_24_OR_25**Definition**

```
#define PM_CLK_MIO_24_OR_25(0x830c070U)
```

Description

Versal Clock Nodes

Define PM_CLK_EMIO**Definition**

```
#define PM_CLK_EMIO(0x830c071U)
```

Description

Versal Clock Nodes

Define PM_CLK_MIO**Definition**

```
#define PM_CLK_MIO(0x830c072U)
```

Description

Versal Clock Nodes

Define PM_CLK_PL_PMC_ALT_REF_CLK

Definition

```
#define PM_CLK_PL_PMC_ALT_REF_CLK(0x830c076U)
```

Description

Versal Clock Nodes

Define PM_CLK_PL_LPD_ALT_REF_CLK

Definition

```
#define PM_CLK_PL_LPD_ALT_REF_CLK(0x830c077U)
```

Description

Versal Clock Nodes

Define PM_CLK_PL_FPD_ALT_REF_CLK

Definition

```
#define PM_CLK_PL_FPD_ALT_REF_CLK(0x830c078U)
```

Description

Versal Clock Nodes

MIO Nodes

Definitions

Define PM_STMIC_LMIO_0

Definition

```
#define PM_STMIC_LMIO_0(0x14104001U)
```

Description

Versal MIO Nodes

Define PM_STMIC_LMIO_1

Definition

```
#define PM_STMIC_LMIO_1(0x14104002U)
```

Description

Versal MIO Nodes

Define PM_STMIC_LMIO_2

Definition

```
#define PM_STMIC_LMIO_2(0x14104003U)
```

Description

Versal MIO Nodes

Define PM_STMIC_LMIO_3

Definition

```
#define PM_STMIC_LMIO_3(0x14104004U)
```

Description

Versal MIO Nodes

Define PM_STMIC_LMIO_4

Definition

```
#define PM_STMIC_LMIO_4(0x14104005U)
```

Description

Versal MIO Nodes

Define PM_STMIC_LMIO_5

Definition

```
#define PM_STMIC_LMIO_5(0x14104006U)
```

Description

Versal MIO Nodes

Define PM_STMIC_LMIO_6**Definition**

```
#define PM_STMIC_LMIO_6(0x14104007U)
```

Description

Versal MIO Nodes

Define PM_STMIC_LMIO_7**Definition**

```
#define PM_STMIC_LMIO_7(0x14104008U)
```

Description

Versal MIO Nodes

Define PM_STMIC_LMIO_8**Definition**

```
#define PM_STMIC_LMIO_8(0x14104009U)
```

Description

Versal MIO Nodes

Define PM_STMIC_LMIO_9**Definition**

```
#define PM_STMIC_LMIO_9(0x1410400aU)
```

Description

Versal MIO Nodes

Define PM_STMIC_LMIO_10

Definition

```
#define PM_STMIC_LMIO_10(0x1410400bU)
```

Description

Versal MIO Nodes

Define PM_STMIC_LMIO_11

Definition

```
#define PM_STMIC_LMIO_11(0x1410400cU)
```

Description

Versal MIO Nodes

Define PM_STMIC_LMIO_12

Definition

```
#define PM_STMIC_LMIO_12(0x1410400dU)
```

Description

Versal MIO Nodes

Define PM_STMIC_LMIO_13

Definition

```
#define PM_STMIC_LMIO_13(0x1410400eU)
```

Description

Versal MIO Nodes

Define PM_STMIC_LMIO_14

Definition

```
#define PM_STMIC_LMIO_14(0x1410400fU)
```

Description

Versal MIO Nodes

Define PM_STMIC_LMIO_15**Definition**

```
#define PM_STMIC_LMIO_15(0x14104010U)
```

Description

Versal MIO Nodes

Define PM_STMIC_LMIO_16**Definition**

```
#define PM_STMIC_LMIO_16(0x14104011U)
```

Description

Versal MIO Nodes

Define PM_STMIC_LMIO_17**Definition**

```
#define PM_STMIC_LMIO_17(0x14104012U)
```

Description

Versal MIO Nodes

Define PM_STMIC_LMIO_18**Definition**

```
#define PM_STMIC_LMIO_18(0x14104013U)
```

Description

Versal MIO Nodes

Define PM_STMIC_LMIO_19

Definition

```
#define PM_STMIC_LMIO_19(0x14104014U)
```

Description

Versal MIO Nodes

Define PM_STMIC_LMIO_20

Definition

```
#define PM_STMIC_LMIO_20(0x14104015U)
```

Description

Versal MIO Nodes

Define PM_STMIC_LMIO_21

Definition

```
#define PM_STMIC_LMIO_21(0x14104016U)
```

Description

Versal MIO Nodes

Define PM_STMIC_LMIO_22

Definition

```
#define PM_STMIC_LMIO_22(0x14104017U)
```

Description

Versal MIO Nodes

Define PM_STMIC_LMIO_23

Definition

```
#define PM_STMIC_LMIO_23(0x14104018U)
```

Description

Versal MIO Nodes

Define PM_STMIC_LMIO_24**Definition**

```
#define PM_STMIC_LMIO_24(0x14104019U)
```

Description

Versal MIO Nodes

Define PM_STMIC_LMIO_25**Definition**

```
#define PM_STMIC_LMIO_25(0x1410401aU)
```

Description

Versal MIO Nodes

Define PM_STMIC_PMIO_0**Definition**

```
#define PM_STMIC_PMIO_0(0x1410801bU)
```

Description

Versal MIO Nodes

Define PM_STMIC_PMIO_1**Definition**

```
#define PM_STMIC_PMIO_1(0x1410801cU)
```

Description

Versal MIO Nodes

Define PM_STMIC_PMIO_2

Definition

```
#define PM_STMIC_PMIO_2(0x1410801dU)
```

Description

Versal MIO Nodes

Define PM_STMIC_PMIO_3

Definition

```
#define PM_STMIC_PMIO_3(0x1410801eU)
```

Description

Versal MIO Nodes

Define PM_STMIC_PMIO_4

Definition

```
#define PM_STMIC_PMIO_4(0x1410801fU)
```

Description

Versal MIO Nodes

Define PM_STMIC_PMIO_5

Definition

```
#define PM_STMIC_PMIO_5(0x14108020U)
```

Description

Versal MIO Nodes

Define PM_STMIC_PMIO_6

Definition

```
#define PM_STMIC_PMIO_6(0x14108021U)
```

Description

Versal MIO Nodes

Define PM_STMIC_PMIO_7**Definition**

```
#define PM_STMIC_PMIO_7(0x14108022U)
```

Description

Versal MIO Nodes

Define PM_STMIC_PMIO_8**Definition**

```
#define PM_STMIC_PMIO_8(0x14108023U)
```

Description

Versal MIO Nodes

Define PM_STMIC_PMIO_9**Definition**

```
#define PM_STMIC_PMIO_9(0x14108024U)
```

Description

Versal MIO Nodes

Define PM_STMIC_PMIO_10**Definition**

```
#define PM_STMIC_PMIO_10(0x14108025U)
```

Description

Versal MIO Nodes

Define PM_STMIC_PMIO_11

Definition

```
#define PM_STMIC_PMIO_11(0x14108026U)
```

Description

Versal MIO Nodes

Define PM_STMIC_PMIO_12

Definition

```
#define PM_STMIC_PMIO_12(0x14108027U)
```

Description

Versal MIO Nodes

Define PM_STMIC_PMIO_13

Definition

```
#define PM_STMIC_PMIO_13(0x14108028U)
```

Description

Versal MIO Nodes

Define PM_STMIC_PMIO_14

Definition

```
#define PM_STMIC_PMIO_14(0x14108029U)
```

Description

Versal MIO Nodes

Define PM_STMIC_PMIO_15

Definition

```
#define PM_STMIC_PMIO_15(0x1410802aU)
```

Description

Versal MIO Nodes

Define PM_STMIC_PMIO_16**Definition**

```
#define PM_STMIC_PMIO_16(0x1410802bU)
```

Description

Versal MIO Nodes

Define PM_STMIC_PMIO_17**Definition**

```
#define PM_STMIC_PMIO_17(0x1410802cU)
```

Description

Versal MIO Nodes

Define PM_STMIC_PMIO_18**Definition**

```
#define PM_STMIC_PMIO_18(0x1410802dU)
```

Description

Versal MIO Nodes

Define PM_STMIC_PMIO_19**Definition**

```
#define PM_STMIC_PMIO_19(0x1410802eU)
```

Description

Versal MIO Nodes

Define PM_STMIC_PMIO_20

Definition

```
#define PM_STMIC_PMIO_20(0x1410802fU)
```

Description

Versal MIO Nodes

Define PM_STMIC_PMIO_21

Definition

```
#define PM_STMIC_PMIO_21(0x14108030U)
```

Description

Versal MIO Nodes

Define PM_STMIC_PMIO_22

Definition

```
#define PM_STMIC_PMIO_22(0x14108031U)
```

Description

Versal MIO Nodes

Define PM_STMIC_PMIO_23

Definition

```
#define PM_STMIC_PMIO_23(0x14108032U)
```

Description

Versal MIO Nodes

Define PM_STMIC_PMIO_24

Definition

```
#define PM_STMIC_PMIO_24(0x14108033U)
```

Description

Versal MIO Nodes

Define PM_STMIC_PMIO_25**Definition**

```
#define PM_STMIC_PMIO_25(0x14108034U)
```

Description

Versal MIO Nodes

Define PM_STMIC_PMIO_26**Definition**

```
#define PM_STMIC_PMIO_26(0x14108035U)
```

Description

Versal MIO Nodes

Define PM_STMIC_PMIO_27**Definition**

```
#define PM_STMIC_PMIO_27(0x14108036U)
```

Description

Versal MIO Nodes

Define PM_STMIC_PMIO_28**Definition**

```
#define PM_STMIC_PMIO_28(0x14108037U)
```

Description

Versal MIO Nodes

Define PM_STMIC_PMIO_29

Definition

```
#define PM_STMIC_PMIO_29(0x14108038U)
```

Description

Versal MIO Nodes

Define PM_STMIC_PMIO_30

Definition

```
#define PM_STMIC_PMIO_30(0x14108039U)
```

Description

Versal MIO Nodes

Define PM_STMIC_PMIO_31

Definition

```
#define PM_STMIC_PMIO_31(0x1410803aU)
```

Description

Versal MIO Nodes

Define PM_STMIC_PMIO_32

Definition

```
#define PM_STMIC_PMIO_32(0x1410803bU)
```

Description

Versal MIO Nodes

Define PM_STMIC_PMIO_33

Definition

```
#define PM_STMIC_PMIO_33(0x1410803cU)
```

Description

Versal MIO Nodes

Define PM_STMIC_PMIO_34**Definition**

```
#define PM_STMIC_PMIO_34(0x1410803dU)
```

Description

Versal MIO Nodes

Define PM_STMIC_PMIO_35**Definition**

```
#define PM_STMIC_PMIO_35(0x1410803eU)
```

Description

Versal MIO Nodes

Define PM_STMIC_PMIO_36**Definition**

```
#define PM_STMIC_PMIO_36(0x1410803fU)
```

Description

Versal MIO Nodes

Define PM_STMIC_PMIO_37**Definition**

```
#define PM_STMIC_PMIO_37(0x14108040U)
```

Description

Versal MIO Nodes

Define PM_STMIC_PMIO_38

Definition

```
#define PM_STMIC_PMIO_38(0x14108041U)
```

Description

Versal MIO Nodes

Define PM_STMIC_PMIO_39

Definition

```
#define PM_STMIC_PMIO_39(0x14108042U)
```

Description

Versal MIO Nodes

Define PM_STMIC_PMIO_40

Definition

```
#define PM_STMIC_PMIO_40(0x14108043U)
```

Description

Versal MIO Nodes

Define PM_STMIC_PMIO_41

Definition

```
#define PM_STMIC_PMIO_41(0x14108044U)
```

Description

Versal MIO Nodes

Define PM_STMIC_PMIO_42

Definition

```
#define PM_STMIC_PMIO_42(0x14108045U)
```

Description

Versal MIO Nodes

Define PM_STMIC_PMIO_43**Definition**

```
#define PM_STMIC_PMIO_43(0x14108046U)
```

Description

Versal MIO Nodes

Define PM_STMIC_PMIO_44**Definition**

```
#define PM_STMIC_PMIO_44(0x14108047U)
```

Description

Versal MIO Nodes

Define PM_STMIC_PMIO_45**Definition**

```
#define PM_STMIC_PMIO_45(0x14108048U)
```

Description

Versal MIO Nodes

Define PM_STMIC_PMIO_46**Definition**

```
#define PM_STMIC_PMIO_46(0x14108049U)
```

Description

Versal MIO Nodes

Define PM_STMIC_PMIO_47

Definition

```
#define PM_STMIC_PMIO_47(0x1410804aU)
```

Description

Versal MIO Nodes

Define PM_STMIC_PMIO_48

Definition

```
#define PM_STMIC_PMIO_48(0x1410804bU)
```

Description

Versal MIO Nodes

Define PM_STMIC_PMIO_49

Definition

```
#define PM_STMIC_PMIO_49(0x1410804cU)
```

Description

Versal MIO Nodes

Define PM_STMIC_PMIO_50

Definition

```
#define PM_STMIC_PMIO_50(0x1410804dU)
```

Description

Versal MIO Nodes

Define PM_STMIC_PMIO_51

Definition

```
#define PM_STMIC_PMIO_51(0x1410804eU)
```

Description

Versal MIO Nodes

Device Nodes

Definitions

Define PM_DEV_PLD_0

Definition

```
#define PM_DEV_PLD_0(0x18700000U)
```

Description

Versal Device Nodes

Define PM_DEV_PMC_PROC

Definition

```
#define PM_DEV_PMC_PROC(0x18104001U)
```

Description

Versal Device Nodes

Define PM_DEV_PSM_PROC

Definition

```
#define PM_DEV_PSM_PROC(0x18108002U)
```

Description

Versal Device Nodes

Define PM_DEV_ACPU_0

Definition

```
#define PM_DEV_ACPU_0(0x1810c003U)
```

Description

Versal Device Nodes

Define PM_DEV_ACPU_1**Definition**

```
#define PM_DEV_ACPU_1(0x1810c004U)
```

Description

Versal Device Nodes

Define PM_DEV_RPU0_0**Definition**

```
#define PM_DEV_RPU0_0(0x18110005U)
```

Description

Versal Device Nodes

Define PM_DEV_RPU0_1**Definition**

```
#define PM_DEV_RPU0_1(0x18110006U)
```

Description

Versal Device Nodes

Define PM_DEV_OCM_0**Definition**

```
#define PM_DEV_OCM_0(0x18314007U)
```

Description

Versal Device Nodes

Define PM_DEV_OCM_1

Definition

```
#define PM_DEV_OCM_1(0x18314008U)
```

Description

Versal Device Nodes

Define PM_DEV_OCM_2

Definition

```
#define PM_DEV_OCM_2(0x18314009U)
```

Description

Versal Device Nodes

Define PM_DEV_OCM_3

Definition

```
#define PM_DEV_OCM_3(0x1831400aU)
```

Description

Versal Device Nodes

Define PM_DEV_TCM_0_A

Definition

```
#define PM_DEV_TCM_0_A(0x1831800bU)
```

Description

Versal Device Nodes

Define PM_DEV_TCM_0_B

Definition

```
#define PM_DEV_TCM_0_B(0x1831800cU)
```

Description

Versal Device Nodes

Define PM_DEV_TCM_1_A**Definition**

```
#define PM_DEV_TCM_1_A(0x1831800dU)
```

Description

Versal Device Nodes

Define PM_DEV_TCM_1_B**Definition**

```
#define PM_DEV_TCM_1_B(0x1831800eU)
```

Description

Versal Device Nodes

Define PM_DEV_L2_BANK_0**Definition**

```
#define PM_DEV_L2_BANK_0(0x1831c00fU)
```

Description

Versal Device Nodes

Define PM_DEV_DDR_0**Definition**

```
#define PM_DEV_DDR_0(0x18320010U)
```

Description

Versal Device Nodes

Define PM_DEV_USB_0

Definition

```
#define PM_DEV_USB_0(0x18224018U)
```

Description

Versal Device Nodes

Define PM_DEV_GEM_0

Definition

```
#define PM_DEV_GEM_0(0x18224019U)
```

Description

Versal Device Nodes

Define PM_DEV_GEM_1

Definition

```
#define PM_DEV_GEM_1(0x1822401aU)
```

Description

Versal Device Nodes

Define PM_DEV_SPI_0

Definition

```
#define PM_DEV_SPI_0(0x1822401bU)
```

Description

Versal Device Nodes

Define PM_DEV_SPI_1

Definition

```
#define PM_DEV_SPI_1(0x1822401cU)
```


Description

Versal Device Nodes

Define PM_DEV_I2C_0**Definition**

```
#define PM_DEV_I2C_0(0x1822401dU)
```

Description

Versal Device Nodes

Define PM_DEV_I2C_1**Definition**

```
#define PM_DEV_I2C_1(0x1822401eU)
```

Description

Versal Device Nodes

Define PM_DEV_CAN_FD_0**Definition**

```
#define PM_DEV_CAN_FD_0(0x1822401fU)
```

Description

Versal Device Nodes

Define PM_DEV_CAN_FD_1**Definition**

```
#define PM_DEV_CAN_FD_1(0x18224020U)
```

Description

Versal Device Nodes

Define PM_DEV_UART_0

Definition

```
#define PM_DEV_UART_0(0x18224021U)
```

Description

Versal Device Nodes

Define PM_DEV_UART_1

Definition

```
#define PM_DEV_UART_1(0x18224022U)
```

Description

Versal Device Nodes

Define PM_DEV_GPIO

Definition

```
#define PM_DEV_GPIO(0x18224023U)
```

Description

Versal Device Nodes

Define PM_DEV_TTC_0

Definition

```
#define PM_DEV_TTC_0(0x18224024U)
```

Description

Versal Device Nodes

Define PM_DEV_TTC_1

Definition

```
#define PM_DEV_TTC_1(0x18224025U)
```

Description

Versal Device Nodes

Define PM_DEV_TTC_2**Definition**

```
#define PM_DEV_TTC_2(0x18224026U)
```

Description

Versal Device Nodes

Define PM_DEV_TTC_3**Definition**

```
#define PM_DEV_TTC_3(0x18224027U)
```

Description

Versal Device Nodes

Define PM_DEV_SWDT_LPD**Definition**

```
#define PM_DEV_SWDT_LPD(0x18224028U)
```

Description

Versal Device Nodes

Define PM_DEV_SWDT_FPD**Definition**

```
#define PM_DEV_SWDT_FPD(0x18224029U)
```

Description

Versal Device Nodes

Define PM_DEV_OSPI

Definition

```
#define PM_DEV_OSPI(0x1822402aU)
```

Description

Versal Device Nodes

Define PM_DEV_QSPI

Definition

```
#define PM_DEV_QSPI(0x1822402bU)
```

Description

Versal Device Nodes

Define PM_DEV_GPIO_PMC

Definition

```
#define PM_DEV_GPIO_PMC(0x1822402cU)
```

Description

Versal Device Nodes

Define PM_DEV_I2C_PMC

Definition

```
#define PM_DEV_I2C_PMC(0x1822402dU)
```

Description

Versal Device Nodes

Define PM_DEV_SDIO_0

Definition

```
#define PM_DEV_SDIO_0(0x1822402eU)
```

Description

Versal Device Nodes

Define PM_DEV_SDIO_1**Definition**

```
#define PM_DEV_SDIO_1(0x1822402fU)
```

Description

Versal Device Nodes

Define PM_DEV_RTC**Definition**

```
#define PM_DEV_RTC(0x18224034U)
```

Description

Versal Device Nodes

Define PM_DEV_ADMA_0**Definition**

```
#define PM_DEV_ADMA_0(0x18224035U)
```

Description

Versal Device Nodes

Define PM_DEV_ADMA_1**Definition**

```
#define PM_DEV_ADMA_1(0x18224036U)
```

Description

Versal Device Nodes

Define PM_DEV_ADMA_2

Definition

```
#define PM_DEV_ADMA_2(0x18224037U)
```

Description

Versal Device Nodes

Define PM_DEV_ADMA_3

Definition

```
#define PM_DEV_ADMA_3(0x18224038U)
```

Description

Versal Device Nodes

Define PM_DEV_ADMA_4

Definition

```
#define PM_DEV_ADMA_4(0x18224039U)
```

Description

Versal Device Nodes

Define PM_DEV_ADMA_5

Definition

```
#define PM_DEV_ADMA_5(0x1822403aU)
```

Description

Versal Device Nodes

Define PM_DEV_ADMA_6

Definition

```
#define PM_DEV_ADMA_6(0x1822403bU)
```

Description

Versal Device Nodes

Define PM_DEV_ADMA_7**Definition**

```
#define PM_DEV_ADMA_7(0x1822403cU)
```

Description

Versal Device Nodes

Define PM_DEV_IPI_0**Definition**

```
#define PM_DEV_IPI_0(0x1822403dU)
```

Description

Versal Device Nodes

Define PM_DEV_IPI_1**Definition**

```
#define PM_DEV_IPI_1(0x1822403eU)
```

Description

Versal Device Nodes

Define PM_DEV_IPI_2**Definition**

```
#define PM_DEV_IPI_2(0x1822403fU)
```

Description

Versal Device Nodes

Define PM_DEV_IPI_3

Definition

```
#define PM_DEV_IPI_3(0x18224040U)
```

Description

Versal Device Nodes

Define PM_DEV_IPI_4

Definition

```
#define PM_DEV_IPI_4(0x18224041U)
```

Description

Versal Device Nodes

Define PM_DEV_IPI_5

Definition

```
#define PM_DEV_IPI_5(0x18224042U)
```

Description

Versal Device Nodes

Define PM_DEV_IPI_6

Definition

```
#define PM_DEV_IPI_6(0x18224043U)
```

Description

Versal Device Nodes

Define PM_DEV_SOC

Definition

```
#define PM_DEV_SOC(0x18428044U)
```


Description

Versal Device Nodes

Define PM_DEV_DDRMC_0**Definition**

```
#define PM_DEV_DDRMC_0(0x18520045U)
```

Description

Versal Device Nodes

Define PM_DEV_DDRMC_1**Definition**

```
#define PM_DEV_DDRMC_1(0x18520046U)
```

Description

Versal Device Nodes

Define PM_DEV_DDRMC_2**Definition**

```
#define PM_DEV_DDRMC_2(0x18520047U)
```

Description

Versal Device Nodes

Define PM_DEV_DDRMC_3**Definition**

```
#define PM_DEV_DDRMC_3(0x18520048U)
```

Description

Versal Device Nodes

Define PM_DEV_GT_0

Definition

```
#define PM_DEV_GT_0(0x1862c049U)
```

Description

Versal Device Nodes

Define PM_DEV_GT_1

Definition

```
#define PM_DEV_GT_1(0x1862c04aU)
```

Description

Versal Device Nodes

Define PM_DEV_GT_2

Definition

```
#define PM_DEV_GT_2(0x1862c04bU)
```

Description

Versal Device Nodes

Define PM_DEV_GT_3

Definition

```
#define PM_DEV_GT_3(0x1862c04cU)
```

Description

Versal Device Nodes

Define PM_DEV_GT_4

Definition

```
#define PM_DEV_GT_4(0x1862c04dU)
```

Description

Versal Device Nodes

Define PM_DEV_GT_5**Definition**

```
#define PM_DEV_GT_5(0x1862c04eU)
```

Description

Versal Device Nodes

Define PM_DEV_GT_6**Definition**

```
#define PM_DEV_GT_6(0x1862c04fU)
```

Description

Versal Device Nodes

Define PM_DEV_GT_7**Definition**

```
#define PM_DEV_GT_7(0x1862c050U)
```

Description

Versal Device Nodes

Define PM_DEV_GT_8**Definition**

```
#define PM_DEV_GT_8(0x1862c051U)
```

Description

Versal Device Nodes

Define PM_DEV_GT_9

Definition

```
#define PM_DEV_GT_9(0x1862c052U)
```

Description

Versal Device Nodes

Define PM_DEV_GT_10

Definition

```
#define PM_DEV_GT_10(0x1862c053U)
```

Description

Versal Device Nodes

Define PM_DEV_EFUSE_CACHE

Definition

```
#define PM_DEV_EFUSE_CACHE(0x18330054U)
```

Description

Versal Device Nodes

Define PM_DEV_AMS_ROOT

Definition

```
#define PM_DEV_AMS_ROOT(0x18224055U)
```

Description

Versal Device Nodes

Define PM_DEV_AIE

Definition

```
#define PM_DEV_AIE(0x18224072U)
```

Description

Versal Device Nodes

Define PM_DEV_IPI_PMC**Definition**

```
#define PM_DEV_IPI_PMC(0x18224073U)
```

Description

Versal Device Nodes

Define PM_DEV_GGS_0**Definition**

```
#define PM_DEV_GGS_0(0x18248000U)
```

Description

Versal Virtual Device Nodes

Define PM_DEV_GGS_1**Definition**

```
#define PM_DEV_GGS_1(0x18248001U)
```

Description

Versal Virtual Device Nodes

Define PM_DEV_GGS_2**Definition**

```
#define PM_DEV_GGS_2(0x18248002U)
```

Description

Versal Virtual Device Nodes

Define PM_DEV_GGS_3

Definition

```
#define PM_DEV_GGS_3(0x18248003U)
```

Description

Versal Virtual Device Nodes

Define PM_DEV_PGGS_0

Definition

```
#define PM_DEV_PGGS_0(0x1824c004U)
```

Description

Versal Virtual Device Nodes

Define PM_DEV_PGGS_1

Definition

```
#define PM_DEV_PGGS_1(0x1824c005U)
```

Description

Versal Virtual Device Nodes

Define PM_DEV_PGGS_2

Definition

```
#define PM_DEV_PGGS_2(0x1824c006U)
```

Description

Versal Virtual Device Nodes

Define PM_DEV_PGGS_3

Definition

```
#define PM_DEV_PGGS_3(0x1824c007U)
```

Description

Versal Virtual Device Nodes

Define PM_DEV_HB_MON_0**Definition**

```
#define PM_DEV_HB_MON_0(0x18250000U)
```

Description

Versal Virtual Device Nodes

Define PM_DEV_HB_MON_1**Definition**

```
#define PM_DEV_HB_MON_1(0x18250001U)
```

Description

Versal Virtual Device Nodes

Define PM_DEV_HB_MON_2**Definition**

```
#define PM_DEV_HB_MON_2(0x18250002U)
```

Description

Versal Virtual Device Nodes

Define PM_DEV_HB_MON_3**Definition**

```
#define PM_DEV_HB_MON_3(0x18250003U)
```

Description

Versal Virtual Device Nodes

Subsystem Nodes

Definitions

Define PM_SUBSYS_DEFAULT

Definition

```
#define PM_SUBSYS_DEFAULT(0x1c000000U)
```

Description

Versal Subsystem Nodes

Define PM_SUBSYS_PMC

Definition

```
#define PM_SUBSYS_PMC(0x1c000001U)
```

Description

Versal Subsystem Nodes

Data Structure Index

The following is a list of data structures:

- [XPm_DeviceStatus](#)
- [XPm_Master](#)
- [XPm_NodeStatus](#)
- [XPm_Notifier](#)
- [pm_acknowledge](#)
- [pm_init_suspend](#)

pm_acknowledge

Declaration

```
typedef struct
{
    u8 received,
    u32 node,
    XStatus status,
    u32 opp,
    bool received,
    enum XPmNodeId node
} pm_acknowledge;
```

Table 396: Structure pm_acknowledge member description

Member	Description
received	Has acknowledge argument been received?
node	Node argument about which the acknowledge is
status	Acknowledged status
opp	Operating point of node in question
received	Has acknowledge argument been received?
node	Node argument about which the acknowledge is

pm_init_suspend

Declaration

```
typedef struct
{
    u8 received,
    enum XPmSuspendReason reason,
    u32 latency,
    u32 state,
    u32 timeout,
    bool received
} pm_init_suspend;
```

Table 397: Structure pm_init_suspend member description

Member	Description
received	Has init suspend callback been received/handled
reason	Reason of initializing suspend
latency	Maximum allowed latency
state	Targeted sleep/suspend state
timeout	Period of time the client has to response
received	Has init suspend callback been received/handled

XPm_DeviceStatus

Contains the device status information.

Declaration

```
typedef struct
{
    u32 Status,
    u32 Requirement,
    u32 Usage
} XPm_DeviceStatus;
```

Table 398: Structure XPm_DeviceStatus member description

Member	Description
Status	Device power state
Requirement	Requirements placed on the device by the caller
Usage	Usage info (which subsystem is using the device)

XPm_Master

[XPm_Master](#) - Master structure

Declaration

```
typedef struct
{
    enum XPmNodeId node_id,
    const u32 pwrctl,
    const u32 pwrdn_mask,
    XIpiPsu * ipi
} XPm_Master;
```

Table 399: Structure XPm_Master member description

Member	Description
node_id	Node ID
pwrctl	Power Control Register Address
pwrdn_mask	Power Down Mask
ipi	IPI Instance

XPm_NodeStatus

[XPm_NodeStatus](#) - struct containing node status information

Declaration

```
typedef struct
{
    u32 status,
    u32 requirements,
    u32 usage
} XPm_NodeStatus;
```

Table 400: Structure XPm_NodeStatus member description

Member	Description
status	Node power state
requirements	Current requirements asserted on the node (slaves only)
usage	Usage information (which master is currently using the slave)

XPm_Notifier

[XPm_Notifier](#) - Notifier structure registered with a callback by app

Declaration

```
typedef struct
{
    void(*const callback)(struct XPm_Ntfier *const notifier),
    const u32 node,
    enum XPmNotifyEvent event,
    u32 flags,
    u32 oppoint,
    u32 received,
    struct XPm_Ntfier * next,
    enum XPmNodeId node
} XPm_Notifier;
```

Table 401: Structure XPm_Notifier member description

Member	Description
callback	Custom callback handler to be called when the notification is received. The custom handler would execute from interrupt context, it shall return quickly and must not block! (enables event-driven notifications)
node	Node argument (the node to receive notifications about)
event	Event argument (the event type to receive notifications about)
flags	Flags
oppoint	Operating point of node in question. Contains the value updated when the last event notification is received. User shall not modify this value while the notifier is registered.
received	How many times the notification has been received - to be used by application (enables polling). User shall not modify this value while the notifier is registered.
next	Pointer to next notifier in linked list. Must not be modified while the notifier is registered. User shall not ever modify this value.

Table 401: Structure XPm_Notifier member description (cont'd)

Member	Description
node	Node argument (the node to receive notifications about)

Library Parameters in MSS File

The XilPM Library can be integrated with a system using the following snippet in the Microprocessor Software Specification (MSS) file:

The list of flags is as follows:

- rpu0_as_power_management_master
- rpu1_as_power_management_master
- apu_as_power_management_master
- rpu0_as_reset_management_master
- rpu1_as_reset_management_master
- apu_as_reset_management_master

The flags have two values:

- TRUE (default value): Master(APU/RPU0/RPU1) is enabled as power/reset management master
- FALSE: Master(APU/RPU0/RPU1) is disabled as power/reset management master

Note: Flag rpu1_as_power_management_master and rpu1_as_reset_management_master are only counted if the RPU is in split mode.

XiIFPGA Library v6.0

Overview

The XiIFPGA library provides an interface for the users to configure the programmable logic (PL) from PS. The library is designed to run on top of Xilinx[®] standalone BSPs. It acts as a bridge between the user application and the PL device. It provides the required functionality to the user application for configuring the PL device with the required bitstream.

Note: XiIFPGA does not support a system with no DDR memory.

Supported Features

Zynq UltraScale+ MPSoC Platform

The following features are supported in Zynq UltraScale+ MPSoC platform:

- Full bitstream loading
- Partial bitstream loading
- Encrypted bitstream loading
- Authenticated bitstream loading
- Authenticated and encrypted bitstream loading
- Readback of configuration registers
- Readback of configuration data

Versal ACAP

The following features are supported in Versal™ platform:

- Full/Partial bitstream loading
- Device Key Encrypted bitstream loading
- Authenticated bitstream loading
- Authenticated and Device-key encrypted bitstream loading

Zynq UltraScale+ MPSoC XilFPGA Library

The library when used for Zynq UltraScale+ MPSoC runs on top of Xilinx standalone BSPs. It is tested for Arm Cortex-A53, Arm Cortex-R5F and MicroBlaze. In the most common use case, you should run this library on the PMU MicroBlaze with PMU firmware to serve requests from either Linux or U-Boot for bitstream programming.

XilFPGA Library Interface Modules

XilFPGA library uses the below major components to configure the PL through PS.

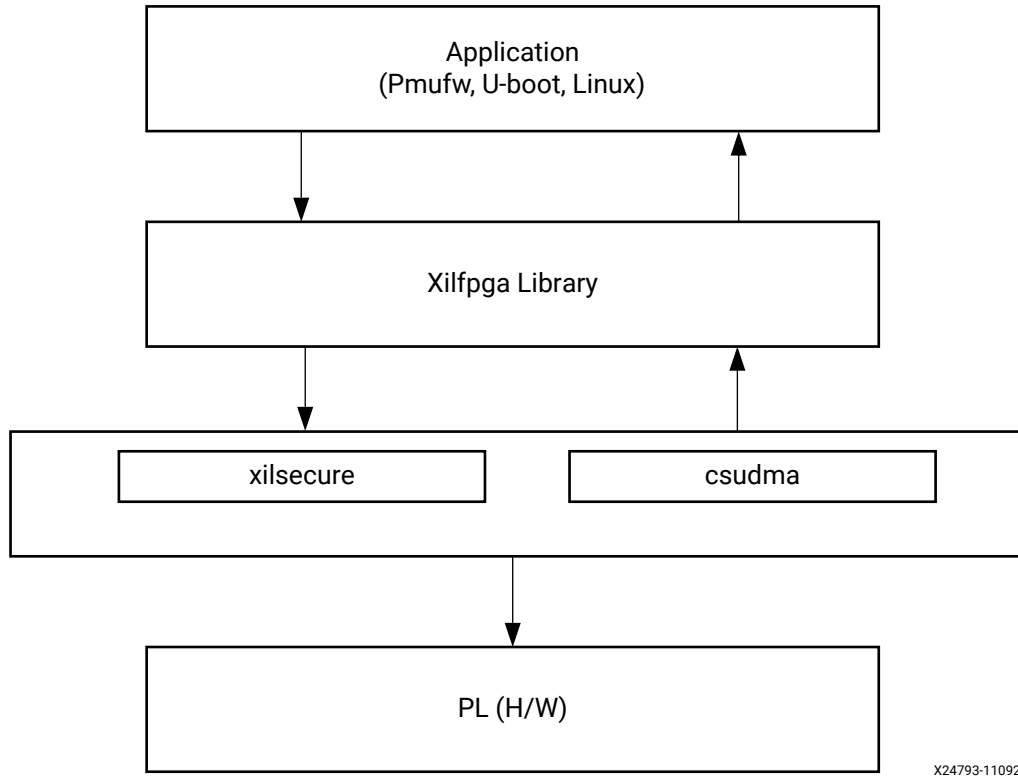
- **Processor Configuration Access Port (PCAP):** The processor configuration access port (PCAP) is used to configure the programmable logic (PL) through the PS.
- **CSU DMA Driver:** The CSU DMA driver is used to transfer the actual bitstream file for the PS to PL after PCAP initialization.
- **XilSecure Library:** The XilSecure library provides APIs to access secure hardware on the Zynq UltraScale+ MPSoCs.

Design Summary

XilFPGA library acts as a bridge between the user application and the PL device.

It provides the required functionality to the user application for configuring the PL Device with the required bitstream. The following figure illustrates an implementation where the XilFPGA library needs the CSU DMA driver APIs to transfer the bitstream from the DDR to the PL region. The XilFPGA library also needs the XilSecure library APIs to support programming authenticated and encrypted bitstream files.

Figure 3: XilFPGA Design Summary

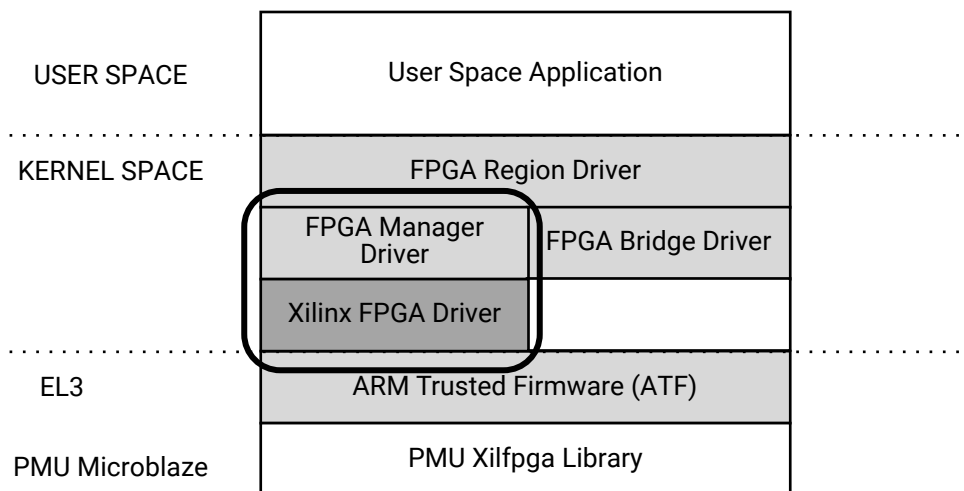


X24793-110920

Flow Diagram

The following figure illustrates the Bitstream loading flow on the Linux operating system.

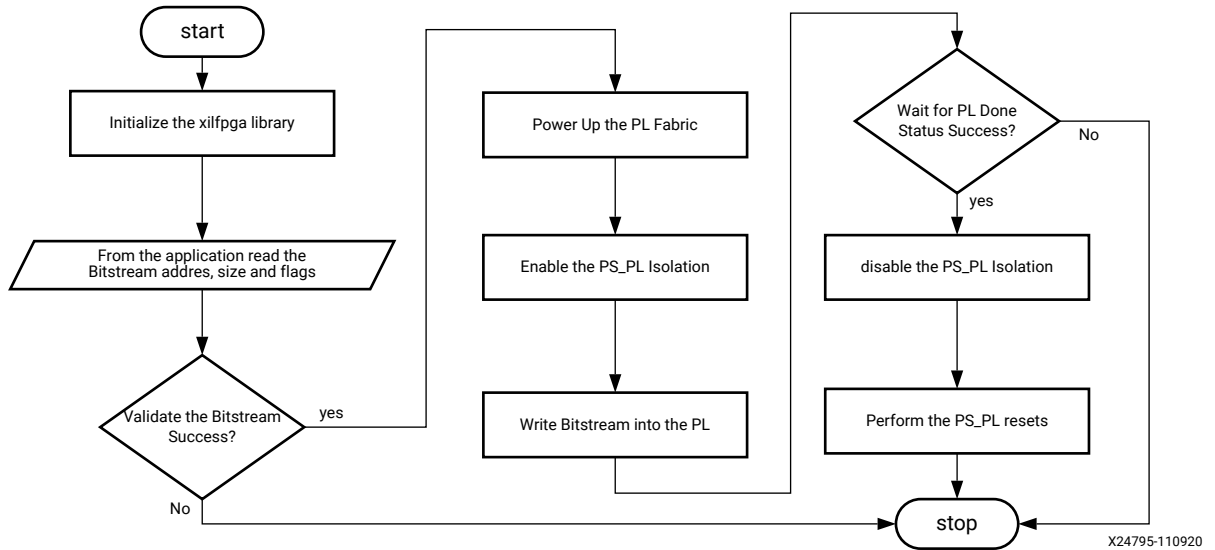
Figure 4: Bitstream loading on Linux:



X24794-110920

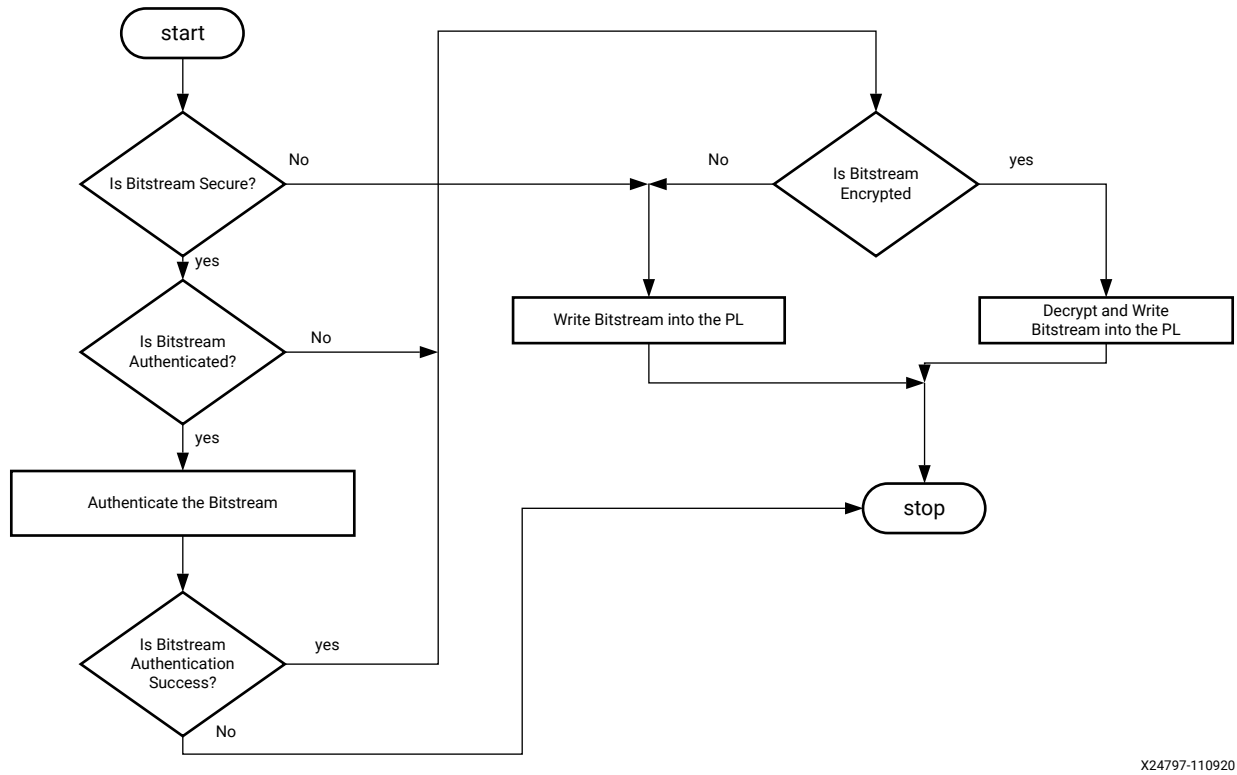
The following figure illustrates the XilFPGA PL configuration sequence.

Figure 5: XilFPGA PL Configuration Sequence



The following figure illustrates the Bitstream write sequence.

Figure 6: Bitstream write Sequence



XilFPGA BSP Configuration Settings

XilFPGA provides the following user configuration BSP settings.

Table 402: User Configuration BSP Settings

Parameter Name	Type	Default Value	Description
secure_mode	bool	TRUE	Enables secure Bitstream loading support.
debug_mode	bool	FALSE	Enables the Debug messages in the library.
ocm_address	int	0xffffc0000	Address used for the Bitstream authentication.
base_address	int	0x80000	Holds the Bitstream Image address. This flag is valid only for the Cortex-A53 or the Cortex-R5F processors.
secure_readback	bool	FALSE	Should be set to TRUE to allow the secure Bitstream configuration data read back. The application environment should be secure and trusted to enable this flag.
secure_environment	bool	FALSE	Enable the secure PL configuration using the IPI. This flag is valid only for the Cortex-A53 or the Cortex-R5F processors.

Setting up the Software System

To use XilFPGA in a software application, you must first compile the XilFPGA library as part of software application.

1. Click **File** > **New** > **Platform Project**.
2. Click **Specify** to create a new Hardware Platform Specification.
3. Provide a new name for the domain in the **Project name** field if you wish to override the default value.
4. Select the location for the board support project files. To use the default location, as displayed in the **Location** field, leave the **Use default location** check box selected. Otherwise, deselect the checkbox and then type or browse to the directory location.
5. From the **Hardware Platform** drop-down choose the appropriate platform for your application or click the **New** button to browse to an existing Hardware Platform.
6. Select the target CPU from the drop-down list.
7. From the **Board Support Package OS** list box, select the type of board support package to create. A description of the platform types displays in the box below the drop-down list.

8. Click **Finish**. The wizard creates a new software platform and displays it in the Vitis Navigator pane.
9. Select **Project > Build Automatically** to automatically build the board support package. The Board Support Package Settings dialog box opens. Here you can customize the settings for the domain.
10. Click **OK** to accept the settings, build the platform, and close the dialog box.
11. From the Explorer, double-click platform.spr file and select the appropriate domain/board support package. The overview page opens.
12. In the overview page, click **Modify BSP Settings**.
13. Using the Board Support Package Settings page, you can select the OS Version and which of the Supported Libraries are to be enabled in this domain/BSP.
14. Select the **xilfpga** library from the list of **Supported Libraries**.
15. Expand the **Overview** tree and select **xilfpga**. The configuration options for xilfpga are listed.
16. Configure the xilfpga by providing the base address of the Bit-stream file (DDR address) and the size (in bytes).
17. Click **OK**. The board support package automatically builds with XilFPGA library included in it.
18. Double-click the **system.mss** file to open it in the **Editor** view.
19. Scroll-down and locate the **Libraries** section.
20. Click **Import Examples** adjacent to the XilFPGA entry.

Enabling Security

To support encrypted and/or authenticated bitstream loading, you must enable security in PMUFW.

1. Click **File > New > Platform Project**.
2. Click **Specify** to create a new Hardware Platform Specification.
3. Provide a new name for the domain in the **Project name** field if you wish to override the default value.
4. Select the location for the board support project files. To use the default location, as displayed in the **Location** field, leave the **Use default location** check box selected. Otherwise, deselect the checkbox and then type or browse to the directory location.
5. From the **Hardware Platform** drop-down choose the appropriate platform for your application or click the **New** button to browse to an existing Hardware Platform.
6. Select the target CPU from the drop-down list.
7. From the **Board Support Package OS** list box, select the type of board support package to create. A description of the platform types displays in the box below the drop-down list.

8. Click **Finish**. The wizard creates a new software platform and displays it in the Vitis Navigator pane.
9. Select **Project > Build Automatically** to automatically build the board support package. The Board Support Package Settings dialog box opens. Here you can customize the settings for the domain.
10. Click **OK** to accept the settings, build the platform, and close the dialog box.
11. From the Explorer, double-click platform.spr file and select the appropriate domain/board support package. The overview page opens.
12. In the overview page, click **Modify BSP Settings**.
13. Using the Board Support Package Settings page, you can select the OS Version and which of the Supported Libraries are to be enabled in this domain/BSP.
14. Expand the **Overview** tree and select **Standalone**.
15. Select a supported hardware platform.
16. Select **psu_pmu_0** from the **Processor** drop-down list.
17. Click Next. The **Templates** page appears.
18. Select **ZynqMP PMU Firmware** from the **Available Templates** list.
19. Click **Finish**. A PMUFW application project is created with the required BSPs.
20. Double-click the **system.mss** file to open it in the **Editor** view.
21. Click the **Modify this BSP's Settings** button. The **Board Support Package Settings** dialog box appears.
22. Select **xilfpga**. Various settings related to the library appears.
23. Select **secure_mode** and modify its value to **true**.
24. Click **OK** to save the configuration.

Note: By default the secure mode is enabled. To disable modify the secure_mode value to FALSE.

Bitstream Authentication Using External Memory

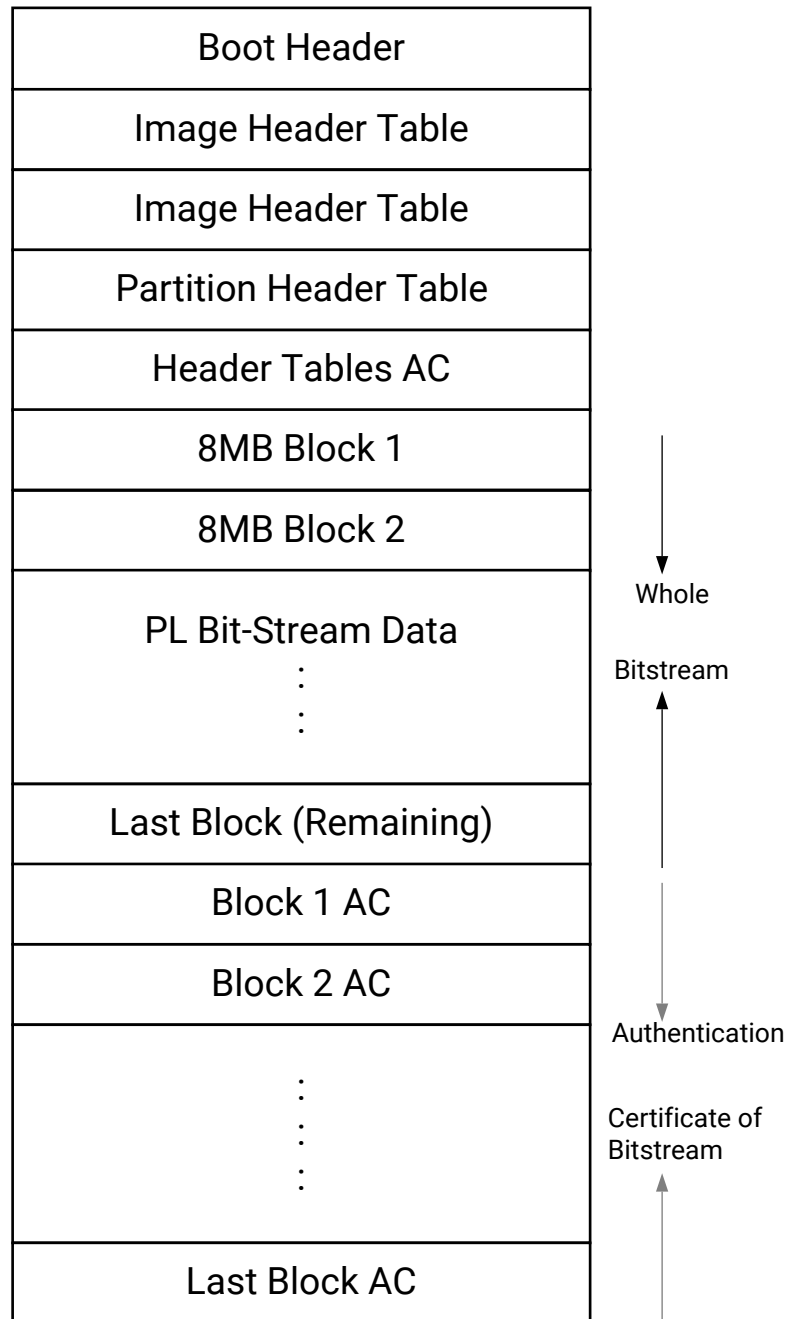
The size of the bitstream is too large to be contained inside the device, therefore external memory must be used. The use of external memory could create a security risk. Therefore, two methods are provided to authenticate and decrypt a Bitstream.

- The first method uses the internal OCM as temporary buffer for all cryptographic operations. For details, see [Loading an Authenticated and Encrypted Bitstream using OCM](#). This method does not require trust in external DDR memory.
- The second method uses external DDR memory for authentication prior to sending the data to the decryptor, there by requiring trust in the external DDR memory. For details, see [Loading an Authenticated and Encrypted Bitstream using DDR Memory Controller](#).

Bootgen

When a bitstream is requested for authentication, Bootgen divides the bitstream into blocks of 8 MB each and assigns an authentication certificate for each block. If the size of a bitstream is not in multiples of 8 MB, the last block contains the remaining Bitstream data.

Figure 7: **Bitstream Blocks**



X24796-110920

When both authentication and encryption are enabled, encryption is first done on the Bitstream. Bootgen then divides the encrypted data into blocks and assigns an Authentication certificate for each block.

Loading an Authenticated and Encrypted Bitstream using OCM

To authenticate the bitstream partition securely, XilFPGA uses the FSBL section's OCM memory to copy the bitstream in chunks from DDR memory. This method does not require trust in the external DDR memory to securely authenticate and decrypt a bitstream.

The software workflow for authenticating Bitstream is as follows:

1. XilFPGA identifies DDR-secure bitstream image base address. XilFPGA has two buffers in OCM, the Read Buffer is of size 56 KB and hash of chunks to store intermediate hashes calculated for each 56 KB of every 8 MB block.
2. XilFPGA copies a 56 KB chunk from the first 8 MB block to Read Buffer.
3. XilFPGA calculates hash on 56 KB and stores in HashsOfChunks.
4. XilFPGA repeats steps 1 to 3 until the entire 8 MB of block is completed.

Note: The chunk that XilFPGA copies can be of any size. A 56 KB chunk is taken for better performance.
5. XilFPGA authenticates the 8 MB Bitstream chunk.
6. Once the authentication is successful, XilFPGA starts copying information in batches of 56 KB starting from the first block which is located in DDR memory to Read Buffer, calculates the hash, and then compares it with the hash stored at HashsOfChunks.
7. If the hash comparison is successful, FSBL transmits data to PCAP using DMA (for un-encrypted Bitstream) or AES (if encryption is enabled).
8. XilFPGA repeats steps 6 and 7 until the entire 8 MB block is completed.
9. Repeats steps 1 through 8 for all the blocks of Bitstream.

Note: You can perform warm restart even when the FSBL OCM memory is used to authenticate the Bitstream. PMU stores the FSBL image in the PMU reserved DDR memory which is visible and accessible only to the PMU and restores back to the OCM when APU-only restart needs to be performed. PMU uses the SHA3 hash to validate the FSBL image integrity before restoring the image to OCM (PMU takes care of only image integrity and not confidentiality).

Loading an Authenticated and Encrypted Bitstream using DDR Memory Controller

The software workflow for authenticating bitstream is as follows:

1. XilFPGA identifies DDR-secure bitstream image base address.

2. XiIFPGA calculates hash for the first 8 MB block.
3. XiIFPGA authenticates the 8 MB block while stored in the external DDR memory.
4. If Authentication is successful, XiIFPGA transmits data to PCAP via DMA (for unencrypted Bitstream) or AES (if encryption is enabled).
5. Repeats steps 1 through 4 for all the blocks of bitstream.

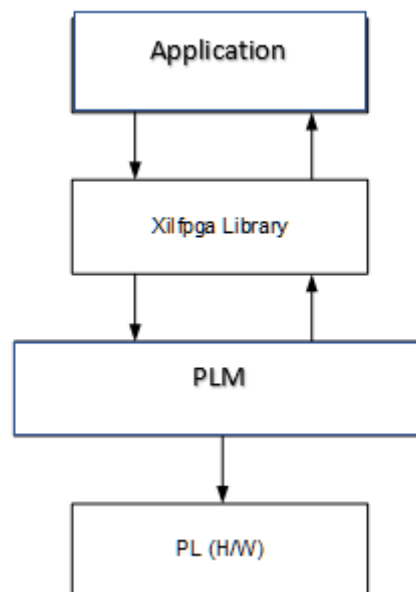
Versal ACAP XiIFPGA Library

The library, when used for Versal ACAP, runs on top of Xilinx standalone BSPs. It is tested for Arm Cortex A72 and Arm Cortex-R5F. The most common use-case is that the user can run this on either Arm Cortex-A72 or Arm Cortex-R5F and requests PLM to load the bitstream (PDI) on to the PL. In Versal the bitstream always comes in the format of PDI file.

Design Summary

The following figure shows the flow diagram of how an user application interacts with XiIFPGA interacts and other SW components for loading the bitstream from DDR to the PL region.

Figure 8: XiIFPGA Design Summary



BSP Configuration Settings

XiIFPGA provides the following user configuration BSP settings.

Table 403: BSP Configuration Settings

Parameter Name	Type	Default Value	Description
base_address	int	0x80000	Holds the bitstream image address. This flag is valid only for the Cortex-A72 or the Cortex-R5F processors.

Setting up the Software System

To use XilFPGA in a software application, you must first compile the XilFPGA library as part of software application.

1. Click **File** → **New** → **Platform Project**.
2. Click **Specify** to create a new Hardware Platform Specification.
3. Provide a new name for the domain in the Project name field if you wish to override the default value.
4. Select the location for the board support project files. To use the default location, as displayed in the Location field, leave the Use default location check box selected. Otherwise, deselect the checkbox and then type or browse to the directory location.
5. From the Hardware Platform drop-down choose the appropriate platform for your application or click the New button to browse to an existing Hardware Platform.
6. Select the target CPU from the drop-down list.
7. From the Board Support Package OS list box, select the type of board support package to create. A description of the platform types displays in the box below the drop-down list.
8. Click Finish. The wizard creates a new software platform and displays it in the Vitis Navigator pane.
9. Select **Project** → **Build Automatically** to automatically build the board support package. The Board Support Package Settings dialog box opens. Here you can customize the settings for the domain.
10. Click OK to accept the settings, build the platform, and close the dialog box.
11. From the Explorer, double-click **platform.spr** file and select the appropriate domain/board support package. The overview page opens.
12. In the overview page, click **Modify BSP Settings**.
13. Using the Board Support Package Settings page, you can select the OS Version and which of the Supported Libraries are to be enabled in this domain/BSP.
14. Select the xilfpga and xilmailbox library from the list of Supported Libraries.
15. Expand the Overview tree and select xilfpga. The configuration options for xilfpga are listed.
16. Configure the xilfpga by providing the base address of the bitstream file (DDR address) and the size (in bytes).

17. Click **OK**. The board support package automatically builds with XilFPGA library included in it.
18. Double-click the `system.mss` file to open it in the Editor view.
19. Scroll-down and locate the Libraries section.
20. Click **Import Examples** adjacent to the XilFPGA entry.

XilFPGA APIs

This section provides detailed descriptions of the XilFPGA library APIs.

XilFPGA error = Lower-level errors + Interface-specific errors + XilFPGA top-layer errors

Table 404: XilFPGA Error

Lower-level Errors (other libraries or drivers used by XilFPGA)	Interface-specific Errors (PCAP Interface)	XilFPGA Top-layer Errors
31 - 16 bits	15 - 8 bits	7 - 0 bits

- **XilFPGA Top Layer:** The functionality exist in this layers is completely interface agnostic. It provides a unique interface to load the Bitstream across multiple platforms.
- **Interface Specific Layer:** This layer is responsible for providing the interface-specific errors. In case of Zynq UltraScale+ MPSoC, it provides the errors related to PCAP interface.
- **XilFPGA Lower Layer:** This layer is responsible for providing the error related to the lower level drivers used by interface layer.

XilFPGA APIs for Versal ACAPs and Zynq UltraScale+ MPSoCs

The following APIs are supported by Versal ACAPs and Zynq UltraScale+ MPSoCs.

Table 405: Quick Function Reference

Type	Name	Arguments
u32	XFpga_Initialize	XFpga * InstancePtr

Table 405: Quick Function Reference (cont'd)

Type	Name	Arguments
u32	XFpga_PL_BitStream_Load	XFpga * InstancePtr UINTPTR BitstreamImageAddr UINTPTR AddrPtr_Size u32 Flags
u32	XFpga_BitStream_Load	XFpga * InstancePtr UINTPTR BitstreamImageAddr UINTPTR KeyAddr u32 Size u32 Flags
u32	XFpga_PL_ValidateImage	XFpga * InstancePtr UINTPTR BitstreamImageAddr UINTPTR AddrPtr_Size u32 Flags
u32	XFpga_ValidateImage	XFpga * InstancePtr UINTPTR BitstreamImageAddr UINTPTR KeyAddr u32 Size u32 Flags
u32	XFpga_PL_Preconfig	XFpga * InstancePtr
u32	XFpga_PL_Write	XFpga * InstancePtr UINTPTR BitstreamImageAddr UINTPTR AddrPtr_Size u32 Flags
u32	XFpga_Write_PL	XFpga * InstancePtr UINTPTR BitstreamImageAddr UINTPTR KeyAddr u32 Size u32 Flags
u32	XFpga_PL_PostConfig	XFpga * InstancePtr

Functions

XFpga_PL_BitStream_Load

The API is used to load the bitstream file into the PL region.

It supports the Vivado-generated bitstream(*.bit, *.bin) and Bootgen-generated bitstream(*.bin) loading, Passing valid bitstream size(Size) information is mandatory for Vivado-generated bitstream, For Bootgen-generated bitstreams bitstream size is taken from the bitstream header.

Note:

- This API will be deprecated in the 2022.1 release. Use the updated ' `XFpga_BitStream_Load()` ' API to perform the same functionality.

Prototype

```
u32 XFpga_PL_BitStream_Load(XFpga *InstancePtr, UINTPTR BitstreamImageAddr,
    UINTPTR AddrPtr_Size, u32 Flags);
```

Parameters

The following table lists the `XFpga_PL_BitStream_Load` function arguments.

Table 406: XFpga_PL_BitStream_Load Arguments

Type	Name	Description
XFpga *	InstancePtr	Pointer to the XFpga structure.
UINTPTR	BitstreamImageAddr	Linear memory bitstream image base address
UINTPTR	AddrPtr_Size	Aes key address which is used for decryption (or) In none secure bitstream used it is used store size of bitstream image.

Table 406: XFpga_PL_BitStream_Load Arguments (cont'd)

Type	Name	Description
u32	Flags	Flags are used to specify the type of bitstream file. <ul style="list-style-type: none"> • BIT(0) - Bitstream type <ul style="list-style-type: none"> ◦ 0 - Full bitstream ◦ 1 - Partial bitstream ◦ 1 - Enable • BIT(1) - Authentication using DDR <ul style="list-style-type: none"> ◦ 1 - Enable ◦ 0 - Disable • BIT(2) - Authentication using OCM <ul style="list-style-type: none"> ◦ 1 - Enable ◦ 0 - Disable • BIT(3) - User-key Encryption <ul style="list-style-type: none"> ◦ 1 - Enable ◦ 0 - Disable • BIT(4) - Device-key Encryption <ul style="list-style-type: none"> ◦ 1 - Enable ◦ 0 - Disable

Returns

- XFPGA_SUCCESS on success
- Error code on failure.
- XFPGA_VALIDATE_ERROR.
- XFPGA_PRE_CONFIG_ERROR.
- XFPGA_WRITE_BITSTREAM_ERROR.
- XFPGA_POST_CONFIG_ERROR.

XFpga_BitStream_Load

The API is used to load the bitstream file into the PL region.

It supports the Vivado-generated bitstream(*.bit, *.bin) and Bootgen-generated bitstream(*.bin) loading, Passing valid bitstream size(Size) information is mandatory for Vivado-generated bitstream, For Bootgen-generated bitstreams bitstream size is taken from the bitstream header.

Prototype

```
u32 XFpga_BitStream_Load(XFpga *InstancePtr, UINTPTR BitstreamImageAddr,
    UINTPTR KeyAddr, u32 Size, u32 Flags);
```

Parameters

The following table lists the `XFpga_BitStream_Load` function arguments.

Table 407: XFpga_BitStream_Load Arguments

Type	Name	Description
XFpga *	InstancePtr	Pointer to the XFpga structure.
UINTPTR	BitstreamImageAddr	Linear memory bitstream image base address
UINTPTR	KeyAddr	Aes key address which is used for decryption.
u32	Size	Used to store size of bitstream image.
u32	Flags	Flags are used to specify the type of bitstream file. <ul style="list-style-type: none"> • BIT(0) - Bitstream type <ul style="list-style-type: none"> ◦ 0 - Full bitstream ◦ 1 - Partial bitstream • BIT(1) - Authentication using DDR <ul style="list-style-type: none"> ◦ 1 - Enable ◦ 0 - Disable • BIT(2) - Authentication using OCM <ul style="list-style-type: none"> ◦ 1 - Enable ◦ 0 - Disable • BIT(3) - User-key Encryption <ul style="list-style-type: none"> ◦ 1 - Enable ◦ 0 - Disable • BIT(4) - Device-key Encryption <ul style="list-style-type: none"> ◦ 1 - Enable ◦ 0 - Disable

Returns

- XFPGA_SUCCESS on success
- Error code on failure.
- XFPGA_VALIDATE_ERROR.
- XFPGA_PRE_CONFIG_ERROR.

- XFPGA_WRITE_BITSTREAM_ERROR.
- XFPGA_POST_CONFIG_ERROR.

XFpga_PL_ValidateImage

This function is used to validate the bitstream image.

Note:

- This API will be deprecated in the 2022.1 release. Use the updated 'XFpga_ValidateImage()' API to perform the same functionality.

Prototype

```
u32 XFpga_PL_ValidateImage(XFpga *InstancePtr, UINTPTR BitstreamImageAddr,
    UINTPTR AddrPtr_Size, u32 Flags);
```

Parameters

The following table lists the XFpga_PL_ValidateImage function arguments.

Table 408: XFpga_PL_ValidateImage Arguments

Type	Name	Description
XFpga *	InstancePtr	Pointer to the XFpga structure
UINTPTR	BitstreamImageAddr	Linear memory bitstream image base address
UINTPTR	AddrPtr_Size	Aes key address which is used for decryption (or) In none secure bitstream used it is used store size of bitstream image.

Table 408: XFpga_PL_ValidateImage Arguments (cont'd)

Type	Name	Description
u32	Flags	Flags are used to specify the type of bitstream file. <ul style="list-style-type: none"> • BIT(0) - bitstream type <ul style="list-style-type: none"> ◦ 0 - Full bitstream ◦ 1 - Partial bitstream • BIT(1) - Authentication using DDR <ul style="list-style-type: none"> ◦ 1 - Enable ◦ 0 - Disable • BIT(2) - Authentication using OCM <ul style="list-style-type: none"> ◦ 1 - Enable ◦ 0 - Disable • BIT(3) - User-key Encryption <ul style="list-style-type: none"> ◦ 1 - Enable ◦ 0 - Disable • BIT(4) - Device-key Encryption <ul style="list-style-type: none"> ◦ 1 - Enable ◦ 0 - Disable

Returns

Codes as mentioned in xilfpga.h

XFpga_ValidateImage

This function is used to validate the bitstream image.

Prototype

```
u32 XFpga_ValidateImage(XFpga *InstancePtr, UINTPTR BitstreamImageAddr,
    UINTPTR KeyAddr, u32 Size, u32 Flags);
```

Parameters

The following table lists the XFpga_ValidateImage function arguments.

Table 409: XFpga_ValidateImage Arguments

Type	Name	Description
XFpga *	InstancePtr	Pointer to the XFpga structure

Table 409: XFpga_ValidateImage Arguments (cont'd)

Type	Name	Description
UINTPTR	BitstreamImageAddr	Linear memory bitstream image base address
UINTPTR	KeyAddr	Aes key address which is used for decryption.
u32	Size	Used to store size of bitstream image.
u32	Flags	Flags are used to specify the type of bitstream file. <ul style="list-style-type: none"> • BIT(0) - Bitstream type <ul style="list-style-type: none"> ◦ 0 - Full bitstream ◦ 1 - Partial bitstream • BIT(1) - Authentication using DDR <ul style="list-style-type: none"> ◦ 1 - Enable ◦ 0 - Disable • BIT(2) - Authentication using OCM <ul style="list-style-type: none"> ◦ 1 - Enable ◦ 0 - Disable • BIT(3) - User-key Encryption <ul style="list-style-type: none"> ◦ 1 - Enable ◦ 0 - Disable • BIT(4) - Device-key Encryption <ul style="list-style-type: none"> ◦ 1 - Enable ◦ 0 - Disable

Returns

Codes as mentioned in xilfpga.h

XFpga_PL_Preconfig

This function prepares the FPGA to receive configuration data.

Prototype

```
u32 XFpga_PL_Preconfig(XFpga *InstancePtr);
```

Parameters

The following table lists the XFpga_PL_Preconfig function arguments.

Table 410: XFpga_PL_Preconfig Arguments

Type	Name	Description
XFpga *	InstancePtr	is the pointer to the XFpga.

Returns

Codes as mentioned in xilfpga.h

XFpga_PL_Write

This function writes the count bytes of configuration data into the PL.

Note:

- This API will be deprecated in the 2022.1 release. Use the updated 'XFpga_Write_Pl()' API to perform the same functionality.

Prototype

```
u32 XFpga_PL_Write(XFpga *InstancePtr, UINTPTR BitstreamImageAddr, UINTPTR
AddrPtr_Size, u32 Flags);
```

Parameters

The following table lists the XFpga_PL_Write function arguments.

Table 411: XFpga_PL_Write Arguments

Type	Name	Description
XFpga *	InstancePtr	Pointer to the XFpga structure
UINTPTR	BitstreamImageAddr	Linear memory bitstream image base address
UINTPTR	AddrPtr_Size	Aes key address which is used for decryption (or) In none secure bitstream used it is used store size of bitstream image.

Table 411: XFpga_PL_Write Arguments (cont'd)

Type	Name	Description
u32	Flags	Flags are used to specify the type of bitstream file. <ul style="list-style-type: none"> • BIT(0) - Bitstream type <ul style="list-style-type: none"> ◦ 0 - Full bitstream ◦ 1 - Partial bitstream • BIT(1) - Authentication using DDR <ul style="list-style-type: none"> ◦ 1 - Enable ◦ 0 - Disable • BIT(2) - Authentication using OCM <ul style="list-style-type: none"> ◦ 1 - Enable ◦ 0 - Disable • BIT(3) - User-key Encryption <ul style="list-style-type: none"> ◦ 1 - Enable ◦ 0 - Disable • BIT(4) - Device-key Encryption <ul style="list-style-type: none"> ◦ 1 - Enable ◦ 0 - Disable

Returns

Codes as mentioned in xilfpga.h

XFpga_Write_Pl

This function writes the count bytes of configuration data into the PL.

Prototype

```
u32 XFpga_Write_Pl(XFpga *InstancePtr, UINTPTR BitstreamImageAddr, UINTPTR
KeyAddr, u32 Size, u32 Flags);
```

Parameters

The following table lists the XFpga_Write_Pl function arguments.

Table 412: XFpga_Write_Pl Arguments

Type	Name	Description
XFpga *	InstancePtr	Pointer to the XFpga structure

Table 412: XFpga_Write_PL Arguments (cont'd)

Type	Name	Description
UINTPTR	BitstreamImageAddr	Linear memory bitstream image base address
UINTPTR	KeyAddr	Aes key address which is used for decryption.
u32	Size	Used to store size of bitstream image.
u32	Flags	Flags are used to specify the type of bitstream file. <ul style="list-style-type: none"> • BIT(0) - Bitstream type <ul style="list-style-type: none"> ◦ 0 - Full bitstream ◦ 1 - Partial bitstream • BIT(1) - Authentication using DDR <ul style="list-style-type: none"> ◦ 1 - Enable ◦ 0 - Disable • BIT(2) - Authentication using OCM <ul style="list-style-type: none"> ◦ 1 - Enable ◦ 0 - Disable • BIT(3) - User-key Encryption <ul style="list-style-type: none"> ◦ 1 - Enable ◦ 0 - Disable • BIT(4) - Device-key Encryption <ul style="list-style-type: none"> ◦ 1 - Enable ◦ 0 - Disable

Returns

Codes as mentioned in xilfpga.h

XFpga_PL_PostConfig

This function sets the FPGA to the operating state after writing.

Prototype

```
u32 XFpga_PL_PostConfig(XFpga *InstancePtr);
```

Parameters

The following table lists the XFpga_PL_PostConfig function arguments.

Table 413: XFpga_PL_PostConfig Arguments

Type	Name	Description
XFpga *	InstancePtr	Pointer to the XFpga structure

Returns

Codes as mentioned in xilfpga.h

XFpga_Initialize

This API, when called, initializes the XFPGA interface with default settings.

Prototype

```
u32 XFpga_Initialize(XFpga *InstancePtr);
```

Parameters

The following table lists the XFpga_Initialize function arguments.

Table 414: XFpga_Initialize Arguments

Type	Name	Description
XFpga *	InstancePtr	Pointer to the XFpga structure.

Returns

Returns Status

- XFPGA_SUCCESS on success
- Error code on failure

XilFPGA APIs for Zynq UltraScale+ MPSoC

The following APIs are supported only by Zynq UltraScale+ MPSoCs.

Table 415: Quick Function Reference

Type	Name	Arguments
u32	XFpga_GetPIConfigData	XFpga * InstancePtr UINTPTR ReadbackAddr u32 NumFrames

Table 415: Quick Function Reference (cont'd)

Type	Name	Arguments
u32	XFpga_GetPlConfigReg	XFpga * InstancePtr UINTPTR ReadbackAddr u32 ConfigRegAddr
u32	XFpga_InterfaceStatus	XFpga * InstancePtr

Functions

XFpga_GetPlConfigData

This function provides functionality to read back the PL configuration data.

Note:

- This API is not supported for the Versal platform.

Prototype

```
u32 XFpga_GetPlConfigData(XFpga *InstancePtr, UINTPTR ReadbackAddr, u32 NumFrames);
```

Parameters

The following table lists the XFpga_GetPlConfigData function arguments.

Table 416: XFpga_GetPlConfigData Arguments

Type	Name	Description
XFpga *	InstancePtr	Pointer to the XFpga structure
UINTPTR	ReadbackAddr	Address which is used to store the PL readback data.
u32	NumFrames	The number of FPGA configuration frames to read.

Returns

- XFPGA_SUCCESS, if successful
- XFPGA_FAILURE, if unsuccessful
- XFPGA_OPS_NOT_IMPLEMENTED, if implementation not exists.

XFpga_GetPlConfigReg

This function provides PL specific configuration register values.

Note:

- This API is not supported for the Versal platform.

Prototype

```
u32 XFpga_GetPlConfigReg(XFpga *InstancePtr, UINTPTR ReadbackAddr, u32
ConfigRegAddr);
```

Parameters

The following table lists the `XFpga_GetPlConfigReg` function arguments.

Table 417: XFpga_GetPlConfigReg Arguments

Type	Name	Description
XFpga *	InstancePtr	Pointer to the XFpga structure
UINTPTR	ReadbackAddr	Address which is used to store the PL Configuration register data.
u32	ConfigRegAddr	Configuration register address as mentioned in the UG570.

Returns

- `XFPGA_SUCCESS` if, successful
- `XFPGA_FAILURE` if, unsuccessful
- `XFPGA_OPS_NOT_IMPLEMENTED`, if implementation not exists.

XFpga_InterfaceStatus

This function provides the status of the PL programming interface.

Note:

- This API is not supported for the Versal platform.

Prototype

```
u32 XFpga_InterfaceStatus(XFpga *InstancePtr);
```

Parameters

The following table lists the `XFpga_InterfaceStatus` function arguments.

Table 418: XFpga_InterfaceStatus Arguments

Type	Name	Description
XFpga *	InstancePtr	Pointer to the XFpga structure

Returns

Status of the PL programming interface

XilMailbox v1.3

XilMailbox Library API Reference

The XilMailbox library provides the top-level hooks for sending or receiving an inter-processor interrupt (IPI) message using the Zynq® UltraScale+™ MPSoC and Versal ACAP IPI hardware. This library supports Zynq UltraScale+ MPSoC and Versal platforms. For more details on the IPI interrupts, see the Zynq UltraScale+ MPSoC Technical Reference Manual ([UG1085](#)).

The XilMailbox library supports the following features:

- Triggering an IPI to a remote agent.
- Sending an IPI message to a remote agent.
- Callbacks for error and recv IPI events.
- Reading an IPI message.

The following is a list of software initialization events for a given IPI channel:

- IPI Initialization using XMailbox_Initialize() function. This step initializes a library instance for the given IPI channel.
- XMailbox_Send() function triggers an IPI to a remote agent.
- XMailbox_SendData() function sends an IPI message to a remote agent. Message type should be either XILMBOX_MSG_TYPE_REQ (OR) XILMBOX_MSG_TYPE_RESP.
- XMailbox_Recv() function reads an IPI message from a specified source agent. Message type should be either XILMBOX_MSG_TYPE_REQ (OR) XILMBOX_MSG_TYPE_RESP.
- XMailbox_SetCallBack() using this function user can register call backs for recv and error events.

Table 419: Quick Function Reference

Type	Name	Arguments
u32	XMailbox_Send	<p>XMailbox * InstancePtr u32 RemoteId u8 Is_Blocking</p>

Table 419: Quick Function Reference (cont'd)

Type	Name	Arguments
u32	XMailbox_SendData	XMailbox * InstancePtr u32 RemoteId void * BufferPtr u32 MsgLen u8 BufferType u8 Is_Blocking
u32	XMailbox_Recv	XMailbox * InstancePtr u32 SourceId void * BufferPtr u32 MsgLen u8 BufferType
s32	XMailbox_SetCallBack	XMailbox * InstancePtr XMailbox_Handler HandlerType CallBackFunc CallBackRef
u32	XMailbox_Initialize	XMailbox * InstancePtr u8 DeviceId
u32	XIpiPs_Init	XMailbox * InstancePtr u8 DeviceId
u32	XIpiPs_Send	XMailbox * InstancePtr u8 Is_Blocking
u32	XIpiPs_SendData	XMailbox * InstancePtr void * MsgBufferPtr u32 MsgLen u8 BufferType u8 Is_Blocking
u32	XIpiPs_PollforDone	XMailbox * InstancePtr
u32	XIpiPs_RecvData	XMailbox * InstancePtr void * MsgBufferPtr u32 MsgLen u8 BufferType
XStatus	XIpiPs_RegisterIrq	void

Table 419: Quick Function Reference (cont'd)

Type	Name	Arguments
void	XIpiPs_ErrorIntrHandler	void
void	XIpiPs_IntrHandler	void

Functions

XMailbox_Send

This function triggers an IPI to a destination CPU.

Prototype

```
u32 XMailbox_Send(XMailbox *InstancePtr, u32 RemoteId, u8 Is_Blocking);
```

Parameters

The following table lists the `XMailbox_Send` function arguments.

Table 420: XMailbox_Send Arguments

Type	Name	Description
<code>XMailbox *</code>	InstancePtr	Pointer to the <code>XMailbox</code> instance
u32	RemoteId	Mask of the CPU to which IPI is to be triggered
u8	Is_Blocking	If set, triggers the notification in blocking mode

Returns

- XST_SUCCESS if successful
- XST_FAILURE if unsuccessful

XMailbox_SendData

This function sends an IPI message to a destination CPU.

Prototype

```
u32 XMailbox_SendData(XMailbox *InstancePtr, u32 RemoteId, void *BufferPtr,
u32 MsgLen, u8 BufferType, u8 Is_Blocking);
```

Parameters

The following table lists the `XMailbox_SendData` function arguments.

Table 421: `XMailbox_SendData` Arguments

Type	Name	Description
<code>XMailbox *</code>	<code>InstancePtr</code>	Pointer to the <code>XMailbox</code> instance
<code>u32</code>	<code>RemoteId</code>	Mask of the CPU to which IPI is to be triggered
<code>void *</code>	<code>BufferPtr</code>	Pointer to buffer which contains the message to be sent
<code>u32</code>	<code>MsgLen</code>	Length of the buffer/message
<code>u8</code>	<code>BufferType</code>	Type of buffer (<code>XILMBOX_MSG_TYPE_REQ</code> (OR) <code>XILMBOX_MSG_TYPE_RESP</code>)
<code>u8</code>	<code>Is_Blocking</code>	If set, triggers the notification in blocking mode

Returns

- `XST_SUCCESS` if successful
- `XST_FAILURE` if unsuccessful

`XMailbox_Recv`

This function reads an IPI message.

Prototype

```
u32 XMailbox_Recv(XMailbox *InstancePtr, u32 SourceId, void *BufferPtr, u32
MsgLen, u8 BufferType);
```

Parameters

The following table lists the `XMailbox_Recv` function arguments.

Table 422: `XMailbox_Recv` Arguments

Type	Name	Description
<code>XMailbox *</code>	<code>InstancePtr</code>	Pointer to the <code>XMailbox</code> instance
<code>u32</code>	<code>SourceId</code>	Mask for the CPU which has sent the message
<code>void *</code>	<code>BufferPtr</code>	Pointer to buffer to which the read message needs to be stored
<code>u32</code>	<code>MsgLen</code>	Length of the buffer/message
<code>u8</code>	<code>BufferType</code>	Type of buffer (<code>XILMBOX_MSG_TYPE_REQ</code> or <code>XILMBOX_MSG_TYPE_RESP</code>)

Returns

- `XST_SUCCESS` if successful

- XST_FAILURE if unsuccessful

XMailbox_SetCallback

This routine installs an asynchronous callback function for the given HandlerType.

Prototype

```
s32 XMailbox_SetCallback(XMailbox *InstancePtr, XMailbox_Handler
HandlerType, void *CallbackFuncPtr, void *CallbackRefPtr);
```

Parameters

The following table lists the XMailbox_SetCallback function arguments.

Table 423: XMailbox_SetCallback Arguments

Type	Name	Description
XMailbox *	InstancePtr	Pointer to the XMailbox instance.
XMailbox_Handler	HandlerType	Specifies which callback is to be attached.
Commented parameter CallbackFunc does not exist in function XMailbox_SetCallback.	CallbackFunc	Address of the callback function.
Commented parameter CallbackRef does not exist in function XMailbox_SetCallback.	CallbackRef	User data item that is passed to the callback function when it is invoked.

Returns

- XST_SUCCESS when handler is installed.
- XST_INVALID_PARAM when HandlerType is invalid.

XMailbox_Initialize

This function initializes the XMailbox instance.

Prototype

```
u32 XMailbox_Initialize(XMailbox *InstancePtr, u8 DeviceId);
```

Parameters

The following table lists the XMailbox_Initialize function arguments.

Table 424: XMailbox_Initialize Arguments

Type	Name	Description
XMailbox *	InstancePtr	Pointer to the instance to be worked on
u8	DeviceId	IPI instance to be worked on

Returns

XST_SUCCESS if initialization was successful XST_FAILURE in case of failure

XIpiPs_Init

This function initializes the Zynq UltraScale+ MPSoC Mailbox instance.

Prototype

```
u32 XIpiPs_Init(XMailbox *InstancePtr, u8 DeviceId);
```

Parameters

The following table lists the XIpiPs_Init function arguments.

Table 425: XIpiPs_Init Arguments

Type	Name	Description
XMailbox *	InstancePtr	Pointer to the instance to be worked on
u8	DeviceId	IPI instance to be worked on

Returns

XST_SUCCESS if initialization was successful XST_FAILURE in case of failure

XIpiPs_Send

This function triggers an IPI to a destination CPU.

Prototype

```
u32 XIpiPs_Send(XMailbox *InstancePtr, u8 Is_Blocking);
```

Parameters

The following table lists the XIpiPs_Send function arguments.

Table 426: **XIpiPs_Send Arguments**

Type	Name	Description
<code>XMailbox *</code>	<code>InstancePtr</code>	Pointer to the <code>XMailbox</code> instance.
<code>u8</code>	<code>Is_Blocking</code>	If set, triggers the notification in blocking mode

Returns

XST_SUCCESS in case of success XST_FAILURE in case of failure

XIpiPs_SendData

This function sends an IPI message to a destination CPU.

Prototype

```
u32 XIpiPs_SendData(XMailbox *InstancePtr, void *MsgBufferPtr, u32 MsgLen,
u8 BufferType, u8 Is_Blocking);
```

Parameters

The following table lists the `XIpiPs_SendData` function arguments.

 Table 427: **XIpiPs_SendData Arguments**

Type	Name	Description
<code>XMailbox *</code>	<code>InstancePtr</code>	Pointer to the <code>XMailbox</code> instance
<code>void *</code>	<code>MsgBufferPtr</code>	Pointer to buffer which contains the message to be sent
<code>u32</code>	<code>MsgLen</code>	Length of the buffer/message
<code>u8</code>	<code>BufferType</code>	Type of buffer
<code>u8</code>	<code>Is_Blocking</code>	If set, triggers the notification in blocking mode

Returns

XST_SUCCESS in case of success XST_FAILURE in case of failure

XIpiPs_PollforDone

This function polls for an acknowledgement using the Observation Register.

Prototype

```
u32 XIpiPs_PollforDone(XMailbox *InstancePtr);
```

Parameters

The following table lists the `XIpiPs_PollforDone` function arguments.

Table 428: `XIpiPs_PollforDone` Arguments

Type	Name	Description
<code>XMailbox *</code>	<code>InstancePtr</code>	Pointer to the <code>XMailbox</code> instance

Returns

`XST_SUCCESS` in case of success `XST_FAILURE` in case of failure

XIpiPs_RecvData

This function reads an IPI message.

Prototype

```
u32 XIpiPs_RecvData(XMailbox *InstancePtr, void *MsgBufferPtr, u32 MsgLen,
u8 BufferType);
```

Parameters

The following table lists the `XIpiPs_RecvData` function arguments.

Table 429: `XIpiPs_RecvData` Arguments

Type	Name	Description
<code>XMailbox *</code>	<code>InstancePtr</code>	Pointer to the <code>XMailbox</code> instance
<code>void *</code>	<code>MsgBufferPtr</code>	Pointer to buffer to which the read message needs to be stored
<code>u32</code>	<code>MsgLen</code>	Length of the buffer/message
<code>u8</code>	<code>BufferType</code>	Type of buffer

Returns

- `XST_SUCCESS` if successful
- `XST_FAILURE` if unsuccessful

XIpiPs_RegisterIrq

Prototype

```
XStatus XIpiPs_RegisterIrq(XScuGic *IntcInstancePtr, XMailbox *InstancePtr,
u32 IpiIntrId);
```

XIpiPs_ErrorIntrHandler

Prototype

```
void XIpiPs_ErrorIntrHandler(void *XMailboxPtr);
```

XIpiPs_IntrHandler

Prototype

```
void XIpiPs_IntrHandler(void *XMailboxPtr);
```

Enumerations

Enumeration XMailbox_Handler

Contains XMAILBOX Handler Types.

Table 430: Enumeration XMailbox_Handler Values

Value	Description
XMAILBOX_RECV_HANDLER	For Recv Handler.
XMAILBOX_ERROR_HANDLER	For Error Handler.

Data Structure Index

The following is a list of data structures:

- [XMailbox](#)

XMailbox

Holds the function pointers for the operations that can be performed.

Declaration

```
typedef struct
{
    u32(* XMbox_IPI_Send)(struct XMboxTag *InstancePtr, u8 Is_Blocking),
    u32(* XMbox_IPI_SendData)(struct XMboxTag *InstancePtr, void *BufferPtr,
    u32 MsgLen, u8 BufferType, u8 Is_Blocking),
    u32(* XMbox_IPI_Recv)(struct XMboxTag *InstancePtr, void *BufferPtr, u32
    MsgLen, u8 BufferType),
```

```

XMailbox_RecvHandler RecvHandler,
XMailbox_ErrorHandler ErrorHandler,
void * ErrorRefPtr,
void * RecvRefPtr,
XMailbox_Agent Agent
} XMailbox;

```

Table 431: Structure XMailbox member description

Member	Description
XMbox_IPI_Send	Triggers an IPI to a destination CPU.
XMbox_IPI_SendData	Sends an IPI message to a destination CPU.
XMbox_IPI_Recv	Reads an IPI message.
RecvHandler	Callback for rx IPI event.
ErrorHandler	Callback for error event.
ErrorRefPtr	To be passed to the error interrupt callback.
RecvRefPtr	To be passed to the receive interrupt callback.
Agent	Used to store IPI Channel information.

XilSEM Library v1.3

Introduction

The Xilinx[®] Soft Error Mitigation (XilSEM) library is a pre-configured, pre-verified solution to detect and optionally correct soft errors in Configuration Memory of Versal™ ACAPs. A soft error is caused by ionizing radiation and is extremely uncommon in commercial terrestrial operating environments. While a soft error does not damage the device, it carries a small statistical possibility of transiently altering the device behavior.

The XilSEM library does not prevent soft errors; however, it provides a method to better manage the possible system-level effect. Proper management of a soft error can increase reliability and availability, and reduce system maintenance and downtime. In most applications, soft errors can be ignored. In applications where a soft error cannot be ignored, this library documentation provides information to configure the XilSEM library through the CIPS IP core and interact with the XilSEM library at run time.

The XilSEM library is part of the Platform Loader and Manager (PLM) which is loaded into and runs on the Platform Management Controller (PMC). When a soft error occurs, one or more bits of information are corrupted. The information affected might be in the device Configuration Memory (which determines the intended behavior of the design) or might be in design memory elements (which determine the state of the design). In the Versal architecture, Configuration Memory includes Configuration RAM and NPI Registers. Configuration RAM is associated with the Programmable Logic (PL) and is used to configure the function of the design loaded into the PL. This includes function block behavior and function block connectivity. This memory is physically distributed across the PL and is the larger category of Configuration Memory by bit count. Only a fraction of these bits are essential to the correct operation of the associated resources for the currently loaded design.

NPI Registers are associated with other function blocks which can be configured independently from the PL. The Versal ACAP architecture integrated shell is a notable application of function blocks configured in this manner, making it possible for the integrated shell to be operational with the PL in an unconfigured state. This memory is physically distributed throughout the device and is the smaller category of Configuration Memory by bit count. Only a fraction of these bits are essential to the correct operation of the associated resources for the currently loaded design.

Prior to configuring the XilSEM library for use through the CIPS IP core, assess whether the XilSEM library helps meet the soft error mitigation goals of your system's deployment and what mitigation approaches should be included, if any. There are two main considerations:

- Understanding the soft error mitigation requirements for your system
- What design and system actions need to be taken if a soft error occurs

If the effects of soft errors are a concern for your system's deployment, each component in the system design will usually need a soft error rate (SER) budget distributed from a system-level SER budget. To make estimates for the contribution from a Versal ACAP, use the Xilinx SEU Estimator tool, which is tentatively planned for availability after the UG116 publication of production qualification data for Xilinx 7 nm technology. To estimate SER for a deployment, at the minimum you need:

- Target device selection(s) to be deployed
- Estimated number of devices in deployment

In addition to providing a device level estimate, the Xilinx SEU Estimator also estimates the number of soft errors statistically likely to occur across the deployment for a selected operation time interval. After an estimate has been generated, it must be used to evaluate if the SER requirement for the deployment is met. Other design approaches might need to be implemented to reduce the system-level SER. These approaches include addition of mitigation solutions in the system, which might be suitable for implementation in any devices in the system which can offer such features. Versal ACAPs offer many supporting features, including the XilSEM library.

Consideration must be given to the system-level response, if any, that must be taken in response to a soft error in the Versal ACAP. If no action is taken when a soft error is detected in the Versal ACAP, the benefits of using the XilSEM library should be assessed and understood. While this is a valid use case, the effects of soft errors in the Versal ACAP should be anticipated and this approach should be reviewed to ensure it supports the system-level soft error mitigation strategy.

If there is no SER target at the system level, then it is unclear what system changes (and tradeoffs that come with them) need to be made to mitigate soft errors, including whether a deployment benefits from use of the XilSEM library.

Features

Following are the features of the XilSEM library:

- Integration of silicon features to fully leverage and improve upon the inherent protections for Configuration Memory.
- Scan-based detection of soft errors in Configuration RAM using ECC and CRC techniques.
- Algorithmic correction of soft errors in Configuration RAM using ECC techniques.

- Scan-based detection of soft errors in NPI Registers using SHA techniques.
- Error injection to support evaluation of system integration and response.

Unsupported Features

The following features are not supported by the XilSEM library:

- The XilSEM library does not operate on soft errors outside of Configuration RAM and NPI Registers. Soft error mitigation in other device resources, if necessary, based on design requirements, must be addressed at the user design level through measures such as redundancy or error detection and correction codes.
- The XilSEM library initializes and manages the integrated silicon features for soft error mitigation and when included in a design, do not modify settings of associated features in the PMC.
- Design simulations that include the XilSEM library are supported. However, it is not possible to observe the library and integrated silicon features in simulation. Hardware-based evaluation is required.
- The XilSEM library is not currently specified for use under high irradiation, including but not limited to space or artificially generated environments. Therefore, Xilinx does not support or answer questions specific to the application of the XilSEM library in such environments.
- Debug prints are not enabled in the XilSEM library. Whenever there is an uncorrectable error in either Configuration RAM or NPI Registers, you shall be notified via the optional IPI or GPO methods. It is recommended that you use these provided methods for error information.
- The XilSEM library does not currently support the optional NPI Register scan feature with Tandem PCIe® or Tandem PROM boot flows.
- The optional NPI Register scan feature is not currently supported for the Versal Prime XCVM1802 device.

Documentation

This user guide is the main documentation for the XilSEM library. This guide, along with documentation related to all products that aid in the design process, can be found on the [Xilinx Support web page](#) or by using the Xilinx Documentation Navigator. Download the Xilinx Documentation Navigator from the [Downloads page](#). For more information about this tool and the features available, open the online help after installation.

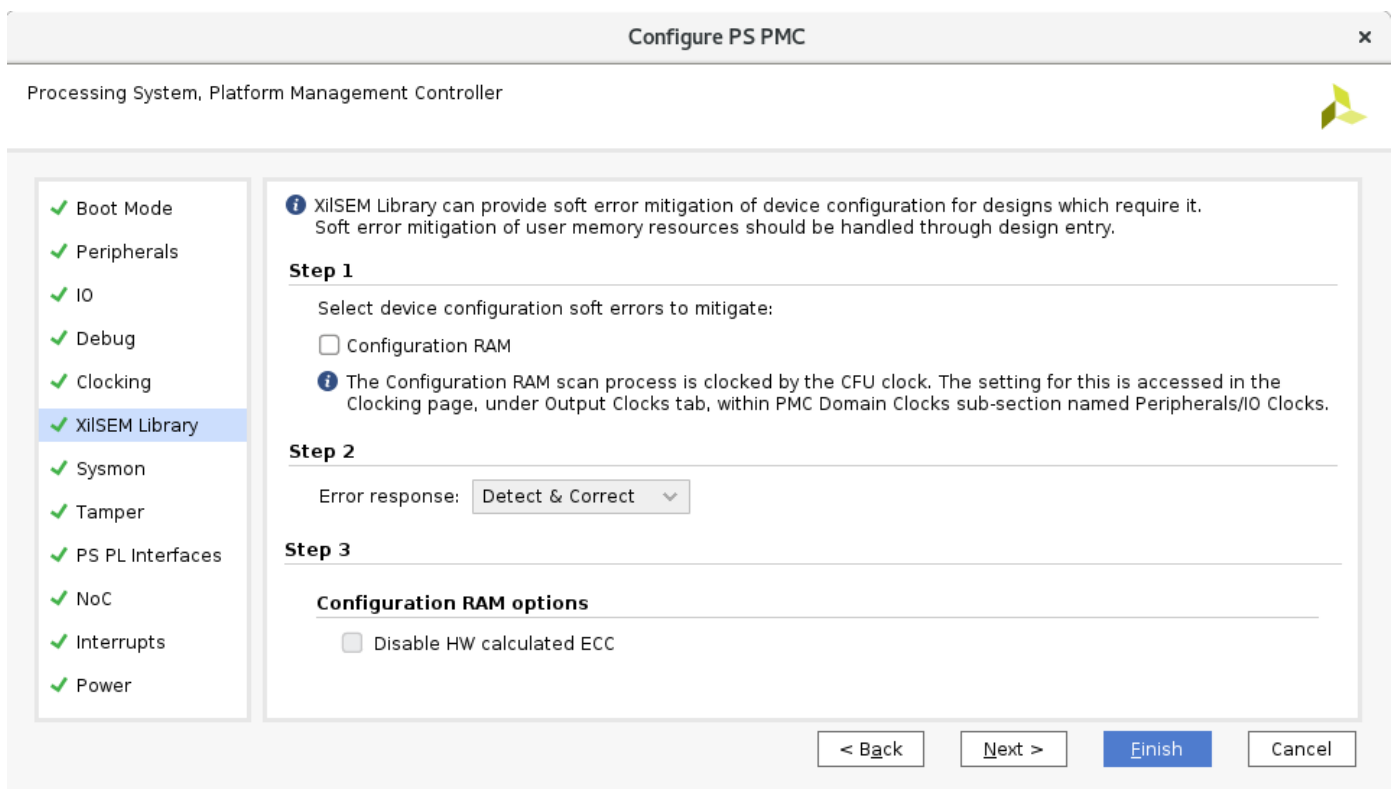
To help in the design and debug process when using the XilSEM library, the [Xilinx Support web page](#) contains key resources such as product documentation, release notes, answer records, information about known issues, and links for obtaining further product support.

Answer Records include information about commonly encountered problems, helpful information on how to resolve these problems, and any known issues with a Xilinx product. Answer Records are created and maintained daily ensuring that you have access to the most accurate information available. The Master Answer Record for the XiISEM library is [AR76513](#). Answer Records for the XiISEM library can be located by using the Search Support box on the main [Xilinx support web page](#).

Configuration

The XiISEM library configuration options available through the CIPS v3.0 Customize IP dialog box in the Vivado Design Suite 2021.1 are shown in the following figure.

Figure 9: XiISEM Library Configuration within CIPS v3.0 Customize IP Dialog Box in Vivado Design Suite 2021.1



From within CIPS, the fundamental feature of the XiISEM library can be enabled. This feature is the soft error mitigation of Configuration RAM through a scan-based process automated by integrated logic and managed by the XiISEM library, which reads back Configuration RAM and uses ECC and CRC to detect and correct soft errors. If this feature is enabled in CIPS, the default behavior is to begin operation automatically after boot, calculate golden checksums using hardware resources, and then enable the process for error detection and correction. These options can also be accessed through properties applied to the design.

Table 432: XiISEM CRAM Properties

Property Name	Supported Values	Default Value	Description
CONFIG.PS_PMC_CONFIG {SEM_MEM_SCAN 0}	0 (Disabled) 1 (Enabled)	0 (Disabled)	Disabled: No Configuration RAM scan is enabled. Enabled: Configuration RAM scan is enabled.
CONFIG.PS_PMC_CONFIG {SEM_MEM_ENABLE_SCAN_AFTER 0}	0 (Immediate start) 1 (Deferred start)	0 (Immediate start)	Immediate start: Enables automatic start of Configuration RAM scanning after boot. Deferred start: Start of the scan during mission based on user request.
CONFIG.PS_PMC_CONFIG {SEM_MEM_GOLDEN_ECC_SW 0}	0 (HW ECC) 1 (SW ECC)	0 (HW ECC)	HW ECC: Hardware computes the golden ECC values during calibration. SW ECC: Tool generated values are used as golden ECC values for Configuration RAM scan.
CONFIG.PS_PMC_CONFIG {SEM_ERROR_HANDLE_OPTIONS {Detect only}}	{Detect only} {Detect and correct}	{Detect and correct}	Detect only: No correction is done for all correctable errors. All errors are reported to the user. Detect & correct: Correction is enabled for all correctable errors. Uncorrectable/CRC errors are reported to the user.

Advanced features of the XiISEM library can be accessed through properties applied to the design. The XiISEM library provides an optional feature for the soft error mitigation of NPI Registers, provided the supplemental hardware resources required for this feature are accessible. This feature is a scan-based process automated by integrated logic and managed by the XiISEM library, which reads back NPI Registers and uses SHA to detect errors.

NPI Register scan requires XiISEM library use of PMC cryptographic acceleration. The following are some of the scenarios in which the XiISEM library cannot offer this optional feature:

- User operation of the SHA block in the PMC for purposes of the user design
- Device is programmed for “no end-user accessible” cryptographic functions

Table 433: XiISEM NPI Properties

Property Name	Supported Values	Default Value	Description
CONFIG.PS_PMC_CONFIG {SEM_NPI_SCAN 0}	0 (Disabled) 1 (Enabled)	0 (Disabled)	Disabled: No NPI scan is enabled. Enabled: NPI scan is enabled.

Table 433: XilSEM NPI Properties (cont'd)

Property Name	Supported Values	Default Value	Description
CONFIG.PS_PMC_CONFIG {SEM_NPI_ENABLE_SCAN_AFTER 0}	0 (Immediate start) 1 (Deferred start)	0 (Immediate start)	Immediate start: Enables automatic start of NPI scanning after boot. Deferred start: Start of the NPI scan during mission based on your request.
BITGEN.GENERATESWSHA	False (HW SHA) True (SW SHA)	True (SW SHA)	HW SHA: The value calculated during the first scan will be used as golden SHA. SW SHA: Tool generated values are used as golden SHA for NPI scan.
CONFIG.PS_PMC_CONFIG {SEM_TIME_INTERVAL_BETWEEN_SCANS 100 }	>=100 msec && <=1000 msec	100 msec	The interval in milliseconds at which the NPI scan is repeated. Recommended to use 100 msec.

Additional XilSEM library properties as referenced below are available.

Table 434: Additional XilSEM Library Properties

Property Name	Supported Values	Default Value	Description
CONFIG.PS_PMC_CONFIG {PMC_GPO_ENABLE 0}	0 (Disabled) 1 (Enabled)	0 (Disabled)	Disabled: PMC_PL_GPO will not be triggered for status and error information. Enabled: PMC_PL_GPO will be triggered for status and error information.

Operation

Initializing the SEU Mitigation

To initialize the SEU mitigation, it is first necessary to successfully initialize the inter-processor interrupt (IPI). The following reference code, which can be part of an RPU or APU application, illustrates how to initialize the IPI:

```

/* Load Config for Processor IPI Channel */
IpiCfgPtr = XIpiPsu_LookupConfig(TARGET_IPI_INT_DEVICE_ID);
if (NULL == IpiCfgPtr) {
    xil_printf("[%s] ERROR: IPI LookupConfig failed\n\r", \
        __func__, Status);
    goto END;
}

/* Initialize the IPI Instance pointer */
Status = XIpiPsu_CfgInitialize(&IpiInst, IpiCfgPtr,
    IpiCfgPtr->BaseAddress);
    
```

```

if (XST_SUCCESS != Status) {
    xil_printf("[%s] ERROR: IPI instance initialize failed\n\r", \
        __func__, Status);
    goto END;
}
    
```

Although Configuration RAM scan can be configured to begin automatically, in XiISEM library configurations where this option is not selected, the user is responsible for manually starting the Configuration RAM scan. The following reference code, which can be part of an RPU or APU application, illustrates how to accomplish Configuration RAM scan start-up.

```

XStatus Status = XST_FAILURE;
XSemIpiResp IpiResp={0};
Status = XSem_CmdCfrInit(&IpiInst, &IpiResp);
if ((XST_SUCCESS == Status) && (CMD_ACK_CFR_INIT == IpiResp.RespMsg1) &&
(XST_SUCCESS == IpiResp.RespMsg2)) {
    xil_printf("Success: CRAM Initialization Successful\n\r");
} else {
    xil_printf("Failure: CRAM Initialization Failed\n\r");
    Status = XST_FAILURE;
}
    
```

Similarly, NPI Register scan can be configured to begin automatically, and in XiISEM library configurations where this option is not selected, you are responsible for manually starting the NPI Register scan. The following reference code, which can be part of an RPU or APU application, illustrates how to accomplish NPI Register scan start-up.

```

XStatus Status = XST_FAILURE;
XSemIpiResp IpiResp={0};
Status = XSem_CmdNpiStartScan(&IpiInst, &IpiResp);
if ((XST_SUCCESS == Status) && (CMD_ACK_NPI_STARTSCAN == IpiResp.RespMsg1)
&& (XST_SUCCESS == IpiResp.RespMsg2)) {
    xil_printf("Success: NPI Initialization Successful\n\r");
} else {
    xil_printf("Failure: NPI Initialization Failed\n\r");
    Status = XST_FAILURE;
}
    
```

Listening for SEU Detection

The XiISEM library can maintain SEU mitigation operation without any need for the user design to listen for SEU detections. However, it may be desired maintain an event log, or take design or system level actions in response to an event. To receive notification of error detections in Configuration RAM or NPI Registers, the following steps are required of an RPU or APU application:

- IPI Initialization
 - IPI Configuration and connection with GIC
 - IPI callback registration with IPI interrupt handler (CRAM and NPI)
- Register error event notification (CRAM and NPI)

- Check global variables that hold notified event information (CRAM and NPI)

For IPI configuration and connection with GIC, use the following code snippet:

```
static XStatus IpiConfigure(XIpiPsu * IpiInst, XScuGic * GicInst)
{
    int Status = XST_FAILURE;
    XIpiPsu_Config *IpiCfgPtr;

    if (NULL == IpiInst) {
        goto END;
    }

    if (NULL == GicInst) {
        xil_printf("%s ERROR GIC Instance is NULL\n", __func__);
        goto END;
    }

    /* Look Up the config data */
    IpiCfgPtr = XIpiPsu_LookupConfig(IPI_TEST_CHANNEL_ID);
    if (NULL == IpiCfgPtr) {
        Status = XST_FAILURE;
        xil_printf("%s ERROR in getting CfgPtr\n", __func__);
        goto END;
    }
    /* Init with the Cfg Data */
    Status = XIpiPsu_CfgInitialize(IpiInst, IpiCfgPtr, \
        IpiCfgPtr->BaseAddress);
    if (XST_SUCCESS != Status) {
        xil_printf("%s ERROR #%d in configuring IPI\n", __func__,
            Status);
        goto END;
    }

    /* Clear Any existing Interrupts */
    XIpiPsu_ClearInterruptStatus(IpiInst, XIPIPSU_ALL_MASK);

    Status = XScuGic_Connect(GicInst, IPI_INT_ID,
        (Xil_ExceptionHandler)IpiIrqHandler, IpiInst);
    if (XST_SUCCESS != Status) {
        xil_printf("%s ERROR #%d in GIC connect\n", __func__, Status);
        goto END;
    }
    /* Enable IPI interrupt at GIC */
    XScuGic_Enable(GicInst, IPI_INT_ID);

END:
    return Status;
}
```

For IPI callback registration with IPI handler, see the following code snippet:

```
XStatus IpiRegisterCallback(XIpiPsu *const IpiInst, const u32 SrcMask,
    IpiCallback Callback)
{
    ssize_t idx;

    if (!Callback)
        return XST_INVALID_PARAM;
```



```

/* Get index into IpiChannels array */
idx = ipimask2idx(SrcMask);
if (idx < 0)
    return XST_INVALID_PARAM;

/* Check if callback is already registered, return failure if it is */
if (IpiCallbacks[idx])
    return XST_FAILURE;

/* Entry is free, register callback */
IpiCallbacks[idx] = Callback;

/* Enable reception of IPI from the SrcMask/CPU */
XIpiPsu_InterruptEnable(IpiInst, SrcMask);

return XST_SUCCESS;
}

```

For IPI callback to receive event messages for CRAM, see the following code snippet:

```

/*Global variables to hold the event count when notified*/
u8 EventCnt_UnCorEcc = 0U;
u8 EventCnt_Crc = 0U;
u8 EventCnt_CorEcc = 0U;
u8 EventCnt_IntErr = 0U;

void XSem_IpiCallback(XIpiPsu *const InstancePtr)
{
    int Status;
    u32 Payload[PAYLOAD_ARG_CNT] = {0};

    Status = XIpiPsu_ReadMessage(XSem_IpiGetInst(), SRC_IPI_MASK, Payload, \
        PAYLOAD_ARG_CNT, XIPIPSU_BUF_TYPE_MSG);
    if (Status != XST_SUCCESS) {
        xil_printf("ERROR #%d while reading IPI buffer\n", Status);
        return;
    }

    if ((XSEM_EVENT_ERROR == Payload[0]) && \
        (XSEM_NOTIFY_CRAM == Payload[1])) {
        if (XSEM_EVENT_CRAM_UNCOR_ECC_ERR == Payload[2]) {
            EventCnt_UnCorEcc++;
        } else if (XSEM_EVENT_CRAM_CRC_ERR == Payload[2]) {
            EventCnt_Crc++;
        } else if (XSEM_EVENT_CRAM_INT_ERR == Payload[2]) {
            EventCnt_IntErr++;
        } else if (XSEM_EVENT_CRAM_COR_ECC_ERR == Payload[2]) {
            EventCnt_CorEcc++;
        } else {
            xil_printf("%s Some other callback received: %d:%d:%d\n",
                __func__, Payload[0], \
                Payload[1], Payload[2]);
        }
    } else {
        xil_printf("%s Some other callback received: %d\n", \
            __func__, Payload[0]);
    }
}

```

Note: In the above code snippets, global counters are incremented when an event has been notified. It is up to the user to define and implement any desired design and system response.

For IPI callback to receive event messages for NPI, see the following code snippet:

```

/*Global variables to hold the event count when notified*/
u8 NPI_CRC_EventCnt = 0U;
u8 NPI_INT_EventCnt = 0U;

void XSem_IpiCallback(XIpiPsu *const InstancePtr)
{
    int Status;
    u32 Payload[PAYLOAD_ARG_CNT] = {0};

    Status = XIpiPsu_ReadMessage(&IpiInst, SRC_IPI_MASK, Payload,
PAYLOAD_ARG_CNT,
        XIPIPSU_BUF_TYPE_MSG);
    if (Status != XST_SUCCESS) {
        xil_printf("ERROR #%d while reading IPI buffer\n", Status);
        return;
    }

    if ((XSEM_EVENT_ERROR == Payload[0]) && (XSEM_NOTIFY_NPI ==
Payload[1])) {
        if (XSEM_EVENT_NPI_CRC_ERR == Payload[2]) {
            NPI_CRC_EventCnt++;
        } else if (XSEM_EVENT_NPI_INT_ERR == Payload[2]) {
            NPI_INT_EventCnt++;
        } else {
            xil_printf("%s Some other callback received: %d:%d:%d\n",
                __func__, Payload[0], Payload[1], Payload[2]);
        }
    } else {
        xil_printf("%s Some other callback received: %d\n", __func__,
Payload[0]);
    }
}
    
```

For IPI initialization (includes IPI configuration and connection with GIC, IPI callback registration with IPI handler), see the following code snippet:

```

XStatus IpiInit(XIpiPsu * InstancePtr, XScuGic * GicInst)
{
    int Status;

    Status = IpiConfigure(InstancePtr, GicInst);
    if (XST_SUCCESS != Status) {
        xil_printf("IpiConfigure() failed with error: %d\r\n",
            Status);
    }

    Status = IpiRegisterCallback(InstancePtr, SRC_IPI_MASK, \
        XSem_IpiCallback);
    return Status;
}
    
```

Note: CRAM and NPI should run one at time.

For register error event notification with CRAM, see the following code snippet:

```
XSem_Notifier Notifier = {
    .Module = XSEM_NOTIFY_CRAM,
    .Event = XSEM_EVENT_CRAM_UNCOR_ECC_ERR | XSEM_EVENT_CRAM_CRC_ERR | \
    XSEM_EVENT_CRAM_INT_ERR | XSEM_EVENT_CRAM_COR_ECC_ERR,
    .Flag = 1U,
};
int Status;
Status = XSem_RegisterEvent(&IpiInst, &Notifier);
if (XST_SUCCESS == Status) {
    xil_printf("Success: Event registration \n\r");
} else {
    xil_printf("Error: Event registration failed \n\r");
    goto END;
}
```

For register error event notification with NPI, see the following code snippet:

```
XSem_Notifier Notifier = {
    .Module = XSEM_NOTIFY_NPI,
    .Event = XSEM_EVENT_NPI_CRC_ERR | XSEM_EVENT_NPI_INT_ERR,
    .Flag = 1U,
};
int Status;
Status = XSem_RegisterEvent(&IpiInst, &Notifier);
if (XST_SUCCESS == Status) {
    xil_printf("Success: Event registration \n\r");
} else {
    xil_printf("Error: Event registration failed \n\r");
    goto END;
}
```

To check global variables that holds the count of the notified event for CRAM, use the following code snippet:

```
if(EventCnt_UnCorEcc > 0){
    xil_printf("Uncorrectable error has been detected in CRAM\n\r");
}else if(EventCnt_Crc > 0){
    xil_printf("CRC error has been detected in CRAM\n\r");
} else if(EventCnt_CorEcc > 0){
    xil_printf("Correctable error has been detected and corrected in CRAM\n\r");
} else if(EventCnt_IntErr > 0){
    xil_printf("Internal error has occurred in CRAM\n\r");
}
```

To check global variables that holds the count of the notified event for NPI, use the following code snippet:

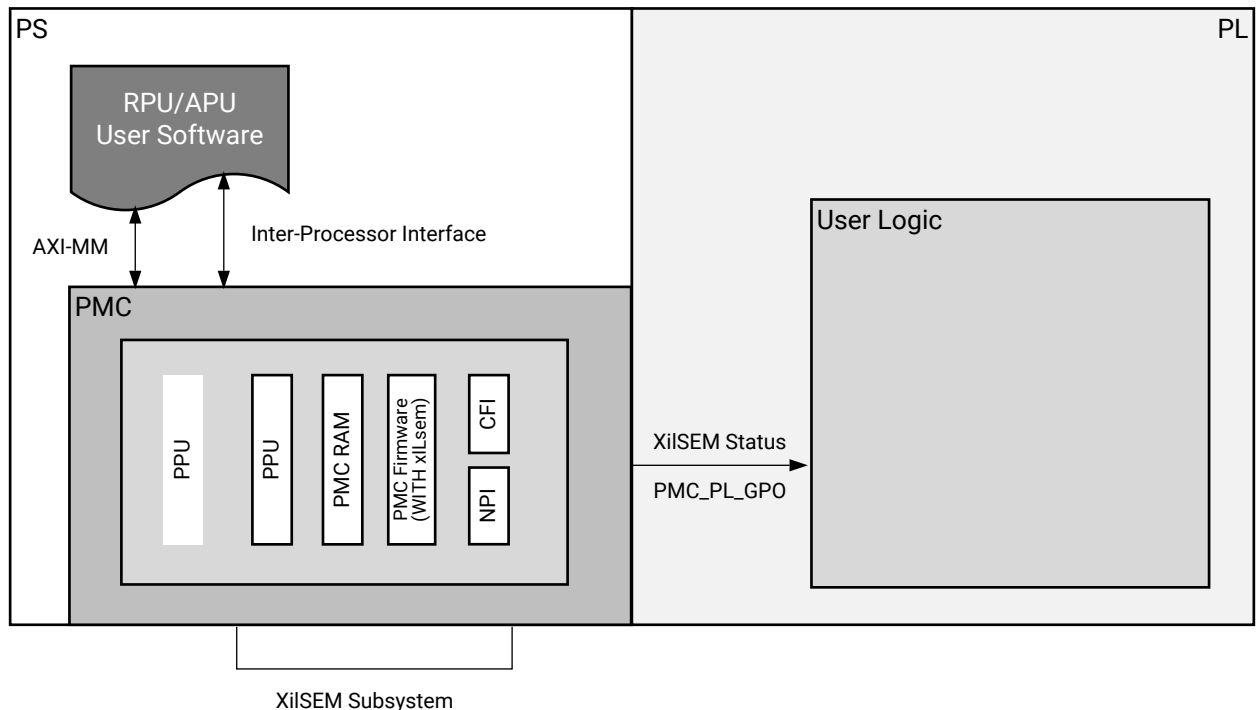
```
if(NPI_CRC_EventCnt > 0){
    xil_printf("CRC error has been detected in NPI\n\r");
}else if(NPI_INT_EventCnt > 0){
    xil_printf("Internal error has occurred in NPI\n\r");
}
```

An additional method exists for the user design to listen for SEU detections. Like the IPI method, it is not required. Unlike the IPI method which is used for RPU / APU user software, this method is used for PL user logic. It involves PMC_PL_GPO outputs of the PMC routed into the PL, supplying quick access to key event information. To access this feature, it must be enabled during XilSEM library configuration.

- Bit 0: CRAM Correctable error
- Bit 1: CRAM/NPI Uncorrectable error
- Bit 2: CRAM/NPI/XilSEM Internal error
- Bit 3: Reserved

The following diagram provides a XilSEM-centric view of information conduits to user software and user logic implemented in a Versal ACAP.

Figure 10: Flow of Information on a Versal ACAP using a XilSEM Subsystem



X25366-052021

Injecting Errors for Test

Injecting an Error in Configuration RAM

Here are steps and code snippets illustrating how to inject an error in Configuration RAM for test purposes.

1. Stop Scan

```

/*To stop scan*/
XSemIpiResp IpiResp = {0};
XStatus Status = XST_FAILURE;
Status = XSem_CmdCfrStopScan(&IpiInst, &IpiResp);
if ((XST_SUCCESS == Status) && \
    (CMD_ACK_CFR_STOP_SCAN == IpiResp.RespMsg1) && \
    (XST_SUCCESS == IpiResp.RespMsg2)) {
    xil_printf("[%s] Success: Stop\n\r", __func__);
} else {
    xil_printf("[%s] Error: Stop Status 0x%x Ack 0x%x, Ret 0x%x", \
        __func__, Status, IpiResp.RespMsg1, IpiResp.RespMsg2);
    goto END;
}
    
```

2. Inject Error

```

/* Inject 1-bit correctable error */
XSemIpiResp IpiResp = {0};
XStatus Status = XST_FAILURE;
XSemCfrErrInjData ErrData = {0x7, 0x0, 0x0, 0x0};
Status = XSem_CmdCfrNjctErr(&IpiInst, &ErrData, &IpiResp);
if ((XST_SUCCESS == Status) && \
    (CMD_ACK_CFR_NJCT_ERR == IpiResp.RespMsg1) && \
    (XST_SUCCESS == IpiResp.RespMsg2)) {
    xil_printf("[%s] Success: Inject\n\r", __func__);
} else {
    xil_printf("[%s] Error: Inject Status 0x%x Ack 0x%x, Ret 0x%x", \
        __func__, Status, IpiResp.RespMsg1, IpiResp.RespMsg2);
    goto END;
}
    
```

3. Start scan to detect/correct injected error

```

/*To start scan*/
Status = XSem_CmdCfrStartScan(&IpiInst, &IpiResp);
if ((XST_SUCCESS == Status) && \
    (CMD_ACK_CFR_START_SCAN == IpiResp.RespMsg1) && \
    (XST_SUCCESS == IpiResp.RespMsg2)) {
    xil_printf("[%s] Success: Start\n\r", __func__);
} else {
    xil_printf("[%s] Error: Start Status 0x%x Ack 0x%x, Ret 0x%x", \
        __func__, Status, IpiResp.RespMsg1, IpiResp.RespMsg2);
    goto END;
}
    
```

Wait for the XilSEM library to detect and optionally correct the error (if configured to do so) and report the error. The following code illustrates how to validate if the error injection was successful.

```

/*To validate injection*/
while (XST_SUCCESS != XSem_ChkCfrStatus(0x1, 0x800U, 11U)) {
    usleep(100);
}
xil_printf("Cram Status [0x%08x]\n\r", CfrStatusInfo.Status);
xil_printf("Cor Ecc Cnt [0x%08x]\n\r", CfrStatusInfo.ErrCorCnt);
xil_printf("Error address details are as\n\r");
for (Index = 0U; Index < MAX_CRAMERR_REGISTER_CNT; Index++) {
    xil_printf("\nErrAddrL%d [0x%08x]\n\r", \
        Index, CfrStatusInfo.ErrAddrL[Index]);
}
    
```

```

        xil_printf("ErrAddrH%d [0x%08x]\n\n\r", \
                    Index, CfrStatusInfo.ErrAddrH[Index]);
    }
    /*Function to check CFR status*/
    static XStatus XSem_ChkCfrStatus(u32 ExpectedStatus, u32 Mask, u32 Shift)
    {
        XSemCfrStatus CfrStatusInfo = {0};
        XStatus Status = XST_FAILURE;
        u32 Temp = 0U;
        Status = XSem_CmdCfrGetStatus(&CfrStatusInfo);
        if (XST_SUCCESS == Status) {
            Temp = DataMaskShift(CfrStatusInfo.Status, Mask, Shift);
            if (Temp != ExpectedStatus) {
                Status = XST_FAILURE;
            }
        }
        return Status;
    }
}

```

Injecting an Error in NPI Registers

Here are steps and code snippets illustrating how to inject an error in NPI registers for test purposes.

1. Stop scan

```

/*To stop scan*/
Status = XSem_CmdNpiStopScan(&IpiInst, &IpiResp);
if ((XST_SUCCESS == Status) &&
    (CMD_ACK_NPI_STOPSCAN == IpiResp.RespMsg1) &&
    (XST_SUCCESS == IpiResp.RespMsg2)) {
    xil_printf("[%s] Success: Stop\n\r", __func__);
} else {
    xil_printf("[%s] Error: Stop Status 0x%x Ack 0x%x, Ret 0x%x\n\r", \
                __func__, Status, IpiResp.RespMsg1, IpiResp.RespMsg2);
    goto END;
}

```

2. Inject error

```

/* Inject error in first used SHA */
Status = XSem_CmdNpiInjectError(&IpiInst, &IpiResp);
if ((XST_SUCCESS == Status) &&
    (CMD_ACK_NPI_ERRINJECT == IpiResp.RespMsg1) &&
    (XST_SUCCESS == IpiResp.RespMsg2)) {
    xil_printf("[%s] Success: Inject\n\r", __func__);
} else {
    xil_printf("[%s] Error: Inject Status 0x%x Ack 0x%x, Ret 0x%x\n\r", \
                __func__, Status, IpiResp.RespMsg1, IpiResp.RespMsg2);
    goto END;
}

```

3. Start scan to detect injected error

```

/*To start scan*/
Status = XSem_CmdNpiStartScan(&IpiInst, &IpiResp);
if ((XST_SUCCESS == Status) &&
    (CMD_ACK_NPI_STARTSCAN == IpiResp.RespMsg1) &&
    (XST_SUCCESS == IpiResp.RespMsg2)) {
    xil_printf("[%s] Success: Start\n\r", __func__);
}

```

```

} else {
    xil_printf("[%s] Error: Start Status 0x%x Ack 0x%x, Ret 0x%x\n\r", \
        __func__, Status, IpiResp.RespMsg1, IpiResp.RespMsg2);
    goto END;
}
    
```

Wait for the XilSEM library to detect and report the error. The following code illustrates how to validate if the error injection was successful.

```

/*To validate injection*/
TimeoutCount = 4U;
while (TimeoutCount != 0U) {
    Status = XSem_CmdNpiGetStatus(&NpiStatus);
    if (XST_SUCCESS != Status) {
        xil_printf("[%s] ERROR: NPI Status read failure\n\r", \
            __func__, Status);
        goto END;
    }
    /* Read NPI_SCAN_ERROR status bit */
    TempA_32 = ((NpiStatus.Status & 0x00020000U) >> 17U);
    if (TempA_32 == 1U) {
        goto END;
    }
    TimeoutCount--;
    /* Small delay before polling again */
    usleep(25000);
}
xil_printf("[%s] ERROR: Timeout occurred waiting for error\n\r", __func__);
Status = XST_FAILURE;
END:
return Status;
    
```

Note: All the macros used in the code snippets are defined in `xsem_client_api.h`.

Specification

Standards

No standards compliance or certification testing is defined. The XilSEM library, running on Versal ACAPs, is exposed to a beam of accelerated particles as part of an extensive hardware validation process.

Performance

Performance metrics for the XilSEM library are derived from silicon specifications and direct measurement and are for budgetary purposes only. Actual performance might vary.

Table 435: Performance Metrics for the Configuration RAM

Device and Conditions	Initialization	Complete Scan Time	Correctable ECC Error Handling	Uncorrectable CRC Error Handling	Other Uncorrectable Error Handling
XCVC1902 PMC = 320 MHz CFU = 400 MHz	SW ECC: 18.1 ms HW ECC: 36.2 ms	13.6 ms (with 149682 CRAM frames)	55 us	16 us	49 us
XCVM1802 PMC = 320 MHz CFU = 400 MHz	SW ECC: 18.1 ms HW ECC: 36.2 ms	13.6 ms (with 149682 CRAM frames)	55 us	16 us	49 us

Table 436: Performance Metrics for NPI Registers

Device and Conditions	Initialization	Complete Scan Time	Uncorrectable SHA Error Handling	Other Uncorrectable Error Handling
XCVC1902 PMC = 320 MHz CFU = 400 MHz	SW SHA: 23 ms HW SHA: 23 ms	14.6 ms (with 900+ NPI slaves)	Pending Characterization	Pending Characterization
XCVM1802 PMC = 320 MHz CFU = 420 MHz	Pending Characterization	Pending Characterization	Pending Characterization	Pending Characterization

Error detection latency is the major component of the total error mitigation latency. Error detection latency is a function of the device size and the underlying clock signals driving the processes involved, as these determine the Complete Scan time. It is also a function of the type of error and the relative position of the error with respect to the position of the scan process, at the time the error occurs. The error detection latency can be bounded as follows:

- Maximum error detection latency for detection by ECC is one Complete Scan Time
 - This represents a highly unlikely case when an error at a given location occurs directly “behind” the scan process.
 - It will take one Complete Scan Time for the scan process to return to the error location at which time it will detect it.
- Maximum error detection latency for detection by CRC or SHA is $2.0 \times$ Complete Scan Time
 - This represents an extremely unlikely case when an error occurs directly “behind” the scan process and is located at the scan start location (where the checksum accumulation begins at each scan).

- It will take one Complete Scan Time for the scan process to complete the current checksum accumulation (which will pass) and then a second Complete Scan Time to complete a checksum accumulation which includes the error (which will fail).

Reliability

As part of the extensive hardware validation process for the XilSEM library, reliability metrics are experimentally obtained and summarized in the table below.

Table 437: Reliability

Versal ACAP Series	XilSEM Failure Rate
AI Core, Prime, Premium (monolithic devices)	Pending Characterization

Throughput

The throughput metrics of the XilSEM library are not specified.

Power

The power metrics of the XilSEM library are not specified. However, the Xilinx Power Estimator (XPE) can be used to estimate XilSEM library power, which is mostly contributed by the Configuration RAM scan process operated on the CFU clock domain. The CFU clock default frequency set by CIPS is high, to maximize bandwidth of the Configuration RAM. Depending on design requirements, it may be desirable to operate at lower CFU clock frequencies.

CIPS currently supports user access to edit many clock generator settings, including the CFU clock. Users can take advantage of this compile time tradeoff by lowering the CFU clock setting. This change, unless later overridden during design operation, will impact any CFU activity and that has broader implications than the XilSEM library. For example, other activities which use the CFU include (but are not limited to):

- PL Housekeeping at Boot
- Readback Capture and Verify
- DFX / Partial Reconfig

Using this compile time tradeoff is simple and can work well, especially with smaller devices where the bandwidth to size ratio of Configuration RAM might have ample margin vs. design requirements to support trading it for power reduction. However, it is critically important to evaluate the broader impact of this tradeoff beyond XilSEM library power.

XiISEM Library Versal Client APIs

This file provides XiISEM library client interface to send IPI requests from the user application to XiISEM library server on PLM. This provide APIs to Start, Stop, Error Injection, Event notification registration, Status details for both CRAM and NPI.

Table 438: Quick Function Reference

Type	Name	Arguments
XStatus	XSem_CmdCfrInit	XIpiPsu * IpiInst XSemIpiResp * Resp
XStatus	XSem_CmdCfrStartScan	XIpiPsu * IpiInst XSemIpiResp * Resp
XStatus	XSem_CmdCfrStopScan	XIpiPsu * IpiInst XSemIpiResp * Resp
XStatus	XSem_CmdCfrNjctErr	XIpiPsu * IpiInst XSemCfrErrInjData * ErrDetail XSemIpiResp * Resp
XStatus	XSem_CmdCfrGetStatus	XSemCfrStatus * CfrStatusInfo
XStatus	XSem_CmdNpiStartScan	XIpiPsu * IpiInst XSemIpiResp * Resp
XStatus	XSem_CmdNpiStopScan	XIpiPsu * IpiInst XSemIpiResp * Resp
XStatus	XSem_CmdNpiInjectError	XIpiPsu * IpiInst XSemIpiResp * Resp
XStatus	XSem_CmdNpiGetStatus	XSemNpiStatus * NpiStatusInfo
XStatus	XSem_RegisterEvent	XIpiPsu * IpiInst XSem_Notifier * Notifier

Functions

XSem_CmdCfrInit

This function is used to initialize CRAM scan from user application. Primarily this function sends an IPI request to PLM to start CRAM Scan Initialization, waits for PLM to process the request and reads the response message.

Prototype

```
XStatus XSem_CmdCfrInit(XIpiPsu *IpiInst, XSemIpiResp *Resp);
```

Parameters

The following table lists the `XSem_CmdCfrInit` function arguments.

Table 439: XSem_CmdCfrInit Arguments

Type	Name	Description
XIpiPsu *	IpiInst	Pointer to IPI driver instance
XSemIpiResp *	Resp	Structure Pointer of IPI response. <ul style="list-style-type: none"> Resp->RespMsg1: Acknowledgment ID of CRAM Initialization Resp->RespMsg2: Status of CRAM Initialization

Returns

This API returns the success or failure.

- XST_FAILURE: On CRAM Initialization failure
- XST_SUCCESS: On CRAM Initialization success

XSem_CmdCfrStartScan

This function is used to start CRAM scan from user application. Primarily this function sends an IPI request to PLM to invoke SEM CRAM StartScan, waits for PLM to process the request and reads the response message.

Prototype

```
XStatus XSem_CmdCfrStartScan(XIpiPsu *IpiInst, XSemIpiResp *Resp);
```

Parameters

The following table lists the `XSem_CmdCfrStartScan` function arguments.

Table 440: XSem_CmdCfrStartScan Arguments

Type	Name	Description
XIpiPsu *	IpiInst	Pointer to IPI driver instance
XSemIpiResp *	Resp	Structure Pointer of IPI response. <ul style="list-style-type: none"> Resp->RespMsg1: Acknowledgment ID of CRAM start scan Resp->RespMsg2: Status of CRAM start scan

Returns

This API returns the success or failure.

- XST_FAILURE: On CRAM start scan failure
- XST_SUCCESS: On CRAM start scan success

XSem_CmdCfrStopScan

This function is used to stop CRAM scan from user application. Primarily this function sends an IPI request to PLM to invoke SEM CRAM StopScan, waits for PLM to process the request and reads the response message.

Prototype

```
XStatus XSem_CmdCfrStopScan(XIpiPsu *IpiInst, XSemIpiResp *Resp);
```

Parameters

The following table lists the XSem_CmdCfrStopScan function arguments.

Table 441: XSem_CmdCfrStopScan Arguments

Type	Name	Description
XIpiPsu *	IpiInst	Pointer to IPI driver instance
XSemIpiResp *	Resp	Structure Pointer of IPI response. <ul style="list-style-type: none"> Resp->RespMsg1: Acknowledgment ID of CRAM stop scan Resp->RespMsg2: Status of CRAM stop scan

Returns

This API returns the success or failure.

- XST_FAILURE: On CRAM stop scan failure
- XST_SUCCESS: On CRAM stop scan success

XSem_CmdCfrNjctErr

This function is used to inject an error at a valid location in CRAM from user application. Primarily this function sends an IPI request to PLM to perform error injection in CRAM with user provided arguments in *ErrDetail, waits for PLM to process the request and reads the response message.

Prototype

```
XStatus XSem_CmdCfrNjctErr(XIpiPsu *IpiInst, XSemCfrErrInjData *ErrDetail,
XSemIpiResp *Resp);
```

Parameters

The following table lists the `XSem_CmdCfrNjctErr` function arguments.

Table 442: XSem_CmdCfrNjctErr Arguments

Type	Name	Description
XIpiPsu *	IpiInst	Pointer to IPI driver instance
XSemCfrErrInjData *	ErrDetail	Structure Pointer with Error Injection details
XSemIpiResp *	Resp	Structure Pointer of IPI response. <ul style="list-style-type: none"> Resp->RespMsg1: Acknowledgment ID of CRAM error injection Resp->RespMsg2: Status of CRAM error injection

Returns

This API returns the success or failure.

- XST_FAILURE: On CRAM error injection failure
- XST_SUCCESS: On CRAM error injection success

XSem_CmdCfrGetStatus

This function is used to read all CRAM Status registers from PMC RAM and send to user application.

Prototype

```
XStatus XSem_CmdCfrGetStatus(XSemCfrStatus *CfrStatusInfo);
```

Parameters

The following table lists the `XSem_CmdCfrGetStatus` function arguments.

Table 443: XSem_CmdCfrGetStatus Arguments

Type	Name	Description
XSemCfrStatus *	CfrStatusInfo	Structure Pointer with CRAM Status details <ul style="list-style-type: none"> • CfrStatusInfo->Status: Provides details about CRAM scan <ul style="list-style-type: none"> ◦ Bit [31-25]: Reserved ◦ Bit [24:20]: CRAM Error codes <ul style="list-style-type: none"> - 00001: Unexpected CRC error when CRAM is not in observation state - 00010: Unexpected ECC error when CRAM is not in Observation or Initialization state - 00011: Safety write error in SEU handler - 00100: ECC/CRC ISR not found in any row - 00101: CRAM Initialization is not done - 00110: CRAM Start Scan failure - 00111: CRAM Stop Scan failure - 01000: Invalid Row for Error Injection - 01001: Invalid QWord for Error Injection - 01010: Invalid Bit for Error Injection - 01011: Invalid Frame Address for Error Injection - 01100: Unexpected Bit flip during Error Injection - 01101: Masked Bit during Injection - 01110: Invalid Block Type for Error Injection - 01111: CRC or Uncorrectable Error is active in CRAM - 10000: ECC or CRC Error detected during CRAM Calibration in case of SWECC ◦ Bit [19-17]: Reserved ◦ Bit [16]: CRAM Initialization is completed ◦ Bit [15-14]: CRAM Correctable ECC error status <ul style="list-style-type: none"> - 00: No Correctable error encountered - 01: Correctable error detected and corrected - 10: Correctable error detected but not corrected (Correction is disabled) - 11: Reserved ◦ Bit [13]: CRAM Scan internal error ◦ Bit [12]: CRAM Invalid Error Location detected ◦ Bit [11]: CRAM Correctable ECC error detected ◦ Bit [10]: CRAM CRC error detected ◦ Bit [09]: CRAM Uncorrectable ECC error detected ◦ Bit [08]: CRAM ECC error during Initialization ◦ Bit [07]: CRAM Calibration Timeout error ◦ Bit [06]: CRAM Fatal/Error State ◦ Bit [05]: CRAM Error Injection State ◦ Bit [04]: CRAM Idle State ◦ Bit [03]: CRAM Correction State ◦ Bit [02]: CRAM Observation State ◦ Bit [01]: CRAM Initialization State ◦ Bit [00]: CRAM Scan is included in design • CfrStatusInfo->ErrAddrL: This stores the low address of the last 7 corrected error details if correction is enabled in design. • CfrStatusInfo->ErrAddrH: This stores the high address of the last 7 corrected error details if correction is enabled in design. • CfrStatusInfo->ErrCorCnt: Counter value of Correctable Error Bits

Returns

This API returns the success or failure.

- XST_FAILURE: If NULL pointer reference of CfrStatusInfo
- XST_SUCCESS: On successful read from PMC RAM

XSem_CmdNpiStartScan

This function is used to start NPI scan from user application. Primarily this function sends an IPI request to PLM to invoke SEM NPI StartScan, waits for PLM to process the request and reads the response message.

Prototype

```
XStatus XSem_CmdNpiStartScan(XIpiPsu *IpiInst, XSemIpiResp *Resp);
```

Parameters

The following table lists the `XSem_CmdNpiStartScan` function arguments.

Table 444: XSem_CmdNpiStartScan Arguments

Type	Name	Description
XIpiPsu *	IpiInst	Pointer to IPI driver instance
XSemIpiResp *	Resp	Structure Pointer of IPI response. <ul style="list-style-type: none"> • Resp->RespMsg1: Acknowledgment ID of NPI start scan • Resp->RespMsg2: Status of NPI start scan

Returns

This API returns the success or failure.

- XST_FAILURE: On NPI start scan failure
- XST_SUCCESS: On NPI start scan success

XSem_CmdNpiStopScan

This function is used to stop NPI scan from user application. Primarily this function sends an IPI request to PLM to invoke SEM NPI StopScan, waits for PLM to process the request and reads the response message.

Prototype

```
XStatus XSem_CmdNpiStopScan(XIpiPsu *IpiInst, XSemIpiResp *Resp);
```

Parameters

The following table lists the `XSem_CmdNpiStopScan` function arguments.

Table 445: XSem_CmdNpiStopScan Arguments

Type	Name	Description
XIpiPsu *	IpiInst	Pointer to IPI driver instance
XSemIpiResp *	Resp	Structure Pointer of IPI response. <ul style="list-style-type: none"> Resp->RespMsg1: Acknowledgment ID of NPI stop scan Resp->RespMsg2: Status of NPI stop scan

Returns

This API returns the success or failure.

- XST_FAILURE: On NPI stop scan failure
- XST_SUCCESS: On NPI stop scan success

XSem_CmdNpiInjectError

This function is used to inject SHA error in NPI descriptor list (in the first NPI descriptor) from user application. Primarily this function sends an IPI request to PLM to invoke SEM NPI ErrorInject, waits for PLM to process the request and reads the response message.

Note: The caller shall invoke this `XSem_CmdNpiInjectError` function again to correct the injected error in NPI descriptor.

Prototype

```
XStatus XSem_CmdNpiInjectError(XIpiPsu *IpiInst, XSemIpiResp *Resp);
```

Parameters

The following table lists the `XSem_CmdNpiInjectError` function arguments.

Table 446: XSem_CmdNpiInjectError Arguments

Type	Name	Description
XIpiPsu *	IpiInst	Pointer to IPI driver instance
XSemIpiResp *	Resp	Structure Pointer of IPI response. <ul style="list-style-type: none"> Resp->RespMsg1: Acknowledgment ID of NPI error injection Resp->RespMsg2: Status of NPI error injection

Returns

This API returns the success or failure.

- XST_FAILURE: On NPI error injection failure
- XST_SUCCESS: On NPI error injection success

XSem_CmdNpiGetStatus

This function is used to read all NPI Status registers from PMC RAM and send to user application.

Prototype

```
XStatus XSem_CmdNpiGetStatus(XSemNpiStatus *NpiStatusInfo);
```

Parameters

The following table lists the `XSem_CmdNpiGetStatus` function arguments.

Table 447: XSem_CmdNpiGetStatus Arguments

Type	Name	Description
XSemNpiStatus *	NpiStatusInfo	Structure Pointer with NPI Status details <ul style="list-style-type: none"> • NpiStatusInfo->Status: Provides details about NPI scan <ul style="list-style-type: none"> ◦ Bit [31]: Cryptographic acceleration blocks are disabled for export compliance ◦ Bit [30-26]: Reserved ◦ Bit [25]: NPI GPIO write failure ◦ Bit [24]: NPI SHA engine failure ◦ Bit [23]: NPI Safety register write failure ◦ Bit [22]: NPI GT slave arbitration failure ◦ Bit [21]: NPI DDRMC Main slave arbitration failure ◦ Bit [20]: NPI Slave Address is not valid ◦ Bit [19]: NPI Descriptor SHA header is not valid ◦ Bit [18]: NPI Descriptor header is not valid ◦ Bit [17]: NPI SHA mismatch error is detected during scan ◦ Bit [16]: NPI SHA mismatch error is detected in first scan ◦ Bit [15-12]: Reserved ◦ Bit [11]: NPI periodic scan is enabled ◦ Bit [10]: NPI scan is suspended ◦ Bit [09]: NPI completed the first scan ◦ Bit [08]: NPI Scan is included in design ◦ Bit [07-06]: Reserved ◦ Bit [05]: NPI Internal Error State ◦ Bit [04]: NPI SHA mismatch Error State ◦ Bit [03]: NPI SHA Error Injection State ◦ Bit [02]: NPI Scan State ◦ Bit [01]: NPI Initialization State ◦ Bit [00]: NPI Idle State • NpiStatusInfo->SlvSkipCnt: Provides NPI descriptor slave skip counter value if arbitration failure. This is 8 words result to accommodate 32 1-Byte skip counters for individual slaves arbitration failures. Slaves can be DDRMC Main, GT for which arbitration is required before performing scanning. • NpiStatusInfo->ScanCnt: NPI scan counter value. This counter represents number of periodic scan cycle completion. • NpiStatusInfo->HbCnt: NPI heartbeat counter value. This counter represents number of scanned descriptor slaves. • NpiStatusInfo->ErrInfo: NPI scan error information if SHA mismatch is detected. This is 2 word information. <ul style="list-style-type: none"> ◦ Word 0: Node ID of descriptor for which SHA mismatch is detected ◦ Word 1 Bit [15-8]: NPI descriptor index number ◦ Word 1 Bit [7-0]: NPI Slave Skip count Index

Returns

This API returns the success or failure.

- XST_FAILURE: If NULL pointer reference of NpiStatusInfo
- XST_SUCCESS: On successful read from PMC RAM

XSem_RegisterEvent

This function is used to register/un-register event notification with XilSEM Server. Primarily this function sends an IPI request to PLM to invoke SEM Event Notifier registration, waits for PLM to process the request and check the status.

Note: The caller shall initialize the notifier object before invoking the XSem_RegisterEvent function.

Prototype

```
XStatus XSem_RegisterEvent(XIpiPsu *IpiInst, XSem_Notifier *Notifier);
```

Parameters

The following table lists the XSem_RegisterEvent function arguments.

Table 448: XSem_RegisterEvent Arguments

Type	Name	Description
XIpiPsu *	IpiInst	Pointer to IPI driver instance
XSem_Notifier *	Notifier	Pointer of the notifier object to be associated with the requested notification

Returns

This API returns the success or failure.

- XST_FAILURE: On event registration/un-registration failure
- XST_SUCCESS: On event registration/un-registration success

Data Structure Index

The following is a list of data structures:

- [XSemCfrErrInjData](#)
- [XSemCfrStatus](#)
- [XSemIpiResp](#)
- [XSemNpiStatus](#)
- [XSem_Notifier](#)

- [XSem_XmpuCfg](#)

XSem_Notifier

This structure contains details of event notification to be registered with the XiSEM server.

Declaration

```
typedef struct
{
    u32 Module,
    u32 Event,
    u32 Flag
} XSem_Notifier;
```

Table 449: Structure XSem_Notifier member description

Member	Description
Module	The module information to receive notifications. Module can be either CRAM or NPI. <ul style="list-style-type: none"> • For CRAM: use XSEM_NOTIFY_CRAM • For NPI: use XSEM_NOTIFY_NPI
Event	The event types specify the specific event registration. For CRAM module, events are: <ul style="list-style-type: none"> • Uncorrectable ECC error: use XSEM_EVENT_CRAM_UNCOR_ECC_ERR • Uncorrectable CRC error: use XSEM_EVENT_CRAM_CRC_ERR • Internal error: use XSEM_EVENT_CRAM_INT_ERR • Correctable ECC error: use XSEM_EVENT_CRAM_COR_ECC_ERR For NPI module, events are: <ul style="list-style-type: none"> • Uncorrectable CRC error: use XSEM_EVENT_NPI_CRC_ERR • Internal error: use XSEM_EVENT_NPI_INT_ERR
Flag	Event flags to enable or disable notification. <ul style="list-style-type: none"> • To enable event notification: use XSEM_EVENT_ENABLE • To disable event notification: use XSEM_EVENT_DISABLE

XSem_XmpuCfg

XMPU Config Database

Declaration

```
typedef struct
{
    u32 DdrmcNocAddr,
    u32 XmpuRegionNum,
    u32 XmpuConfig,
    u32 XmpuStartAddrLo,
    u32 XmpuStartAddrUp,
    u32 XmpuEndAddrLo,
    u32 XmpuEndAddrUp,
    u32 XmpuMaster
} XSem_XmpuCfg;
```

Table 450: Structure XSem_XmpuCfg member description

Member	Description
DdrmcNocAddr	DDRMC NOC address
XmpuRegionNum	XMPU region number
XmpuConfig	XMPU entry config
XmpuStartAddrLo	XMPU start address lower portion
XmpuStartAddrUp	XMPU start address upper portion
XmpuEndAddrLo	XMPU end address lower portion
XmpuEndAddrUp	XMPU end address upper portion
XmpuMaster	XMPU master ID and mask

XSemCfrErrInjData

CRAM Error Injection structure to hold the Error Injection Location details for CRAM.

- Frame address
- Quad Word in a Frame, Range from 0 to 24
- Bit Position in a Quad Word, Range from 0 to 127
- Row Number, Range can be found from CFU_APB_CFU_ROW_RANGE register

Declaration

```
typedef struct
{
    u32 Efar,
    u32 Qword,
    u32 Bit,
    u32 Row
} XSemCfrErrInjData;
```

Table 451: Structure XSemCfrErrInjData member description

Member	Description
Efar	Frame Address
Qword	Quad Word 0...24
Bit	Bit Position 0...127
Row	Row Number

XSemCfrStatus

CRAM Status structure to store the data read from PMC RAM registers. This structure provides:

- CRAM scan state information
- The low address of last 7 corrected error details if correction is enabled in design
- The high address of last 7 corrected error details if correction is enabled in design
- CRAM corrected error bits count value

Declaration

```
typedef struct
{
    u32 Status,
    u32 ErrAddrL[MAX_CRAMERR_REGISTER_CNT],
    u32 ErrAddrH[MAX_CRAMERR_REGISTER_CNT],
    u32 ErrCorCnt
} XSemCfrStatus;
```

Table 452: Structure XSemCfrStatus member description

Member	Description
Status	CRAM Status
ErrAddrL	Error Low register L0...L6
ErrAddrH	Error High register H0...H6
ErrCorCnt	Count of correctable errors

XSemIpiResp

IPI Response Data structure.

Declaration

```
typedef struct
{
    u32 RespMsg1,
    u32 RespMsg2,
    u32 RespMsg3,
```

```

u32 RespMsg4,
u32 RespMsg5,
u32 RespMsg6,
u32 RespMsg7
} XSemIpiResp;
    
```

Table 453: Structure XSemIpiResp member description

Member	Description
RespMsg1	Response word 1 (Ack Header)
RespMsg2	Response word 2
RespMsg3	Response word 3
RespMsg4	Response word 4
RespMsg5	Response word 5
RespMsg6	Response word 6
RespMsg7	Response word 7 (Reserved for CRC)

XSemNpiStatus

NPI Status structure to store the data read from PMC RAM registers. This structure provides:

- NPI scan status information
- NPI descriptor slave skip counter value if arbitration failure
- NPI scan counter value
- NPI heartbeat counter value
- NPI scan error information if SHA mismatch is detected

Declaration

```

typedef struct
{
    u32 Status,
    u32 SlvSkipCnt[MAX_NPI_SLV_SKIP_CNT],
    u32 ScanCnt,
    u32 HbCnt,
    u32 ErrInfo[MAX_NPI_ERR_INFO_CNT]
} XSemNpiStatus;
    
```

Table 454: Structure XSemNpiStatus member description

Member	Description
Status	NPI Status
SlvSkipCnt	Slave Skip Count
ScanCnt	Scan Count
HbCnt	Heart Beat Count
ErrInfo	Error Information when SHA mismatch occurs

Additional Resources and Legal Notices

Xilinx Resources

For support resources such as Answers, Documentation, Downloads, and Forums, see [Xilinx Support](#).

Documentation Navigator and Design Hubs

Xilinx[®] Documentation Navigator (DocNav) provides access to Xilinx documents, videos, and support resources, which you can filter and search to find information. To open DocNav:

- From the Vivado[®] IDE, select **Help** → **Documentation and Tutorials**.
- On Windows, select **Start** → **All Programs** → **Xilinx Design Tools** → **DocNav**.
- At the Linux command prompt, enter `docnav`.

Xilinx Design Hubs provide links to documentation organized by design tasks and other topics, which you can use to learn key concepts and address frequently asked questions. To access the Design Hubs:

- In DocNav, click the **Design Hubs View** tab.
- On the Xilinx website, see the [Design Hubs](#) page.

Note: For more information on DocNav, see the [Documentation Navigator](#) page on the Xilinx website.

Please Read: Important Legal Notices

The information disclosed to you hereunder (the "Materials") is provided solely for the selection and use of Xilinx products. To the maximum extent permitted by applicable law: (1) Materials are made available "AS IS" and with all faults, Xilinx hereby DISCLAIMS ALL WARRANTIES AND CONDITIONS, EXPRESS, IMPLIED, OR STATUTORY, INCLUDING BUT NOT LIMITED TO WARRANTIES OF MERCHANTABILITY, NON-INFRINGEMENT, OR FITNESS FOR ANY PARTICULAR PURPOSE; and (2) Xilinx shall not be liable (whether in contract or tort, including negligence, or under any other theory of liability) for any loss or damage of any kind or nature related to, arising under, or in connection with, the Materials (including your use of the Materials), including for any direct, indirect, special, incidental, or consequential loss or damage (including loss of data, profits, goodwill, or any type of loss or damage suffered as a result of any action brought by a third party) even if such damage or loss was reasonably foreseeable or Xilinx had been advised of the possibility of the same. Xilinx assumes no obligation to correct any errors contained in the Materials or to notify you of updates to the Materials or to product specifications. You may not reproduce, modify, distribute, or publicly display the Materials without prior written consent. Certain products are subject to the terms and conditions of Xilinx's limited warranty, please refer to Xilinx's Terms of Sale which can be viewed at <https://www.xilinx.com/legal.htm#tos>; IP cores may be subject to warranty and support terms contained in a license issued to you by Xilinx. Xilinx products are not designed or intended to be fail-safe or for use in any application requiring fail-safe performance; you assume sole risk and liability for use of Xilinx products in such critical applications, please refer to Xilinx's Terms of Sale which can be viewed at <https://www.xilinx.com/legal.htm#tos>.

AUTOMOTIVE APPLICATIONS DISCLAIMER

AUTOMOTIVE PRODUCTS (IDENTIFIED AS "XA" IN THE PART NUMBER) ARE NOT WARRANTED FOR USE IN THE DEPLOYMENT OF AIRBAGS OR FOR USE IN APPLICATIONS THAT AFFECT CONTROL OF A VEHICLE ("SAFETY APPLICATION") UNLESS THERE IS A SAFETY CONCEPT OR REDUNDANCY FEATURE CONSISTENT WITH THE ISO 26262 AUTOMOTIVE SAFETY STANDARD ("SAFETY DESIGN"). CUSTOMER SHALL, PRIOR TO USING OR DISTRIBUTING ANY SYSTEMS THAT INCORPORATE PRODUCTS, THOROUGHLY TEST SUCH SYSTEMS FOR SAFETY PURPOSES. USE OF PRODUCTS IN A SAFETY APPLICATION WITHOUT A SAFETY DESIGN IS FULLY AT THE RISK OF CUSTOMER, SUBJECT ONLY TO APPLICABLE LAWS AND REGULATIONS GOVERNING LIMITATIONS ON PRODUCT LIABILITY.

Copyright

© Copyright 2009-2021 Xilinx, Inc. Xilinx, the Xilinx logo, Alveo, Artix, Kintex, Spartan, Versal, Virtex, Vivado, Zynq, and other designated brands included herein are trademarks of Xilinx in the United States and other countries. All other trademarks are the property of their respective owners.