

MIPI CSI-2 Transmitter Subsystem v2.0

Product Guide

Vivado Design Suite

PG260 July 2, 2019



Table of Contents

IP Facts

Chapter 1: Overview

Sub-Core Details	6
Applications	7
Unsupported Features	7
Licensing and Ordering	8

Chapter 2: Product Specification

Standards	9
Resource Utilization	9
Port Descriptions	9
Pixel Encoding	13
Register Space	15

Chapter 3: Designing with the Subsystem

General Design Guidelines	23
Shared Logic	23
I/O Planning	25
Clocking	27
Resets	28
Protocol Description	29

Chapter 4: Design Flow Steps

Customizing and Generating the Subsystem	32
Constraining the Subsystem	39
Simulation	40
Synthesis and Implementation	40

Chapter 5: Example Design

Overview	41
----------------	----

Appendix A: Verification, Compliance, and Interoperability

Hardware Validation	44
---------------------------	----

Appendix B: Debugging

Finding Help on Xilinx.com	45
Debug Tools	46
Hardware Debug	47
Interface Debug	47

Appendix C: Additional Resources and Legal Notices

Xilinx Resources	50
Documentation Navigator and Design Hubs	50
References	50
Revision History	52
Please Read: Important Legal Notices	53

Introduction

The Mobile Industry Processor Interface (MIPI) Camera Serial Interface (CSI-2) TX subsystem implements a CSI-2 transmitter interface with underlying MIPI DPHY standard v1.2 [Ref 1]. The CSI-2 TX subsystem packs the incoming pixel data to CSI-2 packets with the required pixel to byte conversion, header and footer insertion. Also generates the required frame and line marker packets. These packets are then sent over DPHY interface for transmission.

Features

- Support for 1 to 4 D-PHY lanes
- Maximum data rate of 2.5 Gb/s
- Multiple data type support (RAW, RGB, YUV, User defined)
- Support for single, dual, quad pixel modes
- Support for 1 to 4 virtual channels
- Low power state (LPS) insertion between the packets
- Ultra low power state (ULPS) mode generation using register access
- Interrupt generation to indicate subsystem status information
- AXI4-Lite interface for register access to configure different subsystem options
- Configurable Line Start/Line End packet generation
- Configurable selection of D-PHY register interface

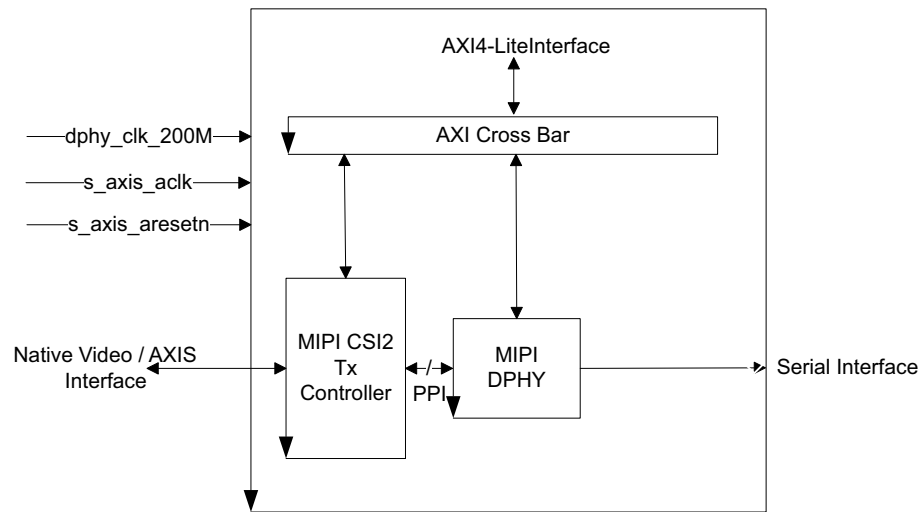
IP Facts Table	
Subsystem Specifics	
Supported Device Family ⁽¹⁾	UltraScale+™ Families, Zynq® UltraScale+ MPSoC, Zynq®-7000 SoC, 7 Series FPGAs
Supported User Interfaces	AXI4-Lite, AXI4-Stream, Native Video
Resources	Performance and Resource Utilization web page
Provided with Subsystem	
Design Files	Encrypted RTL
Example Design	Vivado IP Integrator
Test Bench	Available
Constraints File	XDC
Simulation Model	Not Provided
Supported S/W Driver ⁽²⁾	Standalone
Tested Design Flows⁽³⁾	
Design Entry	Vivado® Design Suite
Simulation	For supported simulators, see the Xilinx Design Tools: Release Notes Guide .
Synthesis	Vivado Synthesis
Support	
Provided by Xilinx at the Xilinx Support web page	

Notes:

1. For a complete list of supported devices, see the Vivado IP catalog.
2. Standalone driver details can be found in the SDK directory (<install_directory>/SDK/<release>/data/embeddedsw/doc/xilinx_drivers.htm). Linux OS and driver support information is available from the [Xilinx Wiki page](#).
3. For the supported versions of the tools, see the [Xilinx Design Tools: Release Notes Guide](#).
4. For Example Design simulation needs to be run more than 1.5 ms because of MIPI initialization sequence.

Overview

The MIPI CSI-2 TX subsystem allows you to quickly create systems based on the MIPI protocol. It interfaces between image sensors and an image sensor pipe. An internal high speed physical layer design, D-PHY, is provided that allows direct connection to MIPI based receivers. The top level customization parameters select the required hardware blocks needed to build the subsystem. [Figure 1-1](#) shows the subsystem architecture.



X17904-120618

Figure 1-1: Subsystem Architecture

The subsystem consists of the following sub-cores:

- MIPI D-PHY
- MIPI CSI-2 TX Controller
- AXI Crossbar

Sub-Core Details

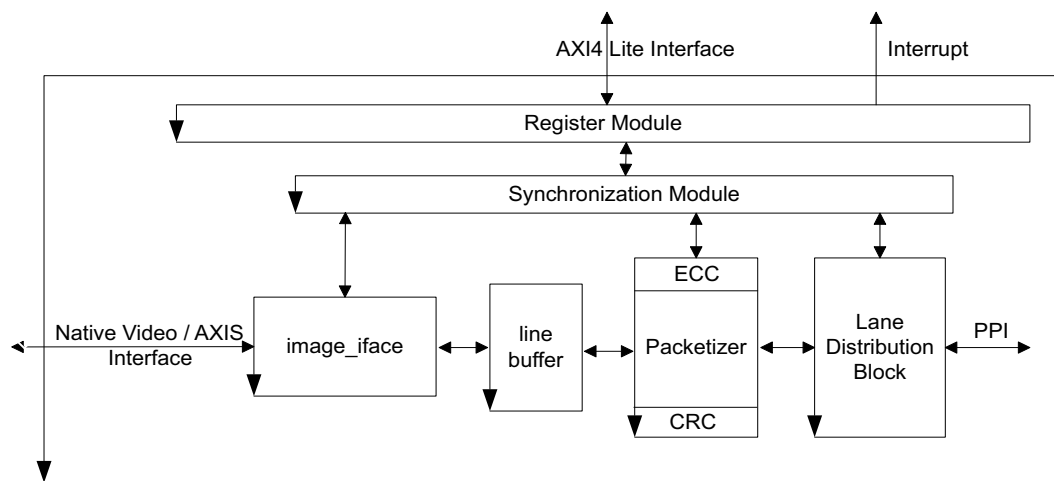
MIPI D-PHY

The MIPI D-PHY IP core implements a D-PHY TX interface and provides PHY protocol layer support compatible with the CSI-2 TX interface. MIPI I/O bank support & I/O Planner are present only for UltraScale+ devices. Implementation of external D-PHY chip or resistive circuit is required for I/O implementation when using 7 Series FPGAs. For more details, refer *MIPI D-PHY LogiCORE IP Product Guide (PG202)* [Ref 3].

MIPI CSI-2 TX Controller

CSI provides the mobile industry a standard, robust, scalable, low-power, high-speed, cost-effective interface that supports a wide range of imaging solutions for mobile devices.

MIPI CSI-2 TX Controller receives stream of image data via Native video or AXI4-Stream input interface. The controller adds the synchronization packets and performs the pixel-to-byte conversions for the pixel data. Packed byte data is sent over the D-PHY interface for transmission. AXI4-Lite interface is used to access core registers. The MIPI CSI2-TX Controller supports ECC and CRC generation for header and payload respectively.



X17903-092816

Figure 1-2: MIPI CSI-2 TX Controller Core

Features of this core include:

- Multi-lane interoperability that allows more bandwidth than that provided by one lane. Those trying to avoid high clock rates, can expand the data path to multiple lanes and obtain approximately linear increases in peak bus bandwidth

- Short and long packets with all word count values supported and can be used for low level protocol communication
- Error Correction Code (ECC) for error generation in Long and Short packet header. To detect possible errors in transmission, a checksum is calculated over each data packet. The checksum is realized as 16-bit CRC. The generator polynomial is $x^{16}+x^{12}+x^5+x^0$
- Supports embedded non-image data transmission using the same input Native video or AXI4S interface.
- Supports active lane configuration, programmable native video interface or AXI4 streaming interface, and programmable CRC generation.
- Supports periodic skew pattern generation for line rates >1.5 Gbps.

AXI Crossbar

The AXI Crossbar core is used in the subsystem to route AXI4-Lite requests to corresponding sub-cores based on the address. See the *AXI Interconnect LogiCORE IP Product Guide* [Ref 4] for details.

Applications

The Xilinx MIPI CSI-2 TX controller implements camera sensor transmitter interface over MIPI D-PHY interface. It can be used to bridge between non-MIPI camera sensors to MIPI based image sensor processors or to map video data captured over other interfaces such as HDMI and DisplayPort™ to a MIPI CSI interface. MIPI is a group of protocols defined by the mobile industry group to standardize all interfaces within mobile platforms such as mobile phones and tablets. However the large volumes and the economies of scale of the mobile industry is forcing other applications to also adopt these standards. As such MIPI-based camera sensors and Image sensor processors are being increasingly used in applications such as driver assistance technologies in automotive applications, video security surveillance cameras, video conferencing and emerging applications such as virtual and augmented reality.

Unsupported Features

- Secondary data types excluding RAW12,RAW14 are not supported.

Licensing and Ordering

License Checkers

If the IP requires a license key, the key must be verified. The Vivado® design tools have several license checkpoints for gating licensed IP through the flow. If the license check succeeds, the IP can continue generation. Otherwise, generation halts with error. License checkpoints are enforced by the following tools:

- Vivado synthesis
- Vivado implementation
- write_bitstream (Tcl command)



IMPORTANT: *IP license level is ignored at checkpoints. The test confirms a valid license exists. It does not check IP license level.*

License Type

This Xilinx module is provided under the terms of the [Xilinx Core License Agreement](#). The module is shipped as part of the Vivado® Design Suite. For full access to all core functionalities in simulation and in hardware, you must purchase a license for the core. Contact your [local Xilinx sales representative](#) for information about pricing and availability.

For more information, visit the MIPI CSI-2 TX Subsystem [product web page](#).

Information about other Xilinx LogiCORE IP modules is available at the [Xilinx Intellectual Property](#) page. For information on pricing and availability of other Xilinx LogiCORE IP modules and tools, contact your [local Xilinx sales representative](#).

Product Specification

Standards

- MIPI Alliance Standard for Camera Serial Interface CSI-2 v1.1 [\[Ref 1\]](#)
- MIPI Alliance Physical Layer Specifications, D-PHY Specification v1.1 [\[Ref 6\]](#)
- Processor Interface, AXI4-Lite: see the *Vivado Design Suite: AXI Reference Guide* (UG1037) [\[Ref 7\]](#)
- Input Pixel Interface: see the *AXI4-Stream Video IP and System Design Guide* (UG934) [\[Ref 2\]](#)

Resource Utilization

For full details about performance and resource utilization, visit the [Performance and Resource Utilization web page](#).

Port Descriptions

The MIPI CSI-2 TX Subsystem I/O signals are described in [Table 2-1](#).

Table 2-1: Port Descriptions

Signal name	Interface	Direction	Description
DPHY Interface (7 Series family) Shared Logic in the Core			
txclkesc_out	PPI	Output	Use to connect the txclkesc pin.
oserdес_сlk_out	PPI	Output	Use to connect the OSERDES clock pin. Frequency of the clock is <code>line_rate/2</code>

Table 2-1: Port Descriptions (Cont'd)

Signal name	Interface	Direction	Description
txbyteclkhs	PPI	Output	txbyteclkhs frequency for D-PHY TX when the shared logic is inside the core. The frequency of the clock is $line_rate/8.0$. This clock has 90° phase shift (quadrature alignment) with oserdes_clk_out
system_rst_out	PPI	Output	Active-high system reset Output to be used by the example design level logic
mmcm_lock_out	PPI	Output	MMCM lock indication Active-High
mipi_phy_if	PPI	Output	DPHY serial interface
DPHY Interface (UltraScale+™) Shared Logic in the Core			
xiphy_byteclk_out	PPI	Output	Goes as an input to PHY Used to transmit high-speed data
clkoutphy_out	PPI	Output	PHY serial clock
pll_lock_out	PPI	Output	PLL lock indication
txbyteclkhs	PPI	Output	txbyteclkhs frequency for D-PHY TX when the shared logic is inside the core Frequency is $line_rate/8.0$
mipi_phy_if	PPI	Output	DPHY serial interface
DPHY Interface (UltraScale+) Shared Logic in Example Design			
mipi_phy_if	PPI	Output	DPHY serial interface
xiphy_byteclk_in	PPI	Input	Connect the xiphy_byteclk pin
clkoutphy_in	PPI	Input	Connect the clkoutphy pin
pll_lock_in	PPI	Input	Connect the PLL Pins Active-High
txclkesc_in	PPI	Input	Escape clock
system_rst_in	PPI	Input	Active-High system reset
txbyteclkhs_in	PPI	Input	Byteclkhs for D-PHY TX when shared logic is in example design Frequency is $line_rate/8.0$
DPHY Interface (7 Series Family) Shared Logic in Example Design			
txclkesc_in	PPI	Input	Escape Clock
oserdes_clk_in	PPI	Input	Connect the OSERDES CLK pin Frequency is $line_rate/2$.
txbyteclkhs_in	PPI	Input	Frequency for D-PHY TX when Shared Logic is in example design Frequency is $line_rate/8.0$
system_rst_in	PPI	Input	Active-high system reset
mipi_phy_if	PPI	Output	DPHY serial interface

Table 2-1: Port Descriptions (Cont'd)

Signal name	Interface	Direction	Description
AXI4-Lite Interface			
s_axi_*	S_AXI	-	AXI4-lite interface
AXI4-Stream Input Interface			
s_axis_aclk	System	Input	AXI clock (same clock for AXI4-Lite and AXI4-Stream interface)
s_axis_aresetn	System	Input	AXI reset. Active-Low (same reset for AXI4-Lite and AXI4-Stream interface)
s_axis_tready	S_AXIS	Output	Driven by the CSI2 TX controller Indicates that the controller is ready to accept the data
s_axis_tvalid	S_AXIS	Input	Indicates that the data on s_axis_tdata is valid When high, and is the first pixel of the line, it validates the following signals: <ul style="list-style-type: none"> s_axis_tdest s_axis_tuser[47:32] s_axis_tuser[63:48]
s_axis_tlast	S_AXIS	Input	Indicates the line end and is triggered on last pixel of every line
s_axis_tdata[N-1:0]	S_AXIS	Input	AXI4-Stream interface Width of this port is dependent on the pixel type and the number of pixels per beat
s_axis_tdest[1:0]	S_AXIS	Input	AXI4-Stream interface Virtual channel identifier
s_axis_tuser[95:0]	S_AXIS	Input	AXI4-Stream sideband interface <ul style="list-style-type: none"> 95-64 Reserved 63-48 Word count 47-32 Line number 31-16 Frame number 6-1 Data type 0 Frame start
s_axis_tkeep[5:0]	S_AXIS	Input	Not used by the IP, tie it to zero
Native Video Interface			
vid_vsync	Video	Input	Active-High vertical sync
vid_hsync	Video	Input	Active-High horizontal sync
vid_enable	Video	Input	Active-High pixel data enable
vid_pxl[N-1:0]	Video	Input	Video Data Width of this port is dependent on pixel type and the number of pixels per beat Sampled at when vid_enable is high

Table 2-1: Port Descriptions (Cont'd)

Signal name	Interface	Direction	Description
vid_vc[1:0]	Video	Input	Virtual Channel Identifier Sampled at the rising edges of vid_vsync or vid_hsync or vid_enable
vid_di[5:0]	Video	Input	Indicates the Data ID of the incoming long packet Sampled on the rising edges of vid_hsync
vid_linenum[15:0]	Video	Input	Line number to use Sampled at Hsync rising edge
vid_framenum[15:0]	Video	Input	Frame number to use Sampled at Vsync rising edge
vid_wc[15:0]	Video	Input	Word count of the long packet Sampled at Hsync rising edge
System Interface			
Interrupt	System	Output	System interrupt output

The core adds data ID implicitly on detection for the synchronization of short packets such as Frame Start/End, and Line Start/End. For more details, refer [Appendix B, Debugging](#).

[Table 2-2](#) lists the axis ports and their values when you want to drive Data Type = RAW8, Horizontal Pixels = 3840 on Virtual Channel (V.C) = 3 on an AXI streaming interface.

Table 2-2: Port Values on AXI4-Stream Interface

Port	Value
s_axis_tuser[6-1]	0x2A
s_axis_tuser[63-48]	0x0F00
s_axis_tdest[1:0]	0x3

[Table 2-3](#) lists the native ports and their values when you want to drive Data Type = RAW12, Horizontal Pixels = 3840 on Virtual Channel (V.C) = 2 on a native video interface.

Table 2-3: Port Values on Native Video Interface

Port	Value
vid_di[5:0]	0x2C
vid_wc[15:0]	0x1680
vid_vc[1:0]	0x2

Pixel Encoding

This section elaborates the pixel encoding and the `s_axis_tdata` or the `vid_pxl` port width generation followed by the MIPI CSI-2 TX controller. For more details, refer *AXI4-Stream Video IP and System Design Guide* (UG934)[Ref 2].

The width of the `s_axis_tdata` or the `vid_pxl` port is calculated as shown below:

Data Width = Byte aligned of (14*3*Pixel Mode)

For example, the data width for 1 Pixel Mode is 14*3*1 resulting in 42. Therefore, the width has to be byte aligned with the final Data Width, which in this case is 48 ([47:0]).

Table 2-4 lists the pixel encoding for single pixel per beat.

Table 2-4: Pixel Encoding for Single Pixel per Beat

Generic	[12DW-1:11DW]	[11DW-1:10DW]	[10DW-1:9DW]	[9DW-1:8DW]	[8DW-1:7DW]	[7DW-1:6DW]	[6DW-1:5DW]	[5DW-1:4DW]	[4DW-1:3DW]	[3DW-1:2DW]	[2DW-1:DW]	[DW-1:0]
Boundary	[167:154]	[153:140]	[139:126]	[125:112]	[111:98]	[97:84]	[83:70]	[69:56]	[55:42]	[41:28]	[27:14]	[13:0]
Data Type												
RAW8, USD, Embedded non-image data												P0[13:6]
RAW10												P0[13:4]
RAW12												P0[13:2]
RAW14												P0[13:0]
YUV422-8 Bit											U0/ V0[27:20]	Y0/ Y1[13:6]
RGB888										R0[41:34]	B0[27:20]	G0[13:6]
RGB565										R0[41:37]	B0[27:23]	G0[13:8]

Table 2-5 lists the pixel encoding for dual pixel per beat.

Table 2-5: Pixel Encoding for Dual Pixel per Beat

Generic	[12DW-1:11DW]	[11DW-1:10DW]	[10DW-1:9DW]	[9DW-1:8DW]	[8DW-1:7DW]	[7DW-1:6DW]	[6DW-1:5DW]	[5DW-1:4DW]	[4DW-1:3DW]	[3DW-1:2DW]	[2DW-1:DW]	[DW-1:0]
Boundary	[167:154]	[153:140]	[139:126]	[125:112]	[111:98]	[97:84]	[83:70]	[69:56]	[55:42]	[41:28]	[27:14]	[13:0]
Data Type												
RAW8, USD, Embedded non-image data											P1[27:20]	P0[13:6]
RAW10											P1[27:18]	P0[13:4]
RAW12											P1[27:16]	P0[13:2]
RAW14											P1[27:14]	P0[13:0]
YUV422-8Bit									V0[55:48]	Y1[41:34]	U0[27:20]	Y0[13:6]
RGB888							R1[83:76]	B1[69:62]	G1[55:48]	R0[41:34]	B0[27:20]	G0[13:6]
RGB565							R1[83:79]	B1[69:65]	G1[55:50]	R0[41:37]	B0[27:23]	G0[13:8]

Table 2-6 lists the pixel encoding for quad pixel per beat.

Table 2-6: Pixel encoding for Quad Pixel per Beat

Generic	[12DW-1:11DW]	[11DW-1:10DW]	[10DW-1:9DW]	[9DW-1:8DW]	[8DW-1:7DW]	[7DW-1:6DW]	[6DW-1:5DW]	[5DW-1:4DW]	[4DW-1:3DW]	[3DW-1:2DW]	[2DW-1:DW]	[DW-1:0]
Boundary	[167:154]	[153:140]	[139:126]	[125:112]	[111:98]	[97:84]	[83:70]	[69:56]	[55:42]	[41:28]	[27:14]	[13:0]
Data Type												
RAW8, USD, Embedded non-image data									P3[55:48]	P2[41:34]	P1[27:20]	P0[13:6]
RAW10									P3[55:46]	P2[41:32]	P1[27:18]	P0[13:4]
RAW12									P3[55:44]	P2[41:30]	P1[27:16]	P0[13:2]
RAW14									P3[55:42]	P2[41:28]	P1[27:14]	P0[13:0]
YUV422-8Bit					V2[111:104]	Y3[97:90]	U2[83:76]	Y2[69:62]	V0[55:48]	Y1[41:34]	U0[27:20]	Y0[13:6]
RGB888	R3[167:160]	B3[153:146]	G3[139:132]	R2[125:118]	B2[111:104]	G2[97:90]	R1[83:76]	B1[69:62]	G1[55:48]	R0[41:34]	B0[27:20]	G0[13:6]
RGB565	R3[167:163]	B3[153:149]	G3[139:134]	R2[125:121]	B2[111:107]	G2[97:92]	R1[83:79]	B1[69:65]	G1[55:50]	R0[41:37]	B0[27:23]	G0[13:8]

Register Space

This section details registers available in the MIPI CSI-2 TX Subsystem. The address map is split into following regions:

- MIPI CSI-2 TX Controller core
- MIPI D-PHY core

Each IP core is given an address space of 32K. Example offset addresses from the system base address when the MIPI D-PHY registers are enabled are shown in [Table 2-7](#).

Table 2-7: Sub-Core Address Offsets

IP Cores	Offset
MIPI CSI-2 TX Controller	0x0000
MIPI D-PHY	0x1000

MIPI CSI-2 TX Controller Core Registers

[Table 2-8](#) specifies the name, address, and description of each firmware addressable register within the MIPI CSI-2 TX controller core.

Table 2-8: MIPI CSI-2 TX Controller Core Registers

Address Offset	Register Name	Description
0x00	Core Configuration	Core configuration options
0x04	Protocol Configuration	Protocol configuration options
0x08	Reserved ⁽¹⁾	
0x0C	Reserved	
0x10	Reserved	
0x14	Reserved	
0x18	Reserved	
0x1C	Reserved	
0x20	Global interrupt enable	Global interrupt enable registers
0x24	Interrupt status	Interrupt status register
0x28	Interrupt enable	Interrupt enable register
0x2C	Reserved	
0x30	Generic short packet entry	Entry for the generic short packets
0x34	Reserved	
0x38	Reserved	
0x3C	Reserved	

Table 2-8: MIPI CSI-2 TX Controller Core Registers (Cont'd)

Address Offset	Register Name	Description
0x40	Line count for virtual channel - 0	Number of lines for virtual channel - 0
0x44	Line count for virtual channel - 1	Number of lines for virtual channel - 1
0x48	Line count for virtual channel - 2	Number of lines for virtual channel - 2
0x4C	Line count for virtual channel - 3	Number of lines for virtual channel - 3
0x50	Reserved	
0x54	Reserved	
0x58	Reserved	
0x5C	Reserved	
0x60	Reserved	
0x64	Reserved	
0x68	Reserved	
0x6C	Reserved	
0x70	Reserved	
0x74	Reserved	
0x78	Generic short packet status	Generic short packet FIFO status
0x7C	Reserved	

Notes:

1. Access type and reset value for all the reserved bits in the registers is read-only with value 0.
2. Register accesses should be word aligned and there is no support for a write strobe. WSTRB is not used internally.
3. Only the lower 7 bits (6:0) of the read and write address of the AXI4-Lite interface are decoded. This means that accessing address 0x00 and 0x80 results in reading the same address of 0x00.
4. Reads and writes to addresses outside this table do not return an error.
5. Register space from 0x40 to 0x4C is enabled only when the "C_EN_REG_BASED_FE_GEN" parameter is enabled, else the register space will be reserved.

Core Configuration Register (Offset - 0x00)

The Core Configuration register is described in [Table 2-9](#) and allows you to enable and disable the MIPI CSI-2 TX Controller core and apply a soft reset during core operation.

Table 2-9: Core Configuration Register

Bits	Name	Reset Value	Access	Description
31–5	Reserved	N/A	N/A	Reserved Not used by the core Recommended to write 0
4	Clock Mode	0x0	R/W	Clock mode configuration 0: Continuous clock mode 1: Non-continuous clock mode

Table 2-9: Core Configuration Register (Cont'd)

Bits	Name	Reset Value	Access	Description
3	ULPS Mode	0x0	R/W	Drives the lane into ULPS mode 0: Exit 1: Entry
2	Controller Ready	0x0	R	Controller is ready for processing During soft-reset or core disable, rely on this status to ensure if the core has stopped all its activity 1: Controller is Ready 0: Controller is Inactive Note: The Tx subsystem waits for the DPHY to complete its initialization, to indicate that the controller is ready.
1	Soft Reset	0x0	R/W	Soft reset to core 1: Resets the ISR bits only 0: Takes the core out of soft reset Once the soft reset is released, core starts capturing new status information to ISR
0	Core Enable	0x0	R/W	1: Enables the core to receive and process packets 0 ⁽¹⁾ : Disables the core for operation <ul style="list-style-type: none"> When disabled, the controller ends the current transfer by resetting all internal FIFOs and registers When enabled, the controller starts transferring the vsync packet (a new video frame)

Notes:

- When the Core is Disabled (Core Enable is set to 0), you can write into the registers, but the CSI2 TX Controller captures the value only after the core is Enabled (Core Enable is set to 1). The controller also ignores the writes to the Generic Short Packet Entry Register.

Protocol Configuration Register (Offset - 0x04)

The Protocol Configuration register is described in [Table 2-10](#) and allows you to configure protocol specific options such as the number of lanes to be used.

Table 2-10: Protocol Configuration Register

Bits	Name	Reset Value	Access	Description
31–16	Reserved	N/A	N/A	Reserved Not used by the core
15	Line start/End Generation	0x0	R/W	Line synchronization packet generation 0: Do not generate line start/end 1: Generate line start/end Note: Writing this bit might have an impact from the immediate received line, after the change in the configuration.

Table 2-10: Protocol Configuration Register (Cont'd)

Bits	Name	Reset Value	Access	Description
14-13	Pixel Mode	0x0	R	Configured pixel mode 0x0—1 pixel mode 0x1—2 pixel mode 0x3—4 pixel mode
12-5	Reserved	N/A	N/A	Reserved
4-3	Maximum Lanes	Number of lanes configured during core generation	R	Maximum lanes of the core 0x0—1 Lane 0x1—2 Lanes 0x2—3 Lanes 0x3—4 Lanes
2	Reserved	N/A		Reserved
1-0	Active Lanes	Number of lanes configured during core generation	R/W	Configured lanes in the core ⁽¹⁾ 0x0—1 Lane 0x1—2 Lanes 0x2 —3 Lanes 0x3—4 Lanes

Notes:

- When the Active Lanes option is disabled, the Maximum Lanes, and the Active Lanes register fields hold the same value.

Global Interrupt Enable Register (Offset - 0x20)

The Global Interrupt Enable register is described in [Table 2-11](#).

Table 2-11: Global Interrupt Enable Register

Bits	Name	Reset Value	Access	Description
31-1	Reserved	N/A	N/A	Reserved Not used by the core
0	Global Interrupt enable	0x0	R/W	Master enable for the device interrupt output to the system 1: Enabled—the corresponding Interrupt Enable register (IER) bits are used to generate interrupts 0: Disabled—Interrupt generation blocked irrespective of IER bits Note: Writing to this bit has an immediate effect.

Interrupt Status Register (Offset - 0x024)

The Interrupt Status register (ISR) is described in [Table 2-12](#) and captures the error and status information for the core.

Table 2-12: Interrupt Status Register

Bits	Name	Reset Value	Access ⁽¹⁾	Description
31-16	Reserved	N/A	N/A	Reserved
15-14	Line Count status for VC3	0x0	R/W1C	0x0 - No Error 0x1 - Less number of lines received with respect to lines configured in register 0x4C 0x2 - More number of lines received with respect to lines configured in register 0x4C 0x3 - Reserved
13-12	Line Count Status for VC2	0x0	R/W1C	0x0 - No Error 0x1 - Less number of lines received with respect to lines configured in register 0x48 0x2 - More number of lines received with respect to lines configured in register 0x48 0x3 - Reserved
11-10	Line Count Status for VC1	0x0	R/W1C	0x0 - No Error 0x1 - Less number of lines received with respect to lines configured in register 0x44 0x2 - More number of lines received with respect to lines configured in register 0x44 0x3 - Reserved
9-8	Line Count Status for VC0	0x0	R/W1C	0x0 - No Error 0x1 - Less number of lines received with respect to lines configured in register 0x40 0x2 - More number of lines received with respect to lines configured in register 0x40 0x3 - Reserved
7-6	Reserved	N/A	N/A	Reserved
5	Incorrect Lane Configuration	0x0	R/W1C	Asserted when the Active Lanes is greater than the maximum lanes in the protocol configuration register
4	Generic Short Packet (GSP) FIFO Full	0x0	R/W1C	Asserted when the Generic Short Packet FIFO is full
3	ULPS state	0x0	R/W1C	0: Indicates that the D-PHY lanes have exited the ULPS state or are not in the ULPS state 1: Indicates that the D-PHY lanes are in the ULPS state
2	Line Buffer Full	0x0	R/W1C	Asserted when the Line Buffer is Full

Table 2-12: Interrupt Status Register (Cont'd)

Bits	Name	Reset Value	Access ⁽¹⁾	Description
1	Unsupported/Reserved Data Type	0x0	R/W1C	Asserted when the unsupported or the reserved data types are seen in the generic short packet request
0	Pixel Data Under-run	0x0	R/W1C	Asserted when the core starves for pixel data during the packet transmission

Notes:

1. W1C = Write 1 to clear.
2. The bit position from [15:8] is enabled only when the "C_EN_REG_BASED_FE_GEN" parameter is enabled, else the bit position will be reserved.

Interrupt Enable Register (Offset - 0x028)

The Interrupt Enable register (IER) is described in Table 2-13 and allows you to selectively generate an interrupt at the output port for each error/status bit in the ISR. An IER bit set to 0 does not inhibit an error/status condition from being captured, but inhibits it from generating an interrupt.

Table 2-13: Interrupt Enable Register

Bits	Name	Reset Value	Access	Description
31-15	Reserved	N/A	N/A	Reserved
14	Line Count Status VC3 Enable	0x0	R/W	Generate interrupt for line status on VC3
13	Reserved	N/A	N/A	Reserved
12	Line Count Status VC2 Enable	0x0	R/W	Generate interrupt for line status on VC2
11	Reserved	N/A	N/A	Reserved
10	Line Count Status VC1 Enable	0x0	R/W	Generate interrupt for line status on VC1
9	Reserved	N/A	N/A	Reserved
8	Line Count Status VC0 Enable	0x0	R/W	Generate interrupt for line status on VC0
7-6	Reserved	N/A	N/A	Reserved
5	Incorrect Lane Configuration Enable	0x0	R/W	Generate interrupt on incorrect lane configuration
4	Generic Short Packet (GSP) FIFO Full Enable	0x0	R/W	Generate interrupt on GSP FIFO full
3	ULPS State Enable	0x0	R/W	Generate interrupt on ULPS state
2	Line Buffer Full Enable	0x0	R/W	Generate interrupt when the line buffer is full

Table 2-13: Interrupt Enable Register (Cont'd)

Bits	Name	Reset Value	Access	Description
1	Unsupported/Reserved Data Type Enable	0x0	R/W	Generate interrupt on unsupported or reserved data type
0	Pixel Data Under-run Enable	0x0	R/W	Generate interrupt on the pixel data under-run condition

Notes:

- The bit positions 14, 12, 10, and 8 are enabled only when the "C_EN_REG_BASED_FE_GEN" parameter is enabled. If the parameter is not enabled, these bit positions are reserved.

Generic Short Packet Entry Register (Offset - 0x30)

The Generic Short Packet Entry register is described in [Table 2-14](#). Only generic short packets are supported (data types from 0x08 to 0x0F).

Table 2-14: Generic Short Packet Entry Register

Bits	Name	Reset Value	Access	Description
31–24	Reserved	N/A	N/A	Reserved
23–16	Byte-1	0x0	R/W	Byte 1 of the short packet
15–8	Byte-0	0x0	R/W	Byte 0 of the short packet
7–6	VC	0x0	R/W	VC value of the short packet
5–0	Data type	0x0	R/W	Short packet data type

Line Count Register for Virtual Channel - 0 (Offset: 0x40)

The Line Count Register for Virtual Channel - 0 is described in [Table 2-15](#). This register indicates the valid line count for VC0.

Table 2-15: Line Count Register for Virtual Channel - 0

Bits	Name	Reset Value	Access	Description
31-16	Reserved	N/A	N/A	Reserved
15-0	Line Count for VC-0	0x00	R/W	Number of lines in VC0 ⁽²⁾

Line Count Register for Virtual Channel - 1 (Offset: 0x44)

The Line Count Register for Virtual Channel - 1 is described in [Table 2-16](#). This register indicates the valid line count for VC1.

Table 2-16: Line Count Register for Virtual Channel - 1

Bits	Name	Reset Value	Access	Description
31-16	Reserved	N/A	N/A	Reserved
15-0	Line Count for VC-1	0x00	R/W	Number of lines in VC1 ⁽²⁾

Line Count Register for Virtual Channel - 2 (Offset: 0x48)

The Line Count Register for Virtual Channel - 2 is described in [Table 2-17](#). This register indicates the valid line count for VC2.

Table 2-17: Line Count Register for Virtual Channel - 2

Bits	Name	Reset Value	Access	Description
31-16	Reserved	N/A	N/A	Reserved
15-0	Line Count for VC-2	0x00	R/W	Number of lines in VC2 ⁽²⁾

Line Count Register for Virtual Channel - 3 (Offset: 0x4C)

The Line Count Register for Virtual Channel - 3 is described in [Table 2-18](#). This register indicates the valid line count for VC3.

Table 2-18: Line Count Register for Virtual Channel - 3

Bits	Name	Reset Value	Access	Description
31-6	Reserved	N/A	N/A	Reserved
15-0	Line Count for VC-3	0x00	R/W	Number of lines in VC3 ⁽²⁾

Notes:

1. Register space from 0x40 to 0x4C is enabled only when the "C_EN_REG_BASED_FE_GEN" parameter is enabled, else the register space will be reserved.
2. The value of Line Count Register for the respective Virtual Channel should include all lines. For example, on VC - 0 there are 10 lines of image data, 2 lines of embedded non image data, 1 null packet, 2 blanking packets then the register field should be set to 0x000F i.e., a total of 15 lines.

Generic Short Packet Status Register (Offset - 0x78)

The Generic Short Packet Status Register is described in [Table 2-19](#). This register indicates the number of generic short packets (GSP) that can be written safely.

Table 2-19: Generic Short Packet Status Register

Bits	Name	Reset Value	Access	Description
31-5	Reserved	N/A	N/A	Reserved
5-0	Generic Short Packet Vacancy	0x20	R	Number of generic short packets that can be safely written to the Generic Short Packet FIFO, before it goes full

MIPI D-PHY Registers

The MIPI D-PHY registers are available when **D-PHY Register Interface** is selected in Vivado IDE. For details about MIPI D-PHY registers, see the *MIPI D-PHY LogiCORE IP Product Guide* (PG202) [\[Ref 3\]](#).

Designing with the Subsystem

This chapter includes guidelines and additional information to facilitate designing with the subsystem.

General Design Guidelines

The subsystem fits into a image sensor pipe transmission path. The input to the subsystem must be connected to a AXI4-S stream source or Native stream source which generates the pixel data. The output of the subsystem is a MIPI complaint serial data. Because the MIPI protocol does not allow throttling on the output interface (PPI), the module connected to the output of this subsystem should have sufficient bandwidth for the data generated by the image sensor.

The Protocol Configuration Register [1:0] can be used to dynamically configure the active lanes used by the subsystem using the following guidelines:

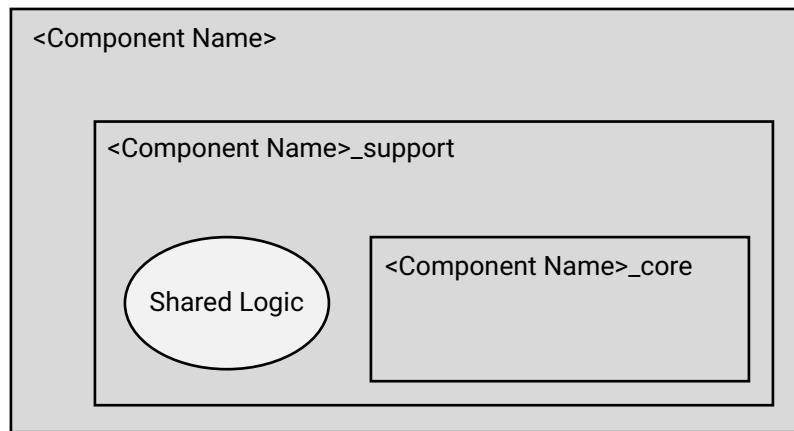
1. Program the required lanes in the Protocol Configuration register only when the following conditions are met:
 - a. "Enable Active Lanes" is set in the Vivado IDE
 - b. There is no ongoing transfer on the PPI and all the data lanes are in the stop-state
 2. Do not send the new updated lanes traffic until the read from Protocol Configuration registers reflects the new value.
-

Shared Logic

Shared Logic provides a flexible architecture that works both as a stand-alone subsystem and as part of a larger design with one of more subsystem instances. This minimizes the amount of HDL modifications required, but at the same time retains the flexibility of the subsystem.

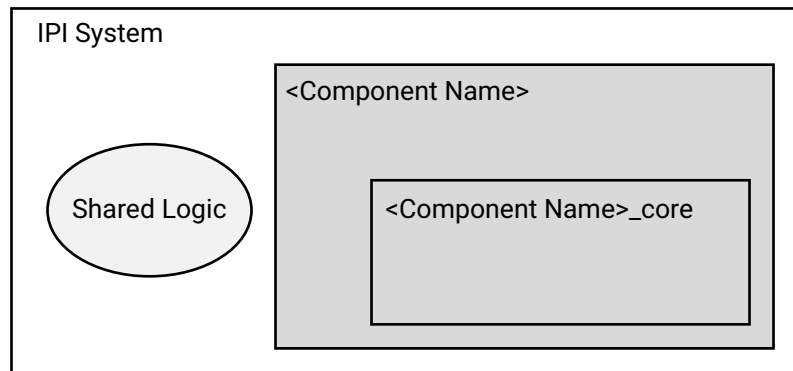
Shared logic in the CSI-2 TX Subsystem allows you to share MMCMs and PLLs with multiple instances of the CSI-2 TX Subsystem within the same I/O bank.

There is a level of hierarchy called <component_name>_support. Figure 3-1 and Figure 3-2 show two hierarchies where the shared logic is either contained in the subsystem or in the example design. In these figures, <component_name> is the name of the generated subsystem. The difference between the two hierarchies is the boundary of the subsystem. It is controlled using the Shared Logic option in the Vivado IDE Shared Logic tab for the MIPI CSI-2 TX Subsystem. The shared logic comprises an MMCM, a PLL and some BUFGs (maximum of 4).



X16320-030816

Figure 3-1: Shared Logic Included in the Subsystem



X16321-033116

Figure 3-2: Shared Logic Outside Subsystem

Shared Logic in the Core

Selecting **Shared Logic in the Core** implements the subsystem with the MMCM and PLL inside the subsystem to generate all the clocking requirement of the PHY layer.

Select **Include Shared Logic in Core** if:

- You do not require direct control over the MMCM and PLL generated clocks

- You want to manage multiple customizations of the subsystem for multi-subsystem designs
- This is the first MIPI CSI-2 TX Subsystem in a multi-subsystem system

These components are included in the subsystem, and their output ports are also provided as subsystem outputs.

Shared Logic in Example Design

The MMCMs and PLLs are outside this subsystem instance.

Select **Include Shared Logic in example design** if:

- This is the second MIPI CSI-2 TX Subsystem instance in a multi-subsystem design
- You only want to manage one customization of the MIPI CSI-2 TX Subsystem in your design
- You want direct access to the input clocks

To fully utilize the MMCM and PLL, customize one MIPI CSI-2 TX Subsystem with shared logic in the subsystem and one with shared logic in the example design. You can connect the MMCM/PLL outputs from the first MIPI CSI-2 TX Subsystem to the second subsystem.

If you want fine control you can select **Include Shared Logic in example design** and base your own logic on the shared logic produced in the example design.

[Figure 3-3](#) shows the sharable resource connections from the MIPI CSI-2 TX Subsystem with shared logic included (MIPI_CSI_SS_Master) to the instance of another MIPI CSI-2 TX Subsystem without shared logic (MIPI_CSI_SS_Slave00 and MIPI_CSI_SS_Slave01).

I/O Planning

The MIPI D-PHY core provides an I/O planner feature for I/O selection. You can select any I/O for the clock and data lanes in the TX core configuration for the selected HP I/O bank.

Eight D-PHY IP cores can be implemented per I/O bank due to BITSLICE and BITSLICE_CONTROL instances in the UltraScale+ devices.

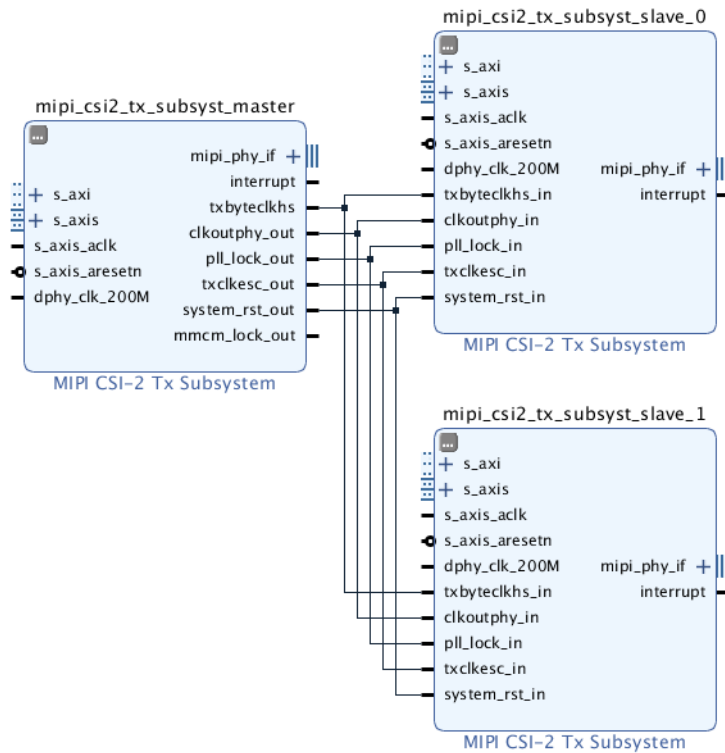


Figure 3-3: Shared Logic in the Example Design

Note: The master and slave cores can be configured with the different line rate when sharing clkoutphy within IO bank. There must be at least one core with master mode in a system whose clocks can be shared with slave mode cores.

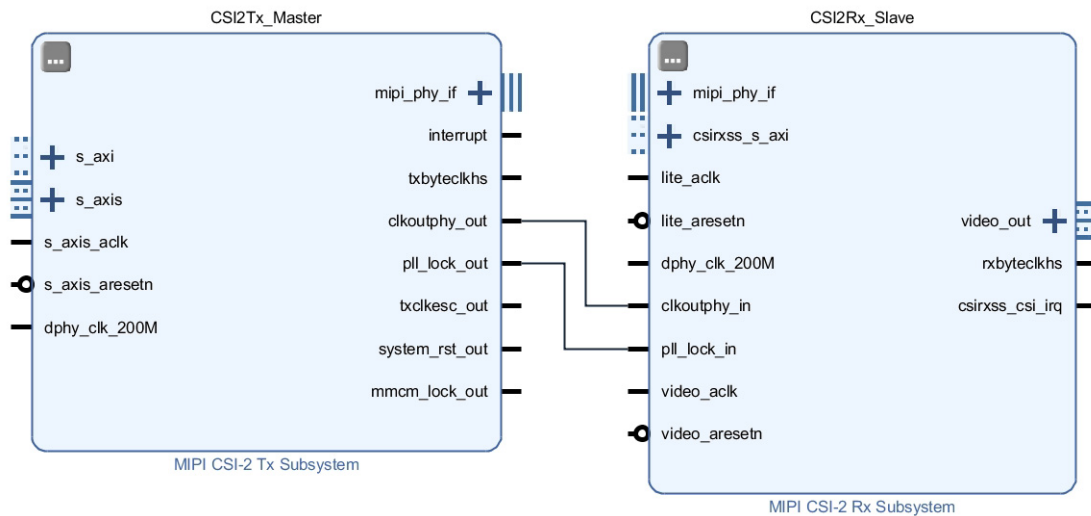


Figure 3-4: Clock Sharing in MIPI CSI-2 TX and MIPI CSI-2 RX Subsystems



IMPORTANT: MIPI CSI-2 TX Subsystem and MIPI CSI-2 RX Subsystem share clocking resources, in such scenario MIPI CSI-2 TX Subsystem need to be configured using Include Shared Logic in Core option under Shared Logic tab.



IMPORTANT: The master and slave can be configured with the different line rate when sharing `clkoutphy` within IO bank.

Clocking

The subsystem clocks are described in [Table 3-1](#).

Table 3-1: Subsystem Clocks

Clock Name	Description
txByteClkhs	Clock used to transfer signals on the PPI interface
s_axis_aclk	Clock used to perform all core operation blocks

The register interface also works on the `s_axis_aclk` core clock. Selection of `s_axis_aclk` is based on `TxByteClkhs`.

When the effective pixel width is less than or equal to (\leq) 32, the `s_axis_aclk` should be selected such that the input bandwidth should be equal to the output bandwidth. For example, $s_axis_aclk * Pixel_width * Pixel_Mode = TxByteClk * No_Lanes * 8$.

When the effective pixel is greater than ($>$) 32, the `s_axis_aclk` should be selected such that the input bandwidth is at least more than 2-3 times the output bandwidth. For example, $s_axis_aclk * Pixel_width * Pixel_Mode > TxByteClk * No_Lanes * 8$.

Where $s_axis_aclk * Pixel_width * Pixel_Mode$ is approximately equal to 2 or 3 times of $(TxByteClk * No_Lanes * 8)$.

Note: If the above relations are not met, the MIPI CSI-2 TX controller will report an under-run condition.

Table 3-2: Clocking Examples for Different Combinations

Data Type	Line Rate (Mb/s)	txByteclkhs(MHz)	Lanes	Pixel Mode	s_axis_aclk(MHz)
RAW8	1200	150	1	1	150
RAW10	900	112.5	2	2	90
RAW12	1000	125	3	4	125
RGB888	800	100	4	4	100
RAW14	500	62.5	2	2	36
RGB565	1000	125	1	2	32
YUV-422-8 Bit	1500	187.5	3	4	140.6

Note: For data type interleaving with native video interface, select data types with similar pixel widths to avoid under-run or line buffer full. For example, RAW8, RAW10.

Resets

The MIPI CSI-2 Transmitter Controller has one hard reset (`s_axis_aresetn`) and one register based reset (soft reset).

- `s_axis_aresetn`: All the core logic blocks reset to power-on conditions including registers.
- The soft reset resets the Interrupt Status register (ISR) of MIPI CSI-2 TX Controller and does not affect the core processing.

The subsystem has one external reset port:

- `s_axis_aresetn`: Active-Low reset for the subsystem blocks

The duration of `s_axis_aresetn` should be a minimum of 40 `dphy_clk_200M` cycles to propagate the reset throughout the system.

The reset sequence is shown in [Figure 3-5](#).

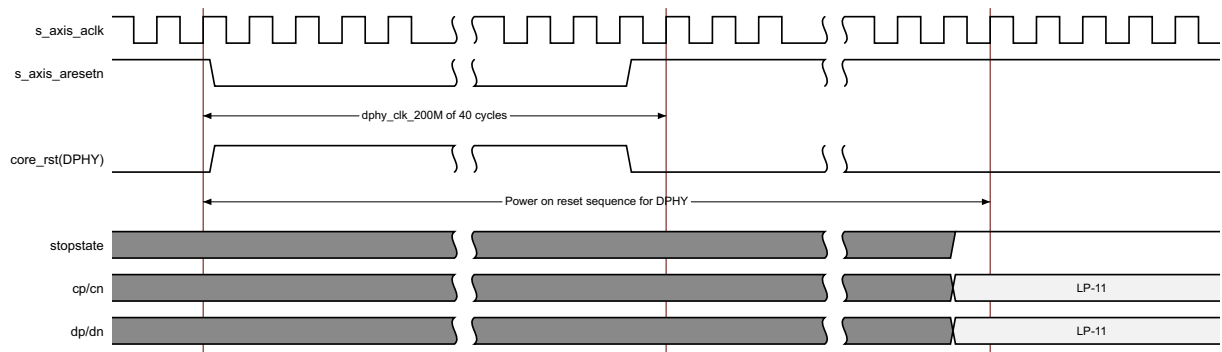


Figure 3-5: Reset Sequence

[Table 3-3](#) summarizes all resets available to the MIPI CSI-2 TX Subsystem and the components affected by them.

Table 3-3: Subsystem Components

Sub-core	<code>s_axis_aresetn</code>
MIPI CSI-2 TX Controller	Connected to <code>s_axi_aresetn</code> core port
MIPI DPHY	Inverted signal connected to <code>core_rst</code> port
AXI Crossbar	Connected to <code>aresetn</code> port

Note: The effect of each reset (`s_axis_aresetn`) is determined by the ports of the sub-cores to which they are connected. See the individual sub-core product guides for the effect of each reset signal.

Protocol Description

Programming Sequence

This section contains the programming sequence for the subsystem. Program and enable the components of subsystem in the following order:

1. MIPI CSI-2 TX Controller
2. MIPI D-PHY (if register interface is enabled)

Address Map Example

Table 3-4 shows an example based on a subsystem base address of 0x44A0_0000 (32 bits) when the MIPI D-PHY register interface is enabled.

Table 3-4: Address Map Example

Core	Base address
MIPI CSI-2 TX Controller	0x0000
MIPI D-PHY	0x1000

MIPI CSI-2 TX Controller Core Programming

The MIPI CSI-2 TX Controller programming sequence is as follows. Figure 3-7, Figure 3-7, and Figure 3-8 show a graphical representation of the sequence:

1. Configure the registers and enable the core
 - a. Read the [Core Configuration Register \(Offset - 0x00\)](#) to ensure that the `controller_ready` bit is set to 1, before enabling the core anytime (for example, after reset or after disabling the core).
 - b. Configure the required configuration through register programming.
 - c. Enable the core and send video stream on input interface.
 - d. All along this sequence, either continuously poll or wait for external interrupt (if enabled) and read interrupt status register for any errors or status reported.

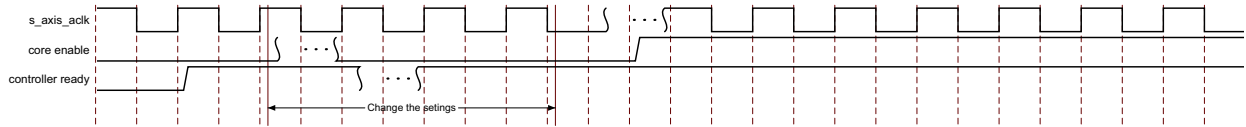


Figure 3-6: Core Programming Sequence - Enable the core

2. Disabling and re-enabling the core

- Disable the core using the [Core Configuration Register \(Offset - 0x00\)](#) (set the Core Enable bit to 0).
- Wait until the controller ready bit is set in the [Core Configuration Register \(Offset - 0x00\)](#).
- Re-enable the core (set the Core Enable bit to 1)

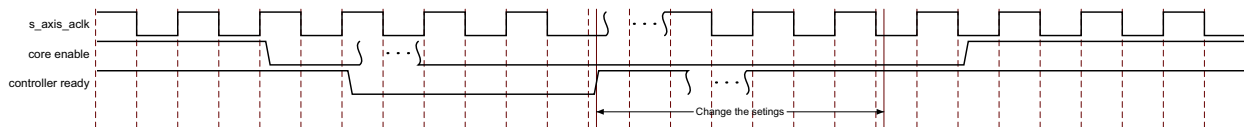


Figure 3-7: Core Programming Sequence - Disable and Re-enable the Core

3. ULPS Entry and ULPS Exit

- Drive the PHY Lanes to ULPS Mode, write 1 into the [Core Configuration Register \(Offset - 0x00\)](#) (set the ULPS Mode bit to 1).
- Corresponding PPI Signals are driven to the PHY (txrequestesc, txulpsesc) for the entry into the ULPS State.
- After the PHY Lanes have entered into the ULPS State (ulpsactivenot goes low) the Interrupt Status register is updated with the corresponding status.
- Exit the ULPS state, write 0 into the [Core Configuration Register \(Offset - 0x00\)](#) (set the ULPS Mode bit to 0).
- Corresponding PPI Signal is driven to the PHY (txulpsexit) for exiting from the ULPS State.
- PPI deasserts the txrequestesc after a millisecond of deassertion of the ulpsactivenot signal. The ULPS exit is indicated through the Interrupt Status register.

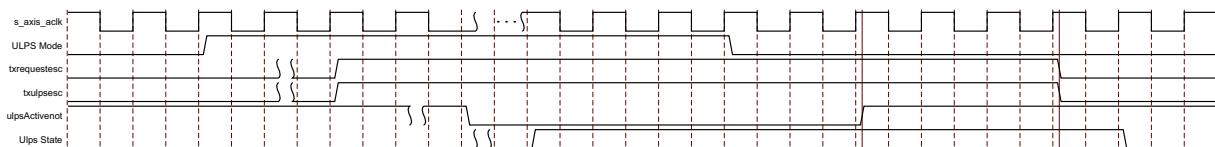


Figure 3-8: Core Programming Sequence - ULPS Entry and ULPS Exit

MIPI D-PHY IP Core Programming

See the *MIPI D-PHY LogiCORE IP Product Guide (PG202)* [\[Ref 3\]](#) for MIPI D-PHY IP core programming details.

Design Flow Steps

This chapter describes customizing and generating the subsystem, constraining the subsystem, and the simulation, synthesis and implementation steps that are specific to this subsystem. More detailed information about the standard Vivado[®] design flows and the IP integrator can be found in the following Vivado Design Suite user guides:

- *Vivado Design Suite User Guide: Designing IP Subsystems using IP Integrator* (UG994) [\[Ref 8\]](#)
- *Vivado Design Suite User Guide: Designing with IP* (UG896) [\[Ref 9\]](#)
- *Vivado Design Suite User Guide: Getting Started* (UG910) [\[Ref 10\]](#)
- *Vivado Design Suite User Guide: Logic Simulation* (UG900) [\[Ref 11\]](#)

Customizing and Generating the Subsystem

This section includes information about using Xilinx tools to customize and generate the subsystem in the Vivado Design Suite.

If you are customizing and generating the subsystem in the Vivado IP integrator, see the *Vivado Design Suite User Guide: Designing IP Subsystems using IP Integrator* (UG994) [\[Ref 8\]](#) for detailed information. IP integrator might auto-compute certain configuration values when validating or generating the design. To check whether the values do change, see the description of the parameter in this chapter. To view the parameter value, run the `validate_bd_design` command in the Tcl console.

You can customize the IP for use in your design by specifying values for the various parameters associated with the subsystem using the following steps:

1. Select the IP from the Vivado IP catalog.
2. Double-click the selected IP or select the **Customize IP** command from the toolbar or right-click menu.

For details, see the *Vivado Design Suite User Guide: Designing with IP* (UG896) [Ref 9] and the *Vivado Design Suite User Guide: Getting Started* (UG910) [Ref 10].

Note: Figures in this chapter are illustrations of the Vivado Integrated Design Environment (IDE). The layout depicted here might vary from the current version.

The subsystem configuration screen for line rate ≤ 1.5 Gbps is shown in [Figure 4-1](#).

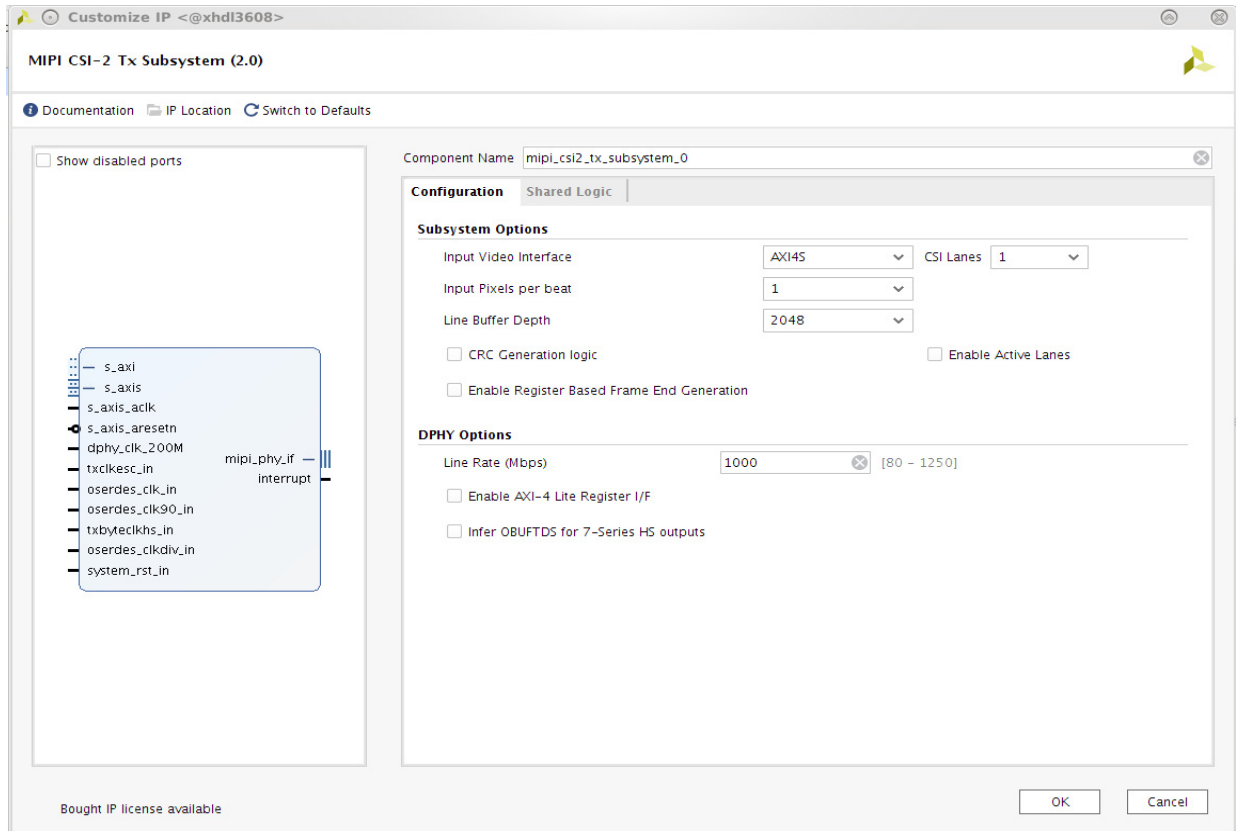


Figure 4-1: Subsystem Customization Screen-Configuration Tab Page

The subsystem configuration screen for line rate > 1.5 Gbps and ≤ 2.5 Gbps is shown in [Figure 4-2](#)

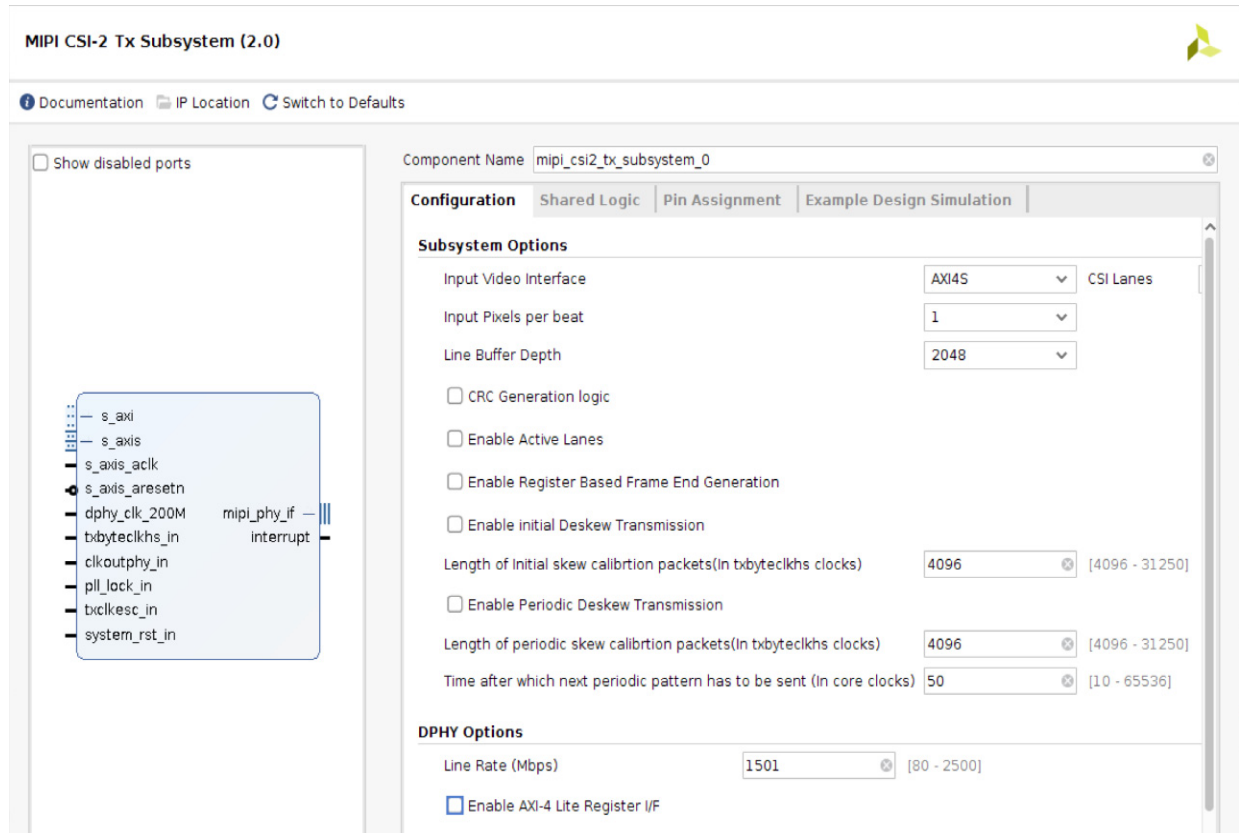


Figure 4-2: Subsystem_configuration_2

Component Name: The Component Name is used as the name of the top-level wrapper file for the subsystem. The underlying netlist still retains its original name. Names must begin with a letter and must be composed from the following characters: a through z, 0 through 9, and "_". The default is mipi_csi2_tx_subsystem_0.

Configuration Tab

The Configuration tab page provides core related configuration parameters.

Input Video Interface: Select the video interface used to accept pixel data. Values are AXI4S and Native.

Input Pixels per beat: Select the number of input pixels per clock on input interface. Values are 1 (single pixel), 2 (dual pixel), or 4 (quad pixel).

Line Buffer Depth: Select the depth of internal RAM based on the bandwidth requirement such that the line buffer does not overflow. Values are 128, 256, 512, 1024, 2048, 4096, 8192 or 16384.

Note: In native mode, the configured Line Buffer Depth value should be able to accommodate a minimum of 2-3 lines of image data. For example, if 1920x1080 is the image size, then the line buffer depth will be 1920x2, that is 4096 (as it is the nearest allowed value).

CSI Lanes: Select the maximum number of D-PHY lanes for this subsystem instance. Values are 1, 2, 3, or 4.

CRC Generation Logic: When set, CRC computation is performed and appended to the payload data.

Enable Active Lanes: When set, the core supports the dynamic configuration of the number of active lanes from the maximum number of lanes selected during core generation using the parameter **CSI Lanes**. For example, when **CSI Lanes** is set to 3, the number of active lanes can be programmed using the protocol configuration register to be 1, 2 or 3. The core reports an error when the active lanes setting is greater than the serial lanes setting through the interrupt status register, bit 5.

Line Rate (Mb/s): Selects the line rate for the MIPI D-PHY core. Maximum line rate of the UltraScale+ devices is 1500 Mb/s for the device speed grade of -2/-3 and 1260 Mb/s for the device speed grade of -1. For 7 Series FPGAs the maximum line rate is 1250 Mb/s, it might vary based on the max data rate supported by the device.

Enable AXI4-Lite Register I/F: Select to enable the register interface for the MIPI D-PHY core.

Infer OBUFTDS for 7 series HS outputs: Select this option to infer OBUFTDS for HS outputs.

Note: This option is available only for 7 Series D-PHY TX configuration. It is recommended to use this option for D-PHY compatible solution based on resistive circuit. For details, see *D-PHY Solutions* (XAPP894) [Ref 16].

Enable Register Based Frame End Generation: When set, the core generates the frame end based on the register configuration (register offset 0x40 to 0x4C). Otherwise, the core generates the frame end implicitly based on the next frame start.

Enable Initial Deskew Transmission : When set , the core generates initial skew calibration packet.

Length of Initial Skew calibration Packets(txbyteclkhs clocks) : Indicates the length of the Initial Skew calibration packet in number of Txbyteclkhs.

Enable Periodic Deskew Transmission : When set , the core generates periodic skew calibration packets.

Length of Periodic Skew calibration Packets(txbyteclkhs clocks) : Indicates the length of the periodic Skew calibration packet in number of Txbyteclkhs.

Time after which next periodic pattern has to be sent(In core clocks) : Indicates the frequency with which the periodic skew calibration packets will be sent, period between the two periodic packets should be given in number of core clocks.

Shared Logic Tab

The Shared Logic tab page provides shared logic inclusion parameters. The subsystem shared logic configuration screen is shown in [Figure 4-3](#).

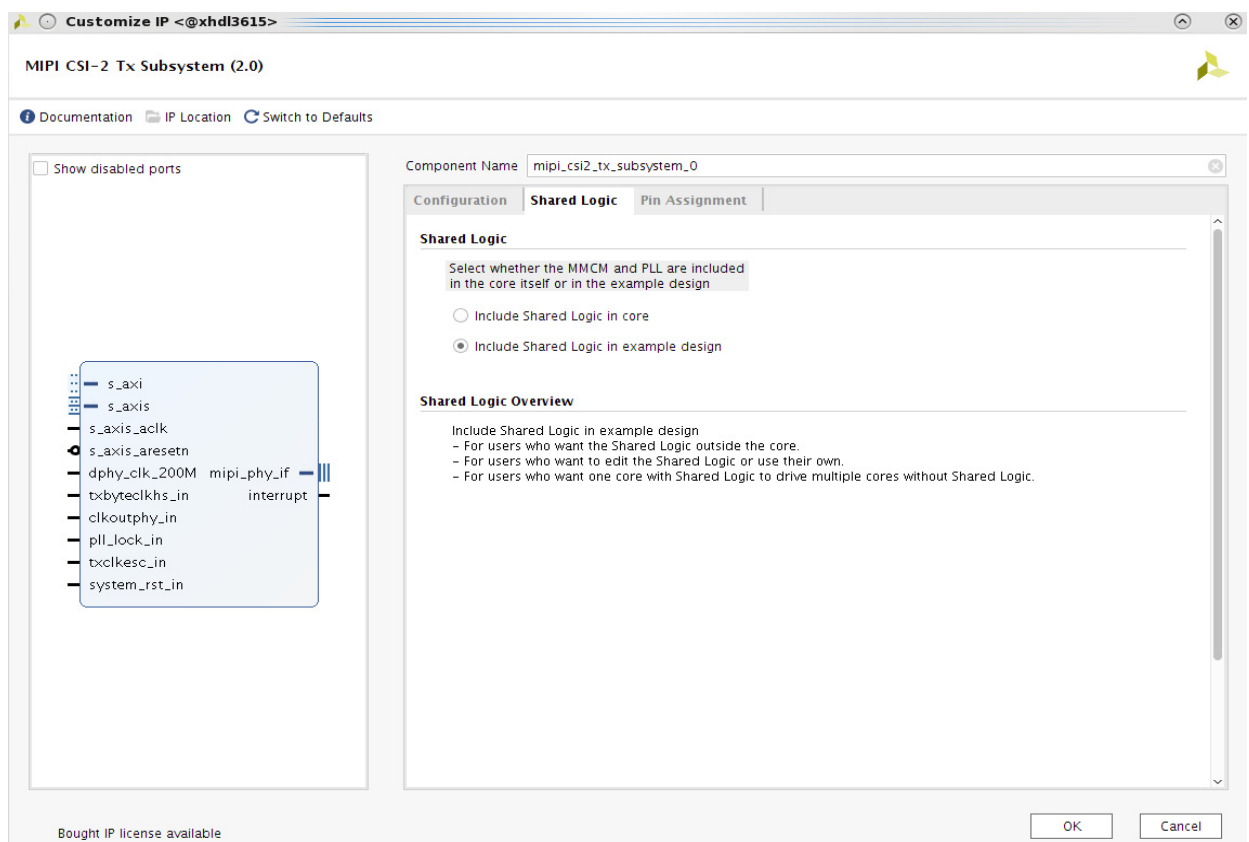


Figure 4-3: Subsystem Customization Screen-Shared Logic Tab Page

Shared Logic: Select whether the MMCM and PLL are included in the core or in the example design. Values are:

- Include Shared Logic in core
- Include Shared Logic in example design

Pin Assignment Tab

The Pin Assignment tab page allows to select pins. The subsystem pin assignment configuration screen is shown in Figure 4-4.

Note: This tab is not available for 7 Series device configurations.

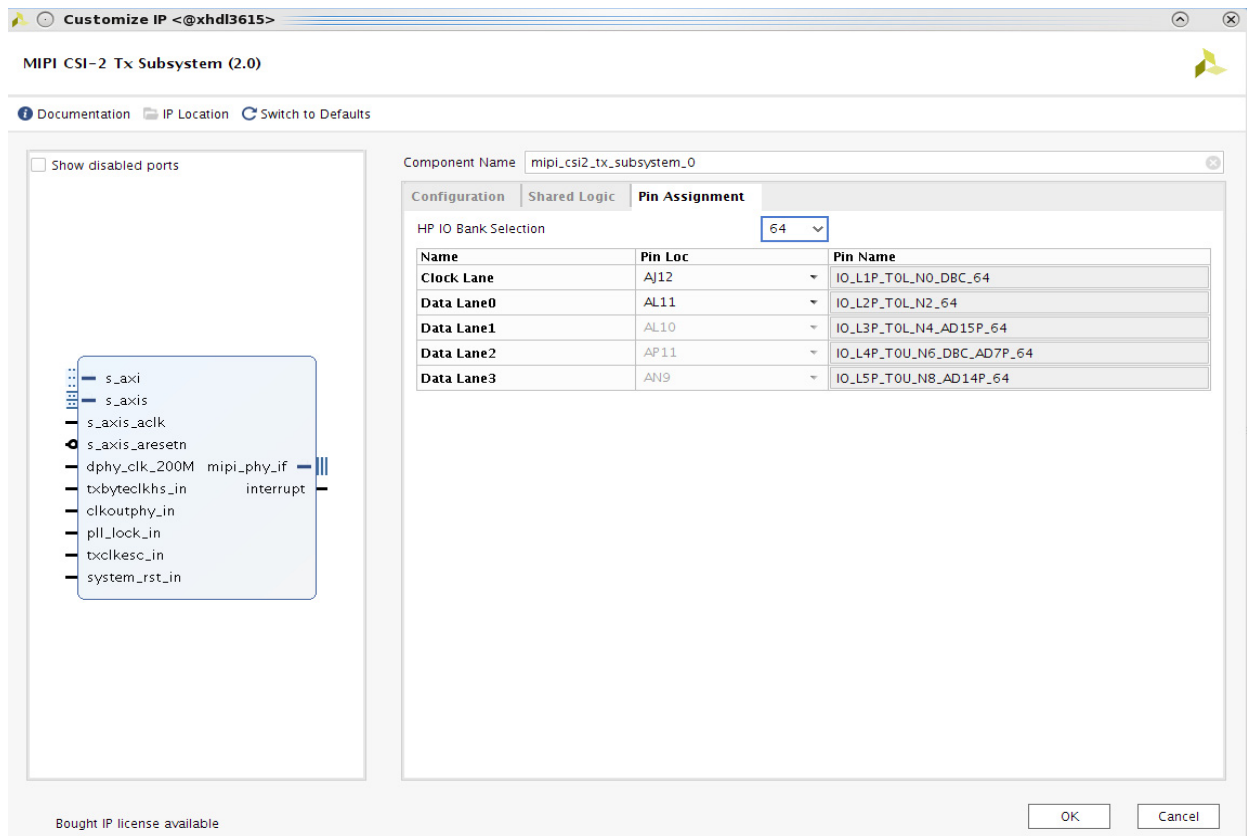


Figure 4-4: Subsystem Customization Screen-Pin Assignment Tab Page

HP IO Bank Selection: Select the HP I/O bank for clock lane and data lane implementation.

Clock Lane: Select the LOC for clock lane. This selection determines the I/O byte group within the selected HP I/O bank.

Data Lane 0/1/2/3: Displays the Data lanes 0,1,2, and 3 LOC based on the clock lane selection.

User Parameters

Table 4-1 shows the relationship between the fields in the Vivado IDE and the User Parameters (which can be viewed in the Tcl Console).

Table 4-1: Vivado IDE Parameter to User Parameter Relationship

Vivado IDE Parameter	User Parameter	Default Value
CSI Lanes	C_CSI_LANES	4
Enable Active Lanes	C_CSI_EN_ACTIVELANES	0
Input Pixels per beat	C_CSI_PIXEL_MODE	1
Line Buffer Depth	C_CSI_LINE_BUFR_DEPTH	2048
CRC Generation Logic	C_CSI_CRC_ENABLE	1
Input Video Interface	C_CSI_VID_INTERFACE	AXI4_Stream
Line Rate (Mb/s)	C_HS_LINE_RATE	1000
Enable AXI-4 Lite Register I/F	C_DPHY_EN_REGIF	0
Enable Register Based Frame End Generation	C_EN_REG_BASED_FE_GEN	0
Shared Logic	SupportLevel	0
Infer OBUFTDS for 7 series HS outputs	C_EN_HS_OBUFTDS	0
HP IO Bank Selection	HP_IO_BANK_SELECTION	Value based on part selected.
Clock Lane	CLK_LANE_IO_LOC	Value based on part selected
Data Lane0	DATA_LANE0_IO_LOC	Value based on part selected
Data Lane1	DATA_LANE1_IO_LOC	Value based on part selected
Data Lane2	DATA_LANE2_IO_LOC	Value based on part selected
Data Lane 3	DATA_LANE3_IO_LOC	Value based on part selected
Enable Initial Deskew Transmission	C_CSI_XMIT_INITIAL_DESKEW	0
Length of Initial Skew calibration Packets(txbyteclkhs clocks)	C_CSI_INIT_DESKEW_PATRN_LEN	4096
Enable Periodic Deskew Transmission	C_CSI_XMIT_PERIODIC_DESKEW	0
Length of Periodic Skew calibration Packets(txbyteclkhs clocks)	C_CSI_PERIODIC_PATRN_LEN	4096
Time after which next periodic pattern has to be sent(In core clocks)	C_CSI_PERIODIC_TIME	50

Output Generation

For details, see the *Vivado Design Suite User Guide: Designing with IP* (UG896) [Ref 9].

Constraining the Subsystem

This section contains information about constraining the subsystem in the Vivado Design Suite.

Required Constraints

This section is not applicable for this subsystem.

Device, Package, and Speed Grade Selections

This section is not applicable for this subsystem.

Clock Frequencies

See [Clocking](#).

Clock Management

The MIPI CSI-2 TX Subsystem sub-core MIPI D-PHY uses an MMCM to generate the general interconnect clocks, and the PLL is used to generate the serial clock and parallel clocks for the PHY. The input to the MMCM is constrained as shown in Clock Frequencies section of *MIPI D-PHY LogiCORE IP Product Guide* (PG202) [Ref 3]. No additional constraints are required for the clock management.

Clock Placement

This section is not applicable for this subsystem.

Banking

The MIPI CSI-2 TX Subsystem provides the Pin Assignment Tab option to select the HP I/O bank. Clock lane and data lane(s) are implemented on the selected I/O bank BITSlice(s).

Transceiver Placement

This section is not applicable for this subsystem.

I/O Standard and Placement

The MIPI standard serial I/O ports should use MIPI_DPHY_DCI for the I/O standard in the XDC file for UltraScale+ family. The LOC and I/O standards must be specified in the XDC file for all input and output ports of the design. The MIPI CSI-2 TX Subsystem MIPI D-PHY

sub-core generates the I/O pin LOC for the pins that are selected during IP customization for UltraScale+ designs. No I/O pin LOC are provided for 7 Series MIPI D-PHY IP designs. You have to manually select the clock capable I/O for 7 series TX clock lane and restrict the I/O selection within the I/O bank for MIPI D-PHY TX.

It is recommended to select the I/O bank with VRP pin connected for UltraScale+ MIPI D-PHY TX IP core. If VRP pin is present in other I/O bank in the same I/O column of the device the following DCI_CASCADE XDC constraint should be used. For example, I/O bank 65 has a VPR pin and the D-PHY TX IP is using the I/O bank 66.

```
set_property DCI_CASCADE {66} [get_iobanks 65]
```

Simulation

Simulation supported example design is available for CSI2 TX Subsystem. For comprehensive information about Vivado simulation components, as well as information about using supported third-party tools, see the *Vivado Design Suite User Guide: Logic Simulation* (UG900) [Ref 11].

Synthesis and Implementation

For details about synthesis and implementation, see the *Vivado Design Suite User Guide: Designing with IP* (UG896) [Ref 9].

Example Design

This chapter contains information about the example design provided in the Vivado[®] Design Suite.

Overview

The top module instantiates all components of the core and example design that are needed for the design as shown in Figure 5-1. This includes the MIPI CSI-2 TX Subsystem, MIPI CSI-2 RX Subsystem, V-TPG and ATG IP modules.

The example design can be generated for the two following configurations of MIPI CSI-2 Tx and MIPI CSI-2 Rx Subsystem:

1. Single Lane, RGB888 data type, Single Pixel Mode.
2. 4 Lanes, YUV422 8-bit data type, Quad Pixel Mode.

The example design can be used to perform a quick simulation of MIPI CSI-2 Tx/Rx Subsystems and to understand the interface behavior.

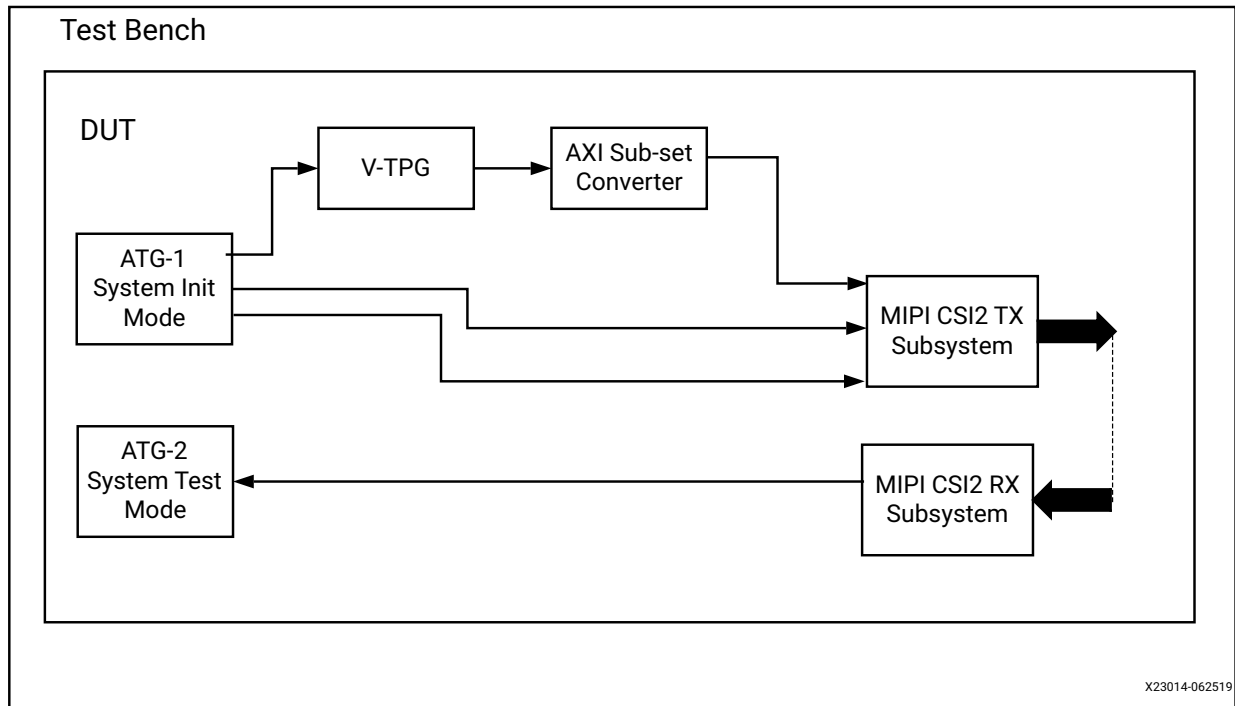


Figure 5-1: MIPI CSI2 TX Subsystem Example Design

Note: The example design can be generated for the above-mentioned configurations only. The base IP GUI configuration is not considered to configure the MIPI CSI-2 Tx Subsystems used in the example design.

Simulating the Example Design

For more information about simulation, see the *Vivado Design Suite User Guide: Logic Simulation* (UG900) [Ref 11].

Steps to perform the Example Design Simulation:

1. Right-click on the MIPI CSI-2 TX Subsystem IP in Vivado and select open example design.
2. Once the design is open, launch the simulation by selecting Flow-> Run Simulation -> Run Behavioral Simulation.
3. To check test result, run the complete simulation by using run -all in tcl console.

If the test passes, the following message is displayed:

INFO: Test Completed Successfully

If the test fails, the following message is displayed:

ERROR: Test Failed

If the test hangs, the following message is displayed:

ERROR: Test Failed!! Test Timed out

Note: Test can hang when there is no data reception by MIPI CSI-2 RX Subsystem. For example, Test hanged due to removal of the CSI-2 TX/RX loopback connection.

Test Bench

This chapter contains information about the test bench provided in the Vivado® Design Suite. The MIPI CSI-2 TX Subsystem delivers a demonstration test bench for the example design.

The test bench consists of the following modules:

- Device Under Test (DUT)
- Clock and reset generator
- Status monitor

The example design demonstration test bench is a simple Verilog module to exercise the example design and the core itself. It simulates an instance of the MIPI CSI-2 TX Subsystem that is externally looped back to the MIPI CSI-2 RX Subsystem. The MIPI CSI-2 TX Example Design test bench generates all the required clocks and resets.

ATG -1: The ATG-1 in init mode drives the VTPG to generate the required set of traffic based on configuration selected in XGUI

V-TPG: Receives input from ATG-1 and sends out the required traffic pattern to the Sub-set Converter

AXI Sub-set Converter: Performs the necessary pixel encoding followed by the MIPI CSI-2 TX controller and sends the traffic to MIPI CSI2 TX Subsystem.

MIPI CSI-2 TX Subsystem: Packs the incoming pixel data to CSI-2 packets and sends it over DPHY interface for transmission.

MIPI CSI-2 RX Subsystem: Receives the stream through MIPI CSI-2 TX/RX loopback and produces AXI4 video stream.

ATG-2: The ATG-2 in System Test Mode is used to check the Interrupt Status Register (ISR), data type and packet count register of CSI-2 RX Subsystem to determine Pass/Fail Results. If it fails to detect the expected information, it produces an error message.

Verification, Compliance, and Interoperability

The MIPI CSI-2 TX Subsystem has been verified using both simulation and hardware testing. A highly parameterizable transaction-based simulation test suite has been used to verify the subsystem. The tests include:

- Different lane combinations and line rates
- High-Speed Data transmission with short/long packets, different virtual channels and different data types.
- All possible interleaving cases (data type and virtual channel)
- All possible output pixel, data type combinations.
- Register read and write access

Hardware Validation

The MIPI CSI-2 TX Subsystem is tested in hardware for functionality, performance, and reliability using Xilinx® evaluation platforms. The MIPI CSI-2 TX Subsystem verification test suites for all possible modules are continuously being updated to increase test coverage across the range of possible parameters for each individual module.

A series of MIPI CSI-2 TX Subsystem test scenarios are validated using the Xilinx development boards listed in [Table A-1](#). These boards permit the prototyping of system designs where the MIPI CSI-2 TX Subsystem processes the incoming image data into different short/long packets.

Table A-1: Xilinx Development Board

Target Family	Evaluation Board	Characterization Board
Zynq® UltraScale+™ MPSoC	ZCU102	N/A

7 Series devices do not have a native MIPI IOB support. You will have to target the HP bank I/O for MIPI IP implementation. For more information on MIPI IOB compliant solution and guidance, refer *D-PHY Solutions* (XAPP894) [\[Ref 16\]](#).

Debugging

This appendix includes details about resources available on the Xilinx Support website and debugging tools.

TIP: *If the IP generation halts with an error, there might be a license issue. See [License Checkers in Chapter 1](#) for more details.*

Finding Help on Xilinx.com

To help in the design and debug process when using the MIPI CSI-2 Transmitter Subsystem, the [Xilinx Support web page](#) contains key resources such as product documentation, release notes, answer records, information about known issues, and links for obtaining further product support.

Documentation

This product guide is the main document associated with the MIPI CSI-2 Transmitter Subsystem. This guide, along with documentation related to all products that aid in the design process, can be found on the [Xilinx Support web page](#) or by using the Xilinx Documentation Navigator.

Download the Xilinx Documentation Navigator from the [Downloads page](#). For more information about this tool and the features available, open the online help after installation.

Answer Records

Answer Records include information about commonly encountered problems, helpful information on how to resolve these problems, and any known issues with a Xilinx product. Answer Records are created and maintained daily ensuring that users have access to the most accurate information available.

Answer Records for this subsystem can be located by using the Search Support box on the main [Xilinx support web page](#). To maximize your search results, use proper keywords such as:

- Product name
- Tool message(s)
- Summary of the issue encountered

A filter search is available after results are returned to further target the results.

For the MIPI CSI-2 Transmitter Subsystem Master Answer Record Xilinx Answer [67896](#)

Technical Support

Xilinx provides technical support at the [Xilinx Support web page](#) for this IP product when used as described in the product documentation. Xilinx cannot guarantee timing, functionality, or support if you do any of the following:

- Implement the solution in devices that are not defined in the documentation.
- Customize the solution beyond that allowed in the product documentation.
- Change any section of the design labeled DO NOT MODIFY.

Xilinx provides premier technical support for customers encountering issues that require additional assistance.

To contact Xilinx Technical Support, navigate to the [Xilinx Support web page](#).

Debug Tools

There are many tools available to address MIPI CSI-2 Transmitter Subsystem design issues. It is important to know which tools are useful for debugging various situations.

Vivado Design Suite Debug Feature

The Vivado® Design Suite debug feature inserts logic analyzer and virtual I/O cores directly into your design. The debug feature also allows you to set trigger conditions to capture application and integrated block port signals in hardware. Captured signals can then be analyzed. This feature in the Vivado IDE is used for logic debugging and validation of a design running in Xilinx devices.

The Vivado logic analyzer is used with the logic debug IP cores, including:

- ILA 2.0 (and later versions)

- VIO 2.0 (and later versions)

See the *Vivado Design Suite User Guide: Programming and Debugging* (UG908) [Ref 13].

Hardware Debug

Hardware issues can range from link bring-up to problems seen after hours of testing. This section provides debug steps for common issues. The Vivado debug feature is a valuable resource to use in hardware debug. The signal names mentioned in the following individual sections can be probed using the debug feature for debugging the specific problems.

General Checks

- Ensure MIPI DPHY and MIPI CSI-2 TX Controller cores are in the enable state by reading the registers.
- Ensure Incorrect Lane Configuration is not set in the MIPI CSI-2 TX Controller Interrupt status register.
- Ensure line buffer full condition is not set in the MIPI CSI-2 TX Controller Interrupt Status register.

Note: In case of line buffer full/under run conditions, check the input and output bandwidth ratios, see [Clocking](#) for details.

- Ensure Pixel Data Under-run is not set in the MIPI CSI-2 TX Controller Interrupt Status register.
- Ensure GSP FIFO Full is not set in the MIPI CSI-2 TX Controller Interrupt Status register.

Note: In case you encounter any errors, disable and re-enable the core to clear any stale data stored in the buffers.

Interface Debug

AXI4-Lite Interfaces

Read from a register that does not have all 0s as a default to verify that the interface is functional. See [Figure B-1](#) for a read timing diagram. Output `s_axi_arready` asserts when the read address is valid, and output `s_axi_rvalid` asserts when the read data/response is valid. If the interface is unresponsive, ensure that the following conditions are met:

- The `lite_aclk` inputs are connected and toggling.
- The interface is not being held in reset, and `lite_aresetn` is an active-Low reset.

- The main subsystem clocks are toggling and that the enables are also asserted.
- If the simulation has been run, verify in simulation and/or a debug feature capture that the waveform is correct for accessing the AXI4-Lite interface.

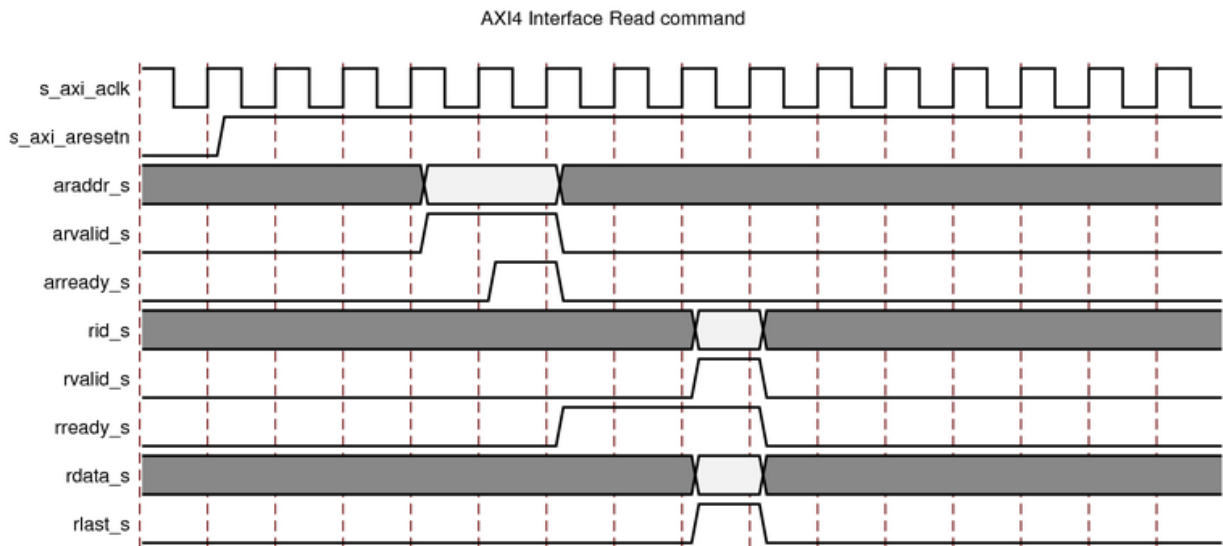


Figure B-1: AXI4-Lite Timing

AXI4-Stream Interfaces

If data is not being transmitted or received, check the following conditions:

- If transmit `<interface_name>_tready` is stuck Low following the `<interface_name>_tvalid` input being asserted, the subsystem cannot send data.
- If the receive `<interface_name>_tvalid` is stuck Low, the subsystem is not receiving data.
- Check that the `s_axis_aclk` and `dphy_clk_200M` inputs are connected and toggling.
- Check subsystem configuration.
- Ensure "line buffer full" condition not getting reported in subsystem Interrupt Status register.

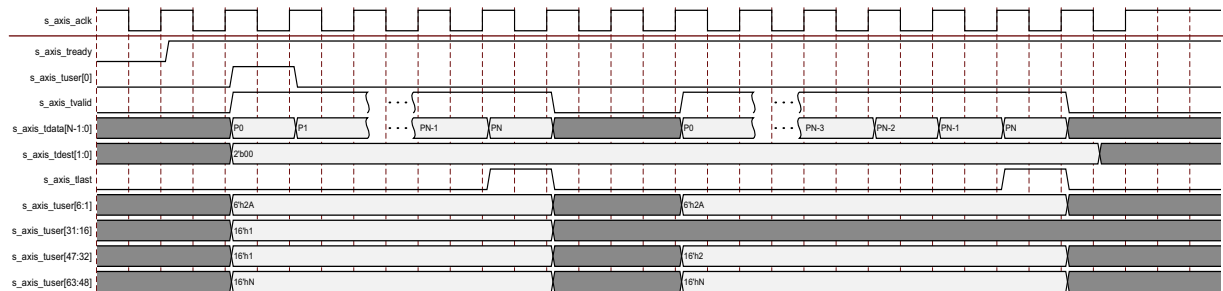


Figure B-2: AXI4-Stream Timing

Native Interfaces

If data is not being transmitted or received, check the following conditions:

- If the receive <interface_name>_vid_enable is stuck Low, the subsystem is not receiving data.
- Check that the s_axis_aclk and dphy_clk_200M inputs are connected and toggling.
- Check subsystem configuration.
- Ensure "line buffer full" condition not getting reported in subsystem Interrupt Status register.

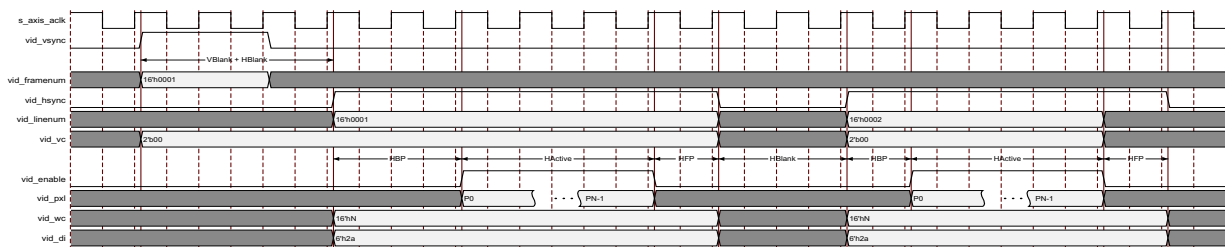


Figure B-3: Native Interface Timing

Where,

- VBlank = Vertical Blanking (Minimum duration of one clock cycle)
- HBlank = Horizontal Blanking (Minimum duration should be greater than the time required to complete the ongoing packet on the phy lines)
- HBP = Horizontal Back Porch (Minimum duration of one clock cycle)
- HActive = Active Pixel Data (Minimum duration of one clock cycle)
- HFP = Horizontal Front Porch (Minimum duration of one clock cycle)

Note: Once the vid_enable is asserted, it should be held high for the complete Active Pixel Data.

Note: Maximum values for the above mentioned parameters can be as per user requirement.

Additional Resources and Legal Notices

Xilinx Resources

For support resources such as Answers, Documentation, Downloads, and Forums, see [Xilinx Support](#).

Documentation Navigator and Design Hubs

Xilinx® Documentation Navigator provides access to Xilinx documents, videos, and support resources, which you can filter and search to find information. To open the Xilinx Documentation Navigator (DocNav):

- From the Vivado® IDE, select **Help > Documentation and Tutorials**.
- On Windows, select **Start > All Programs > Xilinx Design Tools > DocNav**.
- At the Linux command prompt, enter `docnav`.

Xilinx Design Hubs provide links to documentation organized by design tasks and other topics, which you can use to learn key concepts and address frequently asked questions. To access the Design Hubs:

- In the Xilinx Documentation Navigator, click the **Design Hubs View** tab.
- On the Xilinx website, see the [Design Hubs](#) page.

Note: For more information on Documentation Navigator, see the [Documentation Navigator](#) page on the Xilinx website.

References

These documents provide supplemental material useful with this product guide:

1. MIPI Alliance Standard for Camera Serial Interface CSI-2: mipi.org/specifications/camera-interface#CSI2

2. *AXI4-Stream Video IP and System Design Guide* ([UG934](#))
3. *MIPI D-PHY LogiCORE IP Product Guide* ([PG202](#))
4. *AXI Interconnect LogiCORE IP Product Guide* ([PG059](#))
5. *AXI IIC Bus Interface v2.0 LogiCORE IP Product Guide* ([PG090](#))
6. MIPI Alliance Physical Layer Specifications, D-PHY Specification: <http://mipi.org/specifications/physical-layer#D-PHY Specification>
7. *Vivado Design Suite: AXI Reference Guide* ([UG1037](#))
8. *Vivado Design Suite User Guide: Designing IP Subsystems using IP Integrator* ([UG994](#))
9. *Vivado Design Suite User Guide: Designing with IP* ([UG896](#))
10. *Vivado Design Suite User Guide: Getting Started* ([UG910](#))
11. *Vivado Design Suite User Guide: Logic Simulation* ([UG900](#))
12. *ISE to Vivado Design Suite Migration Guide* ([UG911](#))
13. *Vivado Design Suite User Guide: Programming and Debugging* ([UG908](#))
14. *Vivado Design Suite User Guide: Implementation* ([UG904](#))
15. *Vivado Design Suite User Guide: Logic Simulation* ([UG900](#))
16. *D-PHY Solutions* ([XAPP894](#))

Revision History

The following table shows the revision history for this document.

Date	Version	Revision
07/02/2019	2.0	Added 2.5 Gb/s support to the subsystem
12/05/2018	2.0	<ul style="list-style-type: none"> Updated Figures 3-3 and 3-4. Updated Figure B-3 in Appendix B. Updated the bandwidth requirement for effective pixel width ≤ 32. Updated s_axis_aclk values in Table 3-2.
04/04/2018	2.0	<ul style="list-style-type: none"> Enhancement support for FE generation based on register configuration. Updated the existing title 'MIPI CSI-2 Transmit Subsystem v2.0' to 'MIPI CSI-2 Transmitter Subsystem v2.0'.
10/04/2017	2.0	<ul style="list-style-type: none"> MIPI D-PHY serial pins are grouped as an interface Integrated DPHY initialization completion to assert Controller Ready.
06/07/2017	1.0	Enhancement support for non-continuous clock mode
04/05/2017	1.0	<ul style="list-style-type: none"> MIPI D-PHY 3.1 changes integrated Enhancement support for a case where the word count is greater than the payload received.
10/05/2016	1.0	Initial Xilinx release

Please Read: Important Legal Notices

The information disclosed to you hereunder (the "Materials") is provided solely for the selection and use of Xilinx products. To the maximum extent permitted by applicable law: (1) Materials are made available "AS IS" and with all faults, Xilinx hereby DISCLAIMS ALL WARRANTIES AND CONDITIONS, EXPRESS, IMPLIED, OR STATUTORY, INCLUDING BUT NOT LIMITED TO WARRANTIES OF MERCHANTABILITY, NON-INFRINGEMENT, OR FITNESS FOR ANY PARTICULAR PURPOSE; and (2) Xilinx shall not be liable (whether in contract or tort, including negligence, or under any other theory of liability) for any loss or damage of any kind or nature related to, arising under, or in connection with, the Materials (including your use of the Materials), including for any direct, indirect, special, incidental, or consequential loss or damage (including loss of data, profits, goodwill, or any type of loss or damage suffered as a result of any action brought by a third party) even if such damage or loss was reasonably foreseeable or Xilinx had been advised of the possibility of the same. Xilinx assumes no obligation to correct any errors contained in the Materials or to notify you of updates to the Materials or to product specifications. You may not reproduce, modify, distribute, or publicly display the Materials without prior written consent. Certain products are subject to the terms and conditions of Xilinx's limited warranty, please refer to Xilinx's Terms of Sale which can be viewed at <https://www.xilinx.com/legal.htm#tos>; IP cores may be subject to warranty and support terms contained in a license issued to you by Xilinx. Xilinx products are not designed or intended to be fail-safe or for use in any application requiring fail-safe performance; you assume sole risk and liability for use of Xilinx products in such critical applications, please refer to Xilinx's Terms of Sale which can be viewed at <https://www.xilinx.com/legal.htm#tos>.

AUTOMOTIVE APPLICATIONS DISCLAIMER

AUTOMOTIVE PRODUCTS (IDENTIFIED AS "XA" IN THE PART NUMBER) ARE NOT WARRANTED FOR USE IN THE DEPLOYMENT OF AIRBAGS OR FOR USE IN APPLICATIONS THAT AFFECT CONTROL OF A VEHICLE ("SAFETY APPLICATION") UNLESS THERE IS A SAFETY CONCEPT OR REDUNDANCY FEATURE CONSISTENT WITH THE ISO 26262 AUTOMOTIVE SAFETY STANDARD ("SAFETY DESIGN"). CUSTOMER SHALL, PRIOR TO USING OR DISTRIBUTING ANY SYSTEMS THAT INCORPORATE PRODUCTS, THOROUGHLY TEST SUCH SYSTEMS FOR SAFETY PURPOSES. USE OF PRODUCTS IN A SAFETY APPLICATION WITHOUT A SAFETY DESIGN IS FULLY AT THE RISK OF CUSTOMER, SUBJECT ONLY TO APPLICABLE LAWS AND REGULATIONS GOVERNING LIMITATIONS ON PRODUCT LIABILITY.

© Copyright 2016-2019 Xilinx, Inc. Xilinx, the Xilinx logo, Artix, ISE, Kintex, Spartan, Virtex, Vivado, Zynq, and other designated brands included herein are trademarks of Xilinx in the United States and other countries. All other trademarks are the property of their respective owners.