

## Summary

The Xilinx® Zynq® UltraScale+™ RFSocS are available in -2 and -1 speed grades, with -2E or -2I devices having the highest performance. The -2LE, -2LI, and -1LI devices are screened for lower maximum static power. The XCZU21DR, XCZU25DR, XCZU27DR, XCZU28DR, and XCZU29DR devices in the -2LE and -1LI speed grades and the XQZU21DR, XQZU28DR, and XQZU29DR devices in the -1LI speed grade can operate at  $V_{CCINT} = 0.85V$  or  $0.72V$ . When -2LE or -1LI devices support and are operated at  $V_{CCINT} = 0.85V$ , the speed specification for the L devices is the same as the -2I or -1I speed grades. When operated at  $V_{CCINT} = 0.72V$ , the -2LE, -2LI, and -1LI performance and static and dynamic power are reduced. The XCZU39DR device in the -2LI speed grade and the XCZU42DR, XCZU43DR, XCZU46DR, XCZU47DR, XCZU48DR, XCZU49DR, XCZU65DR, XCZU67DR, XQZU48DR, XQZU49DR, XQZU65DR, and XQZU67DR devices in the -2LI and -1LI speed grades only operate at  $V_{CCINT} = 0.72V$ .

DC and AC characteristics are specified in extended (E), industrial (I), and military (M) temperature ranges. Except the operating temperature range or unless otherwise noted, all the DC and AC electrical parameters are the same for a particular speed grade (that is, the timing characteristics of a -1 speed grade extended device are the same as for a -1 speed grade industrial device). However, only selected speed grades and/or devices are available in each temperature range.

The XQ references in this data sheet are specific to the devices available in XQ Ruggedized packages. See the *Defense-Grade UltraScale Architecture Data Sheet: Overview (DS895)* for further information on XQ Defense-grade part numbers, packages, and ordering information.

All supply voltage and junction temperature specifications are representative of worst-case conditions. The parameters included are common to popular designs and typical applications.

This data sheet, part of an overall set of documentation on the Zynq UltraScale+ RFSocS, is available on the Xilinx website at [www.xilinx.com/documentation](http://www.xilinx.com/documentation).

# DC Characteristics

## Absolute Maximum Ratings

Table 1: Absolute Maximum Ratings

Symbol	Description <sup>1</sup>	Min	Max	Units
<b>Processor System (PS)</b>				
V <sub>CC_PSINTFP</sub>	PS primary logic full-power domain supply voltage	-0.500	1.000	V
V <sub>CC_PSINTLP</sub>	PS primary logic low-power domain supply voltage	-0.500	1.000	V
V <sub>CC_PSAUX</sub>	PS auxiliary supply voltage	-0.500	2.000	V
V <sub>CC_PSINTFP_DDR</sub>	PS DDR controller and PHY supply voltage	-0.500	1.000	V
V <sub>CC_PSADC</sub>	PS SYSMON ADC supply voltage relative to GND_PSADC	-0.500	2.000	V
V <sub>CC_PSPLL</sub>	PS PLL supply voltage	-0.500	1.320	V
V <sub>PS_MGTRAVCC</sub>	PS-GTR supply voltage	-0.500	1.000	V
V <sub>PS_MGTRAVTT</sub>	PS-GTR termination voltage	-0.500	2.000	V
V <sub>PS_MGTREFCLK</sub>	PS-GTR reference clock input voltage	-0.500	1.100	V
V <sub>PS_MGTRIN</sub>	PS-GTR receiver input voltage	-0.500	1.100	V
V <sub>CCO_PSDDR</sub>	PS DDR I/O supply voltage	-0.500	1.650	V
V <sub>CC_PSDDR_PLL</sub>	PS DDR PLL supply voltage	-0.500	2.000	V
V <sub>CCO_PSIO</sub>	PS I/O supply	-0.500	3.630	V
V <sub>PSIN</sub> <sup>2</sup>	PS I/O input voltage	-0.500	V <sub>CCO_PSIO</sub> + 0.550	V
	PS DDR I/O input voltage	-0.500	V <sub>CCO_PSDDR</sub> + 0.550	V
V <sub>CC_PSBATT</sub>	PS battery-backed RAM and battery-backed real-time clock (RTC) supply voltage	-0.500	2.000	V
<b>Programmable Logic (PL)</b>				
V <sub>CCINT</sub>	Internal supply voltage	-0.500	1.000	V
V <sub>CCINT_IO</sub> <sup>3</sup>	Internal supply voltage for the I/O banks	-0.500	1.000	V
V <sub>CCAUX</sub>	Auxiliary supply voltage	-0.500	2.000	V
V <sub>CCBRAM</sub>	Supply voltage for the block RAM memories	-0.500	1.000	V
V <sub>CCO</sub>	Output drivers supply voltage for HD I/O banks	-0.500	3.400	V
	Output drivers supply voltage for HP I/O banks	-0.500	2.000	V
V <sub>CCAUX_IO</sub> <sup>4</sup>	Auxiliary supply voltage for the I/O banks	-0.500	2.000	V
V <sub>REF</sub>	Input reference voltage	-0.500	2.000	V
V <sub>IN</sub> <sup>2, 5, 6</sup>	I/O input voltage for HD I/O banks	-0.550	V <sub>CCO</sub> + 0.550	V
	I/O input voltage for HP I/O banks	-0.550	V <sub>CCO</sub> + 0.550	V
I <sub>DC</sub>	Available output current at the pad	-20	20	mA
I <sub>RMS</sub>	Available RMS output current at the pad	-20	20	mA
<b>GTY Transceiver<sup>7</sup></b>				
V <sub>MGTAVCC</sub>	Analog supply voltage for transceiver circuits	-0.500	1.000	V
V <sub>MGTAVTT</sub>	Analog supply voltage for transceiver termination circuits	-0.500	1.300	V
V <sub>MGTVCCAUX</sub>	Auxiliary analog Quad PLL (QPLL) voltage supply for transceivers	-0.500	1.900	V
V <sub>MGTREFCLK</sub>	Transceiver reference clock absolute input voltage	-0.500	1.300	V
V <sub>MGTAVTTRCAL</sub>	Analog supply voltage for the resistor calibration circuit of the transceiver column	-0.500	1.300	V

Table 1: Absolute Maximum Ratings (cont'd)

Symbol	Description <sup>1</sup>	Min	Max	Units
V <sub>IN</sub>	Receiver (RXP/RXN) and transmitter (TXP/TXN) absolute input voltage	-0.500	1.200	V
I <sub>DCIN-FLOAT</sub>	DC input current for receiver input pins DC coupled RX termination = floating <sup>8</sup>	-	10	mA
I <sub>DCIN-MGTAVTT</sub>	DC input current for receiver input pins DC coupled RX termination = V <sub>MGTAVTT</sub>	-	10	mA
I <sub>DCIN-GND</sub>	DC input current for receiver input pins DC coupled RX termination = GND <sup>9</sup>	-	0	mA
I <sub>DCIN-PROG</sub>	DC input current for receiver input pins DC coupled RX termination = programmable <sup>10</sup>	-	0	mA
I <sub>DCOUT-FLOAT</sub>	DC output current for transmitter pins DC coupled RX termination = floating	-	6	mA
I <sub>DCOUT-MGTAVTT</sub>	DC output current for transmitter pins DC coupled RX termination = V <sub>MGTAVTT</sub>	-	6	mA
<b>RF-ADC, RF-DAC, and SD-FEC</b>				
V <sub>ADC_AVCC</sub>	ADC and PLL supply voltage for ZU2xDR, ZU39DR, ZU4xDR	-0.500	1.000	V
V <sub>ADC_AVCC</sub>	ADC and PLL supply voltage for ZU65DR, ZU67DR	-0.500	1.110	V
V <sub>ADC_AVCCAUX</sub>	Input buffer and PLL supply voltage	-0.500	2.000	V
V <sub>DAC_AVCC</sub>	DAC and PLL supply voltage	-0.500	1.000	V
V <sub>DAC_AVCCAUX</sub>	Output buffer and PLL supply voltage	-0.500	2.000	V
V <sub>DAC_AVTT</sub>	DAC on-die 50Ω termination supply voltage	-0.500	3.200	V
V <sub>CCINT_AMS</sub>	Digital down converter supply voltage	-0.500	1.000	V
V <sub>CCSDFEC</sub>	SD-FEC supply voltage	-0.500	1.000	V
V <sub>RFDC_CLK_IN</sub>	ADC_CLK, DAC_CLK, and SYSREF input voltage	-0.500	2.000	V
V <sub>ADC_VIN</sub> <sup>11</sup>	ADC_VIN input voltage for ZU2xDR and ZU39DR devices	-0.300	2.100	V
	ADC_VIN input voltage for ZU4xDR and ZU6xDR devices	-0.500	2.100	V
<b>PL System Monitor</b>				
V <sub>CCADC</sub>	PL System Monitor supply relative to GNDADC	-0.500	2.000	V
V <sub>REFP</sub>	PL System Monitor reference input relative to GNDADC	-0.500	2.000	V
<b>Temperature<sup>12</sup></b>				
T <sub>STG</sub>	Storage temperature (ambient)	-65	150	°C
T <sub>SOL</sub>	Maximum dry rework soldering temperature	-	260	°C
	Maximum reflow soldering temperature for FFVD1156, FFVE1156, FSVE1156, FFVG1517, FSVG1517, FFVF1760, FSVF1760, FFVH1760, and FSVH1760 packages	-	245	°C
	Maximum reflow soldering temperature for FFRD1156, FFRE1156, FFRG1517, and FFRF1760 packages	-	225	°C

Table 1: Absolute Maximum Ratings (cont'd)

Symbol	Description <sup>1</sup>	Min	Max	Units
T <sub>j</sub>	Maximum junction temperature	-	125	°C

**Notes:**

- Stresses beyond those listed under Absolute Maximum Ratings might cause permanent damage to the device. These are stress ratings only, and functional operation of the device at these or any other conditions beyond those listed under Operating Conditions is not implied. Exposure to Absolute Maximum Ratings conditions for extended periods of time might affect device reliability.
- When operating outside of the recommended operating conditions, refer to [Table 6](#), [Table 7](#), and [Table 8](#) for maximum overshoot and undershoot specifications.
- V<sub>CCINT\_IO</sub> must be connected to V<sub>CCBRAM</sub>.
- V<sub>CCAUX\_IO</sub> must be connected to V<sub>CCAUX</sub>.
- The lower absolute voltage specification always applies.
- For I/O operation, see the *UltraScale Architecture SelectIO Resources User Guide (UG571)*.
- For more information on supported GTY transceiver terminations see the *UltraScale Architecture GTY Transceivers User Guide (UG578)*.
- AC coupled operation is not supported for RX termination = floating.
- For GTY transceivers, DC coupled operation is not supported for RX termination = GND.
- DC coupled operation is not supported for RX termination = programmable.
- The ADC maximum inputs are only valid when both ADC supplies are present. Do not apply input signals unless the ADC supplies are present.
- For soldering guidelines and thermal considerations, see the *Zynq UltraScale+ Device Packaging and Pinouts Product Specification User Guide (UG1075)*.

## Recommended Operating Conditions

Table 2: Recommended Operating Conditions

Symbol	Description <sup>1,2</sup>	Min	Typ	Max	Units
<b>Processor System</b>					
V <sub>CC_PSINTFP</sub> <sup>3</sup>	PS full-power domain supply voltage	0.808	0.850	0.892	V
	For -1LI, -2LI, and -2LE (V <sub>CCINT</sub> = 0.72V) devices: PS full-power domain supply voltage	0.808	0.850	0.892	V
V <sub>CC_PSINTLP</sub>	PS low-power domain supply voltage	0.808	0.850	0.892	V
	For -1LI, -2LI, and -2LE (V <sub>CCINT</sub> = 0.72V) devices: PS low-power domain supply voltage	0.808	0.850	0.892	V
V <sub>CC_PSAUX</sub>	PS auxiliary supply voltage	1.710	1.800	1.890	V
V <sub>CC_PSINTFP_DDR</sub> <sup>3</sup>	PS DDR controller and PHY supply voltage	0.808	0.850	0.892	V
	For -1LI, -2LI, and -2LE (V <sub>CCINT</sub> = 0.72V) devices: PS DDR controller and PHY supply voltage	0.808	0.850	0.892	V
V <sub>CC_PSADC</sub>	PS SYSMON ADC supply voltage relative to GND_PSADC	1.710	1.800	1.890	V
V <sub>CC_PSPLL</sub>	PS PLL supply voltage	1.164	1.200	1.236	V
V <sub>PS_MGTRAVCC</sub> <sup>4</sup>	PS-GTR supply voltage	0.825	0.850	0.875	V
V <sub>PS_MGTRAVTT</sub> <sup>4</sup>	PS-GTR termination voltage	1.746	1.800	1.854	V
V <sub>CCO_PSDDR</sub> <sup>5</sup>	PS DDR I/O supply voltage	1.06	-	1.575	V
V <sub>CC_PSDDR_PLL</sub>	PS DDR PLL supply voltage	1.710	1.800	1.890	V
V <sub>CCO_PSIO</sub> <sup>6</sup>	PS I/O supply	1.710	-	3.465	V
V <sub>PSIN</sub>	PS I/O input voltage	-0.200	-	V <sub>CCO_PSIO</sub> + 0.200	V
	PS DDR I/O input voltage	-0.200	-	V <sub>CCO_PSDDR</sub> + 0.200	V
V <sub>CC_PSBATT</sub> <sup>7</sup>	PS battery-backed RAM and battery-backed real-time clock (RTC) supply voltage	1.200	-	1.500	V

Table 2: Recommended Operating Conditions (cont'd)

Symbol	Description <sup>1,2</sup>	Min	Typ	Max	Units
<b>Programmable Logic</b>					
V <sub>CCINT</sub>	PL internal supply voltage	0.825	0.850	0.876	V
	For -1LI, -2LI, and -2LE (V <sub>CCINT</sub> = 0.72V) devices: PL internal supply voltage	0.698	0.720	0.742	V
V <sub>CCINT_IO</sub> <sup>8</sup>	PL internal supply voltage for the I/O banks	0.825	0.850	0.876	V
	For -1LI, -2LI, and -2LE (V <sub>CCINT</sub> = 0.72V) devices: PL internal supply voltage for the I/O banks	0.825	0.850	0.876	V
V <sub>CCBRAM</sub>	Block RAM supply voltage	0.825	0.850	0.876	V
V <sub>CCAUX</sub>	Auxiliary supply voltage	1.746	1.800	1.854	V
V <sub>CCO</sub> <sup>9</sup>	Supply voltage for HD I/O banks	1.140	-	3.400	V
	Supply voltage for HP I/O banks	0.950	-	1.900	V
V <sub>CCAUX_IO</sub> <sup>10</sup>	Auxiliary I/O supply voltage	1.746	1.800	1.854	V
V <sub>IN</sub> <sup>11</sup>	I/O input voltage	-0.200	-	V <sub>CCO</sub> + 0.200	V
I <sub>IN</sub> <sup>12</sup>	Maximum current through any PL or PS pin in a powered or unpowered bank when forward biasing the clamp diode	-	-	10	mA
<b>GTY Transceiver</b>					
V <sub>MGTAVCC</sub> <sup>13</sup>	Analog supply voltage for the GTY transceiver	0.873	0.900	0.927	V
V <sub>MGTAVTT</sub> <sup>13</sup>	Analog supply voltage for the GTY transmitter and receiver termination circuits	1.164	1.200	1.236	V
V <sub>MGTVCCAUX</sub> <sup>13</sup>	Auxiliary analog QPLL voltage supply for the transceivers	1.746	1.800	1.854	V
V <sub>MGTAVTRCAL</sub> <sup>13</sup>	Analog supply voltage for the resistor calibration circuit of the GTY transceiver column	1.164	1.200	1.236	V
<b>RF-ADC, RF-DAC, and SD-FEC</b>					
V <sub>ADC_AVCC</sub>	ADC and PLL supply voltage for ZU2xDR, ZU39DR, ZU4xDR	0.897	0.925	0.953	V
V <sub>ADC_AVCC</sub>	ADC and PLL supply voltage for ZU65DR, ZU67DR	0.980	1.010	1.040	V
V <sub>ADC_AVCCAUX</sub>	Input buffer and PLL supply voltage	1.746	1.800	1.854	V
V <sub>DAC_AVCC</sub>	DAC and PLL supply voltage	0.897	0.925	0.953	V
V <sub>DAC_AVCCAUX</sub>	Output buffer and PLL supply voltage	1.746	1.800	1.854	V
V <sub>DAC_AVTT</sub> <sup>14</sup>	Termination voltage, on-die 50Ω termination resistors: 20 mA	2.425	2.500	2.575	V
	Termination voltage, on-die 50Ω termination resistors: 32 mA	2.910	3.000	3.090	V
	Termination voltage, on-die 50Ω termination resistors variable output power (VOP) disabled <sup>15</sup>	2.425	2.500	2.575	V
	Termination voltage, on-die 50Ω termination resistors VOP enabled <sup>15</sup>	2.910	3.000	3.090	V
V <sub>CCINT_AMS</sub> <sup>16</sup>	Digital down converter supply voltage	0.825	0.850	0.876	V
V <sub>CCSDFEC</sub> <sup>17</sup>	SD-FEC supply voltage	0.825	0.850	0.876	V
<b>PL System Monitor</b>					
V <sub>CCADC</sub>	PL System Monitor supply relative to GNDADC	1.746	1.800	1.854	V
V <sub>REFP</sub>	PL System Monitor externally supplied reference voltage relative to GNDADC	1.200	1.250	1.300	V

**Table 2: Recommended Operating Conditions (cont'd)**

Symbol	Description <sup>1, 2</sup>	Min	Typ	Max	Units
<b>Temperature</b>					
T <sub>j</sub> <sup>18</sup>	Junction temperature operating range for extended (E) temperature devices <sup>19</sup>	0	-	100	°C
	Junction temperature operating range for industrial (I) temperature devices <sup>20</sup>	-40	-	100	°C
	Junction temperature operating range for military (M) temperature devices	-55	-	125	°C
	Junction temperature operating range for eFUSE programming	-40	-	125	°C

**Notes:**

- All voltages are relative to GND, assuming supplies are present.
- For the design of the power distribution system consult the *UltraScale Architecture PCB Design User Guide (UG583)*.
- V<sub>CC\_PSINTFP\_DDR</sub> must be tied to V<sub>CC\_PSINTFP</sub>.
- Each voltage listed requires filtering as described in the *UltraScale Architecture PCB Design User Guide (UG583)*.
- Includes V<sub>CCO\_PSDDDR</sub> of 1.2V, 1.35V, 1.5V at ±5% and 1.1V +0.07V/-0.04V depending upon the tolerances required by specific memory standards.
- Applies to all PS I/O supply banks. Includes V<sub>CCO\_PSIIO</sub> of 1.8V, 2.5V, and 3.3V at ±5%.
- Up to 1.89V is acceptable on V<sub>CC\_PSBATT</sub>. If the battery-backed RAM or RTC is not used, connect V<sub>CC\_PSBATT</sub> to GND or V<sub>CC\_PSAUX</sub>.
- V<sub>CCINT\_IO</sub> must be connected to V<sub>CCBRAM</sub>.
- Includes V<sub>CCO</sub> of 1.0V (HP I/O only), 1.2V, 1.35V, 1.5V, 1.8V, 2.5V (HD I/O only) at ±5%, and 3.3V (HD I/O only) at +3/-5%.
- V<sub>CCAUX\_IO</sub> must be connected to V<sub>CCAUX</sub>.
- The lower absolute voltage specification always applies.
- A total of 200 mA per bank should not be exceeded.
- Each voltage listed requires filtering as described in the *UltraScale Architecture GTY Transceivers User Guide (UG578)*.
- RF-DAC output current swing must be set to 32 mA for 3V termination when using ZU2xDR or ZU39DR devices.
- When using the VOP feature and DC coupling mode, VOP range is reduced. See *RF-DAC Electrical Characteristics* for supported output power range.
- Xilinx recommends connecting V<sub>CCINT\_AMS</sub> to V<sub>CCBRAM</sub>.
- V<sub>CCSDFEC</sub> must be connected to V<sub>CCBRAM</sub>.
- Xilinx recommends measuring the T<sub>j</sub> of a device using the system monitor as described in the *UltraScale Architecture System Monitor User Guide (UG580)*. The SYSMON temperature measurement errors (that are described in [Table 69](#) and [Table 149](#)) must be accounted for in your design. For example, when using the PL system monitor with an external reference of 1.25V, and when SYSMON reports 97°C, there is a measurement error ±3°C. A reading of 97°C is considered the maximum adjusted T<sub>j</sub> (100°C - 3°C = 97°C).
- Devices labeled with the speed/temperature grade of -2LE can operate for a limited time at a junction temperature between 100°C and 110°C. Timing parameters adhere to the same speed file at 110°C as they do below 110°C, regardless of operating voltage (nominal voltage of 0.85V or a low-voltage of 0.72V). Operation up to T<sub>j</sub> = 110°C is limited to 1% of the device lifetime and can occur sequentially or at regular intervals as long as the total time does not exceed 1% of the device lifetime.
- Devices labeled with the speed/temperature grade of -2LI can operate for a limited time at a junction temperature between 100°C and 110°C. Timing parameters adhere to the same speed file at 110°C as they do below 110°C. Operation up to T<sub>j</sub> = 110°C is limited to 5% of the device lifetime and can occur sequentially or at regular intervals as long as the total time does not exceed 5% of the device lifetime.

## Available Speed Grades and Operating Voltages

[Table 3](#) describes the speed grades and the V<sub>CCINT</sub> operating supply voltages for the full-power, low-power, and DDR domains. For more information on selecting devices and for available speed grades per device, see the *UltraScale Architecture and Product Data Sheet: Overview (DS890)* or the *Defense-Grade UltraScale Architecture Data Sheet: Overview (DS895)*.

Table 3: Available Speed Grades and Operating Voltages

Speed Grade <sup>1</sup>	V <sub>CCINT</sub>	V <sub>CC_PSINTLP</sub>	V <sub>CC_PSINTFP</sub>	V <sub>CC_PSINTFP_DDR</sub>	Units
-2E	0.85	0.85	0.85	0.85	V
-2I	0.85	0.85	0.85	0.85	V
-2LE	0.85	0.85	0.85	0.85	V
-1E	0.85	0.85	0.85	0.85	V
-1I	0.85	0.85	0.85	0.85	V
-1M	0.85	0.85	0.85	0.85	V
-1LI	0.85	0.85	0.85	0.85	V
-2LE	0.72	0.85	0.85	0.85	V
-2LI	0.72	0.85	0.85	0.85	V
-1LI	0.72	0.85	0.85	0.85	V

**Notes:**

1. Refer to [Speed Grade Designations](#) for speed grade, temperature ranges, and V<sub>CCINT</sub> operating voltages for specific devices.

## DC Characteristics Over Recommended Operating Conditions

Table 4: DC Characteristics Over Recommended Operating Conditions

Symbol	Description	Min	Typ <sup>1</sup>	Max	Units
V <sub>DRINT</sub>	Data retention V <sub>CCINT</sub> voltage (below which configuration data might be lost)	0.68	-	-	V
V <sub>DRAUX</sub>	Data retention V <sub>CCAUX</sub> voltage (below which configuration data might be lost)	1.5	-	-	V
I <sub>REF</sub>	V <sub>REF</sub> leakage current per pin	-	-	15	μA
I <sub>L</sub>	Input or output leakage current per pin (HD I/O and HP I/O <sup>2</sup> ) (sample-tested)	-	-	15	μA
	Input or output leakage current per pin (PS DDR I/O) (sample-tested)	-	-	113	μA
C <sub>IN</sub> <sup>3</sup>	Die input capacitance at the pad (HP I/O)	-	-	3.1	pF
	Die input capacitance at the pad (HD I/O)	-	-	4.75	pF
I <sub>RPV</sub>	Pad pull-up (when selected) at V <sub>IN</sub> = 0V, V <sub>CCO</sub> = 3.3V	75	-	190	μA
	Pad pull-up (when selected) at V <sub>IN</sub> = 0V, V <sub>CCO</sub> = 2.5V	50	-	169	μA
	Pad pull-up (when selected) at V <sub>IN</sub> = 0V, V <sub>CCO</sub> = 1.8V	60	-	120	μA
	Pad pull-up (when selected) at V <sub>IN</sub> = 0V, V <sub>CCO</sub> = 1.5V	30	-	120	μA
	Pad pull-up (when selected) at V <sub>IN</sub> = 0V, V <sub>CCO</sub> = 1.2V	10	-	100	μA
I <sub>RPD</sub>	Pad pull-down (when selected) at V <sub>IN</sub> = 3.3V	60	-	200	μA
	Pad pull-down (when selected) at V <sub>IN</sub> = 1.8V	29	-	120	μA
I <sub>CCADCONPL</sub>	Analog supply current for the PL SYSMON circuits in the power-up state	-	-	8	mA
I <sub>CCADCONPS</sub>	Analog supply current for the PS SYSMON circuits in the power-up state	-	-	10	mA
I <sub>CCADCOFFPL</sub>	Analog supply current for the PL SYSMON circuits in the power-down state	-	-	1.5	mA
I <sub>CCADCOFFPS</sub>	Analog supply current for the PS SYSMON circuits in the power-down state	-	-	1.8	mA

Table 4: DC Characteristics Over Recommended Operating Conditions (cont'd)

Symbol	Description	Min	Typ <sup>1</sup>	Max	Units
I <sub>CC_PSBATT</sub> <sup>4,5</sup>	Battery supply current at V <sub>CC_PSBATT</sub> = 1.50V, RTC enabled	-	-	3650	nA
	Battery supply current at V <sub>CC_PSBATT</sub> = 1.50V, RTC disabled	-	-	650	nA
	Battery supply current at V <sub>CC_PSBATT</sub> = 1.20V, RTC enabled	-	-	3150	nA
	Battery supply current at V <sub>CC_PSBATT</sub> = 1.20V, RTC disabled	-	-	150	nA
I <sub>PSFS</sub> <sup>6</sup>	PS V <sub>CC_PSAUX</sub> additional supply current during eFUSE programming	-	-	115	mA
ADC_R <sub>EXT</sub>	ADC external resistor reference	-1%	2490	+1%	Ω
DAC_R <sub>EXT</sub>	DAC external resistor reference	-1%	2490	+1%	Ω
Internal V <sub>REF</sub>	50% V <sub>CCO</sub>	V <sub>CCO</sub> × 0.49	V <sub>CCO</sub> × 0.50	V <sub>CCO</sub> × 0.51	V
	70% V <sub>CCO</sub>	V <sub>CCO</sub> × 0.69	V <sub>CCO</sub> × 0.70	V <sub>CCO</sub> × 0.71	V
Differential termination	Programmable differential termination (TERM_100) for HP I/O banks	-35%	100	+35%	Ω
n	Temperature diode ideality factor	-	1.026	-	-
r	Temperature diode series resistance	-	2	-	Ω
<b>Calibrated programmable on-die termination (DCI) in HP I/O banks<sup>7</sup> (measured per JEDEC specification)</b>					
R <sup>9</sup>	Thevenin equivalent resistance of programmable input termination to V <sub>CCO</sub> /2 where ODT = RTT_40	-10% <sup>8</sup>	40	+10% <sup>8</sup>	Ω
	Thevenin equivalent resistance of programmable input termination to V <sub>CCO</sub> /2 where ODT = RTT_48	-10% <sup>8</sup>	48	+10% <sup>8</sup>	Ω
	Thevenin equivalent resistance of programmable input termination to V <sub>CCO</sub> /2 where ODT = RTT_60	-10% <sup>8</sup>	60	+10% <sup>8</sup>	Ω
	Programmable input termination to V <sub>CCO</sub> where ODT = RTT_40	-10% <sup>8</sup>	40	+10% <sup>8</sup>	Ω
	Programmable input termination to V <sub>CCO</sub> where ODT = RTT_48	-10% <sup>8</sup>	48	+10% <sup>8</sup>	Ω
	Programmable input termination to V <sub>CCO</sub> where ODT = RTT_60	-10% <sup>8</sup>	60	+10% <sup>8</sup>	Ω
	Programmable input termination to V <sub>CCO</sub> where ODT = RTT_120	-10% <sup>8</sup>	120	+10% <sup>8</sup>	Ω
	Programmable input termination to V <sub>CCO</sub> where ODT = RTT_240	-10% <sup>8</sup>	240	+10% <sup>8</sup>	Ω
<b>Uncalibrated programmable on-die termination in HP I/Os banks (measured per JEDEC specification)</b>					
R <sup>9</sup>	Thevenin equivalent resistance of programmable input termination to V <sub>CCO</sub> /2 where ODT = RTT_40	-50%	40	+50%	Ω
	Thevenin equivalent resistance of programmable input termination to V <sub>CCO</sub> /2 where ODT = RTT_48	-50%	48	+50%	Ω
	Thevenin equivalent resistance of programmable input termination to V <sub>CCO</sub> /2 where ODT = RTT_60	-50%	60	+50%	Ω
	Programmable input termination to V <sub>CCO</sub> where ODT = RTT_40	-50%	40	+50%	Ω
	Programmable input termination to V <sub>CCO</sub> where ODT = RTT_48	-50%	48	+50%	Ω
	Programmable input termination to V <sub>CCO</sub> where ODT = RTT_60	-50%	60	+50%	Ω
	Programmable input termination to V <sub>CCO</sub> where ODT = RTT_120	-50%	120	+50%	Ω
	Programmable input termination to V <sub>CCO</sub> where ODT = RTT_240	-50%	240	+50%	Ω



Table 4: DC Characteristics Over Recommended Operating Conditions (cont'd)

Symbol	Description	Min	Typ <sup>1</sup>	Max	Units
<b>Uncalibrated programmable on-die termination in HD I/O banks (measured per JEDEC specification)</b>					
R <sup>9</sup>	Thevenin equivalent resistance of programmable input termination to V <sub>CC0</sub> /2 where ODT = RTT_48	-50%	48	+50%	Ω

**Notes:**

1. Typical values are specified at nominal voltage, 25°C.
2. For the HP I/O banks with a V<sub>CC0</sub> of 1.8V and separated V<sub>CC0</sub> and V<sub>CCAUX\_IO</sub> power supplies, the I<sub>L</sub> maximum current is 70 μA.
3. This measurement represents the die capacitance at the pad, not including the package.
4. Maximum value specified for worst case process at 25°C.
5. I<sub>CC\_PSBATT</sub> is measured when the battery-backed RAM (BBRAM) is enabled.
6. Do not program eFUSE during device configuration (e.g., during configuration, during configuration readback, or when readback CRC is active).
7. VRP resistor tolerance is (240Ω ±1%).
8. If VRP resides at a different bank (DCI cascade), the range increases to ±15%.
9. On-die input termination resistance, for more information see the *UltraScale Architecture SelectIO Resources User Guide (UG571)*.

Table 5: PS MIO Pull-up and Pull-down Current

Symbol	Description	Min	Max	Units
I <sub>IRPU</sub> <sup>1</sup>	Pad pull-up (when selected) at V <sub>IN</sub> = 0V, V <sub>CC0_PSIO</sub> = 3.3V	20	80	μA
	Pad pull-up (when selected) at V <sub>IN</sub> = 0V, V <sub>CC0_PSIO</sub> = 2.5V	20	80	μA
	Pad pull-up (when selected) at V <sub>IN</sub> = 0V, V <sub>CC0_PSIO</sub> = 1.8V	15	65	μA
I <sub>IRPD</sub>	Pad pull-down (when selected) at V <sub>IN</sub> = 3.3V	20	80	μA
	Pad pull-down (when selected) at V <sub>IN</sub> = 2.5V	20	80	μA
	Pad pull-down (when selected) at V <sub>IN</sub> = 1.8V	15	65	μA

**Notes:**

1. After power-on, the reset values of the MIO pin configuration registers enable and select the PS MIO pull-ups.

## V<sub>IN</sub> Maximum Allowed AC Voltage Overshoot and Undershoot

Table 6: V<sub>IN</sub> Maximum Allowed AC Voltage Overshoot and Undershoot for HD I/O Banks

AC Voltage Overshoot <sup>1</sup>	% of UI <sup>2</sup> at -40°C to 100°C	AC Voltage Undershoot <sup>1</sup>	% of UI <sup>2</sup> at -40°C to 100°C
V <sub>CCO</sub> + 0.30	100%	-0.30	100%
V <sub>CCO</sub> + 0.35	100%	-0.35	90%
V <sub>CCO</sub> + 0.40	100%	-0.40	78%
V <sub>CCO</sub> + 0.45	100%	-0.45	40%
V <sub>CCO</sub> + 0.50	100%	-0.50	24%
V <sub>CCO</sub> + 0.55	100%	-0.55	18.0%
V <sub>CCO</sub> + 0.60	100%	-0.60	13.0%
V <sub>CCO</sub> + 0.65	100%	-0.65	10.8%
V <sub>CCO</sub> + 0.70	92%	-0.70	9.0%
V <sub>CCO</sub> + 0.75	92%	-0.75	7.0%
V <sub>CCO</sub> + 0.80	92%	-0.80	6.0%
V <sub>CCO</sub> + 0.85	92%	-0.85	5.0%
V <sub>CCO</sub> + 0.90	92%	-0.90	4.0%
V <sub>CCO</sub> + 0.95	92%	-0.95	2.5%

**Notes:**

1. A total of 200 mA per bank should not be exceeded.
2. For UI smaller than 20 μs.
3. For the -1M devices, the temperature limits are -55°C to 125°C.

Table 7: V<sub>IN</sub> Maximum Allowed AC Voltage Overshoot and Undershoot for HP I/O Banks

AC Voltage Overshoot <sup>1</sup>	% of UI <sup>2</sup> at -40°C to 100°C	AC Voltage Undershoot <sup>1</sup>	% of UI <sup>2</sup> at -40°C to 100°C
V <sub>CCO</sub> + 0.30	100%	-0.30	100%
V <sub>CCO</sub> + 0.35	100%	-0.35	100%
V <sub>CCO</sub> + 0.40	92%	-0.40	92%
V <sub>CCO</sub> + 0.45	50%	-0.45	50%
V <sub>CCO</sub> + 0.50	20%	-0.50	20%
V <sub>CCO</sub> + 0.55	10%	-0.55	10%
V <sub>CCO</sub> + 0.60	6%	-0.60	6%
V <sub>CCO</sub> + 0.65	2%	-0.65	2%
V <sub>CCO</sub> + 0.70	2%	-0.70	2%

**Notes:**

1. A total of 200 mA per bank should not be exceeded.
2. For UI smaller than 20 μs.
3. For the -1M devices, the temperature limits are -55°C to 125°C.

**Table 8:  $V_{PSIO}$  Maximum Allowed AC Voltage Overshoot and Undershoot for PS I/O Banks**

AC Voltage Overshoot <sup>1</sup>	% of UI <sup>2</sup> at -40°C to 100°C <sup>3</sup>	AC Voltage Undershoot <sup>1</sup>	% of UI <sup>2</sup> at -40°C to 100°C <sup>3</sup>
$V_{CCO\_PSIO} + 0.30$	100%	-0.30	100%
$V_{CCO\_PSIO} + 0.35$	100%	-0.35	75%
$V_{CCO\_PSIO} + 0.40$	100%	-0.40	45%
$V_{CCO\_PSIO} + 0.45$	100%	-0.45	40%
$V_{CCO\_PSIO} + 0.50$	75%	-0.50	10%
$V_{CCO\_PSIO} + 0.55$	75%	-0.55	6%
$V_{CCO\_PSIO} + 0.60$	60%	-0.60	2%
$V_{CCO\_PSIO} + 0.65$	30%	-0.65	0%
$V_{CCO\_PSIO} + 0.70$	20%	-0.70	0%
$V_{CCO\_PSIO} + 0.75$	10%	-0.75	0%
$V_{CCO\_PSIO} + 0.80$	10%	-0.80	0%
$V_{CCO\_PSIO} + 0.85$	8%	-0.85	0%
$V_{CCO\_PSIO} + 0.90$	6%	-0.90	0%
$V_{CCO\_PSIO} + 0.95$	6%	-0.95	0%

**Notes:**

1. A total of 200 mA per bank should not be exceeded.
2. For UI smaller than 20  $\mu$ s.
3. For the -1M devices, the temperature limits are -55°C to 125°C.

## Quiescent Supply Current

Table 9: Typical Quiescent Supply Current

Symbol	Description <sup>1, 2, 3, 4</sup>	Device	Speed Grade and V <sub>CCINT</sub> Operating Voltages				Units
			0.85V		0.72V		
			-2	-1	-2	-1	
I <sub>CCINTQ</sub>	Quiescent V <sub>CCINT</sub> supply current	XCZU21DR	2423	2423	2125	2125	mA
		XCZU25DR	2423	2423	2125	2125	mA
		XCZU27DR	2423	2423	2125	2125	mA
		XCZU28DR	2423	2423	2125	2125	mA
		XCZU29DR	2423	2423	2125	2125	mA
		XCZU39DR	2423	N/A	2125	N/A	mA
		XQZU21DR	2423	2423	N/A	2125	mA
		XQZU28DR	2423	2423	N/A	2125	mA
		XQZU29DR	2423	2423	N/A	2125	mA
		XCZU42DR	1328	1328	1206	1206	mA
		XCZU43DR	2338	2338	2125	2125	mA
		XCZU46DR	2338	2338	2125	2125	mA
		XCZU47DR	2338	2338	2125	2125	mA
		XCZU48DR	2338	2338	2125	2125	mA
		XCZU49DR	2338	2338	2125	2125	mA
		XQZU48DR	2338	2338	2125	2125	mA
		XQZU49DR	2338	2338	2125	2125	mA
		XCZU65DR	1328	1328	1206	1206	mA
		XCZU67DR	1328	1328	1206	1206	mA
		XQZU65DR	1328	1328	1206	1206	mA
XQZU67DR	1328	1328	1206	1206	mA		

Table 9: Typical Quiescent Supply Current (cont'd)

Symbol	Description <sup>1, 2, 3, 4</sup>	Device	Speed Grade and V <sub>CCINT</sub> Operating Voltages				Units
			0.85V		0.72V		
			-2	-1	-2	-1	
I <sub>CCINT_IOQ</sub>	Quiescent V <sub>CCINT_IO</sub> supply current	XCZU21DR	115	115	115	115	mA
		XCZU25DR	115	115	115	115	mA
		XCZU27DR	115	115	115	115	mA
		XCZU28DR	115	115	115	115	mA
		XCZU29DR	115	115	115	115	mA
		XCZU39DR	115	N/A	115	N/A	mA
		XQZU21DR	115	115	N/A	115	mA
		XQZU28DR	115	115	N/A	115	mA
		XQZU29DR	115	115	N/A	115	mA
		XCZU42DR	72	72	72	72	mA
		XCZU43DR	114	114	114	114	mA
		XCZU46DR	114	114	114	114	mA
		XCZU47DR	114	114	114	114	mA
		XCZU48DR	114	114	114	114	mA
		XCZU49DR	114	114	114	114	mA
		XQZU48DR	114	114	114	114	mA
		XQZU49DR	114	114	114	114	mA
		XCZU65DR	72	72	72	72	mA
		XCZU67DR	72	72	72	72	mA
		XQZU65DR	72	72	72	72	mA
XQZU67DR	72	72	72	72	mA		
I <sub>CCOQ</sub>	Quiescent V <sub>CCO</sub> supply current	All devices	1	1	1	1	mA

Table 9: Typical Quiescent Supply Current (cont'd)

Symbol	Description <sup>1, 2, 3, 4</sup>	Device	Speed Grade and V <sub>CCINT</sub> Operating Voltages				Units
			0.85V		0.72V		
			-2	-1	-2	-1	
I <sub>CCAUXQ</sub>	Quiescent V <sub>CCAUX</sub> supply current	XCZU21DR	334	334	334	334	mA
		XCZU25DR	334	334	334	334	mA
		XCZU27DR	334	334	334	334	mA
		XCZU28DR	334	334	334	334	mA
		XCZU29DR	334	334	334	334	mA
		XCZU39DR	334	N/A	334	N/A	mA
		XQZU21DR	334	334	N/A	334	mA
		XQZU28DR	334	334	N/A	334	mA
		XQZU29DR	334	334	N/A	334	mA
		XCZU42DR	203	203	203	203	mA
		XCZU43DR	334	334	334	334	mA
		XCZU46DR	334	334	334	334	mA
		XCZU47DR	334	334	334	334	mA
		XCZU48DR	334	334	334	334	mA
		XCZU49DR	334	334	334	334	mA
		XQZU48DR	334	334	334	334	mA
		XQZU49DR	334	334	334	334	mA
		XCZU65DR	203	203	203	203	mA
		XCZU67DR	203	203	203	203	mA
		XQZU65DR	203	203	203	203	mA
XQZU67DR	203	203	203	203	mA		

Table 9: Typical Quiescent Supply Current (cont'd)

Symbol	Description <sup>1, 2, 3, 4</sup>	Device	Speed Grade and V <sub>CCINT</sub> Operating Voltages				Units
			0.85V		0.72V		
			-2	-1	-2	-1	
I <sub>CCAUX_IOQ</sub>	Quiescent V <sub>CCAUX_IO</sub> supply current	XCZU21DR	58	58	58	58	mA
		XCZU25DR	58	58	58	58	mA
		XCZU27DR	58	58	58	58	mA
		XCZU28DR	58	58	58	58	mA
		XCZU29DR	58	58	58	58	mA
		XCZU39DR	58	N/A	58	N/A	mA
		XQZU21DR	58	58	N/A	58	mA
		XQZU28DR	58	58	N/A	58	mA
		XQZU29DR	58	58	N/A	58	mA
		XCZU42DR	36	36	36	36	mA
		XCZU43DR	58	58	58	58	mA
		XCZU46DR	58	58	58	58	mA
		XCZU47DR	58	58	58	58	mA
		XCZU48DR	58	58	58	58	mA
		XCZU49DR	58	58	58	58	mA
		XQZU48DR	58	58	58	58	mA
		XQZU49DR	58	58	58	58	mA
		XCZU65DR	36	36	36	36	mA
		XCZU67DR	36	36	36	36	mA
		XQZU65DR	36	36	36	36	mA
XQZU67DR	36	36	36	36	mA		

Table 9: Typical Quiescent Supply Current (cont'd)

Symbol	Description <sup>1, 2, 3, 4</sup>	Device	Speed Grade and V <sub>CCINT</sub> Operating Voltages				Units
			0.85V		0.72V		
			-2	-1	-2	-1	
I <sub>CCBRAMQ</sub>	Quiescent V <sub>CCBRAM</sub> supply current	XCZU21DR	34	34	34	34	mA
		XCZU25DR	34	34	34	34	mA
		XCZU27DR	34	34	34	34	mA
		XCZU28DR	34	34	34	34	mA
		XCZU29DR	278	278	278	278	mA
		XCZU39DR	278	N/A	278	N/A	mA
		XQZU21DR	34	34	N/A	34	mA
		XQZU28DR	34	34	N/A	34	mA
		XQZU29DR	34	34	N/A	34	mA
		XCZU42DR	39	39	39	39	mA
		XCZU43DR	34	34	34	34	mA
		XCZU46DR	34	34	34	34	mA
		XCZU47DR	34	34	34	34	mA
		XCZU48DR	34	34	34	34	mA
		XCZU49DR	277	277	277	277	mA
		XQZU48DR	34	34	34	34	mA
		XQZU49DR	277	277	277	277	mA
		XCZU65DR	39	39	39	39	mA
		XCZU67DR	39	39	39	39	mA
		XQZU65DR	39	39	39	39	mA
XQZU67DR	39	39	39	39	mA		

**Notes:**

1. Typical values are specified at nominal voltage, 85°C junction temperatures (T<sub>j</sub>) with single-ended SelectIO™ resources.
2. Typical values are for blank configured devices with no output current loads, no active input pull-up resistors, and all I/O pins are 3-state and floating.
3. Use the Xilinx® Power Estimator (XPE) spreadsheet tool (download at [www.xilinx.com/power](http://www.xilinx.com/power)) to estimate static power consumption for conditions or supplies other than those specified.
4. Typical values depend upon your configuration. To accurately estimate all PS supply currents, use the interactive XPE spreadsheet tool.

## Power Supply Sequencing

### PS Power-On/Off Power Supply Sequencing

The low-power domain (LPD) must operate before the full-power domain (FPD) can function. The low-power and full-power domains can be powered simultaneously. The PS\_POR\_B input must be asserted to GND during the power-on sequence (see Table 37). The FPD (when used) must be powered before PS\_POR\_B is released.

To achieve minimum current draw at power-on, the recommended power-on sequence for the low-power domain (LPD) is listed. The recommended power-off sequence is the reverse of the power-on sequence.

1. V<sub>CC\_PSINTLP</sub>



2.  $V_{CC\_PSAUX}$ ,  $V_{CC\_PSADC}$ , and  $V_{CC\_PSPLL}$  in any order or simultaneously.
3.  $V_{CCO\_PSIO}$

To achieve minimum current draw at power-on, the recommended power-on sequence for the full-power domain (FPD) is listed. The recommended power-off sequence is the reverse of the power-on sequence.

1.  $V_{CC\_PSINTFP}$  and  $V_{CC\_PSINTFP\_DDR}$  driven from the same supply source.
2.  $V_{PS\_MGTRAVCC}$  and  $V_{CC\_PSDDR\_PLL}$  in any order or simultaneously.
3.  $V_{PS\_MGTRAVTT}$  and  $V_{CCO\_PSDDR}$  in any order or simultaneously.

## PL Power-On/Off Power Supply Sequencing

The recommended power-on sequence is  $V_{CCINT}$ ,  $V_{CCINT\_IO}/V_{CCBRAM}$ ,  $V_{CCAUX}/V_{CCAUX\_IO}$ , and  $V_{CCO}$  to achieve minimum current draw and ensure that the I/Os are 3-stated at power-on. The recommended power-off sequence is the reverse of the power-on sequence. If  $V_{CCINT}$  and  $V_{CCINT\_IO}/V_{CCBRAM}$  have the same recommended voltage levels, they can be powered by the same supply and ramped simultaneously.  $V_{CCINT\_IO}$  must be connected to  $V_{CCBRAM}$ . If  $V_{CCAUX}/V_{CCAUX\_IO}$  and  $V_{CCO}$  have the same recommended voltage levels, they can be powered by the same supply and ramped simultaneously.  $V_{CCAUX}$  and  $V_{CCAUX\_IO}$  must be connected together.  $V_{CCADC}$  and  $V_{REF}$  can be powered at any time and have no power-up sequencing requirements.

- For ZU2xDR and ZU39DR devices,  $V_{ADC\_AVCC}$ ,  $V_{ADC\_AVCCAUX}$ ,  $V_{DAC\_AVCC}$ ,  $V_{DAC\_AVCCAUX}$ , and  $V_{DAC\_AVTT}$  can be powered at any time and have no power-up sequencing requirements.
- For ZU4xDR and ZU6xDR devices,  $V_{DAC\_AVCC}$ ,  $V_{DAC\_AVCCAUX}$ , and  $V_{DAC\_AVTT}$  can be powered at any time and have no power-up sequencing requirements.
- For ZU4xDR and ZU6xDR devices,  $V_{ADC\_AVCC}$  and  $V_{ADC\_AVCCAUX}$  have a required power-up sequence:  $V_{ADC\_AVCCAUX}$  followed by  $V_{ADC\_AVCC}$ . The required power-off sequence is the reverse of the power-on sequence:  $V_{ADC\_AVCC}$  followed by  $V_{ADC\_AVCCAUX}$ .

The recommended power-on sequence to achieve minimum current draw for the GTY transceivers is  $V_{CCINT}$ ,  $V_{MGTAVCC}$ ,  $V_{MGTAVTT}$  OR  $V_{MGTAVCC}$ ,  $V_{CCINT}$ ,  $V_{MGTAVTT}$ . There is no recommended sequencing for  $V_{MGTAVCCAUX}$ . Both  $V_{MGTAVCC}$  and  $V_{CCINT}$  can be ramped simultaneously. The recommended power-off sequence is the reverse of the power-on sequence to achieve minimum current draw. If these recommended sequences are not met, current drawn from  $V_{MGTAVTT}$  can be higher than specifications during power-up and power-down.

## PS-PL Power Sequencing

The PS and PL power supplies are fully independent. All PS power supplies can be powered before or after any PL power supplies. The PS and PL power regions are isolated to prevent damage.

## Power Supply Requirements

Table 10 shows the minimum current, in addition to  $I_{CCQ}$  maximum, required by each Zynq UltraScale+ RFSoc for proper power-on and configuration. If these current minimums are met, the device powers on after all supplies have passed through their power-on reset threshold voltages. The device must not be configured until after  $V_{CCINT}$  is applied. Once initialized and configured, use the Xilinx Power Estimator (XPE) to estimate current drain on these supplies. The XPE tool (download at <https://www.xilinx.com/power>) is also used to estimate power-on current for all supplies.

**Table 10: Power-on Current by Device**

<b>I<sub>CC</sub> Min =</b>	<b>I<sub>CCINTMIN</sub></b>	<b>I<sub>CCINT_IOMIN</sub> + I<sub>CCBRAMMIN</sub></b>	<b>I<sub>CCOMIN</sub></b>	<b>I<sub>CCAUXMIN</sub> + I<sub>CCAUX_IOMIN</sub></b>	<b>I<sub>CCSDFECMIN</sub></b>	<b>Units</b>
<b>I<sub>CCQ</sub> +</b>	<b>I<sub>CCINTQ</sub> +</b>	<b>I<sub>CCBRAMQ</sub> + I<sub>CCINT_IOQ</sub> +</b>	<b>I<sub>CCOQ</sub> +</b>	<b>I<sub>CCAUXQ</sub> + I<sub>CCAUX_IOQ</sub> +</b>	<b>I<sub>CCSDFECQ</sub> +</b>	
XCZU21DR XQZU21DR	4500	770	50	320	250	mA
XCZU25DR	4500	770	50	320	250	mA
XCZU27DR	4500	770	50	320	250	mA
XCZU28DR XQZU28DR	4500	770	50	320	250	mA
XCZU29DR XQZU29DR	4500	1020	50	320	N/A	mA
XCZU39DR	4500	1020	50	320	N/A	mA
XCZU42DR	3516	602	50	261	N/A	mA
XCZU43DR	4500	1020	50	320	N/A	mA
XCZU46DR	4500	1020	50	320	250	mA
XCZU47DR	4500	1020	50	320	N/A	mA
XCZU48DR XQZU48DR	4500	1020	50	320	250	mA
XCZU49DR XQZU49DR	4500	1020	50	320	N/A	mA
XCZU65DR XQZU65DR	3516	602	50	261	N/A	mA
XCZU67DR XQZU67DR	3516	602	50	261	N/A	mA

**Table 11: Power Supply Ramp Time**

Symbol	Description	Min	Max	Units
$T_{VCCINT}$	Ramp time from GND to 95% of $V_{CCINT}$	0.2	40	ms
$T_{VCCINT\_IO}$	Ramp time from GND to 95% of $V_{CCINT\_IO}$	0.2	40	ms
$T_{VCCO}$	Ramp time from GND to 95% of $V_{CCO}$	0.2	40	ms
$T_{VCCAUX}$	Ramp time from GND to 95% of $V_{CCAUX}$	0.2	40	ms
$T_{VCCBRAM}$	Ramp time from GND to 95% of $V_{CCBRAM}$	0.2	40	ms
$T_{MGTAVCC}$	Ramp time from GND to 95% of $V_{MGTAVCC}$	0.2	40	ms
$T_{MGTAVTT}$	Ramp time from GND to 95% of $V_{MGTAVTT}$	0.2	40	ms
$T_{MGTVCCAUX}$	Ramp time from GND to 95% of $V_{MGTVCCAUX}$	0.2	40	ms
$T_{VCC\_PSINTFP}$	Ramp time from GND to 95% of $V_{CC\_PSINTFP}$	0.2	40	ms
$T_{VCC\_PSINTLP}$	Ramp time from GND to 95% of $V_{CC\_PSINTLP}$	0.2	40	ms
$T_{VCC\_PSAUX}$	Ramp time from GND to 95% of $V_{CC\_PSAUX}$	0.2	40	ms
$T_{VCC\_PSINTFP\_DDR}$	Ramp time from GND to 95% of $V_{CC\_PSINTFP\_DDR}$	0.2	40	ms
$T_{VCC\_PSADC}$	Ramp time from GND to 95% of $V_{CC\_PSADC}$	0.2	40	ms
$T_{VCC\_PSPLL}$	Ramp time from GND to 95% of $V_{CC\_PSPLL}$	0.2	40	ms
$T_{PS\_MGTRAVCC}$	Ramp time from GND to 95% of $V_{CC\_MGTRAVCC}$	0.2	40	ms
$T_{PS\_MGTRAVTT}$	Ramp time from GND to 95% of $V_{CC\_MGTRAVTT}$	0.2	40	ms
$T_{VCCO\_PSDDR}$	Ramp time from GND to 95% of $V_{CCO\_PSDDR}$	0.2	40	ms
$T_{VCC\_PSDDR\_PLL}$	Ramp time from GND to 95% of $V_{CC\_PSDDR\_PLL}$	0.2	40	ms
$T_{VCCO\_PSIO}$	Ramp time from GND to 95% of $V_{CCO\_PSIO}$	0.2	40	ms
$T_{VADC\_AVCC}$	Ramp time from GND to 95% of $V_{ADC\_AVCC}$	0.2	40	ms
$T_{VADC\_AVCCAUX}$	Ramp time from GND to 95% of $V_{ADC\_AVCCAUX}$	0.2	40	ms
$T_{VDAC\_AVCC}$	Ramp time from GND to 95% of $V_{DAC\_AVCC}$	0.2	40	ms
$T_{VDAC\_AVCCAUX}$	Ramp time from GND to 95% of $V_{DAC\_AVCCAUX}$	0.2	40	ms
$T_{VDAC\_AVTT}$	Ramp time from GND to 95% of $V_{DAC\_AVTT}$	0.2	40	ms
$T_{VCCSDFEC}$	Ramp time from GND to 95% of $V_{CCSDFEC}$	0.2	40	ms

## DC Input and Output Levels

Values for  $V_{IL}$  and  $V_{IH}$  are recommended input voltages. Values for  $I_{OL}$  and  $I_{OH}$  are guaranteed over the recommended operating conditions at the  $V_{OL}$  and  $V_{OH}$  test points. Only selected standards are tested. These are chosen to ensure that all standards meet their specifications. The selected standards are tested at a minimum  $V_{CCO}$  with the respective  $V_{OL}$  and  $V_{OH}$  voltage levels shown. Other standards are sample tested.

## PS I/O Levels

Table 12: PS MIO and CONFIG DC Input and Output Levels

I/O Standard <sup>1</sup>	V <sub>IL</sub>		V <sub>IH</sub>		V <sub>OL</sub>	V <sub>OH</sub>	I <sub>OL</sub>	I <sub>OH</sub>
	V, Min	V, Max	V, Min	V, Max	V, Max	V, Min	mA	mA
LVC MOS33	-0.300	0.800	2.000	V <sub>CCO_PSIO</sub>	0.40	2.40	12	-12
LVC MOS25	-0.300	0.700	1.700	V <sub>CCO_PSIO</sub> + 0.30	0.70	1.70	12	-12
LVC MOS18	-0.300	35% V <sub>CCO_PSIO</sub>	65% V <sub>CCO_PSIO</sub>	V <sub>CCO_PSIO</sub> + 0.30	0.45	V <sub>CCO_PSIO</sub> - 0.45	12	-12

**Notes:**

1. Tested according to relevant specifications.

Table 13: PS DDR DC Input and Output Levels

DDR Standard <sup>1</sup>	V <sub>IL</sub>		V <sub>IH</sub>		V <sub>OL</sub> <sup>2</sup>	V <sub>OH</sub> <sup>2</sup>	I <sub>OL</sub>	I <sub>OH</sub>
	V, Min	V, Max	V, Min	V, Max	V, Max	V, Min	mA	mA
DDR4	0.000	V <sub>REF</sub> - 0.100	V <sub>REF</sub> + 0.100	V <sub>CCO_PSDDR</sub>	0.8 x V <sub>CCO_PSDDR</sub> - 0.150	0.8 x V <sub>CCO_PSDDR</sub> + 0.150	10	-0.1
LPDDR4	0.000	V <sub>REF</sub> - 0.100	V <sub>REF</sub> + 0.100	V <sub>CCO_PSDDR</sub>	0.3 x V <sub>CCO_PSDDR</sub> - 0.150	0.3 x V <sub>CCO_PSDDR</sub> + 0.150	0.1	-10
DDR3	-0.300	V <sub>REF</sub> - 0.100	V <sub>REF</sub> + 0.100	V <sub>CCO_PSDDR</sub>	0.5 x V <sub>CCO_PSDDR</sub> - 0.175	0.5 x V <sub>CCO_PSDDR</sub> + 0.175	8	-8
LPDDR3	0.000	V <sub>REF</sub> - 0.100	V <sub>REF</sub> + 0.100	V <sub>CCO_PSDDR</sub>	0.5 x V <sub>CCO_PSDDR</sub> - 0.150	0.5 x V <sub>CCO_PSDDR</sub> + 0.150	8	-8
DDR3L	-0.300	V <sub>REF</sub> - 0.090	V <sub>REF</sub> + 0.090	V <sub>CCO_PSDDR</sub>	0.5 x V <sub>CCO_PSDDR</sub> - 0.150	0.5 x V <sub>CCO_PSDDR</sub> + 0.150	8	-8

**Notes:**

1. Tested according to relevant specifications.
2. DDR4 V<sub>OL</sub>/V<sub>OH</sub> specifications are only applicable for DQ/DQS pins.

## PL I/O Levels

Table 14: SelectIO DC Input and Output Levels For HD I/O Banks

I/O Standard <sup>1, 2</sup>	$V_{IL}$		$V_{IH}$		$V_{OL}$	$V_{OH}$	$I_{OL}$	$I_{OH}$
	V, Min	V, Max	V, Min	V, Max	V, Max	V, Min	mA	mA
HSTL_I	-0.300	$V_{REF} - 0.100$	$V_{REF} + 0.100$	$V_{CCO} + 0.300$	0.400	$V_{CCO} - 0.400$	8.0	-8.0
HSTL_I_18	-0.300	$V_{REF} - 0.100$	$V_{REF} + 0.100$	$V_{CCO} + 0.300$	0.400	$V_{CCO} - 0.400$	8.0	-8.0
HSUL_12	-0.300	$V_{REF} - 0.130$	$V_{REF} + 0.130$	$V_{CCO} + 0.300$	20% $V_{CCO}$	80% $V_{CCO}$	0.1	-0.1
LVC MOS12	-0.300	35% $V_{CCO}$	65% $V_{CCO}$	$V_{CCO} + 0.300$	0.400	$V_{CCO} - 0.400$	Note 3	Note 3
LVC MOS15	-0.300	35% $V_{CCO}$	65% $V_{CCO}$	$V_{CCO} + 0.300$	0.450	$V_{CCO} - 0.450$	Note 4	Note 4
LVC MOS18	-0.300	35% $V_{CCO}$	65% $V_{CCO}$	$V_{CCO} + 0.300$	0.450	$V_{CCO} - 0.450$	Note 4	Note 4
LVC MOS25	-0.300	0.700	1.700	$V_{CCO} + 0.300$	0.400	$V_{CCO} - 0.400$	Note 4	Note 4
LVC MOS33	-0.300	0.800	2.000	3.400	0.400	$V_{CCO} - 0.400$	Note 4	Note 4
LV TTL	-0.300	0.800	2.000	3.400	0.400	2.400	Note 4	Note 4
SSTL12	-0.300	$V_{REF} - 0.100$	$V_{REF} + 0.100$	$V_{CCO} + 0.300$	$V_{CCO}/2 - 0.150$	$V_{CCO}/2 + 0.150$	14.25	-14.25
SSTL135	-0.300	$V_{REF} - 0.090$	$V_{REF} + 0.090$	$V_{CCO} + 0.300$	$V_{CCO}/2 - 0.150$	$V_{CCO}/2 + 0.150$	8.9	-8.9
SSTL135_II	-0.300	$V_{REF} - 0.090$	$V_{REF} + 0.090$	$V_{CCO} + 0.300$	$V_{CCO}/2 - 0.150$	$V_{CCO}/2 + 0.150$	13.0	-13.0
SSTL15	-0.300	$V_{REF} - 0.100$	$V_{REF} + 0.100$	$V_{CCO} + 0.300$	$V_{CCO}/2 - 0.175$	$V_{CCO}/2 + 0.175$	8.9	-8.9
SSTL15_II	-0.300	$V_{REF} - 0.100$	$V_{REF} + 0.100$	$V_{CCO} + 0.300$	$V_{CCO}/2 - 0.175$	$V_{CCO}/2 + 0.175$	13.0	-13.0
SSTL18_I	-0.300	$V_{REF} - 0.125$	$V_{REF} + 0.125$	$V_{CCO} + 0.300$	$V_{CCO}/2 - 0.470$	$V_{CCO}/2 + 0.470$	8.0	-8.0
SSTL18_II	-0.300	$V_{REF} - 0.125$	$V_{REF} + 0.125$	$V_{CCO} + 0.300$	$V_{CCO}/2 - 0.600$	$V_{CCO}/2 + 0.600$	13.4	-13.4

### Notes:

1. Tested according to relevant specifications.
2. Standards specified using the default I/O standard configuration. For details, see the *UltraScale Architecture SelectIO Resources User Guide* (UG571).
3. Supported drive strengths of 4, 8, or 12 mA in HD I/O banks.
4. Supported drive strengths of 4, 8, 12, or 16 mA in HD I/O banks.

**Table 15: SelectIO DC Input and Output Levels for HP I/O Banks**

I/O Standard <sup>1, 2, 3</sup>	$V_{IL}$		$V_{IH}$		$V_{OL}$	$V_{OH}$	$I_{OL}$	$I_{OH}$
	V, Min	V, Max	V, Min	V, Max	V, Max	V, Min	mA	mA
HSTL_I	-0.300	$V_{REF} - 0.100$	$V_{REF} + 0.100$	$V_{CCO} + 0.300$	0.400	$V_{CCO} - 0.400$	5.8	-5.8
HSTL_I_12	-0.300	$V_{REF} - 0.080$	$V_{REF} + 0.080$	$V_{CCO} + 0.300$	25% $V_{CCO}$	75% $V_{CCO}$	4.1	-4.1
HSTL_I_18	-0.300	$V_{REF} - 0.100$	$V_{REF} + 0.100$	$V_{CCO} + 0.300$	0.400	$V_{CCO} - 0.400$	6.2	-6.2
HSUL_12	-0.300	$V_{REF} - 0.130$	$V_{REF} + 0.130$	$V_{CCO} + 0.300$	20% $V_{CCO}$	80% $V_{CCO}$	0.1	-0.1
LVC MOS12	-0.300	35% $V_{CCO}$	65% $V_{CCO}$	$V_{CCO} + 0.300$	0.400	$V_{CCO} - 0.400$	Note 4	Note 4
LVC MOS15	-0.300	35% $V_{CCO}$	65% $V_{CCO}$	$V_{CCO} + 0.300$	0.450	$V_{CCO} - 0.450$	Note 5	Note 5
LVC MOS18	-0.300	35% $V_{CCO}$	65% $V_{CCO}$	$V_{CCO} + 0.300$	0.450	$V_{CCO} - 0.450$	Note 5	Note 5
LVDCI_15	-0.300	35% $V_{CCO}$	65% $V_{CCO}$	$V_{CCO} + 0.300$	0.450	$V_{CCO} - 0.450$	7.0	-7.0
LVDCI_18	-0.300	35% $V_{CCO}$	65% $V_{CCO}$	$V_{CCO} + 0.300$	0.450	$V_{CCO} - 0.450$	7.0	-7.0
SSTL12	-0.300	$V_{REF} - 0.100$	$V_{REF} + 0.100$	$V_{CCO} + 0.300$	$V_{CCO}/2 - 0.150$	$V_{CCO}/2 + 0.150$	8.0	-8.0
SSTL135	-0.300	$V_{REF} - 0.090$	$V_{REF} + 0.090$	$V_{CCO} + 0.300$	$V_{CCO}/2 - 0.150$	$V_{CCO}/2 + 0.150$	9.0	-9.0
SSTL15	-0.300	$V_{REF} - 0.100$	$V_{REF} + 0.100$	$V_{CCO} + 0.300$	$V_{CCO}/2 - 0.175$	$V_{CCO}/2 + 0.175$	10.0	-10.0
SSTL18_I	-0.300	$V_{REF} - 0.125$	$V_{REF} + 0.125$	$V_{CCO} + 0.300$	$V_{CCO}/2 - 0.470$	$V_{CCO}/2 + 0.470$	7.0	-7.0
MIPI_DPHY_DCI_LP <sup>6</sup>	-0.300	0.550	0.880 <sup>7</sup>	$V_{CCO} + 0.300$	0.050	1.100	0.01	-0.01

**Notes:**

1. Tested according to relevant specifications.
2. Standards specified using the default I/O standard configuration. For details, see the *UltraScale Architecture SelectIO Resources User Guide* (UG571).
3. POD10 and POD12 DC input and output levels are shown in Table 16, Table 21, and Table 22.
4. Supported drive strengths of 2, 4, 6, or 8 mA in HP I/O banks.
5. Supported drive strengths of 2, 4, 6, 8, or 12 mA in HP I/O banks.
6. Low-power option for MIPI\_DPHY\_DCI.
7. When operating at data rates of 1.5 Gb/s to 2.5 Gb/s, the minimum  $V_{IH}$  is 0.790V. These data rates, outlined in Table 72 are supported for XC devices only.

**Table 16: DC Input Levels for Single-ended POD10 and POD12 I/O Standards**

I/O Standard <sup>1, 2</sup>	$V_{IL}$		$V_{IH}$	
	V, Min	V, Max	V, Min	V, Max
POD10	-0.300	$V_{REF} - 0.068$	$V_{REF} + 0.068$	$V_{CCO} + 0.300$
POD12	-0.300	$V_{REF} - 0.068$	$V_{REF} + 0.068$	$V_{CCO} + 0.300$

**Notes:**

1. Tested according to relevant specifications.
2. Standards specified using the default I/O standard configuration. For details, see the *UltraScale Architecture SelectIO Resources User Guide* (UG571).

**Table 17: Differential SelectIO DC Input and Output Levels**

I/O Standard	$V_{ICM}$ (V) <sup>1</sup>			$V_{ID}$ (V) <sup>2</sup>			$V_{ILHS}$ <sup>3</sup>	$V_{IHHS}$ <sup>3</sup>	$V_{OCM}$ (V) <sup>4</sup>			$V_{OD}$ (V) <sup>5</sup>		
	Min	Typ	Max	Min	Typ	Max	Min	Max	Min	Typ	Max	Min	Typ	Max
SUB_LVDS <sup>8</sup>	0.500	0.900	1.300	0.070	-	-	-	-	0.700	0.900	1.100	0.100	0.150	0.200
LVPECL	0.300	1.200	1.425	0.100	0.350	0.600	-	-	-	-	-	-	-	-
SLVS_400_18	0.070	0.200	0.330	0.140	-	0.450	-	-	-	-	-	-	-	-
SLVS_400_25	0.070	0.200	0.330	0.140	-	0.450	-	-	-	-	-	-	-	-
MIPI_DPHY_DCI_HS <sup>9, 10</sup>	0.070	-	0.330	0.070	-	-	-0.040	0.460	0.150	0.200	0.250	0.140	0.200	0.270

**Notes:**

- $V_{ICM}$  is the input common mode voltage.
- $V_{ID}$  is the input differential voltage ( $Q - \bar{Q}$ ).
- $V_{IHHS}$  and  $V_{ILHS}$  are the single-ended input high and low voltages, respectively.
- $V_{OCM}$  is the output common mode voltage.
- $V_{OD}$  is the output differential voltage ( $Q - \bar{Q}$ ).
- LVDS\_25 is specified in Table 23.
- LVDS is specified in Table 24.
- The SUB\_LVDS receiver is supported in HP I/O and HD I/O banks. The SUB\_LVDS transmitter is supported only in HP I/O banks.
- High-speed option for MIPI\_DPHY\_DCI. The  $V_{ID}$  maximum is aligned with the standard's specification. A higher  $V_{ID}$  is acceptable as long as the  $V_{IN}$  specification is also met.
- When operating at data rates of 1.5 Gb/s to 2.5 Gb/s, the minimum  $V_{ID}$  is 0.040V. These data rates, outlined in Table 72 are supported for XC devices only.

**Table 18: Complementary Differential SelectIO DC Input and Output Levels for HD I/O Banks**

I/O Standard	$V_{ICM}$ (V) <sup>1</sup>			$V_{ID}$ (V) <sup>2</sup>		$V_{OL}$ (V) <sup>3</sup>	$V_{OH}$ (V) <sup>4</sup>	$I_{OL}$	$I_{OH}$
	Min	Typ	Max	Min	Max	Max	Min	mA	mA
DIFF_HSTL_I	0.300	0.750	1.125	0.100	-	0.400	$V_{CCO} - 0.400$	8.0	-8.0
DIFF_HSTL_I_18	0.300	0.900	1.425	0.100	-	0.400	$V_{CCO} - 0.400$	8.0	-8.0
DIFF_HSUL_12	0.300	0.600	0.850	0.100	-	20% $V_{CCO}$	80% $V_{CCO}$	0.1	-0.1
DIFF_SSTL12	0.300	0.600	0.850	0.100	-	$(V_{CCO}/2) - 0.150$	$(V_{CCO}/2) + 0.150$	14.25	-14.25
DIFF_SSTL135	0.300	0.675	1.000	0.100	-	$(V_{CCO}/2) - 0.150$	$(V_{CCO}/2) + 0.150$	8.9	-8.9
DIFF_SSTL135_II	0.300	0.675	1.000	0.100	-	$(V_{CCO}/2) - 0.150$	$(V_{CCO}/2) + 0.150$	13.0	-13.0
DIFF_SSTL15	0.300	0.750	1.125	0.100	-	$(V_{CCO}/2) - 0.175$	$(V_{CCO}/2) + 0.175$	8.9	-8.9
DIFF_SSTL15_II	0.300	0.750	1.125	0.100	-	$(V_{CCO}/2) - 0.175$	$(V_{CCO}/2) + 0.175$	13.0	-13.0
DIFF_SSTL18_I	0.300	0.900	1.425	0.100	-	$(V_{CCO}/2) - 0.470$	$(V_{CCO}/2) + 0.470$	8.0	-8.0
DIFF_SSTL18_II	0.300	0.900	1.425	0.100	-	$(V_{CCO}/2) - 0.600$	$(V_{CCO}/2) + 0.600$	13.4	-13.4

**Notes:**

- $V_{ICM}$  is the input common mode voltage.
- $V_{ID}$  is the input differential voltage.
- $V_{OL}$  is the single-ended low-output voltage.
- $V_{OH}$  is the single-ended high-output voltage.

**Table 19: Complementary Differential SelectIO DC Input and Output Levels for HP I/O Banks**

I/O Standard <sup>1</sup>	V <sub>ICM</sub> (V) <sup>2</sup>			V <sub>ID</sub> (V) <sup>3</sup>		V <sub>OL</sub> (V) <sup>4</sup>	V <sub>OH</sub> (V) <sup>5</sup>	I <sub>OL</sub>	I <sub>OH</sub>
	Min	Typ	Max	Min	Max	Max	Min	mA	mA
DIFF_HSTL_I	0.680	V <sub>CCO</sub> /2	(V <sub>CCO</sub> /2) + 0.150	0.100	-	0.400	V <sub>CCO</sub> - 0.400	5.8	-5.8
DIFF_HSTL_I_12	0.400 × V <sub>CCO</sub>	V <sub>CCO</sub> /2	0.600 × V <sub>CCO</sub>	0.100	-	0.250 × V <sub>CCO</sub>	0.750 × V <sub>CCO</sub>	4.1	-4.1
DIFF_HSTL_I_18	(V <sub>CCO</sub> /2) - 0.175	V <sub>CCO</sub> /2	(V <sub>CCO</sub> /2) + 0.175	0.100	-	0.400	V <sub>CCO</sub> - 0.400	6.2	-6.2
DIFF_HSUL_12	(V <sub>CCO</sub> /2) - 0.120	V <sub>CCO</sub> /2	(V <sub>CCO</sub> /2) + 0.120	0.100	-	20% V <sub>CCO</sub>	80% V <sub>CCO</sub>	0.1	-0.1
DIFF_SSTL12	(V <sub>CCO</sub> /2) - 0.150	V <sub>CCO</sub> /2	(V <sub>CCO</sub> /2) + 0.150	0.100	-	(V <sub>CCO</sub> /2) - 0.150	(V <sub>CCO</sub> /2) + 0.150	8.0	-8.0
DIFF_SSTL135	(V <sub>CCO</sub> /2) - 0.150	V <sub>CCO</sub> /2	(V <sub>CCO</sub> /2) + 0.150	0.100	-	(V <sub>CCO</sub> /2) - 0.150	(V <sub>CCO</sub> /2) + 0.150	9.0	-9.0
DIFF_SSTL15	(V <sub>CCO</sub> /2) - 0.175	V <sub>CCO</sub> /2	(V <sub>CCO</sub> /2) + 0.175	0.100	-	(V <sub>CCO</sub> /2) - 0.175	(V <sub>CCO</sub> /2) + 0.175	10.0	-10.0
DIFF_SSTL18_I	(V <sub>CCO</sub> /2) - 0.175	V <sub>CCO</sub> /2	(V <sub>CCO</sub> /2) + 0.175	0.100	-	(V <sub>CCO</sub> /2) - 0.470	(V <sub>CCO</sub> /2) + 0.470	7.0	-7.0

**Notes:**

1. DIFF\_POD10 and DIFF\_POD12 HP I/O bank specifications are shown in [Table 20](#), [Table 21](#), and [Table 22](#).
2. V<sub>ICM</sub> is the input common mode voltage.
3. V<sub>ID</sub> is the input differential voltage.
4. V<sub>OL</sub> is the single-ended low-output voltage.
5. V<sub>OH</sub> is the single-ended high-output voltage.

**Table 20: DC Input Levels for Differential POD10 and POD12 I/O Standards**

I/O Standard <sup>1,2</sup>	V <sub>ICM</sub> (V)			V <sub>ID</sub> (V)	
	Min	Typ	Max	Min	Max
DIFF_POD10	0.63	0.70	0.77	0.14	-
DIFF_POD12	0.76	0.84	0.92	0.16	-

**Notes:**

1. Tested according to relevant specifications.
2. Standards specified using the default I/O standard configuration. For details, see the *UltraScale Architecture SelectIO Resources User Guide* ([UG571](#)).

**Table 21: DC Output Levels for Single-ended and Differential POD10 and POD12 Standards**

Symbol	Description <sup>1,2</sup>	V <sub>OUT</sub>	Min	Typ	Max	Units
R <sub>OL</sub>	Pull-down resistance	V <sub>OM,DC</sub> (as described in <a href="#">Table 22</a> )	36	40	44	Ω
R <sub>OH</sub>	Pull-up resistance	V <sub>OM,DC</sub> (as described in <a href="#">Table 22</a> )	36	40	44	Ω

**Notes:**

1. Tested according to relevant specifications.
2. Standards specified using the default I/O standard configuration. For details, see the *UltraScale Architecture SelectIO Resources User Guide* ([UG571](#)).

**Table 22: Definitions for DC Output Levels for Single-ended and Differential POD10 and POD12 Standards**

Symbol	Description	All Speed Grades	Units
V <sub>OM,DC</sub>	DC output Mid measurement level (for IV curve linearity)	0.8 × V <sub>CCO</sub>	V



## LVDS DC Specifications (LVDS\_25)

The LVDS\_25 standard is available in the HD I/O banks. See the *UltraScale Architecture SelectIO Resources User Guide* (UG571) for more information.

Table 23: LVDS\_25 DC Specifications

Symbol	DC Parameter	Min	Typ	Max	Units
$V_{CCO}$	Supply voltage	2.375	2.500	2.625	V
$V_{IDIFF}$	Differential input voltage: (Q - $\bar{Q}$ ), Q = High ( $\bar{Q}$ - Q), $\bar{Q}$ = High	100	350	600	mV
$V_{ICM}$	Input common-mode voltage	0.300	1.200	1.425	V

**Notes:**

1. LVDS\_25 in HD I/O banks supports inputs only. LVDS\_25 inputs without internal termination have no  $V_{CCO}$  requirements. Any  $V_{CCO}$  can be chosen as long as the input voltage levels do not violate the *Recommended Operating Condition* (Table 2) specification for the  $V_{IN}$  I/O pin voltage.
2. Maximum  $V_{IDIFF}$  value is specified for the maximum  $V_{ICM}$  specification. With a lower  $V_{ICM}$ , a higher  $V_{DIFF}$  is tolerated only when the recommended operating conditions and overshoot/undershoot  $V_{IN}$  specifications are maintained.

## LVDS DC Specifications (LVDS)

The LVDS standard is available in the HP I/O banks. See the *UltraScale Architecture SelectIO Resources User Guide* (UG571) for more information.

Table 24: LVDS DC Specifications

Symbol	DC Parameter	Conditions	Min	Typ	Max	Units
$V_{CCO}^1$	Supply voltage		1.710	1.800	1.890	V
$V_{ODIFF}^2$	Differential output voltage: (Q - $\bar{Q}$ ), Q = High ( $\bar{Q}$ - Q), $\bar{Q}$ = High	$R_T = 100\Omega$ across Q and $\bar{Q}$ signals	247	350	454	mV
$V_{OCM}^2$	Output common-mode voltage	$R_T = 100\Omega$ across Q and $\bar{Q}$ signals	1.000	1.250	1.425	V
$V_{IDIFF}^3$	Differential input voltage: (Q - $\bar{Q}$ ), Q = High ( $\bar{Q}$ - Q), $\bar{Q}$ = High		100	350	600 <sup>3</sup>	mV
$V_{ICM\_DC}^4$	Input common-mode voltage (DC coupling)		0.300	1.200	1.425	V
$V_{ICM\_AC}^5$	Input common-mode voltage (AC coupling)		0.600	-	1.100	V

**Notes:**

1. In HP I/O banks, when LVDS is used with input-only functionality, it can be placed in a bank where the  $V_{CCO}$  levels are different from the specified level only if internal differential termination is not used. In this scenario,  $V_{CCO}$  must be chosen to ensure the input pin voltage levels do not violate the *Recommended Operating Condition* (Table 2) specification for the  $V_{IN}$  I/O pin voltage.
2.  $V_{OCM}$  and  $V_{ODIFF}$  values are for LVDS\_PRE\_EMPHASIS = FALSE.
3. Maximum  $V_{IDIFF}$  value is specified for the maximum  $V_{ICM}$  specification. With a lower  $V_{ICM}$ , a higher  $V_{DIFF}$  is tolerated only when the recommended operating conditions and overshoot/undershoot  $V_{IN}$  specifications are maintained.
4. Input common mode voltage for DC coupled configurations. EQUALIZATION = EQ\_NONE (Default).
5. External input common mode voltage specification for AC coupled configurations. EQUALIZATION = EQ\_LEVEL0, EQ\_LEVEL1, EQ\_LEVEL2, EQ\_LEVEL3, EQ\_LEVEL4.

## AC Switching Characteristics

All values represented in this data sheet are based on the speed specifications in the Vivado® Design Suite as outlined in the following table.

Table 25: Speed Specification Version By Device

2022.1	Device
1.29	XCZU21DR, XCZU25DR, XCZU27DR, XCZU28DR, XCZU29DR, XCZU39DR XQZU21DR, XQZU28DR, XQZU29DR
1.30	XCZU42DR, XCZU65DR, XCZU67DR XQZU65DR, XQZU67DR
1.32	XCZU43DR, XCZU46DR, XCZU47DR, XCZU48DR, XCZU49DR XQZU48DR, XQZU49DR

Switching characteristics are specified on a per-speed-grade basis and can be designated as Advance, Preliminary, or Production. Each designation is defined as follows:

- **Advance Product Specification:** These specifications are based on simulations only and are typically available soon after device design specifications are frozen. Although speed grades with this designation are considered relatively stable and conservative, some under-reporting might still occur.
- **Preliminary Product Specification:** These specifications are based on complete ES (engineering sample) silicon characterization. Devices and speed grades with this designation are intended to give a better indication of the expected performance of production silicon. The probability of under-reporting delays is greatly reduced as compared to Advance data.
- **Product Specification:** These specifications are released once enough production silicon of a particular device family member has been characterized to provide full correlation between specifications and devices over numerous production lots. There is no under-reporting of delays, and customers receive formal notification of any subsequent changes. Typically, the slowest speed grades transition to production before faster speed grades.

## Testing of AC Switching Characteristics

Internal timing parameters are derived from measuring internal test patterns. All AC switching characteristics are representative of worst-case supply voltage and junction temperature conditions.

For more specific, more precise, and worst-case guaranteed data, use the values reported by the static timing analyzer and back-annotate to the simulation net list. Unless otherwise noted, values apply to all Zynq UltraScale+ RFSocs.

## Speed Grade Designations

Since individual family members are produced at different times, the migration from one category to another depends completely on the status of the fabrication process for each device. [Table 26](#) correlates the current status of the Zynq UltraScale+ RFSoc on a per speed grade basis. See [Table 3](#) for operating voltages listed by speed grade.

Table 26: Speed Grade Designations by Device

Device	Speed Grade, Temperature Ranges, and V <sub>CCINT</sub> Operating Voltages		
	Advance	Preliminary	Production
XCZU21DR			-2E (V <sub>CCINT</sub> = 0.85V), -2I (V <sub>CCINT</sub> = 0.85V), -2LE (V <sub>CCINT</sub> = 0.85V) <sup>1</sup> , -1E (V <sub>CCINT</sub> = 0.85V), -1I (V <sub>CCINT</sub> = 0.85V), -1LI (V <sub>CCINT</sub> = 0.85V) <sup>1</sup> , -2LE (V <sub>CCINT</sub> = 0.72V) <sup>2</sup> , -2LI (V <sub>CCINT</sub> = 0.72V) <sup>2</sup> , -1LI (V <sub>CCINT</sub> = 0.72V) <sup>2</sup>
XCZU25DR			-2E (V <sub>CCINT</sub> = 0.85V), -2I (V <sub>CCINT</sub> = 0.85V), -2LE (V <sub>CCINT</sub> = 0.85V) <sup>1</sup> , -1E (V <sub>CCINT</sub> = 0.85V), -1I (V <sub>CCINT</sub> = 0.85V), -1LI (V <sub>CCINT</sub> = 0.85V) <sup>1</sup> , -2LE (V <sub>CCINT</sub> = 0.72V) <sup>2</sup> , -2LI (V <sub>CCINT</sub> = 0.72V) <sup>2</sup> , -1LI (V <sub>CCINT</sub> = 0.72V) <sup>2</sup>
XCZU27DR			-2E (V <sub>CCINT</sub> = 0.85V), -2I (V <sub>CCINT</sub> = 0.85V), -2LE (V <sub>CCINT</sub> = 0.85V) <sup>1</sup> , -1E (V <sub>CCINT</sub> = 0.85V), -1I (V <sub>CCINT</sub> = 0.85V), -1LI (V <sub>CCINT</sub> = 0.85V) <sup>1</sup> , -2LE (V <sub>CCINT</sub> = 0.72V) <sup>2</sup> , -2LI (V <sub>CCINT</sub> = 0.72V) <sup>2</sup> , -1LI (V <sub>CCINT</sub> = 0.72V) <sup>2</sup>
XCZU28DR			-2E (V <sub>CCINT</sub> = 0.85V), -2I (V <sub>CCINT</sub> = 0.85V), -2LE (V <sub>CCINT</sub> = 0.85V) <sup>1</sup> , -1E (V <sub>CCINT</sub> = 0.85V), -1I (V <sub>CCINT</sub> = 0.85V), -1LI (V <sub>CCINT</sub> = 0.85V) <sup>1</sup> , -2LE (V <sub>CCINT</sub> = 0.72V) <sup>2</sup> , -2LI (V <sub>CCINT</sub> = 0.72V) <sup>2</sup> , -1LI (V <sub>CCINT</sub> = 0.72V) <sup>2</sup>
XCZU29DR			-2E (V <sub>CCINT</sub> = 0.85V), -2I (V <sub>CCINT</sub> = 0.85V), -2LE (V <sub>CCINT</sub> = 0.85V) <sup>1</sup> , -1E (V <sub>CCINT</sub> = 0.85V), -1I (V <sub>CCINT</sub> = 0.85V), -1LI (V <sub>CCINT</sub> = 0.85V) <sup>1</sup> , -2LE (V <sub>CCINT</sub> = 0.72V) <sup>2</sup> , -2LI (V <sub>CCINT</sub> = 0.72V) <sup>2</sup> , -1LI (V <sub>CCINT</sub> = 0.72V) <sup>2</sup>
XCZU39DR			-2I (V <sub>CCINT</sub> = 0.85V) -2LI (V <sub>CCINT</sub> = 0.72V) <sup>2</sup>
XQZU21DR			-2I (V <sub>CCINT</sub> = 0.85V), -1I (V <sub>CCINT</sub> = 0.85V), -1LI (V <sub>CCINT</sub> = 0.85V) <sup>1</sup> , -1M (V <sub>CCINT</sub> = 0.85V), -1LI (V <sub>CCINT</sub> = 0.72V) <sup>2</sup>
XQZU28DR			-2I (V <sub>CCINT</sub> = 0.85V), -1I (V <sub>CCINT</sub> = 0.85V), -1LI (V <sub>CCINT</sub> = 0.85V) <sup>1</sup> , -1M (V <sub>CCINT</sub> = 0.85V), -1LI (V <sub>CCINT</sub> = 0.72V) <sup>2</sup>
XQZU29DR			-2I (V <sub>CCINT</sub> = 0.85V), -1I (V <sub>CCINT</sub> = 0.85V), -1LI (V <sub>CCINT</sub> = 0.85V) <sup>1</sup> , -1M (V <sub>CCINT</sub> = 0.85V), -1LI (V <sub>CCINT</sub> = 0.72V) <sup>2</sup>
XCZU42DR			-2E (V <sub>CCINT</sub> = 0.85V), -2I (V <sub>CCINT</sub> = 0.85V), -1E (V <sub>CCINT</sub> = 0.85V), -1I (V <sub>CCINT</sub> = 0.85V), -2LI (V <sub>CCINT</sub> = 0.72V) <sup>2</sup> , -1LI (V <sub>CCINT</sub> = 0.72V) <sup>2</sup>
XCZU43DR			-2E (V <sub>CCINT</sub> = 0.85V), -2I (V <sub>CCINT</sub> = 0.85V), -1E (V <sub>CCINT</sub> = 0.85V), -1I (V <sub>CCINT</sub> = 0.85V), -2LI (V <sub>CCINT</sub> = 0.72V) <sup>2</sup> , -1LI (V <sub>CCINT</sub> = 0.72V) <sup>2</sup>
XCZU46DR			-2E (V <sub>CCINT</sub> = 0.85V), -2I (V <sub>CCINT</sub> = 0.85V), -1E (V <sub>CCINT</sub> = 0.85V), -1I (V <sub>CCINT</sub> = 0.85V), -2LI (V <sub>CCINT</sub> = 0.72V) <sup>2</sup> , -1LI (V <sub>CCINT</sub> = 0.72V) <sup>2</sup>
XCZU47DR			-2E (V <sub>CCINT</sub> = 0.85V), -2I (V <sub>CCINT</sub> = 0.85V), -1E (V <sub>CCINT</sub> = 0.85V), -1I (V <sub>CCINT</sub> = 0.85V), -2LI (V <sub>CCINT</sub> = 0.72V) <sup>2</sup> , -1LI (V <sub>CCINT</sub> = 0.72V) <sup>2</sup>
XCZU48DR			-2E (V <sub>CCINT</sub> = 0.85V), -2I (V <sub>CCINT</sub> = 0.85V), -1E (V <sub>CCINT</sub> = 0.85V), -1I (V <sub>CCINT</sub> = 0.85V), -2LI (V <sub>CCINT</sub> = 0.72V) <sup>2</sup> , -1LI (V <sub>CCINT</sub> = 0.72V) <sup>2</sup>
XCZU49DR			-2E (V <sub>CCINT</sub> = 0.85V), -2I (V <sub>CCINT</sub> = 0.85V), -1E (V <sub>CCINT</sub> = 0.85V), -1I (V <sub>CCINT</sub> = 0.85V), -2LI (V <sub>CCINT</sub> = 0.72V) <sup>2</sup> , -1LI (V <sub>CCINT</sub> = 0.72V) <sup>2</sup>
XQZU48DR			-2I (V <sub>CCINT</sub> = 0.85V), -1I (V <sub>CCINT</sub> = 0.85V), -1M (V <sub>CCINT</sub> = 0.85V), -2LI (V <sub>CCINT</sub> = 0.72V) <sup>2</sup> , -1LI (V <sub>CCINT</sub> = 0.72V) <sup>2</sup>

Table 26: Speed Grade Designations by Device (cont'd)

Device	Speed Grade, Temperature Ranges, and V <sub>CCINT</sub> Operating Voltages		
	Advance	Preliminary	Production
XQZU49DR			-2I (V <sub>CCINT</sub> = 0.85V), -1I (V <sub>CCINT</sub> = 0.85V), -1M (V <sub>CCINT</sub> = 0.85V), -2LI (V <sub>CCINT</sub> = 0.72V) <sup>2</sup> , -1LI (V <sub>CCINT</sub> = 0.72V) <sup>2</sup>
XCZU65DR			-2I (V <sub>CCINT</sub> = 0.85V), -1I (V <sub>CCINT</sub> = 0.85V), -2LI (V <sub>CCINT</sub> = 0.72V) <sup>2</sup> , -1LI (V <sub>CCINT</sub> = 0.72V) <sup>2</sup>
XCZU67DR			-2I (V <sub>CCINT</sub> = 0.85V), -1I (V <sub>CCINT</sub> = 0.85V), -2LI (V <sub>CCINT</sub> = 0.72V) <sup>2</sup> , -1LI (V <sub>CCINT</sub> = 0.72V) <sup>2</sup>
XQZU65DR			-2I (V <sub>CCINT</sub> = 0.85V), -1I (V <sub>CCINT</sub> = 0.85V), -1M (V <sub>CCINT</sub> = 0.85V), -2LI (V <sub>CCINT</sub> = 0.72V) <sup>2</sup> , -1LI (V <sub>CCINT</sub> = 0.72V) <sup>2</sup>
XQZU67DR			-2I (V <sub>CCINT</sub> = 0.85V), -1I (V <sub>CCINT</sub> = 0.85V), -1M (V <sub>CCINT</sub> = 0.85V), -2LI (V <sub>CCINT</sub> = 0.72V) <sup>2</sup> , -1LI (V <sub>CCINT</sub> = 0.72V) <sup>2</sup>

**Notes:**

1. The low power -1LI and -2LE devices, where V<sub>CCINT</sub> = 0.85V, are listed in the Vivado Design Suite as -1L and -2L respectively.
2. The lowest power -1LI, -2LE, and -2LI devices, where V<sub>CCINT</sub> = 0.72V, are listed in the Vivado Design Suite as -1LV, -2LV, and -2LVI, respectively.

## Production Silicon and Software Status

In some cases, a particular family member (and speed grade) is released to production before a speed specification is released with the correct label (Advance, Preliminary, Production). Any labeling discrepancies are corrected in subsequent speed specification releases.

Table 27 lists the production released Zynq UltraScale+ RFSoc, speed grade, and the minimum corresponding supported speed specification version and Vivado software revisions. The Vivado software and speed specifications listed are the minimum releases required for production. All subsequent releases of software and speed specifications are valid.

**Table 27: Zynq UltraScale+ RFSoc Device Production Software and Speed Specification Release**

Device	Speed Grade and V <sub>CCINT</sub> Operating Voltages <sup>1</sup>							
	0.85V				0.72V			
	-2	-1	-1M	-2LE	-1LI	-2LE	-2LI	-1LI
XCZU21DR	Vivado tools 2018.2 v1.20		N/A	Vivado tools 2018.2 v1.20	Vivado tools 2018.2.1 v1.21	Vivado tools 2018.2 v1.20	Vivado tools 2018.2.1 v1.21	Vivado tools 2018.2.1 v1.21
XCZU25DR	Vivado tools 2018.2 v1.20		N/A	Vivado tools 2018.2 v1.20	Vivado tools 2018.2.1 v1.21	Vivado tools 2018.2 v1.20	Vivado tools 2018.2.1 v1.21	Vivado tools 2018.2.1 v1.21
XCZU27DR	Vivado tools 2018.2 v1.20		N/A	Vivado tools 2018.2 v1.20	Vivado tools 2018.2.1 v1.21	Vivado tools 2018.2 v1.20	Vivado tools 2018.2.1 v1.21	Vivado tools 2018.2.1 v1.21
XCZU28DR	Vivado tools 2018.2 v1.20		N/A	Vivado tools 2018.2 v1.20	Vivado tools 2018.2.1 v1.21	Vivado tools 2018.2 v1.20	Vivado tools 2018.2.1 v1.21	Vivado tools 2018.2.1 v1.21
XCZU29DR	Vivado tools 2018.2 v1.20		N/A	Vivado tools 2018.2 v1.20	Vivado tools 2018.2.1 v1.21	Vivado tools 2018.2 v1.20	Vivado tools 2018.2.1 v1.21	Vivado tools 2018.2.1 v1.21
XCZU39DR	Vivado tools 2019.1 v1.23	N/A	N/A	N/A	N/A	N/A	Vivado tools 2019.1 v1.23	N/A
XQZU21DR	Vivado tools 2018.3 v1.23		Vivado tools 2018.3 v1.23	N/A	Vivado tools 2018.3 v1.23	N/A	N/A	Vivado tools 2018.3 v1.23
XQZU28DR	Vivado tools 2018.3 v1.23		Vivado tools 2018.3 v1.23	N/A	Vivado tools 2018.3 v1.23	N/A	N/A	Vivado tools 2018.3 v1.23
XQZU29DR	Vivado tools 2018.3.1 v1.23		Vivado tools 2018.3.1 v1.23	N/A	Vivado tools 2018.3.1 v1.23	N/A	N/A	Vivado tools 2018.3.1 v1.23
XCZU42DR	Vivado tools 2021.2.1 v1.29		N/A	N/A	N/A	N/A	Vivado tools 2021.2.1 v1.29	
XCZU43DR	Vivado tools 2020.2 v1.30		N/A	N/A	N/A	N/A	Vivado tools 2020.2 v1.30	
XCZU46DR	Vivado tools 2020.2 v1.30		N/A	N/A	N/A	N/A	Vivado tools 2020.2 v1.30	
XCZU47DR	Vivado tools 2020.2 v1.30		N/A	N/A	N/A	N/A	Vivado tools 2020.2 v1.30	
XCZU48DR	Vivado tools 2020.2 v1.30		N/A	N/A	N/A	N/A	Vivado tools 2020.2 v1.30	
XCZU49DR	Vivado tools 2020.2 v1.30		N/A	N/A	N/A	N/A	Vivado tools 2020.2 v1.30	
XQZU48DR	Vivado tools 2020.2.2 v1.32			N/A	N/A	N/A	Vivado tools 2020.2.2 v1.32	
XQZU49DR	Vivado tools 2020.2.2 v1.32			N/A	N/A	N/A	Vivado tools 2020.2.2 v1.32	
XCZU65DR	Vivado tools 2021.2.1 v1.29		N/A	N/A	N/A	N/A	Vivado tools 2021.2.1 v1.29	
XCZU67DR	Vivado tools 2021.2.1 v1.29		N/A	N/A	N/A	N/A	Vivado tools 2021.2.1 v1.29	
XQZU65DR	Vivado tools 2021.2.2 v1.30			N/A	N/A	N/A	Vivado tools 2021.2.2 v1.30	
XQZU67DR	Vivado tools 2021.2.2 v1.30			N/A	N/A	N/A	Vivado tools 2021.2.2 v1.30	

**Notes:**

1. See [Table 3](#) for the complete list of operating voltages by speed grade.

# Processor System (PS) Performance Characteristics

Table 28: Processor Performance

Symbol	Description	Speed Grade		Units
		-2	-1	
F <sub>APUMAX</sub>	Maximum APU clock frequency	1333	1200	MHz
F <sub>RPUMAX</sub>	Maximum RPU clock frequency	533	500	MHz

Table 29: Configuration and Security Unit Performance

Symbol	Description	Speed Grade		Units
		-2	-1	
F <sub>CSUCIBMAX</sub>	Maximum CSU crypto interface block frequency	400	400	MHz

Table 30: PS DDR Performance

Memory Standard	DRAM Type	Speed Grade				Units
		-2E/-2LE -1E		-2I/-2LI -1I/-1M/-1LI		
		Min	Max	Min	Max	
DDR4 <sup>4</sup>	Single rank component	664	2400	1000	2400	Mb/s
	1 rank DIMM <sup>1,2</sup>	664	2133	1000	2133	Mb/s
	2 rank DIMM <sup>1,3</sup>	664	1866	1000	1866	Mb/s
LPDDR4 <sup>5</sup>	Single rank package <sup>6,7</sup>	664	2400	1000	2400	Mb/s
	Dual rank package <sup>6,7</sup>	664	2133	1000	2133	Mb/s
DDR3	Single rank component	664	2133	1000	2133	Mb/s
	1 rank DIMM <sup>1,2</sup>	664	1866	1000	1866	Mb/s
	2 rank DIMM <sup>1,3</sup>	664	1600	1000	1600	Mb/s
DDR3L	Single rank component	664	1866	1000	1866	Mb/s
	1 rank DIMM <sup>1,2</sup>	664	1600	1000	1600	Mb/s
	2 rank DIMM <sup>1,3</sup>	664	1333	1000	1333	Mb/s
LPDDR3 <sup>9</sup>	Single die package <sup>8</sup>	664	1600	1000	1600	Mb/s
	Dual die package <sup>8</sup>	664	1333	1000	1333	Mb/s

**Notes:**

- Dual in-line memory module (DIMM) includes RDIMM, SODIMM, and UDIMM.
- Includes: 1 rank 1 slot, dual-die package 2 rank.
- Includes: 2 rank 1 slot.
- The JEDEC JESD79-4B standard for DDR4 SDRAM limits the maximum  $t_{CK}$  to 1.6 ns. Because of this limitation, Xilinx recommends working with your DRAM vendor to verify support for data rates at or less than 1066 Mb/s.
- Byte-mode LPDDR4 devices are not supported.
- LPDDR4 single die package with ECC is limited to the performance specified for the LPDDR4 dual die package.
- LPDDR4 support is only available as a 32-bit interface.
- 64-bit LPDDR3 interface performance values are defined without ECC support.
- LPDDR3 quad die package devices are not supported.

**Table 31: PS NAND NV-DDR Synchronous Performance**

Memory Standard	Mode	Speed Grade		Units
		-2	-1	
		Max	Max	
NV-DDR <sup>1</sup>	5	200	200	Mb/s
	4	166.6	166.6	Mb/s
	3	133.3	133.3	Mb/s
	2	100	100	Mb/s
	1	66.6	66.6	Mb/s
	0	40	40	Mb/s

**Notes:**

1. The PS NAND memory controller interface for NV-DDR switching characteristics meets the requirements of the ONFI 3.1 specification.

**Table 32: PS NAND SDR Asynchronous Performance**

Memory Standard	Mode	Speed Grade		Units
		-2	-1	
		Max	Max	
SDR <sup>1,2</sup>	5	50	50	Mb/s
	4	40	40	Mb/s
	3	33.3	33.3	Mb/s
	2	28.5	28.5	Mb/s
	1	20	20	Mb/s
	0	10	10	Mb/s

**Notes:**

1. The PS NAND memory controller interface for SDR switching characteristics meets the requirements of the ONFI 3.1 specification.
2. The NAND controller reference clock frequency maximum is 83 MHz.

**Table 33: PS-PL Interface Performance**

Symbol	Description	Min	Max	Units
F <sub>EMIOGEMCLK</sub>	EMIO gigabit Ethernet controller maximum frequency	-	125	MHz
F <sub>EMIOSDCLK</sub>	EMIO SD controller maximum frequency	-	25	MHz
F <sub>EMIOSPICLK</sub>	EMIO SPI controller maximum frequency	-	25	MHz
F <sub>EMIOTRACECLK</sub>	EMIO trace controller maximum frequency	-	125	MHz
F <sub>FCIDMACLK</sub>	Flow control interface DMA maximum frequency	-	333	MHz
F <sub>AXICLK</sub>	Maximum AXI interface performance	-	333	MHz
F <sub>DPLIVEVIDEO</sub>	DisplayPort controller live video interface maximum frequency	-	300	MHz

# PS Switching Characteristics

## PS Clocks

Table 34: PS Reference Clock Requirements

Symbol	Description <sup>1</sup>	Min	Typ	Max	Units
T <sub>RMSJPSCLK</sub>	PS_REF_CLK input RMS clock jitter	-	-	3	ps
T <sub>PJPSCLK</sub>	PS_REF_CLK input period jitter (peak-to-peak) Number of clock cycles = 10,000	-	-	50	ps
T <sub>DCPSCLK</sub>	PS_REF_CLK duty cycle	45	-	55	%
T <sub>RFPSClk</sub>	PS_REF_CLK rise time (20%–80%) and fall time (80%–20%)	-	-	2.22	ns
F <sub>PSCLK</sub>	PS_REF_CLK frequency	27	-	60	MHz

**Notes:**

- The values in this table are applicable to alternative PS reference clock inputs ALT\_REF\_CLK, AUX\_REF\_CLK, and VIDEO\_CLK.

Table 35: PS RTC Crystal Requirements

Symbol	Description <sup>1</sup>	Min	Typ	Max	Units
F <sub>XTAL</sub>	Parallel resonance crystal frequency	-	32.8	-	KHz
T <sub>FTXTAL</sub>	Frequency tolerance	-20	-	20	ppm
C <sub>XTAL</sub>	Load capacitance for crystal parallel resonance	-	12.5	-	pF
R <sub>ESR</sub>	Crystal ESR (16.8 and 19.2 MHz)	-	70	-	KΩ
C <sub>SHUNT</sub>	Crystal shunt capacitance	-	1.4	-	pF

**Notes:**

- See the crystal circuit example in the *Zynq UltraScale+ Device Technical Reference Manual* (UG1085).

Table 36: PS PLL Switching Characteristics

Symbol	Description	Speed Grade		Units
		-2	-1	
T <sub>LOCKPSPLL</sub>	PLL maximum lock time	100	100	μs
F <sub>PSPLLMAX</sub>	PLL maximum output frequency	1600	1600	MHz
F <sub>PSPLLMIN</sub>	PLL minimum output frequency	750	750	MHz
F <sub>PSPLLVCOMAX</sub>	PLL maximum VCO frequency	3000	3000	MHz
F <sub>PSPLLVCOMIN</sub>	PLL minimum VCO frequency	1500	1500	MHz

Table 37: PS Reset Assertion Timing Requirements

Symbol	Description	Min	Typ	Max	Units
T <sub>PSPOR</sub>	Required PS_POR_B assertion time <sup>1</sup>	10	-	-	μs
T <sub>PSRST</sub>	Required PS_SRST_B assertion time	3	-	-	PS_REF_CLK Clock Cycles

**Notes:**

- PS\_POR\_B must be asserted Low at power-up and continue to be asserted for a duration of T<sub>PSPOR</sub> after all the PS supply voltages reach minimum levels. PS\_POR\_B must be asserted Low for the duration of T<sub>POR,MAX</sub> when the PS and PL power-up at the same time and the application uses both the PS and PL after power-up.



**Table 38: PS Clocks Switching Characteristics**

Symbol	Description	Speed Grade		Units
		-2	-1	
F <sub>TOPSW_MAINMAX</sub>	FPD AXI interconnect clock maximum frequency	533	533	MHz
F <sub>TOPSW_LSBUSMAX</sub>	FPD APB bus clock maximum frequency	100	100	MHz
F <sub>GDMAMAX</sub>	FPD-DMA controller clock maximum frequency	600	600	MHz
F <sub>DPMAMAX</sub>	DisplayPort controller clock maximum frequency	600	600	MHz
F <sub>LPD_SWITCH_CTRLMAX</sub>	LPD AXI interconnect clock maximum frequency	500	500	MHz
F <sub>LPD_LSBUS_CTRLMAX</sub>	LPD APB bus clock maximum frequency	100	100	MHz
F <sub>ADMAMAX</sub>	LPD-DMA maximum frequency	500	500	MHz
F <sub>APLL_TO_LPDMAX</sub>	APLL_TO_LPD maximum frequency	533	533	MHz
F <sub>DPLL_TO_LPDMAX</sub>	DPLL_TO_LPD maximum frequency	533	533	MHz
F <sub>VPLL_TO_LPDMAX</sub>	VPLL_TO_LPD maximum frequency	533	533	MHz
F <sub>IOPLL_TO_FPDMAX</sub>	IOPLL_TO_FPD maximum frequency	533	533	MHz
F <sub>RPPLL_TO_FPDMAX</sub>	RPLL_TO_FPD maximum frequency	533	533	MHz

## PS Configuration

**Table 39: Processor Configuration Access Port Switching Characteristics**

Symbol	Description	Speed Grade and V <sub>CCINT</sub> Operating Voltages				Units
		0.85V		0.72V		
		-2	-1	-2	-1	
F <sub>PCAPCK</sub>	Maximum processor configuration access port (PCAP) frequency	200	200	150	150	MHz

**Table 40: Boundary-Scan Port Switching Characteristics**

Symbol	Description	Speed Grade and V <sub>CCINT</sub> Operating Voltages				Units
		0.85V		0.72V		
		-2	-1	-2	-1	
F <sub>TCK</sub>	JTAG clock maximum frequency	25	25	15	15	MHz
T <sub>TAPTCK</sub> /T <sub>TCKTAP</sub>	TMS and TDI setup and hold	4.0/2.0	4.0/2.0	5.0/2.0	5.0/2.0	ns, Min
T <sub>TCKTDO</sub>	TCK falling edge to TDO output	16.1	16.1	24	24	ns, Max

**Notes:**

1. The test conditions are configured to the LVCMOS 3.3V I/O standard with a 12 mA drive strength.

# PS Interface Specifications

## PS Quad-SPI Controller Interface

Table 41: Generic Quad-SPI Interface

Symbol	Description <sup>1</sup>	Load Conditions <sup>2</sup>	Min	Max	Units
<b>Quad-SPI device clock frequency operating at 150 MHz. Loopback enabled. LVCMOS 1.8V or LVCMOS 3.3V I/O standard.</b>					
T <sub>DCQSPICLK1</sub>	Quad-SPI clock duty cycle	15 pF	45	55	%
T <sub>QSPISSCLK1</sub>	Slave select asserted to next clock edge	15 pF	5.0	–	ns
T <sub>QSPISCLKSS1</sub>	Clock edge to slave select deasserted	15 pF	5.0	–	ns
T <sub>QSPICKO1</sub>	Clock to output delay, all outputs	15 pF	2.9	4.5	ns
T <sub>QSPIDCK1</sub>	Setup time, all inputs	15 pF	0.9	–	ns
T <sub>QSPICKD1</sub>	Hold time, all inputs	15 pF	1.0	–	ns
F <sub>QSPICLK1</sub>	Quad-SPI device clock frequency	15 pF	–	150	MHz
F <sub>QSPIREFCLK1</sub>	Quad-SPI reference clock frequency	15 pF	–	300	MHz
<b>Quad-SPI device clock frequency operating at 100 MHz. Loopback enabled. LVCMOS 1.8V or LVCMOS 3.3V I/O standard.</b>					
T <sub>DCQSPICLK2</sub>	Quad-SPI clock duty cycle	15 pF	45	55	%
		30 pF	45	55	%
T <sub>QSPISSCLK2</sub>	Slave select asserted to next clock edge	15 pF	5.0	–	ns
		30 pF	5.0	–	ns
T <sub>QSPISCLKSS2</sub>	Clock edge to slave select deasserted	15 pF	5.0	–	ns
		30 pF	5.0	–	ns
T <sub>QSPICKO2</sub>	Clock to output delay, all outputs	15 pF	3.2	7.4	ns
		30 pF	3.2	7.4	ns
T <sub>QSPIDCK2</sub>	Setup time, all inputs	15 pF	2.3	–	ns
		30 pF	2.3	–	ns
T <sub>QSPICKD2</sub>	Hold time, all inputs	15 pF	0.0	–	ns
		30 pF	0.0	–	ns
F <sub>QSPICLK2</sub>	Quad-SPI device clock frequency	15 pF	–	100	MHz
		30 pF	–	100	MHz
F <sub>QSPIREFCLK2</sub>	Quad-SPI reference clock frequency	15 pF	–	200	MHz
		30 pF	–	200	MHz
<b>Quad-SPI device clock frequency operating at 40 MHz. Loopback disabled. LVCMOS 1.8V I/O standard.</b>					
T <sub>DCQSPICLK3</sub>	Quad-SPI clock duty cycle	15 pF	45	55	%
		30 pF	45	55	%
T <sub>QSPISSCLK3</sub>	Slave select asserted to next clock edge <sup>3</sup>	15 pF	7.0	–	ns
		30 pF	7.0	–	ns
T <sub>QSPISCLKSS3</sub>	Clock edge to slave select deasserted	15 pF	7.0	–	ns
		30 pF	7.0	–	ns
T <sub>QSPICKO3</sub>	Clock to output delay, all outputs	15 pF	5.2	14.8	ns
		30 pF	5.2	14.8	ns
T <sub>QSPIDCK3</sub>	Setup time, all inputs	15 pF	13.4	–	ns
		30 pF	14.1	–	ns

**Table 41: Generic Quad-SPI Interface (cont'd)**

Symbol	Description <sup>1</sup>	Load Conditions <sup>2</sup>	Min	Max	Units
T <sub>QSPICKD3</sub>	Hold time, all inputs	15 pF	0.0	-	ns
		30 pF	0.0	-	ns
F <sub>QSPIREFCLK3</sub>	Quad-SPI reference clock frequency	15 pF	-	160	MHz
		30 pF	-	160	MHz
F <sub>QSPICLK3</sub>	Quad-SPI clock frequency	15 pF	-	40	MHz
		30 pF	-	40	MHz
<b>Quad-SPI device clock frequency operating at 40 MHz. Loopback disabled. LVCMOS 3.3V I/O standard.</b>					
T <sub>DCQSPICLK4</sub>	Quad-SPI clock duty cycle	15 pF	45	55	%
		30 pF	45	55	%
T <sub>QSPISSCLK4</sub>	Slave select asserted to next clock edge <sup>3</sup>	15 pF	7.0	-	ns
		30 pF	7.0	-	ns
T <sub>QSPISCLKSS4</sub>	Clock edge to slave select deasserted	15 pF	7.0	-	ns
		30 pF	7.0	-	ns
T <sub>QSPICKO4</sub>	Clock to output delay, all outputs	15 pF	5.2	14.8	ns
		30 pF	5.2	14.8	ns
T <sub>QSPIDCK4</sub>	Setup time, all inputs	15 pF	13.9	-	ns
		30 pF	14.9	-	ns
T <sub>QSPICKD4</sub>	Hold time, all inputs	15 pF	0.0	-	ns
		30 pF	0.0	-	ns
F <sub>QSPIREFCLK4</sub>	Quad-SPI reference clock frequency	15 pF	-	160	MHz
		30 pF	-	160	MHz
F <sub>QSPICLK4</sub>	Quad-SPI clock frequency	15 pF	-	40	MHz
		30 pF	-	40	MHz

**Notes:**

1. The test conditions are configured for the generic Quad-SPI interface at 150/100 MHz with a 12 mA drive strength and fast slew rate.
2. 30 pF loads are for dual-parallel stacked or stacked modes.
3. T<sub>QSPISSCLK3</sub> and T<sub>QSPISSCLK4</sub> are only valid when two reference clock cycles are programmed between the chip select and clock.

**Table 42: Linear Quad-SPI Interface**

Symbol	Description <sup>1</sup>	Load Conditions <sup>2</sup>	Min	Max	Units
<b>Quad-SPI device clock frequency operating at 100 MHz. Loopback enabled. LVCMOS 1.8V or LVCMOS 3.3V I/O standard.</b>					
T <sub>DCQSPICLK5</sub>	Quad-SPI clock duty cycle	15 pF	45	55	%
		30 pF	45	55	%
T <sub>QSPISSCLK5</sub>	Slave select asserted to next clock edge <sup>3</sup>	15 pF	5.0	-	ns
		30 pF	5.0	-	ns
T <sub>QSPISCLKSS5</sub>	Clock edge to slave select deasserted	15 pF	5.0	-	ns
		30 pF	5.0	-	ns
T <sub>QSPICKO5</sub>	Clock to output delay, all outputs	15 pF	3.2	7.4	ns
		30 pF	3.2	7.4	ns
T <sub>QSPIDCK5</sub>	Setup time, all inputs	15 pF	2.4	-	ns
		30 pF	2.4	-	ns

Table 42: Linear Quad-SPI Interface (cont'd)

Symbol	Description <sup>1</sup>	Load Conditions <sup>2</sup>	Min	Max	Units
T <sub>QSPICKD5</sub>	Hold time, all inputs	15 pF	0.0	-	ns
		30 pF	0.0	-	ns
F <sub>QSPIREFCLK5</sub>	Quad-SPI reference clock frequency	15 pF	-	200	MHz
		30 pF	-	200	MHz
F <sub>QSPICLK5</sub>	Quad-SPI device clock frequency	15 pF	-	100	MHz
		30 pF	-	100	MHz
<b>Quad-SPI device clock frequency operating at 40 MHz. Loopback disabled. LVCMOS 1.8V I/O standard.</b>					
T <sub>DCQSPICLK6</sub>	Quad-SPI clock duty cycle	15 pF	45	55	%
		30 pF	45	55	%
T <sub>QSPISSCLK6</sub>	Slave select asserted to next clock edge	15 pF	7.0	-	ns
		30 pF	7.0	-	ns
T <sub>QSPISCLKSS6</sub>	Clock edge to slave select deasserted	15 pF	7.0	-	ns
		30 pF	7.0	-	ns
T <sub>QSPICKO6</sub>	Clock to output delay, all outputs	15 pF	5.2	14.8	ns
		30 pF	5.2	14.8	ns
T <sub>QSPIDCK6</sub>	Setup time, all inputs	15 pF	13.4	-	ns
		30 pF	13.4	-	ns
T <sub>QSPICKD6</sub>	Hold time, all inputs	15 pF	0.0	-	ns
		30 pF	0.0	-	ns
F <sub>QSPIREFCLK6</sub>	Quad-SPI reference clock frequency	15 pF	-	160	MHz
		30 pF	-	160	MHz
F <sub>QSPICLK6</sub>	Quad-SPI device clock frequency	15 pF	-	40	MHz
		30 pF	-	40	MHz
<b>Quad-SPI device clock frequency operating at 40 MHz. Loopback disabled. LVCMOS 3.3V I/O standard.</b>					
T <sub>DCQSPICLK7</sub>	Quad-SPI clock duty cycle	15 pF	45	55	%
		30 pF	45	55	%
T <sub>QSPISSCLK7</sub>	Slave select asserted to next clock edge	15 pF	7.0	-	ns
		30 pF	7.0	-	ns
T <sub>QSPISCLKSS7</sub>	Clock edge to slave select deasserted	15 pF	7.0	-	ns
		30 pF	7.0	-	ns
T <sub>QSPICKO7</sub>	Clock to output delay, all outputs	15 pF	5.2	14.8	ns
		30 pF	5.2	14.8	ns
T <sub>QSPIDCK7</sub>	Setup time, all inputs	15 pF	14.0	-	ns
		30 pF	14.0	-	ns
T <sub>QSPICKD7</sub>	Hold time, all inputs	15 pF	0.0	-	ns
		30 pF	0.0	-	ns
F <sub>QSPIREFCLK7</sub>	Quad-SPI reference clock frequency	15 pF	-	160	MHz
		30 pF	-	160	MHz

Table 42: Linear Quad-SPI Interface (cont'd)

Symbol	Description <sup>1</sup>	Load Conditions <sup>2</sup>	Min	Max	Units
F <sub>QSPICLK7</sub>	Quad-SPI device clock frequency	15 pF	-	40	MHz
		30 pF	-	40	MHz

**Notes:**

1. The test conditions are configured for the linear Quad-SPI interface at 100 MHz with a 12 mA drive strength and fast slew rate.
2. 30 pF loads are for stacked modes.
3. T<sub>QSPISSCLK5</sub> is only valid when two reference clock cycles are programmed between chip select and clock.

## PS USB Interface

Table 43: ULPI Interface

Symbol	Description <sup>1</sup>	Min	Max	Units
T <sub>ULPIDCK</sub>	Input setup to ULPI clock, all inputs	4.5	-	ns
T <sub>ULPICKD</sub>	Input hold to ULPI clock, all inputs	0	-	ns
T <sub>ULPICKO</sub>	ULPI clock to output valid, all outputs	2.0	8.86	ns
F <sub>ULPICLK</sub>	ULPI reference clock frequency	-	60	MHz

**Notes:**

1. The test conditions are configured to the LVCMOS 3.3V I/O standard with a 12 mA drive strength, fast slew rate, and a 15 pF load.

## PS Gigabit Ethernet Controller Interface

Table 44: RGMII Interface

Symbol	Description <sup>1</sup>	Min	Max	Units
T <sub>DCGEMTXCLK</sub>	Transmit clock duty cycle	45	55	%
T <sub>GEMTXCKO</sub>	TXD output clock to out time	-0.5	0.5	ns
T <sub>GEMRXDCK</sub>	RXD input setup time	0.8	-	ns
T <sub>GEMRXCKD</sub>	RXD input hold time	0.8	-	ns
T <sub>MDIOCLK</sub>	MDC output clock period	400	-	ns
T <sub>MDIOCKL</sub>	MDC low time	160	-	ns
T <sub>MDIOCKH</sub>	MDC high time	160	-	ns
T <sub>MDIODCK</sub>	MDIO input data setup time	80	-	ns
T <sub>MDIOCKD</sub>	MDIO input data hold time	0.0	-	ns
T <sub>MDIOCKO</sub>	MDIO output data delay time	-1.0	15	ns
F <sub>GETXCLK</sub>	RGMII_TX_CLK transmit clock frequency	-	125	MHz
F <sub>GERXCLK</sub>	RGMII_RX_CLK receive clock frequency	-	125	MHz
F <sub>ENET_REF_CLK</sub>	Ethernet reference clock frequency	-	125	MHz

**Notes:**

1. The test conditions are configured to the LVCMOS 2.5V I/O standard with a 12 mA drive strength, fast slew rate, and a 15 pF load.

## PS SD/SDIO Controller Interface

Table 45: SD/SDIO Interface

Symbol	Description <sup>1</sup>	Min	Max	Units
<b>SD/SDIO Interface DDR50 Mode</b>				
T <sub>DCDDRCLK</sub>	SD device clock duty cycle	45	55	%
T <sub>SDDDRCKO1</sub>	Clock to output delay, data <sup>2</sup>	1.0	6.8	ns
T <sub>SDDDRIVW</sub>	Input valid data window <sup>3</sup>	3.5	-	ns
T <sub>SDDDRDCK2</sub>	Input setup time, command	4.7	-	ns
T <sub>SDDDRCKD2</sub>	Input hold time, command	1.5	-	ns
T <sub>SDDDRCKO2</sub>	Clock to output delay, command	1.0	13.8	ns
F <sub>SDDDRCLK</sub>	High-speed mode SD device clock frequency	-	50	MHz
<b>SD/SDIO Interface SDR104</b>				
T <sub>DCSDHCLK1</sub>	SD device clock duty cycle	40	60	%
T <sub>SDSDRCKO1</sub>	Clock to output delay, all output <sup>2</sup>	1.0	3.2	ns
T <sub>SDSDR1VW</sub>	Input valid data window <sup>3</sup>	0.5	-	UI
F <sub>SDSDRCLK1</sub>	SDR104 mode device clock frequency	-	200	MHz
<b>SD/SDIO Interface SDR50/25</b>				
T <sub>DCSDHCLK2</sub>	SD device clock duty cycle	40	60	%
T <sub>SDSDRCKO2</sub>	Clock to output delay, all outputs <sup>2</sup>	1.0	6.8	ns
T <sub>SDSDR2VW</sub>	Input valid data window <sup>3</sup>	0.3	-	UI
F <sub>SDSDRCLK2</sub>	SDR50 mode device clock frequency	-	100	MHz
	SDR25 mode device clock frequency	-	50	MHz
<b>SD/SDIO Interface SDR12</b>				
T <sub>DCSDHCLK3</sub>	SD device clock duty cycle	40	60	%
T <sub>SDSDRCKO3</sub>	Clock to output delay, all outputs	1.0	36.8	ns
T <sub>SDSDRDCK3</sub>	Input setup time, all inputs	10.0	-	ns
T <sub>SDSDRCKD3</sub>	Input hold time, all inputs	1.5	-	ns
F <sub>SDSDRCLK3</sub>	SDR12 mode device clock frequency	-	25	MHz
<b>SD/SDIO Interface High-Speed Mode</b>				
T <sub>DCSDHCLK</sub>	SD device clock duty cycle	47	53	%
T <sub>SDHCKO</sub>	Clock to output delay, all outputs <sup>2</sup>	2.2	13.8	ns
T <sub>SDHSDIVW</sub>	Input valid data window <sup>3</sup>	0.35	-	UI
F <sub>SDHCLK</sub>	High-speed mode SD device clock frequency	-	50	MHz
<b>SD/SDIO Interface Standard Mode</b>				
T <sub>DCSDSCLK</sub>	SD device clock duty cycle	45	55	%
T <sub>SDSCKO</sub>	Clock to output delay, all outputs	-2.0	4.5	ns
T <sub>SDSDCK</sub>	Input setup time, all inputs	2.0	-	ns
T <sub>SDSCKD</sub>	Input hold time, all inputs	2.0	-	ns
F <sub>SDIDCLK</sub>	Clock frequency in identification mode	-	400	KHz

Table 45: SD/SDIO Interface (cont'd)

Symbol	Description <sup>1</sup>	Min	Max	Units
F <sub>SDSCLK</sub>	Standard SD device clock frequency	-	19	MHz

**Notes:**

1. The test conditions SD/SDIO standard mode (default speed mode) use an 8 mA drive strength, fast slew rate, and a 30 pF load. For SD/SDIO high-speed mode, the test conditions use a 12 mA drive strength, fast slew rate, and a 30 pF load. For other SD/SDIO modes, the test conditions use a 12 mA drive strength, fast slew rate, and a 15 pF load.
2. This specification is achieved using pre-determined DLL tuning.
3. This specification is required for capturing input data using DLL tuning.

## PS eMMC Standard Interface

Table 46: eMMC Standard Interface

Symbol	Description <sup>1</sup>	Min	Max	Units
<b>eMMC Standard Interface</b>				
T <sub>DCEMMCHSCLK</sub>	eMMC clock duty cycle	45	55	%
T <sub>EMMCHSCKO</sub>	Clock to output delay, all outputs	-2.0	4.5	ns
T <sub>EMMCHSDCK</sub>	Input setup time, all inputs	2.0	-	ns
T <sub>EMMCHSCKD</sub>	Input hold time, all inputs	2.0	-	ns
F <sub>EMMCHSCLK</sub>	eMMC clock frequency	-	25	MHz
<b>eMMC High-Speed SDR Interface</b>				
T <sub>DCEMMCHSCLK</sub>	eMMC high-speed SDR clock duty cycle	45	55	%
T <sub>EMMCHSCKO</sub>	Clock to output delay, all outputs <sup>2</sup>	3.2	16.8	ns
T <sub>EMMCHSDIVW</sub>	Input valid data window <sup>3</sup>	0.4	-	UI
F <sub>EMMCHSCLK</sub>	eMMC high speed SDR clock frequency	-	50	MHz
<b>eMMC High-Speed DDR Interface</b>				
T <sub>DCEMMCDRCLK</sub>	eMMC high-speed DDR clock duty cycle	45	55	%
T <sub>EMMCDDRCKO1</sub>	Data clock to output delay <sup>2</sup>	2.7	7.3	ns
T <sub>EMMCDDRIVW</sub>	Input valid data window <sup>3</sup>	3.5	-	ns
T <sub>EMMCDDRCKO2</sub>	Command clock to output delay	3.2	16	ns
T <sub>EMMCDDRCK2</sub>	Command input setup time	3.9	-	ns
T <sub>EMMCDDRCKD2</sub>	Command input hold time	2.5	-	ns
F <sub>EMMCDDRCLK</sub>	eMMC high-speed DDR clock frequency	-	50	MHz
<b>eMMC HS200 Interface</b>				
T <sub>DCEMMCHS200CLK</sub>	eMMC HS200 clock duty cycle	40	60	%
T <sub>EMMCHS200CKO</sub>	Clock to output delay, all outputs <sup>2</sup>	1.0	3.4	ns
T <sub>EMMCHSDR1IVW</sub>	Input valid data window <sup>3</sup>	0.4	-	UI
F <sub>EMMCHS200CLK</sub>	eMMC HS200 clock frequency	-	200	MHz

**Notes:**

1. The test conditions for eMMC standard mode use an 8 mA drive strength, fast slew rate, and a 30 pF load. For eMMC high-speed mode, the test conditions use a 12 mA drive strength, fast slew rate, and a 30 pF load. For other eMMC modes, the test conditions use a 12 mA drive strength, fast slew rate, and a 15 pF load.
2. This specification is achieved using pre-determined DLL tuning.
3. This specification is required for capturing input data using DLL tuning.

## PS I2C Controller Interface

Table 47: I2C Interface

Symbol	Description <sup>1</sup>	Min	Max	Units
<b>I2C Fast-mode Interface</b>				
T <sub>I2CFCKL</sub>	SCL Low time	1.3	-	μs
T <sub>I2CFCKH</sub>	SCL High time	0.6	-	μs
T <sub>I2CFCKO</sub>	SDA clock to out delay	-	900	ns
T <sub>I2CFDCK</sub>	SDA input setup time	100	-	ns
F <sub>I2CFCLK</sub>	SCL clock frequency	-	400	KHz
<b>I2C Standard-mode Interface</b>				
T <sub>I2CSCKL</sub>	SCL Low time	4.7	-	μs
T <sub>I2CSCKH</sub>	SCL High time	4.0	-	μs
T <sub>I2CSCKO</sub>	SDA clock to out delay	-	3450	ns
T <sub>I2CSDCK</sub>	SDA input setup time	250	-	ns
F <sub>I2CSCLK</sub>	SCL clock frequency	-	100	KHz

**Notes:**

- The test conditions are configured to the LVCMOS 3.3V I/O standard with a 12 mA drive strength, fast slew rate, and a 15 pF load.

## PS SPI Controller Interface

Table 48: SPI Interfaces

Symbol	Description <sup>1</sup>	Min	Max	Units
<b>SPI Master Interface</b>				
T <sub>DCMSPICLK</sub>	SPI master mode clock duty cycle	45	55	%
T <sub>MSPISSCLK</sub>	Slave select asserted to first active clock edge	1 <sup>2</sup>	-	F <sub>SPI_REF_CLK</sub> cycles
T <sub>MSPISCLKSS</sub>	Last active clock edge to slave select deasserted	1 <sup>2</sup>	-	F <sub>SPI_REF_CLK</sub> cycles
T <sub>MSPIDCK</sub>	Input setup time for MISO	-2.0	-	ns
T <sub>MSPICKD</sub>	Input hold time for MISO	0.3	-	F <sub>MSPICLK</sub> cycles
T <sub>MSPICKO</sub>	MOSI and slave select clock to out delay	-2.0	5.0	ns
F <sub>MSPICLK</sub>	SPI master device clock frequency	-	50	MHz
F <sub>SPI_REF_CLK</sub>	SPI reference clock frequency	-	200	MHz
<b>SPI Slave Interface</b>				
T <sub>SSPISSCLK</sub>	Slave select asserted to first active clock edge	2	-	F <sub>SPI_REF_CLK</sub> cycles
T <sub>SSPISCLKSS</sub>	Last active clock edge to slave select deasserted	2	-	F <sub>SPI_REF_CLK</sub> cycles
T <sub>SSPIDCK</sub>	Input setup time for MOSI	5.0	-	ns
T <sub>SSPICKD</sub>	Input hold time for MOSI	1	-	F <sub>SPI_REF_CLK</sub> cycles
T <sub>SSPICKO</sub>	MISO clock to out delay	0.0	13.0	ns
F <sub>SSPICLK</sub>	SPI slave mode device clock frequency	-	25	MHz



Table 48: SPI Interfaces (cont'd)

Symbol	Description <sup>1</sup>	Min	Max	Units
F <sub>SPI_REF_CLK</sub>	SPI reference clock frequency	-	200	MHz

**Notes:**

- The test conditions are configured to the LVCMOS 3.3V I/O standard with a 12 mA drive strength, fast slew rate, and a 30 pF load.
- Valid when two SPI\_REF\_CLK delays are programmed between CS and CLK for T<sub>MSPISCLK</sub>, and between CLK and CS for T<sub>MSPISCLKSS</sub> in the SPI delay\_reg0 register.

## PS CAN Controller Interface

Table 49: CAN Interface

Symbol	Description <sup>1</sup>	Min	Max	Units
T <sub>PWCANRX</sub>	Receive pulse width	1.0	-	μs
T <sub>PWCANTX</sub>	Transmit pulse width	1.0	-	μs
F <sub>CAN_REF_CLK</sub>	Internally sourced CAN reference clock frequency	-	100	MHz
	Externally sourced CAN reference clock frequency	-	40	MHz

**Notes:**

- The test conditions are configured to the LVCMOS 3.3V I/O standard with a 12 mA drive strength, fast slew rate, and a 15 pF load.

## PS DAP Interface

Table 50: DAP Interface

Symbol	Description <sup>1,2</sup>	Min	Max	Units
T <sub>PDAPDCK</sub>	PS DAP input setup time	3.0	-	ns
T <sub>PDAPCKD</sub>	PS DAP input hold time	2.0	-	ns
T <sub>PDAPCKO</sub>	PS DAP clock to out delay	-	10.86	ns
F <sub>PDAPCLK</sub>	PS DAP clock frequency	-	44	MHz

**Notes:**

- The test conditions are configured to the LVCMOS 3.3V I/O standard with a 12 mA drive strength, fast slew rate, and a 15 pF load.
- PS DAP interface signals connect to MIO pins.

## PS UART Interface

Table 51: UART Interface

Symbol	Description <sup>1</sup>	Min	Max	Units
BAUD <sub>TXMAX</sub>	Transmit baud rate	-	6.25	Mb/s
BAUD <sub>RXMAX</sub>	Receive baud rate	-	6.25	Mb/s
F <sub>UART_REF_CLK</sub>	UART reference clock frequency	-	100	MHz

**Notes:**

- The test conditions are configured to the LVCMOS 3.3V I/O standard with a 12 mA drive strength, fast slew rate, and a 15 pF load.

## PS General Purpose I/O Interface

Table 52: General Purpose I/O (GPIO) Interface

Symbol	Description	Min	Max	Units
T <sub>PWGPIOH</sub>	Input High pulse width	$10 \times 1/F_{LPD\_LSBUS\_CTRLMAX}$	-	μs
T <sub>PWGPIOL</sub>	Input Low pulse width	$10 \times 1/F_{LPD\_LSBUS\_CTRLMAX}$	-	μs

## PS Trace Interface

Table 53: Trace Interface

Symbol	Description <sup>1</sup>	Min	Max	Units
T <sub>TCECKO</sub>	Trace clock to output delay, all outputs	-0.5	0.5	ns
T <sub>DCTCECLK</sub>	Trace clock duty cycle	45	55	%
F <sub>TCECLK</sub>	Trace clock frequency	-	125	MHz

**Notes:**

- The test conditions are configured to the LVCMOS 3.3V I/O standard with a 12 mA drive strength, fast slew rate, and a 15 pF load.

## PS Triple-timer Counter Interface

Table 54: Triple-timer Counter Interface

Symbol	Description	Min	Max	Units
T <sub>PWTTCOCLK</sub>	Triple-timer counter output clock pulse width	60.4	-	ns
F <sub>TTCOCLK</sub>	Triple-timer counter output clock frequency	-	16.5	MHz
T <sub>TTICLKL</sub>	Triple-timer counter input clock high pulse width	$1.5 \times 1/F_{LPD\_LSBUS\_CTRLMAX}$	-	ns
T <sub>TTICLKH</sub>	Triple-timer counter input clock low pulse width	$1.5 \times 1/F_{LPD\_LSBUS\_CTRLMAX}$	-	ns
F <sub>TTICLCK</sub>	Triple-timer counter input clock frequency	-	$F_{LPD\_LSBUS\_CTRLMAX}/3$	MHz

**Notes:**

- All timing values assume an ideal external input clock. Your actual timing budget must account for additional external clock jitter.

## PS Watchdog Timer Interface

Table 55: Watchdog Timer Interface

Symbol	Description	Min	Max	Units
F <sub>WDTCCLK</sub>	Watchdog timer input clock frequency	-	100	MHz

## PS-GTR Transceiver

Table 56: PS-GTR Transceiver DC Specifications

Symbol	DC Parameter	Conditions	Min	Typ	Max	Units
DV <sub>PPIN</sub>	Differential peak-to-peak input voltage (external AC coupled)		100	–	1200	mV
V <sub>IN</sub>	Single-ended input voltage. Voltage measured at the pin referenced to GND		75	–	V <sub>PS_MGTRAVCC</sub>	mV
V <sub>CMIN</sub>	Common mode input voltage		–	0	–	mV
DV <sub>PPOUT</sub>	Differential peak-to-peak output voltage <sup>1</sup>	Transmitter output swing is set to maximum value	800	–	–	mV
V <sub>CMOUTAC</sub>	Common mode output voltage: AC coupled (equation based)		$V_{PS\_MGTRAVCC} - D_{VPPOUT}/2$			mV
R <sub>IN</sub>	Differential input resistance		–	100	–	Ω
R <sub>OUT</sub>	Differential output resistance		–	100	–	Ω
R <sub>MGTRREF</sub>	Resistor value between calibration resistor pin to GND		497.5	500	502.5	Ω
T <sub>OSKEW</sub>	Transmitter output pair (TXP and TXN) intra-pair skew (All packages)		–	–	20	ps
C <sub>EXT</sub>	Recommended external AC coupling capacitor <sup>2</sup>		–	100	–	nF

**Notes:**

1. The output swing and pre-emphasis levels are programmable using the attributes discussed in the *Zynq UltraScale+ Device Technical Reference Manual (UG1085)*, and can result in values lower than reported in this table.
2. Other values can be used as appropriate to conform to specific protocols and standards.

Table 57: PS-GTR Transceiver Clock DC Input Level Specification

Symbol	DC Parameter	Min	Typ	Max	Units
V <sub>IDIFF</sub>	Differential peak-to-peak input voltage	250	–	2000	mV
R <sub>IN</sub>	Differential input resistance	–	100	–	Ω
C <sub>EXT</sub>	Required external AC coupling capacitor	–	10	–	nF

Table 58: PS-GTR Transceiver Performance

Symbol	Description	Speed Grade		Units
		-2	-1	
F <sub>GTRMAX</sub>	PS-GTR maximum line rate	6.0	6.0	Gb/s
F <sub>GTRMIN</sub>	PS-GTR minimum line rate	1.25	1.25	Gb/s

Table 59: PS-GTR Transceiver PLL/Lock Time Adaptation

Symbol	Description	Min	Typ	Max	Units
T <sub>LOCK</sub>	Initial PLL lock	–	–	0.11	ms
T <sub>DLOCK</sub>	Clock recovery phase acquisition and adaptation time	–	–	24 x 10 <sup>6</sup>	UI

**Table 60: PS-GTR Transceiver Reference Clock Switching Characteristics**

Symbol	Description	Conditions	All Speed Grades			Units
			Min	Typ	Max	
F <sub>GCLK</sub>	Reference clock frequencies supported	PCI Express® <sup>1</sup>	100 MHz			
		SATA	125 MHz or 150 MHz			
		USB 3.0	26 MHz, 52 MHz, or 100 MHz			
		DisplayPort	27 MHz, 108 MHz, or 135 MHz			
		SGMII	125 MHz			
T <sub>RCLK</sub>	Reference clock rise time	20% - 80%	-	200	-	ps
T <sub>FCLK</sub>	Reference clock fall time	80% - 20%	-	200	-	ps
T <sub>DCREf</sub>	Reference clock duty cycle	Transceiver PLL only	40	-	60	%
		USB 3.0 with reference clock <40 MHz	47.5	-	52.5	%

**Notes:**

1. Only the common clock architecture is supported.

**Table 61: PS-GTR Transceiver Reference Clock Oscillator Selection Phase Noise Mask**

Symbol	Description <sup>1</sup>	Offset Frequency	Min	Typ	Max	Units
PLL <sub>REFCLK</sub> MASK	PLL reference clock select phase noise mask at REFCLK frequency = 25 MHz	100	-	-	-102	dBc/Hz
		1 KHz	-	-	-124	
		10 KHz	-	-	-132	
		100 KHz	-	-	-139	
		1 MHz	-	-	-152	
		10 MHz	-	-	-154	
	PLL reference clock select phase noise mask at REFCLK frequency = 50 MHz	100	-	-	-96	dBc/Hz
		1 KHz	-	-	-118	
		10 KHz	-	-	-126	
		100 KHz	-	-	-133	
		1 MHz	-	-	-146	
		10 MHz	-	-	-148	
	PLL reference clock select phase noise mask at REFCLK frequency = 100 MHz	100	-	-	-90	dBc/Hz
		1 KHz	-	-	-112	
		10 KHz	-	-	-120	
		100 KHz	-	-	-127	
		1 MHz	-	-	-140	
		10 MHz	-	-	-142	
	PLL reference clock select phase noise mask at REFCLK frequency = 125 MHz	100	-	-	-88	dBc/Hz
		1 KHz	-	-	-110	
		10 KHz	-	-	-118	
		100 KHz	-	-	-125	
		1 MHz	-	-	-138	
		10 MHz	-	-	-140	
	PLL reference clock select phase noise mask at REFCLK frequency = 150 MHz	100	-	-	-86	dBc/Hz
1 KHz		-	-	-108		
10 KHz		-	-	-116		
100 KHz		-	-	-123		
1 MHz		-	-	-136		
10 MHz		-	-	-138		

**Notes:**

1. For reference clock frequencies not in this table, use the phase noise mask for the nearest reference clock frequency.

**Table 62: PS-GTR Transceiver Transmitter Switching Characteristics**

Symbol	Description	Condition	Min	Typ	Max	Units
F <sub>GTRTX</sub>	Serial data rate range		1.25	-	6.0	Gb/s
T <sub>RTX</sub>	TX rise time	20%–80%	-	65	-	ps
T <sub>FTX</sub>	TX fall time	80%–20%	-	65	-	ps

**Table 63: PS-GTR Transceiver Receiver Switching Characteristics**

Symbol	Description	Condition	Min	Typ	Max	Units
F <sub>GTRRX</sub>	Serial data rate		1.25	-	6	Gb/s
RX <sub>SST</sub>	Receiver spread-spectrum tracking	Modulated at 33 KHz	-5000	-	0	ppm
RX <sub>PPMTOL</sub>	Data/REFCLK PPM offset tolerance	All data rates	-350	-	350	ppm

**Table 64: PCI Express Protocol Characteristics (PS-GTR Transceivers)**

Standard	Description <sup>1</sup>	Line Rate (Mb/s)	Min	Max	Units
<b>PCI Express Transmitter Jitter Generation</b>					
PCI Express Gen 1	Total transmitter jitter	2500	-	0.25	UI
PCI Express Gen 2	Total transmitter jitter	5000	-	0.25	UI
<b>PCI Express Receiver High Frequency Jitter Tolerance</b>					
PCI Express Gen 1	Total receiver jitter tolerance	2500	0.65	-	UI
PCI Express Gen 2 <sup>2</sup>	Receiver inherent timing error	5000	0.4	-	UI
	Receiver inherent deterministic timing error	5000	0.3	-	UI

**Notes:**

1. Tested per card electromechanical (CEM) methodology.
2. Between 1 MHz and 10 MHz the minimum sinusoidal jitter roll-off with a slope of 20 dB/decade.

**Table 65: Serial ATA (SATA) Protocol Characteristics (PS-GTR Transceivers)**

Standard	Description	Line Rate (Mb/s)	Min	Max	Units
<b>Serial ATA Transmitter Jitter Generation</b>					
SATA Gen 1	Total transmitter jitter	1500	-	0.37	UI
SATA Gen 2	Total transmitter jitter	3000	-	0.37	UI
SATA Gen 3	Total transmitter jitter	6000	-	0.52	UI
<b>Serial ATA Receiver High Frequency Jitter Tolerance</b>					
SATA Gen 1	Total receiver jitter tolerance	1500	0.27	-	UI
SATA Gen 2	Total receiver jitter tolerance	3000	0.27	-	UI
SATA Gen 3	Total receiver jitter tolerance	6000	0.16	-	UI

**Table 66: DisplayPort Protocol Characteristics (PS-GTR Transceivers)**

Standard	Description <sup>1</sup>	Line Rate (Mb/s)	Min	Max	Units
<b>DisplayPort Transmitter Jitter Generation</b>					
RBR	Total transmitter jitter	1620	-	0.42	UI
HBR	Total transmitter jitter	2700	-	0.42	UI
HBR2 D10.2	Total transmitter jitter	5400	-	0.40	UI
HBR2 CPAT	Total transmitter jitter	5400	-	0.58	UI

**Notes:**

1. Only the transmitter is supported.

*Table 67: USB 3.0 Protocol Characteristics (PS-GTR Transceivers)*

Standard	Description	Line Rate (Mb/s)	Min	Max	Units
<b>USB 3.0 Transmitter Jitter Generation</b>					
USB 3.0	Total transmitter jitter	5000	-	0.66	UI
<b>USB 3.0 Receiver High Frequency Jitter Tolerance</b>					
USB 3.0	Total receiver jitter tolerance	5000	0.2	-	UI

*Table 68: Serial-GMII Protocol Characteristics (PS-GTR Transceivers)*

Standard	Description	Line Rate (Mb/s)	Min	Max	Units
<b>Serial-GMII Transmitter Jitter Generation</b>					
SGMII	Deterministic transmitter jitter	1250	-	0.25	UI
<b>Serial-GMII Receiver High Frequency Jitter Tolerance</b>					
SGMII	Total receiver jitter tolerance	1250	0.25	-	UI

## PS System Monitor Specifications

Table 69: PS SYSMON Specifications

Parameter	Comments	Conditions	Min	Typ	Max	Units
$V_{CC\_PSADC} = 1.8V \pm 3\%$ , $T_j = -40^\circ C$ to $100^\circ C$ , typical values at $T_j = 40^\circ C$						
<b>ADC Accuracy (<math>T_j = -55^\circ C</math> to <math>125^\circ C</math>)<sup>1</sup></b>						
Resolution			10	-	-	Bits
Sample rate			-	-	1	MS/s
RMS code noise	On-chip reference		-	1	-	LSBs
<b>On-Chip Sensor Accuracy</b>						
Temperature sensor error		$T_j = -55^\circ C$ to $110^\circ C$	-	-	$\pm 3.5$	$^\circ C$
		$T_j = 110^\circ C$ to $125^\circ C$	-	-	$\pm 5$	$^\circ C$
Supply sensor error <sup>2</sup>	Supply voltages less than or electrically connected to $V_{CC\_PSADC}$	$T_j = -55^\circ C$ to $125^\circ C$	-	-	$\pm 1$	%
	Supply voltages nominally at 1.8V but with the potential to go above $V_{CC\_PSADC}$	$T_j = -55^\circ C$ to $125^\circ C$	-	-	$\pm 1.5$	%
	Supply voltages nominally in the 2.0V to 3.3V range	$T_j = -55^\circ C$ to $125^\circ C$	-	-	$\pm 2.5$	%
<b>Conversion Rate<sup>3</sup></b>						
Conversion time—continuous	$t_{CONV}$	Number of ADCCLK cycles	26	-	32	Cycles
Conversion time—event	$t_{CONV}$	Number of ADCCLK cycles	-	-	21	Cycles
DRP clock frequency	DCLK	AMS REFCLK frequency	8	-	250	MHz
ADC clock frequency	ADCCLK	Derived from DCLK	1	-	26	MHz

**Notes:**

1. ADC offset errors are removed by enabling the ADC automatic offset calibration feature. The values are specified for when this feature is enabled.
2. Supply sensor offset and gain errors are removed by enabling the automatic offset and gain calibration feature. The values are specified for when this feature is enabled.
3. See the Adjusting the Acquisition Settling Time section in the *UltraScale Architecture System Monitor User Guide (UG580)*.

## Programmable Logic (PL) Performance Characteristics

This section provides the performance characteristics of some common functions and designs implemented in the Zynq UltraScale+ RFSocs. These values are subject to the same guidelines as the [AC Switching Characteristics](#) section.

In each of the following LVDS performance tables, the I/O bank type is either high performance (HP) or high density (HD).

In LVDS component mode:

- For the input/output registers in HP I/O banks, the Vivado tools limit clock frequencies to 312.9 MHz for all speed grades.
- For IDDR in HP I/O banks, Vivado tools limit clock frequencies to 625.0 MHz for all speed grades.
- For ODDR in HP I/O banks, Vivado tools limit clock frequencies to 625.0 MHz for all speed grades.



Table 70: LVDS Component Mode Performance

Description	I/O Bank Type	Speed Grade and V <sub>CCINT</sub> Operating Voltages								Units
		0.85V				0.72V				
		-2		-1		-2		-1		
		Min	Max	Min	Max	Min	Max	Min	Max	
LVDS TX DDR (OSERDES 4:1, 8:1)	HP	0	1250	0	1250	0	1250	0	1250	Mb/s
LVDS TX SDR (OSERDES 2:1, 4:1)	HP	0	625	0	625	0	625	0	625	Mb/s
LVDS RX DDR (ISERDES 1:4, 1:8) <sup>1</sup>	HP	0	1250	0	1250	0	1250	0	1250	Mb/s
LVDS RX DDR	HD	0	250	0	250	0	250	0	250	Mb/s
LVDS RX SDR (ISERDES 1:2, 1:4) <sup>1</sup>	HP	0	625	0	625	0	625	0	625	Mb/s
LVDS RX SDR	HD	0	125	0	125	0	125	0	125	Mb/s

**Notes:**

1. LVDS receivers are typically bounded with certain applications to achieve maximum performance. Package skews are not included and should be removed through PCB routing.

Table 71: LVDS Native Mode Performance

Description <sup>1,2</sup>	DATA_WIDTH	I/O Bank Type	Speed Grade and V <sub>CCINT</sub> Operating Voltages										Units
			0.85V				0.72V						
			-2E/-2I/-2LE		-1E/-1I/-1M/-1LI		-2LE		-2LI		-1LI		
			Min	Max	Min	Max	Min	Max	Min	Max	Min	Max	
LVDS TX DDR (TX_BITSLICE)	4	HP	375	1600	375	1600	375	1400	375	1260	375	1260	Mb/s
	8		375	1600	375	1600	375	1600	375	1600	375	1600	Mb/s
LVDS TX SDR (TX_BITSLICE)	4	HP	187.5	800	187.5	800	187.5	700	187.5	630	187.5	630	Mb/s
	8		187.5	800	187.5	800	187.5	800	187.5	800	187.5	800	Mb/s
LVDS RX DDR (RX_BITSLICE) <sup>3</sup>	4	HP	375	1600 <sup>4</sup>	375	1600 <sup>4</sup>	375	1400 <sup>4</sup>	375	1260 <sup>4</sup>	375	1260 <sup>4</sup>	Mb/s
	8		375	1600 <sup>4</sup>	375	1600 <sup>4</sup>	375	1600 <sup>4</sup>	375	1600 <sup>4</sup>	375	1600 <sup>4</sup>	Mb/s
LVDS RX SDR (RX_BITSLICE) <sup>3</sup>	4	HP	187.5	800	187.5	800	187.5	700	187.5	630	187.5	630	Mb/s
	8		187.5	800	187.5	800	187.5	800	187.5	800	187.5	800	Mb/s

**Notes:**

1. Native mode is supported through the [High-Speed SelectIO Interface Wizard](#) available with the Vivado Design Suite. The performance values assume a source-synchronous interface.
2. PLL settings can restrict the minimum allowable data rate. For example, when using the PLL with CLKOUTPHY\_MODE = VCO\_HALF the minimum frequency is PLL\_F<sub>VCOMIN</sub>/2.
3. LVDS receivers are typically bounded with certain applications to achieve maximum performance. Package skews are not included and should be removed through PCB routing.
4. Asynchronous receiver performance is limited to 1300 Mb/s for the -2E, -2I, and -2LE speed grades and to 1250 Mb/s for the -2LI, -1E, -1I, -1M, and -1LI speed grades.

**Table 72: MIPI D-PHY Performance**

Description	I/O Bank Type	Speed Grade and V <sub>CCINT</sub> Operating Voltages				Units
		0.85V		0.72V		
		-2	-1	-2	-1	
MIPI D-PHY transmitter or receiver	HP	1500 <sup>1</sup>	1260 <sup>2</sup>	1260 <sup>2</sup>	1260	Mb/s

**Notes:**

1. The Zynq UltraScale+ RFSoc performance is specified at 1500 Mb/s when designing with Vivado Design Suite v2019.1 or earlier. For XC devices, the performance is specified at 2500 Mb/s when designing with Vivado Design Suite v2019.1.1 or later. XQ devices are specified at 1500 Mb/s specification.
2. The Zynq UltraScale+ RFSoc performance is specified at 1260 Mb/s when designing with Vivado Design Suite v2019.1 or earlier. For XC devices, the performance is specified at 2500 Mb/s when designing with Vivado Design Suite v2019.1.1 or later. XQ devices are specified at 1260 Mb/s.

**Table 73: LVDS Native-Mode 1000BASE-X Support**

Description <sup>1</sup>	I/O Bank Type	Speed Grade and V <sub>CCINT</sub> Operating Voltages			
		0.85V		0.72V	
		-2	-1	-2	-1
1000BASE-X	HP	Yes			

**Notes:**

1. 1000BASE-X support is based on the *IEEE Standard for CSMA/CD Access Method and Physical Layer Specifications* (IEEE Std 802.3-2008).

The following table provides the maximum data rates for applicable memory standards using the Zynq UltraScale+ RFSoc memory PHY. Refer to [Memory Interfaces](#) for the complete list of memory interface standards supported and detailed specifications. The final performance of the memory interface is determined through a complete design implemented in the Vivado Design Suite, following guidelines in the *UltraScale Architecture PCB Design User Guide (UG583)*, electrical analysis, and characterization of the system.

**Table 74: Maximum Physical Interface (PHY) Rate for Memory Interfaces**

Memory Standard	DRAM Type	Speed Grade and V <sub>CCINT</sub> Operating Voltages					Units
		0.85V		0.72V			
		-2E/-2I/-2LE	-1E/-1I/-1M/-1LI	-2LE	-2LI	-1LI	
DDR4	Single rank component	2666	2400	2400	2400	2133	Mb/s
	1 rank DIMM <sup>1, 2, 3</sup>	2400	2133	2133	2133	1866	Mb/s
	2 rank DIMM <sup>1, 4</sup>	2133	1866	1866	1866	1600	Mb/s
	4 rank DIMM <sup>1, 5</sup>	1600	1333	1333	1333	N/A	Mb/s
DDR3	Single rank component	2133	2133	2133	1866	1866	Mb/s
	1 rank DIMM <sup>1, 2</sup>	1866	1866	1866	1600	1600	Mb/s
	2 rank DIMM <sup>1, 4</sup>	1600	1600	1600	1333	1333	Mb/s
	4 rank DIMM <sup>1, 5</sup>	1066	1066	1066	800	800	Mb/s

Table 74: Maximum Physical Interface (PHY) Rate for Memory Interfaces (cont'd)

Memory Standard	DRAM Type	Speed Grade and V <sub>CCINT</sub> Operating Voltages					Units
		0.85V		0.72V			
		-2E/-2I/-2LE	-1E/-1I/-1M/-1LI	-2LE	-2LI	-1LI	
DDR3L	Single rank component	1866	1866	1866	1600	1600	Mb/s
	1 rank DIMM <sup>1,2</sup>	1600	1600	1600	1333	1333	Mb/s
	2 rank DIMM <sup>1,4</sup>	1333	1333	1333	1066	1066	Mb/s
	4 rank DIMM <sup>1,5</sup>	800	800	800	606	606	Mb/s
QDR II+	Single rank component <sup>6</sup>	633	600	600	550	550	MHz
RLDRAM 3	Single rank component	1200	1066	1066	933	933	MHz
QDR IV XP	Single rank component	1066	1066	933	933	933	MHz
LPDDR3	Single rank component	1600	1600	1600	1600	1600	Mb/s

**Notes:**

1. Dual in-line memory module (DIMM) includes RDIMM, SODIMM, UDIMM, and LRDIMM.
2. Includes: 1 rank 1 slot, DDP 2 rank, LRDIMM 2 or 4 rank 1 slot.
3. For the DDR4 DDP components at -2 (V<sub>CCINT</sub> = 0.85V) speed grade, the maximum data rate is 2133 Mb/s for six or more DDP devices. For five or less DDP devices, use the single rank DIMM data rates for the -2 (V<sub>CCINT</sub> = 0.85V) speed grade.
4. Includes: 2 rank 1 slot, 1 rank 2 slot, LRDIMM 2 rank 2 slot.
5. Includes: 2 rank 2 slot, 4 rank 1 slot.
6. The QDR II+ performance specifications are for burst-length 4 (BL = 4) implementations.

## Programmable Logic (PL) Switching Characteristics

The following IOB high-density (HD) and IOB high-performance (HP) tables summarize the values of standard-specific data input delay adjustments, output delays terminating at pads (based on standard) and 3-state delays.

- T<sub>INBUF\_DELAY\_PAD\_I</sub> is the delay from IOB pad through the input buffer to the I-pin of an IOB pad. The delay varies depending on the capability of the SelectIO input buffer.
- T<sub>OUTBUF\_DELAY\_O\_PAD</sub> is the delay from the O pin to the IOB pad through the output buffer of an IOB pad. The delay varies depending on the capability of the SelectIO output buffer.
- T<sub>OUTBUF\_DELAY\_TD\_PAD</sub> is the delay from the T pin to the IOB pad through the output buffer of an IOB pad, when 3-state is disabled. The delay varies depending on the SelectIO capability of the output buffer. In HP I/O banks, the internal DCI termination turn-on time is always faster than T<sub>OUTBUF\_DELAY\_TD\_PAD</sub> when the DCITERMDISABLE pin is used. In HD I/O banks, the on-die termination turn-on time is always faster than T<sub>OUTBUF\_DELAY\_TD\_PAD</sub> when the INTERMDISABLE pin is used.

## IOB High Density (HD) Switching Characteristics

Table 75: IOB High Density (HD) Switching Characteristics

I/O Standards	T <sub>INBUF_DELAY_PAD_I</sub>				T <sub>OUTBUF_DELAY_O_PAD</sub>				T <sub>OUTBUF_DELAY_TD_PAD</sub>				Units
	0.85V		0.72V		0.85V		0.72V		0.85V		0.72V		
	-2	-1	-2	-1	-2	-1	-2	-1	-2	-1	-2	-1	
DIFF_HSTL_I_18_F	0.978	1.058	0.978	1.058	1.574	1.718	1.966	2.101	1.160	1.271	1.515	1.544	ns

Table 75: IOB High Density (HD) Switching Characteristics (cont'd)

I/O Standards	T <sub>INBUF_DELAY_PAD_I</sub>				T <sub>OUTBUF_DELAY_O_PAD</sub>				T <sub>OUTBUF_DELAY_TD_PAD</sub>				Units
	0.85V		0.72V		0.85V		0.72V		0.85V		0.72V		
	-2	-1	-2	-1	-2	-1	-2	-1	-2	-1	-2	-1	
DIFF_HSTL_I_18_S	0.978	1.058	0.978	1.058	1.805	1.950	2.197	2.333	1.748	1.867	2.103	2.104	ns
DIFF_HSTL_I_F	0.978	1.058	0.978	1.058	1.611	1.762	2.003	2.145	1.313	1.417	1.668	1.668	ns
DIFF_HSTL_I_S	0.978	1.058	0.978	1.058	1.798	1.913	2.190	2.296	1.630	1.780	1.985	1.986	ns
DIFF_HSUL_12_F	0.911	0.977	0.911	0.977	1.573	1.703	1.965	2.086	1.222	1.335	1.577	1.578	ns
DIFF_HSUL_12_S	0.911	0.977	0.911	0.977	1.711	1.864	2.103	2.247	1.536	1.665	1.891	1.891	ns
DIFF_SSTL12_F	0.906	0.977	0.906	0.977	1.643	1.792	2.035	2.175	1.285	1.423	1.640	1.640	ns
DIFF_SSTL12_S	0.906	0.977	0.906	0.977	1.784	1.948	2.176	2.331	1.567	1.706	1.922	1.922	ns
DIFF_SSTL135_F	0.927	0.995	0.927	0.995	1.625	1.765	2.017	2.148	1.341	1.458	1.696	1.696	ns
DIFF_SSTL135_II_F	0.927	0.995	0.927	0.995	1.623	1.770	2.015	2.153	1.325	1.470	1.680	1.689	ns
DIFF_SSTL135_II_S	0.927	0.995	0.927	0.995	1.768	1.916	2.160	2.299	1.722	1.911	2.077	2.078	ns
DIFF_SSTL135_S	0.927	0.995	0.927	0.995	1.869	2.025	2.261	2.408	1.814	1.976	2.169	2.169	ns
DIFF_SSTL15_F	0.928	1.020	0.928	1.020	1.628	1.771	2.020	2.154	1.374	1.483	1.729	1.729	ns
DIFF_SSTL15_II_F	0.928	1.020	0.928	1.020	1.622	1.778	2.014	2.161	1.356	1.442	1.711	1.712	ns
DIFF_SSTL15_II_S	0.928	1.020	0.928	1.020	1.821	1.987	2.213	2.370	1.895	2.047	2.250	2.250	ns
DIFF_SSTL15_S	0.928	1.020	0.928	1.020	1.824	1.977	2.216	2.360	1.743	1.907	2.098	2.098	ns
DIFF_SSTL18_II_F	0.961	1.038	0.961	1.038	1.729	1.880	2.121	2.263	1.377	1.492	1.732	1.732	ns
DIFF_SSTL18_II_S	0.961	1.038	0.961	1.038	1.796	1.965	2.188	2.348	1.616	1.800	1.971	1.972	ns
DIFF_SSTL18_I_F	0.961	1.038	0.961	1.038	1.609	1.755	2.001	2.138	1.220	1.313	1.575	1.575	ns
DIFF_SSTL18_I_S	0.961	1.038	0.961	1.038	1.786	1.942	2.178	2.325	1.677	1.836	2.032	2.033	ns
HSTL_I_18_F	0.947	1.021	0.947	1.021	1.574	1.718	1.966	2.101	1.160	1.271	1.515	1.544	ns
HSTL_I_18_S	0.947	1.021	0.947	1.021	1.805	1.950	2.197	2.333	1.748	1.867	2.103	2.104	ns
HSTL_I_F	0.856	0.900	0.856	0.900	1.611	1.762	2.003	2.145	1.313	1.417	1.668	1.668	ns
HSTL_I_S	0.856	0.900	0.856	0.900	1.798	1.913	2.190	2.296	1.630	1.780	1.985	1.986	ns
HSUL_12_F	0.780	0.867	0.780	0.867	1.573	1.703	1.965	2.086	1.222	1.335	1.577	1.578	ns
HSUL_12_S	0.780	0.867	0.780	0.867	1.711	1.864	2.103	2.247	1.536	1.665	1.891	1.891	ns
LVC MOS12_F_12	0.918	0.976	0.918	0.976	1.689	1.856	2.081	2.239	1.202	1.317	1.557	1.557	ns
LVC MOS12_F_4	0.918	0.976	0.918	0.976	1.742	1.922	2.134	2.305	1.353	1.478	1.708	1.708	ns
LVC MOS12_F_8	0.918	0.976	0.918	0.976	1.714	1.879	2.106	2.262	1.292	1.432	1.647	1.647	ns
LVC MOS12_S_12	0.918	0.976	0.918	0.976	2.073	2.247	2.465	2.630	1.581	1.717	1.936	1.937	ns
LVC MOS12_S_4	0.918	0.976	0.918	0.976	1.979	2.182	2.371	2.565	1.633	1.772	1.988	1.989	ns
LVC MOS12_S_8	0.918	0.976	0.918	0.976	2.205	2.406	2.597	2.789	1.767	1.928	2.122	2.123	ns
LVC MOS15_F_12	0.905	0.958	0.905	0.958	1.713	1.892	2.105	2.275	1.275	1.428	1.630	1.630	ns
LVC MOS15_F_16	0.905	0.958	0.905	0.958	1.722	1.881	2.114	2.264	1.260	1.407	1.615	1.615	ns
LVC MOS15_F_4	0.905	0.958	0.905	0.958	1.825	1.959	2.217	2.342	1.453	1.557	1.808	1.809	ns
LVC MOS15_F_8	0.905	0.958	0.905	0.958	1.778	1.930	2.170	2.313	1.378	1.458	1.733	1.733	ns
LVC MOS15_S_12	0.905	0.958	0.905	0.958	1.991	2.139	2.383	2.522	1.516	1.648	1.871	1.871	ns
LVC MOS15_S_16	0.905	0.958	0.905	0.958	2.172	2.389	2.564	2.772	1.707	1.888	2.062	2.062	ns
LVC MOS15_S_4	0.905	0.958	0.905	0.958	2.313	2.483	2.705	2.866	1.952	2.123	2.307	2.307	ns
LVC MOS15_S_8	0.905	0.958	0.905	0.958	2.170	2.400	2.562	2.783	1.817	1.984	2.172	2.173	ns

Table 75: IOB High Density (HD) Switching Characteristics (cont'd)

I/O Standards	T <sub>INBUF_DELAY_PAD_I</sub>				T <sub>OUTBUF_DELAY_O_PAD</sub>				T <sub>OUTBUF_DELAY_TD_PAD</sub>				Units
	0.85V		0.72V		0.85V		0.72V		0.85V		0.72V		
	-2	-1	-2	-1	-2	-1	-2	-1	-2	-1	-2	-1	
LVC MOS18_F_12	0.915	0.958	0.915	0.958	1.805	1.962	2.197	2.345	1.383	1.471	1.738	1.738	ns
LVC MOS18_F_16	0.915	0.958	0.915	0.958	1.785	1.917	2.177	2.300	1.338	1.446	1.693	1.693	ns
LVC MOS18_F_4	0.915	0.958	0.915	0.958	1.868	2.013	2.260	2.396	1.472	1.599	1.827	1.832	ns
LVC MOS18_F_8	0.915	0.958	0.915	0.958	1.797	1.979	2.189	2.362	1.384	1.487	1.739	1.739	ns
LVC MOS18_S_12	0.915	0.958	0.915	0.958	2.201	2.408	2.593	2.791	1.762	1.894	2.117	2.118	ns
LVC MOS18_S_16	0.915	0.958	0.915	0.958	2.173	2.362	2.565	2.745	1.702	1.834	2.057	2.057	ns
LVC MOS18_S_4	0.915	0.958	0.915	0.958	2.346	2.567	2.738	2.950	1.951	2.092	2.306	2.306	ns
LVC MOS18_S_8	0.915	0.958	0.915	0.958	2.292	2.511	2.684	2.894	1.848	2.008	2.203	2.204	ns
LVC MOS25_F_12	0.988	1.042	0.988	1.042	2.153	2.453	2.545	2.836	1.692	1.856	2.047	2.047	ns
LVC MOS25_F_16	0.988	1.042	0.988	1.042	2.105	2.406	2.497	2.789	1.623	1.786	1.978	1.979	ns
LVC MOS25_F_4	0.988	1.042	0.988	1.042	2.344	2.554	2.736	2.937	1.842	2.039	2.197	2.197	ns
LVC MOS25_F_8	0.988	1.042	0.988	1.042	2.184	2.516	2.576	2.899	1.726	1.910	2.081	2.081	ns
LVC MOS25_S_12	0.988	1.042	0.988	1.042	2.558	2.840	2.950	3.223	1.971	2.194	2.326	2.327	ns
LVC MOS25_S_16	0.988	1.042	0.988	1.042	2.449	2.740	2.841	3.123	1.852	2.063	2.207	2.207	ns
LVC MOS25_S_4	0.988	1.042	0.988	1.042	2.770	3.066	3.162	3.449	2.224	2.458	2.579	2.579	ns
LVC MOS25_S_8	0.988	1.042	0.988	1.042	2.663	2.963	3.055	3.346	2.091	2.373	2.446	2.446	ns
LVC MOS33_F_12	1.154	1.213	1.154	1.213	2.415	2.651	2.807	3.034	1.754	1.915	2.109	2.109	ns
LVC MOS33_F_16	1.154	1.213	1.154	1.213	2.383	2.603	2.775	2.986	1.734	1.869	2.089	2.089	ns
LVC MOS33_F_4	1.154	1.213	1.154	1.213	2.541	2.765	2.933	3.148	1.932	2.135	2.287	2.287	ns
LVC MOS33_F_8	1.154	1.213	1.154	1.213	2.603	2.822	2.995	3.205	1.937	2.130	2.292	2.294	ns
LVC MOS33_S_12	1.154	1.213	1.154	1.213	2.705	3.047	3.097	3.430	2.049	2.318	2.404	2.404	ns
LVC MOS33_S_16	1.154	1.213	1.154	1.213	2.714	3.024	3.106	3.407	2.028	2.232	2.383	2.383	ns
LVC MOS33_S_4	1.154	1.213	1.154	1.213	2.999	3.340	3.391	3.723	2.320	2.610	2.675	2.675	ns
LVC MOS33_S_8	1.154	1.213	1.154	1.213	2.929	3.260	3.321	3.643	2.260	2.532	2.615	2.616	ns
LVDS_25	1.003	1.116	1.003	1.116	N/A	N/A	N/A	N/A	N/A	N/A	N/A	N/A	ns
LVPECL	1.003	1.116	1.003	1.116	N/A	N/A	N/A	N/A	N/A	N/A	N/A	N/A	ns
LVTTTL_F_12	1.164	1.223	1.164	1.223	2.415	2.651	2.807	3.034	1.754	1.915	2.109	2.109	ns
LVTTTL_F_16	1.164	1.223	1.164	1.223	2.464	2.732	2.856	3.115	1.750	1.986	2.105	2.117	ns
LVTTTL_F_4	1.164	1.223	1.164	1.223	2.541	2.765	2.933	3.148	1.932	2.135	2.287	2.287	ns
LVTTTL_F_8	1.164	1.223	1.164	1.223	2.582	2.787	2.974	3.170	1.910	2.063	2.265	2.265	ns
LVTTTL_S_12	1.164	1.223	1.164	1.223	2.731	3.075	3.123	3.458	2.072	2.343	2.427	2.427	ns
LVTTTL_S_16	1.164	1.223	1.164	1.223	2.714	3.024	3.106	3.407	2.028	2.232	2.383	2.383	ns
LVTTTL_S_4	1.164	1.223	1.164	1.223	2.999	3.340	3.391	3.723	2.320	2.610	2.675	2.675	ns
LVTTTL_S_8	1.164	1.223	1.164	1.223	2.929	3.260	3.321	3.643	2.260	2.532	2.615	2.616	ns
SLVS_400_25	1.020	1.136	1.020	1.136	N/A	N/A	N/A	N/A	N/A	N/A	N/A	N/A	ns
SSTL12_F	0.780	0.867	0.780	0.867	1.643	1.792	2.035	2.175	1.285	1.423	1.640	1.640	ns
SSTL12_S	0.780	0.867	0.780	0.867	1.784	1.948	2.176	2.331	1.567	1.706	1.922	1.922	ns
SSTL135_F	0.798	0.881	0.798	0.881	1.625	1.765	2.017	2.148	1.341	1.458	1.696	1.696	ns
SSTL135_II_F	0.798	0.881	0.798	0.881	1.623	1.770	2.015	2.153	1.325	1.470	1.680	1.689	ns

Table 75: IOB High Density (HD) Switching Characteristics (cont'd)

I/O Standards	T <sub>INBUF_DELAY_PAD_I</sub>				T <sub>OUTBUF_DELAY_O_PAD</sub>				T <sub>OUTBUF_DELAY_TD_PAD</sub>				Units
	0.85V		0.72V		0.85V		0.72V		0.85V		0.72V		
	-2	-1	-2	-1	-2	-1	-2	-1	-2	-1	-2	-1	
SSTL135_II_S	0.798	0.881	0.798	0.881	1.768	1.916	2.160	2.299	1.722	1.911	2.077	2.078	ns
SSTL135_S	0.798	0.881	0.798	0.881	1.869	2.025	2.261	2.408	1.814	1.976	2.169	2.169	ns
SSTL15_F	0.838	0.880	0.838	0.880	1.612	1.754	2.004	2.137	1.357	1.464	1.712	1.713	ns
SSTL15_II_F	0.838	0.880	0.838	0.880	1.622	1.778	2.014	2.161	1.356	1.442	1.711	1.712	ns
SSTL15_II_S	0.838	0.880	0.838	0.880	1.821	1.987	2.213	2.370	1.895	2.047	2.250	2.250	ns
SSTL15_S	0.838	0.880	0.838	0.880	1.824	1.977	2.216	2.360	1.743	1.907	2.098	2.098	ns
SSTL18_II_F	0.947	1.021	0.947	1.021	1.729	1.880	2.121	2.263	1.377	1.492	1.732	1.732	ns
SSTL18_II_S	0.947	1.021	0.947	1.021	1.796	1.965	2.188	2.348	1.616	1.800	1.971	1.972	ns
SSTL18_I_F	0.947	1.021	0.947	1.021	1.609	1.755	2.001	2.138	1.220	1.313	1.575	1.575	ns
SSTL18_I_S	0.947	1.021	0.947	1.021	1.786	1.942	2.178	2.325	1.677	1.836	2.032	2.033	ns
SUB_LVDS	1.002	1.036	1.002	1.036	N/A	N/A	N/A	N/A	N/A	N/A	N/A	N/A	ns

## IOB High Performance (HP) Switching Characteristics

Table 76: IOB High Performance (HP) Switching Characteristics

I/O Standards	T <sub>INBUF_DELAY_PAD_I</sub>				T <sub>OUTBUF_DELAY_O_PAD</sub>				T <sub>OUTBUF_DELAY_TD_PAD</sub>				Units
	0.85V		0.72V		0.85V		0.72V		0.85V		0.72V		
	-2	-1	-2	-1	-2	-1	-2	-1	-2	-1	-2	-1	
DIFF_HSTL_I_12_F	0.394	0.402	0.394	0.402	0.423	0.443	0.423	0.443	0.553	0.582	0.553	0.582	ns
DIFF_HSTL_I_12_M	0.394	0.402	0.394	0.402	0.552	0.583	0.552	0.583	0.641	0.679	0.641	0.679	ns
DIFF_HSTL_I_12_S	0.394	0.402	0.394	0.402	0.752	0.800	0.752	0.800	0.813	0.868	0.813	0.868	ns
DIFF_HSTL_I_18_F	0.319	0.339	0.319	0.339	0.456	0.474	0.456	0.474	0.576	0.606	0.576	0.606	ns
DIFF_HSTL_I_18_M	0.319	0.339	0.319	0.339	0.570	0.603	0.570	0.603	0.653	0.692	0.653	0.692	ns
DIFF_HSTL_I_18_S	0.319	0.339	0.319	0.339	0.782	0.834	0.782	0.834	0.816	0.871	0.816	0.871	ns
DIFF_HSTL_I_DCI_12_F	0.394	0.402	0.394	0.402	0.406	0.429	0.406	0.429	0.534	0.564	0.534	0.564	ns
DIFF_HSTL_I_DCI_12_M	0.394	0.402	0.394	0.402	0.557	0.587	0.557	0.587	0.653	0.694	0.653	0.694	ns
DIFF_HSTL_I_DCI_12_S	0.394	0.402	0.394	0.402	0.755	0.806	0.755	0.806	0.842	0.907	0.842	0.907	ns
DIFF_HSTL_I_DCI_18_F	0.323	0.339	0.323	0.339	0.445	0.461	0.445	0.461	0.566	0.595	0.566	0.595	ns
DIFF_HSTL_I_DCI_18_M	0.323	0.339	0.323	0.339	0.555	0.586	0.555	0.586	0.643	0.684	0.643	0.684	ns
DIFF_HSTL_I_DCI_18_S	0.323	0.339	0.323	0.339	0.762	0.818	0.762	0.818	0.836	0.900	0.836	0.900	ns
DIFF_HSTL_I_DCI_F	0.397	0.417	0.397	0.417	0.431	0.445	0.431	0.445	0.555	0.575	0.555	0.575	ns
DIFF_HSTL_I_DCI_M	0.397	0.417	0.397	0.417	0.553	0.583	0.553	0.583	0.644	0.684	0.644	0.684	ns
DIFF_HSTL_I_DCI_S	0.397	0.417	0.397	0.417	0.767	0.823	0.767	0.823	0.848	0.912	0.848	0.912	ns
DIFF_HSTL_I_F	0.404	0.417	0.404	0.417	0.423	0.443	0.423	0.443	0.549	0.581	0.549	0.581	ns
DIFF_HSTL_I_M	0.404	0.417	0.404	0.417	0.555	0.586	0.555	0.586	0.640	0.677	0.640	0.677	ns
DIFF_HSTL_I_S	0.404	0.417	0.404	0.417	0.767	0.818	0.767	0.818	0.811	0.866	0.811	0.866	ns
DIFF_HSUL_12_DCI_F	0.381	0.400	0.381	0.400	0.425	0.443	0.425	0.443	0.558	0.586	0.558	0.586	ns
DIFF_HSUL_12_DCI_M	0.381	0.400	0.381	0.400	0.557	0.587	0.557	0.587	0.653	0.694	0.653	0.694	ns

Table 76: IOB High Performance (HP) Switching Characteristics (cont'd)

I/O Standards	T <sub>INBUF_DELAY_PAD_I</sub>				T <sub>OUTBUF_DELAY_O_PAD</sub>				T <sub>OUTBUF_DELAY_TD_PAD</sub>				Units
	0.85V		0.72V		0.85V		0.72V		0.85V		0.72V		
	-2	-1	-2	-1	-2	-1	-2	-1	-2	-1	-2	-1	
DIFF_HSUL_12_DCI_S	0.381	0.400	0.381	0.400	0.737	0.787	0.737	0.787	0.822	0.885	0.822	0.885	ns
DIFF_HSUL_12_F	0.394	0.402	0.394	0.402	0.412	0.430	0.412	0.430	0.538	0.566	0.538	0.566	ns
DIFF_HSUL_12_M	0.394	0.402	0.394	0.402	0.552	0.583	0.552	0.583	0.641	0.679	0.641	0.679	ns
DIFF_HSUL_12_S	0.394	0.402	0.394	0.402	0.752	0.800	0.752	0.800	0.813	0.868	0.813	0.868	ns
DIFF_POD10_DCI_F	0.411	0.430	0.411	0.430	0.425	0.444	0.425	0.444	0.555	0.584	0.555	0.584	ns
DIFF_POD10_DCI_M	0.411	0.430	0.411	0.430	0.542	0.571	0.542	0.571	0.640	0.681	0.640	0.681	ns
DIFF_POD10_DCI_S	0.411	0.430	0.411	0.430	0.754	0.815	0.754	0.815	0.850	0.917	0.850	0.917	ns
DIFF_POD10_F	0.411	0.433	0.411	0.433	0.438	0.459	0.438	0.459	0.569	0.601	0.569	0.601	ns
DIFF_POD10_M	0.411	0.433	0.411	0.433	0.538	0.568	0.538	0.568	0.630	0.667	0.630	0.667	ns
DIFF_POD10_S	0.411	0.433	0.411	0.433	0.766	0.821	0.766	0.821	0.836	0.894	0.836	0.894	ns
DIFF_POD12_DCI_F	0.407	0.432	0.407	0.432	0.425	0.443	0.425	0.443	0.558	0.586	0.558	0.586	ns
DIFF_POD12_DCI_M	0.407	0.432	0.407	0.432	0.543	0.572	0.543	0.572	0.638	0.678	0.638	0.678	ns
DIFF_POD12_DCI_S	0.407	0.432	0.407	0.432	0.772	0.822	0.772	0.822	0.862	0.929	0.862	0.929	ns
DIFF_POD12_F	0.409	0.430	0.409	0.430	0.455	0.476	0.455	0.476	0.595	0.626	0.595	0.626	ns
DIFF_POD12_M	0.409	0.430	0.409	0.430	0.551	0.582	0.551	0.582	0.641	0.679	0.641	0.679	ns
DIFF_POD12_S	0.409	0.430	0.409	0.430	0.767	0.817	0.767	0.817	0.832	0.889	0.832	0.889	ns
DIFF_SSTL12_DCI_F	0.381	0.400	0.381	0.400	0.425	0.443	0.425	0.443	0.558	0.586	0.558	0.586	ns
DIFF_SSTL12_DCI_M	0.381	0.400	0.381	0.400	0.557	0.587	0.557	0.587	0.654	0.694	0.654	0.694	ns
DIFF_SSTL12_DCI_S	0.381	0.400	0.381	0.400	0.754	0.803	0.754	0.803	0.842	0.908	0.842	0.908	ns
DIFF_SSTL12_F	0.394	0.402	0.394	0.402	0.412	0.430	0.412	0.430	0.538	0.566	0.538	0.566	ns
DIFF_SSTL12_M	0.394	0.402	0.394	0.402	0.553	0.584	0.553	0.584	0.641	0.676	0.641	0.676	ns
DIFF_SSTL12_S	0.394	0.402	0.394	0.402	0.758	0.808	0.758	0.808	0.823	0.879	0.823	0.879	ns
DIFF_SSTL135_DCI_F	0.371	0.402	0.371	0.402	0.411	0.428	0.411	0.428	0.537	0.565	0.537	0.565	ns
DIFF_SSTL135_DCI_M	0.371	0.402	0.371	0.402	0.551	0.582	0.551	0.582	0.645	0.685	0.645	0.685	ns
DIFF_SSTL135_DCI_S	0.371	0.402	0.371	0.402	0.746	0.799	0.746	0.799	0.829	0.893	0.829	0.893	ns
DIFF_SSTL135_F	0.375	0.402	0.375	0.402	0.408	0.428	0.408	0.428	0.528	0.561	0.528	0.561	ns
DIFF_SSTL135_M	0.375	0.402	0.375	0.402	0.555	0.585	0.555	0.585	0.641	0.679	0.641	0.679	ns
DIFF_SSTL135_S	0.375	0.402	0.375	0.402	0.772	0.823	0.772	0.823	0.827	0.878	0.827	0.878	ns
DIFF_SSTL15_DCI_F	0.397	0.417	0.397	0.417	0.412	0.429	0.412	0.429	0.531	0.563	0.531	0.563	ns
DIFF_SSTL15_DCI_M	0.397	0.417	0.397	0.417	0.553	0.583	0.553	0.583	0.645	0.685	0.645	0.685	ns
DIFF_SSTL15_DCI_S	0.397	0.417	0.397	0.417	0.768	0.822	0.768	0.822	0.847	0.912	0.847	0.912	ns
DIFF_SSTL15_F	0.404	0.417	0.404	0.417	0.424	0.445	0.424	0.445	0.551	0.577	0.551	0.577	ns
DIFF_SSTL15_M	0.404	0.417	0.404	0.417	0.554	0.585	0.554	0.585	0.639	0.677	0.639	0.677	ns
DIFF_SSTL15_S	0.404	0.417	0.404	0.417	0.767	0.817	0.767	0.817	0.813	0.867	0.813	0.867	ns
DIFF_SSTL18_I_DCI_F	0.320	0.336	0.320	0.336	0.445	0.461	0.445	0.461	0.566	0.595	0.566	0.595	ns
DIFF_SSTL18_I_DCI_M	0.320	0.336	0.320	0.336	0.554	0.585	0.554	0.585	0.644	0.683	0.644	0.683	ns
DIFF_SSTL18_I_DCI_S	0.320	0.336	0.320	0.336	0.762	0.818	0.762	0.818	0.837	0.899	0.837	0.899	ns
DIFF_SSTL18_I_F	0.316	0.336	0.316	0.336	0.454	0.476	0.454	0.476	0.578	0.608	0.578	0.608	ns
DIFF_SSTL18_I_M	0.316	0.336	0.316	0.336	0.571	0.603	0.571	0.603	0.652	0.692	0.652	0.692	ns

Table 76: IOB High Performance (HP) Switching Characteristics (cont'd)

I/O Standards	T <sub>INBUF_DELAY_PAD_I</sub>				T <sub>OUTBUF_DELAY_O_PAD</sub>				T <sub>OUTBUF_DELAY_TD_PAD</sub>				Units
	0.85V		0.72V		0.85V		0.72V		0.85V		0.72V		
	-2	-1	-2	-1	-2	-1	-2	-1	-2	-1	-2	-1	
DIFF_SSTL18_I_S	0.316	0.336	0.316	0.336	0.782	0.835	0.782	0.835	0.816	0.870	0.816	0.870	ns
HSLVDCI_15_F	0.393	0.415	0.393	0.415	0.425	0.443	0.425	0.443	0.548	0.579	0.548	0.579	ns
HSLVDCI_15_M	0.393	0.415	0.393	0.415	0.552	0.581	0.552	0.581	0.644	0.684	0.644	0.684	ns
HSLVDCI_15_S	0.393	0.415	0.393	0.415	0.748	0.802	0.748	0.802	0.827	0.890	0.827	0.890	ns
HSLVDCI_18_F	0.424	0.447	0.424	0.447	0.445	0.461	0.445	0.461	0.566	0.595	0.566	0.595	ns
HSLVDCI_18_M	0.424	0.447	0.424	0.447	0.567	0.598	0.567	0.598	0.658	0.699	0.658	0.699	ns
HSLVDCI_18_S	0.424	0.447	0.424	0.447	0.761	0.817	0.761	0.817	0.836	0.900	0.836	0.900	ns
HSTL_I_12_F	0.378	0.399	0.378	0.399	0.423	0.443	0.423	0.443	0.553	0.582	0.553	0.582	ns
HSTL_I_12_M	0.378	0.399	0.378	0.399	0.551	0.582	0.551	0.582	0.642	0.679	0.642	0.679	ns
HSTL_I_12_S	0.378	0.399	0.378	0.399	0.750	0.799	0.750	0.799	0.813	0.868	0.813	0.868	ns
HSTL_I_18_F	0.322	0.339	0.322	0.339	0.456	0.474	0.456	0.474	0.576	0.606	0.576	0.606	ns
HSTL_I_18_M	0.322	0.339	0.322	0.339	0.569	0.602	0.569	0.602	0.653	0.692	0.653	0.692	ns
HSTL_I_18_S	0.322	0.339	0.322	0.339	0.781	0.833	0.781	0.833	0.816	0.871	0.816	0.871	ns
HSTL_I_DCI_12_F	0.378	0.399	0.378	0.399	0.406	0.429	0.406	0.429	0.534	0.564	0.534	0.564	ns
HSTL_I_DCI_12_M	0.378	0.399	0.378	0.399	0.556	0.586	0.556	0.586	0.654	0.694	0.654	0.694	ns
HSTL_I_DCI_12_S	0.378	0.399	0.378	0.399	0.754	0.803	0.754	0.803	0.842	0.907	0.842	0.907	ns
HSTL_I_DCI_18_F	0.321	0.339	0.321	0.339	0.445	0.461	0.445	0.461	0.566	0.595	0.566	0.595	ns
HSTL_I_DCI_18_M	0.321	0.339	0.321	0.339	0.554	0.585	0.554	0.585	0.643	0.684	0.643	0.684	ns
HSTL_I_DCI_18_S	0.321	0.339	0.321	0.339	0.761	0.817	0.761	0.817	0.836	0.900	0.836	0.900	ns
HSTL_I_DCI_F	0.393	0.415	0.393	0.415	0.431	0.445	0.431	0.445	0.555	0.575	0.555	0.575	ns
HSTL_I_DCI_M	0.393	0.415	0.393	0.415	0.552	0.581	0.552	0.581	0.644	0.684	0.644	0.684	ns
HSTL_I_DCI_S	0.393	0.415	0.393	0.415	0.766	0.821	0.766	0.821	0.847	0.912	0.847	0.912	ns
HSTL_I_F	0.378	0.399	0.378	0.399	0.423	0.443	0.423	0.443	0.549	0.581	0.549	0.581	ns
HSTL_I_M	0.378	0.399	0.378	0.399	0.554	0.585	0.554	0.585	0.640	0.677	0.640	0.677	ns
HSTL_I_S	0.378	0.399	0.378	0.399	0.766	0.816	0.766	0.816	0.811	0.866	0.811	0.866	ns
HSUL_12_DCI_F	0.378	0.399	0.378	0.399	0.425	0.443	0.425	0.443	0.558	0.586	0.558	0.586	ns
HSUL_12_DCI_M	0.378	0.399	0.378	0.399	0.556	0.586	0.556	0.586	0.654	0.694	0.654	0.694	ns
HSUL_12_DCI_S	0.378	0.399	0.378	0.399	0.736	0.784	0.736	0.784	0.821	0.886	0.821	0.886	ns
HSUL_12_F	0.378	0.399	0.378	0.399	0.412	0.430	0.412	0.430	0.538	0.566	0.538	0.566	ns
HSUL_12_M	0.378	0.399	0.378	0.399	0.551	0.582	0.551	0.582	0.642	0.679	0.642	0.679	ns
HSUL_12_S	0.378	0.399	0.378	0.399	0.750	0.799	0.750	0.799	0.813	0.868	0.813	0.868	ns
LVC MOS12_F_2	0.512	0.555	0.512	0.555	0.672	0.692	0.672	0.692	0.898	0.922	0.898	0.922	ns
LVC MOS12_F_4	0.512	0.555	0.512	0.555	0.504	0.521	0.504	0.521	0.664	0.693	0.664	0.693	ns
LVC MOS12_F_6	0.512	0.555	0.512	0.555	0.485	0.507	0.485	0.507	0.634	0.669	0.634	0.669	ns
LVC MOS12_F_8	0.512	0.555	0.512	0.555	0.465	0.489	0.465	0.489	0.611	0.666	0.611	0.666	ns
LVC MOS12_M_2	0.512	0.555	0.512	0.555	0.708	0.727	0.708	0.727	0.916	0.945	0.916	0.945	ns
LVC MOS12_M_4	0.512	0.555	0.512	0.555	0.550	0.573	0.550	0.573	0.664	0.690	0.664	0.690	ns
LVC MOS12_M_6	0.512	0.555	0.512	0.555	0.527	0.554	0.527	0.554	0.622	0.652	0.622	0.652	ns
LVC MOS12_M_8	0.512	0.555	0.512	0.555	0.540	0.571	0.540	0.571	0.614	0.649	0.614	0.649	ns



Table 76: IOB High Performance (HP) Switching Characteristics (cont'd)

I/O Standards	T <sub>INBUF_DELAY_PAD_I</sub>				T <sub>OUTBUF_DELAY_O_PAD</sub>				T <sub>OUTBUF_DELAY_TD_PAD</sub>				Units
	0.85V		0.72V		0.85V		0.72V		0.85V		0.72V		
	-2	-1	-2	-1	-2	-1	-2	-1	-2	-1	-2	-1	
LVC MOS12_S_2	0.512	0.555	0.512	0.555	0.767	0.803	0.767	0.803	0.990	1.024	0.990	1.024	ns
LVC MOS12_S_4	0.512	0.555	0.512	0.555	0.666	0.704	0.666	0.704	0.803	0.848	0.803	0.848	ns
LVC MOS12_S_6	0.512	0.555	0.512	0.555	0.657	0.695	0.657	0.695	0.732	0.774	0.732	0.774	ns
LVC MOS12_S_8	0.512	0.555	0.512	0.555	0.708	0.761	0.708	0.761	0.745	0.790	0.745	0.790	ns
LVC MOS15_F_12	0.414	0.445	0.414	0.445	0.500	0.522	0.500	0.522	0.647	0.682	0.647	0.682	ns
LVC MOS15_F_2	0.414	0.445	0.414	0.445	0.702	0.722	0.702	0.722	0.919	0.940	0.919	0.940	ns
LVC MOS15_F_4	0.414	0.445	0.414	0.445	0.579	0.601	0.579	0.601	0.755	0.781	0.755	0.781	ns
LVC MOS15_F_6	0.414	0.445	0.414	0.445	0.547	0.569	0.547	0.569	0.711	0.742	0.711	0.742	ns
LVC MOS15_F_8	0.414	0.445	0.414	0.445	0.518	0.538	0.518	0.538	0.686	0.703	0.686	0.703	ns
LVC MOS15_M_12	0.414	0.445	0.414	0.445	0.607	0.644	0.607	0.644	0.637	0.676	0.637	0.676	ns
LVC MOS15_M_2	0.414	0.445	0.414	0.445	0.741	0.770	0.741	0.770	0.938	0.962	0.938	0.962	ns
LVC MOS15_M_4	0.414	0.445	0.414	0.445	0.625	0.651	0.625	0.651	0.754	0.786	0.754	0.786	ns
LVC MOS15_M_6	0.414	0.445	0.414	0.445	0.576	0.604	0.576	0.604	0.674	0.710	0.674	0.710	ns
LVC MOS15_M_8	0.414	0.445	0.414	0.445	0.568	0.601	0.568	0.601	0.639	0.681	0.639	0.681	ns
LVC MOS15_S_12	0.414	0.445	0.414	0.445	0.788	0.855	0.788	0.855	0.695	0.733	0.695	0.733	ns
LVC MOS15_S_2	0.414	0.445	0.414	0.445	0.829	0.864	0.829	0.864	1.039	1.079	1.039	1.079	ns
LVC MOS15_S_4	0.414	0.445	0.414	0.445	0.687	0.725	0.687	0.725	0.813	0.851	0.813	0.851	ns
LVC MOS15_S_6	0.414	0.445	0.414	0.445	0.671	0.710	0.671	0.710	0.726	0.763	0.726	0.763	ns
LVC MOS15_S_8	0.414	0.445	0.414	0.445	0.704	0.755	0.704	0.755	0.721	0.758	0.721	0.758	ns
LVC MOS18_F_12	0.418	0.445	0.418	0.445	0.573	0.601	0.573	0.601	0.731	0.769	0.731	0.769	ns
LVC MOS18_F_2	0.418	0.445	0.418	0.445	0.739	0.760	0.739	0.760	0.945	0.971	0.945	0.971	ns
LVC MOS18_F_4	0.418	0.445	0.418	0.445	0.609	0.630	0.609	0.630	0.778	0.802	0.778	0.802	ns
LVC MOS18_F_6	0.418	0.445	0.418	0.445	0.603	0.633	0.603	0.633	0.781	0.808	0.781	0.808	ns
LVC MOS18_F_8	0.418	0.445	0.418	0.445	0.573	0.600	0.573	0.600	0.733	0.767	0.733	0.767	ns
LVC MOS18_M_12	0.418	0.445	0.418	0.445	0.640	0.678	0.640	0.678	0.670	0.709	0.670	0.709	ns
LVC MOS18_M_2	0.418	0.445	0.418	0.445	0.798	0.822	0.798	0.822	0.991	1.016	0.991	1.016	ns
LVC MOS18_M_4	0.418	0.445	0.418	0.445	0.664	0.693	0.664	0.693	0.798	0.836	0.798	0.836	ns
LVC MOS18_M_6	0.418	0.445	0.418	0.445	0.629	0.663	0.629	0.663	0.735	0.775	0.735	0.775	ns
LVC MOS18_M_8	0.418	0.445	0.418	0.445	0.626	0.661	0.626	0.661	0.705	0.746	0.705	0.746	ns
LVC MOS18_S_12	0.418	0.445	0.418	0.445	0.795	0.861	0.795	0.861	0.683	0.721	0.683	0.721	ns
LVC MOS18_S_2	0.418	0.445	0.418	0.445	0.862	0.897	0.862	0.897	1.076	1.098	1.076	1.098	ns
LVC MOS18_S_4	0.418	0.445	0.418	0.445	0.716	0.758	0.716	0.758	0.829	0.872	0.829	0.872	ns
LVC MOS18_S_6	0.418	0.445	0.418	0.445	0.682	0.724	0.682	0.724	0.724	0.762	0.724	0.762	ns
LVC MOS18_S_8	0.418	0.445	0.418	0.445	0.707	0.760	0.707	0.760	0.709	0.745	0.709	0.745	ns
LVDCI_15_F	0.425	0.462	0.425	0.462	0.426	0.443	0.426	0.443	0.548	0.581	0.548	0.581	ns
LVDCI_15_M	0.425	0.462	0.425	0.462	0.553	0.582	0.553	0.582	0.645	0.685	0.645	0.685	ns
LVDCI_15_S	0.425	0.462	0.425	0.462	0.749	0.803	0.749	0.803	0.821	0.890	0.821	0.890	ns
LVDCI_18_F	0.414	0.447	0.414	0.447	0.441	0.459	0.441	0.459	0.560	0.589	0.560	0.589	ns
LVDCI_18_M	0.414	0.447	0.414	0.447	0.554	0.585	0.554	0.585	0.644	0.683	0.644	0.683	ns

Table 76: IOB High Performance (HP) Switching Characteristics (cont'd)

I/O Standards	T <sub>INBUF_DELAY_PAD_I</sub>				T <sub>OUTBUF_DELAY_O_PAD</sub>				T <sub>OUTBUF_DELAY_TD_PAD</sub>				Units
	0.85V		0.72V		0.85V		0.72V		0.85V		0.72V		
	-2	-1	-2	-1	-2	-1	-2	-1	-2	-1	-2	-1	
LVDCI_18_S	0.414	0.447	0.414	0.447	0.760	0.818	0.760	0.818	0.837	0.899	0.837	0.899	ns
LVDS	0.539	0.620	0.539	0.620	0.626	0.662	0.626	0.662	960.447				ns
MIPI_DPHY_DCI_HS	0.386	0.415	0.386	0.415	0.502	0.522	0.502	0.522	N/A	N/A	N/A	N/A	ns
MIPI_DPHY_DCI_LP	8.438	8.792	8.438	8.792	0.914	0.937	0.914	0.937	N/A	N/A	N/A	N/A	ns
POD10_DCI_F	0.408	0.430	0.408	0.430	0.425	0.444	0.425	0.444	0.555	0.584	0.555	0.584	ns
POD10_DCI_M	0.408	0.430	0.408	0.430	0.542	0.571	0.542	0.571	0.640	0.681	0.640	0.681	ns
POD10_DCI_S	0.408	0.430	0.408	0.430	0.754	0.815	0.754	0.815	0.850	0.917	0.850	0.917	ns
POD10_F	0.407	0.430	0.407	0.430	0.438	0.459	0.438	0.459	0.569	0.601	0.569	0.601	ns
POD10_M	0.407	0.430	0.407	0.430	0.538	0.568	0.538	0.568	0.630	0.667	0.630	0.667	ns
POD10_S	0.407	0.430	0.407	0.430	0.766	0.821	0.766	0.821	0.836	0.894	0.836	0.894	ns
POD12_DCI_F	0.409	0.431	0.409	0.431	0.425	0.443	0.425	0.443	0.558	0.586	0.558	0.586	ns
POD12_DCI_M	0.409	0.431	0.409	0.431	0.543	0.572	0.543	0.572	0.638	0.678	0.638	0.678	ns
POD12_DCI_S	0.409	0.431	0.409	0.431	0.772	0.822	0.772	0.822	0.862	0.929	0.862	0.929	ns
POD12_F	0.409	0.431	0.409	0.431	0.455	0.476	0.455	0.476	0.595	0.626	0.595	0.626	ns
POD12_M	0.409	0.431	0.409	0.431	0.551	0.582	0.551	0.582	0.641	0.679	0.641	0.679	ns
POD12_S	0.409	0.431	0.409	0.431	0.767	0.817	0.767	0.817	0.832	0.889	0.832	0.889	ns
SLVS_400_18	0.539	0.620	0.539	0.620	N/A	N/A	N/A	N/A	N/A	N/A	N/A	N/A	ns
SSTL12_DCI_F	0.381	0.399	0.381	0.399	0.425	0.443	0.425	0.443	0.558	0.586	0.558	0.586	ns
SSTL12_DCI_M	0.381	0.399	0.381	0.399	0.557	0.587	0.557	0.587	0.654	0.694	0.654	0.694	ns
SSTL12_DCI_S	0.381	0.399	0.381	0.399	0.754	0.803	0.754	0.803	0.842	0.908	0.842	0.908	ns
SSTL12_F	0.403	0.403	0.403	0.403	0.412	0.430	0.412	0.430	0.538	0.566	0.538	0.566	ns
SSTL12_M	0.403	0.403	0.403	0.403	0.553	0.584	0.553	0.584	0.641	0.676	0.641	0.676	ns
SSTL12_S	0.403	0.403	0.403	0.403	0.758	0.808	0.758	0.808	0.823	0.879	0.823	0.879	ns
SSTL135_DCI_F	0.366	0.399	0.366	0.399	0.411	0.428	0.411	0.428	0.537	0.565	0.537	0.565	ns
SSTL135_DCI_M	0.366	0.399	0.366	0.399	0.551	0.582	0.551	0.582	0.645	0.685	0.645	0.685	ns
SSTL135_DCI_S	0.366	0.399	0.366	0.399	0.746	0.799	0.746	0.799	0.829	0.893	0.829	0.893	ns
SSTL135_F	0.378	0.399	0.378	0.399	0.408	0.428	0.408	0.428	0.528	0.561	0.528	0.561	ns
SSTL135_M	0.378	0.399	0.378	0.399	0.555	0.585	0.555	0.585	0.641	0.679	0.641	0.679	ns
SSTL135_S	0.378	0.399	0.378	0.399	0.772	0.823	0.772	0.823	0.827	0.878	0.827	0.878	ns
SSTL15_DCI_F	0.402	0.417	0.402	0.417	0.412	0.429	0.412	0.429	0.531	0.563	0.531	0.563	ns
SSTL15_DCI_M	0.402	0.417	0.402	0.417	0.553	0.583	0.553	0.583	0.645	0.685	0.645	0.685	ns
SSTL15_DCI_S	0.402	0.417	0.402	0.417	0.768	0.822	0.768	0.822	0.847	0.912	0.847	0.912	ns
SSTL15_F	0.371	0.400	0.371	0.400	0.408	0.428	0.408	0.428	0.530	0.556	0.530	0.556	ns
SSTL15_M	0.371	0.400	0.371	0.400	0.554	0.585	0.554	0.585	0.639	0.677	0.639	0.677	ns
SSTL15_S	0.371	0.400	0.371	0.400	0.767	0.817	0.767	0.817	0.813	0.867	0.813	0.867	ns
SSTL18_I_DCI_F	0.329	0.336	0.329	0.336	0.445	0.461	0.445	0.461	0.566	0.595	0.566	0.595	ns
SSTL18_I_DCI_M	0.329	0.336	0.329	0.336	0.554	0.585	0.554	0.585	0.644	0.683	0.644	0.683	ns
SSTL18_I_DCI_S	0.329	0.336	0.329	0.336	0.762	0.818	0.762	0.818	0.837	0.899	0.837	0.899	ns
SSTL18_I_F	0.316	0.337	0.316	0.337	0.454	0.476	0.454	0.476	0.578	0.608	0.578	0.608	ns

Table 76: IOB High Performance (HP) Switching Characteristics (cont'd)

I/O Standards	$T_{INBUF\_DELAY\_PAD\_I}$				$T_{OUTBUF\_DELAY\_O\_PAD}$				$T_{OUTBUF\_DELAY\_TD\_PAD}$				Units
	0.85V		0.72V		0.85V		0.72V		0.85V		0.72V		
	-2	-1	-2	-1	-2	-1	-2	-1	-2	-1	-2	-1	
SSTL18_I_M	0.316	0.337	0.316	0.337	0.571	0.603	0.571	0.603	0.652	0.692	0.652	0.692	ns
SSTL18_I_S	0.316	0.337	0.316	0.337	0.782	0.835	0.782	0.835	0.816	0.870	0.816	0.870	ns
SUB_LVDS	0.539	0.620	0.539	0.620	0.660	0.692	0.660	0.692	969.863				ns

## IOB 3-state Output Switching Characteristics

Table 77 specifies the values of  $T_{OUTBUF\_DELAY\_TE\_PAD}$  and  $T_{INBUF\_DELAY\_IBUFDIS\_O}$ .

- $T_{OUTBUF\_DELAY\_TE\_PAD}$  is the delay from the T pin to the IOB pad through the output buffer of an IOB pad, when 3-state is enabled (i.e., a high impedance state).
- $T_{INBUF\_DELAY\_IBUFDIS\_O}$  is the IOB delay from IBUFDISABLE to O output.
- In HP I/O banks, the internal DCI termination turn-off time is always faster than  $T_{OUTBUF\_DELAY\_TE\_PAD}$  when the DCITERMDISABLE pin is used.
- In HD I/O banks, the internal IN\_TERM termination turn-off time is always faster than  $T_{OUTBUF\_DELAY\_TE\_PAD}$  when the INTERMDISABLE pin is used.

Table 77: IOB 3-state Output Switching Characteristics

Symbol	Description	Speed Grade and $V_{CCINT}$ Operating Voltages				Units
		0.85V		0.72V		
		-2	-1	-2	-1	
$T_{OUTBUF\_DELAY\_TE\_PAD}$	T input to pad high-impedance for HD I/O banks	6.318	6.369	6.699	6.752	ns
	T input to pad high-impedance for HP I/O banks	5.330	5.341	5.330	5.341	ns
$T_{INBUF\_DELAY\_IBUFDIS\_O}$	IBUF turn-on time from IBUFDISABLE to O output for HD I/O banks	2.266	2.430	2.266	2.430	ns
	IBUF turn-on time from IBUFDISABLE to O output for HP I/O banks	0.936	1.037	0.936	1.037	ns

## Input Delay Measurement Methodology

The following table shows the test setup parameters used for measuring input delay.

Table 78: Input Delay Measurement Methodology

Description	I/O Standard Attribute	$V_L^{1,2}$	$V_H^{1,2}$	$V_{MEAS}^{1,4}$	$V_{REF}^{1,3,5}$
LVC MOS, 1.2V	LVC MOS12	0.1	1.1	0.6	-
LVC MOS, LVDCI, HSLVDCI, 1.5V	LVC MOS15, LVDCI_15, HSLVDCI_15	0.1	1.4	0.75	-
LVC MOS, LVDCI, HSLVDCI, 1.8V	LVC MOS18, LVDCI_18, HSLVDCI_18	0.1	1.7	0.9	-

Table 78: Input Delay Measurement Methodology (cont'd)

Description	I/O Standard Attribute	$V_L^{1,2}$	$V_H^{1,2}$	$V_{MEAS}^{1,4}$	$V_{REF}^{1,3,5}$
LVC MOS, 2.5V	LVC MOS25	0.1	2.4	1.25	–
LVC MOS, 3.3V	LVC MOS33	0.1	3.2	1.65	–
LVTTL, 3.3V	LVTTL	0.1	3.2	1.65	–
HSTL (high-speed transceiver logic), class I, 1.2V	HSTL_I_12	$V_{REF} - 0.25$	$V_{REF} + 0.25$	$V_{REF}$	0.6
HSTL, class I, 1.5V	HSTL_I	$V_{REF} - 0.325$	$V_{REF} + 0.325$	$V_{REF}$	0.75
HSTL, class I, 1.8V	HSTL_I_18	$V_{REF} - 0.4$	$V_{REF} + 0.4$	$V_{REF}$	0.9
HSUL (high-speed unterminated logic), 1.2V	HSUL_12	$V_{REF} - 0.25$	$V_{REF} + 0.25$	$V_{REF}$	0.6
SSTL12 (stub series terminated logic), 1.2V	SSTL12	$V_{REF} - 0.25$	$V_{REF} + 0.25$	$V_{REF}$	0.6
SSTL135 and SSTL135 class II, 1.35V	SSTL135, SSTL135_II	$V_{REF} - 0.2875$	$V_{REF} + 0.2875$	$V_{REF}$	0.675
SSTL15 and SSTL15 class II, 1.5V	SSTL15, SSTL15_II	$V_{REF} - 0.325$	$V_{REF} + 0.325$	$V_{REF}$	0.75
SSTL18, class I and II, 1.8V	SSTL18_I, SSTL18_II	$V_{REF} - 0.4$	$V_{REF} + 0.4$	$V_{REF}$	0.9
POD10, 1.0V	POD10	$V_{REF} - 0.2$	$V_{REF} + 0.2$	$V_{REF}$	0.7
POD12, 1.2V	POD12	$V_{REF} - 0.24$	$V_{REF} + 0.24$	$V_{REF}$	0.84
DIFF_HSTL, class I, 1.2V	DIFF_HSTL_I_12	$0.6 - 0.25$	$0.6 + 0.25$	$0^6$	–
DIFF_HSTL, class I, 1.5V	DIFF_HSTL_I	$0.75 - 0.325$	$0.75 + 0.325$	$0^6$	–
DIFF_HSTL, class I, 1.8V	DIFF_HSTL_I_18	$0.9 - 0.4$	$0.9 + 0.4$	$0^6$	–
DIFF_HSUL, 1.2V	DIFF_HSUL_12	$0.6 - 0.25$	$0.6 + 0.25$	$0^6$	–
DIFF_SSTL, 1.2V	DIFF_SSTL12	$0.6 - 0.25$	$0.6 + 0.25$	$0^6$	–
DIFF_SSTL135 and DIFF_SSTL135 class II, 1.35V	DIFF_SSTL135, DIFF_SSTL135_II	$0.675 - 0.2875$	$0.675 + 0.2875$	$0^6$	–
DIFF_SSTL15 and DIFF_SSTL15 class II, 1.5V	DIFF_SSTL15, DIFF_SSTL15_II	$0.75 - 0.325$	$0.75 + 0.325$	$0^6$	–
DIFF_SSTL18_I, DIFF_SSTL18_II, 1.8V	DIFF_SSTL18_I, DIFF_SSTL18_II	$0.9 - 0.4$	$0.9 + 0.4$	$0^6$	–
DIFF_POD10, 1.0V	DIFF_POD10	$0.5 - 0.2$	$0.5 + 0.2$	$0^6$	–
DIFF_POD12, 1.2V	DIFF_POD12	$0.6 - 0.25$	$0.6 + 0.25$	$0^6$	–
LVDS (low-voltage differential signaling), 1.8V	LVDS	$0.9 - 0.125$	$0.9 + 0.125$	$0^6$	–
LVDS_25, 2.5V	LVDS_25	$1.25 - 0.125$	$1.25 + 0.125$	$0^6$	–
SUB_LVDS, 1.8V	SUB_LVDS	$0.9 - 0.125$	$0.9 + 0.125$	$0^6$	–
SLVS, 1.8V	SLVS_400_18	$0.9 - 0.125$	$0.9 + 0.125$	$0^6$	–
SLVS, 2.5V	SLVS_400_25	$1.25 - 0.125$	$1.25 + 0.125$	$0^6$	–
LVPECL, 2.5V	LVPECL	$1.25 - 0.125$	$1.25 + 0.125$	$0^6$	–
MIPI D-PHY (high speed) 1.2V	MIPI_DPHY_DCI_HS	$0.2 - 0.125$	$0.2 + 0.125$	$0^6$	–
MIPI D-PHY (low power) 1.2V	MIPI_DPHY_DCI_LP	$0.715 - 0.2$	$0.715 + 0.2$	$0^6$	–

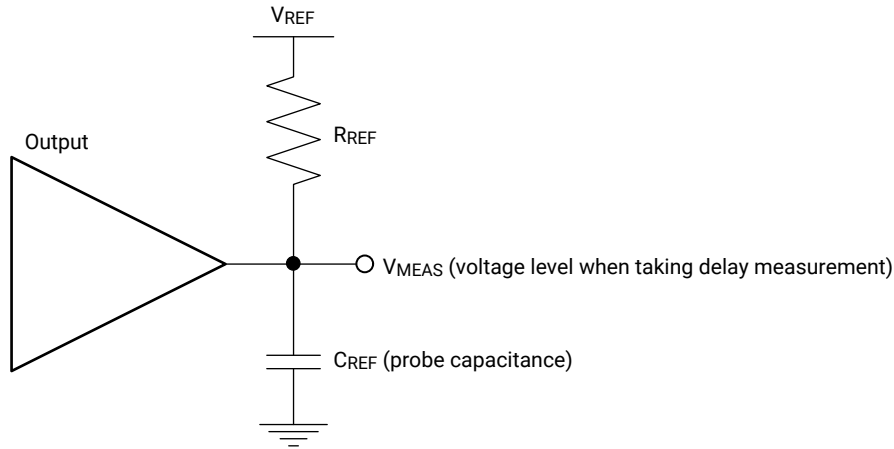
**Notes:**

1. The input delay measurement methodology parameters for LVDCI/HSLVDCI are the same for LVC MOS standards of the same voltage. Parameters for all other DCI standards are the same for the corresponding non-DCI standards.
2. Input waveform switches between  $V_L$  and  $V_H$ .
3. Measurements are made at typical, minimum, and maximum  $V_{REF}$  values. Reported delays reflect worst case of these measurements.  $V_{REF}$  values listed are typical.
4. Input voltage level from which measurement starts.
5. This is an input voltage reference that bears no relation to the  $V_{REF}/V_{MEAS}$  parameters found in IBIS models and/or noted in Figure 1.
6. The value given is the differential input voltage.

## Output Delay Measurement Methodology

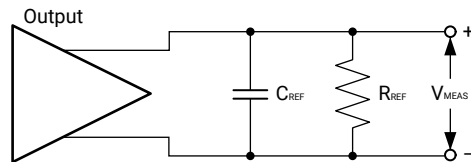
Output delays are measured with short output traces. Standard termination was used for all testing. The propagation delay of the trace is characterized separately and subtracted from the final measurement, and is therefore not included in the generalized test setups shown in [Figure 1](#) and [Figure 2](#).

Figure 1: Single-Ended Test Setup



X16654-072117

Figure 2: Differential Test Setup



X16640-072117

Parameters  $V_{REF}$ ,  $R_{REF}$ ,  $C_{REF}$ , and  $V_{MEAS}$  fully describe the test conditions for each I/O standard. The most accurate prediction of propagation delay in any given application can be obtained through IBIS simulation, using this method:

1. Simulate the output driver of choice into the generalized test setup using values from [Table 79](#).
2. Record the time to  $V_{MEAS}$ .
3. Simulate the output driver of choice into the actual PCB trace and load using the appropriate IBIS model or capacitance value to represent the load.
4. Record the time to  $V_{MEAS}$ .
5. Compare the results of step 2 and step 4. The increase or decrease in delay yields the actual propagation delay of the PCB trace.

Table 79: Output Delay Measurement Methodology

Description	I/O Standard Attribute	$R_{REF}$ ( $\Omega$ )	$C_{REF}^1$ (pF)	$V_{MEAS}$ (V)	$V_{REF}$ (V)
LVC MOS, 1.2V	LVC MOS12	1M	0	0.6	0

**Table 79: Output Delay Measurement Methodology (cont'd)**

Description	I/O Standard Attribute	R <sub>REF</sub> (Ω)	C <sub>REF</sub> <sup>1</sup> (pF)	V <sub>MEAS</sub> (V)	V <sub>REF</sub> (V)
LVC MOS, 1.5V	LVC MOS15	1M	0	0.75	0
LVC MOS, 1.8V	LVC MOS18	1M	0	0.9	0
LVC MOS, 2.5V	LVC MOS25	1M	0	1.25	0
LVC MOS, 3.3V	LVC MOS33	1M	0	1.65	0
LV TTL, 3.3V	LV TTL	1M	0	1.65	0
LVDCI, HSLVDCI, 1.5V	LVDCI_15, HSLVDCI_15	50	0	V <sub>REF</sub>	0.75
LVDCI, HSLVDCI, 1.8V	LVDCI_15, HSLVDCI_18	50	0	V <sub>REF</sub>	0.9
HSTL (high-speed transceiver logic), class I, 1.2V	HSTL_I_12	50	0	V <sub>REF</sub>	0.6
HSTL, class I, 1.5V	HSTL_I	50	0	V <sub>REF</sub>	0.75
HSTL, class I, 1.8V	HSTL_I_18	50	0	V <sub>REF</sub>	0.9
HSUL (high-speed unterminated logic), 1.2V	HSUL_12	50	0	V <sub>REF</sub>	0.6
SSTL12 (stub series terminated logic), 1.2V	SSTL12	50	0	V <sub>REF</sub>	0.6
SSTL135 and SSTL135 class II, 1.35V	SSTL135, SSTL135_II	50	0	V <sub>REF</sub>	0.675
SSTL15 and SSTL15 class II, 1.5V	SSTL15, SSTL15_II	50	0	V <sub>REF</sub>	0.75
SSTL18, class I and class II, 1.8V	SSTL18_I, SSTL18_II	50	0	V <sub>REF</sub>	0.9
POD10, 1.0V	POD10	50	0	V <sub>REF</sub>	1.0
POD12, 1.2V	POD12	50	0	V <sub>REF</sub>	1.2
DIFF_HSTL, class I, 1.2V	DIFF_HSTL_I_12	50	0	V <sub>REF</sub>	0.6
DIFF_HSTL, class I, 1.5V	DIFF_HSTL_I	50	0	V <sub>REF</sub>	0.75
DIFF_HSTL, class I, 1.8V	DIFF_HSTL_I_18	50	0	V <sub>REF</sub>	0.9
DIFF_HSUL, 1.2V	DIFF_HSUL_12	50	0	V <sub>REF</sub>	0.6
DIFF_SSTL12, 1.2V	DIFF_SSTL12	50	0	V <sub>REF</sub>	0.6
DIFF_SSTL135 and DIFF_SSTL135 class II, 1.35V	DIFF_SSTL135, DIFF_SSTL135_II	50	0	V <sub>REF</sub>	0.675
DIFF_SSTL15 and DIFF_SSTL15 class II, 1.5V	DIFF_SSTL15, DIFF_SSTL15_II	50	0	V <sub>REF</sub>	0.75
DIFF_SSTL18, class I and II, 1.8V	DIFF_SSTL18_I, DIFF_SSTL18_II	50	0	V <sub>REF</sub>	0.9
DIFF_POD10, 1.0V	DIFF_POD10	50	0	V <sub>REF</sub>	1.0
DIFF_POD12, 1.2V	DIFF_POD12	50	0	V <sub>REF</sub>	1.2
LVDS (low-voltage differential signaling), 1.8V	LVDS	100	0	0 <sup>2</sup>	0
SUB_LVDS, 1.8V	SUB_LVDS	100	0	0 <sup>2</sup>	0
MIPI D-PHY (high speed) 1.2V	MIPI_DPHY_DCI_HS	100	0	0 <sup>2</sup>	0
MIPI D-PHY (low power) 1.2V	MIPI_DPHY_DCI_LP	1M	0	0.6	0

**Notes:**

1. C<sub>REF</sub> is the capacitance of the probe, nominally 0 pF.
2. The value given is the differential output voltage.

## Block RAM and FIFO Switching Characteristics

Table 80: Block RAM and FIFO Switching Characteristics

Symbol	Description	Speed Grade and V <sub>CCINT</sub> Operating Voltages					Units
		0.85V		0.72V			
		-2E/-2I/ -2LE	-1E/-1I/ -1M/-1LI	-2LE	-2LI	-1LI	
<b>Maximum Frequency</b>							
F <sub>MAX_WF_NC</sub>	Block RAM (WRITE_FIRST and NO_CHANGE modes)	738	645	585	516	516	MHz
F <sub>MAX_RF</sub>	Block RAM (READ_FIRST mode)	637	575	510	495	460	MHz
F <sub>MAX_FIFO</sub>	FIFO in all modes without ECC	738	645	585	516	516	MHz
F <sub>MAX_ECC</sub>	Block RAM and FIFO in ECC configuration without PIPELINE	637	575	510	460	460	MHz
	Block RAM and FIFO in ECC configuration with PIPELINE and Block RAM in WRITE_FIRST or NO_CHANGE mode	738	645	585	516	516	MHz
T <sub>PW</sub> <sup>1</sup>	Minimum pulse width	542	543	577	578	578	ps
<b>Block RAM and FIFO Clock-to-Out Delays</b>							
T <sub>RCKO_DO</sub>	Clock CLK to DOUT output (without output register)	1.02	1.11	1.46	1.46	1.53	ns, Max
T <sub>RCKO_DO_REG</sub>	Clock CLK to DOUT output (with output register)	0.29	0.30	0.42	0.42	0.44	ns, Max

**Notes:**

1. The MMCM and PLL DUTY\_CYCLE attribute should be set to 50% to meet the pulse-width requirements at the higher frequencies.

## UltraRAM Switching Characteristics

The *UltraScale Architecture and Product Data Sheet: Overview* ([DS890](#)) lists the Zynq UltraScale+ RFSocS that include this memory.

Table 81: UltraRAM Switching Characteristics

Symbol	Description	Speed Grade and V <sub>CCINT</sub> Operating Voltages					Units
		0.85V		0.72V			
		-2E/-2I/ -2LE	-1E/-1I/ -1M/-1LI	-2LE	-2LI	-1LI	
<b>Maximum Frequency</b>							
F <sub>MAX</sub>	UltraRAM maximum frequency with OREG_B = True	600	575	500	495	481	MHz
F <sub>MAX_ECC_NOPIPELINE</sub>	UltraRAM maximum frequency with OREG_B = False and EN_ECC_RD_B = True	400	386	312	303	303	MHz
F <sub>MAX_NOPIPELINE</sub>	UltraRAM maximum frequency with OREG_B = False and EN_ECC_RD_B = False	500	478	404	389	389	MHz
T <sub>PW</sub> <sup>1</sup>	Minimum pulse width	700	730	800	832	832	ps
T <sub>RSTPW</sub>	Asynchronous reset minimum pulse width. One cycle required	1 clock cycle					

**Notes:**

- The MMCM and PLL DUTY\_CYCLE attribute should be set to 50% to meet the pulse-width requirements at the higher frequencies.

## Input/Output Delay Switching Characteristics

Table 82: Input/Output Delay Switching Characteristics

Symbol	Description	Speed Grade and V <sub>CCINT</sub> Operating Voltages				Units
		0.85V		0.72V		
		-2	-1	-2	-1	
F <sub>REFCLK</sub>	Reference clock frequency for IDELAYCTRL (component mode)	300 to 800				MHz
	Reference clock frequency when using BITSlice_CONTROL with REFCLK (in native mode (for RX_BITSlice only))	300 to 800				MHz
	Reference clock frequency for BITSlice_CONTROL with PLL_CLK (in native mode) <sup>1</sup>	300 to 2666.67	300 to 2400	300 to 2400	300 to 2133	MHz
T <sub>MINPER_CLK</sub>	Minimum period for IODELAY clock	3.195	3.195	3.195	3.195	ns
T <sub>MINPER_RST</sub>	Minimum reset pulse width	52.00				ns
T <sub>IDELAY_RESOLUTION/</sub> T <sub>ODELAY_RESOLUTION</sub>	IDELAY/ODELAY chain resolution	2.1 to 12				ps

**Notes:**

- PLL settings could restrict the minimum allowable data rate. For example, when using a PLL with CLKOUTPHY\_MODE = VCO\_HALF, the minimum frequency is PLL\_F<sub>VCOMIN</sub>/2.



## DSP48 Slice Switching Characteristics

Table 83: DSP48 Slice Switching Characteristics

Symbol	Description	Speed Grade and V <sub>CCINT</sub> Operating Voltages					Units
		0.85V		0.72V			
		-2E/-2I/ -2LE	-1E/-1I/ -1M/-1LI	-2LE	-2LI	-1LI	
<b>Maximum Frequency</b>							
F <sub>MAX</sub>	With all registers used	775	645	644	600	600	MHz
F <sub>MAX_PATDET</sub>	With pattern detector	687	571	562	524	524	MHz
F <sub>MAX_MULT_NOMREG</sub>	Two register multiply without MREG	544	456	440	413	413	MHz
F <sub>MAX_MULT_NOMREG_PATDET</sub>	Two register multiply without MREG with pattern detect	492	410	395	371	371	MHz
F <sub>MAX_PREADD_NOADREG</sub>	Without ADREG	565	468	453	423	423	MHz
F <sub>MAX_NOPIPELINEREG</sub>	Without pipeline registers (MREG, ADREG)	410	338	323	304	304	MHz
F <sub>MAX_NOPIPELINEREG_PATDET</sub>	Without pipeline registers (MREG, ADREG) with pattern detect	379	314	299	280	280	MHz

## Clock Buffers and Networks

Table 84: Clock Buffers Switching Characteristics

Symbol	Description	Speed Grade and V <sub>CCINT</sub> Operating Voltages				Units
		0.85V		0.72V		
		-2	-1	-2	-1	
<b>Global Clock Switching Characteristics (Including BUFGCTRL)</b>						
F <sub>MAX</sub>	Maximum frequency of a global clock tree (BUFG)	775	667	725	667	MHz
<b>Global Clock Buffer with Input Divide Capability (BUFGCE_DIV)</b>						
F <sub>MAX</sub>	Maximum frequency of a global clock buffer with input divide capability (BUFGCE_DIV)	775	667	725	667	MHz
<b>Global Clock Buffer with Clock Enable (BUFGCE)</b>						
F <sub>MAX</sub>	Maximum frequency of a global clock buffer with clock enable (BUFGCE)	775	667	725	667	MHz
<b>Leaf Clock Buffer with Clock Enable (BUFCE_LEAF)</b>						
F <sub>MAX</sub>	Maximum frequency of a leaf clock buffer with clock enable (BUFCE_LEAF)	775	667	725	667	MHz
<b>GTY Clock Buffer with Clock Enable and Clock Input Divide Capability (BUFG_GT)</b>						
F <sub>MAX</sub>	Maximum frequency of a serial transceiver clock buffer with clock enable and clock input divide capability	512	512	512	512	MHz

## MMCM Switching Characteristics

Table 85: MMCM Specification

Symbol	Description	Speed Grade and V <sub>CCINT</sub> Operating Voltages				Units
		0.85V		0.72V		
		-2	-1	-2	-1	
MMCM_F <sub>INMAX</sub>	Maximum input clock frequency	933	800	933	800	MHz
MMCM_F <sub>INMIN</sub>	Minimum input clock frequency	10	10	10	10	MHz
MMCM_F <sub>INJITTER</sub>	Maximum input clock period jitter	< 20% of clock input period or 1 ns Max				
MMCM_F <sub>INDUTY</sub>	Input duty cycle range: 10–49 MHz	25–75				%
	Input duty cycle range: 50–199 MHz	30–70				%
	Input duty cycle range: 200–399 MHz	35–65				%
	Input duty cycle range: 400–499 MHz	40–60				%
	Input duty cycle range: >500 MHz	45–55				%
MMCM_F <sub>MIN_PSCLK</sub>	Minimum dynamic phase shift clock frequency	0.01	0.01	0.01	0.01	MHz
MMCM_F <sub>MAX_PSCLK</sub>	Maximum dynamic phase shift clock frequency	500	450	500	450	MHz
MMCM_F <sub>VCOMIN</sub>	Minimum MMCM VCO frequency	800	800	800	800	MHz
MMCM_F <sub>VCOMAX</sub>	Maximum MMCM VCO frequency	1600	1600	1600	1600	MHz
MMCM_F <sub>BANDWIDTH</sub>	Low MMCM bandwidth at typical <sup>1</sup>	1.00	1.00	1.00	1.00	MHz
	High MMCM bandwidth at typical <sup>1</sup>	4.00	4.00	4.00	4.00	MHz
MMCM_T <sub>STATPHAOFFSET</sub>	Static phase offset of the MMCM outputs <sup>2</sup>	0.12	0.12	0.12	0.12	ns
MMCM_T <sub>OUTJITTER</sub>	MMCM output jitter.	Note 3				
MMCM_T <sub>OUTDUTY</sub>	MMCM output clock duty cycle precision <sup>4</sup>	0.20	0.20	0.20	0.20	ns
MMCM_T <sub>LOCKMAX</sub>	MMCM maximum lock time for MMCM_F <sub>PFDMIN</sub>	100	100	100	100	µs
MMCM_F <sub>OUTMAX</sub>	MMCM maximum output frequency	775	667	725	667	MHz
MMCM_F <sub>OUTMIN</sub>	MMCM minimum output frequency <sup>4, 5</sup>	6.25	6.25	6.25	6.25	MHz
MMCM_T <sub>EXTFDVAR</sub>	External clock feedback variation	< 20% of clock input period or 1 ns Max				
MMCM_RST <sub>MINPULSE</sub>	Minimum reset pulse width	5.00	5.00	5.00	5.00	ns
MMCM_F <sub>PFDMAX</sub>	Maximum frequency at the phase frequency detector	500	450	500	450	MHz
MMCM_F <sub>PFDMIN</sub>	Minimum frequency at the phase frequency detector	10	10	10	10	MHz
MMCM_T <sub>FBDelay</sub>	Maximum delay in the feedback path	5 ns Max or one clock cycle				
MMCM_F <sub>DPRCLK_MAX</sub>	Maximum DRP clock frequency	250	250	250	250	MHz

**Notes:**

1. The MMCM does not filter typical spread-spectrum input clocks because they are usually far below the bandwidth filter frequencies.
2. The static offset is measured between any MMCM outputs with identical phase.
3. Values for this parameter are available in the Clocking Wizard.
4. Includes global clock buffer.
5. Calculated as F<sub>VCO</sub>/128 assuming output duty cycle is 50%.

## PLL Switching Characteristics

Table 86: PLL Specification

Symbol	Description <sup>1</sup>	Speed Grade and V <sub>CCINT</sub> Operating Voltages				Units
		0.85V		0.72V		
		-2	-1	-2	-1	
PLL_F <sub>INMAX</sub>	Maximum input clock frequency	933	800	933	800	MHz
PLL_F <sub>INMIN</sub>	Minimum input clock frequency	70	70	70	70	MHz
PLL_F <sub>INJITTER</sub>	Maximum input clock period jitter	< 20% of clock input period or 1 ns Max				
PLL_F <sub>INDUTY</sub>	Input duty cycle range: 70–399 MHz	35–65				%
	Input duty cycle range: 400–499 MHz	40–60				%
	Input duty cycle range: >500 MHz	45–55				%
PLL_F <sub>VCOMIN</sub>	Minimum PLL VCO frequency	750	750	750	750	MHz
PLL_F <sub>VCOMAX</sub>	Maximum PLL VCO frequency	1500	1500	1500	1500	MHz
PLL_T <sub>STATPHAOFFSET</sub>	Static phase offset of the PLL outputs <sup>2</sup>	0.12	0.12	0.12	0.12	ns
PLL_T <sub>OUTJITTER</sub>	PLL output jitter.	Note 3				
PLL_T <sub>OUTDUTY</sub>	PLL CLKOUT0, CLKOUT0B, CLKOUT1, CLKOUT1B duty-cycle precision <sup>4</sup>	0.20	0.20	0.20	0.20	ns
PLL_T <sub>LOCKMAX</sub>	PLL maximum lock time	100				µs
PLL_F <sub>OUTMAX</sub>	PLL maximum output frequency at CLKOUT0, CLKOUT0B, CLKOUT1, CLKOUT1B	775	667	725	667	MHz
	PLL maximum output frequency at CLKOUTPHY	2667	2400	2400	2133	MHz
PLL_F <sub>OUTMIN</sub>	PLL minimum output frequency at CLKOUT0, CLKOUT0B, CLKOUT1, CLKOUT1B <sup>5</sup>	5.86	5.86	5.86	5.86	MHz
	PLL minimum output frequency at CLKOUTPHY	2 x VCO mode: 1500, 1 x VCO mode: 750, 0.5 x VCO mode: 375				MHz
PLL_RST <sub>MINPULSE</sub>	Minimum reset pulse width	5.00	5.00	5.00	5.00	ns
PLL_F <sub>PFDMAX</sub>	Maximum frequency at the phase frequency detector	667.5	667.5	667.5	667.5	MHz
PLL_F <sub>PFDMIN</sub>	Minimum frequency at the phase frequency detector	70	70	70	70	MHz
PLL_F <sub>BANDWIDTH</sub>	PLL bandwidth at typical	14	14	14	14	MHz
PLL_F <sub>DPRCLK_MAX</sub>	Maximum DRP clock frequency	250	250	250	250	MHz

**Notes:**

1. The PLL does not filter typical spread-spectrum input clocks because they are usually far below the loop filter frequencies.
2. The static offset is measured between any PLL outputs with identical phase.
3. Values for this parameter are available in the Clocking Wizard.
4. Includes global clock buffer.
5. Calculated as F<sub>VCO</sub>/128 assuming output duty cycle is 50%.

## RF-ADC/RF-DAC to PL Interface Switching Characteristics

The following table outlines the performance of the AXI4 interface.

**Table 87: RF-ADC/RF-DAC to PL Interface Performance**

Symbol	Description <sup>1</sup>	Min	Max	Units
F <sub>AXI_LITE_CLK</sub>	AXI4-Lite clock frequency	10	250	MHz
F <sub>ADC_GEARBOX_FIFO</sub>	Maximum RF-ADC tile interface clock frequency for ZU25DR, ZU27DR, ZU28DR, ZU29DR, and ZU39DR	-	520	MHz
	Maximum RF-ADC tile interface clock frequency for ZU42DR, ZU43DR, ZU46DR, ZU47DR, ZU48DR, ZU49DR, ZU65DR, and ZU67DR	-	614	MHz
F <sub>DAC_GEARBOX_FIFO</sub>	Maximum RF-DAC tile interface clock frequency for ZU25DR, ZU27DR, ZU28DR, ZU29DR, and ZU39DR	-	500	MHz
	Maximum RF-DAC tile interface clock frequency for ZU42DR, ZU43DR, ZU46DR, ZU47DR, ZU48DR, ZU49DR, ZU65DR, and ZU67DR with digital up converter (DUC) enabled	-	614	MHz
	Maximum RF-DAC tile interface clock frequency for ZU42DR, ZU43DR, ZU46DR, ZU47DR, ZU48DR, ZU49DR, ZU65DR, and ZU67DR with DUC bypassed	-	625	MHz

**Notes:**

1. See the *Zynq UltraScale+ RFSoc RF Data Converter LogiCORE IP Product Guide (PG269)* for information on the AXI4-Stream clock frequencies needed to achieve data transfer for specific DAC and ADC interface settings.

## Device Pin-to-Pin Output Parameter Guidelines

The pin-to-pin numbers in the following tables are based on the clock root placement in the center of the device. The actual pin-to-pin values will vary if the root placement selected is different. Consult the Vivado Design Suite timing report for the actual pin-to-pin values.

Table 88: Global Clock Input to Output Delay Without MMCM (Near Clock Region)

Symbol	Description <sup>1</sup>	Device	Speed Grade and V <sub>CCINT</sub> Operating Voltages				Units
			0.85V		0.72V		
			-2	-1	-2	-1	
<b>SSTL15 Global Clock Input to Output Delay using Output Flip-Flop, Fast Slew Rate, <i>without</i> MMCM</b>							
T <sub>ICKOF</sub>	Global clock input and output flip-flop <i>without</i> MMCM (near clock region)	XCZU21DR	6.26	6.73	7.80	8.36	ns
		XCZU25DR	6.05	6.50	7.55	8.09	ns
		XCZU27DR	6.26	6.73	7.80	8.36	ns
		XCZU28DR	6.26	6.73	7.80	8.36	ns
		XCZU29DR	6.26	6.73	7.80	8.36	ns
		XCZU39DR	6.26	N/A	7.80	N/A	ns
		XQZU21DR	6.26	6.73	N/A	8.36	ns
		XQZU28DR	6.26	6.73	N/A	8.36	ns
		XQZU29DR	6.26	6.73	N/A	8.36	ns
		XCZU42DR	6.28	6.77	7.86	8.42	ns
		XCZU43DR	6.26	6.73	7.80	8.36	ns
		XCZU46DR	6.26	6.73	7.80	8.36	ns
		XCZU47DR	6.26	6.73	7.80	8.36	ns
		XCZU48DR	6.26	6.73	7.80	8.36	ns
		XCZU49DR	6.26	6.73	7.80	8.36	ns
		XQZU48DR	6.26	6.73	7.80	8.36	ns
		XQZU49DR	6.26	6.73	7.80	8.36	ns
		XCZU65DR	6.28	6.77	7.86	8.42	ns
		XCZU67DR	6.28	6.77	7.86	8.42	ns
		XQZU65DR	6.28	6.77	7.86	8.42	ns
XQZU67DR	6.28	6.77	7.86	8.42	ns		

**Notes:**

1. This table lists representative values where one global clock input drives one vertical clock line in each accessible column, and where all accessible I/O and CLB flip-flops are clocked by the global clock net.

**Table 89: Global Clock Input to Output Delay Without MMCM (Far Clock Region)**

Symbol	Description <sup>1</sup>	Device	Speed Grade and V <sub>CCINT</sub> Operating Voltages				Units
			0.85V		0.72V		
			-2	-1	-2	-1	
<b>SSTL15 Global Clock Input to Output Delay using Output Flip-Flop, Fast Slew Rate, <i>without</i> MMCM</b>							
T <sub>ICKOF_FAR</sub>	Global clock input and output flip-flop <i>without</i> MMCM (far clock region)	XCZU21DR	6.89	7.39	8.64	9.27	ns
		XCZU25DR	6.48	6.96	8.11	8.71	ns
		XCZU27DR	6.89	7.39	8.64	9.27	ns
		XCZU28DR	6.89	7.39	8.64	9.27	ns
		XCZU29DR	6.89	7.39	8.64	9.27	ns
		XCZU39DR	6.89	N/A	8.64	N/A	ns
		XQZU21DR	6.89	7.39	N/A	9.27	ns
		XQZU28DR	6.89	7.39	N/A	9.27	ns
		XQZU29DR	6.89	7.39	N/A	9.27	ns
		XCZU42DR	6.05	6.51	7.64	8.20	ns
		XCZU43DR	6.89	7.39	8.64	9.27	ns
		XCZU46DR	6.89	7.39	8.64	9.27	ns
		XCZU47DR	6.89	7.39	8.64	9.27	ns
		XCZU48DR	6.89	7.39	8.64	9.27	ns
		XCZU49DR	6.89	7.39	8.64	9.27	ns
		XQZU48DR	6.89	7.39	8.64	9.27	ns
		XQZU49DR	6.89	7.39	8.64	9.27	ns
		XCZU65DR	6.05	6.51	7.64	8.20	ns
		XCZU67DR	6.05	6.51	7.64	8.20	ns
		XQZU65DR	6.05	6.51	7.64	8.20	ns
XQZU67DR	6.05	6.51	7.64	8.20	ns		

**Notes:**

1. This table lists representative values where one global clock input drives one vertical clock line in each accessible column, and where all accessible I/O and CLB flip-flops are clocked by the global clock net.

Table 90: Global Clock Input to Output Delay With MMCM

Symbol	Description <sup>1,2</sup>	Device	Speed Grade and V <sub>CCINT</sub> Operating Voltages				Units
			0.85V		0.72V		
			-2	-1	-2	-1	
<b>SSTL15 Global Clock Input to Output Delay using Output Flip-Flop, Fast Slew Rate, with MMCM</b>							
T <sub>ICKOFFMMCMCC</sub>	Global clock input and output flip-flop with MMCM	XCZU21DR	2.31	2.53	2.97	3.13	ns
		XCZU25DR	2.28	2.49	2.96	3.12	ns
		XCZU27DR	2.31	2.53	2.97	3.13	ns
		XCZU28DR	2.31	2.53	2.97	3.13	ns
		XCZU29DR	2.31	2.53	2.97	3.13	ns
		XCZU39DR	2.31	N/A	2.97	N/A	ns
		XQZU21DR	2.31	2.53	N/A	3.13	ns
		XQZU28DR	2.31	2.53	N/A	3.13	ns
		XQZU29DR	2.31	2.53	N/A	3.13	ns
		XCZU42DR	2.22	2.43	2.87	3.02	ns
		XCZU43DR	2.31	2.53	2.97	3.13	ns
		XCZU46DR	2.31	2.53	2.97	3.13	ns
		XCZU47DR	2.31	2.53	2.97	3.13	ns
		XCZU48DR	2.31	2.53	2.97	3.13	ns
		XCZU49DR	2.31	2.53	2.97	3.13	ns
		XQZU48DR	2.31	2.53	2.97	3.13	ns
		XQZU49DR	2.31	2.53	2.97	3.13	ns
		XCZU65DR	2.22	2.43	2.87	3.02	ns
		XCZU67DR	2.22	2.43	2.87	3.02	ns
		XQZU65DR	2.22	2.43	2.87	3.02	ns
XQZU67DR	2.22	2.43	2.87	3.02	ns		

**Notes:**

1. This table lists representative values where one global clock input drives one vertical clock line in each accessible column, and where all accessible I/O and CLB flip-flops are clocked by the global clock net.
2. MMCM output jitter is already included in the timing calculation.

Table 91: Source Synchronous Output Characteristics (Component Mode)

Description	Speed Grade and V <sub>CCINT</sub> Operating Voltages				Units
	0.85V		0.72V		
	-2	-1	-2	-1	
T <sub>OUTPUT_LOGIC_DELAY_VARIATION</sub> <sup>1</sup>	80				ps

**Notes:**

1. Delay mismatch across a transmit bus when using component mode output logic (ODDRE1, OSERDESE3) within a bank.

## Device Pin-to-Pin Input Parameter Guidelines

The pin-to-pin numbers in the following tables are based on the clock root placement in the center of the device. The actual pin-to-pin values will vary if the root placement selected is different. Consult the Vivado Design Suite timing report for the actual pin-to-pin values.

Table 92: Global Clock Input Setup and Hold With 3.3V HD I/O Without MMCM

Symbol	Description	Device	Speed Grade and V <sub>CCINT</sub> Operating Voltages				Units	
			0.85V		0.72V			
			-2	-1	-2	-1		
<b>Input Setup and Hold Time Relative to Global Clock Input Signal using SSTL15 Standard.<sup>1, 2, 3</sup></b>								
T <sub>PSFD_ZU21</sub>	Global clock input and input flip-flop (or latch) <i>without</i> MMCM	Setup	XCZU21	0.81	0.83	1.68	1.83	ns
T <sub>PHFD_ZU21</sub>		Hold		0.64	0.69	0.22	0.22	ns
T <sub>PSFD_ZU25</sub>		Setup	XCZU25	0.57	0.57	1.39	1.52	ns
T <sub>PHFD_ZU25</sub>		Hold		0.79	0.88	0.39	0.39	ns
T <sub>PSFD_ZU27</sub>		Setup	XCZU27	0.81	0.83	1.68	1.83	ns
T <sub>PHFD_ZU27</sub>		Hold		0.64	0.69	0.22	0.22	ns
T <sub>PSFD_ZU28</sub>		Setup	XCZU28	0.81	0.83	1.68	1.83	ns
T <sub>PHFD_ZU28</sub>		Hold		0.64	0.69	0.22	0.22	ns
T <sub>PSFD_ZU29</sub>		Setup	XCZU29	0.81	0.83	1.68	1.83	ns
T <sub>PHFD_ZU29</sub>		Hold		0.64	0.69	0.22	0.22	ns
T <sub>PSFD_ZU39</sub>		Setup	XCZU39	0.81	N/A	1.68	N/A	ns
T <sub>PHFD_ZU39</sub>		Hold		0.64	N/A	0.22	N/A	ns
T <sub>PSFD_XQZU21</sub>		Setup	XQZU21	0.81	0.83	N/A	1.83	ns
T <sub>PHFD_XQZU21</sub>		Hold		0.64	0.69	N/A	0.22	ns
T <sub>PSFD_XQZU28</sub>		Setup	XQZU28	0.81	0.83	N/A	1.83	ns
T <sub>PHFD_XQZU28</sub>		Hold		0.64	0.69	N/A	0.22	ns
T <sub>PSFD_XQZU29</sub>		Setup	XQZU29	0.81	0.83	N/A	1.83	ns
T <sub>PHFD_XQZU29</sub>		Hold		0.64	0.69	N/A	0.22	ns
T <sub>PSFD_ZU42</sub>		Setup	XCZU42	1.93	2.08	1.93	2.08	ns
T <sub>PHFD_ZU42</sub>		Hold		0.49	0.49	0.04	0.04	ns
T <sub>PSFD_ZU43</sub>		Setup	XCZU43	0.81	0.83	1.69	1.83	ns
T <sub>PHFD_ZU43</sub>		Hold		0.64	0.69	0.22	0.22	ns
T <sub>PSFD_ZU46</sub>		Setup	XCZU46	0.81	0.83	1.69	1.83	ns
T <sub>PHFD_ZU46</sub>		Hold		0.64	0.69	0.22	0.22	ns
T <sub>PSFD_ZU47</sub>		Setup	XCZU47	0.81	0.83	1.69	1.83	ns
T <sub>PHFD_ZU47</sub>		Hold		0.64	0.69	0.22	0.22	ns
T <sub>PSFD_ZU48</sub>		Setup	XCZU48	0.81	0.83	1.69	1.83	ns
T <sub>PHFD_ZU48</sub>		Hold		0.64	0.69	0.22	0.22	ns
T <sub>PSFD_ZU49</sub>		Setup	XCZU49	0.81	0.83	1.69	1.83	ns
T <sub>PHFD_ZU49</sub>		Hold		0.64	0.69	0.22	0.22	ns



Table 92: Global Clock Input Setup and Hold With 3.3V HD I/O Without MMCM (cont'd)

Symbol	Description	Device	Speed Grade and V <sub>CCINT</sub> Operating Voltages				Units
			0.85V		0.72V		
			-2	-1	-2	-1	
T <sub>PSFD_XQZU48</sub>	Setup	XQZU48	0.81	0.83	1.69	1.83	ns
T <sub>PHFD_XQZU48</sub>			0.64	0.69	0.22	0.22	ns
T <sub>PSFD_XQZU49</sub>	Setup	XQZU49	0.81	0.83	1.69	1.83	ns
T <sub>PHFD_XQZU49</sub>			0.64	0.69	0.22	0.22	ns
T <sub>PSFD_ZU65</sub>	Setup	XCZU65	1.92	2.08	1.92	2.08	ns
T <sub>PHFD_ZU65</sub>			0.49	0.49	0.04	0.04	ns
T <sub>PSFD_ZU67</sub>	Setup	XCZU67	1.92	2.08	1.92	2.08	ns
T <sub>PHFD_ZU67</sub>			0.49	0.49	0.04	0.04	ns
T <sub>PSFD_XQZU65</sub>	Setup	XQZU65	1.92	2.08	1.92	2.08	ns
T <sub>PHFD_XQZU65</sub>			0.49	0.49	0.04	0.04	ns
T <sub>PSFD_XQZU67</sub>	Setup	XQZU67	1.92	2.08	1.92	2.08	ns
T <sub>PHFD_XQZU67</sub>			0.49	0.49	0.04	0.04	ns

**Notes:**

1. Setup and hold times are measured over worst case conditions (process, voltage, temperature). Setup time is measured relative to the global clock input signal using the slowest process, slowest temperature, and slowest voltage. Hold time is measured relative to the global clock input signal using the fastest process, fastest temperature, and fastest voltage.
2. This table lists representative values where one global clock input drives one vertical clock line in each accessible column, and where all accessible I/O and CLB flip-flops are clocked by the global clock net.
3. Use IBIS to determine any duty-cycle distortion incurred using various standards.

**Table 93: Global Clock Input Setup and Hold With MMCM**

Symbol	Description	Device	Speed Grade and V <sub>CCINT</sub> Operating Voltages				Units	
			0.85V		0.72V			
			-2	-1	-2	-1		
<b>Input Setup and Hold Time Relative to Global Clock Input Signal using SSTL15 Standard. <sup>1, 2, 3</sup></b>								
T <sub>PSMMCMCC_ZU21</sub>	Global clock input and input flip-flop (or latch) with MMCM	Setup	XCZU21	1.95	2.09	1.95	2.09	ns
T <sub>PHMMCMCC_ZU21</sub>		Hold		-0.09	-0.09	-0.18	-0.18	ns
T <sub>PSMMCMCC_ZU25</sub>		Setup	XCZU25	1.95	2.09	1.95	2.09	ns
T <sub>PHMMCMCC_ZU25</sub>		Hold		-0.11	-0.11	-0.20	-0.20	ns
T <sub>PSMMCMCC_ZU27</sub>		Setup	XCZU27	1.95	2.09	1.95	2.09	ns
T <sub>PHMMCMCC_ZU27</sub>		Hold		-0.09	-0.09	-0.18	-0.18	ns
T <sub>PSMMCMCC_ZU28</sub>		Setup	XCZU28	1.95	2.09	1.95	2.09	ns
T <sub>PHMMCMCC_ZU28</sub>		Hold		-0.09	-0.09	-0.18	-0.18	ns
T <sub>PSMMCMCC_ZU29</sub>		Setup	XCZU29	1.95	2.09	1.95	2.09	ns
T <sub>PHMMCMCC_ZU29</sub>		Hold		-0.09	-0.09	-0.18	-0.18	ns
T <sub>PSMMCMCC_ZU39</sub>		Setup	XCZU39	1.95	N/A	1.95	N/A	ns
T <sub>PHMMCMCC_ZU39</sub>		Hold		-0.09	N/A	-0.18	N/A	ns
T <sub>PSMMCMCC_XQZU21</sub>		Setup	XQZU21	1.95	2.09	N/A	2.09	ns
T <sub>PHMMCMCC_XQZU21</sub>		Hold		-0.09	-0.09	N/A	-0.18	ns
T <sub>PSMMCMCC_XQZU28</sub>		Setup	XQZU28	1.95	2.09	N/A	2.09	ns
T <sub>PHMMCMCC_XQZU28</sub>		Hold		-0.09	-0.09	N/A	-0.18	ns
T <sub>PSMMCMCC_XQZU29</sub>		Setup	XQZU29	1.95	2.09	N/A	2.09	ns
T <sub>PHMMCMCC_XQZU29</sub>		Hold		-0.09	-0.09	N/A	-0.18	ns
T <sub>PSMMCMCC_ZU42</sub>		Setup	XCZU42	1.99	2.14	1.99	2.14	ns
T <sub>PHMMCMCC_ZU42</sub>		Hold		-0.08	-0.08	-0.08	-0.08	ns
T <sub>PSMMCMCC_ZU43</sub>		Setup	XCZU43	1.95	2.09	1.95	2.09	ns
T <sub>PHMMCMCC_ZU43</sub>		Hold		-0.09	-0.09	-0.18	-0.18	ns
T <sub>PSMMCMCC_ZU46</sub>		Setup	XCZU46	1.95	2.09	1.95	2.09	ns
T <sub>PHMMCMCC_ZU46</sub>		Hold		-0.09	-0.09	-0.18	-0.18	ns
T <sub>PSMMCMCC_ZU47</sub>		Setup	XCZU47	1.95	2.09	1.95	2.09	ns
T <sub>PHMMCMCC_ZU47</sub>		Hold		-0.09	-0.09	-0.18	-0.18	ns
T <sub>PSMMCMCC_ZU48</sub>		Setup	XCZU48	1.95	2.09	1.95	2.09	ns
T <sub>PHMMCMCC_ZU48</sub>		Hold		-0.09	-0.09	-0.18	-0.18	ns
T <sub>PSMMCMCC_ZU49</sub>		Setup	XCZU49	1.95	2.09	1.95	2.09	ns
T <sub>PHMMCMCC_ZU49</sub>		Hold		-0.09	-0.09	-0.18	-0.18	ns
T <sub>PSMMCMCC_XQZU48</sub>		Setup	XQZU48	1.95	2.09	1.95	2.09	ns
T <sub>PHMMCMCC_XQZU48</sub>		Hold		-0.09	-0.09	-0.18	-0.18	ns
T <sub>PSMMCMCC_XQZU49</sub>		Setup	XQZU49	1.95	2.09	1.95	2.09	ns
T <sub>PHMMCMCC_XQZU49</sub>		Hold		-0.09	-0.09	-0.18	-0.18	ns
T <sub>PSMMCMCC_ZU65</sub>		Setup	XCZU65	1.99	2.14	1.99	2.14	ns
T <sub>PHMMCMCC_ZU65</sub>		Hold		-0.08	-0.08	-0.08	-0.08	ns

Table 93: Global Clock Input Setup and Hold With MMCM (cont'd)

Symbol	Description	Device	Speed Grade and V <sub>CCINT</sub> Operating Voltages				Units
			0.85V		0.72V		
			-2	-1	-2	-1	
T <sub>PSMMCMCC_ZU67</sub>	Setup	XCZU67	1.99	2.14	1.99	2.14	ns
T <sub>PHMMCMCC_ZU67</sub>	Hold		-0.08	-0.08	-0.08	-0.08	ns
T <sub>PSMMCMCC_XQZU65</sub>	Setup	XQZU65	1.99	2.14	1.99	2.14	ns
T <sub>PHMMCMCC_XQZU65</sub>	Hold		-0.08	-0.08	-0.08	-0.08	ns
T <sub>PSMMCMCC_XQZU67</sub>	Setup	XQZU67	1.99	2.14	1.99	2.14	ns
T <sub>PHMMCMCC_XQZU67</sub>	Hold		-0.08	-0.08	-0.08	-0.08	ns

**Notes:**

1. Setup and hold times are measured over worst case conditions (process, voltage, temperature). Setup time is measured relative to the global clock input signal using the slowest process, slowest temperature, and slowest voltage. Hold time is measured relative to the global clock input signal using the fastest process, fastest temperature, and fastest voltage.
2. This table lists representative values where one global clock input drives one vertical clock line in each accessible column, and where all accessible I/O and CLB flip-flops are clocked by the global clock net.
3. Use IBIS to determine any duty-cycle distortion incurred using various standards.

Table 94: Sampling Window

Description	Speed Grade and V <sub>CCINT</sub> Operating Voltages				Units
	0.85V		0.72V		
	-2	-1	-2	-1	
T <sub>SAMP_BUFG</sub> <sup>1</sup>	610	610	610	610	ps
T <sub>SAMP_NATIVE_DPA</sub> <sup>2</sup>	100	125	125	150	ps
T <sub>SAMP_NATIVE_BISC</sub> <sup>3</sup>	60	85	85	110	ps

**Notes:**

1. This parameter indicates the total sampling error of the Zynq UltraScale+ RFSoc DDR input registers, measured across voltage, temperature, and process. The measurement methodology uses the MMCM to capture the edges of operation of the DDR input registers. These measurements include: CLK0 MMCM jitter, MMCM accuracy (phase offset), and MMCM phase shift resolution. These measurements do not include package or clock tree skew.
2. This parameter is the receive sampling error for RX\_BITSLICE when using dynamic phase alignment.
3. This parameter is the receive sampling error for RX\_BITSLICE when using built-in self-calibration (BISC).

Table 95: Input Logic Characteristics for Dynamic Phase Aligned Applications (Component Mode)

Description	Speed Grade and V <sub>CCINT</sub> Operating Voltages				Units
	0.85V		0.72V		
	-2	-1	-2	-1	
T <sub>INPUT_LOGIC_UNCERTAINTY</sub> <sup>1</sup>	40				ps
T <sub>CAL_ERROR</sub> <sup>2</sup>	24				ps

**Notes:**

1. Input\_logic\_uncertainty accounts for the setup/hold and any pattern dependent jitter for the input logic (input register, IDDRE1, or ISERDESE3).
2. Calibration error associated with quantization effects based on the IDELAY resolution. Calibration must be performed for each input pin to ensure optimal performance.

## Package Parameter Guidelines

The parameters in this section provide the necessary values for calculating timing budgets for clock transmitter and receiver data-valid windows.

Table 96: Package Skew

Symbol	Description	Device	Package	Value	Units
PKGSKEW	Package Skew <sup>1, 2</sup>	XCZU21DR	FFVD1156	156	ps
		XCZU25DR	FFVE1156	145	ps
			FSVE1156	145	ps
			FFVG1517	165	ps
			FSVG1517	165	ps
		XCZU27DR	FFVE1156	145	ps
			FSVE1156	145	ps
			FFVG1517	165	ps
			FSVG1517	165	ps
		XCZU28DR	FFVE1156	145	ps
			FSVE1156	145	ps
			FFVG1517	165	ps
			FSVG1517	165	ps
		XCZU29DR	FFVF1760	160	ps
			FSVF1760	160	ps
		XCZU39DR	FFVF1760	160	ps
			FSVF1760	160	ps
		XQZU21DR	FFRD1156	168	ps
		XQZU28DR	FFRE1156	145	ps
			FFRG1517	164	ps
		XQZU29DR	FFRF1760	160	ps
		XCZU42DR	FFVE1156	148	ps
			FSVE1156	148	ps
		XCZU43DR	FFVE1156	145	ps
			FSVE1156	145	ps
			FFVG1517	148	ps
			FSVG1517	148	ps
		XCZU46DR	FFVH1760	131	ps
			FSVH1760	131	ps
		XCZU47DR	FFVE1156	145	ps
			FSVE1156	145	ps
			FFVG1517	148	ps
FSVG1517	148		ps		
XCZU48DR	FFVE1156	145	ps		
	FSVE1156	145	ps		
	FFVG1517	148	ps		
	FSVG1517	148	ps		

Table 96: Package Skew (cont'd)

Symbol	Description	Device	Package	Value	Units
		XCZU49DR	FFVF1760	158	ps
			FSVF1760	158	ps
		XQZU48DR	FFRE1156	143	ps
			FSRG1517	149	ps
		XQZU49DR	FSRF1760	157	ps
		XCZU65DR	FFVE1156	148	ps
			FSVE1156	148	ps
		XCZU67DR	FFVE1156	148	ps
			FSVE1156	148	ps
		XQZU65DR	FFRE1156	150	ps
		XQZU67DR	FFRE1156	148	ps

**Notes:**

1. These values represent the worst-case skew between any two SelectIO resources in the package: shortest delay to longest delay from die pad to ball.
2. Package delay information is available for these device/package combinations. This information can be used to deskew the package.

## GTY Transceiver Specifications

The *UltraScale Architecture and Product Data Sheet: Overview (DS890)* lists the Zynq UltraScale+ RFSocS that include the GTY transceivers.

## GTY Transceiver DC Input and Output Levels

Table 97 summarizes the DC specifications of the GTY transceivers in Zynq UltraScale+ RFSocS. Consult the *UltraScale Architecture GTY Transceivers User Guide (UG578)* for further details.

Table 97: GTY Transceiver DC Specifications

Symbol	DC Parameter	Conditions	Min	Typ	Max	Units
DV <sub>PPIN</sub>	Differential peak-to-peak input voltage (external AC coupled)	>10.3125 Gb/s	150	-	1250	mV
		6.6 Gb/s to 10.3125 Gb/s	150	-	1250	mV
		≤ 6.6 Gb/s	150	-	2000	mV
V <sub>IN</sub>	Single-ended input voltage. Voltage measured at the pin referenced to GND.	DC coupled V <sub>MGTAVTT</sub> = 1.2V	-400	-	V <sub>MGTAVTT</sub>	mV
V <sub>CMIN</sub>	Common mode input voltage	DC coupled V <sub>MGTAVTT</sub> = 1.2V	-	2/3 V <sub>MGTAVTT</sub>	-	mV
DV <sub>PPOUT</sub>	Differential peak-to-peak output voltage <sup>1</sup>	Transmitter output swing is set to 11111	800	-	-	mV
V <sub>CMOUTDC</sub>	Common mode output voltage: DC coupled (equation based)	When remote RX is terminated to GND	$V_{MGTAVTT}/2 - D_{VPPOUT}/4$			mV
		When remote RX termination is floating	$V_{MGTAVTT} - D_{VPPOUT}/2$			mV
		When remote RX is terminated to V <sub>RX_TERM</sub> <sup>2</sup>	$V_{MGTAVTT} - \frac{D_{VPPOUT}}{4} - \left( \frac{V_{MGTAVTT} - V_{RX\_TERM}}{2} \right)$			mV

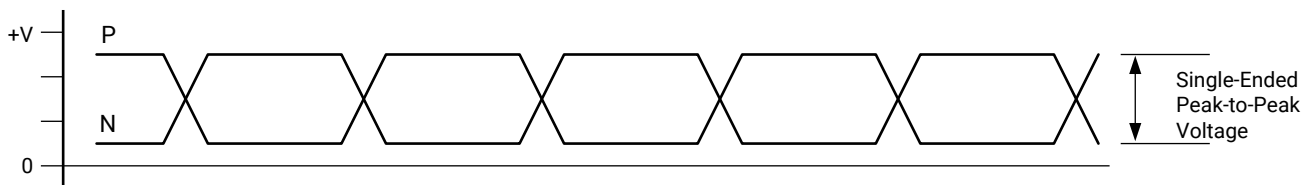
**Table 97: GTY Transceiver DC Specifications (cont'd)**

Symbol	DC Parameter	Conditions	Min	Typ	Max	Units
V <sub>CMOUTAC</sub>	Common mode output voltage: AC coupled	Equation based	$V_{MGTAVTT} - D_{VPPOUT}/2$			mV
R <sub>IN</sub>	Differential input resistance		-	100	-	Ω
R <sub>OUT</sub>	Differential output resistance		-	100	-	Ω
T <sub>OSKEW</sub>	Transmitter output pair (TXP and TXN) intra-pair skew		-	-	10	ps
C <sub>EXT</sub>	Recommended external AC coupling capacitor <sup>3</sup>		-	100	-	nF

**Notes:**

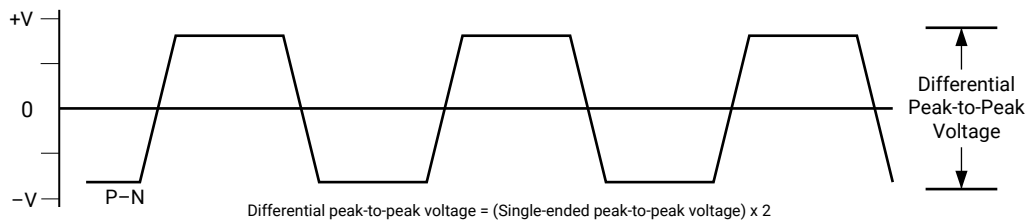
1. The output swing and pre-emphasis levels are programmable using the GTY transceiver attributes discussed in the *UltraScale Architecture GTY Transceivers User Guide (UG578)* and can result in values lower than reported in this table.
2. V<sub>RX\_TERM</sub> is the remote RX termination voltage.
3. Other values can be used as appropriate to conform to specific protocols and standards.

**Figure 3: Single-Ended Peak-to-Peak Voltage**



X16653-072117

**Figure 4: Differential Peak-to-Peak Voltage**



X16639-072117

The following tables summarize the DC specifications of the clock input/output levels of the GTY transceivers in Zynq UltraScale+ RFSocs. Consult the *UltraScale Architecture GTY Transceivers User Guide (UG578)* for further details.

**Table 98: GTY Transceiver Clock DC Input Level Specification**

Symbol	DC Parameter	Min	Typ	Max	Units
V <sub>IDIFF</sub>	Differential peak-to-peak input voltage	250	-	2000	mV
R <sub>IN</sub>	Differential input resistance	-	100	-	Ω
C <sub>EXT</sub>	Required external AC coupling capacitor	-	10	-	nF

Table 99: GTY Transceiver Clock Output Level Specification

Symbol	Description	Conditions	Min	Typ	Max	Units
V <sub>OL</sub>	Output Low voltage for P and N	R <sub>T</sub> = 100Ω across P and N signals	100	-	330	mV
V <sub>OH</sub>	Output High voltage for P and N	R <sub>T</sub> = 100Ω across P and N signals	500	-	700	mV
V <sub>DDOUT</sub>	Differential output voltage (P-N), P = High (N-P), N = High	R <sub>T</sub> = 100Ω across P and N signals	300	-	430	mV
V <sub>CMOUT</sub>	Common mode voltage	R <sub>T</sub> = 100Ω across P and N signals	300	-	500	mV

## GTY Transceiver Switching Characteristics

Consult the *UltraScale Architecture GTY Transceivers User Guide (UG578)* for further information.

Table 100: GTY Transceiver Performance

Symbol	Description	Output Divider	Speed Grade and V <sub>CCINT</sub> Operating Voltages								Units
			0.85V				0.72V				
			-2		-1		-2		-1		
F <sub>GTymax</sub>	GTY maximum line rate		28.21		25.785		28.21		12.5		Gb/s
F <sub>GTymin</sub>	GTY minimum line rate		0.5		0.5		0.5		0.5		Gb/s
			Min	Max	Min	Max	Min	Max	Min	Max	
F <sub>GTyCRANGE</sub>	CPLL line rate range <sup>1</sup>	1	4.0	12.5	4.0	8.5	4.0	12.5	4.0	8.5	Gb/s
		2	2.0	6.25	2.0	4.25	2.0	6.25	2.0	4.25	Gb/s
		4	1.0	3.125	1.0	2.125	1.0	3.125	1.0	2.125	Gb/s
		8	0.5	1.5625	0.5	1.0625	0.5	1.5625	0.5	1.0625	Gb/s
		16	N/A								Gb/s
		32	N/A								Gb/s
			Min	Max	Min	Max	Min	Max	Min	Max	
F <sub>GTyQRANGE1</sub>	QPLL0 line rate range <sup>2</sup>	1	19.6	28.21	19.6	25.785	19.6	28.21	N/A		Gb/s
		1	9.8	16.375	9.8	16.375	9.8	16.375	9.8	12.5	Gb/s
		2	4.9	8.1875	4.9	8.1875	4.9	8.1875	4.9	8.1875	Gb/s
		4	2.45	4.0938	2.45	4.0938	2.45	4.0938	2.45	4.0938	Gb/s
		8	1.225	2.0469	1.225	2.0469	1.225	2.0469	1.225	2.0469	Gb/s
		16	0.6125	1.0234	0.6125	1.0234	0.6125	1.0234	0.6125	1.0234	Gb/s
			Min	Max	Min	Max	Min	Max	Min	Max	
F <sub>GTyQRANGE2</sub>	QPLL1 line rate range <sup>3</sup>	1	16.0	26.0	16.0	25.785	16.0	26.0	N/A		Gb/s
		1	8.0	13.0	8.0	12.5	8.0	13.0	8.0	12.5	Gb/s
		2	4.0	6.5	4.0	6.5	4.0	6.5	4.0	6.5	Gb/s
		4	2.0	3.25	2.0	3.25	2.0	3.25	2.0	3.25	Gb/s
		8	1.0	1.625	1.0	1.625	1.0	1.625	1.0	1.625	Gb/s
		16	0.5	0.8125	0.5	0.8125	0.5	0.8125	0.5	0.8125	Gb/s
			Min	Max	Min	Max	Min	Max	Min	Max	
F <sub>CPLL</sub> RANGE	CPLL frequency range		2.0	6.25	2.0	4.25	2.0	6.25	2.0	4.25	GHz
F <sub>QPLL</sub> RANGE	QPLL0 frequency range		9.8	16.375	9.8	16.375	9.8	16.375	9.8	16.375	GHz

Table 100: GTY Transceiver Performance (cont'd)

Symbol	Description	Output Divider	Speed Grade and V <sub>CCINT</sub> Operating Voltages								Units
			0.85V				0.72V				
			-2		-1		-2		-1		
F <sub>QPLL1RANGE</sub>	QPLL1 frequency range		8.0	13.0	8.0	13.0	8.0	13.0	8.0	13.0	GHz

**Notes:**

1. The values listed are the rounded results of the calculated equation  $(2 \times \text{CPLL\_Frequency}) / \text{Output\_Divider}$ .
2. The values listed are the rounded results of the calculated equation  $(\text{QPLL0\_Frequency} \times \text{RATE}) / \text{Output\_Divider}$  where RATE is 1 when QPLL0\_CLKOUT\_RATE is set to HALF and 2 if QPLL0\_CLKOUT\_RATE is set to FULL.
3. The values listed are the rounded results of the calculated equation  $(\text{QPLL1\_Frequency} \times \text{RATE}) / \text{Output\_Divider}$  where RATE is 1 when QPLL1\_CLKOUT\_RATE is set to HALF and 2 if QPLL1\_CLKOUT\_RATE is set to FULL.

Table 101: GTY Transceiver Dynamic Reconfiguration Port (DRP) Switching Characteristics

Symbol	Description	All Speed Grades	Units
F <sub>GTYDRPCLK</sub>	GTYDRPCLK maximum frequency	250	MHz

Table 102: GTY Transceiver Reference Clock Switching Characteristics

Symbol	Description	Conditions	All Speed Grades			Units
			Min	Typ	Max	
F <sub>GCLK</sub>	Reference clock frequency range		60	-	820	MHz
T <sub>RCLK</sub>	Reference clock rise time	20% - 80%	-	200	-	ps
T <sub>FCLK</sub>	Reference clock fall time	80% - 20%	-	200	-	ps
T <sub>DREF</sub>	Reference clock duty cycle	Transceiver PLL only	40	50	60	%

Table 103: GTY Transceiver Reference Clock Oscillator Selection Phase Noise Mask

Symbol	Description <sup>1, 2</sup>	Offset Frequency	Min	Typ	Max	Units
QPLL <sub>REFCLKMASK</sub>	QPLL0/QPLL1 reference clock select phase noise mask at REFCLK frequency = 156.25 MHz	10 kHz	-	-	-112	dBc/Hz
		100 kHz	-	-	-128	
		1 MHz	-	-	-145	
	QPLL0/QPLL1 reference clock select phase noise mask at REFCLK frequency = 312.5 MHz	10 kHz	-	-	-103	dBc/Hz
		100 kHz	-	-	-123	
		1 MHz	-	-	-143	
	QPLL0/QPLL1 reference clock select phase noise mask at REFCLK frequency = 625 MHz	10 kHz	-	-	-98	dBc/Hz
		100 kHz	-	-	-117	
		1 MHz	-	-	-140	



**Table 103: GTY Transceiver Reference Clock Oscillator Selection Phase Noise Mask (cont'd)**

Symbol	Description <sup>1, 2</sup>	Offset Frequency	Min	Typ	Max	Units
CPLL_REFCLKMASK	CPLL reference clock select phase noise mask at REFCLK frequency = 156.25 MHz	10 kHz	-	-	-112	dBc/Hz
		100 kHz	-	-	-128	
		1 MHz	-	-	-145	
		50 MHz	-	-	-145	
	CPLL reference clock select phase noise mask at REFCLK frequency = 312.5 MHz	10 kHz	-	-	-103	dBc/Hz
		100 kHz	-	-	-123	
		1 MHz	-	-	-143	
		50 MHz	-	-	-145	
	CPLL reference clock select phase noise mask at REFCLK frequency = 625 MHz	10 kHz	-	-	-98	dBc/Hz
		100 kHz	-	-	-117	
		1 MHz	-	-	-140	
		50 MHz	-	-	-144	

**Notes:**

1. For reference clock frequencies not in this table, use the phase-noise mask for the nearest reference clock frequency.
2. This reference clock phase-noise mask is superseded by any reference clock phase-noise mask that is specified in a supported protocol, e.g., PCIe.

**Table 104: GTY Transceiver PLL/Lock Time Adaptation**

Symbol	Description	Conditions	All Speed Grades			Units
			Min	Typ	Max	
T <sub>LOCK</sub>	Initial PLL lock.		-	-	1	ms
T <sub>DLOCK</sub>	Clock recovery phase acquisition and adaptation time for decision feedback equalizer (DFE)	After the PLL is locked to the reference clock, this is the time it takes to lock the clock data recovery (CDR) to the data present at the input.	-	50,000	37 x 10 <sup>6</sup>	UI
	Clock recovery phase acquisition and adaptation time for low-power mode (LPM) when the DFE is disabled		-	50,000	2.3 x 10 <sup>6</sup>	UI

**Table 105: GTY Transceiver User Clock Switching Characteristics**

Symbol	Description <sup>1</sup>	Data Width Conditions (Bit)		Speed Grade and V <sub>CCINT</sub> Operating Voltages				Units
				0.85V		0.72V		
		Internal Logic	Interconnect Logic	-2 <sup>3</sup>	-1 <sup>5, 6, 7</sup>	-2 <sup>3, 4</sup>	-1 <sup>6</sup>	
F <sub>TXOUTPMA</sub>	TXOUTCLK maximum frequency sourced from OUTCLKPMA			511.719	402.891	402.832	322.266	MHz
F <sub>RXOUTPMA</sub>	RXOUTCLK maximum frequency sourced from OUTCLKPMA			511.719	402.891	402.832	322.266	MHz
F <sub>TXOUTPROGDIV</sub>	TXOUTCLK maximum frequency sourced from TXPROGDIVCLK			511.719	511.719	511.719	511.719	MHz
F <sub>RXOUTPROGDIV</sub>	RXOUTCLK maximum frequency sourced from RXPROGDIVCLK			511.719	511.719	511.719	511.719	MHz

Table 105: GTY Transceiver User Clock Switching Characteristics (cont'd)

Symbol	Description <sup>1</sup>	Data Width Conditions (Bit)		Speed Grade and V <sub>CCINT</sub> Operating Voltages				Units
				0.85V		0.72V		
		Internal Logic	Interconnect Logic	-2 <sup>3</sup>	-1 <sup>5, 6, 7</sup>	-2 <sup>3, 4</sup>	-1 <sup>6</sup>	
F <sub>TXIN</sub>	TXUSRCLK <sup>8</sup> maximum frequency	16	16, 32	511.719	390.625	390.625	322.266	MHz
		32	32, 64	511.719	390.625	390.625	322.266	MHz
		64	64, 128	440.781	402.891	402.832	195.313	MHz
		20	20, 40	409.375	312.500	312.500	257.813	MHz
		40	40, 80	409.375	312.500	350.000	257.813	MHz
		80	80, 160	352.625	322.313	352.625	156.250	MHz
F <sub>RXIN</sub>	RXUSRCLK <sup>8</sup> maximum frequency	16	16, 32	511.719	390.625	390.625	322.266	MHz
		32	32, 64	511.719	390.625	390.625	322.266	MHz
		64	64, 128	440.781	402.891	402.832	195.313	MHz
		20	20, 40	409.375	312.500	312.500	257.813	MHz
		40	40, 80	409.375	312.500	350.000	257.813	MHz
		80	80, 160	352.625	322.313	352.625	156.250	MHz
F <sub>TXIN2</sub>	TXUSRCLK2 <sup>8</sup> maximum frequency	16	16	511.719	390.625	390.625	322.266	MHz
		16	32	255.859	195.313	195.313	161.133	MHz
		32	32	511.719	390.625	390.625	322.266	MHz
		32	64	255.859	195.313	195.313	161.133	MHz
		64	64	440.781	402.891	402.832	195.313	MHz
		64	128	220.391	201.445	201.416	97.656	MHz
		20	20	409.375	312.500	312.500	257.813	MHz
		20	40	204.688	156.250	156.250	128.906	MHz
		40	40	409.375	312.500	350.000	257.813	MHz
		40	80	204.688	156.250	175.000	128.906	MHz
		80	80	352.625	322.313	352.625	156.250	MHz
		80	160	176.313	161.156	176.313	78.125	MHz

Table 105: GTY Transceiver User Clock Switching Characteristics (cont'd)

Symbol	Description <sup>1</sup>	Data Width Conditions (Bit)		Speed Grade and V <sub>CCINT</sub> Operating Voltages				Units
				0.85V		0.72V		
		Internal Logic	Interconnect Logic	-2 <sup>2,3</sup>	-1 <sup>5,6,7</sup>	-2 <sup>3,4</sup>	-1 <sup>6</sup>	
F <sub>RXIN2</sub>	RXUSRCLK2 <sup>8</sup> maximum frequency	16	16	511.719	390.625	390.625	322.266	MHz
		16	32	255.859	195.313	195.313	161.133	MHz
		32	32	511.719	390.625	390.625	322.266	MHz
		32	64	255.859	195.313	195.313	161.133	MHz
		64	64	440.781	402.891	402.832	195.313	MHz
		64	128	220.391	201.445	201.416	97.656	MHz
		20	20	409.375	312.500	312.500	257.813	MHz
		20	40	204.688	156.250	156.250	128.906	MHz
		40	40	409.375	312.500	350.000	257.813	MHz
		40	80	204.688	156.250	175.000	128.906	MHz
		80	80	352.625	322.313	352.625	156.250	MHz
		80	160	176.313	161.156	176.313	78.125	MHz

Notes:

1. Clocking must be implemented as described in the *UltraScale Architecture GTY Transceivers User Guide (UG578)*.
2. For speed grades -2E and -2I, a 16-bit and 20-bit internal data path can only be used for line rates less than 8.1875 Gb/s.
3. For speed grade -2LE, a 16-bit and 20-bit internal data path can only be used for line rates less than 8.1875 Gb/s when V<sub>CCINT</sub> = 0.85V or 6.25 Gb/s when V<sub>CCINT</sub> = 0.72V.
4. For speed grade -2LI, a 16-bit and 20-bit internal data path can only be used for line rates less than 6.25 Gb/s when V<sub>CCINT</sub> = 0.72V.
5. For speed grades -1E,-1I, and -1M, a 16-bit and 20-bit internal data path can only be used for line rates less than 6.25 Gb/s.
6. For speed grade -1LI, a 16-bit and 20-bit internal data path can only be used for line rates less than 6.25 Gb/s when V<sub>CCINT</sub> = 0.85V or 5.15625 Gb/s when V<sub>CCINT</sub> = 0.72V.
7. For the speed grades -1E,-1I, and -1M, only a 64- or 80-bit internal data path can be used for line rates above 12.5 Gb/s.
8. When the gearbox is used, these maximums refer to the XCLK. For more information, see the Valid Data Width Combinations for TX Asynchronous Gearbox table in the *UltraScale Architecture GTY Transceivers User Guide (UG578)*.

Table 106: GTY Transceiver Transmitter Switching Characteristics

Symbol	Description	Condition	Min	Typ	Max	Units
F <sub>GTYTX</sub>	Serial data rate range		0.500	-	F <sub>GTYMAX</sub>	Gb/s
T <sub>RTX</sub>	TX rise time	20%-80%	-	21	-	ps
T <sub>FTX</sub>	TX fall time	80%-20%	-	21	-	ps
T <sub>LLSKEW</sub>	TX lane-to-lane skew <sup>1</sup>		-	-	500.00	ps
T <sub>J28.21</sub>	Total jitter <sup>2,4</sup>	28.21 Gb/s	-	-	0.28	UI
D <sub>J28.21</sub>	Deterministic jitter <sup>2,4</sup>		-	-	0.17	UI
T <sub>J16.375</sub>	Total jitter <sup>2,4</sup>	16.375 Gb/s	-	-	0.28	UI
D <sub>J16.375</sub>	Deterministic jitter <sup>2,4</sup>		-	-	0.17	UI
T <sub>J15.0</sub>	Total jitter <sup>2,4</sup>	15.0 Gb/s	-	-	0.28	UI
D <sub>J15.0</sub>	Deterministic jitter <sup>2,4</sup>		-	-	0.17	UI

Table 106: GTY Transceiver Transmitter Switching Characteristics (cont'd)

Symbol	Description	Condition	Min	Typ	Max	Units
T <sub>J14.1</sub>	Total jitter <sup>2, 4</sup>	14.1 Gb/s	-	-	0.28	UI
D <sub>J14.1</sub>	Deterministic jitter <sup>2, 4</sup>		-	-	0.17	UI
T <sub>J14.1</sub>	Total jitter <sup>2, 4</sup>	14.025 Gb/s	-	-	0.28	UI
D <sub>J14.1</sub>	Deterministic jitter <sup>2, 4</sup>		-	-	0.17	UI
T <sub>J13.1</sub>	Total jitter <sup>2, 4</sup>	13.1 Gb/s	-	-	0.28	UI
D <sub>J13.1</sub>	Deterministic jitter <sup>2, 4</sup>		-	-	0.17	UI
T <sub>J12.5_QPLL</sub>	Total jitter <sup>2, 4</sup>	12.5 Gb/s	-	-	0.28	UI
D <sub>J12.5_QPLL</sub>	Deterministic jitter <sup>2, 4</sup>		-	-	0.17	UI
T <sub>J12.5_CPLL</sub>	Total jitter <sup>3, 4</sup>	12.5 Gb/s	-	-	0.33	UI
D <sub>J12.5_CPLL</sub>	Deterministic jitter <sup>3, 4</sup>		-	-	0.17	UI
T <sub>J11.3_QPLL</sub>	Total jitter <sup>2, 4</sup>	11.3 Gb/s	-	-	0.28	UI
D <sub>J11.3_QPLL</sub>	Deterministic jitter <sup>2, 4</sup>		-	-	0.17	UI
T <sub>J10.3125_QPLL</sub>	Total jitter <sup>2, 4</sup>	10.3125 Gb/s	-	-	0.28	UI
D <sub>J10.3125_QPLL</sub>	Deterministic jitter <sup>2, 4</sup>		-	-	0.17	UI
T <sub>J10.3125_CPLL</sub>	Total jitter <sup>3, 4</sup>	10.3125 Gb/s	-	-	0.33	UI
D <sub>J10.3125_CPLL</sub>	Deterministic jitter <sup>3, 4</sup>		-	-	0.17	UI
T <sub>J9.953_QPLL</sub>	Total jitter <sup>2, 4</sup>	9.953 Gb/s	-	-	0.28	UI
D <sub>J9.953_QPLL</sub>	Deterministic jitter <sup>2, 4</sup>		-	-	0.17	UI
T <sub>J9.953_CPLL</sub>	Total jitter <sup>3, 4</sup>	9.953 Gb/s	-	-	0.33	UI
D <sub>J9.953_CPLL</sub>	Deterministic jitter <sup>3, 4</sup>		-	-	0.17	UI
T <sub>J8.0</sub>	Total jitter <sup>3, 4</sup>	8.0 Gb/s	-	-	0.32	UI
D <sub>J8.0</sub>	Deterministic jitter <sup>3, 4</sup>		-	-	0.17	UI
T <sub>J6.6</sub>	Total jitter <sup>3, 4</sup>	6.6 Gb/s	-	-	0.30	UI
D <sub>J6.6</sub>	Deterministic jitter <sup>3, 4</sup>		-	-	0.15	UI
T <sub>J5.0</sub>	Total jitter <sup>3, 4</sup>	5.0 Gb/s	-	-	0.30	UI
D <sub>J5.0</sub>	Deterministic jitter <sup>3, 4</sup>		-	-	0.15	UI
T <sub>J4.25</sub>	Total jitter <sup>3, 4</sup>	4.25 Gb/s	-	-	0.30	UI
D <sub>J4.25</sub>	Deterministic jitter <sup>3, 4</sup>		-	-	0.15	UI
T <sub>J3.20</sub>	Total jitter <sup>3, 4</sup>	3.20 Gb/s <sup>5</sup>	-	-	0.20	UI
D <sub>J3.20</sub>	Deterministic jitter <sup>3, 4</sup>		-	-	0.10	UI
T <sub>J2.5</sub>	Total jitter <sup>3, 4</sup>	2.5 Gb/s <sup>6</sup>	-	-	0.20	UI
D <sub>J2.5</sub>	Deterministic jitter <sup>3, 4</sup>		-	-	0.10	UI
T <sub>J1.25</sub>	Total jitter <sup>3, 4</sup>	1.25 Gb/s <sup>7</sup>	-	-	0.15	UI
D <sub>J1.25</sub>	Deterministic jitter <sup>3, 4</sup>		-	-	0.06	UI

Table 106: GTY Transceiver Transmitter Switching Characteristics (cont'd)

Symbol	Description	Condition	Min	Typ	Max	Units
T <sub>J500</sub>	Total jitter <sup>3, 4</sup>	500 Mb/s <sup>8</sup>	-	-	0.10	UI
D <sub>J500</sub>	Deterministic jitter <sup>3, 4</sup>		-	-	0.03	UI

**Notes:**

- Using same REFCLK input with TX phase alignment enabled for up to four consecutive transmitters (one fully populated GTY Quad) at maximum line rate.
- Using QPLL\_FBDIV = 40, 20-bit internal data width. These values are NOT intended for protocol specific compliance determinations.
- Using CPLL\_FBDIV = 2, 20-bit internal data width. These values are NOT intended for protocol specific compliance determinations.
- All jitter values are based on a bit-error ratio of 10<sup>-12</sup>.
- CPLL frequency at 3.2 GHz and TXOUT\_DIV = 2.
- CPLL frequency at 2.5 GHz and TXOUT\_DIV = 2.
- CPLL frequency at 2.5 GHz and TXOUT\_DIV = 4.
- CPLL frequency at 2.0 GHz and TXOUT\_DIV = 8.

Table 107: GTY Transceiver Receiver Switching Characteristics

Symbol	Description	Condition	Min	Typ	Max	Units
F <sub>GTYRX</sub>	Serial data rate		0.500	-	F <sub>GTYMAX</sub>	Gb/s
R <sub>XSSST</sub>	Receiver spread-spectrum tracking <sup>1</sup>	Modulated at 33 kHz	-5000	-	0	ppm
R <sub>XRL</sub>	Run length (CID)		-	-	256	UI
R <sub>XPPMTOL</sub>	Data/REFCLK PPM offset tolerance	Bit rates ≤ 6.6 Gb/s	-1250	-	1250	ppm
		Bit rates > 6.6 Gb/s and ≤ 8.0 Gb/s	-700	-	700	ppm
		Bit rates > 8.0 Gb/s	-200	-	200	ppm
<b>SJ Jitter Tolerance<sup>2</sup></b>						
J <sub>T_SJ28.21</sub>	Sinusoidal jitter (QPLL) <sup>3</sup>	28.21 Gb/s	0.30	-	-	UI
J <sub>T_SJ16.375</sub>	Sinusoidal jitter (QPLL) <sup>3</sup>	16.375 Gb/s	0.30	-	-	UI
J <sub>T_SJ15.0</sub>	Sinusoidal jitter (QPLL) <sup>3</sup>	15.0 Gb/s	0.30	-	-	UI
J <sub>T_SJ14.1</sub>	Sinusoidal jitter (QPLL) <sup>3</sup>	14.1 Gb/s	0.30	-	-	UI
J <sub>T_SJ13.1</sub>	Sinusoidal jitter (QPLL) <sup>3</sup>	13.1 Gb/s	0.30	-	-	UI
J <sub>T_SJ12.5</sub>	Sinusoidal jitter (QPLL) <sup>3</sup>	12.5 Gb/s	0.30	-	-	UI
J <sub>T_SJ11.3</sub>	Sinusoidal jitter (QPLL) <sup>3</sup>	11.3 Gb/s	0.30	-	-	UI
J <sub>T_SJ10.32_QPLL</sub>	Sinusoidal jitter (QPLL) <sup>3</sup>	10.32 Gb/s	0.30	-	-	UI
J <sub>T_SJ10.32_CPLL</sub>	Sinusoidal jitter (CPLL) <sup>3</sup>	10.32 Gb/s	0.30	-	-	UI
J <sub>T_SJ9.953_QPLL</sub>	Sinusoidal jitter (QPLL) <sup>3</sup>	9.953 Gb/s	0.30	-	-	UI
J <sub>T_SJ9.953_CPLL</sub>	Sinusoidal jitter (CPLL) <sup>3</sup>	9.953 Gb/s	0.30	-	-	UI
J <sub>T_SJ8.0</sub>	Sinusoidal jitter (CPLL) <sup>3</sup>	8.0 Gb/s	0.42	-	-	UI
J <sub>T_SJ6.6</sub>	Sinusoidal jitter (CPLL) <sup>3</sup>	6.6 Gb/s	0.44	-	-	UI
J <sub>T_SJ5.0</sub>	Sinusoidal jitter (CPLL) <sup>3</sup>	5.0 Gb/s	0.44	-	-	UI
J <sub>T_SJ4.25</sub>	Sinusoidal jitter (CPLL) <sup>3</sup>	4.25 Gb/s	0.44	-	-	UI
J <sub>T_SJ3.2</sub>	Sinusoidal jitter (CPLL) <sup>3</sup>	3.2 Gb/s <sup>4</sup>	0.45	-	-	UI
J <sub>T_SJ2.5</sub>	Sinusoidal jitter (CPLL) <sup>3</sup>	2.5 Gb/s <sup>5</sup>	0.30	-	-	UI
J <sub>T_SJ1.25</sub>	Sinusoidal jitter (CPLL) <sup>3</sup>	1.25 Gb/s <sup>6</sup>	0.30	-	-	UI
J <sub>T_SJ500</sub>	Sinusoidal jitter (CPLL) <sup>3</sup>	500 Mb/s <sup>7</sup>	0.30	-	-	UI

Table 107: GTY Transceiver Receiver Switching Characteristics (cont'd)

Symbol	Description	Condition	Min	Typ	Max	Units
<b>SJ Jitter Tolerance with Stressed Eye<sup>2</sup></b>						
J <sub>T_TJSE3.2</sub>	Total jitter with stressed eye <sup>8</sup>	3.2 Gb/s	0.70	-	-	UI
J <sub>T_TJSE6.6</sub>		6.6 Gb/s	0.70	-	-	UI
J <sub>T_SJSE3.2</sub>	Sinusoidal jitter with stressed eye <sup>8</sup>	3.2 Gb/s	0.10	-	-	UI
J <sub>T_SJSE6.6</sub>		6.6 Gb/s	0.10	-	-	UI

**Notes:**

- Using RXOUT\_DIV = 1, 2, and 4.
- All jitter values are based on a bit error ratio of 10<sup>-12</sup>.
- The frequency of the injected sinusoidal jitter is 80 MHz.
- CPLL frequency at 3.2 GHz and RXOUT\_DIV = 2.
- CPLL frequency at 2.5 GHz and RXOUT\_DIV = 2.
- CPLL frequency at 2.5 GHz and RXOUT\_DIV = 4.
- CPLL frequency at 2.0 GHz and RXOUT\_DIV = 8.
- Composite jitter with RX equalizer enabled. DFE disabled.

## GTY Transceiver Electrical Compliance

The *UltraScale Architecture GTY Transceivers User Guide (UG578)* contains recommended use modes that ensure compliance for the protocols listed in the following table. The transceiver wizard provides the recommended settings for those use cases and for protocol specific characteristics.

Table 108: GTY Transceiver Protocol List

Protocol	Specification	Serial Rate (Gb/s)	Electrical Compliance
CAUI-4	IEEE 802.3-2012	25.78125	Compliant
28 Gb/s backplane	CEI-25G-LR	25-28.05	Compliant
Interlaken	OIF-CEI-6G, OIF-CEI-11GSR, OIF-CEI-28G-MR	4.25-25.78125	Compliant
100GBASE-KR4	IEEE 802.3bj-2014, CEI-25G-LR	25.78125	Compliant <sup>1</sup>
100GBASE-CR4	IEEE 802.3bj-2014, CEI-25G-LR	25.78125	Compliant <sup>1</sup>
50GBASE-KR4	IEEE 802.3by-2014, CEI-25G-LR	25.78125	Compliant <sup>1</sup>
50GBASE-CR4	IEEE 802.3by-2014, CEI-25G-LR	25.78125	Compliant <sup>1</sup>
25GBASE-KR4	IEEE 802.3by-2014, CEI-25G-LR	25.78125	Compliant <sup>1</sup>
25GBASE-CR4	IEEE 802.3by-2014, CEI-25G-LR	25.78125	Compliant <sup>1</sup>
OTU4 (OTL4.4) CFP2	OIF-CEI-28G-VSR	27.952493-28.21	Compliant
OTU4 (OTL4.4) CFP	OIF-CEI-11G-MR	11.18-13.1	Compliant
CAUI-10	IEEE 802.3-2012	10.3125	Compliant
nPPI	IEEE 802.3-2012	10.3125	Compliant
10GBASE-KR <sup>2</sup>	IEEE 802.3-2012	10.3125	Compliant
SFP+	SFF-8431 (SR and LR)	9.95328-11.10	Compliant
XFP	INF-8077i, revision 4.5	10.3125	Compliant
RXAUI	CEI-6G-SR	6.25	Compliant
XAUI	IEEE 802.3-2012	3.125	Compliant
1000BASE-X	IEEE 802.3-2012	1.25	Compliant

Table 108: GTY Transceiver Protocol List (cont'd)

Protocol	Specification	Serial Rate (Gb/s)	Electrical Compliance
5.0G Ethernet	IEEE 802.3bx (PAR)	5	Compliant
2.5G Ethernet	IEEE 802.3bx (PAR)	2.5	Compliant
HiGig, HiGig+, HiGig2	IEEE 802.3-2012	3.74, 6.6	Compliant
QSGMII	QSGMII v1.2 (Cisco System, ENG-46158)	5	Compliant
OTU2	ITU G.8251	10.709225	Compliant
OTU4 (OTL4.10)	OIF-CEI-11G-SR	11.180997	Compliant
OC-3/12/48/192	GR-253-CORE	0.1555–9.956	Compliant
PCIe Gen1, 2, 3, 4	PCI Express base 4.0	2.5, 5.0, 8.0 and 16.0	Compliant
SDI <sup>3</sup>	SMPTE 424M-2006	0.27–2.97	Compliant
UHD-SDI <sup>3</sup>	SMPTE ST-2081 6G, SMPTE ST-2082 12G	6 and 12	Compliant
Hybrid memory cube (HMC)	HMC-15G-SR	10, 12.5, and 15.0	Compliant
MoSys bandwidth engine	CEI-11-SR and CEI-11-SR (overclocked)	10.3125, 15.5	Compliant
CPRI	CPRI_v_6_1_2014-07-01	0.6144–12.165	Compliant
Passive optical network (PON)	10G-EPON, 1G-EPON, NG-PON2, XG-PON, and 2.5G-PON	0.155–10.3125	Compliant
JESD204a/b	OIF-CEI-6G, OIF-CEI-11G	3.125–12.5	Compliant
Serial RapidIO	RapidIO specification 3.1	1.25–10.3125	Compliant
DisplayPort	DP 1.2B CTS	1.62–5.4	Compliant <sup>3</sup>
Fibre channel	FC-PI-4	1.0625–14.025	Compliant
SATA Gen1, 2, 3	Serial ATA revision 3.0 specification	1.5, 3.0, and 6.0	Compliant
SAS Gen1, 2, 3	T10/BSR INCITS 519	3.0, 6.0, and 12.0	Compliant
SFI-5	OIF-SFI5-01.0	0.625 - 12.5	Compliant
Aurora	CEI-6G, CEI-11G-LR	All rates	Compliant

**Notes:**

1. 25 dB loss at Nyquist without FEC.
2. The transition time of the transmitter is faster than the IEEE Std 802.3-2012 specification.
3. This protocol requires external circuitry to achieve compliance.

## Integrated Interface Block for Interlaken

More information and documentation on solutions using the integrated interface block for Interlaken can be found at [UltraScale+ Interlaken](#). The *UltraScale Architecture and Product Data Sheet: Overview (DS890)* lists how many blocks are in each Zynq UltraScale+ RFSoc. This section describes the following Interlaken configurations.

- 12 x 12.5 Gb/s protocol and lane logic mode ([Table 109](#)).
- 6 x 25.78125 Gb/s and 6 x 28.21 Gb/s protocol and lane logic mode ([Table 110](#)).
- 12 x 25.78125 Gb/s lane logic only mode ([Table 111](#)).

**Table 109: Maximum Performance for Interlaken 12 x 12.5 Gb/s Protocol and Lane Logic Mode Designs**

Symbol	Description	Speed Grade and V <sub>CCINT</sub> Operating Voltages								Units
		0.85V				0.72V				
		-2		-1		-2		-1		
F <sub>RX_SERDES_CLK</sub>	Receive serializer/ deserializer clock	195.32		195.32		195.32		195.32		MHz
F <sub>TX_SERDES_CLK</sub>	Transmit serializer/ deserializer clock	195.32		195.32		195.32		195.32		MHz
F <sub>DRP_CLK</sub>	Dynamic reconfiguration port clock	250.00		250.00		250.00		250.00		MHz
		Min <sup>1</sup>	Max	Min <sup>1</sup>	Max	Min <sup>1</sup>	Max	Min <sup>1</sup>	Max	
F <sub>CORE_CLK</sub>	Interlaken core clock	300.00	322.27	300.00	322.27	300.00	322.27	300.00	322.27	MHz
F <sub>LBUS_CLK</sub>	Interlaken local bus clock	300.00	322.27	300.00	322.27	300.00	322.27	300.00	322.27	MHz

**Notes:**

1. These are the minimum clock frequencies at the maximum lane performance.

**Table 110: Maximum Performance for Interlaken 6 x 25.78125 Gb/s and 6 x 28.21 Gb/s Protocol and Lane Logic Mode Designs**

Symbol	Description	Speed Grade and V <sub>CCINT</sub> Operating Voltages								Units
		0.85V				0.72V				
		-2E/-2I/-2LE <sup>1</sup>		-1E/-1I/-1M/-1LI		-2LE		-2LI/-1LI		
F <sub>RX_SERDES_CLK</sub>	Receive serializer/ deserializer clock	440.79		N/A		402.84		N/A		MHz
F <sub>TX_SERDES_CLK</sub>	Transmit serializer/ deserializer clock	440.79		N/A		402.84		N/A		MHz
F <sub>DRP_CLK</sub>	Dynamic reconfiguration port clock	250.00		N/A		250.00		N/A		MHz
		Min <sup>2</sup>	Max	Min	Max	Min <sup>2</sup>	Max	Min	Max	
F <sub>CORE_CLK</sub>	Interlaken core clock	412.50 <sup>3</sup>	479.20	N/A		412.50	429.69	N/A		MHz
F <sub>LBUS_CLK</sub>	Interlaken local bus clock	300.00 <sup>4</sup>	349.52	N/A		300.00	349.52	N/A		MHz

**Notes:**

1. 6 x 28.21 mode is only supported in the -2 (V<sub>CCINT</sub> = 0.85V) speed grade.
2. These are the minimum clock frequencies at the maximum lane performance.
3. The minimum value for CORE\_CLK is 451.36 MHz for the 6 x 28.21 Gb/s protocol.
4. The minimum value for LBUS\_CLK is 330.00 MHz for the 6 x 28.21 Gb/s protocol.

**Table 111: Maximum Performance for Interlaken 12 x 25.78125 Gb/s Lane Logic Only Mode Designs**

Symbol	Description	Speed Grade and V <sub>CCINT</sub> Operating Voltages				Units
		0.85V		0.72V		
		-2	-1	-2	-1	
F <sub>RX_SERDES_CLK</sub>	Receive serializer/ deserializer clock	402.84	N/A	N/A	N/A	MHz
F <sub>TX_SERDES_CLK</sub>	Transmit serializer/ deserializer clock	402.84	N/A	N/A	N/A	MHz
F <sub>DRP_CLK</sub>	Dynamic reconfiguration port clock	250.00	N/A	N/A	N/A	MHz
F <sub>CORE_CLK</sub>	Interlaken core clock	412.50	N/A	N/A	N/A	MHz
F <sub>LBUS_CLK</sub>	Interlaken local bus clock	349.52	N/A	N/A	N/A	MHz



## Integrated Interface Block for 100G Ethernet MAC and PCS

More information and documentation on solutions using the integrated 100 Gb/s Ethernet block can be found at [UltraScale+ Integrated 100G Ethernet MAC/PCS](#). The *UltraScale Architecture and Product Data Sheet: Overview (DS890)* lists how many blocks are in each Zynq UltraScale+ RFSoc.

Table 112: Maximum Performance for 100G Ethernet Designs

Symbol	Description	Speed Grade and V <sub>CCINT</sub> Operating Voltages				Units
		0.85V		0.72V		
		-2	-1	-2	-1	
<b>CAUI-10 Mode</b>						
F <sub>TX_CLK</sub>	Transmit clock	390.625	322.266	322.266	322.266	MHz
F <sub>RX_CLK</sub>	Receive clock	390.625	322.266	322.266	322.266	MHz
F <sub>RX_SERDES_CLK</sub>	Receive serializer/deserializer clock	390.625	322.266	322.266	322.266	MHz
F <sub>DRP_CLK</sub>	Dynamic reconfiguration port clock	250.00	250.00	250.00	250.00	MHz
<b>CAUI-4, CAUI-4 + RS-FEC, and RS-FEC Transcode Bypass Modes</b>						
F <sub>TX_CLK</sub>	Transmit clock	322.266	322.266	322.266	N/A	MHz
F <sub>RX_CLK</sub>	Receive clock	322.266	322.266	322.266	N/A	MHz
F <sub>RX_SERDES_CLK</sub>	Receive serializer/deserializer clock	322.266	322.266	322.266	N/A	MHz
F <sub>DRP_CLK</sub>	Dynamic reconfiguration port clock	250.00	250.00	250.00	N/A	MHz

## Integrated Interface Block for PCI Express Designs

More information and documentation on solutions for PCI Express® designs can be found at [PCI Express](#). The *UltraScale Architecture and Product Data Sheet: Overview (DS890)* lists how many blocks are in each Zynq UltraScale+ RFSoc.

Table 113: Maximum Performance for PCIe4-based PCI Express Designs for ZU2xDR and ZU39DR Devices

Symbol	Description	Speed Grade and V <sub>CCINT</sub> Operating Voltages				Units
		0.85V		0.72V		
		-2	-1	-2	-1	
F <sub>PIPECLK</sub>	Pipe clock maximum frequency	250.00	250.00	250.00	250.00	MHz
F <sub>CORECLK</sub>	Core clock maximum frequency	500.00	500.00	250.00	250.00	MHz
F <sub>DRPCLK</sub>	DRP clock maximum frequency	250.00	250.00	250.00	250.00	MHz
F <sub>MCAPCLK</sub>	MCAP clock maximum frequency	125.00	125.00	125.00	125.00	MHz

The PCIe4C blocks for ZU4xDR and ZU6xDR devices have support for the CCIX protocol and timing enhancements allowing the PCIe4C blocks to run Gen3 x16 except with -1 speed grade when V<sub>CCINT</sub> = 0.72V.

**Table 114: Maximum Performance for PCIe4C-based PCI Express and CCIX Designs for ZU4xDR and ZU6xDR Devices**

Symbol	Description	Speed Grade and V <sub>CCINT</sub> Operating Voltages				Units
		0.85V		0.72V		
		-2	-1	-2	-1	
F <sub>PIPECLK</sub>	Pipe clock maximum frequency	250.00	250.00	250.00	250.00	MHz
F <sub>CORECLK</sub>	Core clock maximum frequency	500.00	500.00	500.00	250.00	MHz
F <sub>CORECLKCCIX</sub>	CCIX TL interface clock maximum frequency	500.00	500.00	N/A	N/A	MHz
F <sub>DRPCLK</sub>	DRP clock maximum frequency	250.00	250.00	250.00	250.00	MHz
F <sub>MCAAPCLK</sub>	MCAAP clock maximum frequency	125.00	125.00	125.00	125.00	MHz

## Integrated RF-ADC Block

### RF-ADC Electrical Characteristics

**Table 115: RF-ADC Electrical Characteristics for ZU2xDR Devices**

Parameter	Comments/Conditions <sup>1</sup>	Min	Typ <sup>2</sup>	Max	Units
<b>Analog Inputs</b>					
Resolution		12	-	-	Bits
Sample Rate	Devices using quad ADC tile channel	0.5	-	2.058	GS/s
	Devices using dual ADC tile channel	1	-	4.096	GS/s
Full-scale Input	Input 100Ω on-die termination <sup>3</sup>	-	1	-	V <sub>PPD</sub>
		-	1	-	dBm
Analog Input Bandwidth	Full-power bandwidth (-3 dB) <sup>3</sup>	-	4	-	GHz
Common mode voltage <sup>4</sup>	AC coupling mode with internal bias	-	1.25	-	V
Crosstalk isolation between channels <sup>5</sup>	F <sub>IN</sub> = 240 MHz	-	-70	-	dBc
	F <sub>IN</sub> = 1.9 GHz	-	-70	-	dBc
	F <sub>IN</sub> = 2.4 GHz	-	-70	-	dBc
	F <sub>IN</sub> = 3.5 GHz	-	-70	-	dBc

**Notes:**

1. Analog inputs at -1 dBFS, unless otherwise noted in the test conditions.
2. Typical values are specified at nominal voltage, T<sub>j</sub> = 25°C.
3. Consult S parameter I/O files for further details on input characteristics.
4. When using DC coupling mode, use the VCM output pin to bias the input to the RF-ADC.
5. Values represent two channel crosstalk worst-case values for any combination of channel selections.

Table 116: RF-ADC Electrical Characteristics for ZU39DR Devices

Parameter	Comments/Conditions <sup>1</sup>	Min	Typ <sup>2</sup>	Max	Units
<b>Analog Inputs</b>					
Resolution		12	-	-	Bits
Sample Rate	Devices using quad ADC tile channel	0.5	-	2.220	GS/s
Full-scale Input	Input 100Ω on-die termination	-	1	-	V <sub>PPD</sub>
		-	1	-	dBm
Analog Input Bandwidth	Full-power bandwidth (-3 dB)	-	5	-	GHz
Return Loss (R <sub>L</sub> ) <sup>3</sup>	Up to 4 GHz	-	-10	-	dB
	Up to 5 GHz	-	-8	-	dB
Common mode voltage <sup>4</sup>	AC coupling mode with internal bias	-	1.25	-	V
Crosstalk isolation between channels <sup>5</sup>	F <sub>IN</sub> = 240 MHz	-	-70	-	dBc
	F <sub>IN</sub> = 1.9 GHz	-	-70	-	dBc
	F <sub>IN</sub> = 2.4 GHz	-	-70	-	dBc
	F <sub>IN</sub> = 3.5 GHz	-	-70	-	dBc
	F <sub>IN</sub> = 4.2 GHz	-	-69	-	dBc
	F <sub>IN</sub> = 4.9 GHz	-	-67	-	dBc

**Notes:**

1. Analog inputs at -1 dBFS, unless otherwise noted in the test conditions.
2. Typical values are specified at nominal voltage, T<sub>j</sub> = 25°C.
3. This is the return loss of the worst case channel quoted from DC to a specified frequency point. Consult the S parameter I/O files for further details as input characteristics depend on differential I/O selection. The RL reference plan is closed to the BGA footprint, keeping two times the BGA pitch distance from ball contact to avoid micro-probing electromagnetic disturbance.
4. When using DC coupling mode, use the VCM output pin to bias the input to the RF-ADC.
5. Values represent two channel crosstalk worst-case values for any combination of channel selections.

Table 117: RF-ADC Electrical Characteristics for ZU4xDR Devices

Parameter	Comments/Conditions <sup>1</sup>	Min	Typ <sup>2</sup>	Max	Units
<b>Analog inputs</b>					
Resolution		14	-	-	Bits
Sample Rate	Devices using quad ADC tile channel	0.5	-	2.5	GS/s
	Devices using dual ADC tile channel	1	-	5	GS/s
Full-scale input <sup>3</sup>	Input 100Ω on-die termination when DSA attenuation = 0 dB	-	1	-	V <sub>PPD</sub>
		-	1	-	dBm
Maximum allowed input power	Input 100Ω on-die termination when DSA attenuation ≥ 15 dB	-	4.8	-	V <sub>PPD</sub>
		-	14.6	-	dBm
Digital Attenuation Range		0	-	27	dB
Attenuator step size		-	1	-	dB
Auto attenuation	Automatically set when amplitude over-voltage is asserted	-	15	-	dB
Analog input bandwidth <sup>4</sup>	Full-power bandwidth (-3 dB)	-	6	-	GHz
Return loss (R <sub>L</sub> ) <sup>5</sup>	Up to 4 GHz	-	-12	-	dB
	Up to 6 GHz	-	-10	-	dB
Optimized common mode voltage range	Performance optimized range. AC and DC coupling modes <sup>6</sup>	0.68	0.7	0.72	V
Maximum common mode voltage range	Available range before triggering over-voltage protection. AC and DC coupling modes <sup>6</sup>	0.4	0.7	1	V
Crosstalk isolation between channels <sup>7</sup>	F <sub>IN</sub> = 0–4 GHz	-	-75	-	dBc
	F <sub>IN</sub> = 0–6 GHz	-	-70	-	dBc

**Notes:**

1. Analog inputs at -1 dBFS, unless otherwise noted in the test conditions.
2. Typical values are specified at nominal voltage, T<sub>j</sub> = 40°C.
3. Full scale range is defined as the approximate input power required to drive the ADC to full scale output for a 5 MHz input tone. The full scale range can vary from dual to quad ADCs. It is also subject to variation across process, voltage, and temperature and from package types. The typical average value is provided.
4. ADC bandwidth is defined as the RF input bandwidth, or where the input amplitude response drops 3 dB relative to a low-frequency reference point of 100 MHz.
5. This is the return loss of the worst case channel quoted from DC to a specified frequency point. Consult the S parameter I/O files for further details because input characteristics depend on channel and package selection. The RL reference plan is close to the BGA footprint, keeping two times the BGA pitch distance from ball contact to avoid micro-probing electromagnetic disturbance.
6. When using DC coupling mode, use the VCM output pin to bias the input to the RF-ADC.
7. Values represent two channel crosstalk worst-case values for any combination of channel selections. This specification is only characterized on the XCZU46DR-H1760.

Table 118: RF-ADC Electrical Characteristics for ZU6xDR Devices

Parameter	Comments/Conditions <sup>1</sup>	Min	Typ <sup>2</sup>	Max	Units
<b>Analog inputs</b>					
Resolution		14	-	-	Bits
Sample Rate	Quad ADC tile when ADC_AVCC = 1.01V and -2I, -2LI	0.5	-	2.95	GS/s
	Quad ADC tile when ADC_AVCC = 1.01V and -1I, -1LI, -1M	0.5	-	2.7	GS/s
	Dual ADC tile when ADC_AVCC = 1.01V and -2I, -2LI	1	-	5.9	GS/s
	Dual ADC tile when ADC_AVCC = 1.01V and -1I, -1LI, -1M	1	-	5.4	GS/s
Full-scale input <sup>3</sup>	Input 100Ω on-die termination when DSA attenuation = 0 dB	-	1.12	-	V <sub>PPD</sub>
		-	2	-	dBm
Maximum allowed input power	Input 100Ω on-die termination when DSA attenuation ≥ 15 dB	-	4.8	-	V <sub>PPD</sub>
		-	14.6	-	dBm
Digital Attenuation Range		0	-	27	dB
Attenuator step size		-	1	-	dB
Auto attenuation	Automatically set when amplitude over-voltage is asserted	-	15	-	dB
Analog input bandwidth <sup>4</sup>	Full-power bandwidth (-3 dB)	-	7.125	-	GHz
Return loss (R <sub>L</sub> ) <sup>5</sup>	Up to 4 GHz	-	-12	-	dB
	Up to 7.125 GHz	-	-10	-	dB
Optimized common mode voltage range	Performance optimized range. AC and DC coupling modes <sup>6</sup>	0.68	0.7	0.72	V
Maximum common mode voltage range	Available range before triggering over-voltage protection. AC and DC coupling modes <sup>6</sup>	0.4	0.7	1	V
Crosstalk isolation between channels <sup>7</sup>	F <sub>IN</sub> = 0–4 GHz	-	-69	-	dBc
	F <sub>IN</sub> = 0–7.125 GHz	-	-63	-	dBc

**Notes:**

1. Analog inputs at -1 dBFS, unless otherwise noted in the test conditions.
2. Typical values are specified at nominal voltage, T<sub>j</sub> = 40°C.
3. Full scale range is defined as the approximate input power required to drive the ADC to full scale output for a 5 MHz input tone. The full scale range can vary from dual to quad ADCs. It is also subject to variation across process, voltage, and temperature and from package types. The typical average value is provided.
4. ADC bandwidth is defined as the RF input bandwidth, or where the input amplitude response drops 3 dB relative to a low-frequency reference point of 100 MHz.
5. This is the return loss of the worst case channel quoted from DC to a specified frequency point. Consult the S parameter I/O files for further details because input characteristics depend on channel and package selection. The RL reference plan is close to the BGA footprint, keeping two times the BGA pitch distance from ball contact to avoid micro-probing electromagnetic disturbance.
6. When using DC coupling mode, use the VCM output pin to bias the input to the RF-ADC.
7. Values represent two channel crosstalk worst-case values for any combination of channel selections. This specification is only characterized on the XCZU67DR-E1156.

## RF-ADC Performance Characteristics

Table 119: RF-ADC Quad ADC Tile Performance Characteristics for ZU2xDR Devices

Symbol	Parameter	Comments/Conditions	Min	Typ <sup>1,2</sup>	Max	Units	
ACLR	Adjacent channel leakage ratio using 64QAM modulation, PAR = 6.5 dB	$F_{IN}$ = 3.5 GHz at full-scale Bandwidth = 18 MHz	-	-63	-	dBc	
		$F_{IN}$ = 3.5 GHz, carrier at -10 dBFS, Bandwidth = 18 MHz	-	-60	-58	dBc	
	Adjacent channel leakage ratio using 64QAM modulation, PAR = 6.5 dB, using internal PLL to sample RF-ADC with $F_{REF}$ = 250 MHz	$F_{IN}$ = 3.5 GHz at full-scale Bandwidth = 18 MHz	-	-62	-	dBc	
		$F_{IN}$ = 3.5 GHz, carrier at -10 dBFS Bandwidth = 18 MHz	-	-60	-	dBc	
NSD	Noise spectral density averaged across the first Nyquist zone	Input at -35 dBFS (noise floor)	-	-151.5	-	dBFS/Hz	
		$F_{IN}$ = 240 MHz	-	-150	-147	dBFS/Hz	
		$F_{IN}$ = 1.9 GHz	-	-148	-	dBFS/Hz	
		$F_{IN}$ = 2.4 GHz	-	-146	-144	dBFS/Hz	
		$F_{IN}$ = 3.5 GHz (by temperature range)	E and I	-	-144	-142	dBFS/Hz
			M	-	-144	-141	dBFS/Hz
		$F_{IN}$ = 3.5 GHz, CW at -10 dBFS	-	-149.5	-146	dBFS/Hz	
	$F_{IN}$ = 3.5 GHz, CW at -20 dBFS	-	-151.5	-	dBFS/Hz		
	Noise spectral density averaged across the first Nyquist zone using internal PLL to sample RF-ADC with $F_{REF}$ = 250 MHz	Input at -35 dBFS (noise floor)	-	-152	-	dBFS/Hz	
		$F_{IN}$ = 240 MHz	-	-150	-	dBFS/Hz	
		$F_{IN}$ = 1.9 GHz	-	-147	-	dBFS/Hz	
		$F_{IN}$ = 2.4 GHz	-	-145	-	dBFS/Hz	
		$F_{IN}$ = 3.5 GHz	-	-143	-	dBFS/Hz	
		$F_{IN}$ = 3.5 GHz, CW at -10 dBFS	-	-149	-	dBFS/Hz	
$F_{IN}$ = 3.5 GHz, CW at -20 dBFS		-	-152	-	dBFS/Hz		
SFDR	Spurious free dynamic range excluding second- and third-order harmonic distortion.	$F_{IN}$ = 240 MHz	77	85	-	dBc	
		$F_{IN}$ = 1.9 GHz	-	83	-	dBc	
		$F_{IN}$ = 2.4 GHz	-	82	-	dBc	
		$F_{IN}$ = 3.5 GHz	71	80	-	dBc	
		$F_{IN}$ = 3.5 GHz, CW at -10 dBFS	69	77	-	dBc	
		$F_{IN}$ = 3.5 GHz, CW at -20 dBFS	-	70	-	dBc	
HD2	Second-order harmonic distortion	$F_{IN}$ = 240 MHz	-	-85	-	dBc	
		$F_{IN}$ = 1.9 GHz	-	-68	-	dBc	
		$F_{IN}$ = 2.4 GHz	-	-67	-	dBc	
		$F_{IN}$ = 3.5 GHz	-	-65	-	dBc	
		$F_{IN}$ = 3.5 GHz, CW at -10 dBFS	-	-70	-	dBc	
		$F_{IN}$ = 3.5 GHz, CW at -20 dBFS	-	-79	-	dBc	

Table 119: RF-ADC Quad ADC Tile Performance Characteristics for ZU2xDR Devices (cont'd)

Symbol	Parameter	Comments/Conditions	Min	Typ <sup>1,2</sup>	Max	Units	
HD3	Third-order harmonic distortion	$F_{IN} = 240$ MHz	-	-78	-68	dBc	
		$F_{IN} = 1.9$ GHz	-	-66	-	dBc	
		$F_{IN} = 1.9$ GHz at -2 dBFS	-	-71	-	dBc	
		$F_{IN} = 1.9$ GHz at -3 dBFS	-	-74	-	dBc	
		$F_{IN} = 2.4$ GHz	E and I	-	-64	-60	dBc
			M	-	-64	-58	dBc
		$F_{IN} = 2.4$ GHz at -2 dBFS	-	-67	-	dBc	
		$F_{IN} = 2.4$ GHz at -3 dBFS	-	-69	-	dBc	
		$F_{IN} = 3.5$ GHz	-	-64	-	dBc	
		$F_{IN} = 3.5$ GHz, CW at -10 dBFS	-	-79	-67	dBc	
$F_{IN} = 3.5$ GHz, CW at -20 dBFS	-	-82	-	dBc			
IM3	Two-tone ( $F_1, F_2$ ) third-order intermodulation distortion	$F_{IN} = 240$ MHz center frequency $F_1, F_2$ at -7 dBFS and 20 MHz delta	-	-78	-68	dBc	
		$F_{IN} = 1.9$ GHz center frequency $F_1, F_2$ at -7 dBFS and 20 MHz delta	-	-72	-	dBc	
		$F_{IN} = 2.4$ GHz center frequency $F_1, F_2$ at -7 dBFS and 20 MHz delta	-	-67	-	dBc	
		$F_{IN} = 3.5$ GHz center frequency $F_1, F_2$ at -7 dBFS and 20 MHz delta	E and I	-	-62	-60	dBc
			M	-	-62	-58	dBc
		$F_{IN} = 3.5$ GHz center frequency $F_1, F_2$ at -8 dBFS and 20 MHz delta	-	-65	-	dBc	
		$F_{IN} = 3.5$ GHz center frequency $F_1, F_2$ at -9 dBFS and 20 MHz delta	-	-67	-	dBc	
		$F_{IN} = 3.5$ GHz center frequency $F_1, F_2$ at -16 dBFS and 20 MHz delta	-	-77	-68	dBc	
$F_{IN} = 3.5$ GHz center frequency $F_1, F_2$ at -26 dBFS and 20 MHz delta	-	-76	-	dBc			
GTIS	Gain/time interleaving spur at $K * F_S/N \pm F_{IN}$ , where $N = 4$ and $K = 0, 1, 2, \dots N$	$F_{IN} = 240$ MHz	-	-88	-80	dBc	
		$F_{IN} = 1.9$ GHz	-	-85	-	dBc	
		$F_{IN} = 2.4$ GHz	-	-83	-	dBc	
		$F_{IN} = 3.5$ GHz	-	-80	-70	dBc	
		$F_{IN} = 3.5$ GHz, CW at -10 dBFS	-	-79	-70	dBc	
		$F_{IN} = 3.5$ GHz, CW at -20 dBFS	-	-76	-	dBc	
OIS	Offset interleaving spur at $K * F_S/N$ , where $N = 4$ and $K = 0, 1, 2, \dots N$	$F_{IN} = 240$ MHz	-	-92	-83	dBFS	
		$F_{IN} = 1.9$ GHz	-	-92	-	dBFS	
		$F_{IN} = 2.4$ GHz	-	-92	-	dBFS	
		$F_{IN} = 3.5$ GHz	-	-92	-	dBFS	
		$F_{IN} = 3.5$ GHz, CW at -10 dBFS	-	-92	-82	dBFS	
		$F_{IN} = 3.5$ GHz, CW at -20 dBFS	-	-92	-	dBFS	

**Notes:**

- RF-ADC sampling rate is 2 GS/s using external sampling clock and ADC analog inputs at -1 dBFS, unless otherwise noted in the test conditions. ADC calibration mode is set using the guidance in the *Zynq UltraScale+ RFSoc RF Data Converter LogiCORE IP Product Guide (PG269)*.
- Typical values are specified at nominal voltage,  $T_j = 40^\circ\text{C}$ .

**Table 120: RF-ADC Quad ADC Tile Performance Characteristics for ZU39DR Devices**

Symbol	Parameter	Comments/Conditions	Min	Typ <sup>1,2</sup>	Max	Units	
ACLR	Adjacent channel leakage ratio using 64QAM modulation, PAR = 6.5 dB	$F_{IN} = 3.5$ GHz at full-scale Bandwidth = 18 MHz	-	-63	-	dBc	
		$F_{IN} = 3.5$ GHz, carrier at -10 dBFS, Bandwidth = 18 MHz	-	-60	-58	dBc	
	Adjacent channel leakage ratio using 64QAM modulation, PAR = 6.5 dB, using internal PLL to sample RF-ADC with $F_{REF} = 250$ MHz	$F_{IN} = 3.5$ GHz at full-scale Bandwidth = 18 MHz	-	-62	-	dBc	
		$F_{IN} = 3.5$ GHz, carrier at -10 dBFS Bandwidth = 18 MHz	-	-60	-	dBc	
	Adjacent channel leakage ratio using 64QAM modulation, PAR = 6.5 dB	$F_{IN} = 4.9$ GHz at full-scale Bandwidth = 18 MHz	-	-62	-	dBc	
		$F_{IN} = 4.9$ GHz, carrier at -10 dBFS, Bandwidth = 18 MHz	-	-58	-	dBc	
	Adjacent channel leakage ratio using 64QAM modulation, PAR = 6.5 dB, using internal PLL to sample RF-ADC with $F_{REF} = 250$ MHz	$F_{IN} = 4.9$ GHz at full-scale Bandwidth = 18 MHz	-	-59	-	dBc	
		$F_{IN} = 4.9$ GHz, carrier at -10 dBFS, Bandwidth = 18 MHz	-	-57	-	dBc	
	NSD	Noise spectral density averaged across the first Nyquist zone	Input at -35 dBFS (noise floor)	-	-151.5	-	dBFS/Hz
			$F_{IN} = 240$ MHz	-	-150	-147	dBFS/Hz
$F_{IN} = 1.9$ GHz			-	-148	-	dBFS/Hz	
$F_{IN} = 2.4$ GHz			-	-146	-144	dBFS/Hz	
$F_{IN} = 3.5$ GHz			-	-144	-142	dBFS/Hz	
$F_{IN} = 3.5$ GHz, CW at -10 dBFS			-	-149.5	-146	dBFS/Hz	
$F_{IN} = 3.5$ GHz, CW at -20 dBFS			-	-151.5	-	dBFS/Hz	
$F_{IN} = 4.2$ GHz			-	-144	-	dBFS/Hz	
$F_{IN} = 4.9$ GHz			-	-142	-139	dBFS/Hz	
$F_{IN} = 4.9$ GHz, CW at -10 dBFS			-	-149	-	dBFS/Hz	
$F_{IN} = 4.9$ GHz, CW at -20 dBFS		-	-151	-	dBFS/Hz		
Noise spectral density averaged across the first Nyquist zone using internal PLL to sample RF-ADC with $F_{REF} = 250$ MHz		Input at -35 dBFS (noise floor)	-	-152	-	dBFS/Hz	
		$F_{IN} = 240$ MHz	-	-150	-	dBFS/Hz	
		$F_{IN} = 1.9$ GHz	-	-147	-	dBFS/Hz	
		$F_{IN} = 2.4$ GHz	-	-145	-	dBFS/Hz	
		$F_{IN} = 3.5$ GHz	-	-143	-	dBFS/Hz	
		$F_{IN} = 3.5$ GHz, CW at -10 dBFS	-	-149	-	dBFS/Hz	
		$F_{IN} = 3.5$ GHz, CW at -20 dBFS	-	-152	-	dBFS/Hz	
		$F_{IN} = 4.2$ GHz	-	-142	-	dBFS/Hz	
		$F_{IN} = 4.9$ GHz	-	-140	-	dBFS/Hz	
	$F_{IN} = 4.9$ GHz, CW at -10 dBFS	-	-147	-	dBFS/Hz		
$F_{IN} = 4.9$ GHz, CW at -20 dBFS	-	-151	-	dBFS/Hz			



Table 120: RF-ADC Quad ADC Tile Performance Characteristics for ZU39DR Devices (cont'd)

Symbol	Parameter	Comments/Conditions	Min	Typ <sup>1,2</sup>	Max	Units
SFDR	Spurious free dynamic range excluding second- and third-order harmonic distortion	$F_{IN} = 240 \text{ MHz}$	77	85	-	dBc
		$F_{IN} = 1.9 \text{ GHz}$	-	83	-	dBc
		$F_{IN} = 2.4 \text{ GHz}$	-	82	-	dBc
		$F_{IN} = 3.5 \text{ GHz}$	71	80	-	dBc
		$F_{IN} = 3.5 \text{ GHz, CW at } -10 \text{ dBFS}$	69	77	-	dBc
		$F_{IN} = 3.5 \text{ GHz, CW at } -20 \text{ dBFS}$	-	70	-	dBc
		$F_{IN} = 4.2 \text{ GHz}$	-	77.5	-	dBc
		$F_{IN} = 4.9 \text{ GHz}$	-	72.5	-	dBc
		$F_{IN} = 4.9 \text{ GHz, CW at } -10 \text{ dBFS}$	-	76	-	dBc
		$F_{IN} = 4.9 \text{ GHz, CW at } -20 \text{ dBFS}$	-	67	-	dBc
HD2	Second-order harmonic distortion	$F_{IN} = 1.9 \text{ GHz}$	-	-68	-	dBc
		$F_{IN} = 2.4 \text{ GHz}$	-	-67	-	dBc
		$F_{IN} = 3.5 \text{ GHz}$	-	-65	-	dBc
		$F_{IN} = 3.5 \text{ GHz, CW at } -10 \text{ dBFS}$	-	-70	-	dBc
		$F_{IN} = 3.5 \text{ GHz, CW at } -20 \text{ dBFS}$	-	-79	-	dBc
		$F_{IN} = 4.2 \text{ GHz}$	-	-60	-	dBc
		$F_{IN} = 4.9 \text{ GHz}$	-	-50	-	dBc
		$F_{IN} = 4.9 \text{ GHz, CW at } -10 \text{ dBFS}$	-	-63	-	dBc
$F_{IN} = 4.9 \text{ GHz, CW at } -20 \text{ dBFS}$	-	-73	-	dBc		
HD3	Third-order harmonic distortion	$F_{IN} = 240 \text{ MHz}$	-	-78	-68	dBc
		$F_{IN} = 1.9 \text{ GHz}$	-	-66	-	dBc
		$F_{IN} = 1.9 \text{ GHz at } -2 \text{ dBFS}$	-	-71	-	dBc
		$F_{IN} = 1.9 \text{ GHz at } -3 \text{ dBFS}$	-	-74	-	dBc
		$F_{IN} = 2.4 \text{ GHz}$	-	-64	-	dBc
		$F_{IN} = 2.4 \text{ GHz at } -2 \text{ dBFS}$	-	-67	-	dBc
		$F_{IN} = 2.4 \text{ GHz at } -3 \text{ dBFS}$	-	-69	-	dBc
		$F_{IN} = 3.5 \text{ GHz}$	-	-64	-	dBc
		$F_{IN} = 3.5 \text{ GHz at } -2 \text{ dBFS}$	-	-64	-	dBc
		$F_{IN} = 3.5 \text{ GHz at } -3 \text{ dBFS}$	-	-66	-	dBc
		$F_{IN} = 3.5 \text{ GHz, CW at } -10 \text{ dBFS}$	-	-79	-67	dBc
		$F_{IN} = 3.5 \text{ GHz, CW at } -20 \text{ dBFS}$	-	-82	-	dBc
		$F_{IN} = 4.2 \text{ GHz}$	-	-53	-	dBc
		$F_{IN} = 4.9 \text{ GHz}$	-	-47	-	dBc
		$F_{IN} = 4.9 \text{ GHz at } -2 \text{ dBFS}$	-	-49	-	dBc
		$F_{IN} = 4.9 \text{ GHz at } -3 \text{ dBFS}$	-	-51	-	dBc
$F_{IN} = 4.9 \text{ GHz at } -10 \text{ dBFS}$	-	-65	-	dBc		
$F_{IN} = 4.9 \text{ GHz at } -20 \text{ dBFS}$	-	-80	-	dBc		

Table 120: RF-ADC Quad ADC Tile Performance Characteristics for ZU39DR Devices (cont'd)

Symbol	Parameter	Comments/Conditions	Min	Typ <sup>1,2</sup>	Max	Units
IM3	Two-tone ( $F_1, F_2$ ) third-order intermodulation distortion	$F_{IN} = 240$ MHz center frequency $F_1, F_2$ at $-7$ dBFS and 20 MHz delta	-	-78	-68	dBc
		$F_{IN} = 1.9$ GHz center frequency $F_1, F_2$ at $-7$ dBFS and 20 MHz delta	-	-72	-	dBc
		$F_{IN} = 2.4$ GHz center frequency $F_1, F_2$ at $-7$ dBFS and 20 MHz delta	-	-67	-	dBc
		$F_{IN} = 3.5$ GHz center frequency $F_1, F_2$ at $-7$ dBFS and 20 MHz delta	-	-62	-60	dBc
		$F_{IN} = 3.5$ GHz center frequency $F_1, F_2$ at $-8$ dBFS and 20 MHz delta	-	-65	-	dBc
		$F_{IN} = 3.5$ GHz center frequency $F_1, F_2$ at $-9$ dBFS and 20 MHz delta	-	-67	-	dBc
		$F_{IN} = 3.5$ GHz center frequency $F_1, F_2$ at $-16$ dBFS and 20 MHz delta	-	-77	-68	dBc
		$F_{IN} = 3.5$ GHz center frequency $F_1, F_2$ at $-26$ dBFS and 20 MHz delta	-	-76	-	dBc
		$F_{IN} = 4.2$ GHz center frequency $F_1, F_2$ at $-7$ dBFS and 20 MHz delta	-	-62	-	dBc
		$F_{IN} = 4.9$ GHz center frequency $F_1, F_2$ at $-7$ dBFS and 20 MHz delta	-	-54	-	dBc
		$F_{IN} = 4.9$ GHz center frequency $F_1, F_2$ at $-8$ dBFS and 20 MHz delta	-	-56	-	dBc
		$F_{IN} = 4.9$ GHz center frequency $F_1, F_2$ at $-9$ dBFS and 20 MHz delta	-	-59	-	dBc
		$F_{IN} = 4.9$ GHz center frequency $F_1, F_2$ at $-16$ dBFS and 20 MHz delta	-	-73	-	dBc
		$F_{IN} = 4.9$ GHz center frequency $F_1, F_2$ at $-26$ dBFS and 20 MHz delta	-	-76	-	dBc
GTIS	Gain/time interleaving spur at $K * F_S/N \pm F_{IN}$ , where $N = 4$ and $K = 0, 1, 2, \dots, N$	$F_{IN} = 240$ MHz	-	-88	-80	dBc
		$F_{IN} = 1.9$ GHz	-	-85	-	dBc
		$F_{IN} = 2.4$ GHz	-	-83	-	dBc
		$F_{IN} = 3.5$ GHz	-	-80	-70	dBc
		$F_{IN} = 3.5$ GHz, CW at $-10$ dBFS	-	-79	-70	dBc
		$F_{IN} = 3.5$ GHz, CW at $-20$ dBFS	-	-76	-	dBc
		$F_{IN} = 4.2$ GHz	-	-79	-	dBc
		$F_{IN} = 4.9$ GHz	-	-77	-	dBc
		$F_{IN} = 4.9$ GHz, CW at $-10$ dBFS	-	-76	-	dBc
$F_{IN} = 4.9$ GHz, CW at $-20$ dBFS	-	-76	-	dBc		

Table 120: RF-ADC Quad ADC Tile Performance Characteristics for ZU39DR Devices (cont'd)

Symbol	Parameter	Comments/Conditions	Min	Typ <sup>1,2</sup>	Max	Units
OIS	Offset interleaving spur at $K * F_S/N$ , where $N = 4$ and $K = 0, 1, 2, \dots N$	$F_{IN} = 240$ MHz	-	-92	-83	dBFS
		$F_{IN} = 1.9$ GHz	-	-92	-	dBFS
		$F_{IN} = 2.4$ GHz	-	-92	-	dBFS
		$F_{IN} = 3.5$ GHz	-	-92	-	dBFS
		$F_{IN} = 3.5$ GHz, CW at -10 dBFS	-	-92	-82	dBFS
		$F_{IN} = 3.5$ GHz, CW at -20 dBFS	-	-92	-	dBFS
		$F_{IN} = 4.2$ GHz	-	-92	-	dBFS
		$F_{IN} = 4.9$ GHz	-	-92	-	dBFS
		$F_{IN} = 4.9$ GHz, CW at -10 dBFS	-	-92	-	dBFS
		$F_{IN} = 4.9$ GHz, CW at -20 dBFS	-	-92	-	dBFS

**Notes:**

- RF-ADC sampling rate is 2 GS/s using external sampling clock and ADC analog inputs at -1 dBFS, unless otherwise noted in the test conditions. ADC calibration mode is set using the guidance in the *Zynq UltraScale+ RFSoc RF Data Converter LogiCORE IP Product Guide (PG269)*.
- Typical values are specified at nominal voltage,  $T_j = 40^\circ\text{C}$ .

Table 121: RF-ADC Quad ADC Tile Performance Characteristics for ZU4xDR Devices (ACLR Only)

Symbol	Parameter	Comments/Conditions	RF-DSA Attenuation				Units
			0 dB		5 dB		
			Min	Typ <sup>1, 2</sup>	Max	Typ <sup>1, 2</sup>	
ACLR <sup>3</sup>	Adjacent channel leakage ratio using 64QAM modulation, PAR = 6.5 dB, measured with external sampling clock forwarded between tiles.	F <sub>IN</sub> = 3.5 GHz at full-scale Bandwidth = 18 MHz	-	-63.0	-	-60.0	dBc
		F <sub>IN</sub> = 3.5 GHz, Carrier at -10 dBFS, Bandwidth = 18 MHz	-	-60.0	-56.4	-60.0	dBc
		F <sub>IN</sub> = 4.9 GHz at full-scale Bandwidth = 18 MHz	-	-62.0	-	-58.0	dBc
		F <sub>IN</sub> = 4.9 GHz, Carrier at -10 dBFS, Bandwidth = 18 MHz	-	-60.0	-56.4	-60.0	dBc
		F <sub>IN</sub> = 5.9 GHz at full-scale Bandwidth = 18 MHz	-	-58.0	-	-56.0	dBc
		F <sub>IN</sub> = 5.9 GHz, Carrier at -10 dBFS, Bandwidth = 18 MHz	-	-59.0	-55.9	-59.0	dBc
	Adjacent channel leakage ratio with F <sub>REF</sub> = 500 MHz <sup>4</sup> measured with sampling clock generated from internal RF PLL and forwarded between tiles.	F <sub>IN</sub> = 3.5 GHz at full-scale Bandwidth = 18 MHz	-	-62.0	-	-60.0	dBc
		F <sub>IN</sub> = 3.5 GHz, Carrier at -10 dBFS, Bandwidth = 18 MHz	-	-60.0	-55.4	-59.0	dBc
		F <sub>IN</sub> = 4.9 GHz at full-scale Bandwidth = 18 MHz	-	-61.0	-	-58.0	dBc
		F <sub>IN</sub> = 4.9 GHz, Carrier at -10 dBFS, Bandwidth = 18 MHz	-	-59.0	-55.4	-59.0	dBc
		F <sub>IN</sub> = 5.9 GHz at full-scale Bandwidth = 18 MHz	-	-58.0	-	-55.0	dBc
		F <sub>IN</sub> = 5.9 GHz, Carrier at -10 dBFS, Bandwidth = 18 MHz	-	-58.0	-54.9	-58.0	dBc

**Notes:**

- RF-ADC sampling rate is 2.5 GS/s using external sampling clock and ADC analog inputs at -1 dBFS, unless otherwise noted in the test conditions. ADC calibration mode is set to AutoCal mode. The ADC tiles are characterized using the on-chip clock forwarding configuration from tile 1 (bank 225), except when mentioned in the parameter condition column.
- Typical values are specified at nominal voltage, T<sub>j</sub> = 40°C.
- Results showing poorer ACLR performance at higher input power than -10 dBFS back off point are limited by linearity of the vector signal generator source.
- See *Zynq UltraScale+ RFSoc RF Data Converter LogiCORE IP Product Guide (PG269)* for internal PLL information.

**Table 122: RF-ADC Quad ADC Tile Performance Characteristics for ZU4xDR Devices**

Symbol	Parameter	Comments/Conditions	RF-DSA Attenuation				Units
			0 dB		10 dB		
			Min	Typ <sup>1,2</sup>	Max	Typ <sup>1,2</sup>	
NSD	Noise spectral density averaged across the first Nyquist zone, measured with external sampling clock forwarded between tiles.	Input at -35 dBFS (noise floor)	-	-150.5	-	-151.0	dBFS/Hz
		F <sub>IN</sub> = 240 MHz	-	-150.0	-147.0	-150.0	dBFS/Hz
		F <sub>IN</sub> = 1.9 GHz	-	-149.0	-	-149.0	dBFS/Hz
		F <sub>IN</sub> = 2.4 GHz	-	-148.0	-146.0	-148.0	dBFS/Hz
		F <sub>IN</sub> = 3.5 GHz	-	-146.0	-144.0	-146.0	dBFS/Hz
		F <sub>IN</sub> = 3.5 GHz, CW at -10 dBFS	-	-150.0	-147.5	-150.0	dBFS/Hz
		F <sub>IN</sub> = 4.9 GHz	-	-145.0	-143.0	-145.0	dBFS/Hz
		F <sub>IN</sub> = 4.9 GHz, CW at -10 dBFS	-	-149.0	-147.8	-149.0	dBFS/Hz
		F <sub>IN</sub> = 5.9 GHz	-	-144.0	-141.0	-144.0	dBFS/Hz
		F <sub>IN</sub> = 5.9 GHz, CW at -10 dBFS	-	-149.0	-147.1	-149.0	dBFS/Hz
	Noise spectral density with F <sub>REF</sub> = 500 MHz, <sup>3</sup> measured with sampling clock generated from internal RF PLL and forwarded between tiles.	Input at -35 dBFS (noise floor)	-	-150.5	-	-151.0	dBFS/Hz
		F <sub>IN</sub> = 240 MHz	-	-150.0	-145.0	-150.0	dBFS/Hz
		F <sub>IN</sub> = 1.9 GHz	-	-147.0	-	-147.0	dBFS/Hz
		F <sub>IN</sub> = 2.4 GHz	-	-145.0	-	-145.0	dBFS/Hz
		F <sub>IN</sub> = 3.5 GHz	-	-143.0	-142.0	-143.0	dBFS/Hz
		F <sub>IN</sub> = 3.5 GHz, CW at -10 dBFS	-	-149.0	-147.0	-149.0	dBFS/Hz
		F <sub>IN</sub> = 3.5 GHz, CW at -20 dBFS	-	-150.0	-	-150.0	dBFS/Hz
		F <sub>IN</sub> = 4.9 GHz	-	-142.0	-140.0	-142.0	dBFS/Hz
		F <sub>IN</sub> = 4.9 GHz, CW at -10 dBFS	-	-148.0	-146.0	-148.0	dBFS/Hz
		F <sub>IN</sub> = 4.9 GHz, CW at -20 dBFS	-	-151.0	-	-151.0	dBFS/Hz
SFDR	Spurious free dynamic range excluding second- and third-order harmonic distortion, and including OIS and GTIS spurs.	F <sub>IN</sub> = 240 MHz	72.0	84.0	-	82.0	dBc
		F <sub>IN</sub> = 1.9 GHz	-	83.0	-	81.0	dBc
		F <sub>IN</sub> = 2.4 GHz	-	82.0	-	80.0	dBc
		F <sub>IN</sub> = 3.5 GHz	72.0	80.0	-	79.0	dBc
		F <sub>IN</sub> = 3.5 GHz, CW at -10 dBFS	64.0	77.0	-	74.0	dBc
		F <sub>IN</sub> = 3.5 GHz, CW at -20 dBFS	-	66.0	-	65.0	dBc
		F <sub>IN</sub> = 4.9 GHz	67.0	77.0	-	76.0	dBc
		F <sub>IN</sub> = 4.9 GHz, CW at -10 dBFS	66.0	75.0	-	74.0	dBc
		F <sub>IN</sub> = 4.9 GHz, CW at -20 dBFS	-	66.0	-	65.0	dBc
		F <sub>IN</sub> = 5.9 GHz	66.0	75.0	-	75.0	dBc
		F <sub>IN</sub> = 5.9 GHz, CW at -10 dBFS	65.0	74.0	-	73.0	dBc
		F <sub>IN</sub> = 5.9 GHz, CW at -20 dBFS	-	66.0	-	65.0	dBc

Table 122: RF-ADC Quad ADC Tile Performance Characteristics for ZU4xDR Devices (cont'd)

Symbol	Parameter	Comments/Conditions	RF-DSA Attenuation				Units
			0 dB		10 dB		
			Min	Typ <sup>1,2</sup>	Max	Typ <sup>1,2</sup>	
HD2	Second-order harmonic distortion <sup>4</sup>	F <sub>IN</sub> = 240 MHz	-	-81.0	-	-82.0	dBc
		F <sub>IN</sub> = 1.9 GHz	-	-67.0	-	-64.0	dBc
		F <sub>IN</sub> = 2.4 GHz	-	-62.0	-	-60.0	dBc
		F <sub>IN</sub> = 3.5 GHz	-	-56.0	-	-54.0	dBc
		F <sub>IN</sub> = 3.5 GHz, CW at -2 dBFS	-	-57.0	-	-55.0	dBc
		F <sub>IN</sub> = 3.5 GHz, CW at -3 dBFS	-	-58.0	-	-56.0	dBc
		F <sub>IN</sub> = 3.5 GHz, CW at -10 dBFS	-	-65.0	-	-63.0	dBc
		F <sub>IN</sub> = 3.5 GHz, CW at -20 dBFS	-	-75.0	-	-74.0	dBc
		F <sub>IN</sub> = 4.9 GHz	-	-51.0	-	-48.0	dBc
		F <sub>IN</sub> = 4.9 GHz, CW at -2 dBFS	-	-52.0	-	-49.0	dBc
		F <sub>IN</sub> = 4.9 GHz, CW at -3 dBFS	-	-53.0	-	-50.0	dBc
		F <sub>IN</sub> = 4.9 GHz, CW at -10 dBFS	-	-60.0	-	-57.0	dBc
		F <sub>IN</sub> = 4.9 GHz, CW at -20 dBFS	-	-69.0	-	-67.0	dBc
		F <sub>IN</sub> = 5.9 GHz	-	-49.0	-	-47.0	dBc
		F <sub>IN</sub> = 5.9 GHz, CW at -10 dBFS	-	-58.0	-	-56.0	dBc
F <sub>IN</sub> = 5.9 GHz, CW at -20 dBFS	-	-68.0	-	-66.0	dBc		
HD3	Third-order harmonic distortion	F <sub>IN</sub> = 240 MHz	-	-76.0	-65.0	-73.0	dBc
		F <sub>IN</sub> = 1.9 GHz	-	-69.0	-	-65.0	dBc
		F <sub>IN</sub> = 2.4 GHz	-	-68.0	-	-66.0	dBc
		F <sub>IN</sub> = 3.5 GHz	-	-67.0	-	-69.0	dBc
		F <sub>IN</sub> = 3.5 GHz, CW at -2 dBFS	-	-68.0	-	-71.0	dBc
		F <sub>IN</sub> = 3.5 GHz, CW at -3 dBFS	-	-70.0	-	-72.0	dBc
		F <sub>IN</sub> = 3.5 GHz, CW at -10 dBFS	-	-80.0	-67.0	-81.0	dBc
		F <sub>IN</sub> = 3.5 GHz, CW at -20 dBFS	-	-82.0	-	-82.0	dBc
		F <sub>IN</sub> = 4.9 GHz	-	-56.0	-	-56.0	dBc
		F <sub>IN</sub> = 4.9 GHz, CW at -2 dBFS	-	-58.0	-	-58.0	dBc
		F <sub>IN</sub> = 4.9 GHz, CW at -3 dBFS	-	-60.0	-	-60.0	dBc
		F <sub>IN</sub> = 4.9 GHz at -10 dBFS	-	-75.0	-64.0	-75.0	dBc
		F <sub>IN</sub> = 4.9 GHz at -20 dBFS	-	-81.0	-	-81.0	dBc
		F <sub>IN</sub> = 5.9 GHz	-	-50.0	-	-50.0	dBc
		F <sub>IN</sub> = 5.9 GHz, CW at -10 dBFS	-	-68.0	-61.0	-68.0	dBc
F <sub>IN</sub> = 5.9 GHz, CW at -20 dBFS	-	-80.0	-	-80.0	dBc		

Table 122: RF-ADC Quad ADC Tile Performance Characteristics for ZU4xDR Devices (cont'd)

Symbol	Parameter	Comments/Conditions	RF-DSA Attenuation				Units
			0 dB		10 dB		
			Min	Typ <sup>1,2</sup>	Max	Typ <sup>1,2</sup>	
IM3	Two-tone ( $F_1$ , $F_2$ ) third-order inter-modulation distortion	$F_{IN} = 240$ MHz center frequency, $F_1$ , $F_2$ at -7 dBFS and 20 MHz delta	-	-81.0	-74.0	-75.0	dBc
		$F_{IN} = 1.9$ GHz center frequency, $F_1$ , $F_2$ at -7 dBFS and 20 MHz delta	-	-75.0	-	-71.0	dBc
		$F_{IN} = 2.4$ GHz center frequency, $F_1$ , $F_2$ at -7 dBFS and 20 MHz delta	-	-74.0	-	-70.0	dBc
		$F_{IN} = 3.5$ GHz center frequency, $F_1$ , $F_2$ at -7 dBFS and 20 MHz delta	-	-69.0	-61.0	-70.0	dBc
		$F_{IN} = 3.5$ GHz center frequency, $F_1$ , $F_2$ at -9 dBFS and 20 MHz delta	-	-74.0	-	-74.0	dBc
		$F_{IN} = 3.5$ GHz center frequency, $F_1$ , $F_2$ at -16 dBFS and 20 MHz delta	-	-80.0	-68.0	-80.0	dBc
		$F_{IN} = 3.5$ GHz center frequency, $F_1$ , $F_2$ at -26 dBFS and 20 MHz delta	-	-75.0	-	-75.0	dBc
		$F_{IN} = 4.9$ GHz center frequency, $F_1$ , $F_2$ at -7 dBFS and 20 MHz delta	-	-59.0	-53.0	-56.0	dBc
		$F_{IN} = 4.9$ GHz center frequency, $F_1$ , $F_2$ at -16 dBFS and 20 MHz delta	-	-75.0	-68.0	-75.0	dBc
		$F_{IN} = 4.9$ GHz center frequency, $F_1$ , $F_2$ at -26 dBFS and 20 MHz delta	-	-74.0	-	-74.0	dBc
		$F_{IN} = 5.9$ GHz center frequency, $F_1$ , $F_2$ at -7 dBFS and 20 MHz delta	-	-53.0	-	-53.0	dBc
		$F_{IN} = 5.9$ GHz center frequency, $F_1$ , $F_2$ at -16 dBFS and 20 MHz delta	-	-71.0	-65.0	-71.0	dBc
		$F_{IN} = 5.9$ GHz center frequency, $F_1$ , $F_2$ at -26 dBFS and 20 MHz delta	-	-74.0	-	-74.0	dBc
GTIS	Gain/time interleaving spur at $K * F_S/N \pm F_{IN}$ , where $N = 4$ and $K = 0, 1, 2, \dots N$	$F_{IN} = 240$ MHz	-	-97.0	-80.0	-97.0	dBc
		$F_{IN} = 1.9$ GHz	-	-90.0	-	-90.0	dBc
		$F_{IN} = 2.4$ GHz	-	-88.0	-	-88.0	dBc
		$F_{IN} = 3.5$ GHz	-	-85.0	-75.0	-85.0	dBc
		$F_{IN} = 3.5$ GHz, CW at -10 dBFS	-	-83.0	-75.0	-83.0	dBc
		$F_{IN} = 3.5$ GHz, CW at -20 dBFS	-	-78.0	-	-78.0	dBc
		$F_{IN} = 4.9$ GHz	-	-82.0	-	-82.0	dBc
		$F_{IN} = 4.9$ GHz, CW at -10 dBFS	-	-81.0	-73.0	-81.0	dBc
		$F_{IN} = 4.9$ GHz, CW at -20 dBFS	-	-76.0	-	-76.0	dBc
		$F_{IN} = 5.9$ GHz	-	-80.0	-	-80.0	dBc
		$F_{IN} = 5.9$ GHz, CW at -10 dBFS	-	-80.0	-70.0	-80.0	dBc
		$F_{IN} = 5.9$ GHz, CW at -20 dBFS	-	-76.0	-	-76.0	dBc

Table 122: RF-ADC Quad ADC Tile Performance Characteristics for ZU4xDR Devices (cont'd)

Symbol	Parameter	Comments/Conditions	RF-DSA Attenuation				Units
			0 dB		10 dB		
			Min	Typ <sup>1, 2</sup>	Max	Typ <sup>1, 2</sup>	
OIS	Offset interleaving spur at $K * F_S/N$ , where $N = 4$ and $K = 0, 1, 2, \dots N$	$F_{IN} = 240$ MHz	-	-88.0	-77.0	-85.0	dBFS
		$F_{IN} = 1.9$ GHz	-	-86.0	-	-83.0	dBFS
		$F_{IN} = 2.4$ GHz	-	-86.0	-	-81.0	dBFS
		$F_{IN} = 3.5$ GHz	-	-87.0	-76.0	-82.0	dBFS
		$F_{IN} = 3.5$ GHz, CW at -10 dBFS	-	-87.0	-76.0	-85.0	dBFS
		$F_{IN} = 3.5$ GHz, CW at -20 dBFS	-	-87.0	-	-85.0	dBFS
		$F_{IN} = 4.9$ GHz	-	-82.0	-71.0	-81.0	dBFS
		$F_{IN} = 4.9$ GHz, CW at -10 dBFS	-	-87.0	-76.0	-84.0	dBFS
		$F_{IN} = 4.9$ GHz, CW at -20 dBFS	-	-88.0	-	-86.0	dBFS
		$F_{IN} = 5.9$ GHz	-	-81.0	-70.0	-79.0	dBFS
		$F_{IN} = 5.9$ GHz, CW at -10 dBFS	-	-87.0	-76.0	-85.0	dBFS
		$F_{IN} = 5.9$ GHz, CW at -20 dBFS	-	-88.0	-	-86.0	dBFS

**Notes:**

1. RF-ADC sampling rate is 2.5 GS/s using external sampling clock and ADC analog inputs at -1 dBFS, unless otherwise noted in the test conditions. ADC calibration mode is set to AutoCal mode. The ADC tiles are characterized using the on-chip clock forwarding configuration from tile 1 (bank 225), except when mentioned in the parameter condition column.
2. Typical values are specified at nominal voltage,  $T_j = 40^\circ\text{C}$ .
3. See *Zynq UltraScale+ RFSoc RF Data Converter LogiCORE IP Product Guide (PG269)* for internal PLL information.
4. HD2 measurement is heavily influenced by the intrinsic phase imbalance (P to N skew) presented at the ADC inputs from the test setup such as balun skew, cabling skew, and PCB skew. Results presented include systematic skews of the testing environment.



**Table 123: RF-ADC Quad ADC Tile Performance Characteristics for ZU6xDR Devices (ACLR Only)**

Symbol	Parameter	Comments/Conditions	RF-DSA Attenuation				Units
			0 dB		5 dB		
			Min	Typ <sup>1, 2</sup>	Max	Typ <sup>1, 2</sup>	
ACLR <sup>3</sup>	Adjacent channel leakage ratio using 64QAM modulation, PAR = 6.5 dB, measured with external sampling clock forwarded between tiles	F <sub>IN</sub> = 3.5 GHz at full-scale Bandwidth = 18 MHz	-	-62.4	-	-61.1	dBc
		F <sub>IN</sub> = 3.5 GHz, Carrier at -10 dBFS Bandwidth = 18 MHz	-	-60.4	-	-60.6	dBc
		F <sub>IN</sub> = 4.9 GHz at full-scale Bandwidth = 18 MHz	-	-61.7	-	-58.8	dBc
		F <sub>IN</sub> = 4.9 GHz, Carrier at -10 dBFS Bandwidth = 18 MHz	-	-60.4	-	-60.7	dBc
		F <sub>IN</sub> = 5.9 GHz at full-scale Bandwidth = 18 MHz	-	-57.9	-	-55.8	dBc
		F <sub>IN</sub> = 5.9 GHz, Carrier at -10 dBFS Bandwidth = 18 MHz	-	-59.5	-	-59.7	dBc
		F <sub>IN</sub> = 6.9 GHz at full-scale Bandwidth = 18 MHz	-	-56.2	-	-54.7	dBc
		F <sub>IN</sub> = 6.9 GHz, Carrier at -10 dBFS Bandwidth = 18 MHz	-	-59.3	-	-59.7	dBc
	Adjacent channel leakage ratio with F <sub>REF</sub> = 590 MHz <sup>4</sup> measured with sampling clock generated from internal RF PLL and forwarded between tiles	F <sub>IN</sub> = 3.5 GHz at full-scale Bandwidth = 18 MHz	-	-61.8	-	-60.7	dBc
		F <sub>IN</sub> = 3.5 GHz, Carrier at -10 dBFS Bandwidth = 18 MHz	-	-60.0	-	-60.2	dBc
		F <sub>IN</sub> = 4.9 GHz at full-scale Bandwidth = 18 MHz	-	-60.7	-	-58.3	dBc
		F <sub>IN</sub> = 4.9 GHz, Carrier at -10 dBFS Bandwidth = 18 MHz	-	-59.6	-	-59.9	dBc
		F <sub>IN</sub> = 5.9 GHz at full-scale Bandwidth = 18 MHz	-	-57.2	-	-55.4	dBc
		F <sub>IN</sub> = 5.9 GHz, Carrier at -10 dBFS Bandwidth = 18 MHz	-	-58.6	-	-58.7	dBc
F <sub>IN</sub> = 6.9 GHz at full-scale Bandwidth = 18 MHz		-	-55.6	-	-54.3	dBc	
F <sub>IN</sub> = 6.9 GHz, Carrier at -10 dBFS Bandwidth = 18 MHz		-	-58.2	-	-58.6	dBc	

**Notes:**

- RF-ADC sampling rate is 2.95 GS/s using external sampling clock and ADC analog inputs at -1 dBFS, unless otherwise noted in the test conditions. ADC calibration mode is set to AutoCal mode. The ADC tiles are characterized using the on-chip clock forwarding configuration, except when mentioned in the parameter condition column.
- Typical values are specified at nominal voltage, T<sub>j</sub> = 40°C.
- Results showing poorer ACLR performance at higher input power than -10 dBFS back off point are limited by linearity of the vector signal generator source.
- See *Zynq UltraScale+ RFSoc RF Data Converter LogiCORE IP Product Guide (PG269)* for internal PLL information.

Table 124: RF-ADC Quad ADC Tile Performance Characteristics for ZU6xDR Devices

Symbol	Parameter	Comments/Conditions	RF-DSA Attenuation				Units
			0 dB		10 dB		
			Min	Typ <sup>1,2</sup>	Max	Typ <sup>1,2</sup>	
NSD	Noise spectral density averaged across the first Nyquist zone, measured with external sampling clock forwarded between tiles	Input at -35 dBFS (noise floor)	-	-151.4	-	-151.8	dBFS/Hz
		F <sub>IN</sub> = 240 MHz	-	-150.7	-	-150.2	dBFS/Hz
		F <sub>IN</sub> = 1.9 GHz	-	-149.9	-	-150.2	dBFS/Hz
		F <sub>IN</sub> = 2.4 GHz	-	-148.9	-	-149.2	dBFS/Hz
		F <sub>IN</sub> = 3.5 GHz	-	-148.4	-	-148.6	dBFS/Hz
		F <sub>IN</sub> = 3.5 GHz, CW at -10 dBFS	-	-150.9	-	-151.3	dBFS/Hz
		F <sub>IN</sub> = 4.9 GHz	-	-146.7	-	-146.8	dBFS/Hz
		F <sub>IN</sub> = 4.9 GHz, CW at -10 dBFS	-	-150.5	-	-150.8	dBFS/Hz
		F <sub>IN</sub> = 5.9 GHz	-	-145.4	-	-145.3	dBFS/Hz
		F <sub>IN</sub> = 5.9 GHz, CW at -10 dBFS	-	-150.1	-	-150.3	dBFS/Hz
	F <sub>IN</sub> = 6.9 GHz	-	-144.5	-	-144.6	dBFS/Hz	
	F <sub>IN</sub> = 6.9 GHz, CW at -10 dBFS	-	-149.7	-	-150.0	dBFS/Hz	
	Noise spectral density with F <sub>REF</sub> = 590 MHz <sup>3</sup> , measured with sampling clock generated from internal RF PLL and forwarded between tiles	Input at -35 dBFS (noise floor)	-	-151.4	-	-151.9	dBFS/Hz
		F <sub>IN</sub> = 240 MHz	-	-150.6	-	-149.6	dBFS/Hz
		F <sub>IN</sub> = 1.9 GHz	-	-149.3	-	-149.5	dBFS/Hz
		F <sub>IN</sub> = 2.4 GHz	-	-148.1	-	-148.3	dBFS/Hz
		F <sub>IN</sub> = 3.5 GHz	-	-146.9	-	-147.1	dBFS/Hz
		F <sub>IN</sub> = 3.5 GHz, CW at -10 dBFS	-	-150.6	-	-150.9	dBFS/Hz
		F <sub>IN</sub> = 3.5 GHz, CW at -20 dBFS	-	-151.4	-	-151.8	dBFS/Hz
		F <sub>IN</sub> = 4.9 GHz	-	-144.8	-	-144.9	dBFS/Hz
F <sub>IN</sub> = 4.9 GHz, CW at -10 dBFS		-	-149.9	-	-150.2	dBFS/Hz	
F <sub>IN</sub> = 4.9 GHz, CW at -20 dBFS		-	-151.3	-	-151.7	dBFS/Hz	
F <sub>IN</sub> = 5.9 GHz	-	-143.4	-	-143.4	dBFS/Hz		
F <sub>IN</sub> = 5.9 GHz, CW at -10 dBFS	-	-149.2	-	-149.4	dBFS/Hz		
F <sub>IN</sub> = 5.9 GHz, CW at -20 dBFS	-	-151.2	-	-151.6	dBFS/Hz		
F <sub>IN</sub> = 6.9 GHz	-	-142.4	-	-142.5	dBFS/Hz		
F <sub>IN</sub> = 6.9 GHz, CW at -10 dBFS	-	-148.7	-	-148.9	dBFS/Hz		
F <sub>IN</sub> = 6.9 GHz, CW at -20 dBFS	-	-151.1	-	-151.5	dBFS/Hz		

Table 124: RF-ADC Quad ADC Tile Performance Characteristics for ZU6xDR Devices (cont'd)

Symbol	Parameter	Comments/Conditions	RF-DSA Attenuation				Units
			0 dB		10 dB		
			Min	Typ <sup>1,2</sup>	Max	Typ <sup>1,2</sup>	
SFDR	Spurious free dynamic range excluding second- and third-order harmonic distortion and including OIS & GTIS spurs	$F_{IN} = 240 \text{ MHz}$	-	81.6	-	77.9	dBc
		$F_{IN} = 1.9 \text{ GHz}$	-	82.1	-	80.3	dBc
		$F_{IN} = 2.4 \text{ GHz}$	-	81.7	-	79.5	dBc
		$F_{IN} = 3.5 \text{ GHz}$	-	80.5	-	79.0	dBc
		$F_{IN} = 3.5 \text{ GHz, CW at } -10 \text{ dBFS}$	-	73.8	-	71.9	dBc
		$F_{IN} = 3.5 \text{ GHz, CW at } -20 \text{ dBFS}$	-	63.6	-	61.6	dBc
		$F_{IN} = 4.9 \text{ GHz}$	-	77.5	-	76.7	dBc
		$F_{IN} = 4.9 \text{ GHz, CW at } -10 \text{ dBFS}$	-	73.5	-	71.9	dBc
		$F_{IN} = 4.9 \text{ GHz, CW at } -20 \text{ dBFS}$	-	63.6	-	61.8	dBc
		$F_{IN} = 5.9 \text{ GHz}$	-	76.3	-	75.4	dBc
		$F_{IN} = 5.9 \text{ GHz, CW at } -10 \text{ dBFS}$	-	73.4	-	71.7	dBc
		$F_{IN} = 5.9 \text{ GHz, CW at } -20 \text{ dBFS}$	-	63.8	-	61.7	dBc
		$F_{IN} = 6.9 \text{ GHz}$	-	74.8	-	74.1	dBc
		$F_{IN} = 6.9 \text{ GHz, CW at } -10 \text{ dBFS}$	-	73.3	-	71.5	dBc
$F_{IN} = 6.9 \text{ GHz, CW at } -20 \text{ dBFS}$	-	63.7	-	61.5	dBc		
HD2	Second-order harmonic distortion <sup>4</sup>	$F_{IN} = 240 \text{ MHz}$	-	-79.7	-	-82.7	dBc
		$F_{IN} = 1.9 \text{ GHz}$	-	-65.0	-	-63.6	dBc
		$F_{IN} = 2.4 \text{ GHz}$	-	-62.2	-	-60.0	dBc
		$F_{IN} = 3.5 \text{ GHz}$	-	-57.3	-	-54.7	dBc
		$F_{IN} = 3.5 \text{ GHz, CW at } -10 \text{ dBFS}$	-	-66.4	-	-63.6	dBc
		$F_{IN} = 3.5 \text{ GHz, CW at } -20 \text{ dBFS}$	-	-75.2	-	-74.0	dBc
		$F_{IN} = 4.9 \text{ GHz}$	-	-50.5	-	-48.1	dBc
		$F_{IN} = 4.9 \text{ GHz, CW at } -10 \text{ dBFS}$	-	-59.5	-	-57.1	dBc
		$F_{IN} = 4.9 \text{ GHz, CW at } -20 \text{ dBFS}$	-	-69.1	-	-67.2	dBc
		$F_{IN} = 5.9 \text{ GHz}$	-	-47.6	-	-45.8	dBc
		$F_{IN} = 5.9 \text{ GHz, CW at } -10 \text{ dBFS}$	-	-56.5	-	-54.6	dBc
		$F_{IN} = 5.9 \text{ GHz, CW at } -20 \text{ dBFS}$	-	-66.9	-	-64.7	dBc
		$F_{IN} = 6.9 \text{ GHz}$	-	-48.2	-	-46.2	dBc
		$F_{IN} = 6.9 \text{ GHz, CW at } -10 \text{ dBFS}$	-	-57.0	-	-55.0	dBc
$F_{IN} = 6.9 \text{ GHz, CW at } -20 \text{ dBFS}$	-	-67.0	-	-65.3	dBc		

Table 124: RF-ADC Quad ADC Tile Performance Characteristics for ZU6xDR Devices (cont'd)

Symbol	Parameter	Comments/Conditions	RF-DSA Attenuation				Units
			0 dB		10 dB		
			Min	Typ <sup>1,2</sup>	Max	Typ <sup>1,2</sup>	
HD3	Third-order harmonic distortion	F <sub>IN</sub> = 240 MHz	-	-76.7	-	-74.2	dBc
		F <sub>IN</sub> = 1.9 GHz	-	-66.2	-	-62.6	dBc
		F <sub>IN</sub> = 2.4 GHz	-	-70.9	-	-65.6	dBc
		F <sub>IN</sub> = 3.5 GHz	-	-71.3	-	-74.0	dBc
		F <sub>IN</sub> = 3.5 GHz, CW at -10 dBFS (E/I speed grade)	-	-82.2	-	-82.8	dBc
		F <sub>IN</sub> = 3.5 GHz, CW at -10 dBFS (M speed grade)	-	-82.2	-	-82.8	dBc
		F <sub>IN</sub> = 3.5 GHz, CW at -20 dBFS	-	-82.5	-	-82.5	dBc
		F <sub>IN</sub> = 4.9 GHz	-	-61.2	-	-61.3	dBc
		F <sub>IN</sub> = 4.9 GHz at -10 dBFS (E/I speed grade)	-	-79.7	-	-79.6	dBc
		F <sub>IN</sub> = 4.9 GHz at -10 dBFS (M speed grade)	-	-79.7	-	-79.6	dBc
		F <sub>IN</sub> = 4.9 GHz at -20 dBFS	-	-80.9	-	-81.2	dBc
		F <sub>IN</sub> = 5.9 GHz	-	-54.4	-	-54.8	dBc
		F <sub>IN</sub> = 5.9 GHz, CW at -10 dBFS	-	-72.8	-	-73.0	dBc
		F <sub>IN</sub> = 5.9 GHz, CW at -20 dBFS	-	-80.8	-	-80.6	dBc
		F <sub>IN</sub> = 6.9 GHz	-	-49.9	-	-50.0	dBc
		F <sub>IN</sub> = 6.9 GHz, CW at -10 dBFS	-	-67.6	-	-67.3	dBc
F <sub>IN</sub> = 6.9 GHz, CW at -20 dBFS	-	-80.1	-	-80.9	dBc		

Table 124: RF-ADC Quad ADC Tile Performance Characteristics for ZU6xDR Devices (cont'd)

Symbol	Parameter	Comments/Conditions	RF-DSA Attenuation				Units
			0 dB		10 dB		
			Min	Typ <sup>1, 2</sup>	Max	Typ <sup>1, 2</sup>	
IM3	Two-tone (F1, F2) third-order intermodulation distortion	$F_{IN} = 240$ MHz center frequency, $F_1$ , $F_2$ at -7 dBFS and 20 MHz delta	-	-82.0	-	-77.3	dBc
		$F_{IN} = 1.9$ GHz center frequency, $F_1$ , $F_2$ at -7 dBFS and 20 MHz delta	-	-71.1	-	-67.7	dBc
		$F_{IN} = 2.4$ GHz center frequency, $F_1$ , $F_2$ at -7 dBFS and 20 MHz delta	-	-69.8	-	-66.3	dBc
		$F_{IN} = 3.5$ GHz center frequency, $F_1$ , $F_2$ at -7 dBFS and 20 MHz delta (E/I speed grade)	-	-69.1	-	-68.8	dBc
		$F_{IN} = 3.5$ GHz center frequency, $F_1$ , $F_2$ at -7 dBFS and 20 MHz delta (M speed grade)	-	-69.1	-	-68.8	dBc
		$F_{IN} = 3.5$ GHz center frequency, $F_1$ , $F_2$ at -9 dBFS and 20 MHz delta	-	-73.4	-	-73.2	dBc
		$F_{IN} = 3.5$ GHz center frequency, $F_1$ , $F_2$ at -16 dBFS and 20 MHz delta	-	-79.5	-	-79.5	dBc
		$F_{IN} = 4.9$ GHz center frequency, $F_1$ , $F_2$ at -7 dBFS and 20 MHz delta (E/I speed grade)	-	-62.5	-	-58.0	dBc
		$F_{IN} = 4.9$ GHz center frequency, $F_1$ , $F_2$ at -7 dBFS and 20 MHz delta (M speed grade)	-	-62.5	-	-58.0	dBc
		$F_{IN} = 4.9$ GHz center frequency, $F_1$ , $F_2$ at -16 dBFS and 20 MHz delta (E/I speed grade)	-	-77.7	-	-77.1	dBc
		$F_{IN} = 4.9$ GHz center frequency, $F_1$ , $F_2$ at -16 dBFS and 20 MHz delta (M speed grade)	-	-77.7	-	-77.1	dBc
		$F_{IN} = 5.9$ GHz center frequency, $F_1$ , $F_2$ at -7 dBFS and 20 MHz delta	-	-55.9	-	-54.7	dBc
		$F_{IN} = 5.9$ GHz center frequency, $F_1$ , $F_2$ at -16 dBFS and 20 MHz delta (E/I speed grade)	-	-72.9	-	-73.0	dBc
		$F_{IN} = 5.9$ GHz center frequency, $F_1$ , $F_2$ at -16 dBFS and 20 MHz delta (M speed grade)	-	-72.9	-	-73.0	dBc
		$F_{IN} = 6.9$ GHz center frequency, $F_1$ , $F_2$ at -7 dBFS and 20 MHz delta	-	-50.6	-	-44.1	dBc
$F_{IN} = 6.9$ GHz center frequency, $F_1$ , $F_2$ at -16 dBFS and 20 MHz delta	-	-68.7	-	-68.2	dBc		

Table 124: RF-ADC Quad ADC Tile Performance Characteristics for ZU6xDR Devices (cont'd)

Symbol	Parameter	Comments/Conditions	RF-DSA Attenuation				Units
			0 dB		10 dB		
			Min	Typ <sup>1, 2</sup>	Max	Typ <sup>1, 2</sup>	
GTIS	Gain/time interleaving spur at $K \times F_S/N \pm F_{IN}$ , where $N = 4$ and $K = 0, 1, 2, \dots N$	$F_{IN} = 240$ MHz	-	-97.2	-	-94.9	dBc
		$F_{IN} = 1.9$ GHz	-	-89.5	-	-90.0	dBc
		$F_{IN} = 2.4$ GHz	-	-87.9	-	-87.7	dBc
		$F_{IN} = 3.5$ GHz	-	-84.9	-	-84.8	dBc
		$F_{IN} = 3.5$ GHz, CW at -10 dBFS	-	-84.1	-	-84.2	dBc
		$F_{IN} = 3.5$ GHz, CW at -20 dBFS	-	-77.8	-	-77.9	dBc
		$F_{IN} = 4.9$ GHz	-	-81.8	-	-81.6	dBc
		$F_{IN} = 4.9$ GHz, CW at -10 dBFS	-	-81.6	-	-81.5	dBc
		$F_{IN} = 4.9$ GHz, CW at -20 dBFS	-	-77.5	-	-77.6	dBc
		$F_{IN} = 5.9$ GHz	-	-80.2	-	-80.1	dBc
		$F_{IN} = 5.9$ GHz, CW at -10 dBFS	-	-80.0	-	-79.6	dBc
		$F_{IN} = 5.9$ GHz, CW at -20 dBFS	-	-76.4	-	-76.3	dBc
		$F_{IN} = 6.9$ GHz	-	-77.7	-	-78.3	dBc
		$F_{IN} = 6.9$ GHz, CW at -10 dBFS	-	-78.8	-	-79.1	dBc
$F_{IN} = 6.9$ GHz, CW at -20 dBFS	-	-75.7	-	-75.6	dBc		
OIS	Offset interleaving spur at $K \times F_S/N$ , where $N = 4$ and $K = 0, 1, 2, \dots N$	$F_{IN} = 240$ MHz	-	-84.3	-	-82.3	dBFS
		$F_{IN} = 1.9$ GHz	-	-84.7	-	-82.1	dBFS
		$F_{IN} = 2.4$ GHz	-	-84.3	-	-81.2	dBFS
		$F_{IN} = 3.5$ GHz	-	-84.4	-	-81.0	dBFS
		$F_{IN} = 3.5$ GHz, CW at -10 dBFS	-	-85.0	-	-82.5	dBFS
		$F_{IN} = 3.5$ GHz, CW at -20 dBFS	-	-84.6	-	-81.9	dBFS
		$F_{IN} = 4.9$ GHz	-	-82.6	-	-80.7	dBFS
		$F_{IN} = 4.9$ GHz, CW at -10 dBFS	-	-84.7	-	-82.6	dBFS
		$F_{IN} = 4.9$ GHz, CW at -20 dBFS	-	-84.3	-	-82.3	dBFS
		$F_{IN} = 5.9$ GHz	-	-82.3	-	-79.6	dBFS
		$F_{IN} = 5.9$ GHz, CW at -10 dBFS	-	-85.0	-	-82.2	dBFS
		$F_{IN} = 5.9$ GHz, CW at -20 dBFS	-	-84.9	-	-82.1	dBFS
		$F_{IN} = 6.9$ GHz	-	-82.4	-	-78.4	dBFS
		$F_{IN} = 6.9$ GHz, CW at -10 dBFS	-	-85.1	-	-82.0	dBFS
$F_{IN} = 6.9$ GHz, CW at -20 dBFS	-	-84.8	-	-81.9	dBFS		

**Notes:**

1. RF-ADC sampling rate is 2.95 GS/s using external sampling clock and ADC analog inputs at -1 dBFS, unless otherwise noted in the test conditions. ADC calibration mode is set to AutoCal mode. The ADC tiles are characterized using the on-chip clock forwarding configuration, except when mentioned in the parameter condition column.
2. Typical values are specified at nominal voltage,  $T_j = 40^\circ\text{C}$ .
3. See *Zynq UltraScale+ RFSoc RF Data Converter LogiCORE IP Product Guide (PG269)* for internal PLL information.
4. HD2 measurement is heavily influenced by the intrinsic phase imbalance (P to N skew) presented at the ADC inputs from the test setup such as balun skew, cabling skew, and PCB skew. Results presented include systematic skews of the testing environment.

Table 125: RF-ADC Dual ADC Tile Performance Characteristics for ZU2xDR Devices

Symbol	Parameter	Comments/Conditions	Min	Typ <sup>1,2</sup>	Max	Units
ACLR	Adjacent channel leakage ratio using 64QAM modulation, PAR = 6.5 dB	$F_{IN} = 3.5$ GHz at full scale. Bandwidth = 18 MHz	-	-67	-	dBc
		$F_{IN} = 3.5$ GHz at -10 dBFS. Bandwidth = 18 MHz	-	-62	-61	dBc
	Adjacent channel leakage ratio using 64QAM modulation, PAR = 6.5 dB, using internal PLL to sample RF-ADC with $F_{REF} = 250$ MHz	$F_{IN} = 3.5$ GHz at full scale. Bandwidth = 18 MHz	-	-63	-	dBc
		$F_{IN} = 3.5$ GHz at -10 dBFS. Bandwidth = 18 MHz	-	-60	-	dBc
NSD	Noise spectral density averaged across the first Nyquist zone	Input at -35 dBFS (noise floor)	-	-153	-151	dBFS/Hz
		$F_{IN} = 240$ MHz	-	-152	-151	dBFS/Hz
		$F_{IN} = 1.9$ GHz	-	-151	-	dBFS/Hz
		$F_{IN} = 2.4$ GHz	-	-150	-	dBFS/Hz
		$F_{IN} = 3.5$ GHz	-	-148	-146	dBFS/Hz
		$F_{IN} = 3.5$ GHz, CW at -10 dBFS	-	-153	-150	dBFS/Hz
		$F_{IN} = 3.5$ GHz, CW at -20 dBFS	-	-153	-	dBFS/Hz
	Noise spectral density averaged across the first Nyquist zone using internal PLL to sample RF-ADC with $F_{REF} = 250$ MHz	Input at -35 dBFS (noise floor)	-	-153	-	dBFS/Hz
		$F_{IN} = 240$ MHz	-	-153	-	dBFS/Hz
		$F_{IN} = 1.9$ GHz	-	-151	-	dBFS/Hz
		$F_{IN} = 2.4$ GHz	-	-150	-	dBFS/Hz
		$F_{IN} = 3.5$ GHz	-	-148	-	dBFS/Hz
		$F_{IN} = 3.5$ GHz, CW at -10 dBFS	-	-153	-	dBFS/Hz
		$F_{IN} = 3.5$ GHz, CW at -20 dBFS	-	-153	-	dBFS/Hz
SFDR	Spurious free dynamic range excluding second- and third-order harmonic distortion.	$F_{IN} = 240$ MHz	78	86	-	dBc
		$F_{IN} = 1.9$ GHz	-	83	-	dBc
		$F_{IN} = 2.4$ GHz	-	78	-	dBc
		$F_{IN} = 3.5$ GHz	64	72	-	dBc
		$F_{IN} = 3.5$ GHz, CW at -10 dBFS	70	78	-	dBc
		$F_{IN} = 3.5$ GHz, CW at -20 dBFS	-	70	-	dBc
HD2	Second-order harmonic distortion	$F_{IN} = 240$ MHz	-	-70	-	dBc
		$F_{IN} = 1.9$ GHz	-	-66	-	dBc
		$F_{IN} = 2.4$ GHz	-	-65	-	dBc
		$F_{IN} = 3.5$ GHz	-	-63	-	dBc
		$F_{IN} = 3.5$ GHz, CW at -10 dBFS	-	-70	-	dBc
		$F_{IN} = 3.5$ GHz, CW at -20 dBFS	-	-78	-	dBc
HD3	Third-order harmonic distortion	$F_{IN} = 240$ MHz	-	-72	-63	dBc
		$F_{IN} = 1.9$ GHz	-	-61	-	dBc
		$F_{IN} = 2.4$ GHz	-	-62	-	dBc
		$F_{IN} = 2.4$ GHz at -2 dBFS	-	-65	-	dBc
		$F_{IN} = 2.4$ GHz at -3 dBFS	-	-67	-	dBc
		$F_{IN} = 3.5$ GHz	-	-63	-58	dBc
		$F_{IN} = 3.5$ GHz at -2 dBFS	-	-64	-	dBc
		$F_{IN} = 3.5$ GHz at -3 dBFS	-	-65	-	dBc
		$F_{IN} = 3.5$ GHz, CW at -10 dBFS	-	-77	-67	dBc
		$F_{IN} = 3.5$ GHz, CW at -20 dBFS	-	-81	-	dBc

Table 125: RF-ADC Dual ADC Tile Performance Characteristics for ZU2xDR Devices (cont'd)

Symbol	Parameter	Comments/Conditions	Min	Typ <sup>1,2</sup>	Max	Units
IM3	Two-tone, third-order intermodulation distortion	$F_{IN} = 240$ MHz center frequency $F_1, F_2$ at $-7$ dBFS and 20 MHz delta	-	-70	-66	dBc
		$F_{IN} = 1.9$ GHz center frequency $F_1, F_2$ at $-7$ dBFS and 20 MHz delta	-	-67	-	dBc
		$F_{IN} = 2.4$ GHz center frequency $F_1, F_2$ at $-7$ dBFS and 20 MHz delta	-	-63	-	dBc
		$F_{IN} = 3.5$ GHz center frequency $F_1, F_2$ at $-7$ dBFS and 20 MHz delta	-	-58	-55	dBc
		$F_{IN} = 3.5$ GHz center frequency $F_1, F_2$ at $-8$ dBFS and 20 MHz delta	-	-62	-	dBc
		$F_{IN} = 3.5$ GHz center frequency $F_1, F_2$ at $-9$ dBFS and 20 MHz delta	-	-65	-	dBc
		$F_{IN} = 3.5$ GHz center frequency $F_1, F_2$ at $-16$ dBFS and 20 MHz delta	-	-74	-67	dBc
		$F_{IN} = 3.5$ GHz center frequency $F_1, F_2$ at $-26$ dBFS and 20 MHz delta	-	-76	-	dBc
GTIS	Gain/time interleaving spur at $K * F_S/N \pm F_{IN}$ , where $N = 8$ and $K = 0, 1, 2, \dots N$	$F_{IN} = 240$ MHz	-	-81	-73	dBc
		$F_{IN} = 1.9$ GHz	-	-80	-	dBc
		$F_{IN} = 2.4$ GHz	-	-80	-	dBc
		$F_{IN} = 3.5$ GHz	-	-79	-70	dBc
		$F_{IN} = 3.5$ GHz, CW at $-10$ dBFS	-	-78	-70	dBc
		$F_{IN} = 3.5$ GHz, CW at $-20$ dBFS	-	-74	-	dBc
OIS	Offset interleaving spur at $K * F_S/N$ , where $N = 8$ and $K = 0, 1, 2, \dots N$	$F_{IN} = 240$ MHz	-	-91	-86	dBFS
		$F_{IN} = 1.9$ GHz	-	-91	-	dBFS
		$F_{IN} = 2.4$ GHz	-	-91	-	dBFS
		$F_{IN} = 3.5$ GHz	-	-91	-86	dBFS
		$F_{IN} = 3.5$ GHz, CW at $-10$ dBFS	-	-91	-86	dBFS
		$F_{IN} = 3.5$ GHz, CW at $-20$ dBFS	-	-91	-	dBFS

**Notes:**

- RF-ADC sampling rate is 4 GS/s using external sampling clock and ADC analog inputs at  $-1$  dBFS, unless otherwise noted in the test conditions. ADC calibration mode is set using the guidance in the *Zynq UltraScale+ RFSoc RF Data Converter LogiCORE IP Product Guide* (PG269).
- Typical values are specified at nominal voltage,  $T_j = 40^\circ\text{C}$ .



**Table 126: RF-ADC Dual ADC Tile Performance Characteristics for ZU4xDR Devices (ACLR Only)**

Symbol	Parameter	Comments/Conditions	RF-DSA Attenuation				Units
			0 dB		5 dB		
			Min	Typ <sup>1, 2</sup>	Max	Typ <sup>1, 2</sup>	
ACLR <sup>3</sup>	Adjacent channel leakage ratio using 64QAM modulation, PAR = 6.5 dB, measured with external sampling clock forwarded between tiles	F <sub>IN</sub> = 3.5 GHz at full-scale Bandwidth = 18 MHz	-	-65.0	-	-63.0	dBc
		F <sub>IN</sub> = 3.5 GHz, Carrier at -10 dBFS, Bandwidth = 18 MHz	-	-63.0	-59.4	-63.0	dBc
		F <sub>IN</sub> = 4.9 GHz at full-scale Bandwidth = 18 MHz	-	-63.0	-	-58.0	dBc
		F <sub>IN</sub> = 4.9 GHz, Carrier at -10 dBFS, Bandwidth = 18 MHz	-	-63.0	-59.1	-63.0	dBc
		F <sub>IN</sub> = 5.9 GHz at full-scale Bandwidth = 18 MHz	-	-60.0	-	-56.0	dBc
		F <sub>IN</sub> = 5.9 GHz, Carrier at -10 dBFS, Bandwidth = 18 MHz	-	-62.0	-58.8	-61.0	dBc
	Adjacent channel leakage ratio with F <sub>REF</sub> = 500 MHz <sup>4</sup> measured with sampling clock generated from internal RF PLL and forwarded between tiles	F <sub>IN</sub> = 3.5 GHz at full-scale Bandwidth = 18 MHz	-	-63.0	-	-63.0	dBc
		F <sub>IN</sub> = 3.5 GHz, Carrier at -10 dBFS, Bandwidth = 18 MHz	-	-62.5	-58.5	-62.5	dBc
		F <sub>IN</sub> = 4.9 GHz at full-scale Bandwidth = 18 MHz	-	-61.0	-	-58.0	dBc
		F <sub>IN</sub> = 4.9 GHz, Carrier at -10 dBFS, Bandwidth = 18 MHz	-	-61.5	-57.9	-61.5	dBc
		F <sub>IN</sub> = 5.9 GHz at full-scale Bandwidth = 18 MHz	-	-59.0	-	-56.0	dBc
		F <sub>IN</sub> = 5.9 GHz, Carrier at -10 dBFS, Bandwidth = 18 MHz	-	-60.0	-57.4	-60.0	dBc

**Notes:**

1. RF-ADC sampling rate is 5.0 GS/s using external sampling clock and ADC analog inputs at -1 dBFS, unless otherwise noted in the test conditions. ADC calibration mode is set to AutoCal mode. The ADC tiles are characterized using the on-chip clock forwarding configuration from tile 2 (bank 226), except when mentioned in the parameter condition column.
2. Typical values are specified at nominal voltage, T<sub>j</sub> = 40°C.
3. Results showing poorer ACLR performance at higher input power than -10 dBFS back off point are limited by linearity of the vector signal generator source.
4. See *Zynq UltraScale+ RFSoc RF Data Converter LogiCORE IP Product Guide (PG269)* for internal PLL information.

Table 127: RF-ADC Dual ADC Tile Performance Characteristics for ZU4xDR Devices

Symbol	Parameter	Comments/Conditions	RF-DSA Attenuation				Units
			0 dB		10 dB		
			Min	Typ <sup>1,2</sup>	Max	Typ <sup>1,2</sup>	
NSD	Noise spectral density averaged across the first Nyquist zone, measured with external sampling clock forwarded between tiles	Input at -35 dBFS (noise floor)	-	-154.0	-	-154.0	dBFS/Hz
		F <sub>IN</sub> = 240 MHz	-	-154.0	-150.4	-154.0	dBFS/Hz
		F <sub>IN</sub> = 1.9 GHz	-	-152.5	-	-152.5	dBFS/Hz
		F <sub>IN</sub> = 2.4 GHz	-	-152.0	-150.1	-152.0	dBFS/Hz
		F <sub>IN</sub> = 3.5 GHz	-	-151.0	-148.3	-151.0	dBFS/Hz
		F <sub>IN</sub> = 3.5 GHz, CW at -10 dBFS	-	-153.0	-151.5	-153.0	dBFS/Hz
		F <sub>IN</sub> = 4.9 GHz	-	-149.0	-146.9	-148.5	dBFS/Hz
		F <sub>IN</sub> = 4.9 GHz, CW at -10 dBFS	-	-153.0	-151.3	-153.0	dBFS/Hz
		F <sub>IN</sub> = 5.9 GHz	-	-147.0	-144.9	-147.0	dBFS/Hz
	F <sub>IN</sub> = 5.9 GHz, CW at -10 dBFS	-	-152.0	-150.5	-152.0	dBFS/Hz	
	Noise spectral density with F <sub>REF</sub> = 500 MHz, <sup>3</sup> measured with sampling clock generated from internal RF PLL and forwarded between tiles.	Input at -35 dBFS (noise floor)	-	-154.0	-	-154.0	dBFS/Hz
		F <sub>IN</sub> = 240 MHz	-	-154.0	-151.0	-154.0	dBFS/Hz
		F <sub>IN</sub> = 1.9 GHz	-	-151.0	-	-151.0	dBFS/Hz
		F <sub>IN</sub> = 2.4 GHz	-	-150.0	-148.0	-150.0	dBFS/Hz
		F <sub>IN</sub> = 3.5 GHz	-	-149.0	-146.0	-149.0	dBFS/Hz
		F <sub>IN</sub> = 3.5 GHz, CW at -10 dBFS	-	-153.5	-150.0	-153.5	dBFS/Hz
		F <sub>IN</sub> = 3.5 GHz, CW at -20 dBFS	-	-155.0	-	-155.0	dBFS/Hz
		F <sub>IN</sub> = 4.9 GHz	-	-147.0	-144.0	-147.0	dBFS/Hz
		F <sub>IN</sub> = 4.9 GHz, CW at -10 dBFS	-	-153.0	-150.0	-153.0	dBFS/Hz
		F <sub>IN</sub> = 4.9 GHz, CW at -20 dBFS	-	-155.0	-	-155.0	dBFS/Hz
F <sub>IN</sub> = 5.9 GHz		-	-145.0	-142.0	-145.0	dBFS/Hz	
F <sub>IN</sub> = 5.9 GHz, CW at -10 dBFS	-	-152.0	-149.0	-152.0	dBFS/Hz		
F <sub>IN</sub> = 5.9 GHz, CW at -20 dBFS	-	-154.0	-	-155.0	dBFS/Hz		
SFDR	Spurious free dynamic range excluding second- and third-order harmonic distortion, and including OIS and GTIS spurs	F <sub>IN</sub> = 240 MHz	70.0	84.0	-	84.0	dBc
		F <sub>IN</sub> = 1.9 GHz	-	84.0	-	84.0	dBc
		F <sub>IN</sub> = 2.4 GHz	-	83.5	-	83.5	dBc
		F <sub>IN</sub> = 3.5 GHz	74.0	82.0	-	82.0	dBc
		F <sub>IN</sub> = 3.5 GHz, CW at -10 dBFS	67.0	75.0	-	75.0	dBc
		F <sub>IN</sub> = 3.5 GHz, CW at -20 dBFS	-	66.0	-	66.0	dBc
		F <sub>IN</sub> = 4.9 GHz	71.0	80.0	-	72.0	dBc
		F <sub>IN</sub> = 4.9 GHz, CW at -10 dBFS	67.0	75.0	-	75.0	dBc
		F <sub>IN</sub> = 4.9 GHz, CW at -20 dBFS	-	65.0	-	65.0	dBc
		F <sub>IN</sub> = 5.9 GHz	68.0	77.0	-	67.0	dBc
		F <sub>IN</sub> = 5.9 GHz, CW at -10 dBFS	68.0	75.0	-	74.5	dBc
F <sub>IN</sub> = 5.9 GHz, CW at -20 dBFS	-	65.0	-	65.0	dBc		

Table 127: RF-ADC Dual ADC Tile Performance Characteristics for ZU4xDR Devices (cont'd)

Symbol	Parameter	Comments/Conditions	RF-DSA Attenuation				Units
			0 dB			10 dB	
			Min	Typ <sup>1, 2</sup>	Max	Typ <sup>1, 2</sup>	
HD2	Second-order harmonic distortion <sup>4</sup>	F <sub>IN</sub> = 240 MHz	-	-87.0	-	-85.0	dBc
		F <sub>IN</sub> = 1.9 GHz	-	-71.0	-	-70.0	dBc
		F <sub>IN</sub> = 2.4 GHz	-	-67.0	-	-65.0	dBc
		F <sub>IN</sub> = 3.5 GHz	-	-59.0	-	-57.0	dBc
		F <sub>IN</sub> = 3.5 GHz, CW at -2 dBFS	-	-60.0	-	-58.0	dBc
		F <sub>IN</sub> = 3.5 GHz, CW at -3 dBFS	-	-62.0	-	-59.0	dBc
		F <sub>IN</sub> = 3.5 GHz, CW at -10 dBFS	-	-68.0	-	-66.0	dBc
		F <sub>IN</sub> = 3.5 GHz, CW at -20 dBFS	-	-77.0	-	-74.0	dBc
		F <sub>IN</sub> = 4.9 GHz	-	-56.0	-	-52.0	dBc
		F <sub>IN</sub> = 4.9 GHz, CW at -2 dBFS	-	-57.0	-	-53.0	dBc
		F <sub>IN</sub> = 4.9 GHz, CW at -3 dBFS	-	-57.0	-	-54.0	dBc
		F <sub>IN</sub> = 4.9 GHz, CW at -10 dBFS	-	-65.0	-	-61.0	dBc
		F <sub>IN</sub> = 4.9 GHz, CW at -20 dBFS	-	-74.0	-	-71.0	dBc
		F <sub>IN</sub> = 5.9 GHz	-	-52.0	-	-47.0	dBc
F <sub>IN</sub> = 5.9 GHz, CW at -10 dBFS	-	-61.0	-	-56.0	dBc		
F <sub>IN</sub> = 5.9 GHz, CW at -20 dBFS	-	-71.0	-	-66.0	dBc		
HD3	Third-order harmonic distortion	F <sub>IN</sub> = 240 MHz	-	-77.0	-67.0	-76.0	dBc
		F <sub>IN</sub> = 1.9 GHz	-	-65.0	-	-62.0	dBc
		F <sub>IN</sub> = 2.4 GHz	-	-65.0	-	-62.0	dBc
		F <sub>IN</sub> = 3.5 GHz	-	-71.0	-	-67.0	dBc
		F <sub>IN</sub> = 3.5 GHz, CW at -2 dBFS	-	-73.0	-	-69.0	dBc
		F <sub>IN</sub> = 3.5 GHz, CW at -3 dBFS	-	-76.0	-	-72.0	dBc
		F <sub>IN</sub> = 3.5 GHz, CW at -10 dBFS (E/I speed grade)	-	-85.0	-70.0	-84.0	dBc
		F <sub>IN</sub> = 3.5 GHz, CW at -10 dBFS (M speed grade)	-	-85.0	-60.0	-84.0	dBc
		F <sub>IN</sub> = 3.5 GHz, CW at -20 dBFS	-	-82.0	-	-81.0	dBc
		F <sub>IN</sub> = 4.9 GHz	-	-69.0	-	-72.0	dBc
		F <sub>IN</sub> = 4.9 GHz, CW at -2 dBFS	-	-70.0	-	-73.0	dBc
		F <sub>IN</sub> = 4.9 GHz, CW at -3 dBFS	-	-72.0	-	-75.0	dBc
		F <sub>IN</sub> = 4.9 GHz at -10 dBFS (E/I speed grade)	-	-83.0	-67.0	-82.0	dBc
		F <sub>IN</sub> = 4.9 GHz at -10 dBFS (M speed grade)	-	-83.0	-60.0	-82.0	dBc
		F <sub>IN</sub> = 4.9 GHz at -20 dBFS	-	-82.0	-	-83.0	dBc
		F <sub>IN</sub> = 5.9 GHz	-	-58.0	-	-58.0	dBc
		F <sub>IN</sub> = 5.9 GHz, CW at -10 dBFS (E/I speed grade)	-	-75.0	-66.0	-75.0	dBc
F <sub>IN</sub> = 5.9 GHz, CW at -10 dBFS (M speed grade)	-	-75.0	-60.0	-75.0	dBc		
F <sub>IN</sub> = 5.9 GHz, CW at -20 dBFS	-	-81.0	-	-81.0	dBc		

Table 127: RF-ADC Dual ADC Tile Performance Characteristics for ZU4xDR Devices (cont'd)

Symbol	Parameter	Comments/Conditions	RF-DSA Attenuation				Units
			0 dB		10 dB		
			Min	Typ <sup>1,2</sup>	Max	Typ <sup>1,2</sup>	
IM3	Two-tone (F <sub>1</sub> , F <sub>2</sub> ) third-order inter-modulation distortion	F <sub>IN</sub> = 240 MHz center frequency, F <sub>1</sub> , F <sub>2</sub> at -7 dBFS and 20 MHz delta	-	-80.0	-72.0	-72.0	dBc
		F <sub>IN</sub> = 1.9 GHz center frequency, F <sub>1</sub> , F <sub>2</sub> at -7 dBFS and 20 MHz delta	-	-75.0	-	-72.0	dBc
		F <sub>IN</sub> = 2.4 GHz center frequency, F <sub>1</sub> , F <sub>2</sub> at -7 dBFS and 20 MHz delta	-	-75.0	-	-69.0	dBc
		F <sub>IN</sub> = 3.5 GHz center frequency, F <sub>1</sub> , F <sub>2</sub> at -7 dBFS and 20 MHz delta	-	-72.0	-64.0	-71.0	dBc
		F <sub>IN</sub> = 3.5 GHz center frequency, F <sub>1</sub> , F <sub>2</sub> at -9 dBFS and 20 MHz delta	-	-76.0	-	-76.0	dBc
		F <sub>IN</sub> = 3.5 GHz center frequency, F <sub>1</sub> , F <sub>2</sub> at -16 dBFS and 20 MHz delta (E/I speed grade)	-	-81.0	-68.0	-80.0	dBc
		F <sub>IN</sub> = 3.5 GHz center frequency, F <sub>1</sub> , F <sub>2</sub> at -16 dBFS and 20 MHz delta (M speed grade)	-	-81.0	-62.0	-80.0	dBc
		F <sub>IN</sub> = 3.5 GHz center frequency, F <sub>1</sub> , F <sub>2</sub> at -26 dBFS and 20 MHz delta	-	-75.0	-	-75.0	dBc
		F <sub>IN</sub> = 4.9 GHz center frequency, F <sub>1</sub> , F <sub>2</sub> at -7 dBFS and 20 MHz delta	-	-66.0	-59.0	-60.0	dBc
		F <sub>IN</sub> = 4.9 GHz center frequency, F <sub>1</sub> , F <sub>2</sub> at -16 dBFS and 20 MHz delta (E/I speed grade)	-	-79.0	-68.0	-79.0	dBc
		F <sub>IN</sub> = 4.9 GHz center frequency, F <sub>1</sub> , F <sub>2</sub> at -16 dBFS and 20 MHz delta (M speed grade)	-	-79.0	-62.0	-79.0	dBc
		F <sub>IN</sub> = 4.9 GHz center frequency, F <sub>1</sub> , F <sub>2</sub> at -26 dBFS and 20 MHz delta	-	-74.0	-	-75.0	dBc
		F <sub>IN</sub> = 5.9 GHz center frequency, F <sub>1</sub> , F <sub>2</sub> at -7 dBFS and 20 MHz delta	-	-62.0	-	-60.0	dBc
		F <sub>IN</sub> = 5.9 GHz center frequency, F <sub>1</sub> , F <sub>2</sub> at -16 dBFS and 20 MHz delta (E/I speed grade)	-	-78.0	-70.0	-78.0	dBc
		F <sub>IN</sub> = 5.9 GHz center frequency, F <sub>1</sub> , F <sub>2</sub> at -16 dBFS and 20 MHz delta (M speed grade)	-	-78.0	-65.0	-78.0	dBc
F <sub>IN</sub> = 5.9 GHz center frequency, F <sub>1</sub> , F <sub>2</sub> at -26 dBFS and 20 MHz delta	-	-75.0	-	-75.0	dBc		

Table 127: RF-ADC Dual ADC Tile Performance Characteristics for ZU4xDR Devices (cont'd)

Symbol	Parameter	Comments/Conditions	RF-DSA Attenuation				Units
			0 dB		10 dB		
			Min	Typ <sup>1, 2</sup>	Max	Typ <sup>1, 2</sup>	
GTIS	Gain/time interleaving spur at $K * F_S/N \pm F_{IN}$ , where $N = 8$ and $K = 0, 1, 2, \dots N$	$F_{IN} = 240$ MHz	-	-92.0	-80.0	-92.0	dBc
		$F_{IN} = 1.9$ GHz	-	-88.0	-	-88.0	dBc
		$F_{IN} = 2.4$ GHz	-	-87.0	-	-87.0	dBc
		$F_{IN} = 3.5$ GHz	-	-84.0	-75.0	-84.0	dBc
		$F_{IN} = 3.5$ GHz, CW at -10 dBFS	-	-83.0	-75.0	-83.0	dBc
		$F_{IN} = 3.5$ GHz, CW at -20 dBFS	-	-76.0	-	-76.0	dBc
		$F_{IN} = 4.9$ GHz	-	-81.0	-	-79.0	dBc
		$F_{IN} = 4.9$ GHz, CW at -10 dBFS	-	-79.0	-72.0	-79.0	dBc
		$F_{IN} = 4.9$ GHz, CW at -20 dBFS	-	-76.0	-	-76.0	dBc
		$F_{IN} = 5.9$ GHz	-	-78.0	-	-78.0	dBc
		$F_{IN} = 5.9$ GHz, CW at -10 dBFS	-	-78.0	-70.0	-78.0	dBc
$F_{IN} = 5.9$ GHz, CW at -20 dBFS	-	-75.0	-	-75.0	dBc		
OIS	Offset interleaving spur at $K * F_S/N$ , where $N = 8$ and $K = 0, 1, 2, \dots N$	$F_{IN} = 240$ MHz	-	-86.0	-77.0	-86.0	dBFS
		$F_{IN} = 1.9$ GHz	-	-86.0	-	-86.0	dBFS
		$F_{IN} = 2.4$ GHz	-	-86.0	-	-86.0	dBFS
		$F_{IN} = 3.5$ GHz	-	-85.0	-76.0	-85.0	dBFS
		$F_{IN} = 3.5$ GHz, CW at -10 dBFS	-	-86.0	-76.0	-86.0	dBFS
		$F_{IN} = 3.5$ GHz, CW at -20 dBFS	-	-86.0	-	-86.0	dBFS
		$F_{IN} = 4.9$ GHz	-	-84.0	-75.0	-84.0	dBFS
		$F_{IN} = 4.9$ GHz, CW at -10 dBFS	-	-86.0	-76.0	-86.0	dBFS
		$F_{IN} = 4.9$ GHz, CW at -20 dBFS	-	-86.0	-	-86.0	dBFS
		$F_{IN} = 5.9$ GHz	-	-82.0	-72.0	-82.0	dBFS
		$F_{IN} = 5.9$ GHz, CW at -10 dBFS	-	-86.0	-76.0	-86.0	dBFS
$F_{IN} = 5.9$ GHz, CW at -20 dBFS	-	-86.0	-	-86.0	dBFS		

**Notes:**

- RF-ADC sampling rate is 5.0 GS/s using external sampling clock and ADC analog inputs at -1 dBFS, unless otherwise noted in the test conditions. ADC calibration mode is set to AutoCal mode. The ADC tiles are characterized using the on-chip clock forwarding configuration from tile 2 (bank 226), except when mentioned in the parameter condition column.
- Typical values are specified at nominal voltage,  $T_j = 40^\circ\text{C}$ .
- See *Zynq UltraScale+ RFSoc RF Data Converter LogiCORE IP Product Guide (PG269)* for internal PLL information.
- HD2 measurement is heavily influenced by the intrinsic phase imbalance (P to N skew) presented at the ADC inputs from the test setup such as balun skew, cabling skew, and PCB skew. Results presented include systematic skews of the testing environment.

Table 128: RF-ADC Dual ADC Tile Performance Characteristics for ZU6xDR Devices (ACLR Only)

Symbol	Parameter	Comments/Conditions	RF-DSA Attenuation				Units
			0 dB		5 dB		
			Min	Typ <sup>1, 2</sup>	Max	Typ <sup>1, 2</sup>	
ACLR <sup>3</sup>	Adjacent channel leakage ratio using 64QAM modulation, PAR = 6.5 dB, measured with external sampling clock forwarded between tiles	F <sub>IN</sub> = 3.5 GHz at full-scale Bandwidth = 18 MHz	-	-63.0	-	-61.5	dBc
		F <sub>IN</sub> = 3.5 GHz, Carrier at -10 dBFS Bandwidth = 18 MHz	-	-62.4	-	-62.5	dBc
		F <sub>IN</sub> = 4.9 GHz at full-scale Bandwidth = 18 MHz	-	-63.2	-	-58.8	dBc
		F <sub>IN</sub> = 4.9 GHz, Carrier at -10 dBFS Bandwidth = 18 MHz	-	-63.4	-	-63.5	dBc
		F <sub>IN</sub> = 5.9 GHz at full-scale Bandwidth = 18 MHz	-	-59.4	-	-55.8	dBc
		F <sub>IN</sub> = 5.9 GHz, Carrier at -10 dBFS Bandwidth = 18 MHz	-	-61.7	-	-61.3	dBc
		F <sub>IN</sub> = 6.9 GHz at full-scale Bandwidth = 18 MHz	-	-58.9	-	-56.2	dBc
		F <sub>IN</sub> = 6.9 GHz, Carrier at -10 dBFS Bandwidth = 18 MHz	-	-62.3	-	-62.1	dBc
	Adjacent channel leakage ratio with F <sub>REF</sub> = 590 MHz <sup>4</sup> measured with sampling clock generated from internal RF PLL and forwarded between tiles	F <sub>IN</sub> = 3.5 GHz at full-scale Bandwidth = 18 MHz	-	-62.3	-	-61.0	dBc
		F <sub>IN</sub> = 3.5 GHz, Carrier at -10 dBFS Bandwidth = 18 MHz	-	-61.8	-	-61.8	dBc
		F <sub>IN</sub> = 4.9 GHz at full-scale Bandwidth = 18 MHz	-	-61.7	-	-58.2	dBc
		F <sub>IN</sub> = 4.9 GHz, Carrier at -10 dBFS Bandwidth = 18 MHz	-	-62.0	-	-62.1	dBc
		F <sub>IN</sub> = 5.9 GHz at full-scale Bandwidth = 18 MHz	-	-58.4	-	-55.4	dBc
		F <sub>IN</sub> = 5.9 GHz, Carrier at -10 dBFS Bandwidth = 18 MHz	-	-60.2	-	-59.9	dBc
F <sub>IN</sub> = 6.9 GHz at full-scale Bandwidth = 18 MHz		-	-57.8	-	-55.6	dBc	
F <sub>IN</sub> = 6.9 GHz, Carrier at -10 dBFS Bandwidth = 18 MHz		-	-60.2	-	-60.1	dBc	

**Notes:**

- RF-ADC sampling rate is 5.9 GS/s (interleaved mode) using external sampling clock and ADC analog inputs at -1 dBFS, unless otherwise noted in the test conditions. ADC calibration mode is set to AutoCal mode. The ADC tiles are characterized using the on-chip clock forwarding configuration, except when mentioned in the parameter condition column.
- Typical values are specified at nominal voltage, T<sub>j</sub> = 40°C.
- Results showing poorer ACLR performance at higher input power than -10 dBFS back off point are limited by linearity of the vector signal generator source.
- See *Zynq UltraScale+ RFSoc RF Data Converter LogiCORE IP Product Guide (PG269)* for internal PLL information.

**Table 129: RF-ADC Dual ADC Tile Performance Characteristics for ZU6xDR Devices**

Symbol	Parameter	Comments/Conditions	RF-DSA Attenuation				Units
			0 dB		10 dB		
			Min	Typ <sup>1,2</sup>	Max	Typ <sup>1,2</sup>	
NSD	Noise spectral density averaged across the first Nyquist zone, measured with external sampling clock forwarded between tiles	Input at -35 dBFS (noise floor)	-	-155.0	-	-155.4	dBFS/Hz
		F <sub>IN</sub> = 240 MHz	-	-154.2	-	-154.0	dBFS/Hz
		F <sub>IN</sub> = 1.9 GHz	-	-153.4	-	-153.7	dBFS/Hz
		F <sub>IN</sub> = 2.4 GHz	-	-152.4	-	-152.6	dBFS/Hz
		F <sub>IN</sub> = 3.5 GHz	-	-151.7	-	-151.9	dBFS/Hz
		F <sub>IN</sub> = 3.5 GHz, CW at -10 dBFS	-	-154.5	-	-154.8	dBFS/Hz
		F <sub>IN</sub> = 4.9 GHz	-	-149.9	-	-149.9	dBFS/Hz
		F <sub>IN</sub> = 4.9 GHz, CW at -10 dBFS	-	-154.1	-	-154.3	dBFS/Hz
		F <sub>IN</sub> = 5.9 GHz	-	-148.2	-	-148.0	dBFS/Hz
		F <sub>IN</sub> = 5.9 GHz, CW at -10 dBFS	-	-153.4	-	-153.6	dBFS/Hz
	F <sub>IN</sub> = 6.9 GHz	-	-147.4	-	-147.8	dBFS/Hz	
	F <sub>IN</sub> = 6.9 GHz, CW at -10 dBFS	-	-153.1	-	-153.3	dBFS/Hz	
	Noise spectral density with F <sub>REF</sub> = 590 MHz <sup>3</sup> , measured with sampling clock generated from internal RF PLL and forwarded between tiles	Input at -35 dBFS (noise floor)	-	-155.0	-	-155.4	dBFS/Hz
		F <sub>IN</sub> = 240 MHz	-	-154.1	-	-154.0	dBFS/Hz
		F <sub>IN</sub> = 1.9 GHz	-	-152.8	-	-153.0	dBFS/Hz
		F <sub>IN</sub> = 2.4 GHz	-	-151.6	-	-151.8	dBFS/Hz
		F <sub>IN</sub> = 3.5 GHz	-	-150.4	-	-150.6	dBFS/Hz
		F <sub>IN</sub> = 3.5 GHz, CW at -10 dBFS	-	-154.2	-	-154.5	dBFS/Hz
		F <sub>IN</sub> = 3.5 GHz, CW at -20 dBFS	-	-155.1	-	-155.5	dBFS/Hz
		F <sub>IN</sub> = 4.9 GHz	-	-148.3	-	-148.4	dBFS/Hz
F <sub>IN</sub> = 4.9 GHz, CW at -10 dBFS		-	-153.5	-	-153.7	dBFS/Hz	
F <sub>IN</sub> = 4.9 GHz, CW at -20 dBFS		-	-155.0	-	-155.3	dBFS/Hz	
F <sub>IN</sub> = 5.9 GHz	-	-146.6	-	-146.4	dBFS/Hz		
F <sub>IN</sub> = 5.9 GHz, CW at -10 dBFS	-	-152.7	-	-152.8	dBFS/Hz		
F <sub>IN</sub> = 5.9 GHz, CW at -20 dBFS	-	-154.8	-	-155.2	dBFS/Hz		
F <sub>IN</sub> = 6.9 GHz	-	-145.7	-	-146.2	dBFS/Hz		
F <sub>IN</sub> = 6.9 GHz, CW at -10 dBFS	-	-152.2	-	-152.4	dBFS/Hz		
F <sub>IN</sub> = 6.9 GHz, CW at -20 dBFS	-	-154.8	-	-155.1	dBFS/Hz		

Table 129: RF-ADC Dual ADC Tile Performance Characteristics for ZU6xDR Devices (cont'd)

Symbol	Parameter	Comments/Conditions	RF-DSA Attenuation				Units
			0 dB		10 dB		
			Min	Typ <sup>1,2</sup>	Max	Typ <sup>1,2</sup>	
SFDR	Spurious free dynamic range excluding second- and third-order harmonic distortion and including OIS & GTIS spurs	$F_{IN} = 240 \text{ MHz}$	-	80.6	-	80.0	dBc
		$F_{IN} = 1.9 \text{ GHz}$	-	81.4	-	81.3	dBc
		$F_{IN} = 2.4 \text{ GHz}$	-	80.9	-	81.1	dBc
		$F_{IN} = 3.5 \text{ GHz}$	-	80.0	-	78.3	dBc
		$F_{IN} = 3.5 \text{ GHz, CW at } -10 \text{ dBFS}$	-	73.1	-	72.8	dBc
		$F_{IN} = 3.5 \text{ GHz, CW at } -20 \text{ dBFS}$	-	62.4	-	62.1	dBc
		$F_{IN} = 4.9 \text{ GHz}$	-	79.0	-	73.2	dBc
		$F_{IN} = 4.9 \text{ GHz, CW at } -10 \text{ dBFS}$	-	72.9	-	72.3	dBc
		$F_{IN} = 4.9 \text{ GHz, CW at } -20 \text{ dBFS}$	-	62.6	-	62.2	dBc
		$F_{IN} = 5.9 \text{ GHz}$	-	77.2	-	68.2	dBc
		$F_{IN} = 5.9 \text{ GHz, CW at } -10 \text{ dBFS}$	-	72.8	-	72.2	dBc
		$F_{IN} = 5.9 \text{ GHz, CW at } -20 \text{ dBFS}$	-	62.6	-	61.9	dBc
		$F_{IN} = 6.9 \text{ GHz}$	-	75.1	-	67.0	dBc
		$F_{IN} = 6.9 \text{ GHz, CW at } -10 \text{ dBFS}$	-	72.9	-	71.9	dBc
$F_{IN} = 6.9 \text{ GHz, CW at } -20 \text{ dBFS}$	-	62.7	-	62.2	dBc		
HD2	Second-order harmonic distortion <sup>4</sup>	$F_{IN} = 240 \text{ MHz}$	-	-90.3	-	-85.1	dBc
		$F_{IN} = 1.9 \text{ GHz}$	-	-70.8	-	-69.1	dBc
		$F_{IN} = 2.4 \text{ GHz}$	-	-67.3	-	-65.7	dBc
		$F_{IN} = 3.5 \text{ GHz}$	-	-59.0	-	-57.1	dBc
		$F_{IN} = 3.5 \text{ GHz, CW at } -10 \text{ dBFS}$	-	-68.0	-	-66.1	dBc
		$F_{IN} = 3.5 \text{ GHz, CW at } -20 \text{ dBFS}$	-	-77.6	-	-75.3	dBc
		$F_{IN} = 4.9 \text{ GHz}$	-	-55.5	-	-53.0	dBc
		$F_{IN} = 4.9 \text{ GHz, CW at } -10 \text{ dBFS}$	-	-64.5	-	-62.0	dBc
		$F_{IN} = 4.9 \text{ GHz, CW at } -20 \text{ dBFS}$	-	-74.3	-	-71.3	dBc
		$F_{IN} = 5.9 \text{ GHz}$	-	-54.0	-	-50.5	dBc
		$F_{IN} = 5.9 \text{ GHz, CW at } -10 \text{ dBFS}$	-	-63.0	-	-59.5	dBc
		$F_{IN} = 5.9 \text{ GHz, CW at } -20 \text{ dBFS}$	-	-72.7	-	-69.6	dBc
		$F_{IN} = 6.9 \text{ GHz}$	-	-57.8	-	-50.2	dBc
		$F_{IN} = 6.9 \text{ GHz, CW at } -10 \text{ dBFS}$	-	-66.9	-	-58.7	dBc
$F_{IN} = 6.9 \text{ GHz, CW at } -20 \text{ dBFS}$	-	-75.2	-	-68.2	dBc		



Table 129: RF-ADC Dual ADC Tile Performance Characteristics for ZU6xDR Devices (cont'd)

Symbol	Parameter	Comments/Conditions	RF-DSA Attenuation				Units
			0 dB		10 dB		
			Min	Typ <sup>1,2</sup>	Max	Typ <sup>1,2</sup>	
HD3	Third-order harmonic distortion	F <sub>IN</sub> = 240 MHz	-	-74.5	-	-69.9	dBc
		F <sub>IN</sub> = 1.9 GHz	-	-63.6	-	-60.6	dBc
		F <sub>IN</sub> = 2.4 GHz	-	-66.2	-	-62.4	dBc
		F <sub>IN</sub> = 3.5 GHz	-	-69.3	-	-65.2	dBc
		F <sub>IN</sub> = 3.5 GHz, CW at -10 dBFS	-	-84.8	-	-83.5	dBc
		F <sub>IN</sub> = 3.5 GHz, CW at -20 dBFS	-	-83.7	-	-84.2	dBc
		F <sub>IN</sub> = 4.9 GHz	-	-73.4	-	-71.8	dBc
		F <sub>IN</sub> = 4.9 GHz at -10 dBFS	-	-85.1	-	-84.7	dBc
		F <sub>IN</sub> = 4.9 GHz at -20 dBFS	-	-82.9	-	-84.8	dBc
		F <sub>IN</sub> = 5.9 GHz	-	-61.4	-	-62.4	dBc
		F <sub>IN</sub> = 5.9 GHz, CW at -10 dBFS	-	-80.3	-	-80.7	dBc
		F <sub>IN</sub> = 5.9 GHz, CW at -20 dBFS	-	-82.6	-	-82.7	dBc
		F <sub>IN</sub> = 6.9 GHz	-	-55.7	-	-56.5	dBc
		F <sub>IN</sub> = 6.9 GHz, CW at -10 dBFS	-	-73.7	-	-73.5	dBc
		F <sub>IN</sub> = 6.9 GHz, CW at -20 dBFS	-	-83.1	-	-83.3	dBc

Table 129: RF-ADC Dual ADC Tile Performance Characteristics for ZU6xDR Devices (cont'd)

Symbol	Parameter	Comments/Conditions	RF-DSA Attenuation				Units
			0 dB		10 dB		
			Min	Typ <sup>1,2</sup>	Max	Typ <sup>1,2</sup>	
IM3	Two-tone (F1, F2) third-order intermodulation distortion	F <sub>IN</sub> = 240 MHz center frequency, F <sub>1</sub> , F <sub>2</sub> at -7 dBFS and 20 MHz delta (E/I speed grade)	-	-78.5	-	-75.1	dBc
		F <sub>IN</sub> = 240 MHz center frequency, F <sub>1</sub> , F <sub>2</sub> at -7 dBFS and 20 MHz delta (M speed grade)	-	-78.5	-	-75.1	dBc
		F <sub>IN</sub> = 1.9 GHz center frequency, F <sub>1</sub> , F <sub>2</sub> at -7 dBFS and 20 MHz delta	-	-70.1	-	-67.1	dBc
		F <sub>IN</sub> = 2.4 GHz center frequency, F <sub>1</sub> , F <sub>2</sub> at -7 dBFS and 20 MHz delta	-	-68.9	-	-65.5	dBc
		F <sub>IN</sub> = 3.5 GHz center frequency, F <sub>1</sub> , F <sub>2</sub> at -7 dBFS and 20 MHz delta (E/I speed grade)	-	-69.9	-	-68.0	dBc
		F <sub>IN</sub> = 3.5 GHz center frequency, F <sub>1</sub> , F <sub>2</sub> at -7 dBFS and 20 MHz delta (M speed grade)	-	-69.9	-	-68.0	dBc
		F <sub>IN</sub> = 3.5 GHz center frequency, F <sub>1</sub> , F <sub>2</sub> at -9 dBFS and 20 MHz delta	-	-74.0	-	-72.3	dBc
		F <sub>IN</sub> = 3.5 GHz center frequency, F <sub>1</sub> , F <sub>2</sub> at -16 dBFS and 20 MHz delta	-	-80.9	-	-80.0	dBc
		F <sub>IN</sub> = 4.9 GHz center frequency, F <sub>1</sub> , F <sub>2</sub> at -7 dBFS and 20 MHz delta (E/I speed grade)	-	-68.4	-	-60.7	dBc
		F <sub>IN</sub> = 4.9 GHz center frequency, F <sub>1</sub> , F <sub>2</sub> at -7 dBFS and 20 MHz delta (M speed grade)	-	-68.4	-	-60.7	dBc
		F <sub>IN</sub> = 4.9 GHz center frequency, F <sub>1</sub> , F <sub>2</sub> at -16 dBFS and 20 MHz delta	-	-81.1	-	-79.9	dBc
		F <sub>IN</sub> = 5.9 GHz center frequency, F <sub>1</sub> , F <sub>2</sub> at -7 dBFS and 20 MHz delta	-	-62.9	-	-56.8	dBc
		F <sub>IN</sub> = 5.9 GHz center frequency, F <sub>1</sub> , F <sub>2</sub> at -16 dBFS and 20 MHz delta (E/I speed grade)	-	-78.5	-	-78.2	dBc
		F <sub>IN</sub> = 5.9 GHz center frequency, F <sub>1</sub> , F <sub>2</sub> at -16 dBFS and 20 MHz delta (M speed grade)	-	-78.5	-	-78.2	dBc
		F <sub>IN</sub> = 6.9 GHz center frequency, F <sub>1</sub> , F <sub>2</sub> at -7 dBFS and 20 MHz delta	-	-57.4	-	-45.6	dBc
F <sub>IN</sub> = 6.9 GHz center frequency, F <sub>1</sub> , F <sub>2</sub> at -16 dBFS and 20 MHz delta	-	-75.0	-	-73.6	dBc		

Table 129: RF-ADC Dual ADC Tile Performance Characteristics for ZU6xDR Devices (cont'd)

Symbol	Parameter	Comments/Conditions	RF-DSA Attenuation				Units
			0 dB		10 dB		
			Min	Typ <sup>1, 2</sup>	Max	Typ <sup>1, 2</sup>	
GTIS	Gain/time interleaving spur at $K \times F_S/N \pm F_{IN}$ , where $N = 8$ and $K = 0, 1, 2, \dots N$	$F_{IN} = 240$ MHz	-	-91.7	-	-88.9	dBc
		$F_{IN} = 1.9$ GHz	-	-88.8	-	-89.2	dBc
		$F_{IN} = 2.4$ GHz	-	-87.7	-	-87.8	dBc
		$F_{IN} = 3.5$ GHz	-	-85.0	-	-84.8	dBc
		$F_{IN} = 3.5$ GHz, CW at -10 dBFS	-	-81.8	-	-81.2	dBc
		$F_{IN} = 3.5$ GHz, CW at -20 dBFS	-	-76.0	-	-76.2	dBc
		$F_{IN} = 4.9$ GHz	-	-81.5	-	-81.3	dBc
		$F_{IN} = 4.9$ GHz, CW at -10 dBFS	-	-81.8	-	-81.5	dBc
		$F_{IN} = 4.9$ GHz, CW at -20 dBFS	-	-76.1	-	-76.2	dBc
		$F_{IN} = 5.9$ GHz	-	-79.7	-	-79.7	dBc
		$F_{IN} = 5.9$ GHz, CW at -10 dBFS	-	-78.9	-	-78.9	dBc
		$F_{IN} = 5.9$ GHz, CW at -20 dBFS	-	-74.9	-	-74.9	dBc
		$F_{IN} = 6.9$ GHz	-	-77.3	-	-77.6	dBc
		$F_{IN} = 6.9$ GHz, CW at -10 dBFS	-	-78.8	-	-78.2	dBc
$F_{IN} = 6.9$ GHz, CW at -20 dBFS	-	-75.2	-	-75.5	dBc		
OIS	Offset interleaving spur at $K \times F_S/N$ , where $N = 8$ and $K = 0, 1, 2, \dots N$	$F_{IN} = 240$ MHz	-	-83.1	-	-81.5	dBFS
		$F_{IN} = 1.9$ GHz	-	-83.3	-	-82.7	dBFS
		$F_{IN} = 2.4$ GHz	-	-83.2	-	-82.5	dBFS
		$F_{IN} = 3.5$ GHz	-	-83.3	-	-82.7	dBFS
		$F_{IN} = 3.5$ GHz, CW at -10 dBFS	-	-83.5	-	-83.1	dBFS
		$F_{IN} = 3.5$ GHz, CW at -20 dBFS	-	-82.5	-	-82.3	dBFS
		$F_{IN} = 4.9$ GHz	-	-82.7	-	-82.1	dBFS
		$F_{IN} = 4.9$ GHz, CW at -10 dBFS	-	-83.2	-	-82.5	dBFS
		$F_{IN} = 4.9$ GHz, CW at -20 dBFS	-	-82.8	-	-82.4	dBFS
		$F_{IN} = 5.9$ GHz	-	-81.3	-	-80.7	dBFS
		$F_{IN} = 5.9$ GHz, CW at -10 dBFS	-	-83.1	-	-82.5	dBFS
		$F_{IN} = 5.9$ GHz, CW at -20 dBFS	-	-82.9	-	-82.1	dBFS
		$F_{IN} = 6.9$ GHz	-	-80.1	-	-79.7	dBFS
		$F_{IN} = 6.9$ GHz, CW at -10 dBFS	-	-83.3	-	-82.6	dBFS
$F_{IN} = 6.9$ GHz, CW at -20 dBFS	-	-83.1	-	-82.4	dBFS		

**Notes:**

1. RF-ADC sampling rate is 5.9 GS/s (interleaved mode) using external sampling clock and ADC analog inputs at -1 dBFS, unless otherwise noted in the test conditions. ADC calibration mode is set to AutoCal mode. The ADC tiles are characterized using the on-chip clock forwarding configuration, except when mentioned in the parameter condition column.
2. Typical values are specified at nominal voltage,  $T_j = 40^\circ\text{C}$ .
3. See *Zynq UltraScale+ RFSoc RF Data Converter LogiCORE IP Product Guide (PG269)* for internal PLL information.
4. HD2 measurement is heavily influenced by the intrinsic phase imbalance (P to N skew) presented at the ADC inputs from the test setup such as balun skew, cabling skew, and PCB skew. Results presented include systematic skews of the testing environment.

# Integrated RF-DAC Block

## RF-DAC Electrical Characteristics

Table 130: RF-DAC Electrical Characteristics for ZU2xDR Devices

Parameter	Comments/Conditions <sup>1</sup>	Min	Typ <sup>2</sup>	Max	Units
<b>Analog Outputs</b>					
Resolution		14	-	-	Bits
Sample Rate		0.5	-	6.554	GS/s
Maximum Output Power	20 mA mode, $V_{DAC\_AVTT} = 2.5V$ , 100 $\Omega$ termination	-	+1	-	dBm
	32 mA mode, $V_{DAC\_AVTT} = 3.0V$ , 100 $\Omega$ termination	-	+5	-	dBm
Analog Bandwidth	Full power bandwidth (-3 dB)	-	4	-	GHz
On-die Termination	Single-ended on-die termination to external 2.5V/3V $V_{DAC\_AVTT}$ <sup>3</sup>	-	50	-	$\Omega$
Crosstalk isolation between channels <sup>4</sup>	$F_{OUT} = 240$ MHz	-	-70	-	dBc
	$F_{OUT} = 1.9$ GHz	-	-70	-	dBc
	$F_{OUT} = 2.4$ GHz	-	-70	-	dBc
	$F_{OUT} = 3.5$ GHz	-	-70	-	dBc

**Notes:**

- RF-DAC sampling rate is 6.554 GS/s using external sampling clock.
- Typical values are specified at nominal voltage,  $T_j = 25^\circ C$ .
- Consult S parameter I/O files for further details on input characteristics.
- Values represent two channel crosstalk worst-case values for any combination of channel selections.

Table 131: RF-DAC Electrical Characteristics for ZU39DR Devices

Parameter	Comments/Conditions <sup>1</sup>	Min	Typ <sup>2</sup>	Max	Units
<b>Analog Outputs</b>					
Resolution		14	-	-	Bits
Sample Rate		0.5	-	6.554	GS/s
Maximum Output Power	20 mA mode, $V_{DAC\_AVTT} = 2.5V$ , 100Ω termination	-	+1	-	dBm
	32 mA mode, $V_{DAC\_AVTT} = 3.0V$ , 100Ω termination	-	4.5	-	dBm
Analog Bandwidth	Full power bandwidth (-3 dB)	-	5	-	GHz
Return Loss ( $R_L$ ) <sup>3</sup>	Up to 4 GHz	-	-10	-	dB
	Up to 5 GHz	-	-8	-	dB
On-die Termination	Single-ended on-die termination to external 2.5V/3V $V_{DAC\_AVTT}$	-	50	-	Ω
Crosstalk isolation between channels <sup>4</sup>	$F_{OUT} = 240$ MHz	-	-70	-	dBc
	$F_{OUT} = 1.9$ GHz	-	-70	-	dBc
	$F_{OUT} = 2.4$ GHz	-	-70	-	dBc
	$F_{OUT} = 3.5$ GHz	-	-70	-	dBc
	$F_{OUT} = 4.2$ GHz	-	-69	-	dBc
	$F_{OUT} = 4.9$ GHz	-	-67	-	dBc

**Notes:**

- RF-DAC sampling rate is 6.554 GS/s using external sampling clock.
- Typical values are specified at nominal voltage,  $T_j = 25^\circ C$ .
- This is the return loss of the worst case channel quoted from DC to a specified frequency point. Consult the S parameter I/O files for further details as input characteristics depend on differential I/O selection. The RL reference plan is closed to the BGA footprint, keeping two times the BGA pitch distance from ball contact to avoid micro-probing electromagnetic disturbance.
- Values represent two channel crosstalk worst-case values for any combination of channel selections.

Table 132: RF-DAC Electrical Characteristics for ZU4xDR Devices

Parameter	Comments/Conditions <sup>1</sup>	Min	Typ <sup>2</sup>	Max	Units
<b>Analog Outputs</b>					
Resolution		14	-	-	Bits
Sample rate <sup>3</sup>	-2E, -2I, -2LI speed grade without clock forwarding, datapath modes 2, 3, and 4	0.5	-	9.85	GS/s
	-2E, -2I, -2LI speed grade with clock forwarding, datapath modes 2, 3, and 4	0.5	-	9.70	GS/s
	-1E, -1I, -1LI, -1M speed grade, datapath modes 2, 3, and 4	0.5	-	8.92	GS/s
	All speed grades, datapath mode 1	0.5	-	7.0	GS/s
Maximum output power	$V_{DAC\_AVTT} = 3.0V$ , 100 $\Omega$ termination, signal frequency <200 MHz	-18.5	-	6.5	dBm
Output current range	AC coupling: $V_{DAC\_AVTT} = 3.0V$ , 100 $\Omega$ termination, signal frequency <200 MHz	2.25	-	40.5	mA
	DC coupling: $V_{DAC\_AVTT} = 3.0V$ , 100 $\Omega$ termination, signal frequency <200 MHz	6.4	-	32	mA
Variable output current step size		-	43.75	-	$\mu A$
Variable output power range Equivalent dynamic range from output current range <sup>4</sup>	At 240 MHz	24	-	-	dB
	At 3500 MHz	20	-	-	dB
	At 4900 MHz	18	-	-	dB
	At 5900 MHz	17	-	-	dB
Analog bandwidth	Full power bandwidth (-3 dB)	-	6	-	GHz
Return loss ( $R_L$ ) <sup>5</sup>	Up to 4 GHz	-	-12	-	dB
	Up to 6 GHz	-	-10	-	dB
On-die termination	Single-ended on-die termination to external 3V $V_{DAC\_AVTT}$	-	50	-	$\Omega$
Crosstalk isolation between channels <sup>6</sup>	$F_{OUT} = 0-4$ GHz	-	-75	-	dBc
	$F_{OUT} = 0-6$ GHz	-	-70	-	dBc

**Notes:**

- RF-DAC sampling rate is the highest rate using external sampling clock.
- Typical values are specified at nominal voltage,  $T_j = 40^\circ C$ .
- See the *Zynq UltraScale+ RFSoc RF Data Converter LogiCORE IP Product Guide (PG269)* for additional information on datapath modes.
- The variable output power effective dynamic range depends on the signal frequency that is shown in the equivalent dynamic range. The specification is supplied for AC coupling mode. A derating of 12 dB is applied for DC coupling mode.
- This is the return loss of the worst case channel quoted from DC to a specified frequency point. Consult the S parameter I/O files for further details as input characteristics depend on channel and package selection. The RL reference plan is closed to the BGA footprint, keeping two times the BGA pitch distance from ball contact to avoid micro-probing electromagnetic disturbance.
- Values represent two channel crosstalk worst-case values for any combination of channel selections. This specification is only characterized on XCZU46DR-H1760.

Table 133: RF-DAC Electrical Characteristics for ZU6xDR Devices

Parameter	Comments/Conditions <sup>1</sup>	Min	Typ <sup>2</sup>	Max	Units
<b>Analog Outputs</b>					
Resolution		14	-	-	Bits
Sample rate <sup>3</sup>	-2I speed grade without clock forwarding, datapath modes 2, 3, and 4	0.5	-	10	GS/s
	-2I speed grade with clock forwarding, datapath modes 2, 3, and 4	0.5	-	9.85	GS/s
	-2LI speed grade without clock forwarding, datapath modes 2, 3, and 4	0.5	-	9.85	GS/s
	-2LI speed grade with clock forwarding, datapath modes 2, 3, and 4	0.5	-	9.70	GS/s
	-1I, -1LI, -1M speed grade, datapath modes 2, 3, and 4	0.5	-	8.92	GS/s
	All speed grades, datapath mode 1	0.5	-	7.0	GS/s
Maximum output power	V <sub>DAC_AVTT</sub> = 3.0V, 100Ω termination, signal frequency <200 MHz	-18.5	-	6.5	dBm
Output current range	AC coupling: V <sub>DAC_AVTT</sub> = 3.0V, 100Ω termination, signal frequency <200 MHz	2.25	-	40.5	mA
	DC coupling: V <sub>DAC_AVTT</sub> = 3.0V, 100Ω termination, signal frequency <200 MHz	6.4	-	32	mA
Variable output current step size		-	43.75	-	μA
Variable output power (VOP) range Equivalent dynamic range from output current range <sup>4</sup>	At 240 MHz	24	-	-	dB
	At 3500 MHz	20	-	-	dB
	At 4900 MHz	18	-	-	dB
	At 5900 MHz	17	-	-	dB
	At 6900 MHz	15.5	-	-	dB
Analog bandwidth	Full power bandwidth (-3 dB)	-	7.125	-	GHz
Return loss (R <sub>L</sub> ) <sup>5</sup>	Up to 4 GHz	-	-12	-	dB
	Up to 7.125 GHz	-	-10	-	dB
On-die Termination	Single-ended on-die termination to external 3V V <sub>DAC_AVTT</sub>		50		Ω
Crosstalk isolation between channels <sup>6</sup>	F <sub>OUT</sub> = 0-4 GHz	-	-69	-	dBc
	F <sub>OUT</sub> = 0-7.125 GHz	-	-63	-	dBc

**Notes:**

- RF-DAC sampling rate is the highest rate using external sampling clock.
- Typical values are specified at nominal voltage, T<sub>j</sub> = 40°C.
- See the *Zynq UltraScale+ RFSoc RF Data Converter LogiCORE IP Product Guide (PG269)* for additional information on datapath modes.
- The variable output power effective dynamic range depends on the signal frequency that is shown in the equivalent dynamic range. The specification is supplied for AC coupling mode. A derating of 12 dB is applied for DC coupling mode.
- This is the return loss of the worst case channel quoted from DC to a specified frequency point. Consult the S parameter I/O files for further details as input characteristics depend on channel and package selection. The RL reference plan is closed to the BGA footprint, keeping two times the BGA pitch distance from ball contact to avoid micro-probing electromagnetic disturbance.
- Values represent two channel crosstalk worst-case values for any combination of channel selections. This specification is only characterized on the XCZU67DR-E1156.

## RF-DAC Performance Characteristics

Table 134: RF-DAC Performance Characteristics for ZU2xDR Devices—High Linearity Mode

Symbol	Parameter	Comments/Conditions <sup>1</sup>	20 mA Mode			32 mA Mode			Units
			Min	Typ <sup>2</sup>	Max	Min	Typ <sup>2</sup>	Max	
ACLR	Adjacent channel leakage ratio	$F_C = 240$ MHz, single 3.84 MHz QPSK, PAR = 7.6 dB	-	-82	-78	-	-81	-76	dBc
		$F_C = 1.9$ GHz, single 3.84 MHz QPSK, PAR = 7.6 dB	-	-80	-	-	-79	-	dBc
		$F_C = 2.4$ GHz, single 3.84 MHz QPSK, PAR = 7.6 dB	-	-78	-	-	-76	-	dBc
		$F_C = 3.5$ GHz, single 18 MHz 16QAM PAR = 8.6 dB (by temperature range)	E or I	-	-72	-67	-	-68	-63.5
	M		-	-72	-66	-	-68	-62	dBc
	Adjacent channel leakage ratio using internal PLL to sample RF-DAC with $F_{REF} = 256$ MHz	$F_C = 240$ MHz, single 3.84 MHz QPSK, PAR = 7.6 dB	-	-81	-	-	-79	-	dBc
		$F_C = 1.9$ GHz, single 3.84 MHz QPSK, PAR = 7.6 dB	-	-69	-	-	-69	-	dBc
		$F_C = 2.4$ GHz, single 3.84 MHz QPSK, PAR = 7.6 dB	-	-67	-	-	-67	-	dBc
$F_C = 3.5$ GHz, single 18 MHz 16QAM, PAR = 8.6 dB		-	-66.5	-	-	-65	-	dBc	
OOB <sup>3</sup>	Spurious out-of-band emissions	$F_C = 240$ MHz, single 3.84 MHz QPSK, PAR = 7.6 dB	-	-85	-	-	-79	-	dBm/MHz
		$F_C = 1.9$ GHz, single 3.84 MHz QPSK, PAR = 7.6 dB	-	-84	-	-	-79	-	dBm/MHz
		$F_C = 2.4$ GHz, single 3.84 MHz QPSK, PAR = 7.6 dB	-	-83	-	-	-79	-	dBm/MHz
		$F_C = 3.5$ GHz, single 18 MHz 16QAM, PAR = 8.6 dB	-	-81	-	-	-77	-	dBm/MHz



Table 134: RF-DAC Performance Characteristics for ZU2xDR Devices—High Linearity Mode (cont'd)

Symbol	Parameter	Comments/Conditions <sup>1</sup>	20 mA Mode			32 mA Mode			Units	
			Min	Typ <sup>2</sup>	Max	Min	Typ <sup>2</sup>	Max		
NSD	Noise spectral density averaged across the 1st Nyquist zone	F <sub>OUT</sub> = 240 MHz CW at 0 dBFS	-	-158	-151	-	-149	-	dBm/Hz	
		F <sub>OUT</sub> = 1.9 GHz CW at 0 dBFS	-	-157	-	-	-150	-	dBm/Hz	
		F <sub>OUT</sub> = 2.4 GHz CW at 0 dBFS	-	-157	-	-	-149	-	dBm/Hz	
		F <sub>OUT</sub> = 240 MHz CW at -10 dBFS	-	-163	-160	-	-158	-153	dBm/Hz	
		F <sub>OUT</sub> = 1.9 GHz CW at -10 dBFS	-	-158	-	-	-150	-	dBm/Hz	
		F <sub>OUT</sub> = 2.4 GHz CW at -10 dBFS	-	-157	-	-	-148	-	dBm/Hz	
	Noise spectral density averaged across the 1st Nyquist zone using internal PLL to sample RF-DAC with F <sub>REF</sub> = 256 MHz	F <sub>OUT</sub> = 240 MHz CW at 0 dBFS	-	-158	-	-	-148	-	dBm/Hz	
		F <sub>OUT</sub> = 1.9 GHz CW at 0 dBFS	-	-157	-	-	-149	-	dBm/Hz	
		F <sub>OUT</sub> = 2.4 GHz CW at 0 dBFS	-	-156	-	-	-149	-	dBm/Hz	
		F <sub>OUT</sub> = 240 MHz CW at -10 dBFS	-	-162	-	-	-158	-	dBm/Hz	
		F <sub>OUT</sub> = 1.9 GHz CW at -10 dBFS	-	-158	-	-	-149	-	dBm/Hz	
		F <sub>OUT</sub> = 2.4 GHz CW at -10 dBFS	-	-157	-	-	-148	-	dBm/Hz	
	Noise spectral density averaged across the 2nd Nyquist zone	F <sub>OUT</sub> = 3.5 GHz CW at 0 dBFS	-	-156	-150	-	-151	-	dBm/Hz	
		F <sub>OUT</sub> = 3.5 GHz CW at -10 dBFS	-	-157	-154.6	-	-153	-	dBm/Hz	
	Noise spectral density averaged across the 2nd Nyquist zone using internal PLL to sample RF-DAC with F <sub>REF</sub> = 256 MHz	F <sub>OUT</sub> = 3.5 GHz CW at 0 dBFS	-	-155	-	-	-151	-	dBm/Hz	
		F <sub>OUT</sub> = 3.5 GHz CW at -10 dBFS	-	-157	-	-	-152	-	dBm/Hz	
	SFDR	Spurious free dynamic range excluding second- and third-order harmonic distortion and F <sub>s</sub> /2	F <sub>OUT</sub> = 240 MHz CW at 0 dBFS	80	84	-	83.5	88	-	dBc
			F <sub>OUT</sub> = 1.9 GHz CW at 0 dBFS	-	84	-	-	83	-	dBc
F <sub>OUT</sub> = 2.4 GHz CW at 0 dBFS			-	82	-	-	78	-	dBc	
F <sub>OUT</sub> = 3.5 GHz CW at 0 dBFS			63	72	-	65	74	-	dBc	
F <sub>OUT</sub> = 240 MHz CW at -10 dBFS			71.5	77	-	72	79	-	dBc	
F <sub>OUT</sub> = 1.9 GHz CW at -10 dBFS			-	78	-	-	79	-	dBc	
F <sub>OUT</sub> = 2.4 GHz CW at -10 dBFS			-	76	-	-	77	-	dBc	
F <sub>OUT</sub> = 3.5 GHz CW at -10 dBFS			63	69	-	64	72	-	dBc	
F <sub>OUT</sub> = 2.4 GHz CW at -15 dBFS			-	68	-	-	70	-	dBc	
F <sub>OUT</sub> = 3.5 GHz CW at -15 dBFS			-	63	-	-	70	-	dBc	
HD2	Second-order harmonic distortion	F <sub>OUT</sub> = 240 MHz CW at 0 dBFS	-	-85	-	-	-81	-	dBc	
		F <sub>OUT</sub> = 1.9 GHz CW at 0 dBFS	-	-77	-	-	-77	-	dBc	
		F <sub>OUT</sub> = 2.4 GHz CW at 0 dBFS	-	-76	-	-	-74	-	dBc	
		F <sub>OUT</sub> = 3.5 GHz CW at 0 dBFS	-	-59	-	-	-65	-	dBc	
		F <sub>OUT</sub> = 240 MHz CW at -10 dBFS	-	-81	-	-	-85	-	dBc	
		F <sub>OUT</sub> = 1.9 GHz CW at -10 dBFS	-	-75	-	-	-75	-	dBc	
		F <sub>OUT</sub> = 2.4 GHz CW at -10 dBFS	-	-75	-	-	-74	-	dBc	
		F <sub>OUT</sub> = 3.5 GHz CW at -10 dBFS	-	-59	-	-	-62	-	dBc	

Table 134: RF-DAC Performance Characteristics for ZU2xDR Devices—High Linearity Mode (cont'd)

Symbol	Parameter	Comments/Conditions <sup>1</sup>	20 mA Mode			32 mA Mode			Units
			Min	Typ <sup>2</sup>	Max	Min	Typ <sup>2</sup>	Max	
HD3	Third-order harmonic distortion	F <sub>OUT</sub> = 240 MHz CW at 0 dBFS	-	-86	-78	-	-79	-70	dBc
		F <sub>OUT</sub> = 1.9 GHz CW at 0 dBFS	-	-76	-	-	-73	-	dBc
		F <sub>OUT</sub> = 2.4 GHz CW at 0 dBFS	-	-71	-	-	-68	-	dBc
		F <sub>OUT</sub> = 3.5 GHz CW at 0 dBFS	-	-64	-57	-	-59	-53	dBc
		F <sub>OUT</sub> = 240 MHz CW at -10 dBFS	-	-84	-79	-	-86	-81	dBc
		F <sub>OUT</sub> = 1.9 GHz CW at -10 dBFS	-	-82	-	-	-73	-	dBc
		F <sub>OUT</sub> = 2.4 GHz CW at -10 dBFS	-	-75	-	-	-70	-	dBc
		F <sub>OUT</sub> = 3.5 GHz CW at -10 dBFS	-	-78	-72	-	-68	-68	dBc
		F <sub>OUT</sub> = 2.4 GHz CW at -15 dBFS	-	-73	-	-	-67	-	dBc
		F <sub>OUT</sub> = 3.5 GHz CW at -15 dBFS	-	-71	-	-	-67	-	dBc
IM3	Two-tone, third-order intermodulation distortion	F <sub>OUT</sub> = 240 MHz F <sub>1</sub> , F <sub>2</sub> at -6 dBFS, Δf = 20 MHz	-	-90	-86	-	-92	-80	dBc
		F <sub>OUT</sub> = 1.9 GHz F <sub>1</sub> , F <sub>2</sub> at -6 dBFS, Δf = 20 MHz	-	-78.5	-	-	-78	-	dBc
		F <sub>OUT</sub> = 2.4 GHz F <sub>1</sub> , F <sub>2</sub> at -6 dBFS, Δf = 20 MHz	-	-71	-	-	-69.5	-	dBc
		F <sub>OUT</sub> = 3.5 GHz F <sub>1</sub> , F <sub>2</sub> at -6 dBFS, Δf = 20 MHz	-	-68.5	-61	-	-62	-56	dBc
		F <sub>OUT</sub> = 240 MHz F <sub>1</sub> , F <sub>2</sub> at -16 dBFS, Δf = 20 MHz	-	-85	-80	-	-86	-77	dBc
		F <sub>OUT</sub> = 1.9 GHz F <sub>1</sub> , F <sub>2</sub> at -16 dBFS, Δf = 20 MHz	-	-82	-	-	-84	-	dBc
		F <sub>OUT</sub> = 2.4 GHz F <sub>1</sub> , F <sub>2</sub> at -16 dBFS, Δf = 20 MHz	-	-78.5	-	-	-80	-	dBc
		F <sub>OUT</sub> = 3.5 GHz F <sub>1</sub> , F <sub>2</sub> at -16 dBFS, Δf = 20 MHz	-	-78	-73	-	-82	-78	dBc
		F <sub>OUT</sub> = 2.4 GHz F <sub>1</sub> , F <sub>2</sub> at -21 dBFS, Δf = 20 MHz	-	-73	-	-	-77	-	dBc
		F <sub>OUT</sub> = 3.5 GHz F <sub>1</sub> , F <sub>2</sub> at -21 dBFS, Δf = 20 MHz	-	-73	-	-	-77	-	dBc

**Notes:**

1. RF-DAC sampling rate is 6.4 GS/s using external sampling clock, DAC in mixed-mode for F<sub>OUT</sub> > 3.2 GHz.
2. Typical values are specified at nominal voltage, T<sub>j</sub> = 25°C.
3. Excludes HD2, HD3.

Table 135: RF-DAC Performance Characteristics for ZU39DR Devices—High Linearity Mode

Symbol	Parameter	Comments/Conditions <sup>1</sup>	20 mA Mode			32 mA Mode			Units
			Min	Typ <sup>2</sup>	Max	Min	Typ <sup>2</sup>	Max	
ACLR	Adjacent channel leakage ratio	$F_C = 240$ MHz, single 3.84 MHz QPSK, PAR = 7.6 dB	-	-82	-78	-	-81	-76	dBc
		$F_C = 1.9$ GHz, single 3.84 MHz QPSK, PAR = 7.6 dB	-	-80	-	-	-79	-	dBc
		$F_C = 2.4$ GHz, single 3.84 MHz QPSK, PAR = 7.6 dB	-	-78	-	-	-76	-	dBc
		$F_C = 3.5$ GHz, single 18 MHz 16QAM PAR = 8.6 dB	-	-72	-67	-	-68	-63.5	dBc
		$F_C = 4.2$ GHz, single 18 MHz 16QAM PAR = 8.6 dB	-	-70.3	-	-	-71	-	dBc
		$F_C = 4.9$ GHz, single 18 MHz 16QAM PAR = 8.6 dB	-	-69.5	-	-	-70.2	-	dBc
	Adjacent channel leakage ratio using internal PLL to sample RF-DAC with $F_{REF} = 256$ MHz	$F_C = 240$ MHz, single 3.84 MHz QPSK, PAR = 7.6 dB	-	-81	-	-	-79	-	dBc
		$F_C = 1.9$ GHz, single 3.84 MHz QPSK, PAR = 7.6 dB	-	-69	-	-	-69	-	dBc
		$F_C = 2.4$ GHz, single 3.84 MHz QPSK, PAR = 7.6 dB	-	-67	-	-	-67	-	dBc
		$F_C = 3.5$ GHz, single 18 MHz 16QAM, PAR = 8.6 dB	-	-66.5	-	-	-65	-	dBc
		$F_C = 4.2$ GHz, single 18 MHz 16QAM PAR = 8.6 dB	-	-65.8	-	-	-65.5	-	dBc
		$F_C = 4.9$ GHz, single 18 MHz 16QAM PAR = 8.6 dB	-	-64.4	-	-	-64.3	-	dBc
OOB <sup>3</sup>	Spurious out-of-band emissions	$F_C = 1.9$ GHz, single 3.84 MHz QPSK, PAR = 7.6 dB	-	-84	-	-	-79	-	dBm/MHz
		$F_C = 2.4$ GHz, single 3.84 MHz QPSK, PAR = 7.6 dB	-	-83	-	-	-79	-	dBm/MHz
		$F_C = 3.5$ GHz, single 18 MHz 16QAM, PAR = 8.6 dB	-	-81	-	-	-77	-	dBm/MHz
		$F_C = 4.2$ GHz, single 18 MHz 16QAM PAR = 8.6 dB	-	-81	-	-	-77	-	dBm/MHz
		$F_C = 4.9$ GHz, single 18 MHz 16QAM PAR = 8.6 dB	-	-81	-	-	-76.4	-	dBm/MHz

Table 135: RF-DAC Performance Characteristics for ZU39DR Devices—High Linearity Mode (cont'd)

Symbol	Parameter	Comments/Conditions <sup>1</sup>	20 mA Mode			32 mA Mode			Units
			Min	Typ <sup>2</sup>	Max	Min	Typ <sup>2</sup>	Max	
NSD	Noise spectral density averaged across the 1st Nyquist zone	F <sub>OUT</sub> = 240 MHz CW at 0 dBFS	-	-158	-151	-	-149	-	dBm/Hz
		F <sub>OUT</sub> = 1.9 GHz CW at 0 dBFS	-	-157	-	-	-150	-	dBm/Hz
		F <sub>OUT</sub> = 2.4 GHz CW at 0 dBFS	-	-157	-	-	-149	-	dBm/Hz
		F <sub>OUT</sub> = 240 MHz CW at -10 dBFS	-	-163	-160	-	-158	-153	dBm/Hz
		F <sub>OUT</sub> = 1.9 GHz CW at -10 dBFS	-	-158	-	-	-150	-	dBm/Hz
		F <sub>OUT</sub> = 2.4 GHz CW at -10 dBFS	-	-157	-	-	-148	-	dBm/Hz
	Noise spectral density averaged across the 1st Nyquist zone using internal PLL to sample RF-DAC with F <sub>REF</sub> = 256 MHz	F <sub>OUT</sub> = 240 MHz CW at 0 dBFS	-	-158	-	-	-148	-	dBm/Hz
		F <sub>OUT</sub> = 1.9 GHz CW at 0 dBFS	-	-157	-	-	-149	-	dBm/Hz
		F <sub>OUT</sub> = 2.4 GHz CW at 0 dBFS	-	-156	-	-	-149	-	dBm/Hz
		F <sub>OUT</sub> = 240 MHz CW at -10 dBFS	-	-162	-	-	-158	-	dBm/Hz
		F <sub>OUT</sub> = 1.9 GHz CW at -10 dBFS	-	-158	-	-	-149	-	dBm/Hz
		F <sub>OUT</sub> = 2.4 GHz CW at -10 dBFS	-	-157	-	-	-148	-	dBm/Hz
	Noise spectral density averaged across the 2nd Nyquist zone	F <sub>OUT</sub> = 3.5 GHz CW at 0 dBFS	-	-156	-150	-	-151	-	dBm/Hz
		F <sub>OUT</sub> = 3.5 GHz CW at -10 dBFS	-	-157	-154.6	-	-153	-	dBm/Hz
		F <sub>OUT</sub> = 4.2 GHz CW at 0 dBFS	-	-156	-	-	-151	-	dBm/Hz
		F <sub>OUT</sub> = 4.2 GHz CW at -10 dBFS	-	-157	-	-	-153	-	dBm/Hz
		F <sub>OUT</sub> = 4.9 GHz CW at 0 dBFS	-	-156	-	-	-151	-	dBm/Hz
		F <sub>OUT</sub> = 4.9 GHz CW at -10 dBFS	-	-157	-	-	-153	-	dBm/Hz
	Noise spectral density averaged across the 2nd Nyquist zone using internal PLL to sample RF-DAC with F <sub>REF</sub> = 256 MHz	F <sub>OUT</sub> = 3.5 GHz CW at 0 dBFS	-	-155	-	-	-151	-	dBm/Hz
		F <sub>OUT</sub> = 3.5 GHz CW at -10 dBFS	-	-157	-	-	-152	-	dBm/Hz
		F <sub>OUT</sub> = 4.2 GHz CW at 0 dBFS	-	-155	-	-	-151	-	dBm/Hz
		F <sub>OUT</sub> = 4.2 GHz CW at -10 dBFS	-	-157	-	-	-152	-	dBm/Hz
		F <sub>OUT</sub> = 4.9 GHz CW at 0 dBFS	-	-155	-	-	-151	-	dBm/Hz
		F <sub>OUT</sub> = 4.9 GHz CW at -10 dBFS	-	-157	-	-	-152	-	dBm/Hz
SFDR	Spurious free dynamic range excluding second- and third-order harmonic distortion and Fs/2	F <sub>OUT</sub> = 240 MHz CW at 0 dBFS	80	84	-	83.5	88	-	dBc
		F <sub>OUT</sub> = 1.9 GHz CW at 0 dBFS	-	84	-	-	83	-	dBc
		F <sub>OUT</sub> = 2.4 GHz CW at 0 dBFS	-	82	-	-	78	-	dBc
		F <sub>OUT</sub> = 3.5 GHz CW at 0 dBFS	63	72	-	65	74	-	dBc
		F <sub>OUT</sub> = 4.2 GHz CW at 0 dBFS	-	76.4	-	-	79.2	-	dBc
		F <sub>OUT</sub> = 4.9 GHz CW at 0 dBFS	-	74.6	-	-	78	-	dBc
		F <sub>OUT</sub> = 240 MHz CW at -10 dBFS	71.5	77	-	72	79	-	dBc
		F <sub>OUT</sub> = 1.9 GHz CW at -10 dBFS	-	78	-	-	79	-	dBc
		F <sub>OUT</sub> = 2.4 GHz CW at -10 dBFS	-	76	-	-	77	-	dBc
		F <sub>OUT</sub> = 3.5 GHz CW at -10 dBFS	63	69	-	64	72	-	dBc
		F <sub>OUT</sub> = 4.2 GHz CW at -10 dBFS	-	69.4	-	-	73.4	-	dBc
		F <sub>OUT</sub> = 4.9 GHz CW at -10 dBFS	-	69.3	-	-	71.5	-	dBc
		F <sub>OUT</sub> = 2.4 GHz CW at -15 dBFS	-	68	-	-	70	-	dBc
		F <sub>OUT</sub> = 3.5 GHz CW at -15 dBFS	-	63	-	-	70	-	dBc
		F <sub>OUT</sub> = 4.2 GHz CW at -15 dBFS	-	63.9	-	-	68.1	-	dBc
F <sub>OUT</sub> = 4.9 GHz CW at -15 dBFS	-	60.6	-	-	64.6	-	dBc		

**Table 135: RF-DAC Performance Characteristics for ZU39DR Devices–High Linearity Mode (cont'd)**

Symbol	Parameter	Comments/Conditions <sup>1</sup>	20 mA Mode			32 mA Mode			Units
			Min	Typ <sup>2</sup>	Max	Min	Typ <sup>2</sup>	Max	
HD2	Second-order harmonic distortion	F <sub>OUT</sub> = 240 MHz CW at 0 dBFS	-	-85	-	-	-81	-	dBc
		F <sub>OUT</sub> = 2.4 GHz CW at 0 dBFS	-	-76	-	-	-74	-	dBc
		F <sub>OUT</sub> = 3.5 GHz CW at 0 dBFS	-	-59	-	-	-65	-	dBc
		F <sub>OUT</sub> = 4.2 GHz CW at 0 dBFS	-	-64.3	-	-	-64.3	-	dBc
		F <sub>OUT</sub> = 4.9 GHz CW at 0 dBFS	-	-67.5	-	-	-66	-	dBc
		F <sub>OUT</sub> = 240 MHz CW at -10 dBFS	-	-81	-	-	-85	-	dBc
		F <sub>OUT</sub> = 1.9 GHz CW at -10 dBFS	-	-75	-	-	-75	-	dBc
		F <sub>OUT</sub> = 2.4 GHz CW at -10 dBFS	-	-75	-	-	-74	-	dBc
		F <sub>OUT</sub> = 3.5 GHz CW at -10 dBFS	-	-59	-	-	-62	-	dBc
		F <sub>OUT</sub> = 4.2 GHz CW at -10 dBFS	-	-66.6	-	-	-68.4	-	dBc
		F <sub>OUT</sub> = 4.9 GHz CW at -10 dBFS	-	-71.3	-	-	-70.5	-	dBc
HD3	Third-order harmonic distortion	F <sub>OUT</sub> = 1.9 GHz CW at 0 dBFS	-	-76	-	-	-73	-	dBc
		F <sub>OUT</sub> = 2.4 GHz CW at 0 dBFS	-	-71	-	-	-68	-	dBc
		F <sub>OUT</sub> = 3.5 GHz CW at 0 dBFS	-	-64	-57	-	-59	-53	dBc
		F <sub>OUT</sub> = 4.2 GHz CW at 0 dBFS	-	-63.2	-	-	-61.2	-	dBc
		F <sub>OUT</sub> = 4.9 GHz CW at 0 dBFS	-	-62.4	-	-	-61.7	-	dBc
		F <sub>OUT</sub> = 240 MHz CW at -10 dBFS	-	-84	-79	-	-86	-81	dBc
		F <sub>OUT</sub> = 1.9 GHz CW at -10 dBFS	-	-82	-	-	-73	-	dBc
		F <sub>OUT</sub> = 2.4 GHz CW at -10 dBFS	-	-75	-	-	-70	-	dBc
		F <sub>OUT</sub> = 3.5 GHz CW at -10 dBFS	-	-78	-72	-	-68	-68	dBc
		F <sub>OUT</sub> = 4.2 GHz CW at -10 dBFS	-	-76.3	-	-	-80	-	dBc
		F <sub>OUT</sub> = 4.9 GHz CW at -10 dBFS	-	-73.7	-	-	-77	-	dBc
		F <sub>OUT</sub> = 2.4 GHz CW at -15 dBFS	-	-73	-	-	-67	-	dBc
		F <sub>OUT</sub> = 3.5 GHz CW at -15 dBFS	-	-71	-	-	-67	-	dBc
		F <sub>OUT</sub> = 4.2 GHz CW at -15 dBFS	-	-68.6	-	-	-72.1	-	dBc
F <sub>OUT</sub> = 4.9 GHz CW at -15 dBFS	-	-64.5	-	-	-68.1	-	dBc		

**Table 135: RF-DAC Performance Characteristics for ZU39DR Devices—High Linearity Mode (cont'd)**

Symbol	Parameter	Comments/Conditions <sup>1</sup>	20 mA Mode			32 mA Mode			Units
			Min	Typ <sup>2</sup>	Max	Min	Typ <sup>2</sup>	Max	
IM3	Two-tone, third-order intermodulation distortion	F <sub>OUT</sub> = 1.9 GHz F <sub>1</sub> , F <sub>2</sub> at -6 dBFS, Δf = 20 MHz	-	-78.5	-	-	-78	-	dBc
		F <sub>OUT</sub> = 2.4 GHz F <sub>1</sub> , F <sub>2</sub> at -6 dBFS, Δf = 20 MHz	-	-71	-	-	-69.5	-	dBc
		F <sub>OUT</sub> = 3.5 GHz F <sub>1</sub> , F <sub>2</sub> at -6 dBFS, Δf = 20 MHz	-	-68.5	-61	-	-62	-56	dBc
		F <sub>OUT</sub> = 4.2 GHz F <sub>1</sub> , F <sub>2</sub> at -6 dBFS, Δf = 20 MHz	-	-74.7	-	-	-64.7	-	dBc
		F <sub>OUT</sub> = 4.9 GHz F <sub>1</sub> , F <sub>2</sub> at -6 dBFS, Δf = 20 MHz	-	-73.9	-	-	-66.4	-	dBc
		F <sub>OUT</sub> = 240 MHz F <sub>1</sub> , F <sub>2</sub> at -16 dBFS, Δf = 20 MHz	-	-85	-80	-	-86	-77	dBc
		F <sub>OUT</sub> = 1.9 GHz F <sub>1</sub> , F <sub>2</sub> at -16 dBFS, Δf = 20 MHz	-	-80.5	-	-	-84	-	dBc
		F <sub>OUT</sub> = 2.4 GHz F <sub>1</sub> , F <sub>2</sub> at -16 dBFS, Δf = 20 MHz	-	-78.5	-	-	-80	-	dBc
		F <sub>OUT</sub> = 3.5 GHz F <sub>1</sub> , F <sub>2</sub> at -16 dBFS, Δf = 20 MHz	-	-78	-73	-	-82	-78	dBc
		F <sub>OUT</sub> = 4.2 GHz F <sub>1</sub> , F <sub>2</sub> at -16 dBFS, Δf = 20 MHz	-	-74.7	-	-	-78.9	-	dBc
		F <sub>OUT</sub> = 4.9 GHz F <sub>1</sub> , F <sub>2</sub> at -16 dBFS, Δf = 20 MHz	-	-73.9	-	-	-78.1	-	dBc
		F <sub>OUT</sub> = 2.4 GHz F <sub>1</sub> , F <sub>2</sub> at -21 dBFS, Δf = 20 MHz	-	-73	-	-	-77	-	dBc
		F <sub>OUT</sub> = 3.5 GHz F <sub>1</sub> , F <sub>2</sub> at -21 dBFS, Δf = 20 MHz	-	-73	-	-	-77	-	dBc
		F <sub>OUT</sub> = 4.2 GHz F <sub>1</sub> , F <sub>2</sub> at -21 dBFS, Δf = 20 MHz	-	-67.3	-	-	-71.5	-	dBc
F <sub>OUT</sub> = 4.9 GHz F <sub>1</sub> , F <sub>2</sub> at -21 dBFS, Δf = 20 MHz	-	-63.7	-	-	-68.6	-	dBc		

**Notes:**

1. RF-DAC sampling rate is 6.4 GS/s using external sampling clock, DAC in mixed-mode for F<sub>OUT</sub> > 3.2 GHz.
2. Typical values are specified at nominal voltage, T<sub>j</sub> = 25°C.
3. Excludes HD2, HD3.

Table 136: RF-DAC Performance Characteristics for ZU2xDR Devices—Low Noise Mode

Symbol	Parameter	Comments/Conditions <sup>1</sup>	20 mA Mode			32 mA Mode			Units	
			Min	Typ <sup>2</sup>	Max	Min	Typ <sup>2</sup>	Max		
ACLR	Adjacent channel leakage ratio	F <sub>C</sub> = 240 MHz, single 3.84 MHz QPSK, PAR = 7.6 dB (by temperature range)	E or I	-	-83	-78	-	-81	-76	dBc
			M	-	-83	-77	-	-81	-76	dBc
		F <sub>C</sub> = 1.9 GHz, single 3.84 MHz QPSK, PAR = 7.6 dB	-	-79	-	-	-79	-	dBc	
		F <sub>C</sub> = 2.4 GHz, single 3.84 MHz QPSK, PAR = 7.6 dB	-	-76	-	-	-78	-	dBc	
	F <sub>C</sub> = 3.5 GHz, single 18 MHz 16QAM, PAR = 8.6 dB	-	-71	-65	-	-70	-64	dBc		
	Adjacent channel leakage ratio using internal PLL to sample RF-DAC with F <sub>REF</sub> = 256 MHz	F <sub>C</sub> = 240 MHz, single 3.84 MHz QPSK, PAR = 7.6 dB	-	-81	-	-	-79	-	dBc	
		F <sub>C</sub> = 1.9 GHz, single 3.84 MHz QPSK, PAR = 7.6 dB	-	-69	-	-	-69	-	dBc	
		F <sub>C</sub> = 2.4 GHz, single 3.84 MHz QPSK, PAR = 7.6 dB	-	-67	-	-	-67	-	dBc	
F <sub>C</sub> = 3.5 GHz, single 18 MHz 16QAM, PAR = 8.6 dB		-	-66	-	-	-65	-	dBc		
OOB <sup>3</sup>	Spurious out-of-band emissions	F <sub>C</sub> = 240 MHz, single 3.84 MHz QPSK, PAR = 7.6 dB	-	-84	-	-	-78	-	dBm/MHz	
		F <sub>C</sub> = 1.9 GHz, single 3.84 MHz QPSK, PAR = 7.6 dB	-	-82	-	-	-77	-	dBm/MHz	
		F <sub>C</sub> = 2.4 GHz, single 3.84 MHz QPSK, PAR = 7.6 dB	-	-81	-	-	-76	-	dBm/MHz	
		F <sub>C</sub> = 3.5 GHz, single 18 MHz 16QAM, PAR = 8.6 dB	-	-82	-	-	-77	-	dBm/MHz	
NSD	Noise spectral density averaged across the 1st Nyquist zone	F <sub>OUT</sub> = 240 MHz CW at 0 dBFS	-	-166	-163.5	-	-163	-160.5	dBm/Hz	
		F <sub>OUT</sub> = 1.9 GHz CW at 0 dBFS	-	-162	-	-	-160	-	dBm/Hz	
		F <sub>OUT</sub> = 2.4 GHz CW at 0 dBFS	-	-161	-	-	-159	-	dBm/Hz	
		F <sub>OUT</sub> = 240 MHz CW at -10 dBFS	-	-165	-162.5	-	-165	-161.5	dBm/Hz	
		F <sub>OUT</sub> = 1.9 GHz CW at -10 dBFS	-	-164	-	-	-163	-	dBm/Hz	
		F <sub>OUT</sub> = 2.4 GHz CW at -10 dBFS	-	-164	-	-	-163	-	dBm/Hz	
	Noise spectral density averaged across the 1st Nyquist zone using internal PLL to sample RF-DAC with F <sub>REF</sub> = 256 MHz	F <sub>OUT</sub> = 240 MHz CW at 0 dBFS	-	-166	-	-	-165	-	dBm/Hz	
		F <sub>OUT</sub> = 1.9 GHz CW at 0 dBFS	-	-161	-	-	-159	-	dBm/Hz	
		F <sub>OUT</sub> = 2.4 GHz CW at 0 dBFS	-	-160	-	-	-158	-	dBm/Hz	
		F <sub>OUT</sub> = 240 MHz CW at -10 dBFS	-	-165	-	-	-163	-	dBm/Hz	
		F <sub>OUT</sub> = 1.9 GHz CW at -10 dBFS	-	-164	-	-	-162	-	dBm/Hz	
		F <sub>OUT</sub> = 2.4 GHz CW at -10 dBFS	-	-163	-	-	-161	-	dBm/Hz	
	Noise spectral density averaged across the 2nd Nyquist zone	F <sub>OUT</sub> = 3.5 GHz CW at 0 dBFS	-	-158	-155.5	-	-156	-152.5	dBm/Hz	
		F <sub>OUT</sub> = 3.5 GHz CW at -10 dBFS (by temperature range)	E or I	-	-159	-156.5	-	-159	-156	dBm/Hz
			M	-	-159	-156.5	-	-159	-155	dBm/Hz
	Noise spectral density averaged across the 2nd Nyquist zone using internal PLL to sample RF-DAC with F <sub>REF</sub> = 256 MHz	F <sub>OUT</sub> = 3.5 GHz CW at 0 dBFS	-	-158	-	-	-156	-	dBm/Hz	
F <sub>OUT</sub> = 3.5 GHz CW at -10 dBFS		-	-159	-	-	-159	-	dBm/Hz		

Table 136: RF-DAC Performance Characteristics for ZU2xDR Devices—Low Noise Mode (cont'd)

Symbol	Parameter	Comments/Conditions <sup>1</sup>	20 mA Mode			32 mA Mode			Units
			Min	Typ <sup>2</sup>	Max	Min	Typ <sup>2</sup>	Max	
SFDR	Spurious free dynamic range excluding second- and third-order harmonic distortion and $F_s/2$	$F_{OUT} = 240$ MHz CW at 0 dBFS	68.5	77	-	66	74	-	dBc
		$F_{OUT} = 1.9$ GHz CW at 0 dBFS	-	76	-	-	74	-	dBc
		$F_{OUT} = 2.4$ GHz CW at 0 dBFS	-	73	-	-	71	-	dBc
		$F_{OUT} = 3.5$ GHz CW at 0 dBFS	61	69	-	60	68.5	-	dBc
		$F_{OUT} = 240$ MHz CW at -10 dBFS	65	74	-	65	73	-	dBc
		$F_{OUT} = 1.9$ GHz CW at -10 dBFS	-	73	-	-	73	-	dBc
		$F_{OUT} = 2.4$ GHz CW at -10 dBFS	-	71	-	-	70	-	dBc
		$F_{OUT} = 3.5$ GHz CW at -10 dBFS	-	64	-	-	64.5	-	dBc
		$F_{OUT} = 2.4$ GHz CW at -15 dBFS	-	66	-	-	65	-	dBc
		$F_{OUT} = 3.5$ GHz CW at -15 dBFS	-	58	-	-	60	-	dBc
HD2	Second-order harmonic distortion	$F_{OUT} = 240$ MHz CW at 0 dBFS	-	-71	-	-	-64	-	dBc
		$F_{OUT} = 1.9$ GHz CW at 0 dBFS	-	-67	-	-	-63	-	dBc
		$F_{OUT} = 2.4$ GHz CW at 0 dBFS	-	-67	-	-	-63	-	dBc
		$F_{OUT} = 3.5$ GHz CW at 0 dBFS	-	-57	-	-	-56	-	dBc
		$F_{OUT} = 240$ MHz CW at -10 dBFS	-	-75	-	-	-67	-	dBc
		$F_{OUT} = 1.9$ GHz CW at -10 dBFS	-	-64	-	-	-61	-	dBc
		$F_{OUT} = 2.4$ GHz CW at -10 dBFS	-	-64	-	-	-61	-	dBc
		$F_{OUT} = 3.5$ GHz CW at -10 dBFS	-	-58	-	-	-57	-	dBc
HD3	Third-order harmonic distortion	$F_{OUT} = 240$ MHz CW at 0 dBFS	-	-82	-69.5	-	-79	-64	dBc
		$F_{OUT} = 1.9$ GHz CW at 0 dBFS	-	-75	-	-	-71	-	dBc
		$F_{OUT} = 2.4$ GHz CW at 0 dBFS	-	-70	-	-	-63	-	dBc
		$F_{OUT} = 3.5$ GHz CW at 0 dBFS	-	-62	-55	-	-59.5	-54	dBc
		$F_{OUT} = 240$ MHz CW at -10 dBFS	-	-76	-62	-	-73	-60	dBc
		$F_{OUT} = 1.9$ GHz CW at -10 dBFS	-	-73	-	-	-67	-	dBc
		$F_{OUT} = 2.4$ GHz CW at -10 dBFS	-	-68	-	-	-62.5	-	dBc
		$F_{OUT} = 3.5$ GHz CW at -10 dBFS	-	-66	-55	-	-63	-52	dBc
		$F_{OUT} = 2.4$ GHz CW at -15 dBFS	-	-67	-	-	-61	-	dBc
		$F_{OUT} = 3.5$ GHz CW at -15 dBFS	-	-63	-	-	-61	-	dBc



Table 136: RF-DAC Performance Characteristics for ZU2xDR Devices—Low Noise Mode (cont'd)

Symbol	Parameter	Comments/Conditions <sup>1</sup>	20 mA Mode			32 mA Mode			Units
			Min	Typ <sup>2</sup>	Max	Min	Typ <sup>2</sup>	Max	
IM3	Two-tone, third-order intermodulation distortion	F <sub>OUT</sub> = 240 MHz F <sub>1</sub> , F <sub>2</sub> at -6 dBFS, Δf = 20 MHz	-	-84	-69	-	-82	-67	dBc
		F <sub>OUT</sub> = 1.9 GHz F <sub>1</sub> , F <sub>2</sub> at -6 dBFS, Δf = 20 MHz	-	-79	-	-	-77	-	dBc
		F <sub>OUT</sub> = 2.4 GHz F <sub>1</sub> , F <sub>2</sub> at -6 dBFS, Δf = 20 MHz	-	-73	-	-	-76	-	dBc
		F <sub>OUT</sub> = 3.5 GHz F <sub>1</sub> , F <sub>2</sub> at -6 dBFS, Δf = 20 MHz	-	-68	-60	-	-63	-56	dBc
		F <sub>OUT</sub> = 240 MHz F <sub>1</sub> , F <sub>2</sub> at -16 dBFS, Δf = 20 MHz	-	-79	-65	-	-72	-62	dBc
		F <sub>OUT</sub> = 1.9 GHz F <sub>1</sub> , F <sub>2</sub> at -16 dBFS, Δf = 20 MHz	-	-70	-	-	-69	-	dBc
		F <sub>OUT</sub> = 2.4 GHz F <sub>1</sub> , F <sub>2</sub> at -16 dBFS, Δf = 20 MHz	-	-67	-	-	-67	-	dBc
		F <sub>OUT</sub> = 3.5 GHz F <sub>1</sub> , F <sub>2</sub> at -16 dBFS, Δf = 20 MHz	-	-67	-57	-	-67	-56	dBc
		F <sub>OUT</sub> = 2.4 GHz F <sub>1</sub> , F <sub>2</sub> at -21 dBFS, Δf = 20 MHz	-	-70	-	-	-70	-	dBc
		F <sub>OUT</sub> = 3.5 GHz F <sub>1</sub> , F <sub>2</sub> at -21 dBFS, Δf = 20 MHz	-	-69	-	-	-65	-	dBc

**Notes:**

1. RF-DAC sampling rate is 6.4 GS/s using external sampling clock, DAC in mixed-mode for F<sub>OUT</sub> > 3.2 GHz.
2. Typical values are specified at nominal voltage, T<sub>j</sub> = 25°C.
3. Excludes HD2, HD3.

**Table 137: RF-DAC Performance Characteristics for ZU39DR Devices—Low Noise Mode**

Symbol	Parameter	Comments/Conditions <sup>1</sup>	20 mA Mode			32 mA Mode			Units
			Min	Typ <sup>2</sup>	Max	Min	Typ <sup>2</sup>	Max	
ACLR	Adjacent channel leakage ratio	$F_C = 240$ MHz, single 3.84 MHz QPSK, PAR = 7.6 dB	-	-83	-78	-	-81	-76	dBc
		$F_C = 1.9$ GHz, single 3.84 MHz QPSK, PAR = 7.6 dB	-	-79	-	-	-79	-	dBc
		$F_C = 2.4$ GHz, single 3.84 MHz QPSK, PAR = 7.6 dB	-	-76	-	-	-78	-	dBc
		$F_C = 3.5$ GHz, single 18 MHz 16QAM, PAR = 8.6 dB	-	-71	-65	-	-70	-64	dBc
		$F_C = 4.2$ GHz, single 18 MHz 16QAM, PAR = 8.6 dB	-	-70.1	-	-	-71	-	dBc
		$F_C = 4.9$ GHz, single 18 MHz 16QAM, PAR = 8.6 dB	-	-69	-	-	-70.7	-	dBc
	Adjacent channel leakage ratio using internal PLL to sample RF-DAC with $F_{REF} = 256$ MHz	$F_C = 240$ MHz, single 3.84 MHz QPSK, PAR = 7.6 dB	-	-81	-	-	-79	-	dBc
		$F_C = 1.9$ GHz, single 3.84 MHz QPSK, PAR = 7.6 dB	-	-69	-	-	-69	-	dBc
		$F_C = 2.4$ GHz, single 3.84 MHz QPSK, PAR = 7.6 dB	-	-67	-	-	-67	-	dBc
		$F_C = 3.5$ GHz, single 18 MHz 16QAM, PAR = 8.6 dB	-	-66	-	-	-65	-	dBc
		$F_C = 4.2$ GHz, single 18 MHz 16QAM, PAR = 8.6 dB	-	-65.4	-	-	-65.4	-	dBc
		$F_C = 4.9$ GHz, single 18 MHz 16QAM, PAR = 8.6 dB	-	-64.3	-	-	-64.4	-	dBc
OOB <sup>3</sup>	Spurious out-of-band emissions	$F_C = 240$ MHz, single 3.84 MHz QPSK, PAR = 7.6 dB	-	-84	-	-	-78	-	dBm/MHz
		$F_C = 1.9$ GHz, single 3.84 MHz QPSK, PAR = 7.6 dB	-	-82	-	-	-77	-	dBm/MHz
		$F_C = 2.4$ GHz, single 3.84 MHz QPSK, PAR = 7.6 dB	-	-81	-	-	-76	-	dBm/MHz
		$F_C = 3.5$ GHz, single 18 MHz 16QAM, PAR = 8.6 dB	-	-82	-	-	-77	-	dBm/MHz
		$F_C = 4.2$ GHz, single 18 MHz 16QAM, PAR = 8.6 dB	-	-82	-	-	-77	-	dBm/MHz
		$F_C = 4.9$ GHz, single 18 MHz 16QAM, PAR = 8.6 dB	-	-82	-	-	-77	-	dBm/MHz

Table 137: RF-DAC Performance Characteristics for ZU39DR Devices—Low Noise Mode (cont'd)

Symbol	Parameter	Comments/Conditions <sup>1</sup>	20 mA Mode			32 mA Mode			Units
			Min	Typ <sup>2</sup>	Max	Min	Typ <sup>2</sup>	Max	
NSD	Noise spectral density averaged across the 1st Nyquist zone	F <sub>OUT</sub> = 240 MHz CW at 0 dBFS	-	-166	-163.5	-	-163	-160.5	dBm/Hz
		F <sub>OUT</sub> = 1.9 GHz CW at 0 dBFS	-	-162	-	-	-160	-	dBm/Hz
		F <sub>OUT</sub> = 2.4 GHz CW at 0 dBFS	-	-161	-	-	-159	-	dBm/Hz
		F <sub>OUT</sub> = 240 MHz CW at -10 dBFS	-	-165	-162.5	-	-165	-161.5	dBm/Hz
		F <sub>OUT</sub> = 1.9 GHz CW at -10 dBFS	-	-164	-	-	-163	-	dBm/Hz
		F <sub>OUT</sub> = 2.4 GHz CW at -10 dBFS	-	-164	-	-	-163	-	dBm/Hz
	Noise spectral density averaged across the 1st Nyquist zone using internal PLL to sample RF-DAC with F <sub>REF</sub> = 256 MHz	F <sub>OUT</sub> = 240 MHz CW at 0 dBFS	-	-166	-	-	-165	-	dBm/Hz
		F <sub>OUT</sub> = 1.9 GHz CW at 0 dBFS	-	-161	-	-	-159	-	dBm/Hz
		F <sub>OUT</sub> = 2.4 GHz CW at 0 dBFS	-	-160	-	-	-158	-	dBm/Hz
		F <sub>OUT</sub> = 240 MHz CW at -10 dBFS	-	-165	-	-	-163	-	dBm/Hz
		F <sub>OUT</sub> = 1.9 GHz CW at -10 dBFS	-	-164	-	-	-162	-	dBm/Hz
		F <sub>OUT</sub> = 2.4 GHz CW at -10 dBFS	-	-163	-	-	-161	-	dBm/Hz
	Noise spectral density averaged across the 2nd Nyquist zone	F <sub>OUT</sub> = 3.5 GHz CW at 0 dBFS	-	-158	-155.5	-	-156	-152.5	dBm/Hz
		F <sub>OUT</sub> = 3.5 GHz CW at -10 dBFS	-	-159	-156.5	-	-159	-156	dBm/Hz
		F <sub>OUT</sub> = 4.2 GHz CW at 0 dBFS	-	-158	-	-	-156	-	dBm/Hz
		F <sub>OUT</sub> = 4.2 GHz CW at -10 dBFS	-	-159	-	-	-159	-	dBm/Hz
		F <sub>OUT</sub> = 4.9 GHz CW at 0 dBFS	-	-158	-	-	-156	-	dBm/Hz
		F <sub>OUT</sub> = 4.9 GHz CW at -10 dBFS	-	-159	-	-	-159	-	dBm/Hz
	Noise spectral density averaged across the 2nd Nyquist zone using internal PLL to sample RF-DAC with F <sub>REF</sub> = 256 MHz	F <sub>OUT</sub> = 3.5 GHz CW at 0 dBFS	-	-158	-	-	-156	-	dBm/Hz
		F <sub>OUT</sub> = 3.5 GHz CW at -10 dBFS	-	-159	-	-	-159	-	dBm/Hz
		F <sub>OUT</sub> = 4.2 GHz CW at 0 dBFS	-	-158	-	-	-156	-	dBm/Hz
		F <sub>OUT</sub> = 4.2 GHz CW at -10 dBFS	-	-159	-	-	-159	-	dBm/Hz
		F <sub>OUT</sub> = 4.9 GHz CW at 0 dBFS	-	-158	-	-	-156	-	dBm/Hz
		F <sub>OUT</sub> = 4.9 GHz CW at -10 dBFS	-	-159	-	-	-159	-	dBm/Hz
SFDR	Spurious free dynamic range excluding second- and third-order harmonic distortion and Fs/2	F <sub>OUT</sub> = 240 MHz CW at 0 dBFS	68.5	77	-	66	74	-	dBc
		F <sub>OUT</sub> = 1.9 GHz CW at 0 dBFS	-	76	-	-	74	-	dBc
		F <sub>OUT</sub> = 2.4 GHz CW at 0 dBFS	-	73	-	-	71	-	dBc
		F <sub>OUT</sub> = 3.5 GHz CW at 0 dBFS	61	69	-	60	68.5	-	dBc
		F <sub>OUT</sub> = 4.2 GHz CW at 0 dBFS	-	70.6	-	-	70.4	-	dBc
		F <sub>OUT</sub> = 4.9 GHz CW at 0 dBFS	-	70	-	-	69.2	-	dBc
		F <sub>OUT</sub> = 240 MHz CW at -10 dBFS	65	74	-	65	73	-	dBc
		F <sub>OUT</sub> = 1.9 GHz CW at -10 dBFS	-	73	-	-	73	-	dBc
		F <sub>OUT</sub> = 2.4 GHz CW at -10 dBFS	-	71	-	-	70	-	dBc
		F <sub>OUT</sub> = 3.5 GHz CW at -10 dBFS	-	64	-	-	64.5	-	dBc
		F <sub>OUT</sub> = 4.2 GHz CW at -10 dBFS	-	64.5	-	-	63.2	-	dBc
		F <sub>OUT</sub> = 4.9 GHz CW at -10 dBFS	-	64.1	-	-	64.2	-	dBc
		F <sub>OUT</sub> = 2.4 GHz CW at -15 dBFS	-	66	-	-	65	-	dBc
		F <sub>OUT</sub> = 3.5 GHz CW at -15 dBFS	-	58	-	-	60	-	dBc
		F <sub>OUT</sub> = 4.2 GHz CW at -15 dBFS	-	62.5	-	-	63.8	-	dBc
F <sub>OUT</sub> = 4.9 GHz CW at -15 dBFS	-	58.9	-	-	60	-	dBc		

Table 137: RF-DAC Performance Characteristics for ZU39DR Devices—Low Noise Mode (cont'd)

Symbol	Parameter	Comments/Conditions <sup>1</sup>	20 mA Mode			32 mA Mode			Units
			Min	Typ <sup>2</sup>	Max	Min	Typ <sup>2</sup>	Max	
HD2	Second-order harmonic distortion	F <sub>OUT</sub> = 240 MHz CW at 0 dBFS	-	-71	-	-	-64	-	dBc
		F <sub>OUT</sub> = 1.9 GHz CW at 0 dBFS	-	-67	-	-	-63	-	dBc
		F <sub>OUT</sub> = 2.4 GHz CW at 0 dBFS	-	-67	-	-	-63	-	dBc
		F <sub>OUT</sub> = 3.5 GHz CW at 0 dBFS	-	-57	-	-	-56	-	dBc
		F <sub>OUT</sub> = 4.2 GHz CW at 0 dBFS	-	-56.7	-	-	-54.7	-	dBc
		F <sub>OUT</sub> = 4.9 GHz CW at 0 dBFS	-	-59.5	-	-	-56.1	-	dBc
		F <sub>OUT</sub> = 1.9 GHz CW at -10 dBFS	-	-64	-	-	-61	-	dBc
		F <sub>OUT</sub> = 2.4 GHz CW at -10 dBFS	-	-64	-	-	-58	-	dBc
		F <sub>OUT</sub> = 3.5 GHz CW at -10 dBFS	-	-58	-	-	-57	-	dBc
		F <sub>OUT</sub> = 4.2 GHz CW at -10 dBFS	-	-59.1	-	-	-56.6	-	dBc
		F <sub>OUT</sub> = 4.9 GHz CW at -10 dBFS	-	-63.7	-	-	-59.6	-	dBc
HD3	Third-order harmonic distortion	F <sub>OUT</sub> = 1.9 GHz CW at 0 dBFS	-	-75	-	-	-71	-	dBc
		F <sub>OUT</sub> = 2.4 GHz CW at 0 dBFS	-	-70	-	-	-63	-	dBc
		F <sub>OUT</sub> = 3.5 GHz CW at 0 dBFS	-	-62	-55	-	-59.5	-54	dBc
		F <sub>OUT</sub> = 4.2 GHz CW at 0 dBFS	-	-62.8	-	-	-61.1	-	dBc
		F <sub>OUT</sub> = 4.9 GHz CW at 0 dBFS	-	-62.3	-	-	-61.6	-	dBc
		F <sub>OUT</sub> = 240 MHz CW at -10 dBFS	-	-76	-62	-	-73	-60	dBc
		F <sub>OUT</sub> = 1.9 GHz CW at -10 dBFS	-	-73	-	-	-67	-	dBc
		F <sub>OUT</sub> = 2.4 GHz CW at -10 dBFS	-	-68	-	-	-62.5	-	dBc
		F <sub>OUT</sub> = 3.5 GHz CW at -10 dBFS	-	-66	-55	-	-63	-52	dBc
		F <sub>OUT</sub> = 4.2 GHz CW at -10 dBFS	-	-63	-	-	-61.7	-	dBc
		F <sub>OUT</sub> = 4.9 GHz CW at -10 dBFS	-	-62.9	-	-	-62.5	-	dBc
		F <sub>OUT</sub> = 2.4 GHz CW at -15 dBFS	-	-67	-	-	-61	-	dBc
		F <sub>OUT</sub> = 3.5 GHz CW at -15 dBFS	-	-63	-	-	-61	-	dBc
F <sub>OUT</sub> = 4.2 GHz CW at -15 dBFS	-	-67.8	-	-	-70.2	-	dBc		
		F <sub>OUT</sub> = 4.9 GHz CW at -15 dBFS	-	-62.8	-	-	-64.7	-	dBc

Table 137: RF-DAC Performance Characteristics for ZU39DR Devices—Low Noise Mode (cont'd)

Symbol	Parameter	Comments/Conditions <sup>1</sup>	20 mA Mode			32 mA Mode			Units
			Min	Typ <sup>2</sup>	Max	Min	Typ <sup>2</sup>	Max	
IM3	Two-tone, third-order intermodulation distortion	F <sub>OUT</sub> = 240 MHz F <sub>1</sub> , F <sub>2</sub> at -6 dBFS, Δf = 20 MHz	-	-84	-69	-	-82	-67	dBc
		F <sub>OUT</sub> = 1.9 GHz F <sub>1</sub> , F <sub>2</sub> at -6 dBFS, Δf = 20 MHz	-	-79	-	-	-77	-	dBc
		F <sub>OUT</sub> = 2.4 GHz F <sub>1</sub> , F <sub>2</sub> at -6 dBFS, Δf = 20 MHz	-	-73	-	-	-76	-	dBc
		F <sub>OUT</sub> = 3.5 GHz F <sub>1</sub> , F <sub>2</sub> at -6 dBFS, Δf = 20 MHz	-	-68	-60	-	-63	-56	dBc
		F <sub>OUT</sub> = 4.2 GHz F <sub>1</sub> , F <sub>2</sub> at -6 dBFS, Δf = 20 MHz	-	-69.3	-	-	-64.7	-	dBc
		F <sub>OUT</sub> = 4.9 GHz F <sub>1</sub> , F <sub>2</sub> at -6 dBFS, Δf = 20 MHz	-	-69.2	-	-	-65.5	-	dBc
		F <sub>OUT</sub> = 240 MHz F <sub>1</sub> , F <sub>2</sub> at -16 dBFS, Δf = 20 MHz	-	-79	-65	-	-72	-62	dBc
		F <sub>OUT</sub> = 1.9 GHz F <sub>1</sub> , F <sub>2</sub> at -16 dBFS, Δf = 20 MHz	-	-70	-	-	-69	-	dBc
		F <sub>OUT</sub> = 2.4 GHz F <sub>1</sub> , F <sub>2</sub> at -16 dBFS, Δf = 20 MHz	-	-67	-	-	-67	-	dBc
		F <sub>OUT</sub> = 3.5 GHz F <sub>1</sub> , F <sub>2</sub> at -16 dBFS, Δf = 20 MHz	-	-67	-57	-	-67	-56	dBc
		F <sub>OUT</sub> = 4.2 GHz F <sub>1</sub> , F <sub>2</sub> at -16 dBFS, Δf = 20 MHz	-	-65.9	-	-	-66.1	-	dBc
		F <sub>OUT</sub> = 4.9 GHz F <sub>1</sub> , F <sub>2</sub> at -16 dBFS, Δf = 20 MHz	-	-65	-	-	-65.1	-	dBc
		F <sub>OUT</sub> = 2.4 GHz F <sub>1</sub> , F <sub>2</sub> at -21 dBFS, Δf = 20 MHz	-	-70	-	-	-70	-	dBc
		F <sub>OUT</sub> = 3.5 GHz F <sub>1</sub> , F <sub>2</sub> at -21 dBFS, Δf = 20 MHz	-	-69	-	-	-65	-	dBc
		F <sub>OUT</sub> = 4.2 GHz F <sub>1</sub> , F <sub>2</sub> at -21 dBFS, Δf = 20 MHz	-	-66.4	-	-	-67.1	-	dBc
F <sub>OUT</sub> = 4.9 GHz F <sub>1</sub> , F <sub>2</sub> at -21 dBFS, Δf = 20 MHz	-	-62.9	-	-	-64.8	-	dBc		

**Notes:**

- RF-DAC sampling rate is 6.4 GS/s using external sampling clock, DAC in mixed-mode for F<sub>OUT</sub> > 3.2 GHz.
- Typical values are specified at nominal voltage, T<sub>j</sub> = 25°C.
- Excludes HD2, HD3.

Table 138: Main RF-DAC Performance Characteristics for ZU4xDR Devices–Low Noise Mode

Symbol	Parameter	Comments/Conditions <sup>1, 2</sup>	6.4 mA			32 mA			Units
			Min	Typ <sup>3</sup>	Max	Min	Typ <sup>3</sup>	Max	
ACLR <sup>4</sup>	Adjacent channel leakage ratio measured with external sampling clock forwarded between tiles	F <sub>C</sub> = 240 MHz, single 3.84 MHz QPSK, PAR = 7.6 dB	-	-81.1	-78.8	-	-81.1	-77	dBc
		F <sub>C</sub> = 1.9 GHz, single 3.84 MHz QPSK, PAR = 7.6 dB	-	-76.6	-	-	-77.6	-	dBc
		F <sub>C</sub> = 2.4 GHz, single 3.84 MHz QPSK, PAR = 7.6 dB	-	-75.1	-	-	-76.9	-	dBc
		F <sub>C</sub> = 3.5 GHz, single 18 MHz 16QAM, PAR = 8.6 dB, F <sub>S</sub> = 9 GS/s	-	-68.6	-65.2	-	-73.4	-67.3	dBc
		F <sub>C</sub> = 4.9 GHz, single 18 MHz 16QAM, PAR = 8.6 dB, F <sub>S</sub> = 8.5 GS/s	-	-66.5	-61.3	-	-69.2	-61.8	dBc
		F <sub>C</sub> = 5.9 GHz, single 18 MHz 16QAM, PAR = 8.6 dB	-	-67.3	-	-	-69.6	-	dBc
	Adjacent channel leakage ratio with F <sub>REF</sub> = 500 MHz <sup>6</sup> measured with sampling clock generated from internal RF PLL and forwarded between tiles	F <sub>C</sub> = 3.5 GHz, single 18 MHz 16QAM, PAR = 8.6 dB, F <sub>S</sub> = 9 GS/s	-	-66.1	-	-	-67.9	-	dBc
		F <sub>C</sub> = 4.9 GHz, single 18 MHz 16QAM, PAR = 8.6 dB, F <sub>S</sub> = 8.5 GS/s	-	-64.2	-	-	-64.9	-	dBc
		F <sub>C</sub> = 5.9 GHz, single 18 MHz 16QAM, PAR = 8.6 dB	-	-63.2	-	-	-63.6	-	dBc
OOB <sup>5</sup>	Spurious out-of-band emissions	F <sub>C</sub> = 240 MHz, single 3.84 MHz QPSK, PAR = 7.6 dB	-	-95.2	-	-	-80.4	-	dBm/MHz
		F <sub>C</sub> = 1.9 GHz, single 3.84 MHz QPSK, PAR = 7.6 dB	-	-93.2	-	-	-77.0	-	dBm/MHz
		F <sub>C</sub> = 2.4 GHz, single 3.84 MHz QPSK, PAR = 7.6 dB	-	-94.6	-	-	-78.5	-	dBm/MHz
		F <sub>C</sub> = 3.5 GHz, single 18 MHz 16QAM, PAR = 8.6 dB, F <sub>S</sub> = 9 GS/s	-	-95.3	-	-	-83.5	-	dBm/MHz
		F <sub>C</sub> = 4.9 GHz, single 18 MHz 16QAM, PAR = 8.6 dB, F <sub>S</sub> = 8.5 GS/s	-	-92.2	-	-	-83.4	-	dBm/MHz
		F <sub>C</sub> = 5.9 GHz, single 18 MHz 16QAM, PAR = 8.6 dB	-	-91.2	-	-	-84.2	-	dBm/MHz

Table 138: Main RF-DAC Performance Characteristics for ZU4xDR Devices—Low Noise Mode (cont'd)

Symbol	Parameter	Comments/Conditions <sup>1, 2</sup>	6.4 mA			32 mA			Units
			Min	Typ <sup>3</sup>	Max	Min	Typ <sup>3</sup>	Max	
NSD	Noise spectral density measured with external sampling clock forwarded between tiles	F <sub>OUT</sub> = 240 MHz CW at 0 dBFS	-	-164.3	-163.9	-	-165.6	-165	dBm/Hz
		F <sub>OUT</sub> = 1.9 GHz CW at 0 dBFS	-	-163.5	-	-	-158.2	-	dBm/Hz
		F <sub>OUT</sub> = 2.4 GHz CW at 0 dBFS	-	-163.4	-	-	-157.4	-	dBm/Hz
		F <sub>OUT</sub> = 3.5 GHz at 0 dBFS, F <sub>S</sub> = 9 GS/s	-	-163.2	-162.6	-	-155.8	-154.3	dBm/Hz
		F <sub>OUT</sub> = 4.9 GHz at 0 dBFS, F <sub>S</sub> = 8.5 GS/s	-	-160.8	-159.6	-	-154.5	-152.1	dBm/Hz
		F <sub>OUT</sub> = 5.9 GHz at 0 dBFS	-	-160.2	-	-	-154.4	-	dBm/Hz
		F <sub>OUT</sub> = 240 MHz CW at -10 dBFS	-	-	-	-	-163.9	-	dBm/Hz
		F <sub>OUT</sub> = 1.9 GHz CW at -10 dBFS	-	-	-	-	-162.3	-	dBm/Hz
		F <sub>OUT</sub> = 2.4 GHz CW at -10 dBFS	-	-	-	-	-161.9	-	dBm/Hz
		F <sub>OUT</sub> = 3.5 GHz at -10 dBFS, F <sub>S</sub> = 9 GS/s	-	-	-	-	-161.6	-	dBm/Hz
		F <sub>OUT</sub> = 4.9 GHz at -10 dBFS, F <sub>S</sub> = 8.5 GS/s	-	-	-	-	-158.6	-	dBm/Hz
		F <sub>OUT</sub> = 5.9 GHz at -10 dBFS	-	-	-	-	-156.9	-	dBm/Hz
	Noise spectral density with F <sub>REF</sub> = 500 MHz <sup>6</sup> measured with sampling clock generated from internal RF PLL and forwarded between tiles	F <sub>OUT</sub> = 240 MHz CW at 0 dBFS	-	-164.3	-163.9	-	-165.5	-164.1	dBm/Hz
		F <sub>OUT</sub> = 1.9 GHz CW at 0 dBFS	-	-163.4	-	-	-157.5	-	dBm/Hz
		F <sub>OUT</sub> = 2.4 GHz CW at 0 dBFS	-	-163.1	-	-	-156.1	-	dBm/Hz
		F <sub>OUT</sub> = 240 MHz CW at -10 dBFS	-	-	-	-	-163.9	-	dBm/Hz
		F <sub>OUT</sub> = 1.9 GHz CW at -10 dBFS	-	-	-	-	-162.1	-	dBm/Hz
		F <sub>OUT</sub> = 2.4 GHz CW at -10 dBFS	-	-	-	-	-161.5	-	dBm/Hz
		F <sub>OUT</sub> = 3.5 GHz CW at 0 dBFS, F <sub>S</sub> = 9 GS/s	-	-162.8	-	-	-154.4	-151.3	dBm/Hz
		F <sub>OUT</sub> = 3.5 GHz CW at -10 dBFS, F <sub>S</sub> = 9 GS/s	-	-	-	-	-161	-	dBm/Hz
		F <sub>OUT</sub> = 4.9 GHz CW at 0 dBFS, F <sub>S</sub> = 8.5 GS/s	-	-160.2	-	-	-152.5	-148.6	dBm/Hz
		F <sub>OUT</sub> = 4.9 GHz CW at -10 dBFS, F <sub>S</sub> = 8.5 GS/s	-	-	-	-	-157.9	-	dBm/Hz
F <sub>OUT</sub> = 5.9 GHz CW at 0 dBFS	-	-159.7	-	-	-152.5	-	dBm/Hz		
F <sub>OUT</sub> = 5.9 GHz CW at -10 dBFS	-	-	-	-	-156.5	-	dBm/Hz		

Table 138: Main RF-DAC Performance Characteristics for ZU4xDR Devices—Low Noise Mode (cont'd)

Symbol	Parameter	Comments/Conditions <sup>1, 2</sup>	6.4 mA			32 mA			Units
			Min	Typ <sup>3</sup>	Max	Min	Typ <sup>3</sup>	Max	
SFDR <sup>4</sup>	Spurious free dynamic range excluding second- and third-order harmonic distortion and $F_S/2$	$F_{OUT} = 240$ MHz CW at 0 dBFS	71.9	77.1	-	66.7	73.6	-	dBc
		$F_{OUT} = 1.9$ GHz CW at 0 dBFS	-	73.1	-	-	70.0	-	dBc
		$F_{OUT} = 2.4$ GHz CW at 0 dBFS	-	74.3	-	-	70.0	-	dBc
		$F_{OUT} = 3.5$ GHz CW at 0 dBFS, $F_S = 9$ GS/s	64.7	72.0	-	62.7	70.0	-	dBc
		$F_{OUT} = 4.9$ GHz CW at 0 dBFS, $F_S = 8.5$ GS/s	-	65.9	-	-	66.1	-	dBc
		$F_{OUT} = 5.9$ GHz CW at 0 dBFS	-	64.7	-	-	65.1	-	dBc
		$F_{OUT} = 240$ MHz CW at -10 dBFS	-	-	-	-	72.6	-	dBc
		$F_{OUT} = 1.9$ GHz CW at -10 dBFS	-	-	-	-	67.3	-	dBc
		$F_{OUT} = 2.4$ GHz CW at -10 dBFS	-	-	-	-	69.2	-	dBc
		$F_{OUT} = 3.5$ GHz CW at -10 dBFS, $F_S = 9$ GS/s	-	-	-	60.7	67.1	-	dBc
		$F_{OUT} = 4.9$ GHz CW at -10 dBFS, $F_S = 8.5$ GS/s	-	-	-	56.9	64.0	-	dBc
		$F_{OUT} = 5.9$ GHz CW at -10 dBFS	-	-	-	-	62.9	-	dBc
HD2 <sup>4, 7</sup>	Second-order harmonic distortion	$F_{OUT} = 240$ MHz CW at 0 dBFS	-	-72.9	-	-	-62.8	-	dBc
		$F_{OUT} = 1.9$ GHz CW at 0 dBFS	-	-61.1	-	-	-60.0	-	dBc
		$F_{OUT} = 2.4$ GHz CW at 0 dBFS	-	-58.1	-	-	-59.3	-	dBc
		$F_{OUT} = 3.5$ GHz CW at 0 dBFS, $F_S = 9$ GS/s	-	-63.7	-	-	-59.4	-	dBc
		$F_{OUT} = 4.9$ GHz CW at 0 dBFS, $F_S = 8.5$ GS/s	-	-52.8	-	-	-53.1	-	dBc
		$F_{OUT} = 5.9$ GHz CW at 0 dBFS	-	-50.8	-	-	-50.7	-	dBc
		$F_{OUT} = 240$ MHz CW at -10 dBFS	-	-	-	-	-62.6	-	dBc
		$F_{OUT} = 1.9$ GHz CW at -10 dBFS	-	-	-	-	-59.8	-	dBc
		$F_{OUT} = 2.4$ GHz CW at -10 dBFS	-	-	-	-	-59.5	-	dBc
		$F_{OUT} = 3.5$ GHz CW at -10 dBFS, $F_S = 9$ GS/s	-	-	-	-	-58.6	-	dBc
		$F_{OUT} = 4.9$ GHz CW at -10 dBFS, $F_S = 8.5$ GS/s	-	-	-	-	-52.7	-	dBc
		$F_{OUT} = 5.9$ GHz CW at -10 dBFS	-	-	-	-	-50.5	-	dBc



Table 138: Main RF-DAC Performance Characteristics for ZU4xDR Devices—Low Noise Mode (cont'd)

Symbol	Parameter	Comments/Conditions <sup>1, 2</sup>	6.4 mA			32 mA			Units
			Min	Typ <sup>3</sup>	Max	Min	Typ <sup>3</sup>	Max	
HD3 <sup>4</sup>	Third-order harmonic distortion	F <sub>OUT</sub> = 240 MHz CW at 0 dBFS	-	-78.6	-68.9	-	-73.4	-68.1	dBc
		F <sub>OUT</sub> = 1.9 GHz CW at 0 dBFS	-	-71.0	-	-	-68.0	-	dBc
		F <sub>OUT</sub> = 2.4 GHz CW at 0 dBFS	-	-71.9	-	-	-71.8	-	dBc
		F <sub>OUT</sub> = 3.5 GHz CW at 0 dBFS, F <sub>S</sub> = 9 GS/s	-	-69.4	-62.5	-	-60.2	-51.4	dBc
		F <sub>OUT</sub> = 4.9 GHz CW at 0 dBFS, F <sub>S</sub> = 8.5 GS/s	-	-69.8	-60.5	-	-59.6	-51.4	dBc
		F <sub>OUT</sub> = 5.9 GHz CW at 0 dBFS	-	-69.7	-	-	-60.0	-	dBc
		F <sub>OUT</sub> = 240 MHz CW at -10 dBFS	-	-	-	-	-73.1	-	dBc
		F <sub>OUT</sub> = 1.9 GHz CW at -10 dBFS	-	-	-	-	-67.2	-	dBc
		F <sub>OUT</sub> = 2.4 GHz CW at -10 dBFS	-	-	-	-	-65.4	-	dBc
		F <sub>OUT</sub> = 3.5 GHz CW at -10 dBFS, F <sub>S</sub> = 9 GS/s	-	-	-	-	-60.4	-50.9	dBc
		F <sub>OUT</sub> = 4.9 GHz CW at -10 dBFS, F <sub>S</sub> = 8.5 GS/s	-	-	-	-	-62.5	-50.8	dBc
		F <sub>OUT</sub> = 5.9 GHz CW at -10 dBFS	-	-	-	-	-60.3	-	dBc

Table 138: Main RF-DAC Performance Characteristics for ZU4xDR Devices—Low Noise Mode (cont'd)

Symbol	Parameter	Comments/Conditions <sup>1, 2</sup>	6.4 mA			32 mA			Units
			Min	Typ <sup>3</sup>	Max	Min	Typ <sup>3</sup>	Max	
IM3 <sup>4</sup>	Two-tone, third-order inter-modulation distortion	F <sub>OUT</sub> = 240 MHz F <sub>1</sub> , F <sub>2</sub> at -6 dBFS, Δf = 20 MHz	-	-80.5	-70.6	-	-82.5	-73.5	dBc
		F <sub>OUT</sub> = 1.9 GHz F <sub>1</sub> , F <sub>2</sub> at -6 dBFS, Δf = 20 MHz	-	-74.2	-	-	-73.4	-	dBc
		F <sub>OUT</sub> = 2.4 GHz F <sub>1</sub> , F <sub>2</sub> at -6 dBFS, Δf = 20 MHz	-	-72.4	-	-	-73.3	-	dBc
		F <sub>OUT</sub> = 3.5 GHz, F <sub>S</sub> = 9 GS/s F <sub>1</sub> , F <sub>2</sub> at -6 dBFS, Δf = 20 MHz	-	-69.3	-62.8	-	-72.6	-62.2	dBc
		F <sub>OUT</sub> = 4.9 GHz, F <sub>S</sub> = 8.5 GS/s F <sub>1</sub> , F <sub>2</sub> at -6 dBFS, Δf = 20 MHz	-	-70.8	-63.5	-	-64.3	-55.3	dBc
		F <sub>OUT</sub> = 5.9 GHz F <sub>1</sub> , F <sub>2</sub> at -6 dBFS, Δf = 20 MHz	-	-70.7	-	-	-63.7	-	dBc
		F <sub>OUT</sub> = 240 MHz F <sub>1</sub> , F <sub>2</sub> at -16 dBFS, Δf = 20 MHz	-	-	-	-	-73.5	-	dBc
		F <sub>OUT</sub> = 1.9 GHz F <sub>1</sub> , F <sub>2</sub> at -16 dBFS, Δf = 20 MHz	-	-	-	-	-70.5	-	dBc
		F <sub>OUT</sub> = 2.4 GHz F <sub>1</sub> , F <sub>2</sub> at -16 dBFS, Δf = 20 MHz	-	-	-	-	-68.3	-	dBc
		F <sub>OUT</sub> = 3.5 GHz, F <sub>S</sub> = 9 GS/s F <sub>1</sub> , F <sub>2</sub> at -16 dBFS, Δf = 20 MHz	-	-	-	-	-66.9	-57.4	dBc
		F <sub>OUT</sub> = 4.9 GHz, F <sub>S</sub> = 8.5 GS/s F <sub>1</sub> , F <sub>2</sub> at -16 dBFS, Δf = 20 MHz	-	-	-	-	-66.6	-56.6	dBc
		F <sub>OUT</sub> = 5.9 GHz F <sub>1</sub> , F <sub>2</sub> at -16 dBFS, Δf = 20 MHz	-	-	-	-	-65.9	-	dBc

**Notes:**

- RF-DAC sampling rate is 10 GS/s using an external sampling clock, except when specified. DAC configured in real mode, PAR is computed on the real digital waveform at the DAC input:  $10 \cdot \log_{10}(\max(\text{dac\_input}^2)/\text{mean}(\text{dac\_input}^2))$ . The PAR of the complex base-band version (relative to envelope) of the same signal is approximately 3 dB less.
- The DAC tiles are characterized using the on-chip clock forwarding configuration from tile 1 (bank 229), except when mentioned in the parameter condition column.
- Typical values are specified at nominal voltage, T<sub>j</sub> = 40°C.
- A derating of 1.5 dB is applied to the worst-case value when using DC coupling with the VOP feature.
- Excludes HD2, HD3.
- See the *Zynq UltraScale+ RFSoc RF Data Converter LogiCORE IP Product Guide* (PG269) for internal PLL information.
- HD2 measurement is heavily influenced by the intrinsic phase imbalance (P to N skew) presented by interconnect such as baluns, cabling, and PCB traces between the DAC output and spectrum analyzer input. The results presented here include the effect of these systematic skews.

Table 139: RF-DAC Mode Performance Benchmark for ZU4xDR Devices

Symbol	Parameter	Comments/Conditions <sup>1, 2</sup>	20 mA Low Noise Mode			20 mA High Linearity Mode			Units
			Min	Typ <sup>3</sup>	Max	Min	Typ <sup>3</sup>	Max	
ACLR <sup>4</sup>	Adjacent channel leakage ratio measured with external sampling clock forwarded between tiles	F <sub>C</sub> = 240 MHz, single 3.84 MHz QPSK, PAR = 7.6 dB	-	-85.0	-80.7	-	-83.0	-77.7	dBc
		F <sub>C</sub> = 1.9 GHz, single 3.84 MHz QPSK, PAR = 7.6 dB	-	-79.4	-	-	-82.8	-	dBc
		F <sub>C</sub> = 2.4 GHz, single 3.84 MHz QPSK, PAR = 7.6 dB	-	-78.4	-	-	-81.4	-	dBc
		F <sub>C</sub> = 3.5 GHz, single 18 MHz 16QAM, PAR = 8.6 dB, F <sub>S</sub> = 9 GS/s	-	-73.6	-68.0	-	-74.2	-68.5	dBc
		F <sub>C</sub> = 4.9 GHz, single 18 MHz 16QAM, PAR = 8.6 dB, F <sub>S</sub> = 8.5 GS/s	-	-71.5	-66.0	-	-71.9	-68.5	dBc
		F <sub>C</sub> = 5.9 GHz, single 18 MHz 16QAM, PAR = 8.6 dB	-	-71.5	-	-	-72.4	-	dBc
	Adjacent channel leakage ratio with F <sub>REF</sub> = 500 MHz <sup>6</sup> measured with sampling clock generated from internal RF PLL and forwarded between tiles	F <sub>C</sub> = 3.5 GHz, single 18 MHz 16QAM, PAR = 8.6 dB, F <sub>S</sub> = 9 GS/s	-	-68.0	-	-	-68.2	-	dBc
		F <sub>C</sub> = 4.9 GHz, single 18 MHz 16QAM, PAR = 8.6 dB, F <sub>S</sub> = 8.5 GS/s	-	-65.8	-	-	-65.9	-	dBc
		F <sub>C</sub> = 5.9 GHz, single 18 MHz 16QAM, PAR = 8.6 dB	-	-64.1	-	-	-64.3	-	dBc
OOB <sup>5</sup>	Spurious out-of-band emissions	F <sub>C</sub> = 240 MHz, single 3.84 MHz QPSK, PAR = 7.6 dB	-	-83.7	-	-	-83.7	-	dBm/MHz
		F <sub>C</sub> = 1.9 GHz, single 3.84 MHz QPSK, PAR = 7.6 dB	-	-85.1	-	-	-90.5	-	dBm/MHz
		F <sub>C</sub> = 2.4 GHz, single 3.84 MHz QPSK, PAR = 7.6 dB	-	-85.6	-	-	-91.0	-	dBm/MHz
		F <sub>C</sub> = 3.5 GHz, single 18 MHz 16QAM, PAR = 8.6 dB, F <sub>S</sub> = 9 GS/s	-	-88.5	-	-	-91.3	-	dBm/MHz
		F <sub>C</sub> = 4.9 GHz, single 18 MHz 16QAM, PAR = 8.6 dB, F <sub>S</sub> = 8.5 GS/s	-	-88.7	-	-	-85.6	-	dBm/MHz
		F <sub>C</sub> = 5.9 GHz, single 18 MHz 16QAM, PAR = 8.6 dB	-	-88.8	-	-	-85.4	-	dBm/MHz

Table 139: RF-DAC Mode Performance Benchmark for ZU4xDR Devices (cont'd)

Symbol	Parameter	Comments/Conditions <sup>1,2</sup>	20 mA Low Noise Mode			20 mA High Linearity Mode			Units
			Min	Typ <sup>3</sup>	Max	Min	Typ <sup>3</sup>	Max	
NSD	Noise spectral density measured with external sampling clock forwarded between tiles	F <sub>OUT</sub> = 240 MHz CW at 0 dBFS	-	-164.4	-163.9	-	-158.4	-152	dBm/Hz
		F <sub>OUT</sub> = 1.9 GHz CW at 0 dBFS	-	-160.4	-	-	-157.5	-	dBm/Hz
		F <sub>OUT</sub> = 2.4 GHz CW at 0 dBFS	-	-159.9	-	-	-157.4	-	dBm/Hz
		F <sub>OUT</sub> = 3.5 GHz at 0 dBFS, F <sub>S</sub> = 9 GS/s	-	-158.8	-157.5	-	-155.6	-150.6	dBm/Hz
		F <sub>OUT</sub> = 4.9 GHz at 0 dBFS, F <sub>S</sub> = 8.5 GS/s	-	-157.3	-155.2	-	-156.1	-153.4	dBm/Hz
		F <sub>OUT</sub> = 5.9 GHz at 0 dBFS	-	-157.0	-	-	-155.8	-	dBm/Hz
		F <sub>OUT</sub> = 240 MHz CW at -10 dBFS	-	-163.8	-	-	-161.2	-	dBm/Hz
		F <sub>OUT</sub> = 1.9 GHz CW at -10 dBFS	-	-163.0	-	-	-156.4	-	dBm/Hz
		F <sub>OUT</sub> = 2.4 GHz CW at -10 dBFS	-	-162.9	-	-	-155.3	-	dBm/Hz
		F <sub>OUT</sub> = 3.5 GHz at -10 dBFS, F <sub>S</sub> = 9 GS/s	-	-162.7	-	-	-153.9	-	dBm/Hz
		F <sub>OUT</sub> = 4.9 GHz at -10 dBFS, F <sub>S</sub> = 8.5 GS/s	-	-159.9	-	-	-158.1	-	dBm/Hz
		F <sub>OUT</sub> = 5.9 GHz at -10 dBFS	-	-158.3	-	-	-156.8	-	dBm/Hz
	Noise spectral density with F <sub>REF</sub> = 500 MHz <sup>6</sup> measured with sampling clock generated from internal RF PLL and forwarded between tiles	F <sub>OUT</sub> = 240 MHz CW at 0 dBFS	-	-164.3	-163.7	-	-158.4	-152.0	dBm/Hz
		F <sub>OUT</sub> = 1.9 GHz CW at 0 dBFS	-	-159.9	-	-	-157.3	-	dBm/Hz
		F <sub>OUT</sub> = 2.4 GHz CW at 0 dBFS	-	-158.9	-	-	-156.8	-	dBm/Hz
		F <sub>OUT</sub> = 240 MHz CW at -10 dBFS	-	-163.8	-	-	-161.3	-	dBm/Hz
		F <sub>OUT</sub> = 1.9 GHz CW at -10 dBFS	-	-162.9	-	-	-156.5	-	dBm/Hz
		F <sub>OUT</sub> = 2.4 GHz CW at -10 dBFS	-	-162.6	-	-	-155.3	-	dBm/Hz
		F <sub>OUT</sub> = 3.5 GHz CW at 0 dBFS, F <sub>S</sub> = 9 GS/s	-	-157.6	-154.9	-	-155	-150.4	dBm/Hz
		F <sub>OUT</sub> = 3.5 GHz CW at -10 dBFS, F <sub>S</sub> = 9 GS/s	-	-162.4	-	-	-154	-	dBm/Hz
		F <sub>OUT</sub> = 4.9 GHz CW at 0 dBFS, F <sub>S</sub> = 8.5 GS/s	-	-155.6	-	-	-154.8	-	dBm/Hz
		F <sub>OUT</sub> = 4.9 GHz CW at -10 dBFS, F <sub>S</sub> = 8.5 GS/s	-	-159.6	-	-	-157.9	-	dBm/Hz
F <sub>OUT</sub> = 5.9 GHz CW at 0 dBFS	-	-155.5	-	-	-154.6	-	dBm/Hz		
F <sub>OUT</sub> = 5.9 GHz CW at -10 dBFS	-	-158.1	-	-	-156.7	-	dBm/Hz		

Table 139: RF-DAC Mode Performance Benchmark for ZU4xDR Devices (cont'd)

Symbol	Parameter	Comments/Conditions <sup>1, 2</sup>	20 mA Low Noise Mode			20 mA High Linearity Mode			Units
			Min	Typ <sup>3</sup>	Max	Min	Typ <sup>3</sup>	Max	
SFDR <sup>4</sup>	Spurious free dynamic range excluding second- and third-order harmonic distortion and $F_s/2$	$F_{OUT} = 240$ MHz CW at 0 dBFS	71.0	78.0	-	78.3	80.4	-	dBc
		$F_{OUT} = 1.9$ GHz CW at 0 dBFS	-	74.5	-	-	79.8	-	dBc
		$F_{OUT} = 2.4$ GHz CW at 0 dBFS	-	73.6	-	-	78.7	-	dBc
		$F_{OUT} = 3.5$ GHz CW at 0 dBFS, $F_s = 9$ GS/s (E/I speed grade)	65.1	71.8	-	70.5	77.7	-	dBc
		$F_{OUT} = 3.5$ GHz CW at 0 dBFS, $F_s = 9$ GS/s (M speed grade)	64.9	71.8	-	69.8	77.7	-	dBc
		$F_{OUT} = 4.9$ GHz CW at 0 dBFS, $F_s = 8.5$ GS/s	61.2	68.0	-	65.7	73.8	-	dBc
		$F_{OUT} = 5.9$ GHz CW at 0 dBFS	-	66.9	-	-	72.3	-	dBc
		$F_{OUT} = 240$ MHz CW at -10 dBFS	-	73.5	-	-	79.4	-	dBc
		$F_{OUT} = 1.9$ GHz CW at -10 dBFS	-	70.8	-	-	78.1	-	dBc
		$F_{OUT} = 2.4$ GHz CW at -10 dBFS	-	70.0	-	-	77.7	-	dBc
		$F_{OUT} = 3.5$ GHz CW at -10 dBFS, $F_s = 9$ GS/s (E/I speed grade)	60.9	66.8	-	71.6	75.9	-	dBc
		$F_{OUT} = 3.5$ GHz CW at -10 dBFS, $F_s = 9$ GS/s (M speed grade)	60.6	66.8	-	67.0	75.9	-	dBc
		$F_{OUT} = 4.9$ GHz CW at -10 dBFS, $F_s = 8.5$ GS/s	57.3	63.8	-	66.2	70.4	-	dBc
$F_{OUT} = 5.9$ GHz CW at -10 dBFS	-	62.7	-	-	69.0	-	dBc		
HD2 <sup>4, 7</sup>	Second-order harmonic distortion	$F_{OUT} = 240$ MHz CW at 0 dBFS	-	-71.8	-	-	-87.5	-	dBc
		$F_{OUT} = 1.9$ GHz CW at 0 dBFS	-	-64.9	-	-	-77.5	-	dBc
		$F_{OUT} = 2.4$ GHz CW at 0 dBFS	-	-63.0	-	-	-71.9	-	dBc
		$F_{OUT} = 3.5$ GHz CW at 0 dBFS, $F_s = 9$ GS/s	-	-66.1	-	-	-74.1	-	dBc
		$F_{OUT} = 4.9$ GHz CW at 0 dBFS, $F_s = 8.5$ GS/s	-	-55.9	-	-	-62.8	-	dBc
		$F_{OUT} = 5.9$ GHz CW at 0 dBFS	-	-53.1	-	-	-59.0	-	dBc
		$F_{OUT} = 240$ MHz CW at -10 dBFS	-	-70.9	-	-	-87.4	-	dBc
		$F_{OUT} = 1.9$ GHz CW at -10 dBFS	-	-64.0	-	-	-77.3	-	dBc
		$F_{OUT} = 2.4$ GHz CW at -10 dBFS	-	-62.7	-	-	-70.6	-	dBc
		$F_{OUT} = 3.5$ GHz CW at -10 dBFS, $F_s = 9$ GS/s	-	-63.3	-	-	-74.5	-	dBc
		$F_{OUT} = 4.9$ GHz CW at -10 dBFS, $F_s = 8.5$ GS/s	-	-55.0	-	-	-62.5	-	dBc
		$F_{OUT} = 5.9$ GHz CW at -10 dBFS	-	-52.2	-	-	-58.6	-	dBc

Table 139: RF-DAC Mode Performance Benchmark for ZU4xDR Devices (cont'd)

Symbol	Parameter	Comments/Conditions <sup>1, 2</sup>	20 mA Low Noise Mode			20 mA High Linearity Mode			Units
			Min	Typ <sup>3</sup>	Max	Min	Typ <sup>3</sup>	Max	
HD3 <sup>4</sup>	Third-order harmonic distortion	F <sub>OUT</sub> = 240 MHz CW at 0 dBFS	-	-78.8	-69.7	-	-83.1	-79.8	dBc
		F <sub>OUT</sub> = 1.9 GHz CW at 0 dBFS	-	-71.4	-	-	-71.9	-	dBc
		F <sub>OUT</sub> = 2.4 GHz CW at 0 dBFS	-	-72.5	-	-	-74.2	-	dBc
		F <sub>OUT</sub> = 3.5 GHz CW at 0 dBFS, F <sub>S</sub> = 9 GS/s	-	-67.5	-58.6	-	-69.6	-59.5	dBc
		F <sub>OUT</sub> = 4.9 GHz CW at 0 dBFS, F <sub>S</sub> = 8.5 GS/s	-	-66.4	-57.5	-	-67.1	-61.8	dBc
		F <sub>OUT</sub> = 5.9 GHz CW at 0 dBFS	-	-67.4	-	-	-68.2	-	dBc
		F <sub>OUT</sub> = 240 MHz CW at -10 dBFS	-	-77.1	-	-	-87.7	-	dBc
		F <sub>OUT</sub> = 1.9 GHz CW at -10 dBFS	-	-68.6	-	-	-84.2	-	dBc
		F <sub>OUT</sub> = 2.4 GHz CW at -10 dBFS	-	-68.4	-	-	-84.8	-	dBc
		F <sub>OUT</sub> = 3.5 GHz CW at -10 dBFS, F <sub>S</sub> = 9 GS/s	-	-66.7	-56.4	-	-73.7	-65.1	dBc
		F <sub>OUT</sub> = 4.9 GHz CW at -10 dBFS, F <sub>S</sub> = 8.5 GS/s	-	-65.6	-53.4	-	-78.7	-74.8	dBc
		F <sub>OUT</sub> = 5.9 GHz CW at -10 dBFS	-	-63.7	-	-	-78.0	-	dBc

Table 139: RF-DAC Mode Performance Benchmark for ZU4xDR Devices (cont'd)

Symbol	Parameter	Comments/Conditions <sup>1, 2</sup>	20 mA Low Noise Mode			20 mA High Linearity Mode			Units
			Min	Typ <sup>3</sup>	Max	Min	Typ <sup>3</sup>	Max	
IM3 <sup>4</sup>	Two-tone, third-order inter-modulation distortion	F <sub>OUT</sub> = 240 MHz F <sub>1</sub> , F <sub>2</sub> at -6 dBFS, Δf = 20 MHz	-	-83.3	-73.8	-	-89.3	-86.8	dBc
		F <sub>OUT</sub> = 1.9 GHz F <sub>1</sub> , F <sub>2</sub> at -6 dBFS, Δf = 20 MHz	-	-78.0	-	-	-86.4	-	dBc
		F <sub>OUT</sub> = 2.4 GHz F <sub>1</sub> , F <sub>2</sub> at -6 dBFS, Δf = 20 MHz	-	-76.6	-	-	-82.0	-	dBc
		F <sub>OUT</sub> = 3.5 GHz, F <sub>S</sub> = 9 GS/s F <sub>1</sub> , F <sub>2</sub> at -6 dBFS, Δf = 20 MHz	-	-75.3	-66.8	-	-73.3	-63.5	dBc
		F <sub>OUT</sub> = 4.9 GHz, F <sub>S</sub> = 8.5 GS/s F <sub>1</sub> , F <sub>2</sub> at -6 dBFS, Δf = 20 MHz	-	-72.3	-61.3	-	-71.0	-64.8	dBc
		F <sub>OUT</sub> = 5.9 GHz F <sub>1</sub> , F <sub>2</sub> at -6 dBFS, Δf = 20 MHz	-	-72	-	-	-70.7	-	dBc
		F <sub>OUT</sub> = 240 MHz F <sub>1</sub> , F <sub>2</sub> at -16 dBFS, Δf = 20 MHz	-	-80.6	-	-	-89.1	-	dBc
		F <sub>OUT</sub> = 1.9 GHz F <sub>1</sub> , F <sub>2</sub> at -16 dBFS, Δf = 20 MHz	-	-72.3	-	-	-82.0	-	dBc
		F <sub>OUT</sub> = 2.4 GHz F <sub>1</sub> , F <sub>2</sub> at -16 dBFS, Δf = 20 MHz	-	-69.7	-	-	-79.7	-	dBc
		F <sub>OUT</sub> = 3.5 GHz, F <sub>S</sub> = 9 GS/s F <sub>1</sub> , F <sub>2</sub> at -16 dBFS, Δf = 20 MHz	-	-67.8	-57.7	-	-78.5	-75.1	dBc
		F <sub>OUT</sub> = 4.9 GHz, F <sub>S</sub> = 8.5 GS/s F <sub>1</sub> , F <sub>2</sub> at -16 dBFS, Δf = 20 MHz	-	-66.9	-56.9	-	-73.3	-70.9	dBc
		F <sub>OUT</sub> = 5.9 GHz F <sub>1</sub> , F <sub>2</sub> at -16 dBFS, Δf = 20 MHz	-	-65.6	-	-	-73.2	-	dBc

**Notes:**

1. RF-DAC sampling rate is 10 GS/s using an external sampling clock, except when specified. PAR is defined by  $10 \cdot \log_{10}(\max(\text{RF\_signal}^2) / \text{mean}(\text{RF\_signal}^2))$ .
2. The DAC tiles are characterized using the on-chip clock forwarding configuration from tile 1 (bank 229), except when mentioned in the parameter condition column.
3. Typical values are specified at nominal voltage, T<sub>j</sub> = 40°C.
4. A derating of 1.5 dB is applied to the worst-case value when using DC coupling with the VOP feature.
5. Excludes HD2, HD3.
6. See *Zynq UltraScale+ RFSoc RF Data Converter LogiCORE IP Product Guide (PG269)* for internal PLL information.
7. HD2 measurement is heavily influenced by the intrinsic phase imbalance (P to N skew) presented by interconnect such as baluns, cabling, and PCB traces between the DAC output and spectrum analyzer input. The results presented here include the effect of these systematic skews.

Table 140: Main RF-DAC Performance Characteristics for ZU6xDR Devices–Low Noise Mode

Symbol	Parameter	Comments/Conditions <sup>1, 2</sup>	6.4 mA			32 mA			Units
			Min	Typ <sup>3</sup>	Max	Min	Typ <sup>3</sup>	Max	
ACLR <sup>4</sup>	Adjacent channel leakage ratio measured with external sampling clock forwarded between tiles	F <sub>C</sub> = 240 MHz, single 3.84 MHz QPSK, PAR = 7.6 dB	-	-81.1	-	-	-81.1	-	dBc
		F <sub>C</sub> = 1.9 GHz, single 3.84 MHz QPSK, PAR = 7.6 dB	-	-76.6	-	-	-77.6	-	dBc
		F <sub>C</sub> = 2.4 GHz, single 3.84 MHz QPSK, PAR = 7.6 dB	-	-75.1	-	-	-76.9	-	dBc
		F <sub>C</sub> = 3.5 GHz, single 18 MHz 16QAM, PAR = 8.6 dB, F <sub>S</sub> = 9 GS/s	-	-68.6	-	-	-73.4	-	dBc
		F <sub>C</sub> = 4.9 GHz, single 18 MHz 16QAM, PAR = 8.6 dB, F <sub>S</sub> = 8.5 GS/s	-	-66.5	-	-	-69.2	-	dBc
		F <sub>C</sub> = 5.9 GHz, single 18 MHz 16QAM, PAR = 8.6 dB	-	-67.3	-	-	-69.6	-	dBc
		F <sub>C</sub> = 6.9 GHz, single 18 MHz 16QAM, PAR = 8.6 dB	-	-67.2	-	-	-68.7	-	dBc
	Adjacent channel leakage ratio with F <sub>REF</sub> = 500 MHz <sup>6</sup> measured with sampling clock generated from internal RF PLL and forwarded between tiles	F <sub>C</sub> = 3.5 GHz, single 18 MHz 16QAM, PAR = 8.6 dB, F <sub>S</sub> = 9 GS/s	-	-66.1	-	-	-67.9	-	dBc
		F <sub>C</sub> = 4.9 GHz, single 18 MHz 16QAM, PAR = 8.6 dB, F <sub>S</sub> = 8.5 GS/s	-	-64.2	-	-	-64.9	-	dBc
		F <sub>C</sub> = 5.9 GHz, single 18 MHz 16QAM, PAR = 8.6 dB	-	-63.2	-	-	-63.6	-	dBc
F <sub>C</sub> = 6.9 GHz, single 18 MHz 16QAM, PAR = 8.6 dB		-	-62.3	-	-	-62.6	-	dBc	
OOB <sup>5</sup>	Spurious out-of-band emissions	F <sub>C</sub> = 240 MHz, single 3.84 MHz QPSK, PAR = 7.6 dB	-	-95.2	-	-	-80.4	-	dBm/MHz
		F <sub>C</sub> = 1.9 GHz, single 3.84 MHz QPSK, PAR = 7.6 dB	-	-93.2	-	-	-77.0	-	dBm/MHz
		F <sub>C</sub> = 2.4 GHz, single 3.84 MHz QPSK, PAR = 7.6 dB	-	-94.6	-	-	-78.5	-	dBm/MHz
		F <sub>C</sub> = 3.5 GHz, single 18 MHz 16QAM, PAR = 8.6 dB, F <sub>S</sub> = 9 GS/s	-	-95.3	-	-	-83.5	-	dBm/MHz
		F <sub>C</sub> = 4.9 GHz, single 18 MHz 16QAM, PAR = 8.6 dB, F <sub>S</sub> = 8.5 GS/s	-	-92.2	-	-	-83.4	-	dBm/MHz
		F <sub>C</sub> = 5.9 GHz, single 18 MHz 16QAM, PAR = 8.6 dB	-	-91.2	-	-	-84.2	-	dBm/MHz
		F <sub>C</sub> = 6.9 GHz, single 18 MHz 16QAM, PAR = 8.6 dB	-	-89.7	-	-	-82.9	-	dBm/MHz



Table 140: Main RF-DAC Performance Characteristics for ZU6xDR Devices—Low Noise Mode (cont'd)

Symbol	Parameter	Comments/Conditions <sup>1, 2</sup>	6.4 mA			32 mA			Units
			Min	Typ <sup>3</sup>	Max	Min	Typ <sup>3</sup>	Max	
NSD	Noise spectral density measured with external sampling clock forwarded between tiles	F <sub>OUT</sub> = 240 MHz CW at 0 dBFS	-	-164.3	-	-	-165.6	-	dBm/Hz
		F <sub>OUT</sub> = 1.9 GHz CW at 0 dBFS	-	-163.5	-	-	-158.2	-	dBm/Hz
		F <sub>OUT</sub> = 2.4 GHz CW at 0 dBFS	-	-163.4	-	-	-157.4	-	dBm/Hz
		F <sub>OUT</sub> = 3.5 GHz at 0 dBFS, F <sub>S</sub> = 9 GS/s	-	-163.2	-	-	-155.8	-	dBm/Hz
		F <sub>OUT</sub> = 4.9 GHz at 0 dBFS, F <sub>S</sub> = 8.5 GS/s	-	-160.8	-	-	-154.5	-	dBm/Hz
		F <sub>OUT</sub> = 5.9 GHz at 0 dBFS	-	-160.2	-	-	-154.4	-	dBm/Hz
		F <sub>OUT</sub> = 6.9 GHz at 0 dBFS	-	-160.2	-	-	-154.1	-	dBm/Hz
		F <sub>OUT</sub> = 240 MHz CW at -10 dBFS	-	-	-	-	-163.9	-	dBm/Hz
		F <sub>OUT</sub> = 1.9 GHz CW at -10 dBFS	-	-	-	-	-162.3	-	dBm/Hz
		F <sub>OUT</sub> = 2.4 GHz CW at -10 dBFS	-	-	-	-	-161.9	-	dBm/Hz
		F <sub>OUT</sub> = 3.5 GHz at -10 dBFS, F <sub>S</sub> = 9 GS/s	-	-	-	-	-161.6	-	dBm/Hz
		F <sub>OUT</sub> = 4.9 GHz at -10 dBFS, F <sub>S</sub> = 8.5 GS/s	-	-	-	-	-158.6	-	dBm/Hz
		F <sub>OUT</sub> = 5.9 GHz at -10 dBFS	-	-	-	-	-156.9	-	dBm/Hz
		F <sub>OUT</sub> = 6.9 GHz at -10 dBFS	-	-	-	-	-158.9	-	dBm/Hz
	Noise spectral density with F <sub>REF</sub> = 500 MHz <sup>6</sup> measured with sampling clock generated from internal RF PLL and forwarded between tiles	F <sub>OUT</sub> = 240 MHz CW at 0 dBFS	-	-164.3	-	-	-165.5	-	dBm/Hz
		F <sub>OUT</sub> = 1.9 GHz CW at 0 dBFS	-	-163.4	-	-	-157.5	-	dBm/Hz
		F <sub>OUT</sub> = 2.4 GHz CW at 0 dBFS	-	-163.1	-	-	-156.1	-	dBm/Hz
		F <sub>OUT</sub> = 240 MHz CW at -10 dBFS	-	-	-	-	-163.9	-	dBm/Hz
		F <sub>OUT</sub> = 1.9 GHz CW at -10 dBFS	-	-	-	-	-162.1	-	dBm/Hz
		F <sub>OUT</sub> = 2.4 GHz CW at -10 dBFS	-	-	-	-	-161.5	-	dBm/Hz
		F <sub>OUT</sub> = 3.5 GHz CW at 0 dBFS, F <sub>S</sub> = 9 GS/s	-	-162.8	-	-	-154.4	-	dBm/Hz
		F <sub>OUT</sub> = 3.5 GHz CW at -10 dBFS, F <sub>S</sub> = 9 GS/s	-	-	-	-	-161.0	-	dBm/Hz
		F <sub>OUT</sub> = 4.9 GHz CW at 0 dBFS, F <sub>S</sub> = 8.5 GS/s	-	-160.2	-	-	-152.5	-	dBm/Hz
		F <sub>OUT</sub> = 4.9 GHz CW at -10 dBFS, F <sub>S</sub> = 8.5 GS/s	-	-	-	-	-157.9	-	dBm/Hz
F <sub>OUT</sub> = 5.9 GHz CW at 0 dBFS	-	-159.7	-	-	-152.5	-	dBm/Hz		
F <sub>OUT</sub> = 5.9 GHz CW at -10 dBFS	-	-	-	-	-156.5	-	dBm/Hz		
F <sub>OUT</sub> = 6.9 GHz CW at 0 dBFS	-	-159.7	-	-	-152.2	-	dBm/Hz		
F <sub>OUT</sub> = 6.9 GHz CW at -10 dBFS	-	-	-	-	-158.2	-	dBm/Hz		

Table 140: Main RF-DAC Performance Characteristics for ZU6xDR Devices—Low Noise Mode (cont'd)

Symbol	Parameter	Comments/Conditions <sup>1, 2</sup>	6.4 mA			32 mA			Units
			Min	Typ <sup>3</sup>	Max	Min	Typ <sup>3</sup>	Max	
SFDR <sup>4</sup>	Spurious free dynamic range excluding second- and third-order harmonic distortion and $F_S/2$	$F_{OUT} = 240$ MHz CW at 0 dBFS	-	77.1	-	-	73.6	-	dBc
		$F_{OUT} = 1.9$ GHz CW at 0 dBFS	-	73.1	-	-	70.0	-	dBc
		$F_{OUT} = 2.4$ GHz CW at 0 dBFS	-	74.3	-	-	70.0	-	dBc
		$F_{OUT} = 3.5$ GHz CW at 0 dBFS, $F_S = 9$ GS/s	-	72.0	-	-	70.0	-	dBc
		$F_{OUT} = 4.9$ GHz CW at 0 dBFS, $F_S = 8.5$ GS/s	-	65.9	-	-	66.1	-	dBc
		$F_{OUT} = 5.9$ GHz CW at 0 dBFS	-	64.7	-	-	65.1	-	dBc
		$F_{OUT} = 6.9$ GHz CW at 0 dBFS	-	65.2	-	-	67.6	-	dBc
		$F_{OUT} = 240$ MHz CW at -10 dBFS	-	-	-	-	72.6	-	dBc
		$F_{OUT} = 1.9$ GHz CW at -10 dBFS	-	-	-	-	67.3	-	dBc
		$F_{OUT} = 2.4$ GHz CW at -10 dBFS	-	-	-	-	69.2	-	dBc
		$F_{OUT} = 3.5$ GHz CW at -10 dBFS, $F_S = 9$ GS/s	-	-	-	-	67.1	-	dBc
		$F_{OUT} = 4.9$ GHz CW at -10 dBFS, $F_S = 8.5$ GS/s	-	-	-	-	64.0	-	dBc
		$F_{OUT} = 5.9$ GHz CW at -10 dBFS	-	-	-	-	62.9	-	dBc
		$F_{OUT} = 6.9$ GHz CW at -10 dBFS	-	-	-	-	63.2	-	dBc
HD2 <sup>4, 7</sup>	Second-order harmonic distortion	$F_{OUT} = 240$ MHz CW at 0 dBFS	-	-72.9	-	-	-62.8	-	dBc
		$F_{OUT} = 1.9$ GHz CW at 0 dBFS	-	-61.1	-	-	-60.0	-	dBc
		$F_{OUT} = 2.4$ GHz CW at 0 dBFS	-	-58.1	-	-	-59.3	-	dBc
		$F_{OUT} = 3.5$ GHz CW at 0 dBFS, $F_S = 9$ GS/s	-	-63.7	-	-	-59.4	-	dBc
		$F_{OUT} = 4.9$ GHz CW at 0 dBFS, $F_S = 8.5$ GS/s	-	-52.8	-	-	-53.1	-	dBc
		$F_{OUT} = 5.9$ GHz CW at 0 dBFS	-	-50.8	-	-	-50.7	-	dBc
		$F_{OUT} = 6.9$ GHz CW at 0 dBFS	-	-53.8	-	-	-53.4	-	dBc
		$F_{OUT} = 240$ MHz CW at -10 dBFS	-	-	-	-	-62.6	-	dBc
		$F_{OUT} = 1.9$ GHz CW at -10 dBFS	-	-	-	-	-59.8	-	dBc
		$F_{OUT} = 2.4$ GHz CW at -10 dBFS	-	-	-	-	-59.5	-	dBc
		$F_{OUT} = 3.5$ GHz CW at -10 dBFS, $F_S = 9$ GS/s	-	-	-	-	-58.6	-	dBc
		$F_{OUT} = 4.9$ GHz CW at -10 dBFS, $F_S = 8.5$ GS/s	-	-	-	-	-52.7	-	dBc
		$F_{OUT} = 5.9$ GHz CW at -10 dBFS	-	-	-	-	-50.5	-	dBc
		$F_{OUT} = 6.9$ GHz CW at -10 dBFS	-	-	-	-	-53.1	-	dBc

Table 140: Main RF-DAC Performance Characteristics for ZU6xDR Devices—Low Noise Mode (cont'd)

Symbol	Parameter	Comments/Conditions <sup>1, 2</sup>	6.4 mA			32 mA			Units
			Min	Typ <sup>3</sup>	Max	Min	Typ <sup>3</sup>	Max	
HD3 <sup>4</sup>	Third-order harmonic distortion	F <sub>OUT</sub> = 240 MHz CW at 0 dBFS	-	-78.6	-	-	-73.4	-	dBc
		F <sub>OUT</sub> = 1.9 GHz CW at 0 dBFS	-	-71.0	-	-	-68.0	-	dBc
		F <sub>OUT</sub> = 2.4 GHz CW at 0 dBFS	-	-71.9	-	-	-71.8	-	dBc
		F <sub>OUT</sub> = 3.5 GHz CW at 0 dBFS, F <sub>S</sub> = 9 GS/s	-	-69.4	-	-	-60.2	-	dBc
		F <sub>OUT</sub> = 4.9 GHz CW at 0 dBFS, F <sub>S</sub> = 8.5 GS/s	-	-69.8	-	-	-59.6	-	dBc
		F <sub>OUT</sub> = 5.9 GHz CW at 0 dBFS	-	-69.7	-	-	-60.0	-	dBc
		F <sub>OUT</sub> = 6.9 GHz CW at 0 dBFS	-	-64.5	-	-	-63.2	-	dBc
		F <sub>OUT</sub> = 240 MHz CW at -10 dBFS	-	-	-	-	-73.1	-	dBc
		F <sub>OUT</sub> = 1.9 GHz CW at -10 dBFS	-	-	-	-	-67.2	-	dBc
		F <sub>OUT</sub> = 2.4 GHz CW at -10 dBFS	-	-	-	-	-65.4	-	dBc
		F <sub>OUT</sub> = 3.5 GHz CW at -10 dBFS, F <sub>S</sub> = 9 GS/s	-	-	-	-	-60.4	-	dBc
		F <sub>OUT</sub> = 4.9 GHz CW at -10 dBFS, F <sub>S</sub> = 8.5 GS/s	-	-	-	-	-62.5	-	dBc
		F <sub>OUT</sub> = 5.9 GHz CW at -10 dBFS	-	-	-	-	-60.3	-	dBc
F <sub>OUT</sub> = 6.9 GHz CW at -10 dBFS	-	-	-	-	-59.8	-	dBc		

Table 140: Main RF-DAC Performance Characteristics for ZU6xDR Devices—Low Noise Mode (cont'd)

Symbol	Parameter	Comments/Conditions <sup>1, 2</sup>	6.4 mA			32 mA			Units
			Min	Typ <sup>3</sup>	Max	Min	Typ <sup>3</sup>	Max	
IM3 <sup>4</sup>	Two-tone, third-order inter-modulation distortion	F <sub>OUT</sub> = 240 MHz F <sub>1</sub> , F <sub>2</sub> at -6 dBFS, Δf = 20 MHz	-	-80.5	-	-	-82.5	-	dBc
		F <sub>OUT</sub> = 1.9 GHz F <sub>1</sub> , F <sub>2</sub> at -6 dBFS, Δf = 20 MHz	-	-74.2	-	-	-73.4	-	dBc
		F <sub>OUT</sub> = 2.4 GHz F <sub>1</sub> , F <sub>2</sub> at -6 dBFS, Δf = 20 MHz	-	-72.4	-	-	-73.3	-	dBc
		F <sub>OUT</sub> = 3.5 GHz, F <sub>S</sub> = 9 GS/s F <sub>1</sub> , F <sub>2</sub> at -6 dBFS, Δf = 20 MHz	-	-69.3	-	-	-72.6	-	dBc
		F <sub>OUT</sub> = 4.9 GHz, F <sub>S</sub> = 8.5 GS/s F <sub>1</sub> , F <sub>2</sub> at -6 dBFS, Δf = 20 MHz	-	-70.8	-	-	-64.3	-	dBc
		F <sub>OUT</sub> = 5.9 GHz F <sub>1</sub> , F <sub>2</sub> at -6 dBFS, Δf = 20 MHz	-	-70.7	-	-	-63.7	-	dBc
		F <sub>OUT</sub> = 6.9 GHz F <sub>1</sub> , F <sub>2</sub> at -6 dBFS, Δf = 20 MHz	-	-69.9	-	-	-63.2	-	dBc
		F <sub>OUT</sub> = 240 MHz F <sub>1</sub> , F <sub>2</sub> at -16 dBFS, Δf = 20 MHz	-	-	-	-	-73.5	-	dBc
		F <sub>OUT</sub> = 1.9 GHz F <sub>1</sub> , F <sub>2</sub> at -16 dBFS, Δf = 20 MHz	-	-	-	-	-70.5	-	dBc
		F <sub>OUT</sub> = 2.4 GHz F <sub>1</sub> , F <sub>2</sub> at -16 dBFS, Δf = 20 MHz	-	-	-	-	-68.3	-	dBc
		F <sub>OUT</sub> = 3.5 GHz, F <sub>S</sub> = 9 GS/s F <sub>1</sub> , F <sub>2</sub> at -16 dBFS, Δf = 20 MHz	-	-	-	-	-66.9	-	dBc
		F <sub>OUT</sub> = 4.9 GHz, F <sub>S</sub> = 8.5 GS/s F <sub>1</sub> , F <sub>2</sub> at -16 dBFS, Δf = 20 MHz	-	-	-	-	-66.6	-	dBc
		F <sub>OUT</sub> = 5.9 GHz F <sub>1</sub> , F <sub>2</sub> at -16 dBFS, Δf = 20 MHz	-	-	-	-	-65.9	-	dBc
		F <sub>OUT</sub> = 6.9 GHz F <sub>1</sub> , F <sub>2</sub> at -16 dBFS, Δf = 20 MHz	-	-	-	-	-65.4	-	dBc

**Notes:**

- RF-DAC sampling rate is 10 GS/s using an external sampling clock, except when specified. DAC configured in real mode, PAR is computed on the real digital waveform at the DAC input:  $10 \cdot \log_{10}(\max(\text{dac\_input}^2)/\text{mean}(\text{dac\_input}^2))$ . The PAR of the complex base-band version (relative to envelope) of the same signal is approximately 3 dB less.
- The DAC tiles are characterized using the on-chip clock forwarding configuration from tile 1, except when mentioned in the parameter condition column.
- Typical values are specified at nominal voltage, T<sub>j</sub> = 40°C.
- A derating of 1.5 dB is applied to the worst-case value when using DC coupling with the VOP feature.
- Excludes HD2, HD3.
- See the *Zynq UltraScale+ RFSoc RF Data Converter LogiCORE IP Product Guide (PG269)* for internal PLL information.
- HD2 measurement is heavily influenced by the intrinsic phase imbalance (P to N skew) presented by interconnect such as baluns, cabling, and PCB traces between the DAC output and spectrum analyzer input. The results presented here include the effect of these systematic skews.

Table 141: RF-DAC Mode Performance Benchmark for ZU6xDR Devices

Symbol	Parameter	Comments/Conditions <sup>1,2</sup>	20 mA Low Noise Mode			20 mA High Linearity Mode			Units
			Min	Typ <sup>3</sup>	Max	Min	Typ <sup>3</sup>	Max	
ACLR <sup>4</sup>	Adjacent channel leakage ratio measured with external sampling clock forwarded between tiles	$F_C = 240$ MHz, single 3.84 MHz QPSK, PAR = 7.6 dB	-	-85.0	-	-	-83.0	-	dBc
		$F_C = 1.9$ GHz, single 3.84 MHz QPSK, PAR = 7.6 dB	-	-79.4	-	-	-82.8	-	dBc
		$F_C = 2.4$ GHz, single 3.84 MHz QPSK, PAR = 7.6 dB	-	-78.4	-	-	-81.4	-	dBc
		$F_C = 3.5$ GHz, single 18 MHz 16QAM, PAR = 8.6 dB, $F_S = 9$ GS/s	-	-73.6	-	-	-74.2	-	dBc
		$F_C = 4.9$ GHz, single 18 MHz 16QAM, PAR = 8.6 dB, $F_S = 8.5$ GS/s	-	-71.5	-	-	-71.9	-	dBc
		$F_C = 5.9$ GHz, single 18 MHz 16QAM, PAR = 8.6 dB	-	-71.5	-	-	-72.4	-	dBc
	Adjacent channel leakage ratio with $F_{REF} = 500$ MHz <sup>6</sup> measured with sampling clock generated from internal RF PLL and forwarded between tiles	$F_C = 6.9$ GHz, single 18 MHz 16QAM, PAR = 8.6 dB	-	-70	-	-	-70.7	-	dBc
		$F_C = 3.5$ GHz, single 18 MHz 16QAM, PAR = 8.6 dB, $F_S = 9$ GS/s	-	-68.0	-	-	-68.2	-	dBc
		$F_C = 4.9$ GHz, single 18 MHz 16QAM, PAR = 8.6 dB, $F_S = 8.5$ GS/s	-	-65.8	-	-	-65.9	-	dBc
		$F_C = 5.9$ GHz, single 18 MHz 16QAM, PAR = 8.6 dB	-	-64.1	-	-	-64.3	-	dBc
OOB <sup>5</sup>	Spurious out-of-band emissions	$F_C = 240$ MHz, single 3.84 MHz QPSK, PAR = 7.6 dB	-	-83.7	-	-	-83.7	-	dBm/MHz
		$F_C = 1.9$ GHz, single 3.84 MHz QPSK, PAR = 7.6 dB	-	-85.1	-	-	-90.5	-	dBm/MHz
		$F_C = 2.4$ GHz, single 3.84 MHz QPSK, PAR = 7.6 dB	-	-85.6	-	-	-91.0	-	dBm/MHz
		$F_C = 3.5$ GHz, single 18 MHz 16QAM, PAR = 8.6 dB, $F_S = 9$ GS/s	-	-88.5	-	-	-91.3	-	dBm/MHz
		$F_C = 4.9$ GHz, single 18 MHz 16QAM, PAR = 8.6 dB, $F_S = 8.5$ GS/s	-	-88.7	-	-	-85.6	-	dBm/MHz
		$F_C = 5.9$ GHz, single 18 MHz 16QAM, PAR = 8.6 dB	-	-88.8	-	-	-85.4	-	dBm/MHz
		$F_C = 6.9$ GHz, single 18 MHz 16QAM, PAR = 8.6 dB	-	-87.6	-	-	-84.6	-	dBm/MHz

Table 141: RF-DAC Mode Performance Benchmark for ZU6xDR Devices (cont'd)

Symbol	Parameter	Comments/Conditions <sup>1,2</sup>	20 mA Low Noise Mode			20 mA High Linearity Mode			Units
			Min	Typ <sup>3</sup>	Max	Min	Typ <sup>3</sup>	Max	
NSD	Noise spectral density measured with external sampling clock forwarded between tiles	F <sub>OUT</sub> = 240 MHz CW at 0 dBFS	-	-164.4	-	-	-158.4	-	dBm/Hz
		F <sub>OUT</sub> = 1.9 GHz CW at 0 dBFS	-	-160.4	-	-	-157.5	-	dBm/Hz
		F <sub>OUT</sub> = 2.4 GHz CW at 0 dBFS	-	-159.9	-	-	-157.4	-	dBm/Hz
		F <sub>OUT</sub> = 3.5 GHz at 0 dBFS, F <sub>S</sub> = 9 GS/s	-	-158.8	-	-	-155.6	-	dBm/Hz
		F <sub>OUT</sub> = 4.9 GHz at 0 dBFS, F <sub>S</sub> = 8.5 GS/s	-	-157.3	-	-	-156.1	-	dBm/Hz
		F <sub>OUT</sub> = 5.9 GHz at 0 dBFS	-	-157.0	-	-	-155.8	-	dBm/Hz
		F <sub>OUT</sub> = 6.9 GHz at 0 dBFS	-	-156.8	-	-	-155.1	-	dBm/Hz
		F <sub>OUT</sub> = 240 MHz CW at -10 dBFS	-	-163.8	-	-	-161.2	-	dBm/Hz
		F <sub>OUT</sub> = 1.9 GHz CW at -10 dBFS	-	-163.0	-	-	-156.4	-	dBm/Hz
		F <sub>OUT</sub> = 2.4 GHz CW at -10 dBFS	-	-162.9	-	-	-155.3	-	dBm/Hz
		F <sub>OUT</sub> = 3.5 GHz at -10 dBFS, F <sub>S</sub> = 9 GS/s	-	-162.7	-	-	-153.9	-	dBm/Hz
		F <sub>OUT</sub> = 4.9 GHz at -10 dBFS, F <sub>S</sub> = 8.5 GS/s	-	-159.9	-	-	-158.1	-	dBm/Hz
		F <sub>OUT</sub> = 5.9 GHz at -10 dBFS	-	-158.3	-	-	-156.8	-	dBm/Hz
		F <sub>OUT</sub> = 6.9 GHz at -10 dBFS	-	-159.9	-	-	-158.3	-	dBm/Hz
	Noise spectral density with F <sub>REF</sub> = 500 MHz <sup>6</sup> measured with sampling clock generated from internal RF PLL and forwarded between tiles	F <sub>OUT</sub> = 240 MHz CW at 0 dBFS	-	-164.3	-	-	-158.4	-	dBm/Hz
		F <sub>OUT</sub> = 1.9 GHz CW at 0 dBFS	-	-159.9	-	-	-157.3	-	dBm/Hz
		F <sub>OUT</sub> = 2.4 GHz CW at 0 dBFS	-	-158.9	-	-	-156.8	-	dBm/Hz
		F <sub>OUT</sub> = 240 MHz CW at -10 dBFS	-	-163.8	-	-	-161.3	-	dBm/Hz
		F <sub>OUT</sub> = 1.9 GHz CW at -10 dBFS	-	-162.9	-	-	-156.5	-	dBm/Hz
		F <sub>OUT</sub> = 2.4 GHz CW at -10 dBFS	-	-162.6	-	-	-155.3	-	dBm/Hz
		F <sub>OUT</sub> = 3.5 GHz CW at 0 dBFS, F <sub>S</sub> = 9 GS/s	-	-157.6	-	-	-155.0	-	dBm/Hz
		F <sub>OUT</sub> = 3.5 GHz CW at -10 dBFS, F <sub>S</sub> = 9 GS/s	-	-162.4	-	-	-154.0	-	dBm/Hz
		F <sub>OUT</sub> = 4.9 GHz CW at 0 dBFS, F <sub>S</sub> = 8.5 GS/s	-	-155.6	-	-	-154.8	-	dBm/Hz
		F <sub>OUT</sub> = 4.9 GHz CW at -10 dBFS, F <sub>S</sub> = 8.5 GS/s	-	-159.6	-	-	-157.9	-	dBm/Hz
F <sub>OUT</sub> = 5.9 GHz CW at 0 dBFS	-	-155.5	-	-	-154.6	-	dBm/Hz		
F <sub>OUT</sub> = 5.9 GHz CW at -10 dBFS	-	-158.1	-	-	-156.7	-	dBm/Hz		
F <sub>OUT</sub> = 6.9 GHz CW at 0 dBFS	-	-155.2	-	-	-154.0	-	dBm/Hz		
F <sub>OUT</sub> = 6.9 GHz CW at -10 dBFS	-	-159.5	-	-	-158.1	-	dBm/Hz		

Table 141: RF-DAC Mode Performance Benchmark for ZU6xDR Devices (cont'd)

Symbol	Parameter	Comments/Conditions <sup>1, 2</sup>	20 mA Low Noise Mode			20 mA High Linearity Mode			Units
			Min	Typ <sup>3</sup>	Max	Min	Typ <sup>3</sup>	Max	
SFDR <sup>4</sup>	Spurious free dynamic range excluding second- and third-order harmonic distortion and $F_s/2$	$F_{OUT} = 240$ MHz CW at 0 dBFS	-	78.0	-	-	80.4	-	dBc
		$F_{OUT} = 1.9$ GHz CW at 0 dBFS	-	74.5	-	-	79.8	-	dBc
		$F_{OUT} = 2.4$ GHz CW at 0 dBFS	-	73.6	-	-	78.7	-	dBc
		$F_{OUT} = 3.5$ GHz CW at 0 dBFS, $F_s = 9$ GS/s (E/I speed grade)	-	71.8	-	-	77.7	-	dBc
		$F_{OUT} = 3.5$ GHz CW at 0 dBFS, $F_s = 9$ GS/s (M speed grade)	-	71.8	-	-	77.7	-	dBc
		$F_{OUT} = 4.9$ GHz CW at 0 dBFS, $F_s = 8.5$ GS/s	-	68.0	-	-	73.8	-	dBc
		$F_{OUT} = 5.9$ GHz CW at 0 dBFS	-	66.9	-	-	72.3	-	dBc
		$F_{OUT} = 6.9$ GHz CW at 0 dBFS	-	68.7	-	-	72.6	-	dBc
		$F_{OUT} = 240$ MHz CW at -10 dBFS	-	73.5	-	-	79.4	-	dBc
		$F_{OUT} = 1.9$ GHz CW at -10 dBFS	-	70.8	-	-	78.1	-	dBc
		$F_{OUT} = 2.4$ GHz CW at -10 dBFS	-	70.0	-	-	77.7	-	dBc
		$F_{OUT} = 3.5$ GHz CW at -10 dBFS, $F_s = 9$ GS/s (E/I speed grade)	-	66.8	-	-	75.9	-	dBc
		$F_{OUT} = 3.5$ GHz CW at -10 dBFS, $F_s = 9$ GS/s (M speed grade)	-	66.8	-	-	75.9	-	dBc
		$F_{OUT} = 4.9$ GHz CW at -10 dBFS, $F_s = 8.5$ GS/s	-	63.8	-	-	70.4	-	dBc
		$F_{OUT} = 5.9$ GHz CW at -10 dBFS	-	62.7	-	-	69.0	-	dBc
$F_{OUT} = 6.9$ GHz CW at -10 dBFS	-	63.2	-	-	69.4	-	dBc		
HD2 <sup>4, 7</sup>	Second-order harmonic distortion	$F_{OUT} = 240$ MHz CW at 0 dBFS	-	-71.8	-	-	-87.5	-	dBc
		$F_{OUT} = 1.9$ GHz CW at 0 dBFS	-	-64.9	-	-	-77.5	-	dBc
		$F_{OUT} = 2.4$ GHz CW at 0 dBFS	-	-63.0	-	-	-71.9	-	dBc
		$F_{OUT} = 3.5$ GHz CW at 0 dBFS, $F_s = 9$ GS/s	-	-66.1	-	-	-74.1	-	dBc
		$F_{OUT} = 4.9$ GHz CW at 0 dBFS, $F_s = 8.5$ GS/s	-	-55.9	-	-	-62.8	-	dBc
		$F_{OUT} = 5.9$ GHz CW at 0 dBFS	-	-53.1	-	-	-59.0	-	dBc
		$F_{OUT} = 6.9$ GHz CW at 0 dBFS	-	-56.2	-	-	-62.6	-	dBc
		$F_{OUT} = 240$ MHz CW at -10 dBFS	-	-70.9	-	-	-87.4	-	dBc
		$F_{OUT} = 1.9$ GHz CW at -10 dBFS	-	-64.0	-	-	-77.3	-	dBc
		$F_{OUT} = 2.4$ GHz CW at -10 dBFS	-	-62.7	-	-	-70.6	-	dBc
		$F_{OUT} = 3.5$ GHz CW at -10 dBFS, $F_s = 9$ GS/s	-	-63.3	-	-	-74.5	-	dBc
		$F_{OUT} = 4.9$ GHz CW at -10 dBFS, $F_s = 8.5$ GS/s	-	-55.0	-	-	-62.5	-	dBc
		$F_{OUT} = 5.9$ GHz CW at -10 dBFS	-	-52.2	-	-	-58.6	-	dBc
		$F_{OUT} = 6.9$ GHz CW at -10 dBFS	-	-55.5	-	-	-62.5	-	dBc

Table 141: RF-DAC Mode Performance Benchmark for ZU6xDR Devices (cont'd)

Symbol	Parameter	Comments/Conditions <sup>1, 2</sup>	20 mA Low Noise Mode			20 mA High Linearity Mode			Units
			Min	Typ <sup>3</sup>	Max	Min	Typ <sup>3</sup>	Max	
HD3 <sup>4</sup>	Third-order harmonic distortion	F <sub>OUT</sub> = 240 MHz CW at 0 dBFS	-	-78.8	-	-	-83.1	-	dBc
		F <sub>OUT</sub> = 1.9 GHz CW at 0 dBFS	-	-71.4	-	-	-71.9	-	dBc
		F <sub>OUT</sub> = 2.4 GHz CW at 0 dBFS	-	-72.5	-	-	-74.2	-	dBc
		F <sub>OUT</sub> = 3.5 GHz CW at 0 dBFS, F <sub>S</sub> = 9 GS/s	-	-67.5	-	-	-69.6	-	dBc
		F <sub>OUT</sub> = 4.9 GHz CW at 0 dBFS, F <sub>S</sub> = 8.5 GS/s	-	-66.4	-	-	-67.1	-	dBc
		F <sub>OUT</sub> = 5.9 GHz CW at 0 dBFS	-	-67.4	-	-	-68.2	-	dBc
		F <sub>OUT</sub> = 6.9 GHz CW at 0 dBFS	-	-64.2	-	-	-66.1	-	dBc
		F <sub>OUT</sub> = 240 MHz CW at -10 dBFS	-	-77.1	-	-	-87.7	-	dBc
		F <sub>OUT</sub> = 1.9 GHz CW at -10 dBFS	-	-68.6	-	-	-84.2	-	dBc
		F <sub>OUT</sub> = 2.4 GHz CW at -10 dBFS	-	-68.4	-	-	-84.8	-	dBc
		F <sub>OUT</sub> = 3.5 GHz CW at -10 dBFS, F <sub>S</sub> = 9 GS/s	-	-66.7	-	-	-73.7	-	dBc
		F <sub>OUT</sub> = 4.9 GHz CW at -10 dBFS, F <sub>S</sub> = 8.5 GS/s	-	-65.6	-	-	-78.7	-	dBc
		F <sub>OUT</sub> = 5.9 GHz CW at -10 dBFS	-	-63.7	-	-	-78.0	-	dBc
F <sub>OUT</sub> = 6.9 GHz CW at -10 dBFS	-	-63.0	-	-	-76.8	-	dBc		



Table 141: RF-DAC Mode Performance Benchmark for ZU6xDR Devices (cont'd)

Symbol	Parameter	Comments/Conditions <sup>1, 2</sup>	20 mA Low Noise Mode			20 mA High Linearity Mode			Units
			Min	Typ <sup>3</sup>	Max	Min	Typ <sup>3</sup>	Max	
IM3 <sup>4</sup>	Two-tone, third-order inter-modulation distortion	F <sub>OUT</sub> = 240 MHz F <sub>1</sub> , F <sub>2</sub> at -6 dBFS, Δf = 20 MHz	-	-83.3	-	-	-89.3	-	dBc
		F <sub>OUT</sub> = 1.9 GHz F <sub>1</sub> , F <sub>2</sub> at -6 dBFS, Δf = 20 MHz	-	-78.0	-	-	-86.4	-	dBc
		F <sub>OUT</sub> = 2.4 GHz F <sub>1</sub> , F <sub>2</sub> at -6 dBFS, Δf = 20 MHz	-	-76.6	-	-	-82.0	-	dBc
		F <sub>OUT</sub> = 3.5 GHz, F <sub>S</sub> = 9 GS/s F <sub>1</sub> , F <sub>2</sub> at -6 dBFS, Δf = 20 MHz	-	-75.3	-	-	-73.3	-	dBc
		F <sub>OUT</sub> = 4.9 GHz, F <sub>S</sub> = 8.5 GS/s F <sub>1</sub> , F <sub>2</sub> at -6 dBFS, Δf = 20 MHz	-	-72.3	-	-	-71.0	-	dBc
		F <sub>OUT</sub> = 5.9 GHz F <sub>1</sub> , F <sub>2</sub> at -6 dBFS, Δf = 20 MHz	-	-72.0	-	-	-70.7	-	dBc
		F <sub>OUT</sub> = 6.9 GHz F <sub>1</sub> , F <sub>2</sub> at -6 dBFS, Δf = 20 MHz	-	-70.7	-	-	-70.9	-	dBc
		F <sub>OUT</sub> = 240 MHz F <sub>1</sub> , F <sub>2</sub> at -16 dBFS, Δf = 20 MHz	-	-80.6	-	-	-89.1	-	dBc
		F <sub>OUT</sub> = 1.9 GHz F <sub>1</sub> , F <sub>2</sub> at -16 dBFS, Δf = 20 MHz	-	-72.3	-	-	-82.0	-	dBc
		F <sub>OUT</sub> = 2.4 GHz F <sub>1</sub> , F <sub>2</sub> at -16 dBFS, Δf = 20 MHz	-	-69.7	-	-	-79.7	-	dBc
		F <sub>OUT</sub> = 3.5 GHz, F <sub>S</sub> = 9 GS/s F <sub>1</sub> , F <sub>2</sub> at -16 dBFS, Δf = 20 MHz	-	-67.8	-	-	-78.5	-	dBc
		F <sub>OUT</sub> = 4.9 GHz, F <sub>S</sub> = 8.5 GS/s F <sub>1</sub> , F <sub>2</sub> at -16 dBFS, Δf = 20 MHz	-	-66.9	-	-	-73.3	-	dBc
		F <sub>OUT</sub> = 5.9 GHz F <sub>1</sub> , F <sub>2</sub> at -16 dBFS, Δf = 20 MHz	-	-65.6	-	-	-73.2	-	dBc
		F <sub>OUT</sub> = 6.9 GHz F <sub>1</sub> , F <sub>2</sub> at -16 dBFS, Δf = 20 MHz	-	-64.1	-	-	-70.5	-	dBc

**Notes:**

- RF-DAC sampling rate is 10 GS/s using an external sampling clock, except when specified. PAR is defined by  $10 \cdot \log_{10}(\max(\text{RF\_signal}^2) / \text{mean}(\text{RF\_signal}^2))$ .
- The DAC tiles are characterized using the on-chip clock forwarding configuration from tile 1, except when mentioned in the parameter condition column.
- Typical values are specified at nominal voltage, T<sub>j</sub> = 40°C.
- A derating of 1.5 dB is applied to the worst-case value when using DC coupling with the VOP feature.
- Excludes HD2, HD3.
- See *Zynq UltraScale+ RFSoc RF Data Converter LogiCORE IP Product Guide (PG269)* for internal PLL information.
- HD2 measurement is heavily influenced by the intrinsic phase imbalance (P to N skew) presented by interconnect such as baluns, cabling, and PCB traces between the DAC output and spectrum analyzer input. The results presented here include the effect of these systematic skews.

## RF Converters Clocking Characteristics

**Table 142: RF Converters Clocking Characteristics for ZU2xDR Devices**

Symbols	Parameter	Comments/Conditions	Min	Typ <sup>1</sup>	Max	Units
$F_{IN}$	Tile clock input frequency range	$F_{REF}$ range restrictions apply when the PLL is used. The $F_S$ range restriction applies when PLL is bypassed.	102.40625	-	6554	MHz
$R^2$	Frequency input division ratio	Possible values are 1, 2, 3, 4 Only available when using internal PLL	1	1	1	
$F_{REF}$	Reference input frequency $F_{REF} = F_{IN}/R$	On-chip PLL activated	102.40625	-	615	MHz
$F_S$	Input sampling frequency	PLL bypassed, quad ADC tile configuration	500	-	2058	MHz
		PLL bypassed, dual ADC tile configuration	1000	-	4096	MHz
		PLL bypassed, DAC	500	-	6554	MHz
$V_{IN}$	Input clock range <sup>3</sup>	Into 100 $\Omega$ differential, on-die termination	0.9	-	1.8	$V_{PPD}$
$R_{ODT}$	Input resistance	On-die differential termination <sup>4</sup>	95	100	110	$\Omega$
$\alpha$	Input duty cycle		48	-	52	%
$F_{OUT}$	$F_{PLL}$ output	PLL output frequency range <sup>5</sup>	500	-	6554	MHz
Sync	Channel to channel synchronized delay skew	Using multi-tile synchronization (MTS) feature on a single device	-1	0	1	$1/F_S$
PN <sup>6</sup>	Phase noise <sup>7</sup>	Offset = 100 kHz	-	-127	-121.2	dBc/Hz
		Offset = 1 MHz	-	-130	-127.3	dBc/Hz
		Offset = 2.5 MHz	-	-136	-132.6	dBc/Hz
		Offset = 10 MHz	-	-146	-142.7	dBc/Hz
RS <sup>8</sup>	Reference spur		-	-70	-	dBc
RHS <sup>8</sup>	Reference harmonic spur	Offset from carrier <800 MHz	-	-70	-	dBc
		Offset from carrier >800 MHz	-	-80	-	dBc

**Notes:**

- Typical values are specified at nominal voltage,  $T_j = 40^\circ\text{C}$ .
- Only  $R=1$  is characterized.
- Maximum input voltage peak-to-peak is  $V_{ADC\_AVCCAUX}$ . Only AC coupling mode is supported for this input.
- See the S parameter file information for more details on input characteristics.
- The internal PLL uses an integer reference divider (R), an integer feedback divider, and an integer output divider for enhanced oscillator performance on the output range.
- Phase noise specification applies for a reference frequency of 245.760 MHz using a division ratio = 1 and sufficient jitter performance of the reference (equal or better than Crystek Microwave's CRBSCS-01-245.760).
- Normalized to 1 GHz carrier.
- Assuming same reference frequency is used in all RF-DACs/RF-ADCs. Reference spurs levels are normalized to 1 GHz carrier. Reference spurs are found at  $F_{OUT} \pm N \times F_{REF}$ , where  $N = 1$  for RS and  $N$  is an integer greater than 1 for RHS.

**Table 143: RF Converters Clocking Characteristics for ZU39DR Devices**

Symbols	Parameter	Comments/Conditions	Min	Typ <sup>1</sup>	Max	Units
$F_{IN}$	Tile clock input frequency range	$F_{REF}$ range restrictions apply when the PLL is used. The $F_S$ range restriction applies when PLL is bypassed.	102.40625	-	6554	MHz
$R^2$	Frequency input division ratio	Possible values are 1, 2, 3, 4 Only available when using internal PLL	1	1	1	

**Table 143: RF Converters Clocking Characteristics for ZU39DR Devices (cont'd)**

Symbols	Parameter	Comments/Conditions	Min	Typ <sup>1</sup>	Max	Units
F <sub>REF</sub>	Reference input frequency F <sub>REF</sub> = F <sub>IN</sub> /R	On-chip PLL activated	102.40625	-	615	MHz
F <sub>S</sub>	Input sampling frequency	PLL bypassed, quad ADC tile configuration	500	-	2220	MHz
		PLL bypassed, DAC	500	-	6554	MHz
V <sub>IN</sub>	Input clock range <sup>3</sup>	Into 100Ω differential, on-die termination	0.9	-	1.8	V <sub>PPD</sub>
α	Input duty cycle		48	-	52	%
F <sub>OUT</sub>	F <sub>PLL</sub> output	PLL output frequency range <sup>4</sup>	500	-	6554	MHz
Sync	Channel to channel synchronized delay skew	Using multi-tile synchronization (MTS) feature on a single device	-1	0	1	1/F <sub>S</sub>
PN <sup>5</sup>	Phase noise <sup>6</sup>	Offset = 100 kHz	-	-127	-121.2	dBc/Hz
		Offset = 1 MHz	-	-130	-127.3	dBc/Hz
		Offset = 2.5 MHz	-	-136	-132.6	dBc/Hz
		Offset = 10 MHz	-	-146	-142.7	dBc/Hz
RS <sup>7</sup>	Reference spur		-	-70	-	dBc
RHS <sup>7</sup>	Reference harmonic spur	Offset from carrier <800 MHz	-	-70	-	dBc
		Offset from carrier >800 MHz	-	-80	-	dBc

**Notes:**

- Typical values are specified at nominal voltage, T<sub>j</sub> = 40°C.
- Only R=1 is characterized.
- Maximum input voltage peak-to-peak is V<sub>ADC\_AVCCAUX</sub>. Only AC coupling mode is supported for this input.
- The internal PLL uses an integer reference divider (R), an integer feedback divider, and an integer output divider for enhanced oscillator performance on the output range.
- Phase noise specification applies for a reference frequency of 245.760 MHz using a division ratio = 1 and sufficient jitter performance of the reference (equal or better than Crystek Microwave's CRBSCS-01-245.760).
- Normalized to 1 GHz carrier.
- Assuming same reference frequency is used in all RF-DACs/RF-ADCs. Reference spurs levels are normalized to 1 GHz carrier. Reference spurs are found at F<sub>OUT</sub> ± N × F<sub>REF</sub>, where N = 1 for RS and N is an integer greater than 1 for RHS.

**Table 144: RF Converters Clocking Characteristics for ZU4xDR Devices**

Symbols	Parameter	Comments/Conditions	Min	Typ <sup>1</sup>	Max	Units
F <sub>IN</sub> <sup>2</sup>	Tile clock input frequency range	F <sub>REF</sub> range restrictions apply when the PLL is used. The F <sub>S</sub> range restriction applies when PLL is bypassed.	102.40625	-	10000	MHz
R <sup>3</sup>	Frequency input division ratio	Possible values are 1, 2, 3, 4 Only available when using internal PLL	1	1	1	
F <sub>REF</sub>	Reference input frequency F <sub>REF</sub> = F <sub>IN</sub> /R	On-chip PLL activated	102.40625	-	615	MHz
F <sub>S</sub>	Input sampling frequency	PLL bypassed, quad ADC tile configuration	500	-	2500	MHz
		PLL bypassed, dual ADC tile configuration	500	-	5000	MHz
		PLL bypassed, DAC	500	-	10000	MHz
V <sub>IN</sub>	Input clock range <sup>4</sup>	Into 100Ω differential, on-die termination	0.9	-	2.8	V <sub>PPD</sub>
α	Input duty cycle		48	-	52	%
SR	Input clock slew rate		4	-	-	V/ns

**Table 144: RF Converters Clocking Characteristics for ZU4xDR Devices (cont'd)**

Symbols	Parameter	Comments/Conditions	Min	Typ <sup>1</sup>	Max	Units
F <sub>OUT</sub>	F <sub>PLL</sub> output	RF-ADC PLL output frequency range <sup>5</sup>	500	-	5000	MHz
		RF-DAC PLL output Low frequency range <sup>5</sup>	500	-	6882	MHz
		RF-DAC PLL output High frequency range <sup>5</sup>	7863	-	10000	MHz
Sync	Channel to channel synchronized delay skew	Using multi-tile synchronization (MTS) feature on a single device	-1	0	1	1/F <sub>S</sub>
RX Sync <sup>6</sup>	Channel to channel synchronized delay skew for RFADC tile group in single device	Using MTS feature and clock forwarding from center tiles of the ADC group with either external T1 clock or single RF-PLL output T1 clock	-10	0	10	ps
TX Sync <sup>6</sup>	Channel to channel synchronized delay skew for RFADC tile group in single device	Using MTS feature and clock forwarding from center tiles of the DAC group with either external T1 clock or single RF-PLL output T1 clock	-10	0	10	ps
PN_ADC <sup>7</sup>	Phase noise for the RF-ADC <sup>8</sup>	Offset = 100 kHz	-	-127.0	-124.1	dBc/Hz
		Offset = 1 MHz	-	-130.7	-128.1	dBc/Hz
		Offset = 2.5 MHz	-	-136.0	-135.3	dBc/Hz
		Offset = 10 MHz	-	-148.1	-143.2	dBc/Hz
PN_DAC <sup>7</sup>	Phase noise for the RF-DAC <sup>8</sup>	Offset = 100 kHz	-	-126.0	-121.7	dBc/Hz
		Offset = 1 MHz	-	-130.7	-128.0	dBc/Hz
		Offset = 2.5 MHz	-	-135.8	-135.3	dBc/Hz
		Offset = 10 MHz	-	-147.3	-144.2	dBc/Hz
RS <sup>9</sup>	Reference spur		-	-70	-	dBc
RHS <sup>9</sup>	Reference harmonic spur	Offset from carrier <800 MHz	-	-70	-	dBc
		Offset from carrier >800 MHz	-	-80	-	dBc

**Notes:**

- Typical values are specified at nominal voltage, T<sub>j</sub> = 40°C.
- External full-rate clocking assumes best case achievable P to N skew from an external clock source. Consult the *UltraScale Architecture PCB Design User Guide (UG583)* for information on the impact of DAC maximum sample rate and external clocking skew imbalance.
- Only R=1 is characterized.
- The input clock should not be applied before the V<sub>DAC\_AVCCAUX</sub> supply or the V<sub>ADC\_AVCCAUX</sub> supply is applied. Only AC coupling mode is supported for this input.
- The internal PLL uses an integer reference divider (R), an integer feedback divider, and an integer output divider for enhanced oscillator performance on the output range. The internal PLL does not supply a carrier between the Low and High frequency range of the DAC tile.
- The sampling clock can be sourced either from the on-chip RF-PLL or using direct external access from the selected center tile that is sourcing the group.
- Phase noise specification applies for a reference frequency of 245.760 MHz using a division ratio = 1 and sufficient jitter performance of the reference (equal or better than the Rohde and Schwarz SMB100A: RF continuous wave generator).
- Normalized to 1 GHz carrier.
- Assuming same reference frequency is used in all RF-DACs/RF-ADCs. Reference spurs levels are normalized to 1 GHz carrier. Reference spurs are found at F<sub>OUT</sub> ± N × F<sub>REF</sub>, where N = 1 for RS and N is an integer greater than 1 for RHS. The specification is derated by 3 dB when distributing a reference frequency to multiple PLLs.

**Table 145: RF Converters Clocking Characteristics for ZU6xDR Devices**

Symbols	Parameter	Comments/Conditions	Min	Typ <sup>1</sup>	Max	Units
F <sub>IN</sub> <sup>2</sup>	Tile clock input frequency range	F <sub>REF</sub> range restrictions apply when the PLL is used. The F <sub>S</sub> range restriction applies when PLL is bypassed.	102.40625	-	10000	MHz
R <sup>3</sup>	Frequency input division ratio	Possible values are 1, 2, 3, 4 Only available when using internal PLL	1	1	1	

Table 145: RF Converters Clocking Characteristics for ZU6xDR Devices (cont'd)

Symbols	Parameter	Comments/Conditions	Min	Typ <sup>1</sup>	Max	Units
F <sub>REF</sub>	Reference input frequency F <sub>REF</sub> = F <sub>IN</sub> /R	On-chip PLL activated	102.40625	-	615	MHz
F <sub>S</sub>	Input sampling frequency	PLL bypassed, quad ADC tile configuration	500	-	2950	MHz
		PLL bypassed, dual ADC tile configuration	500	-	5900	MHz
		PLL bypassed, DAC	500	-	10000	MHz
V <sub>IN</sub>	Input clock range <sup>4</sup>	Into 100Ω differential, on-die termination	0.9	-	2.8	V <sub>PPD</sub>
α	Input duty cycle		48	-	52	%
SR	Input clock slew rate		4	-	-	V/ns
F <sub>OUT</sub>	F <sub>PLL</sub> output	RF-ADC PLL output frequency range <sup>5</sup>	500	-	5900	MHz
		RF-DAC PLL output Low frequency range <sup>5</sup>	500	-	6882	MHz
		RF-DAC PLL output High frequency range <sup>5</sup>	7863	-	10000	MHz
Sync	Channel to channel synchronized delay skew	Using multi-tile synchronization (MTS) feature on a single device	-1	0	1	1/F <sub>S</sub>
RX Sync <sup>6</sup>	Channel to channel synchronized delay skew for RFADC tile group in single device	Using MTS feature and clock forwarding from tile 1 (of tiles 0, 1, 2) of the ADC group with either external T1 clock or single RF-PLL output T1 clock	-10	0	10	ps
TX Sync <sup>6</sup>	Channel to channel synchronized delay skew for RFADC tile group in single device	Using MTS feature and clock forwarding from tile 1 (of tiles 0, 1) of the DAC group with either external T1 clock or single RF-PLL output T1 clock	-10	0	10	ps
PN <sub>ADC</sub> <sup>7</sup>	Phase noise for the RF-ADC <sup>8</sup>	Offset = 100 kHz	-	-127.0	-124.1	dBc/Hz
		Offset = 1 MHz	-	-130.7	-128.1	dBc/Hz
		Offset = 2.5 MHz	-	-136.0	-135.3	dBc/Hz
		Offset = 10 MHz	-	-148.1	-143.2	dBc/Hz
PN <sub>DAC</sub> <sup>7</sup>	Phase noise for the RF-DAC <sup>8</sup>	Offset = 100 kHz	-	-126.0	-121.7	dBc/Hz
		Offset = 1 MHz	-	-130.7	-128.0	dBc/Hz
		Offset = 2.5 MHz	-	-135.8	-135.3	dBc/Hz
		Offset = 10 MHz	-	-147.3	-144.2	dBc/Hz
RS <sup>9</sup>	Reference spur		-	-70	-	dBc
RHS <sup>9</sup>	Reference harmonic spur	Offset from carrier <800 MHz	-	-70	-	dBc
		Offset from carrier >800 MHz	-	-80	-	dBc

**Notes:**

- Typical values are specified at nominal voltage, T<sub>j</sub> = 40°C.
- External full-rate clocking assumes best case achievable P to N skew from an external clock source. Consult the *UltraScale Architecture PCB Design User Guide (UG583)* for information on the impact of DAC maximum sample rate and external clocking skew imbalance.
- Only R=1 is characterized.
- The input clock should not be applied before the V<sub>DAC\_AVCCAUX</sub> supply or the V<sub>ADC\_AVCCAUX</sub> supply is applied. Only AC coupling mode is supported for this input.
- The internal PLL uses an integer reference divider (R), an integer feedback divider, and an integer output divider for enhanced oscillator performance on the output range. The internal PLL does not supply a carrier between the Low and High frequency range of the DAC tile.
- The sampling clock can be sourced either from the on-chip RF-PLL or using direct external access.
- Phase noise specification applies for a reference frequency of 245.760 MHz using a division ratio = 1 and sufficient jitter performance of the reference (equal or better than the Rohde and Schwarz SMB100A: RF continuous wave generator).
- Normalized to 1 GHz carrier.
- Assuming same reference frequency is used in all RF-DACs/RF-ADCs. Reference spurs levels are normalized to 1 GHz carrier. Reference spurs are found at F<sub>OUT</sub> ± N × F<sub>REF</sub>, where N = 1 for RS and N is an integer greater than 1 for RHS. The specification is derated by 3 dB when distributing a reference frequency to multiple PLLs.

Table 146: Analog\_SYSREF Clocking Characteristics

Symbol	Parameter	Comments/Conditions	Min	Typ	Max	Units
V <sub>IN</sub>	Input range	Into 100Ω differential, on-die termination	0.4	-	3.6	V <sub>PPD</sub>
Jitter	SYSREF jitter	RMS jitter from 100 Hz to 20 MHz	-	-	1	ps
F <sub>SYSREF</sub>	SYSREF frequency		0.4	-	10	MHz
Slew rate	Input clock slew rate	20% to 80%	2	-	-	V/ns
Pulse width	Input clock pulse width		50	-	-	ns
DC Coupling Input Parameters						
V <sub>IH</sub>	Input High		0.2	-	1.8	V
V <sub>CM</sub>	Common mode		0.1	-	1.7	V
V <sub>IL</sub>	Input Low		0	-	1.6	V

## SD-FEC Integrated Block

The *UltraScale Architecture and Product Data Sheet: Overview* ([DS890](#)) lists the Zynq UltraScale+ RFSocS that include the SD-FEC integrated block.

Table 147: SD-FEC Clock Frequencies

Symbol	Description	Speed Grade and V <sub>CCINT</sub> Operating Voltages				Units
		0.85V		0.72V		
		-2	-1	-2	-1	
F <sub>CORECLKMAX</sub>	Maximum core frequency	667	667	667	667	MHz
F <sub>INTERFACECLKMAX</sub>	Maximum interface clock frequency	400	400	400	400	MHz

## DFE Integrated Blocks

The *UltraScale Architecture and Product Data Sheet: Overview* ([DS890](#)) lists the Zynq UltraScale+ RFSocS that include the DFE\_CFR, DFE\_FIR, DFE\_MATRIX\_FIR, DFE\_DUC\_DDC, DFE\_PQ\_DECIM, DFE\_PQ\_INTERP, DFE\_FFT, DFE\_PRACH, and DFE\_NLF integrated blocks.

Table 148: DFE Integrated Blocks Clock Frequencies

Symbol	Description	Speed Grade and V <sub>CCINT</sub> Operating Voltages				Units
		0.85V		0.72V		
		-2	-1	-2	-1	
F <sub>DFECLKMAX</sub>	Maximum DFE integrated blocks frequency	491.52	491.52	491.52	491.52	MHz

# PL System Monitor Specifications

Table 149: PL SYSMON Specifications

Parameter	Symbol	Comments/Conditions	Min	Typ	Max	Units
$V_{CCADC} = 1.8V \pm 3\%$ , $V_{REFP} = 1.25V$ , $V_{REFN} = 0V$ , $ADCCLK = 5.2\text{ MHz}$ , $T_j = -40^\circ\text{C}$ to $100^\circ\text{C}$ , typical values at $T_j = 40^\circ\text{C}$						
<b>ADC Accuracy<sup>1</sup></b>						
Resolution			10	-	-	Bits
Integral nonlinearity <sup>2</sup>	INL		-	-	$\pm 1.5$	LSBs
Differential nonlinearity	DNL	No missing codes, guaranteed monotonic	-	-	$\pm 1$	LSBs
Offset error		Offset calibration enabled	-	-	$\pm 2$	LSBs
Gain error			-	-	$\pm 0.4$	%
Sample rate			-	-	0.2	MS/s
RMS code noise		External 1.25V reference	-	-	1	LSBs
		On-chip reference	-	1	-	LSBs
<b>ADC Accuracy at Extended Temperatures</b>						
Resolution		$T_j = -55^\circ\text{C}$ to $125^\circ\text{C}$	10	-	-	Bits
Integral nonlinearity <sup>2</sup>	INL	$T_j = -55^\circ\text{C}$ to $125^\circ\text{C}$	-	-	$\pm 1.5$	LSBs
Differential nonlinearity	DNL	No missing codes, guaranteed monotonic $T_j = -55^\circ\text{C}$ to $125^\circ\text{C}$	-	-	$\pm 1$	
<b>Analog Inputs<sup>2</sup></b>						
ADC input ranges		Unipolar operation	0	-	1	V
		Bipolar operation	-0.5	-	+0.5	V
		Unipolar common mode range (FS input)	0	-	+0.5	V
		Bipolar common mode range (FS input)	+0.5	-	+0.6	V
Maximum external channel input ranges		Adjacent channels set within these ranges should not corrupt measurements on adjacent channels	-0.1	-	$V_{CCADC}$	V
<b>On-Chip Sensor Accuracy</b>						
Temperature sensor error <sup>1,3</sup>		$T_j = -55^\circ\text{C}$ to $125^\circ\text{C}$ (with external REF)	-	-	$\pm 3$	$^\circ\text{C}$
		$T_j = -55^\circ\text{C}$ to $110^\circ\text{C}$ (with internal REF)	-	-	$\pm 3.5$	$^\circ\text{C}$
		$T_j = 110^\circ\text{C}$ to $125^\circ\text{C}$ (with internal REF)	-	-	$\pm 5$	$^\circ\text{C}$

Table 149: PL SYSMON Specifications (cont'd)

Parameter	Symbol	Comments/Conditions	Min	Typ	Max	Units
Supply sensor error <sup>4</sup>		Supply voltages 0.72V to 1.2V, $T_j = -40^{\circ}\text{C}$ to $100^{\circ}\text{C}$ (with external REF)	-	-	$\pm 0.5$	%
		Supply voltages 0.72V to 1.2V, $T_j = -55^{\circ}\text{C}$ to $125^{\circ}\text{C}$ (with external REF)	-	-	$\pm 1.0$	%
		All other supply voltages, $T_j = -40^{\circ}\text{C}$ to $100^{\circ}\text{C}$ (with external REF)	-	-	$\pm 1.0$	%
		All other supply voltages, $T_j = -55^{\circ}\text{C}$ to $125^{\circ}\text{C}$ (with external REF)	-	-	$\pm 2.0$	%
		Supply voltages 0.72V to 1.2V, $T_j = -40^{\circ}\text{C}$ to $100^{\circ}\text{C}$ (with internal REF)	-	-	$\pm 1.0$	%
		Supply voltages 0.72V to 1.2V, $T_j = -55^{\circ}\text{C}$ to $125^{\circ}\text{C}$ (with internal REF)	-	-	$\pm 2.0$	%
		All other supply voltages, $T_j = -40^{\circ}\text{C}$ to $100^{\circ}\text{C}$ (with internal REF)	-	-	$\pm 1.5$	%
		All other supply voltages, $T_j = -55^{\circ}\text{C}$ to $125^{\circ}\text{C}$ (with internal REF)	-	-	$\pm 2.5$	%
<b>Conversion Rate<sup>5</sup></b>						
Conversion time—continuous	$t_{\text{CONV}}$	Number of ADCCLK cycles	26	-	32	Cycles
Conversion time—event	$t_{\text{CONV}}$	Number of ADCCLK cycles	-	-	21	Cycles
DRP clock frequency	DCLK	DRP clock frequency	8	-	250	MHz
ADC clock frequency	ADCCLK	Derived from DCLK	1	-	5.2	MHz
DCLK duty cycle			40	-	60	%
<b>SYSMON Reference<sup>6</sup></b>						
External reference	$V_{\text{REFP}}$	Externally supplied reference voltage	1.20	1.25	1.30	V
On-chip reference		Ground $V_{\text{REFP}}$ pin to AGND, $T_j = -40^{\circ}\text{C}$ to $100^{\circ}\text{C}$	1.2375	1.25	1.2625	V
		Ground $V_{\text{REFP}}$ pin to AGND, $T_j = -55^{\circ}\text{C}$ to $125^{\circ}\text{C}$	1.225	1.25	1.275	V

**Notes:**

1. ADC offset errors are removed by enabling the ADC automatic offset calibration feature. The values are specified for when this feature is enabled.
2. See the Analog Input section in the *UltraScale Architecture System Monitor User Guide (UG580)*.
3. When reading temperature values directly from the PMBus interface, the SYSMON has a  $+4^{\circ}\text{C}$  offset due to the transfer function used by the PMBus application. For example, the external REF temperature sensor error's range of  $\pm 3^{\circ}\text{C}$  becomes  $+1^{\circ}\text{C}$  to  $+7^{\circ}\text{C}$  when the temperature is read through the PMBus interface.
4. Supply sensor offset and gain errors are removed by enabling the automatic offset and gain calibration feature. The values are specified for when this feature is enabled.
5. See the Adjusting the Acquisition Settling Time section in the *UltraScale Architecture System Monitor User Guide (UG580)*.
6. Any variation in the reference voltage from the nominal  $V_{\text{REFP}} = 1.25\text{V}$  and  $V_{\text{REFN}} = 0\text{V}$  will result in a deviation from the ideal transfer function. This also impacts the accuracy of the internal sensor measurements (i.e., temperature and power supply). However, for external ratiometric type applications allowing reference to vary by  $\pm 4\%$  is permitted.



## PL SYSMON I2C/PMBus Interfaces

Table 150: PL SYSMON I2C Fast Mode Interface Switching Characteristics

Symbol	Description <sup>1</sup>	Min	Max	Units
T <sub>SMFCKL</sub>	SCL Low time	1.3	-	µs
T <sub>SMFCKH</sub>	SCL High time	0.6	-	µs
T <sub>SMFCKO</sub>	SDAO clock-to-out delay	-	900	ns
T <sub>SMFDCK</sub>	SDAI setup time	100	-	ns
F <sub>SMFCLK</sub>	SCL clock frequency	-	400	kHz

**Notes:**

1. The test conditions are configured to the LVCMOS 1.8V I/O standard.

Table 151: PL SYSMON I2C Standard Mode Interface Switching Characteristics

Symbol	Description <sup>1</sup>	Min	Max	Units
T <sub>SMSCKL</sub>	SCL Low time	4.7	-	µs
T <sub>SMSCKH</sub>	SCL High time	4.0	-	µs
T <sub>SMSCKO</sub>	SDAO clock-to-out delay	-	3450	ns
T <sub>SMSDCK</sub>	SDAI setup time	250	-	ns
F <sub>SMSCLK</sub>	SCL clock frequency	-	100	kHz

**Notes:**

1. The test conditions are configured to the LVCMOS 1.8V I/O standard.

# Configuration Switching Characteristics

Table 152: Configuration Switching Characteristics

Symbol	Description	Speed Grade and V <sub>CCINT</sub> Operating Voltages				Units
		0.85V		0.72V		
		-2	-1	-2	-1	
<b>PL Power-up Timing Characteristics</b>						
T <sub>PL</sub>	PS_PROG_B PL latency	7.5	7.5	7.5	7.5	ms, Max
T <sub>POR</sub> <sup>1,2</sup>	Power-on reset from PL power-on to PL ready to configure (40 ms ramp rate time)	65	65	65	65	ms, Max
		0	0	0	0	ms, Min
	Power-on reset from PL power-on to PL ready to configure with POR override (2 ms ramp rate time)	15	15	15	15	ms, Max
		5	5	5	5	ms, Min
T <sub>PS_PROG_B</sub>	PL program pulse width	250	250	250	250	ns, Min
<b>Internal Configuration Access Port</b>						
F <sub>ICAPCK</sub>	Internal configuration access port (ICAPE3)	200	200	150	150	MHz, Max
<b>DNA Port Switching</b>						
F <sub>DNACK</sub>	DNA port frequency (DNA_PORT)	200	200	175	175	MHz, Max
<b>STARTUPE3 Ports</b>						
F <sub>CFGMCLK</sub>	STARTUPE3 CFGMCLK output frequency	50.00	50.00	50.00	50.00	MHz, Typ
F <sub>CFGMCLKTOL</sub>	STARTUPE3 CFGMCLK output frequency tolerance	±15	±15	±15	±15	%, Max
T <sub>DCL_MATCH</sub>	Specifies a stall in the startup cycle until the digitally controlled impedance (DCI) match signals are asserted	4	4	4	4	ms, Max

**Notes:**

1. The T<sub>POR</sub> specification begins when the last of the monitored supplies (V<sub>CCINT</sub>, V<sub>CCAUX</sub>, V<sub>CCBRAM</sub>) reaches 95% of its recommended operating condition voltage.
2. The POR override (POR\_OVERRIDE pin tied to V<sub>CCINT</sub>) is applicable only when the monitored supplies ramp within the specified time.

## Revision History

Date	Version	Description of Revisions
11/30/2022	1.11	<p>Removed mention of I/Os being tristated at power-on from <a href="#">PS Power-On/Off Power Supply Sequencing</a>.</p> <p>Revised the <a href="#">Production Specification</a> speed specification version in <a href="#">Table 25</a> to Vivado Design Suite from 2021.2.2 to 2022.1.</p> <p>Replaced "die" with "rank" for LPDDR4 DRAM type in <a href="#">Table 30</a>.</p> <p>Updated to PCIe Gen1, 2, 3, 4 protocol in <a href="#">Table 108</a>.</p>
04/06/2022	1.10	<p>Clarified low-power devices that support only one <math>V_{CCINT}</math> voltage in <a href="#">Summary</a>.</p> <p>Added Note 11 to <a href="#">Table 1</a>: ADC maximum inputs are only valid when both ADC supplies are present.</p> <p>Added the production released XCZU65DR and XCZU67DR devices to <a href="#">Table 25</a>, <a href="#">Table 26</a>, and <a href="#">Table 27</a> in Vivado Design Suite 2021.2.2 v1.30, and where applicable in other sections of this data sheet.</p> <p>Added -1M to sample rate conditions in <a href="#">Table 118</a>.</p> <p>Updated note about RF-ADC sampling rate in <a href="#">Table 123</a>, <a href="#">Table 124</a>, <a href="#">Table 128</a>, and <a href="#">Table 129</a>.</p> <p>Updated sample rate conditions and note 3 in <a href="#">Table 132</a> and <a href="#">Table 133</a>.</p> <p>Updated HD3 and IM3 parameters in <a href="#">Table 124</a>. Updated IM3 parameters in <a href="#">Table 129</a>. Updated SFDR parameters in <a href="#">Table 141</a>.</p> <p>Updated maximum <math>V_{IN}</math> value and note 4 in <a href="#">Table 144</a> and <a href="#">Table 145</a>.</p>
01/06/2022	1.9	<p>Added the production released XCZU42DR, XCZU65DR, and XCZU67DR devices to <a href="#">Table 25</a>, <a href="#">Table 26</a>, and <a href="#">Table 27</a> in Vivado Design Suite 2021.2.1 v1.29, and where applicable in other sections of this data sheet.</p> <p>Updated Note 1 and Note 15 in <a href="#">Table 2</a>.</p> <p>Updated introductory paragraph in <a href="#">Available Speed Grades and Operating Voltages</a>. Added Note 1 to <a href="#">Table 3</a>.</p> <p>For clarity, moved the location of the specifications for internal <math>V_{REF}</math>, differential termination, and temperature diode (ideality factor and series resistance) in <a href="#">Table 4</a>.</p> <p>Added Note 9 to <a href="#">Table 30</a>: LPDDR3 quad die package devices are not supported.</p> <p>Added Note 1 to <a href="#">Table 87</a>.</p> <p>Added RX Sync and TX Sync parameters to <a href="#">Table 144</a>.</p> <p>Added notes for full scale range and ADC bandwidth to <a href="#">Table 117</a>.</p> <p>Added note about ACLR performance to <a href="#">Table 121</a> and <a href="#">Table 126</a>.</p> <p>Added note about HD2 measurement to <a href="#">Table 122</a>, <a href="#">Table 127</a>, <a href="#">Table 140</a>, and <a href="#">Table 141</a>.</p> <p>Added DC coupling row to output current range and updated note about variable output power effective dynamic range in <a href="#">Table 132</a>.</p> <p>Added note about derating of 1.5 dB to <a href="#">Table 138</a> and <a href="#">Table 139</a>.</p> <p>Updated comments/conditions for RX sync and TX sync and updated Note 6 in <a href="#">Table 145</a>.</p> <p>Added <a href="#">DFE Integrated Blocks</a>.</p>
4/06/2021	1.8	<p>Added package skews for the XQZU4xDR devices in <a href="#">Table 96</a>. Added DAC maximum sample rate specification with clock forwarding feature to -2 device in <a href="#">Table 132</a>. Updated Note 4 in <a href="#">Table 144</a>.</p>
4/01/2021	1.7	<p>Added the production released XQZU48DR and XQZU49DR to <a href="#">Table 25</a>, <a href="#">Table 26</a>, and <a href="#">Table 27</a> in Vivado Design Suite 2020.2.2 v1.32, and where applicable in other sections of this data sheet.</p> <p>Decreased the 0 dB maximum attenuation in <a href="#">Table 121</a>, <a href="#">Table 126</a>, and the NSD averaged across the first nyquist zone in <a href="#">Table 122</a>, and <a href="#">Table 127</a>. Added E/I and M speed grade rows to HD3 and IM3 in <a href="#">Table 127</a>.</p> <p>Added E/I and M speed grade rows to SFDR in <a href="#">Table 139</a>.</p> <p>Reduced the maximum sample rate in <a href="#">RF-DAC Electrical Characteristics</a>.</p>

Date	Version	Description of Revisions
12/04/2020	1.6	<p>Added the production released XCZU43DR, XCZU46DR, XCZU47DR, XCZU48DR, and XCZU49DR devices to <a href="#">Table 25</a>, <a href="#">Table 26</a>, and <a href="#">Table 27</a> in Vivado Design Suite 2020.2 v1.30, and where applicable in other sections of this data sheet.</p> <p>Revised the <a href="#">Summary</a> to include specific voltages by device.</p> <p>Updated the symbol name <math>V_{RFDC\_CLK\_IN}</math> in <a href="#">Absolute Maximum Ratings</a>.</p> <p>Added Note 7 to <a href="#">Table 15</a>. Added Note to <a href="#">Table 17</a>.</p> <p>Revised symbol and description of IOPLL_TO_FPD maximum frequency in <a href="#">Table 38</a>.</p> <p>To specify that the PS-GTR for PCI Express is only supported by the common clock architecture, added Note to <a href="#">Table 60</a>.</p> <p>Added the capability for XC devices designing with Vivado Design Suite v2019.1.1 or later to increase the performance of the MIPI PHY transmitter/receiver in <a href="#">Table 72</a>.</p> <p>Updated Note 1 in <a href="#">Table 94</a></p> <p>Added the <a href="#">RF-ADC/RF-DAC to PL Interface Switching Characteristics</a> section.</p> <p>Increased the maximum line rate of the QPLL0 -1 (<math>V_{CCINT} = 0.85V</math>) output divider 1 in <a href="#">Table 100</a> and updated Notes 2 and 3.</p> <p>Reorganized the <a href="#">Integrated RF-ADC Block</a> and <a href="#">Integrated RF-DAC Block</a> sections and the notes where the typical values are now specified at 40°C. Updated the typical <i>Return Loss</i> conditions and notes in each section. In the <a href="#">RF-ADC Electrical Characteristics</a> section, <a href="#">Table 117</a>, updated the common mode voltage descriptions. Clarified the meaning of all of the OIS parameter descriptions in the <a href="#">RF-ADC Performance Characteristics</a> section. Updated the sampling rate Note 1 and revised the sample <math>F_{REF}</math> to 250 MHz in <a href="#">Table 119</a>, <a href="#">Table 120</a>, and <a href="#">Table 125</a>.</p> <p>Added <a href="#">Table 146: Analog_SYSREF Clocking Characteristics</a>.</p>
6/05/2019	1.5	<p>Production released the XCZU39DR device in -2I (<math>V_{CCINT} = 0.85V</math>) and -2LI (<math>V_{CCINT} = 0.72V</math>) speed/temperature grades throughout the data sheet for Vivado Design Suite 2019.1 v1.23</p> <p>In the <a href="#">Integrated Interface Block for Interlaken</a> section, removed package-specific limitation.</p>
4/09/2019	1.4	<p>Added the production released XQZU21DR and XQZU29DR devices in the -2I, -1I, -1M, and -1LI speed/temperature grades to <a href="#">Table 25</a>, <a href="#">Table 26</a>, and <a href="#">Table 27</a> in Vivado Design Suite 2018.3 or 2018.3.1 v1.23.</p> <p>This version also adds the ruggedized FFRD1156 and FFRF1760 packages to support the XQZU21DR and XQZU29DR.</p> <p>Updated <a href="#">Table 25</a> to Vivado Design Suite 2018.3.1 v1.23.</p> <p>Add the XQZU21DR and XQZU29DR devices to <a href="#">Table 9</a>, <a href="#">Table 10</a>, <a href="#">Table 88</a>, <a href="#">Table 89</a>, <a href="#">Table 90</a>, <a href="#">Table 92</a>, <a href="#">Table 93</a>, and <a href="#">Table 96</a>.</p> <p>Updated Note 1 in <a href="#">Table 35</a>.</p> <p>Added LVDS component mode notes to <a href="#">Programmable Logic (PL) Performance Characteristics</a>.</p>
1/04/2019	1.3	<p>Added the production released XQZU28DR device in the -2I, -1I, -1M, and -1LI speed/temperature grades to <a href="#">Table 25</a>, <a href="#">Table 26</a>, and <a href="#">Table 27</a> in Vivado Design Suite 2018.3 v1.23.</p> <p>Added military grade <math>T_j</math> to <a href="#">Table 2</a> and -1M to <a href="#">Table 3</a>.</p> <p>Add the XQZU28DR devices to <a href="#">Table 9</a>, <a href="#">Table 10</a>, <a href="#">Table 88</a>, <a href="#">Table 89</a>, <a href="#">Table 90</a>, <a href="#">Table 92</a>, <a href="#">Table 93</a>, and <a href="#">Table 96</a>.</p> <p>Added the FFRE1156 and FFRG1517 packages to <a href="#">Table 1</a> and the <a href="#">Integrated Interface Block for Interlaken</a> section.</p> <p>Updated Note 20 in <a href="#">Table 2</a>.</p> <p>Updated Note 3 in <a href="#">Table 6</a>, <a href="#">Table 7</a>, <a href="#">Table 8</a>. Updated the <math>V_{IDIFF}</math> description in <a href="#">Table 24</a>. Revised minimum PS DDR data rates for all I-grade devices in <a href="#">Table 30</a>.</p> <p>In <a href="#">Table 69</a>, revised the Supply Sensor Error <math>T_j</math> conditions to -55°C.</p> <p>Updated the speed grade notes in <a href="#">Table 105</a>.</p> <p>In <a href="#">Table 112</a>, removed Note 1.</p> <p>Removed PCI Express Gen4 support in <a href="#">Table 113: Maximum Performance for PCIE4-based PCI Express Designs for ZU2xDR and ZU39DR Devices</a> and Note 1, Note 2, and Note 3.</p> <p>In <a href="#">Table 119</a>, added M-grade NSD <math>F_{IN} = 3.5</math> GHz, the HD3 <math>F_{IN} = 2.4</math> GHz, and IM3 <math>F_{IN} = 3.5</math> GHz, F1, F2 at -7 dBFS and 20 MHz delta.</p> <p>In <a href="#">Table 134</a>, added M-grade ACLR <math>F_C = 3.5</math> GHz.</p> <p>In <a href="#">Table 136</a>, added M-grade ACLR <math>F_C = 240</math> MHz, and NSD <math>F_{OUT} = 3.5</math> GHz CW at -10 dBFS.</p> <p>Added the MTS sync specification to <a href="#">Table 142</a>.</p>

Date	Version	Description of Revisions
8/01/2018	1.2	<p>Added Note 20 to Table 2.</p> <p>Where applicable, added the -2LI (<math>V_{CCINT} = 0.72V</math>) speed/temperature grade specifications throughout this data sheet. Updated Table 25, Table 26, and Table 27 to production for the following devices/speed/temperature grades in Vivado Design Suite 2018.2.1 v1.21.</p> <p>XCZU21DR: -1LI (<math>V_{CCINT} = 0.85V</math>), and -2LI, -1LI (<math>V_{CCINT} = 0.72V</math>)</p> <p>XCZU25DR: -1LI (<math>V_{CCINT} = 0.85V</math>), and -2LI, -1LI (<math>V_{CCINT} = 0.72V</math>)</p> <p>XCZU27DR: -1LI (<math>V_{CCINT} = 0.85V</math>), and -2LI, -1LI (<math>V_{CCINT} = 0.72V</math>)</p> <p>XCZU28DR: -1LI (<math>V_{CCINT} = 0.85V</math>), and -2LI, -1LI (<math>V_{CCINT} = 0.72V</math>)</p> <p>XCZU29DR: -1LI (<math>V_{CCINT} = 0.85V</math>), and -2LI, -1LI (<math>V_{CCINT} = 0.72V</math>)</p> <p>In Table 11, added RF-DAC, RF-ADC, and SD-FEC power supply values.</p> <p>Added the -2LI specific values to Table 71 and added Note 4 to the LVDS RX DDR maximum data.</p> <p>Added -2LI specific values to Table 74, Table 80, Table 81, and Table 83.</p> <p>In Table 105 added Note 4.</p> <p>In Table 110, added -2LI.</p> <p>In Table 112, revised the calculated values from 322.223 to 322.266. Added Note 1.</p> <p>Edited Note 2 in Table 113.</p> <p>In Table 142, clarified the parameter description of <math>F_{IN}</math>, revised the maximum ratio of R and added Note 2, updated the minimum PLL output frequency range to 500 MHz, and revised Note 6.</p> <p>In Table 152, added Notes 1 and 2.</p>
6/18/2018	1.1	<p>Updated the RF-ADC, RF-DAC, and SD-FEC section in Absolute Maximum Ratings including adding <math>V_{IN}</math> and <math>V_{ADC\_IN}</math>. Revised Note 14 in Table 2. Added <math>ADC\_REXT</math> and <math>DAC\_REXT</math> to DC Characteristics Over Recommended Operating Conditions. In Table 2, clarified the <math>V_{CCO\_PSIO}</math> descriptions.</p> <p>Added the RF-DAC/RF-ADC power supply sequencing information to the PL Power-On/Off Power Supply Sequencing section.</p> <p>Updated Table 25, Table 26, and Table 27 to production for the following devices/speed/temperature grades in Vivado Design Suite 2018.2 v1.20.</p> <p>XCZU21DR: -2E, -2I, -2LE, -1E, -1I (<math>V_{CCINT} = 0.85V</math>), and -2LE (<math>V_{CCINT} = 0.72V</math>)</p> <p>XCZU25DR: -2E, -2I, -2LE, -1E, -1I (<math>V_{CCINT} = 0.85V</math>), and -2LE (<math>V_{CCINT} = 0.72V</math>)</p> <p>XCZU27DR: -2E, -2I, -2LE, -1E, -1I (<math>V_{CCINT} = 0.85V</math>), and -2LE (<math>V_{CCINT} = 0.72V</math>)</p> <p>XCZU28DR: -2E, -2I, -2LE, -1E, -1I (<math>V_{CCINT} = 0.85V</math>), and -2LE (<math>V_{CCINT} = 0.72V</math>)</p> <p>XCZU29DR: -2E, -2I, -2LE, -1E, -1I (<math>V_{CCINT} = 0.85V</math>), and -2LE (<math>V_{CCINT} = 0.72V</math>)</p> <p>Added Table 87.</p> <p>Updated the specifications in Table 88, Table 89, Table 90, Table 92, and Table 93. Added package skew data to Table 96.</p> <p>Revised the speed grade -1 (<math>V_{CCINT} = 0.85</math>) <math>F_{GTYMAX}</math> in Table 100, which also revised values in Table 105 and added Note 7.</p> <p>Revised and added data to Table 115, Table 119, Table 125, Table 134, Table 136, and Table 142. In Table 142, revised Note 7.</p>
4/09/2018	1.0	Initial Xilinx release.

## Please Read: Important Legal Notices

The information disclosed to you hereunder (the "Materials") is provided solely for the selection and use of Xilinx products. To the maximum extent permitted by applicable law: (1) Materials are made available "AS IS" and with all faults, Xilinx hereby DISCLAIMS ALL WARRANTIES AND CONDITIONS, EXPRESS, IMPLIED, OR STATUTORY, INCLUDING BUT NOT LIMITED TO WARRANTIES OF MERCHANTABILITY, NON-INFRINGEMENT, OR FITNESS FOR ANY PARTICULAR PURPOSE; and (2) Xilinx shall not be liable (whether in contract or tort, including negligence, or under any other theory of liability) for any loss or damage of any kind or nature related to, arising under, or in connection with, the Materials (including your use of the Materials), including for any direct, indirect, special, incidental, or consequential loss or damage (including loss of data, profits, goodwill, or any type of loss or damage suffered as a result of any action brought by a third party) even if such damage or loss was reasonably foreseeable or Xilinx had been advised of the possibility of the same. Xilinx assumes no obligation to correct any errors contained in the Materials or to notify you of updates to the Materials or to product specifications. You may not reproduce, modify, distribute, or publicly display the Materials without prior written consent. Certain products are subject to the terms and conditions of Xilinx's limited warranty, please refer to Xilinx's Terms of Sale which can be viewed at <https://www.xilinx.com/legal.htm#tos>; IP cores may be subject to warranty and support terms contained in a license issued to you by Xilinx. Xilinx products are not designed or intended to be fail-safe or for use in any application requiring fail-safe performance; you assume sole risk and liability for use of Xilinx products in such critical applications, please refer to Xilinx's Terms of Sale which can be viewed at <https://www.xilinx.com/legal.htm#tos>.

### AUTOMOTIVE APPLICATIONS DISCLAIMER

AUTOMOTIVE PRODUCTS (IDENTIFIED AS "XA" IN THE PART NUMBER) ARE NOT WARRANTED FOR USE IN THE DEPLOYMENT OF AIRBAGS OR FOR USE IN APPLICATIONS THAT AFFECT CONTROL OF A VEHICLE ("SAFETY APPLICATION") UNLESS THERE IS A SAFETY CONCEPT OR REDUNDANCY FEATURE CONSISTENT WITH THE ISO 26262 AUTOMOTIVE SAFETY STANDARD ("SAFETY DESIGN"). CUSTOMER SHALL, PRIOR TO USING OR DISTRIBUTING ANY SYSTEMS THAT INCORPORATE PRODUCTS, THOROUGHLY TEST SUCH SYSTEMS FOR SAFETY PURPOSES. USE OF PRODUCTS IN A SAFETY APPLICATION WITHOUT A SAFETY DESIGN IS FULLY AT THE RISK OF CUSTOMER, SUBJECT ONLY TO APPLICABLE LAWS AND REGULATIONS GOVERNING LIMITATIONS ON PRODUCT LIABILITY.

### Copyright

© Copyright 2017-2022 Advanced Micro Devices, Inc. Xilinx, the Xilinx logo, Alveo, Artix, Kintex, Kria, Spartan, Versal, Vitis, Virtex, Vivado, Zynq, and other designated brands included herein are trademarks of Xilinx in the United States and other countries. AMBA, AMBA Designer, Arm, ARM1176JZ-S, CoreSight, Cortex, PrimeCell, Mali, and MPCore are trademarks of Arm Limited in the EU and other countries. PCI, PCIe, and PCI Express are trademarks of PCI-SIG and used under license. The DisplayPort Icon is a trademark of the Video Electronics Standards Association, registered in the U.S. and other countries. All other trademarks are the property of their respective owners.