

Versal ACAP

Technical Reference Manual

AM011 (v1.4) April 26, 2022

Xilinx is creating an environment where employees, customers, and partners feel welcome and included. To that end, we're removing non-inclusive language from our products and related collateral. We've launched an internal initiative to remove language that could exclude people or reinforce historical biases, including terms embedded in our software and IPs. You may still find examples of non-inclusive language in our older products as we work to make these changes and align with evolving industry standards. Follow this [link](#) for more information.





Table of Contents

Section I: Introduction	17
Chapter 1: Introduction to Versal ACAP	18
Chapter 2: Navigating Content by Design Process	20
Chapter 3: Device Overview	22
Device-Level Block Diagram.....	24
Processing System.....	26
Platform Management Controller.....	26
Applications.....	28
Software Code and Data Files.....	28
System Performance.....	30
Device Comparisons and IP Revisions.....	32
Chapter 4: Documentation	38
Versal ACAP Technical Reference Manual Outline.....	38
Additional Documents.....	40
Xilinx Documentation Navigator.....	41
Section II: Hardware Architecture	42
Chapter 5: High-level Interconnect Diagrams	43
Device-Level Interconnect Diagram.....	43
PMC-PS-CPM Interconnect Diagram.....	45
Chapter 6: PMC and PS Architectures	47
PS FPD Architecture.....	48
PS LPD Architecture.....	51
PMC Architecture.....	54
Chapter 7: Integrated Hardware	63

DDR4 Memory Controller.....	63
PL Building Blocks.....	63
Network on Chip Interconnect.....	64
Embedded Memories.....	64
Test and Debug.....	65
Chapter 8: Integrated Hardware Options.....	66
Summary of Hardware Options.....	66
AI Engine.....	66
Accelerator RAM.....	67
High-Bandwidth Memory Interface.....	67
Chapter 9: Integrated Peripheral Options.....	68
100G Multirate Ethernet MAC.....	68
600G Channelized Multirate Ethernet.....	69
600G Interlaken with FEC.....	69
400G High-Speed Crypto Engine.....	70
Multistream Video Decoder Unit.....	70
Chapter 10: PL Fabric Overview.....	71
PL Block Diagram.....	72
Adaptable Engines in PL.....	74
Chapter 11: Device I/O Connectivity.....	76
Device-Level Diagram.....	76
MIO and Dedicated I/O Banks.....	77
GTY and GTYP Pipe Transceivers.....	79
PL HDIO Banks.....	80
DDR I/O Banks.....	81
Chapter 12: Silicon Integrated into Package.....	83
Monolithic Physical Layout Example.....	83
Si Interposer Design for High-bandwidth Memory.....	84
Section III: Platform Boot, Control, and Status.....	86
Chapter 13: Overview.....	87
Comparison to Previous Generation Devices.....	89

Chapter 14: Non-Secure Boot Flow	91
Chapter 15: Secure Boot Flow	95
Asymmetric Hardware Root of Trust Secure Boot.....	97
Symmetric Hardware Root of Trust Secure Boot.....	101
Chapter 16: Boot Image	103
PDI Size Estimation.....	104
Boot Header.....	108
Chapter 17: Boot Modes	110
JTAG Boot Mode.....	114
Octal SPI Boot Mode.....	114
Quad SPI Boot Mode.....	118
SD Boot Modes.....	124
eMMC1 Boot Mode.....	129
SelectMAP Boot Mode.....	132
Chapter 18: Platform Management	140
Functional Safety Management.....	140
Dynamic Function eXchange	143
Power Management.....	143
Security Management.....	146
PL Soft Error Mitigation.....	153
PMC and PS System Error Management.....	153
Chapter 19: Platform Hardware Reference	154
Hardware Boot Events.....	154
Boot Header Register Initialization Feature	155
Device State After RCU BootROM.....	156
PL-PMC GPI and GPO Port Signals.....	157
Software Platform Service Requests.....	158
Hardware Allocated to RCU BootROM Code.....	159
Hardware Allocated to PLM Firmware.....	160
BootROM Error Code Table.....	161
Device Identification.....	171
Section IV: Address Maps and Programming Interfaces	173

Chapter 20: Address Maps.....	174
High-level Address Map.....	177
4 GB Address Map by Address.....	179
4 GB Address Map by Name.....	203
NoC Address Map.....	228
Chapter 21: Register Programming Interfaces.....	230
List of Programming Interfaces by Block.....	230
APB, AXI Programming Interfaces.....	231
NPI Programming Interface.....	232
CFU Programming Interface.....	233
Chapter 22: NPI Register Modules.....	234
Section V: Signals, Interfaces, Pins, and Controls.....	236
Chapter 23: Power and PMC Dedicated Pins.....	237
Power Pins.....	237
PMC Dedicated Pins.....	238
Chapter 24: Multiplexed I/O Signals and Pins.....	241
MIO-at-a-Glance.....	241
MIO Routing Considerations.....	246
MIO-EMIO Interface Routing Options.....	246
MIO Pin Buffer Controls.....	248
MIO Pin Routing.....	250
MIO Pin Programming Example.....	253
PCIe Reset on MIO.....	254
Section VI: Engines.....	255
Chapter 25: Overview.....	256
Scalar Engines.....	256
Intelligent Engines.....	257
Adaptable Engines.....	258
DMA Units.....	258
Chapter 26: Processor Support Units.....	259

Processor Communications.....	259
Chapter 27: Application Processing Unit.....	260
Features.....	261
System Perspective.....	263
Memory Space.....	265
Execution Pipelines.....	266
APU Address Model.....	267
Virtualization.....	268
Server Architecture.....	268
Processor Counters.....	269
PS FPD Interrupts.....	272
Register Reference.....	275
Chapter 28: Real-time Processing Unit.....	277
Features.....	277
Cortex-R5F Processor Implementation.....	278
System Perspective.....	278
Operating Modes.....	279
Power Modes and States.....	281
Address Maps.....	282
Processor Memory Datapaths.....	286
Tightly-coupled Memories.....	287
Memory Error Detection and Correction.....	287
RPU Memory Protection Unit.....	288
Interrupts.....	288
GIC Interrupt Controller.....	290
System Errors Generated by RPU.....	293
Test and Debug.....	293
Register Reference.....	294
Chapter 29: PS DMA Controller.....	296
Features.....	296
System Perspective.....	298
Channel Block Diagram.....	301
Modes and States.....	301
Simple Mode Programming.....	302
Descriptor Mode Programming.....	304
Done Interrupt Accounting.....	314

Over Fetch.....	314
Transaction Control.....	317
PL Flow-Control Interface.....	318
Interrupts.....	323
Transaction Security.....	325
Channel Pause.....	326
Programming Model for Changing DMA Channel States.....	326
Register Reference.....	328
I/O Flow Control Signals.....	329

Section VII: Embedded Processor, Configuration, and Security

Units.....	330
-------------------	------------

Chapter 30: Overview.....	331
----------------------------------	------------

Chapter 31: Platform Processing Unit.....	333
--	------------

Features.....	333
Programming Model.....	333
Interrupts.....	334
Authenticated JTAG.....	335
Tamper Event Monitoring and Response System.....	335
PMC Register Reference.....	335

Chapter 32: Processing System Manager.....	340
---	------------

Features.....	340
System Perspective.....	340
Interrupts.....	340
Reset.....	341
PSM Register Reference.....	342

Chapter 33: PL Configuration.....	347
--	------------

Configuration Frame Unit.....	347
Configuration Frame Interface.....	349

Chapter 34: SBI for JTAG and SelectMAP.....	350
--	------------

Chapter 35: PMC Security Units.....	351
--	------------

AES-GCM.....	351
SHA3-384.....	352

RSA/ECDSA.....	352
True Random Number Generator.....	353
Physically Unclonable Function.....	354
Chapter 36: Secure Stream Switch.....	355
PMC DMAs.....	356
Section VIII: Interconnect.....	357
Chapter 37: Overview.....	358
Features.....	359
System Perspective.....	362
Chapter 38: AXI Interconnect Switches.....	364
Switch Architecture.....	365
Switch Ingress Ports.....	367
Switch Egress Ports.....	369
Interconnect Switch Diagrams.....	372
Interconnect Channels and Ports.....	380
Interconnect Register Set Overview.....	385
Chapter 39: Transaction Attributes.....	386
Address.....	386
Data.....	387
System Management ID.....	387
TrustZone Security.....	391
AxCACHE.....	395
Quality of Service.....	396
Safety Features.....	397
Poisoned Transaction.....	398
Chapter 40: Transaction Routes.....	399
Routing and Coherency Controls.....	399
CPM Transaction Route Use Cases.....	400
CPM and CCI Transaction Route Restrictions.....	403
OSPI Direct Access by PMC DMA via CCI.....	405
Chapter 41: PL Interconnect Interfaces.....	406
PL to PS Interfaces.....	406

PS to PL Interfaces.....	407
Register Reference.....	408
Chapter 42: Shared Virtual Memory.....	409
System Perspective.....	410
APU Virtualization.....	411
Interrupt Virtualization.....	414
Chapter 43: System Memory Management Unit.....	415
Features.....	415
SMMU TBU Instances.....	415
Address Translation Examples.....	416
Memory Protection Functionality.....	417
Chapter 44: Cache Coherent Interconnect.....	418
Features.....	420
Cache Coherency.....	421
Snoop Filter.....	422
AXI Outgoing Ports.....	422
Transaction Attribute Management.....	424
CCI Register Reference.....	424
Chapter 45: Memory Space Protection.....	426
Types of Protection Units.....	426
Protection Units.....	427
Use Case Example.....	428
TrustZone Security.....	428
Chapter 46: Xilinx Memory Protection Unit.....	429
Features.....	430
System Perspective.....	431
Access Checking Operations.....	433
Error Handling.....	434
AXI Transaction Signals.....	435
Configuration.....	435
XMPU Register Reference.....	436
Chapter 47: Xilinx Peripheral Protection Unit.....	438
Features.....	438

System Perspective.....	439
Transaction Checking Operations.....	441
SMID Checking.....	442
Aperture Permission Checking.....	443
Errors.....	444
XPPU Register Reference.....	445
Section IX: Interrupts and Errors.....	448
Chapter 48: System Interrupts.....	449
System Interrupt Controllers.....	449
IRQ System Interrupts.....	450
Register Reference.....	453
Chapter 49: Inter-Processor Interrupts.....	455
Features.....	456
System Perspective.....	458
List of Agents.....	459
Agent Communications.....	459
Interrupt Architecture.....	460
Message Passing Architecture.....	462
Register Reference and Address Map.....	464
Programming Examples.....	468
Chapter 50: System Errors.....	470
Error Accumulator Modules.....	472
Types of Errors.....	473
System Error Accumulator Registers.....	475
Programming Model.....	481
Section X: Timers, Counters, and RTC.....	483
Chapter 51: Real-Time Clock.....	484
Features.....	485
Counter Module.....	486
Calibration.....	486
RTC Accuracy.....	487
Interfaces and Signals.....	488
Registers.....	488

Chapter 52: System Counters	490
Chapter 53: Triple-Timer Counters	492
Features.....	492
Block Diagram	493
Overflow Detection Functional Model.....	495
Interval Timing Functional Model.....	496
Event Timer Functional Model.....	496
Register Reference.....	497
TTC I/O Signals.....	498
Chapter 54: System Watchdog Timers	499
Features.....	499
System Perspective.....	501
Window Watchdog Timer Mode.....	506
Generic Watchdog Timer Mode.....	518
Register Reference.....	520
SWDT I/O Signals.....	521
Section XI: Memory	523
Chapter 55: Overview	524
Chapter 56: On-Chip Memory	526
Features.....	526
System Perspective.....	527
States.....	527
Address Map.....	528
Memory Address Protection.....	528
ECC Protection.....	529
ECC Operations.....	529
Chapter 57: Battery-Backed RAM	531
Chapter 58: Accelerator RAM	533
Chapter 59: External Memories	534
Chapter 60: Embedded Addressable Memories	535

Chapter 61: Small Storage Elements.....	536
Chapter 62: PL Memory Building Blocks.....	537
Block RAM.....	537
UltraRAM.....	538
Section XII: I/O Peripheral Controllers.....	540
Chapter 63: CAN FD Controller.....	541
Features.....	541
System Perspective.....	543
Modes and States.....	547
Configuration Sequence.....	553
Message Transmission.....	554
Message Reception.....	557
Register Reference.....	560
I/O Signal Reference.....	563
Chapter 64: Gigabit Ethernet MAC.....	564
Features.....	565
System Perspective.....	567
Modes and States.....	574
Memory Packet Descriptors.....	575
DMA AXI Transactions.....	576
Transmit Dataflow.....	578
MAC Transmitter.....	582
Receive Dataflow.....	585
MAC Receiver.....	590
Precision Timestamp Unit.....	597
MAC Pause Frames.....	599
Checksum Hardware.....	602
Register Reference.....	604
I/O Signal Reference.....	610
Chapter 65: GPIO Controller.....	613
Features.....	613
System Perspective.....	615
Channel Block Diagram.....	618

Input Programming Model.....	619
Interrupt Programming Model.....	620
Output Programming Model.....	621
Registers.....	621
GPIO I/O Signals.....	624
Chapter 66: I2C Controller.....	626
Features.....	627
System Perspective.....	628
Programming Model.....	629
Programming Sequences.....	635
Software Routines.....	637
Register Reference.....	648
I2C I/O Interface.....	650
Chapter 67: SPI Controller.....	652
Features.....	652
System Perspective.....	653
Modes and States.....	656
Functional Diagram.....	657
Data Transfer.....	659
Register Reference.....	661
I/O Interface.....	662
Chapter 68: UART Controller.....	663
Features.....	663
System Perspective.....	664
Modes and States.....	666
UART Functionality.....	667
IrDA Functionality.....	673
Interrupts.....	675
Registers.....	677
UART I/O Signals.....	679
Chapter 69: USB 2.0 Controller.....	681
Features	681
System Perspective.....	682
Host Mode Data Structures.....	687
Register Reference.....	689

USB I/O Signals.....	696
Section XIII: Flash Memory Controllers.....	697
Chapter 70: Octal SPI Controller.....	698
Features.....	699
System Perspective.....	699
Access Modes.....	703
DMA Programming Model.....	706
Interrupts.....	710
Register Reference.....	711
OSPI I/O Interface.....	714
Chapter 71: Quad SPI Controller.....	716
Features.....	717
System Perspective.....	717
Modes and States.....	723
I/O Programming.....	725
Command Words.....	727
Programming.....	728
PIO Mode Programming Model.....	731
DMA Programming Model.....	732
Polling Programming Model.....	732
Register Reference.....	733
QSPI I/O Interface.....	734
Chapter 72: SD/eMMC Controllers.....	737
Features.....	737
System Perspective.....	739
Modes and States.....	744
Main Functionality.....	745
I/O Functionality.....	747
I/O Clock Functionality.....	749
SD Commands.....	758
Register-driven DMA Mode.....	761
Descriptor-driven DMA Mode.....	761
Software Routines.....	761
Register Reference.....	762
I/O Signals.....	767

Section XIV: Clocks, Resets, and Power	769
Chapter 73: Clocks	770
Clock Distribution Diagram.....	771
Clock Frequency Considerations.....	773
PMC Source Clocks.....	775
PLL Clock Generators.....	776
Reference Clock Frequency Dividers.....	777
Registers.....	778
Chapter 74: Clock Monitor	783
Base Time Period.....	783
Calculate Threshold Counts.....	784
Monitored Clocks.....	785
Interrupts.....	785
Register Reference.....	786
Chapter 75: Resets	787
Comparison to Previous Generation Xilinx Devices.....	788
System Perspective.....	789
Resets Overview.....	793
POR_B Reset.....	796
System Integrity Monitoring.....	798
Reset Reference for Individual Blocks.....	799
Persistent Registers.....	803
Chapter 76: Power	808
Power Diagram.....	809
Power Domains.....	811
Power Domain State Requirements.....	811
Power Islands.....	811
Section XV: Test and Debug	813
Chapter 77: Overview	814
Chapter 78: Integrated Debug	815
JTAG and Boundary-Scan.....	816

Arm DAP Controller.....	825
Debug Packet Controller.....	826
Chapter 79: CoreSight Debug.....	830
Funnels.....	830
Cross-Trigger Functionality.....	831
Trace Port Interface Unit.....	835
CoreSight Register Reference.....	838
Debug Timestamp Counter.....	838
Appendix A: Additional Resources and Legal Notices.....	839
Xilinx Resources.....	839
Documentation Navigator and Design Hubs.....	839
References.....	839
Revision History.....	841
Arm Documents.....	852
Please Read: Important Legal Notices.....	853

Introduction

This section includes these chapters:

- [Introduction to Versal ACAP](#)
- [Navigating Content by Design Process](#)
- [Device Overview](#)
- [Documentation](#)

Introduction to Versal ACAP

Versal® adaptive compute acceleration platforms (ACAPs) combine Scalar Engines, Adaptable Engines, and Intelligent Engines with leading-edge memory and interfacing technologies to deliver powerful heterogeneous acceleration for any application. Most importantly, Versal ACAP hardware and software are targeted for programming and optimization by data scientists and software and hardware developers. Versal ACAPs are enabled by a host of tools, software, libraries, IP, middleware, and frameworks to enable all industry-standard design flows.

Built on the TSMC 7 nm FinFET process technology, the Versal portfolio is the first platform to combine software programmability and domain-specific hardware acceleration with the adaptability necessary to meet today's rapid pace of innovation. The portfolio includes six series of devices uniquely architected to deliver scalability and AI inference capabilities for a host of applications across different markets—from cloud—to networking—to wireless communications—to edge computing and endpoints.

The Versal architecture combines different engine types with a wealth of connectivity and communication capability and a network on chip (NoC) to enable seamless memory-mapped access to the full height and width of the device. Intelligent Engines are SIMD VLIW AI Engines for adaptive inference and advanced signal processing compute, and DSP Engines for fixed point, floating point, and complex MAC operations. Adaptable Engines are a combination of programmable logic blocks and memory, architected for high-compute density. Scalar Engines, including Arm® Cortex®-A72 and Cortex-R5F processors, allow for intensive compute tasks.

The Versal AI Edge series focuses on AI performance per watt for real-time systems in automated drive, predictive factory and healthcare systems, multi-mission payloads in aerospace & defense, and a breadth of other applications. More than just AI, the Versal AI Edge series accelerates the whole application from sensor to AI to real-time control, all with the highest levels of safety and security to meet critical standards such as ISO26262 and IEC 61508.

The Versal AI Core series delivers breakthrough AI inference acceleration with AI Engines that deliver over 100x greater compute performance than current server-class of CPUs. This series is designed for a breadth of applications, including cloud for dynamic workloads and network for massive bandwidth, all while delivering advanced safety and security features. AI and data scientists, as well as software and hardware developers, can all take advantage of the high-compute density to accelerate the performance of any application.

The Versal Prime series is the foundation and the mid-range of the Versal platform, serving the broadest range of uses across multiple markets. These applications include 100G to 200G networking equipment, network and storage acceleration in the Data Center, communications test equipment, broadcast, and aerospace & defense. The series integrates mainstream 58G transceivers and optimized I/O and DDR connectivity, achieving low-latency acceleration and performance across diverse workloads.

The Versal Premium series provides breakthrough heterogeneous integration, very high-performance compute, connectivity, and security in an adaptable platform with a minimized power and area footprint. The series is designed to exceed the demands of high-bandwidth, compute-intensive applications in wired communications, data center, test & measurement, and other applications. Versal Premium series ACAPs include 112G PAM4 transceivers and integrated blocks for 600G Ethernet, 600G Interlaken, PCI Express® Gen5, and high-speed cryptography.

The Versal HBM series enables the convergence of fast memory, adaptable compute, and secure connectivity in a single platform. The series is architected to keep up with the higher memory needs of the most compute intensive, memory bound applications, providing adaptable acceleration for data center, wired networking, test & measurement, and aerospace & defense applications. Versal HBM ACAPs integrate the most advanced HBM2e DRAM, providing high memory bandwidth and capacity within a single device.

The Versal architecture documentation suite is available at: <https://www.xilinx.com/versal>.

Navigating Content by Design Process

Xilinx® documentation is organized around a set of standard design processes to help you find relevant content for your current development task. All Versal® ACAP design process [Design Hubs](#) and the [Design Flow Assistant](#) materials can be found on the [Xilinx.com](#) website. This document covers the following design processes:

- **System and Solution Planning:** Identifying the components, performance, I/O, and data transfer requirements at a system level. Includes application mapping for the solution to PS, PL, and AI Engine.

The technical reference manual (TRM) describes the overall hardware architecture of the Versal® ACAP and provides details on the blocks in the platform management controller (PMC) and in the processing system (PS). The PS includes the real-time processing unit (RPU), application processing unit (APU), and their peripherals.

- Device-level block diagram: [Device Overview](#) chapter
- [High-level Interconnect Diagrams](#) chapter
- [PMC and PS Architectures](#) chapter
- [PL Fabric Overview](#) chapter
- [Device I/O Connectivity](#) chapter with I/O buffers and transceivers
- [Section XIV: Clocks, Resets, and Power](#) chapter with architectures and controls

There are several device families with different device options. The availability of a specific device option is listed in the *Versal Architecture and Product Data Sheet: Overview* ([DS950](#)). The TRM usually identifies these with the designation: *device option*.

- [Integrated Hardware Options](#)
- [Integrated Peripheral Options](#)
- **Embedded Software Development:** Creating the software platform from the hardware platform and developing the application code using the embedded CPU. Also covers XRT and Graph APIs.

Embedded software runs in the RPU and APU scalar engines in the PS.Arm® Cortex® :

Versal ACAP:

- [Real-time Processing Unit](#): dual-core Cortex-R5F with lock-step option
- [Application Processing Unit](#): dual-core Cortex-A72

Versal ACAP:

The system software boot up and operating system environments are described in the *Versal ACAP System Software Developers Guide (UG1304)*. The PMC modules are described in the [Section VII: Embedded Processor, Configuration, and Security Units](#) section.

- **Board System Design:** Designing a PCB through schematics and board layout. Also involves power, thermal, and signal integrity considerations.

The TRM includes some important information to help with board design planning and development:

- Boot device interfaces: [Boot Modes](#)
- Pin planning for I/O peripherals: [Multiplexed I/O Signals and Pins](#)
- Power controls: [Power Diagram](#)
- JTAG interface: [JTAG and Boundary-Scan](#)

For package and pin information, see the *Versal ACAP Packaging and Pinouts Architecture Manual (AM013)*.

The electrical specifications are provided in the *Versal Prime Series Data Sheet: DC and AC Switching Characteristics (DS956)* and the *Versal AI Core Series Data Sheet: DC and AC Switching Characteristics (DS957)*.

Device Overview

The Versal® ACAP includes extensive functionality for high-end applications that need scalable processing power, integrated functional units, and a large amount of scalable programmable logic that can be dynamically configured and reconfigured during normal operation.

The device is partitioned into the following areas:

- Processing system (PS) with multicore application and multicore real-time processing units
- Platform management controller (PMC) for boot, configuration, monitoring, and power management
- PS manager (PSM) for PS power management
- On-chip memory (OCM) and optional accelerator RAM (XRAM)
- DDR memory controllers with ECC
- High-bandwidth memory (HBM) option
- Programmable logic (PL) with fabric, logic units, memory arrays, and DSP options
- Device-wide network on chip (NoC) interconnect
- Integrated hardware and I/O peripheral options
- Standard LVCMOS HDIO
- Gigabit transceiver options

The architecture includes a rich set of integrated hardware components and many user-programmable design options for system-level solutions. Each device incorporates PL, PS, PMC, and various integrated hardware subsystems and peripherals that are configured with a coherent flow. The PL and PS sections of the device each have many components that can be selectively used as needed and, if included, they are configured and initialized to accommodate different functional and power requirements demanded by the platform solution.

The PL supports AXI SmartConnect core functionality that can be instantiated using a library of LogiCORE™ IPs. The AXI SmartConnect core can be independent within the PL or extended and attached to the PS through several AXI interfaces with and without coherency with the APU system cache.

Additionally, the system is monitored during its runtime to detect errors and provide the necessary means to address the errors as a part of the security, reliability, and safety requirements. The configuration, bring-up, and general platform management tasks include reset, clocking, power management, and system monitoring. This is achieved by the PMC that exists in every device. The PMC also provides a unified interface for the cohesive debug and trace capture on the entire device including the PS, PL, and other components on the device.

All devices are based on the NoC interconnect to link processors and DMA units to system memory, other processors, and other resources within the device and to external devices with the various implementations of a coherent module with PCIe® (CPM) (a device option).

Each device has one or more DDR memory controllers. Some devices include an interface for an in-package HBM.

There are several types of I/O banks spread throughout the device to connect to external devices, including the PMC, PS, and the PL. The I/O banks include PSIO, HDIO, and the GT transceivers.

The size and composition of the PL, the number of memory controllers, the amount of I/O, and the integrated hardware blocks varies by device as defined in the *Versal Architecture and Product Data Sheet: Overview (DS950)*.

There are several power domains with their own package power pins that are color-coded in the following section:

- [Device-Level Block Diagram](#)

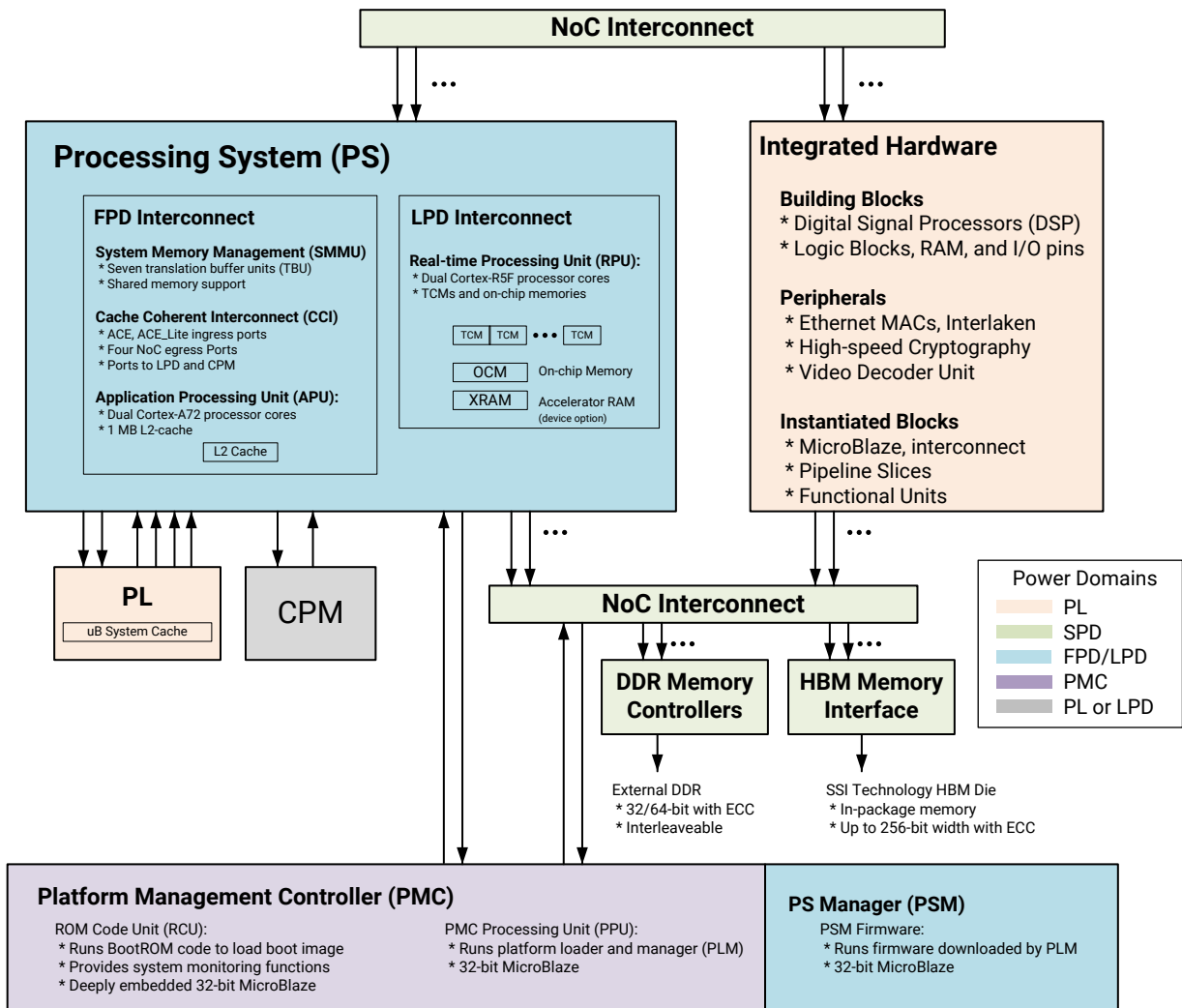
All blocks and subsystems are controlled and monitored with hundreds of register modules. Each module includes twenty to thousands of individual registers. These are documented in several register reference manuals. Most functional units include one register module. Some functional units have multiple register modules. Some register modules are associated with multiple functional units that include the system-level control registers (SLCR) and the clock and reset registers (e.g., CRL). The register modules for the PS and PMC units are accessed by software using single 32-bit read and write transactions to the APB programming interfaces. The register sets for the DDR memory controller, NoC, AI Engine, and other integrated hardware are accessed via the NPI host interface. This interface supports 32-bit burst reads and writes. Access to NPI register modules is controlled by XPPU protection units. The software programming interfaces to read and write registers and program the device are described in [Register Programming Interfaces](#) section.

The device documents are listed in the [Documentation](#) chapter.

Device-Level Block Diagram

The Versal device-level block diagram is shown in the following figure. The PMC and PS implementations are summarized in the [Device Overview](#) chapter.

Figure 1: Device-Level Block Diagram



X24789-041122

System Features

The PS is described in the [Processing System](#) section.

The PMC is described in the [Platform Management Controller](#) section.

NoC Interconnect

The NoC interconnect is pervasive across the device. See *Versal ACAP Programmable Network on Chip and Integrated Memory Controller LogiCORE IP Product Guide (PG313)*.

DDR Memory

The device includes one or more DDR4/LPDDR4 memory controllers.

HBM Memory

Some devices include one or more high-bandwidth memory interfaces that attach to the NoC interconnect and drive I/O buffers to the HBM die within the device. See [High-Bandwidth Memory Interface](#).

Programmable Logic

The PL is a scalable structure that provides the ability to create many possible functions. The integrated hardware options have interconnect interfaces and connections to the PL fabric. The PL I/O includes both LVCMOS buffers and gigabit transceivers that cover a wide range of applications and frequencies. See [PL Fabric Overview](#).

Integrated Hardware Options

- Scalable [AI Engine](#)
- 1 MB [Accelerator RAM](#) (XRAM)
- [Integrated Peripheral Options](#) (includes documentation links):
 - Ethernet MACs, Interlaken
 - Video decoder unit
 - High-speed crypto engine

Coherent Module with PCIe

The coherent module with PCIe (CPM) interconnect provides coherency between the PCIe controllers, a PL processor, and the PS. The CXL module adds memory coherency with external devices over PCIe.

See [Integrated Hardware Options](#). There are multiple types of CPM modules:

- CPM4 with CCIX interconnect (device option in Versal ACAP)
- CPM5 with CXL interconnect (device option in Versal ACAP)

Processing System

Processing System

The Versal ACAP PS includes a dual-core application processing unit (APU) in the full-power domain (FPD) and a dual-core real-time processing unit (RPU) in the low-power domain (LPD).

Operating system software can configure these MPCores in a symmetrical or asymmetrical multiprocessor configuration.

APU

The APU is a dual-core processing unit based on the Arm® Cortex®-A72 cores.

- See [Application Processing Unit](#)

RPU

The RPU is a dual-core processing unit based on the Arm Cortex-R5F2 cores with lockstep support.

- See [Real-time Processing Unit](#)

Processor Communications

Each device includes an inter-processor interrupt controller with small message passing and mutex register functionality.

- [Inter-Processor Interrupts](#) chapter
- [PMC_MUTEX_n](#) registers

Platform Management Controller

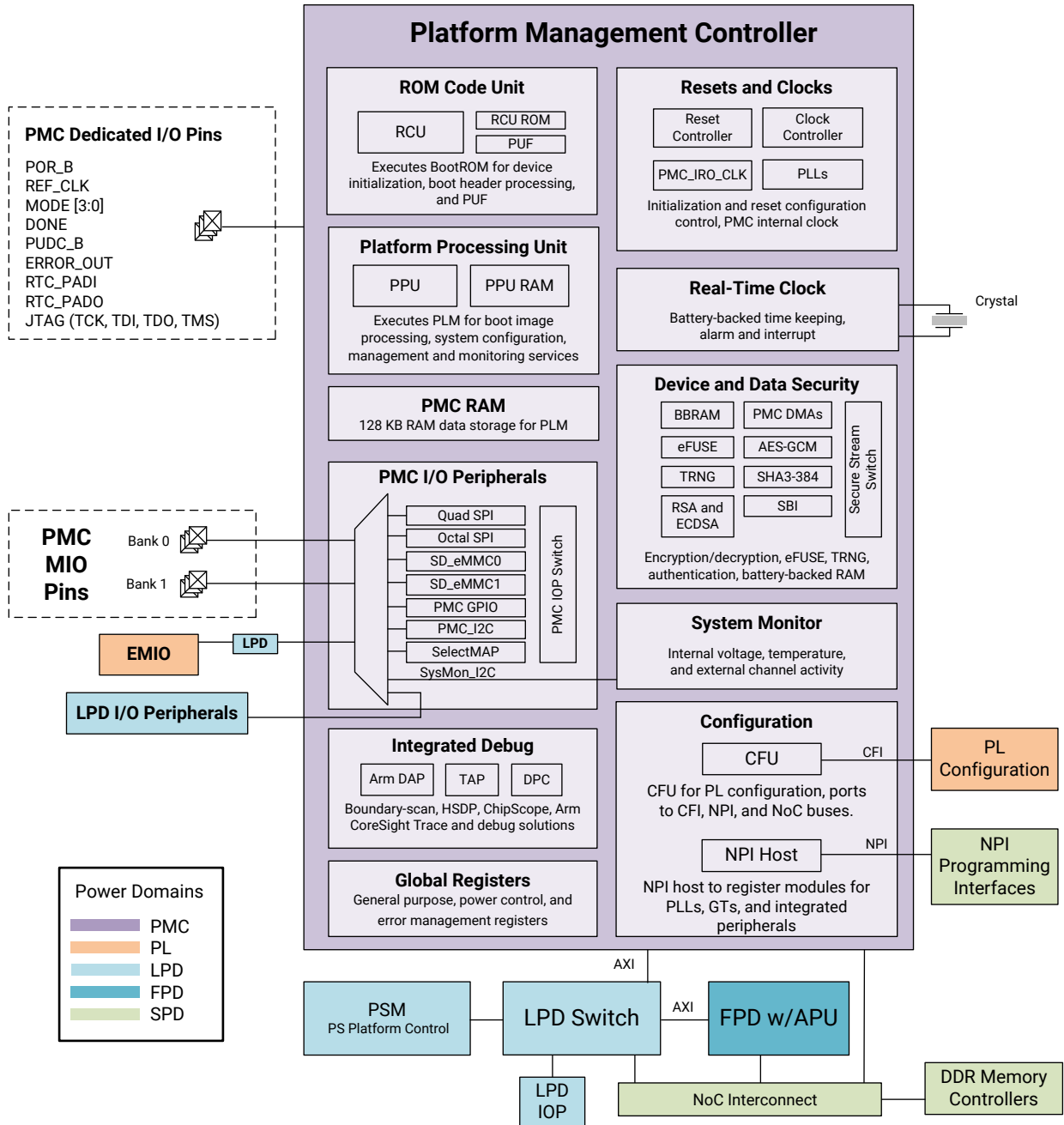
All SoC devices include a PMC. The PMC is responsible for boot, configuration, partial-reconfiguration, and other platform management tasks, such as security. The PMC includes the deeply embedded ROM code unit (RCU) for device boot and a platform processing unit (PPU) that executes the platform loader and manager (PLM) firmware. The PLM also manages the processing system management (PSM) controller firmware downloads.

See [Section III: Platform Boot, Control, and Status](#).

PMC Block Diagram

The platform management controller functional block diagram identifies the blocks and underlying units associated with each primary function.

Figure 2: Platform Management Controller Functional Block Diagram



X23879-101221

Features Supporting System Start-up

The platform management control includes several features to support system start-up, monitoring, and responses to system requests.

- ROM code unit (RCU) triple modular redundant (TMR) MicroBlaze™ processor with a dedicated RCU BootROM for initial device boot and tamper monitoring
- Platform processing unit (PPU) TMR MicroBlaze processor
- System monitor (SYSMON) with temperature and power supply monitoring
- Global registers capture general-purpose, power, and error conditions
- Two streaming DMAs transfer data within the system for configuration and processing

Applications

The general applications include:

- Industrial applications requiring high performance MPCore processors
- Level-3 and above advanced driver-assistance systems (ADAS) and autonomous driving automotive applications
- Wired and wireless
- Embedded computing
- Applications requiring the AI Engine or the programmable fabric

Software Code and Data Files

Software components include the following:

- Real-time and application software:
 - Arm application real-time processors.
 - Platform processing unit (PPU) MicroBlaze™ triple-redundant processor.
 - MicroBlaze processors instantiated in the PL.
- Embedded firmware
 - PLM firmware generated by the design tools to program the PL using the configuration frame unit (CFU).

- PSM firmware to configure the device and provide power management.

Processor Communications

Software has several hardware mechanisms to communicate between processors.

- [Inter-Processor Interrupts](#) with small message buffers.
- Set of 32 mutex registers, [PMC_MUTEX_n](#).

Software Development

Software can be developed on several platforms.

- Bare-metal software stack with standard C libraries: libc and libm, based on the open source Newlib library.
- Middleware libraries that provide networking, file system, and encryption support.
- Application examples include test applications.
- Linux-based tools and operating system software including:
 - PetaLinux to quickly build an embedded OS.
 - U-Boot and Yocto-based tools.

The software environments are described in the *Versal ACAP System Software Developers Guide* ([UG1304](#)).

Debugger

- Xilinx system debugger (XSDB) in coordination with Arm CoreSight™.

Embedded Processor Code

There are three embedded MicroBlaze processors.

- ROM code unit (RCU) executes the BootROM code from read-only memory (ROM)
- PPU processor executes the PLM firmware from RAM, see the [Platform Processing Unit](#) chapter
- PSM processor executes the PSM firmware from RAM, see the [Processing System Manager](#) chapter

The functionality of the BootROM code is described in the [Section III: Platform Boot, Control, and Status](#) section. The functionality of the PLM and PSM firmware is described in the *Versal ACAP System Software Developers Guide* ([UG1304](#)). The MicroBlaze processor is described in the *MicroBlaze Processor Reference Guide* ([UG984](#)).

RCU BootROM Code

The deeply embedded RCU is the first processor to start up after a power-on reset (POR). The RCU executes its BootROM code to initialize the system and validate the boot device. The RCU processes the boot header provided by the boot device. The RCU downloads the platform loader and manager (PLM) firmware into the PPU RAM and releases the reset on the PPU processor.

PLM Firmware Code

The PLM firmware runs on the MicroBlaze-based platform processing unit (PPU). The PLM firmware is generated by the Vivado® and Vitis™ tools and configures the system for device boot. The PLM firmware includes code to support a single download or a series of downloads. After system boot, the PLM goes on to manage system resources.

The PLM reads the programmable device image (PDI) from the boot source and configures the system components for real-time and application program booting. The PLM configuration normally includes NoC initialization, DDR memory controller initialization, programmable logic configuration, and loading real-time and application software in the processing system (PS). The operations and responsibilities of the PLM are defined by the SoC application. When the PS takes control of the SoC, the PLM monitors system activity and responds to system requests from the real-time and application processing units, RPU and APU.

PSM Firmware Code

The embedded processing system manager (PSM) processor executes firmware downloaded by the PLM to control the power management features for the PS. The TRM provides programming models for the power control features in the PMC and PS. This includes power islands, memory chip enables, isolation, and APU sleep/wake events. The PSM is physically located in the low-power domain (LPD), and not the PMC power domain.

Data Packets

There are several types of data packets.

- Debug packet controller with HSDP Aurora I/O for test and debug, see [Debug Packet Controller](#).
- CFFRAMEs to configure the programmable logic, see the [CFU Programming Interface](#) section.

System Performance

There are inherent performance features in the system and several performance related configuration options. The TRM describes the inherent performance features and the functionality that can be used to obtain an optimal configuration.

- Inherent NoC interconnect design features with configurable, multichannel structures
- Multiple interconnect traffic types to control quality of service (QoS)
 - Isochronous for video and other time-sensitive transactions
 - Low latency for communications and other applications
 - Best effort, bulk traffic for large data sets without critical timing needs
- Intelligent DDR memory controller scheduler
- Hardware acceleration in PL instantiated functions

Performance Tuning

Performance tuning builds on the inherent features. This includes properly routing NoC traffic, optimizing the use of the DDR memory controller, and using the QoS traffic types. Performance tuning is not covered in the TRM.

Interconnect Features

The interconnect has dedicated 128-bit AXI channel connections between the subsystems. These include low-latency datapaths and high-throughput datapaths with buffering. There are also noteworthy datapaths.

The interconnect optimizes the performance of the RPU and APU. The interconnect port connections are shown in [PMC-PS-CPM Interconnect Diagram](#) and listed in this section.

Low-latency Datapaths

- APU to NoC: CCI connections to the NoC
- RPU to NoC: AXI egress port on OCM switch
- RPU to OCM: AXI egress port on OCM switch
- RPU to its TCMs: two cycle access with deterministic execution

High-throughput Datapaths

Popular high-throughput datapaths:

- APU to NoC with four CCI egress ports
- RPU to NoC with main switch egress port
- LPD DMA to FPD main switch

Noteworthy Datapaths

- APU to CCI to FPD main switch to OCM switch to OCM and XRAM (optional)

Transaction Quality of Service

Each transaction includes a quality of service (QoS) traffic attribute.

- Low-latency
- Isochronous
- Bulk transfer

The QoS attribute is recognized by the AMBA® switches and DDR memory controller. System performance can be obtained by setting the QoS attributes appropriately. Each master can generate one or more QoS values. The traffic types are detailed in [Quality of Service](#).

Device Comparisons and IP Revisions

The comparisons between the different SoC devices and the IP revision for major blocks are in this chapter:

- [Comparison to Previous Generation Devices](#)

Comparison to Previous Generation Devices

The migration of functionality from a previous generation Xilinx® device to Versal ACAP is captured on a per block basis. There are several *Comparison to Previous Generation Devices* topics throughout the TRM, including:

- [Platform Management Controller \(PMC\)](#)
- [Real-time Processing Unit \(RPU\)](#)
- [Application Processing Unit \(APU\)](#)
- [LPD DMA](#)
- [Platform Processing Unit \(PPU\)](#)
- [Interconnect](#)
- [System Management IDs](#)
- [Inter-processor Interrupts \(IPI\)](#)
- [System Watchdog Timer](#)
- [On-chip Memory](#)
- [CAN FD](#)
- [Gigabit Ethernet MAC \(GEM\)](#)

- [General-purpose I/O \(GPIO\)](#)
- [I2C, SPI](#)
- [UART SBSA](#)
- [USB 2.0](#)
- [Octal SPI](#)
- [Quad SPI](#)
- [SD/eMMC](#)
- [Resets](#)

Note: For additional Versal device comparison information, see *Versal ACAP Design Guide* ([UG1273](#)).

IP Block Revisions

The following table lists the PMC-PS implementation summary organized by TRM section.

Table 1: PMC-PS Implementation Summary Organized by TRM Section

Functional Unit	Description	Instances, Description, and IP Version
Section VI: Engines section		
APU MPCore	Application processor cores.	Dual Arm Cortex-A72 processors with v8-architecture and NEON and VFPv4 floating point A74-MP and MP054 (Arm version r0p3-00rel0).
	Extensions.	Cryptography extension (A72-Crypto, MP055) (version r0p2-00rel0).
APU GIC	Application processor generic interrupt controller.	Generic interrupt controller, GIC-500 (Arm version r1p1-00rel0).
RPU MPCore	Real-time processor cores.	Dual processor cores, Cortex-R5F (Arm version AT570-r1p3-00rel0).
RPU GIC	Real-time processor generic interrupt controller.	PL-390 (Arm version r0p0-00rel2).
LPD_DMA	Descriptor-driven, general purpose DMA unit.	PS DMA Controller chapter.
Section VII: Embedded Processor, Configuration, and Security Units section		
AES-GCM	Security engine for encryption and decryption.	
PMC_AES		Symmetric key cryptography for encryption and decryption, AES. (Athena version ro-2017-12-12).
BGRAM controller	Battery-backed RAM controller Battery-Backed RAM .	PMC

Table 1: PMC-PS Implementation Summary Organized by TRM Section (cont'd)

Functional Unit	Description	Instances, Description, and IP Version
CFU	Configuration frame unit receives commands and read/writes PL configuration regions Configuration Frame Unit .	PMC
PMC DMAs	DMA0 and DMA1; streaming and memory-to-memory transactions on PMC interconnect port.	
DPC	Debug packet controller; connected to the PMC main switch, JTAG, Aurora HSDP, and PL Debug Packet Controller .	
eFUSE controller	Controller for eFUSE array.	
eFUSE cache	Cache of the eFUSEs TBD.	
JTAG TAP controller	TAG test access port controller for boundary scan and Xilinx opcodes.	
JTAG Arm DAP controller	Debug access port controller for PS Arm DAP Controller .	
PPU	Platform Processing Unit .	PMC
PMC_RSA	Security public-key cryptography engine for authentication (RSA/ECDSA) RSA/ECDSA .	
PMC_RSA/ECDSA		Public-key crypto system, RSA, and elliptic curve digital signature algorithm, ECDSA, public-key cryptography enables authentication. (IP Cores version 5X-409603203 r2.0_12_20_2016).
PMC_RTC	Real-Time Clock battery backup time keeping.	
SBI	Boot interface works with SelectMAP and JTAG data flows SBI for JTAG and SelectMAP .	
SHA3-384	Security engine for secure hash to authenticate.	
PMC_TRNG	True random number generator True Random Number Generator .	True random number generator, TRNG, (IP Cores version MP32 core r1.5).
PMC SYSMON	System monitor for measuring temperature and voltage (root and satellite SYSMON units).	Main SYSMON is in the PMC, others are in FPD and elsewhere.
Section VIII: Interconnect section		

Table 1: PMC-PS Implementation Summary Organized by TRM Section (cont'd)

Functional Unit	Description	Instances, Description, and IP Version
AXI interconnect		AXI interconnect switches, NIC-400. AXI Interconnect Switches (Arm version r0p2).
FPD SMMU	System memory management unit, SMMU-500, supports memory virtualization and access protection of peripherals and memory System Memory Management Unit .	Includes 7 TBU instances. (Arm TCU version is r2p4, TBU version is r2p1).
APU cache coherency		Cache coherent interconnect, CCI-500 Cache Coherent Interconnect (Arm version PL422-r1p0-00rel0).
Xilinx memory protection unit (XMPU)	Xilinx Memory Protection Unit .	PMC_XMPU LPD_XMPU
Xilinx peripheral protection unit (XPPU)	Xilinx Peripheral Protection Unit .	PMC_XPPU, PMC_XPPU_NPI
Section X: Timers, Counters, and RTC section.		
SCNTR		System counter, SCNTR. System Counters chapter (Arm version 1.0).
SWDT	System watchdog timer, SWDT, helps to maintain a healthy and secure system by detecting errant software, deadlock conditions, tampering, and unexpected behavior System Watchdog Timers .	System watchdog timer, SWDT (Xilinx version 0.08). LPD_SWDT FPD_SWDT.
TTC	Triple timer counter, TTC Triple-Timer Counters (Cadence version T-CS-PE-0005-100).	Triple timer counter, TTC. Four in PS LPD.
Section XII: I/O Peripheral Controllers section		
CAN FD controller	Controller area network with flexible data-rate, CAN FD.	Controller area network with flexible data-rate, CAN FD (Xilinx version v2.0).
GEM controller		Gigabit Ethernet MAC controller, GXL and RGMII Gigabit Ethernet MAC chapter (Cadence version r1p12). Two in PS LPD.
GPIO	General purpose I/O with output, tristate, and input. Input can be read and generate a system interrupt GPIO Controller .	GPIO controllers. PMC_GPIO has two MIO banks (52 channels total) and two EMIO banks (64 channels total). PS LPD_GPIO has one MIO bank (26 channels) and one EMIO bank (32 channels). PMC_GPIO. PS LPD_GPIO.

Table 1: PMC-PS Implementation Summary Organized by TRM Section (cont'd)

Functional Unit	Description	Instances, Description, and IP Version
I2C	I2C controller I2C Controller (Cadence, dcw0701_R114_f0100_final).	Inter-integrated circuit (I2C) controller. Two LPD_I2Cx. One PMC_I2C. One SysMon_I2C.
I3C	I3C controller.	
SPI controller		SPI controller (two in LPD) SPI Controller chapter. (Cadence version r112).
UART SBSA controller	UART SBSA controller, see UART Controller chapter. (Arm version r1p5-00rel1).	UART SBSA controller: two in PS LPD.
USB 2.0 controller		USB 2.0 controller USB 2.0 Controller chapter. (Synopsys version USB3 3.30a core configured for USB 2.0).
USB 3.0 controller		
Section XIII: Flash Memory Controllers section		
OSPI	Octal SPI flash memory controller, see the Octal SPI Controller chapter (Cadence version DNV3100_R003_F004).	OSPI flash memory controller.
QSPI	Quad SPI flash memory controller, see the Quad SPI Controller chapter (same as MPSoC with DMA addition).	QSPI flash memory controller.
SD_eMMC	SD/SDIO/eMMC controller (eMMC v4.51), SD/eMMC Controllers	SD_eMMC flash memory controller (Arasan version 1p48_140929).
Section XIV: Clocks, Resets, and Power section		
PMC IRO CLK	Silicon-based internal ring oscillator, trimmed.	PMC Source Clocks .
PLLs	PLL clock controllers PLL Clock Generators .	PMC PPLL, NoC NPLL (PMC), LPD RPLL, FPD APLL, CPM CPLL
PMC ClkMon	Clock monitor Clock Monitor .	PMC
Section XV: Test and Debug section		
Integrated debug	High-speed debug port, HSDP, provides a pathway to the GTY and GTYP transceivers for the Aurora packet-based debug unit (Xilinx, 1.0).	

Table 1: PMC-PS Implementation Summary Organized by TRM Section (cont'd)

Functional Unit	Description	Instances, Description, and IP Version
Debug packet controller	See Debug Packet Controller .	
CoreSight	CoreSight™ debug.	CoreSight debug, CS_SoC-400, TM100). (Arm, r3p2-00rel1).
	CoreSight embedded logic analyzer.	CoreSight embedded logic analyzer, ELA-500, TM300. (Arm, r2p2-00rel0).
	CoreSight logic analyzer kit.	CoreSight logic analyzer kit LAK-500 A/I. (Arm, r1p0-00rel0).
	CoreSight Stream.	CoreSight Stream (STM-500, TM963) (Arm, r0p1-00rel1).

Documentation

For the Versal® ACAP, there are many sources of information, including:

- [Versal ACAP Technical Reference Manual Outline](#)
- [Additional Documents](#)
- [Xilinx Documentation Navigator](#) includes a link for downloading DocNav

The *Versal ACAP Technical Reference Manual* provides the details for the PMC and the PS. These are included in the control, interfaces, and processing system (CIPS) IP, which is configured by the CIPS wizard in the Vivado® tools.

Note: The TRM explains functionality with the assumption that a block is present in the system. The term device option is added to identify functionality that is not present in every device. The device variations are defined in the *Versal Architecture and Product Data Sheet: Overview* ([DS950](#)).

Versal ACAP Technical Reference Manual Outline

The *Versal ACAP Technical Reference Manual* describes the overall hardware architecture of the Versal ACAP and the technical details of both the processing system (PS) and the platform management controller (PMC). The documentation for NoC, DDR, and optional integrated hardware is included in the

The control and status registers for the PS and PMC are described in the *Versal ACAP Register Reference* ([AM012](#)). For security-minded applications, see the *Versal ACAP Security Register Reference Manual* (AM018), which requires an active NDA to download from the [Design Security Lounge](#).

The TRM is divided into sections that provide hardware architecture information on the PS and the PMC. The TRM also provides references to companion documentation that complement the TRM and provide detailed information outside of the PS and the PMC.

The outline of the TRM is described in this section.

Device and Document Overview

[Section I: Introduction](#) provides an introduction to the SoC devices.

The TRM technical content begins with [Section II: Hardware Architecture](#). This is a hardware-centric section that covers the entire device. This section includes links to other parts of the TRM and to companion documents that include extensive technical information.

Platform Boot, Control and Status Functionality

The reset response, boot flow, and runtime services are provided by the PMC. The start-up activities of the PMC are described in [Section III: Platform Boot, Control, and Status](#). The chapters in this section describe how the device comes up after a reset and how to manage the platform during normal device operation.

Global Address Maps and Signals

The TRM includes two reference sections for address maps, control register summaries, and tables that list the signals, interfaces, and pins. These sections include device-wide content.

- [Section IV: Address Maps and Programming Interfaces](#)
- [Section V: Signals, Interfaces, Pins, and Controls](#)

PMC and PS Hardware

The remainder of the TRM includes multiple technical reference sections that illustrate the detailed architectures and describe the functional models of each block in the PMC and PS.

- [Section VI: Engines](#)
- [Section VII: Embedded Processor, Configuration, and Security Units](#)
- [Section VIII: Interconnect](#)
- [Section IX: Interrupts and Errors](#)
- [Section X: Timers, Counters, and RTC](#)
- [Section XI: Memory](#)
- [Section XII: I/O Peripheral Controllers](#)
- [Section XIII: Flash Memory Controllers](#)

Clocks, Resets, Power, Test, and Debug

The clocks, resets, power, test, and debug are described in the following sections.

- [Section XIV: Clocks, Resets, and Power](#)
- [Section XV: Test and Debug](#)

Additional Documents

The *Versal ACAP Technical Reference Manual* ([AM011](#)) is complemented by the *Versal ACAP Register Reference* ([AM012](#)), which is an HTML-based document that summarizes the register sets and provides detailed explanations for each register and bit field for the PMC and PS functional units. For security-minded applications, additional security related documents are available under NDA in the [Design Security Lounge](#).

There are several device families with different options for size and functionality. The device-level options are listed in the *Versal Architecture and Product Data Sheet: Overview* ([DS950](#)).

The *Versal ACAP System Software Developers Guide* ([UG1304](#)) describes the software boot sequences after the PMC has prepared the system for the boot and has fetched the boot image from the boot device.

For pin and package information, see the *Versal ACAP Packaging and Pinouts Architecture Manual* ([AM013](#)).

The electrical specifications are provided in the *Versal Prime Series Data Sheet: DC and AC Switching Characteristics* ([DS956](#)) and the *Versal AI Core Series Data Sheet: DC and AC Switching Characteristics* ([DS957](#)) documents.

Integrated Hardware

The integrated hardware documents include:

- *Versal ACAP System Monitor Architecture Manual* ([AM006](#))
- *Versal ACAP AI Engine Architecture Manual* ([AM009](#))
- *Versal ACAP CPM CCIX Architecture Manual* ([AM016](#))

PL Memory and Building Blocks

The hardware documents for the memory and building blocks in the PL include:

- *Versal ACAP Clocking Resources Architecture Manual* ([AM003](#))
- *Versal ACAP DSP Engine Architecture Manual* ([AM004](#))
- *Versal ACAP Configurable Logic Block Architecture Manual* ([AM005](#))
- *Versal ACAP Memory Resources Architecture Manual* ([AM007](#))

Coherent PCIe Modules

Product guides for CPM4 include:

- *Versal ACAP CPM Mode for PCI Express Product Guide* ([PG346](#))

- *Versal ACAP CPM DMA and Bridge Mode for PCI Express Product Guide* ([PG347](#))

I/O Buffers

The hardware documents for the device I/O buffers include:

- *Versal ACAP GTY and GTYP Transceivers Architecture Manual* ([AM002](#))
- *Versal ACAP SelectIO Resources Architecture Manual* ([AM010](#))

AC/DC Data Sheets

The AC and DC specifications are defined for each series:

- *Versal Prime Series Data Sheet: DC and AC Switching Characteristics* ([DS956](#))
- *Versal AI Core Series Data Sheet: DC and AC Switching Characteristics* ([DS957](#))

PCB Design Guide

Information for PCB schematic and layout are provided in the:

- *Versal ACAP PCB Design User Guide* ([UG863](#))

Xilinx Documentation Navigator

The documentation navigator (DocNav) provides an easy way to find the right documentation, learn about new topics, download locally, and more.

See the [Xilinx Document Navigator Download Site](#).

Hardware Architecture

This section includes these chapters:

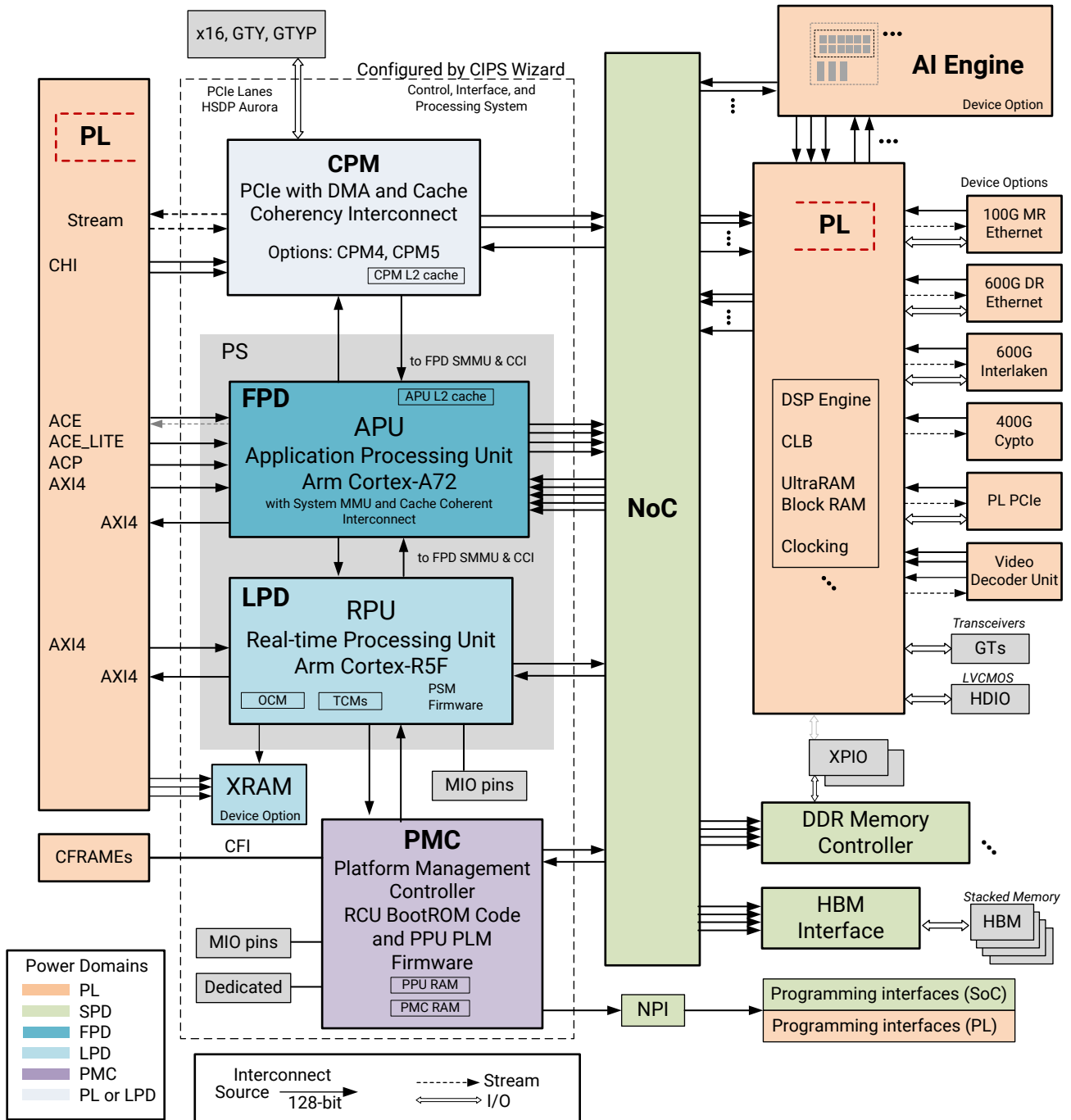
- [High-level Interconnect Diagrams](#)
- [PMC and PS Architectures](#)
- [Integrated Peripheral Options](#)
- [Integrated Hardware](#)
- [PL Fabric Overview](#)
- [Device I/O Connectivity](#)
- [Silicon Integrated into Package](#)

High-level Interconnect Diagrams

Device-Level Interconnect Diagram

The Versal® ACAP hardware architecture and interconnect diagram is shown in the following figure. An abstract figure of the Versal device is shown in the [Device Overview](#) chapter.

Figure 3: Device-level Interconnect Architecture



X24257-092721

PMC-PS-CPM Interconnect Diagram

The following figure shows the PS interconnect and its connections to the PMC, CPM, AI Engine, and the PL details for the PS LPD and FPD.

Interconnect block diagrams:

- [LPD PS LPD Interconnect Diagram](#)
- [FPD PS FPD Interconnect Diagram](#)
- Additional interconnect diagrams:
 - For PMC, see [PMC Interconnect Diagram](#)
 - For CPM4, see *Versal ACAP CPM CCIX Architecture Manual (AM016)*
 - For AI Engine, see *Versal ACAP AI Engine Architecture Manual (AM009)*
 - For programmable logic, see the PL [PL Block Diagram](#)

PMC and PS Architectures

- Full-power domain (FPD) functional units and interconnect
- Low-power domain (LPD) functional units and interconnect
- Platform management controller (PMC) functional units and interconnect
- [Integrated Hardware](#)
 - DDR memory controller, programmable logic (PL)
- [Integrated Peripheral Options](#)
 - Ethernet, crypto, Interlaken
- [Integrated Hardware Options](#)
 - AI Engine, XRAM, CPM

Processing System (RPU and APU)

The PS includes two Arm® Cortex®-R5F RPU processors and two Arm Cortex-A72 APU processors. These provide programmers with real-time and application operating environments.

The RPU is in the LPD and the APU is in the FPD.

Platform Management Controller

The system starts up and is controlled by the PMC. The ROM code unit (RCU) boots the hardware and loads the initial platform loader and manager (PLM) firmware into the PPU processor. The PMC is in its own power domain. The boot sequences and platform control functions are described in [Section III: Platform Boot, Control, and Status](#).

The integrated hardware is configured with programmable device image (PDI) files. The PDIs are composed of configuration data object (CDO) files and other elements that are processed by the PLM. This includes configuring the PS, NoC, DDR memory controller, and others. These files are described in the *Versal ACAP System Software Developers Guide* ([UG1304](#)).

Device Components

There are many integrated component and peripheral options in the Versal ACAP that are summarized in the *Versal Architecture and Product Data Sheet: Overview* (DS950) based on device series and device within a series. A high-level summary of all the functional units is include in the TRM in the [Processing System](#) section.

PS FPD Architecture

The FPD includes the Cortex-A72 application processor MPCore (APU) with an L2 cache attached to a Cache Coherent Interconnect (CCI). The transactions from system masters outside of the APU can be routed to the system memory management unit (SMMU) to allow them access to APU shared memory and the APU L2-cache.

PS FPD Interconnect Diagram

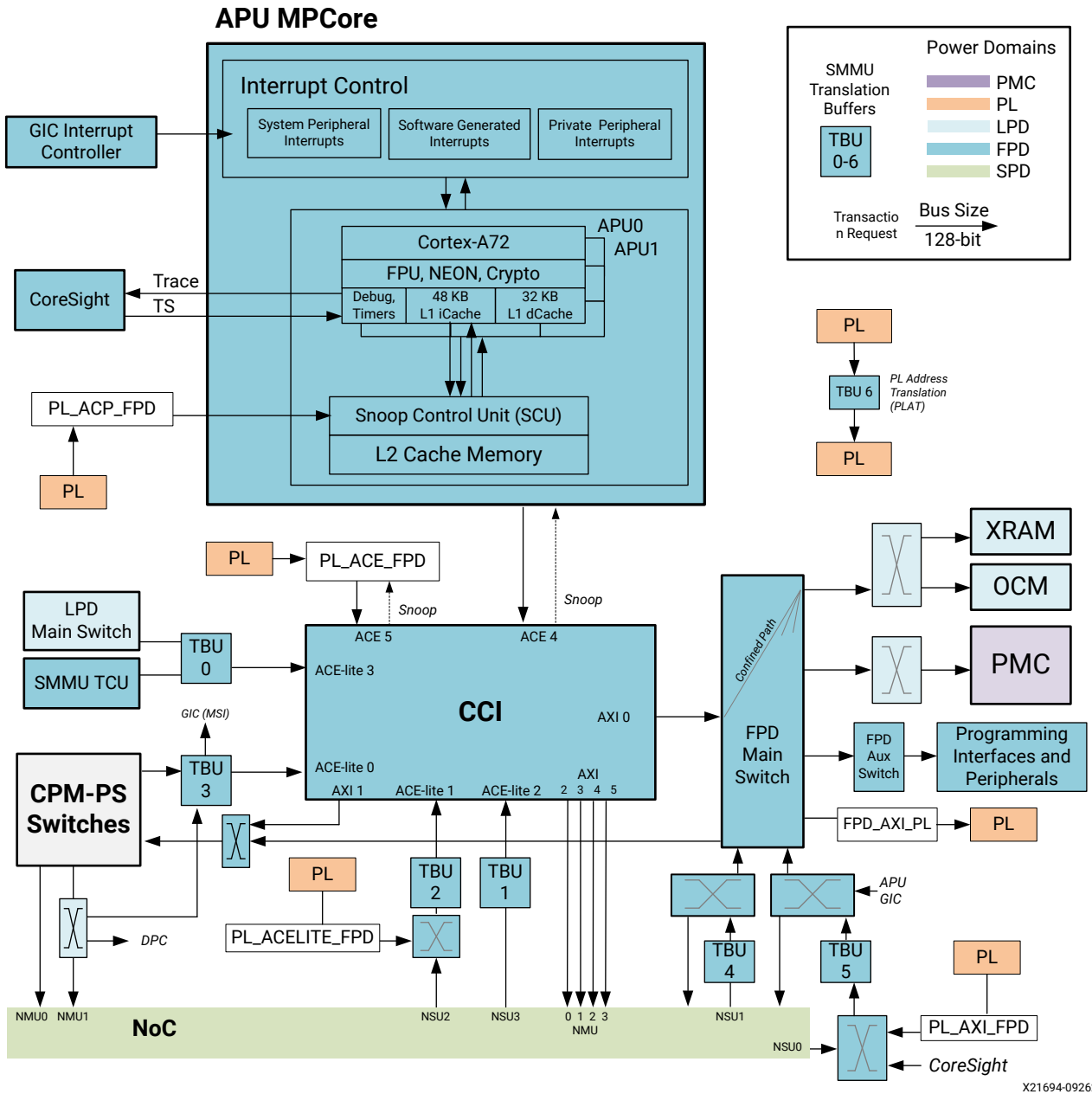
The CCI includes ACE ports to provide full APU L2-cache coherency to a PL master. The two ACE ports can snoop the caches of the two attached processors.

Other system masters connect to the ACE-Lite slave ports on the CCI to optionally provide I/O coherency of their transactions with the APU L2 cache (including the RPU but excluding the LPD DMA unit).

See [Cache Coherent Interconnect](#) chapter for more information.

The FPD interconnect is shown in the following figure.

Figure 5: PS FPD Interconnect Diagram



PS FPD Functional Units

The FPD includes several functional units:

- Application processing unit (APU)
- GIC-500 generic interrupt controller
- System memory management unit (SMMU)

- CCI-500 cache coherent interconnect
- Peripherals

Application Processing Unit

The application processing unit (APU) is based on a dual-core Arm[®] Cortex[®]-A72 processors with the system memory management unit (SMMU), cache coherent interconnect (CCI) unit, interconnect channels to the rest of the system, and system peripherals. The SMMU and CCI work together to provide a shared memory environment between the PS, PMC, and PL processors that can be tied to the APU 1 MB L2 cache. See the [Application Processing Unit](#) chapter for more information.

The APU processors can be used for computations, control-plane applications, operating systems, communications interfaces, and more. The TRM describes the architecture and the programming model for the APU functional units. Linux and bare-metal software stacks execute in the APU and RPU in a homogeneous or a heterogeneous environment. The APU software environment is described in the *Versal ACAP System Software Developers Guide* ([UG1304](#)).

GIC Interrupt Controller

To manage system interrupts, the APU includes the GIC interrupt controller, which is based on the Arm GIC-500 generic interrupt controller and is compatible with the Arm GIC v3 architecture. See the [GIC-500 Interrupt Controller](#) section for more information.

System Memory Management Unit

The [System Memory Management Unit](#) (SMMU) translates 48-bit virtual addresses into 44-bit physical addresses. It has 7 individual table buffer units (TBU) that is managed by one translation control unit (TCU).

Cache Coherent Interconnect

The Versal device includes an APU L2-cache that is accessible by routing transactions through the SMMU for translation to a physical address for the [Cache Coherent Interconnect](#) (CCI).

Peripherals

System watchdog timer (SWDT) for healthy and secure software ([System Watchdog Timers](#)).

PS LPD Architecture

The PS low-power domain (LPD) includes the Cortex-R5F MPCore processors with their tightly-coupled memories (TCM), OCM memory, I/O peripherals (IOP), and the PSM controller for PS power control. The RPU also has a direct interconnect to the accelerator RAM (XRAM, if present) that can be partitioned and shared with logic in the PL.

PS LPD Interconnect Diagram

The PS LPD interconnect includes the RPU MPCore, OCM, PSM controller, and the I/O peripherals. The following figure shows a block diagram of the LPD.

- OCM switch and memory
- Peripherals

Real-time Processing Unit

The real-time processing unit (RPU) is based on a dual-core Arm Cortex-R5F processor with L1 caches and tightly-coupled memories (TCMs) that are dedicated to the RPU cores. The CPUs feature out-of-order execution that is coupled with a single/double precision floating point unit (FPU). The processor also includes a general interrupt controller (GIC PL-390) to receive system interrupts.

The RPU can be configured into a dual-processor mode for greatest performance or into a lock-step mode for greatest safety. Each processor core includes L1 instruction and data caches and three banks of TCMs. The RPU can provide deterministic execution times for real-time applications by operating out of the TCM memory.

The TRM describes the architecture and the programming model for the controllers and other functional units. Linux and bare-metal software stacks execute in the APU and RPU in a homogeneous or a heterogeneous environment. Software environments within the APU can be partitioned on a hardware basis.

The RPU is described in the [Real-time Processing Unit](#) chapter. The software programming environment is described in the *Versal ACAP System Software Developers Guide* ([UG1304](#)).

Each Cortex-R5F core includes:

- 32 KB L1 instruction cache with ECC
- 32 KB L1 data cache with ECC
- FPU: single and double precision
- Embedded trace microcell (ETM) to support real-time debug and trace; ETM communicates with the Arm CoreSight™ debug system

Each RPU processor can be individually configured for inter-processor interrupts (IPI). The RPU processors have a common power island. The TCMs are divided into four banks with four power island controls. However, all power islands must be enabled to access any of the TCMs.

The RPU is documented in [Real-time Processing Unit](#) chapter.

PL-390 Generic Interrupt Controller

See [Arm Documents](#).

Tightly-coupled Memories

The RPU TCMs provide a deterministic, low-latency memory space for the RPU. There are multiple memory banks. The TCM banks are protected by ECC. Accesses to the TCMs are not cached.

The distribution of TCM depends on the processor mode:

- Single cycle read access with ECC protection
- Dual-processor, performance mode: each processor has 128 KB of TCM
- Lock-step, safety mode: TCMs are combined for a total of 256 KB of memory

The TCMs are described in [Tightly-coupled Memories](#).

OCM Switch with OCM and XRAM Memory

The OCM switch is optimized to service RPU and APU requests directed to the OCM and accelerator RAM (XRAM) memories.

PS LPD I/O Signals

The LPD has several connections to I/O pins.

- GPIO signals to the 32 PS LPD MIO pins
- Other LPD peripherals

PMC Architecture

Platform Management Functionality

The PMC operations are divided into four phases beginning with hardware resets that start or restart the ROM code unit (RCU). After reset, the RCU executes the BootROM to configure the system to access the boot device and process the boot header. The RCU downloads the platform loader and monitor (PLM) firmware from the boot device and writes it into the PPU memory. It can also load firmware into the processing system manager (PSM) memory. When the RCU finishes with the device boot, the PLM takes control of the system for further configuration and, optionally, loads system software for the RPU, APU, and other processors.

During normal runtime, the PLM works with other parts of the PMC and the PSM firmware to monitor and respond to system requests and events. The PMC is in all devices and is required in all operating modes.

- Hardware reset control circuits and sequencers
- Initialization of the device after a power-on reset (POR) and system reset (SRST) by the RCU BootROM
- Boot and configuration from a supported boot device
- Configure the adaptable engines using the configuration frame interface (CFI)
- Performs security core functions that supports encryption and decryption, authentication, and key management
- Provides test and debug infrastructure to support boundary-scan and Arm CoreSight trace and debug
- Monitors system activity and responds to security and functional safety events
- Releases the PS from reset and provides system power and error management services

Documentation Links

The *Versal ACAP Technical Reference Manual (AM011)*, together with the *Versal ACAP Register Reference (AM012)* describe the details of what can be configured, controlled, and monitored in the PMC.

The TRM includes several PMC-related content areas:

- Section II, Hardware Architecture
 - Basic PMC hardware functionality and architecture are described in the [PMC Architecture](#) chapter.
- Section III, Platform Boot, Control, and Status
 - The progression of activity from reset to device boot to platform management is described in the dedicated [Section III: Platform Boot, Control, and Status](#) section.
- Section VII, Embedded Processor, Configuration, and Security Units
 - The detailed descriptions of the PMC-centric functional units are located in the [Section VII: Embedded Processor, Configuration, and Security Units](#) section.
- Section XIII Flash Memory Controllers
 - All flash memory controllers can optionally be used as a primary boot interface. The general functionality of the flash memory controllers is described in the [Section XIII: Flash Memory Controllers](#) TRM section. The boot devices and flows are described in the [Boot Modes](#) chapter.
- System-level Functionality Sections
 - The [Section XV: Test and Debug](#) TRM section describes the details of the JTAG and CoreSight debug hardware.
 - The clock and reset controllers are described in the [Section XIV: Clocks, Resets, and Power](#) TRM section. Also included in this section is the power architecture of the Versal ACAP.

PMC Interconnect Diagram

The PMC interconnect includes two large AXI switches with several memory protection units. The PMC also includes an AXI4-Stream switch with channels the SBI, DMA, AES, and SHA3. The DPC and JTAG integrated debug include several different interfaces and special-use channels.

AXI Switches

The PMC interconnect includes the following switches:

- PMC main switch, including the Aux and APB switches
- PMC IOP switch

Memory Protection Units

The PMC interconnect provides access to protection units for the following:

- Xilinx memory protection unit (XMPU) for the PMC_RAM
- XPPU_NPI controller dedicated to the NPI host bus controller
- XPPU controller used for the PMC peripheral interfaces

For more information, see [Xilinx Memory Protection Unit](#) and [Xilinx Peripheral Protection Unit](#).

Secure Stream Switch

Secure stream switch (SSS) is based on the AXI4-Stream protocol.

- Links security accelerators, SBI, and PMC DMAs

DPC Channels

- SBI enables the JTAG or SelectMAP interface
- AXI 128-bit interface link to the PS and the NoC, with conversion of the NoC protocol handled outside of the PMC
- AXI 32-bit controller port that links to the NPI host controller for the NPI programming interfaces

Configuration Frame Interface

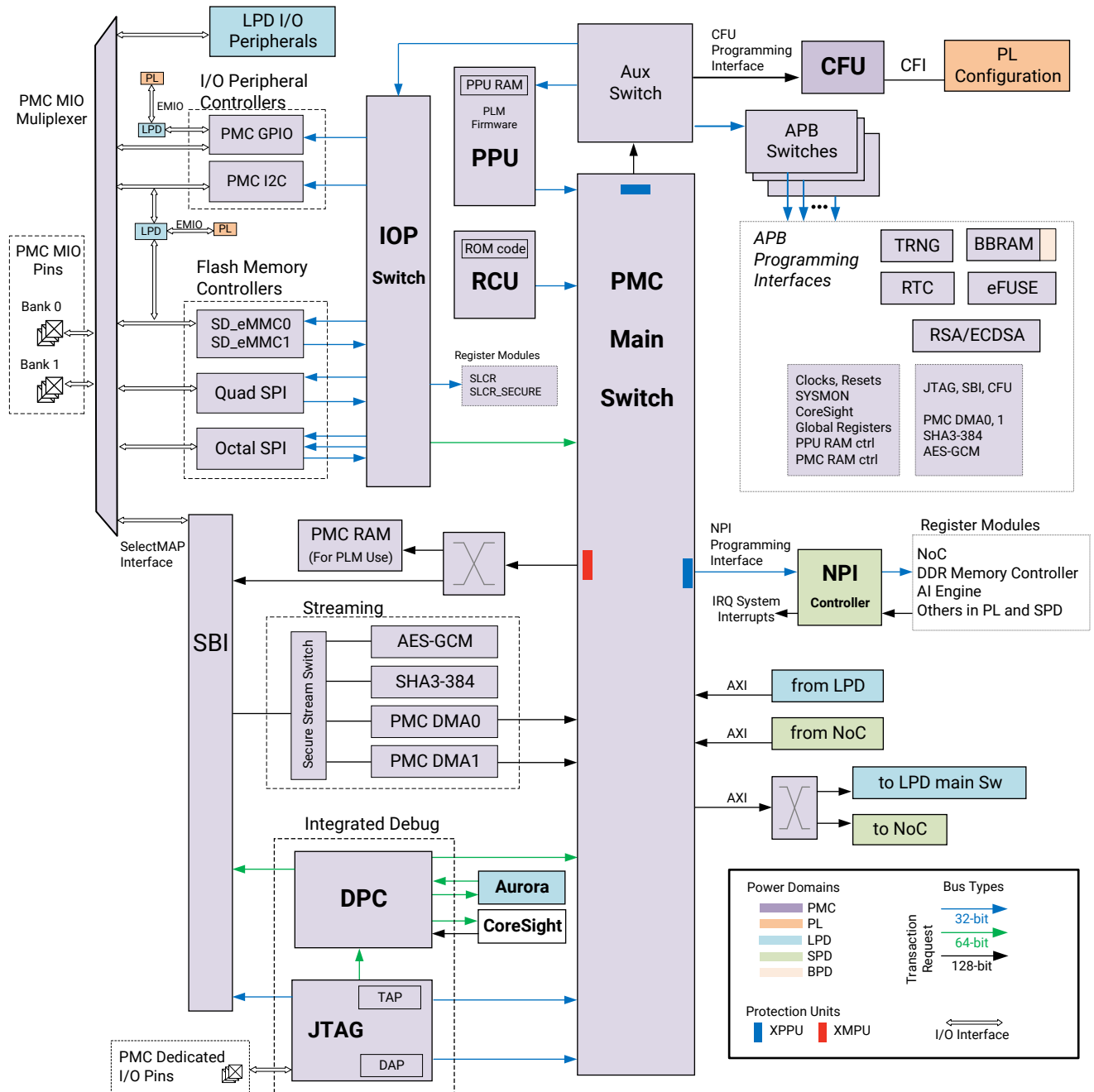
Configuration frame interface (CFI) is a dedicated high-bandwidth 128-bit bus to the PL.

- Configuration
- Readback

Block Diagram

The PMC interconnect is shown in the following figure.

Figure 7: PMC Interconnect Block Diagram



X22535-040422

PMC Functional Units

The PMC consists of control units and functional groups classified as blocks. The RCU and the PPU provide the central control and manage the PMC blocks.

ROM Code Unit

The RCU includes a MicroBlaze™ triple modular redundant system that exclusively executes the BootROM. The RCU is the first processing unit out of reset during boot and performs the device initialization, boot interface validation, and the loading of the platform loader and manager (PLM) into the PPU RAM. The RCU releases the PPU from reset and is responsible for PUF management.

Platform Processing Unit

The PPU includes a MicroBlaze triple modular redundant system that executes the platform loader and manager (PLM) software loaded into the PPU RAM by the RCU during hardware boot. The PLM is responsible for device boot and configuration and post-boot services. See [Platform Processing Unit](#) for more information.

Interconnect

The interconnect includes the main switch, the IOP switch, and other interconnects for the NPI and CFI programming interfaces. The RCU and PPU are masters on the main switch. The architecture allows PMC masters to access peripherals in the LPD. It can allow processors in other power domains to access PMC peripherals.

PMC RAM

The PMC RAM is a 128 KB RAM that is used by the PLM. This is in addition to the 384 KB PPU RAM in the PPU.

I/O Peripherals

The PMC I/O peripheral (IOP) block is a collection of peripheral controllers for initial boot and board control. The PMC IOP controllers on the PMC power domain include SD/eMMC, quad SPI, octal SPI, I2C, and two GPIOs. See the [Section XII: I/O Peripheral Controllers](#) and the [Section XIII: Flash Memory Controllers](#) for more information.

Integrated Debug

The PMC integrated debug block includes the TAP controller, Arm DAP controller, and debug packet controller (DPC). This block supports basic device JTAG operations, ChipScope debug solution, Arm CoreSight trace and debug, and the high-speed debug solution. See [Section XV: Test and Debug](#) for more information.

Run-time Service Request Registers

There are several sets of runtime service request registers. These are written to by system software to interrupt the platform loader and manager (PLM) running in the PPU processor.

System Error Accumulator

The system error accumulator enables system errors to generate an event. Events include asserting the ERROR_OUT pin, issuing a system or a POR, or asserting an interrupt to the PLM on PPU or the PSM firmware. See [Error Accumulator Modules](#) for more information.

System Interrupts

The PMC is a general interrupt controller (GIC) proxy for system interrupts. The PMC and PSM global register module includes interrupt status and mask registers for the 150+ system interrupts. See [System Interrupts](#) for more information.

Inter-processor Interrupts

The PMC PPU uses the inter-processor interrupt (IPI) mechanism to send and receive interrupts from other processors; including the RPU, APU and PL-based processors. Each interrupt can include a short, 32 byte message. See [Inter-Processor Interrupts](#) for more information.

Resets and Clocks

The reset and clock functionality includes power-on reset and PLL-based clock sources. The PMC manages the clock hierarchy. At start-up, the reset controller ensures that the PMC (VCC_PMC, VCCAUX_PMC, VCCO_503) voltage rails are within their minimum operating range. The PMC clock controller provides programming registers for the PMC and NoC PLLs (PPLL, NPLL) and the clock generators for the reference clocks routed to the blocks. The PMC low-level reset functionality is described in [Resets](#). Clocking is described in [Clocks](#).

Real-Time Clock

The RTC maintains an accurate time base for system and application software when the device is Off. The RTC has an alarm setting and can generate periodic interrupts to the PMC and other processors within the device. The RTC operates on the PMC auxiliary power domain when the device is On, or operates on the battery power domain when the device is off. The alarm feature can be used for user-level system services. See [Real-Time Clock](#) for more information.

System Monitor

The System Monitor (SYSMON) resides in the PMC and monitors operating conditions on the device. The SYSMON can access internal sensors for monitoring internal power supplies and temperature. MIO or high-density I/O (HDIO) pins can be used by the SYSMON for measuring voltage levels external to the device. The results captured by the SYSMON are stored in a register map that is accessible through platform management controller resources. See the *Versal ACAP System Monitor Architecture Manual (AM006)* for more information.

Device and Data Security

The PMC device and data security block supports secure boot and security management. This block includes the Xilinx hardware cryptographic accelerators, secure stream switch (SSS), the PMC DMAs, BBRAM controller, eFUSE controller, and the slave boot interface (SBI). Operations are described in [Security Management](#). Functionality is described in [Section VII: Embedded Processor, Configuration, and Security Units](#).

Configuration

The configuration block consists of the configuration frame unit (CFU) and the configuration frame interface (CFI) port. In addition to the PL configuration CFU interface, the integrated hardware is configured with AXI4 ports to the NoC and NPI.

The CFU is a bridge between the PMC main switch and the CFI, and handles the transfer of configuration data to the programmable logic configuration RAM (CRAM).

Peripherals

- I/O features
 - One bank of [Power and PMC Dedicated Pins](#) for mode, ref_clk, JTAG, RTC, reset, and status
 - Two banks of [PMC Multiplexed I/O Signals and Pins](#) for flash memory controllers, IO peripheral controllers and SelectMAP
- [Section XII: I/O Peripheral Controllers](#) section
 - I2C controller
 - GPIO controller
- [Section XIII: Flash Memory Controllers](#) section
 - Quad SPI flash controller
 - Octal SPI flash controller
 - Two SD/eMMC flash controllers with delay-locked loop (DLL)
- [Section XI: Memory](#) section

- 384 KB PPU RAM dedicated to the platform loader and manager (PLM)
- 128 KB PMC RAM dedicated to the PLM firmware
- [Section XIV: Clocks, Resets, and Power](#) section
 - PMC phase-locked loop (PPLL) generates the clock for flash interfaces and PMC controllers
 - NoC phase-locked loop (NPLL) generates the clock for the network on chip (NoC) and PL fabric clocks
 - Internal ring oscillator clock (PMC_IRO_CLK) provides the main clock to the PMC (clocks the RCU, PPU)
- [Real-Time Clock \(RTC\)](#) time keeping
- [Section XV: Test and Debug](#) section
 - Debug packet controller (DPC) processes data packets for the high-speed debug port (HSDP) solution
 - Single JTAG TAP controller supports boundary-scan, configuration and debug
 - Single JTAG DAP controller supports Arm CoreSight trace and debug
- Security features and accelerators
 - Xilinx memory protection unit (PMC_XMPU) for SBI and PMC RAM
 - Xilinx peripheral protection units (PMC_XPPU) for I/O peripheral register modules, I/O peripheral memory space, and CFU
 - Xilinx peripheral protection units (PMC_NPI_XPPU) for NPI programming interface
 - Physical unclonable function (PUF) generates two device unique signatures per die. One signature is used for the key encryption key (KEK) and one signature is used as an identification value.
 - Battery-backed RAM (BBRAM) supports security key storage
 - eFUSE non-volatile memory supports security key storage
 - DNA unique identifier provides product traceability
 - Xilinx hardware cryptographic accelerators
 - True random number generator (TRNG) generates cryptographically strong random numbers
 - RSA and elliptic curve digital signature algorithm (ECDSA) public-key cryptography enables authentication
 - AES-GCM for symmetric key cryptography enables encryption and decryption
 - SHA3-384 secure hash is used with the asymmetric algorithms to authenticate the programming device image

PMC I/O Signals

The PMC top-level I/O connections facilitate system management. Each Versal® ACAP has 67 pins associated with the PMC power domain. To support core device functions and status, 15 of these pins are dedicated I/O.

The remaining 52 pins are PMC multiplexed I/O (MIO) that support the flash peripherals used to boot the device and I/O peripherals used to provide board control functions. The PMC MIO pins are split across bank 0 (Bank_500) and bank 1 (Bank_501). Each MIO bank contains 26 I/Os.

The PMC SDIO flash controllers and I/O peripherals can use the PL HDIO instead of the PMC MIO. When the PMC peripherals use the PL HDIO they are called extended MIO (EMIO). EMIO require the PMC, LPD, and PL power domains to be powered because the PMC EMIO signals route through the LPD.

For more information on the PMC I/O, see [Section V: Signals, Interfaces, Pins, and Controls](#).

Figure 8: PMC I/O



X21500-102020

Integrated Hardware

All SoC devices include the platform management controller, the processing system, NoC interconnect, DDR memory controllers, and programmable logic regions.

The functionality of the Versal® device PMC and PS are the same across all devices. The standard integrated hardware includes:

- [DDR4 Memory Controller](#)
- [PL Building Blocks](#)
- [Embedded Memories](#)
- [Test and Debug](#)

DDR4 Memory Controller

The integrated DDR memory controller (DDRMC) is attached to the NoC interconnect. The controller supports both the DDR4 and LPDDR4 memory interfaces. It can be configured with a 32-bit or 64-bit DRAM data interface with or without ECC. Some devices include multiple DDR memory controllers. The DDRMC has four NoC interface ports to handle multiple streams of traffic and supports quality of service (QoS) classes to ensure appropriate prioritization of the memory requests inside the controller.

Each DDRMC also includes a Xilinx memory protection unit (XMPU) to only allow authorized accesses by specific transactions with proper security and read/write attributes.

For more information on the integrated DDRMC, see the *Versal ACAP Programmable Network on Chip and Integrated Memory Controller LogiCORE IP Product Guide* ([PG313](#)).

PL Building Blocks

The PL includes adaptable components to create all types of functionality. The functions include custom data manipulation and transport protocol, non-vector-based computational units, and interfacing to the PS, integrated hardware, and integrated peripherals. The [PL Fabric Overview](#) chapter introduces the PL and has links to additional documentation.

Network on Chip Interconnect

The network on chip (NoC) interconnect spans the entire device to enable most any master to potentially reach most any destination. The global address maps are based on the NoC interconnect.

The configurable NoC is an AXI4-based network to route high-bandwidth, real-time, and low-latency connections. The NoC extends in both horizontal and vertical directions to the edges of the device. The multichannel structures provide several options for routing and isolating traffic. The NoC is a full blocking crossbar between memory controllers, programmable logic, processing system, AI Engines, and the platform management controller.

NoC connections include:

- DDR memory controller ports
- PL to PL connections
- Memory mapped access to the AI Engine
- Connecting between PS and PL

In devices built using stacked silicon interconnect (SSI) technology, the vertical NoC columns connect between adjacent super logic regions (SLRs), which allows device configuration data to travel between SLRs.

NoC functionality is described in the *Versal ACAP Programmable Network on Chip and Integrated Memory Controller LogiCORE IP Product Guide (PG313)*.

Embedded Memories

There are many RAM memory arrays embedded in the Versal device. Most are protected by parity or ECC to support safety applications. The embedded memories are summarized with additional documentation references in the [Section XI: Memory](#) section of the TRM.

On-chip Memory

The on-chip memory (OCM) is accessible from the LPD OCM interconnect switch. The OCM is described in the [On-Chip Memory](#) section.

PMC RAM Memory

The PMC includes the PPU and PMC memories:

- 256 KB PPU processor RAM for instruction and data

- 128 KB PMC system RAM for data structures

RPU Tightly-coupled Memory

Each RPU core includes 128 KB of tightly-coupled memory (TCM) in three banks per core. Each pair of cores can be configured in two groups for high-performance dual processor mode, and grouped together for high-safety, lock-step mode. All of these memories are ECC protected.

- See the [Tightly-coupled Memories](#) section in the Versal ACAP RPU chapter.

PL Memories

The PL includes block RAM and UltraRAM memory cores scattered throughout the array, which includes ECC bits on 64 byte data segments. The block RAM and UltraRAM are described in the *Versal ACAP Memory Resources Architecture Manual* ([AM007](#)).

Buffers, FIFOs, and Caches

The last group of RAMs are scattered in various blocks for buffers, FIFOs, and caches.

Test and Debug

Test and debug are divided into integrated debug and CoreSight™ sections:

- [Integrated Debug](#)
- [CoreSight Debug](#)

Integrated Debug

The integrated debug resides in the PMC/PMCX and includes the test access port (TAP) controller, the Arm® debug access port (DAP) controller, and the debug packet controller (DPC). The TAP controller supports PL configuration, ChipScope™ debug, and JTAG boundary-scan operations. The Arm DAP controller supports the Arm CoreSight debug and trace. The DPC is part of the high-speed debug port (HSDP) and allows access to all debug resources including Arm CoreSight debug and trace and ChipScope.

CoreSight Debug

The CoreSight debug environment is a for software debug and transaction monitoring. It includes intrusive and non-intrusive interfaces into the processing system (PS) and programmable logic (PL). The debug features provide heterogeneous software debug between the RPU, APU, and PL. CoreSight attaches to the debug hooks in the RPU and APU plus an interface to the PL for additional processors in a chip-wide heterogeneous system.

Integrated Hardware Options

The Versal® ACAP includes integrated hardware options. These are components located in the LPD and PL power domains and include connections to the PL fabric.

Note: The options for each device are listed in the *Versal Architecture and Product Data Sheet: Overview (DS950)*. The TRM identifies these as *device options*.

Summary of Hardware Options

The integrated hardware options are shown in the following table.

Table 2: Integrated Hardware Options

Integrated Hardware	Acronym	Power Domain	Note
AI Engine	AI Engine	PL	
Accelerator RAM	XRAM	LPD	Versal ACAP: 4 MB
CPM4 and CPM5 Coherency for PCIe Module with CCIX Cache Coherency	CPM4	PL	Versal ACAP
Coherency for PCIe® with CXL Cache Coherency	CPM5	LPD	Versal ACAP
High-Bandwidth Memory Interface with in-package HBM dies	HBM	SPD	Versal ACAP

AI Engine

The AI Engine includes both compute engines and array interface tiles. The AI Engine compute engines contain a high-performance vector-based single instruction multiple data (SIMD) processor with integrated memory and interconnect ports for streaming, configuration, and debug. The array interface tiles connect the AI Engine to the NoC and the PL.

For an introduction to the AI Engine, see *Xilinx AI Engine and Their Applications (WP506)*. The hardware description is in the *Versal ACAP AI Engine Architecture Manual (AM009)*.

Accelerator RAM

The accelerator RAM (XRAM), when present in the device, is located in the low-power domain (LPD) of the PS. The XRAM includes one port from the OCM switch in the LPD. The XRAM also includes three ports from the PL. Each port includes a Xilinx memory protection unit (XMPU).

- Versal ACAP: 4 MB XRAM

High-Bandwidth Memory Interface

The high-bandwidth memory (HBM) interfaces are a device option included in some of the Xilinx stacked silicon interconnect (SSI) technology devices. The HBM DRAM memory die are from third-party vendors and are integrated into the Xilinx device using a silicon interposer for connections to the HBM interfaces on the Xilinx die. The memory stacks can be one, two, four, or eight dies high plus a base DRAM controller die.

Integrated Peripheral Options

The Versal® ACAP includes integrated peripheral options. These components are located in the PL power domain and attach to the system via PL fabric.

Note: The existence of a peripheral and the number of instances in a device are detailed in the *Versal Architecture and Product Data Sheet: Overview (DS950)*.

The integrated peripheral options are shown in the following table.

Table 3: Integrated Peripheral Options

Integrated Peripheral	Acronym	Power Domain	Device Series		
			AI Core	Prime	Premium
100G Multirate Ethernet MAC	MRMAC	PL	1 to 4	1 to 6	2 to 8
600G Channelized Multirate Ethernet	DCMAC	PL	~	~	1 to 8
600G Interlaken with FEC	ILKN	PL	~	~	0 to 3
400G High-Speed Crypto Engine	HSC	PL	~	~	1 to 5
Video Decoder Unit	VDU	PL	~	0 to 40	10 to 70

100G Multirate Ethernet MAC

The multirate Ethernet MAC (MRMAC) provides high-performance, low latency Ethernet ports supporting a wide range of customization and statistics gathering. Supported configurations are 1 x 100GE, 2 x 50GE, 1 x 40GE, 4 x 25GE, and 4 x 10GE.

The MRMAC supports the following FECs defined and required by IEEE standards:

- Clause 91 RS(528, 514) KR4 FEC, for 25/50/100GE NRZ support
- Clause 91 RS(544, 514) KP4 FEC for 50/100GE PAM4 support
- Clause 74 FEC, for 10/25/40/50GE low-latency support

The MRMAC has a rich set of bypass modes to enable access to FEC-only mode (for custom protocols) and FEC+PCS (for protocol testers).

The MRMAC also supports a new high-precision timestamping feature to enable sub-nanosecond accuracy on IEEE Std 1588 timestamps. This provides hardware support for new IEEE Std 1588-based time-sensitive networks (TSN), as well as the next generation Ethernet-based wireless fronthaul protocol (eCPRI).

The MRMAC controller is described in the *Versal Devices Integrated 100G Multirate Ethernet MAC (MRMAC) LogiCORE IP Product Guide* ([PG314](#)).

600G Channelized Multirate Ethernet

The 600G channelized multirate Ethernet subsystem (DCMAC) provides up to 600G of Ethernet bandwidth that can be configured for various rates including 1x400GE, 3x200GE, and 6x100GE. The DCMAC handles all protocol-related functions of an Ethernet MAC, PCS, and FEC, including handshaking, synchronizing, and error checking. It also provides a segmented AXI4-Stream interface for packet data and an AXI4-Lite interface for statistics and management.

The DCMAC can be configured to include forward error correction (FEC) capability, supporting Clause 91 RS(528, 514) KR4 FEC, Clause 91 RS(544, 514) KP4 FEC, Clause 119 RS(544, 514) KP4 FEC, and Clause 134 RS(544, 514) FEC.

The DCMAC flexible interface (FLEXIF) supports several operating modes including OTN, FlexE, and PCS modes.

600G Interlaken with FEC

The integrated 600G Interlaken (ILKN) core with FEC supports channelized interfaces operating up to 600 Gb/s with built-in flow control. Each 600G Interlaken core can be configured as follows:

- 24 lanes (maximum) with 12.5G and 28.21G transceivers
- 12 lanes (maximum) with 56.42G transceivers

The flexible AXI4-Stream user interface is configurable in width from 2048b to 512b. Pairs of lanes share 100G RS(544, 514) FEC and can support FEC-only mode.

400G High-Speed Crypto Engine

The 400G high-speed cryptography (HSC) engine implements an AES-GCM-256/128 engine that provides up to 400 Gb/s of bulk encryption capability on up to 40 channels that can be connected to the DCMAC. Each HSC engine supports both MACSec and IPSec at up to 400 Gb/s configurable as 1x400G, 2x200G, or 4x100G channels with up to 128 source addresses (SA) per 100G.

Multistream Video Decoder Unit

The video decoder unit (VDU) decompresses h.264 and h.265 video streams. The VDU is a device option where a device can include zero, two, or four units. Each VDU can be used by itself or combined with one or more other decoder units to achieve higher decoding throughput. The maximum number of video streams that can be decoded based on resolution and a single VDU is shown in the following table.

Table 4: VDU Decoding Multi-stream Performance

Resolution and Refresh Rate	Number of Video Streams
4K 60p	1
4K 30p	2
1080 30p	8
720 30p	16
720 15p	32

The VDU interfaces to the PL via two 128-bit AXI ports for the decoder to access memory. The VDU also includes a 32-bit AXI port for its control unit to access memory. The VDU also has a 32-bit APB (or AXI4-Lite) port for register programming.

PL Fabric Overview

The programmable logic (PL) is a scalable structure that provides the ability to create many possible functions. The PL logic regions include DSP engines, configurable logic blocks, and two types of RAM arrays. These are configured together to create almost any type of hardware functionality including accelerators, processors, functional pipeline units, and peripherals. The PL includes connections for the integrated hardware and peripherals, ports to the NoC interconnect, access to CMOS and gigabit high-speed I/O, and interface channels to the PS.

The PL complements the functionality of the PS, AI Engine, and other integrated hardware to improve application performance. The PL instantiates system functionality and provides connectivity between the system and integrated hardware and peripherals.

The PL includes several [Integrated Peripheral Options](#) for many different high-performance I/Os.

PL Configuration

The connections and configuration of the PL elements are captured in the Vivado® design suite and the Vitis™ unified software platform tool chain using a programmable device image (PDI). The PDI contains PL configuration frames (CFRAME), which are sent by the PLM to the configuration frame unit (CFU) for processing. The CFU interfaces to the PL via the configuration frame interface (CFI). The PL can be configured during the boot process and can be re-configured during normal system operation. The PL configuration can be read-back for debug and functional safety applications. The CFU is described in [Configuration Frame Unit](#) and the CFI is described in [Configuration Frame Interface](#).

Building Blocks

The PL includes building blocks and provides several types of connections to many parts of the device including several subsystems and I/O. The PL has AXI interfaces to the PS, CPM, AI Engine, and the integrated controllers. The PL also has port interface signals and parameter configuration inputs to the PS, PMC, and other parts of the system.

The PL building blocks include the DSP Engine, configurable logic block (CLB), block RAM, and UltraRAM integrated components. These components are surrounded by clocking structures and wiring pathways. The PL makes connection between PS, CPM, PMC, NoC, AI Engine, GTs, XPIO banks, high-density I/O (HDIO) buffers, and components instantiated within the PL.

The PL building blocks include:

- DSP Engine (intelligent)
- CLB (adaptable)
- Block RAM and UltraRAM (adaptable)

Additional Features

The PL also contains clocking structures and PLL-enabled clocks for the PL fabric and I/O. The PL also includes connections to the Arm CoreSight™ debug hardware for data monitoring and collection.

Tool Support

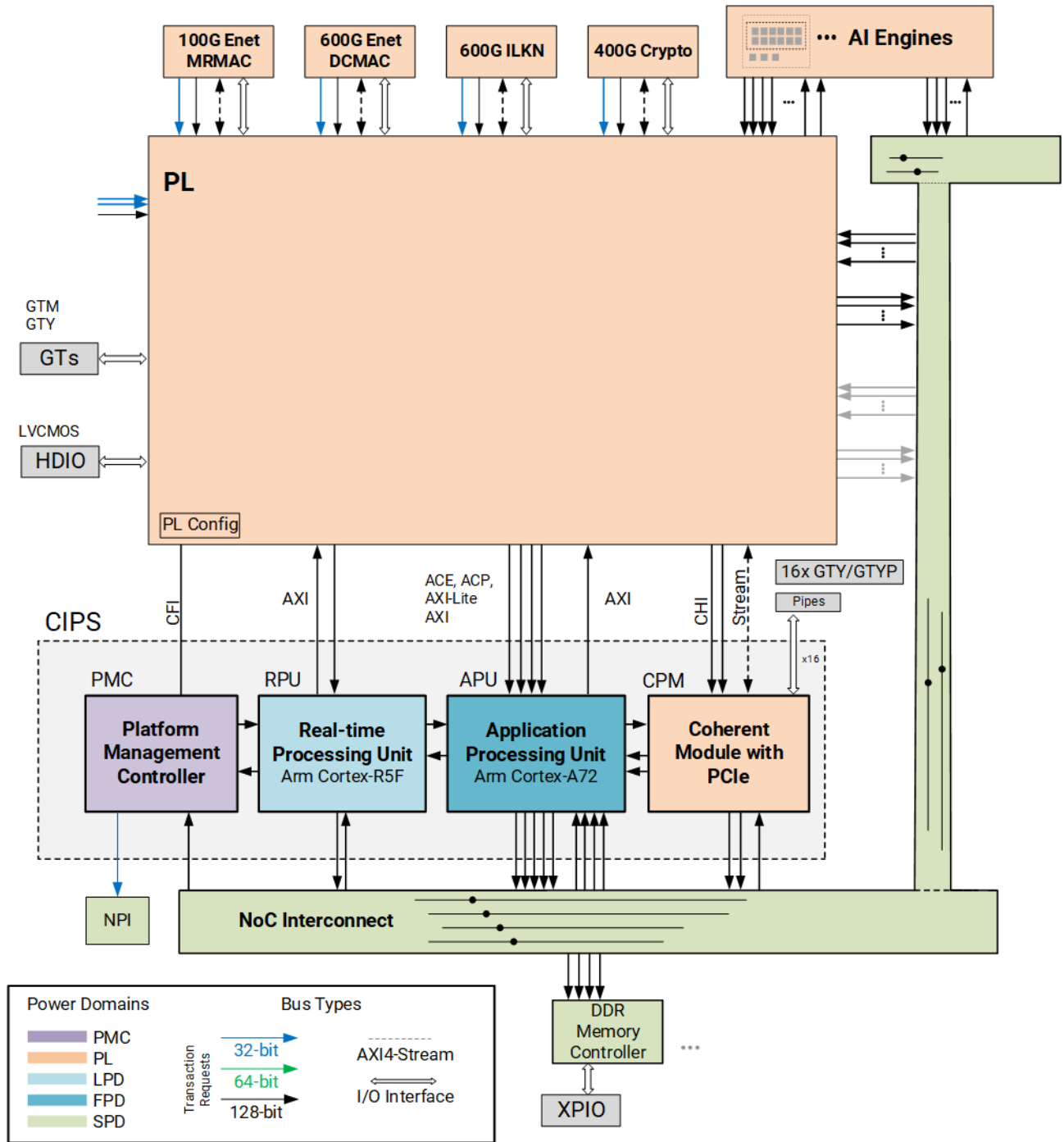
The Vivado®/Vitis™ development system provides a large library of complex functional components (microprocessors, peripherals, filters, etc.) that can be instantiated and connected to create a design. Additionally, a hardware description language can be used to describe specific functions in the design. The design tools then translate the design into the building blocks of the PL. The PL can be partially or fully programmed during the boot start-up and as a service operation when the system is operating.

PL Block Diagram

The PL building blocks and clock structures provide the foundation for instantiating functionality. The PL is provided with port interface signals attached to nearly every part of the device.

The high-level PL perspective of the system is shown in the following figure.

Figure 9: PL System Perspective



X26492-032522

In addition to the PL interconnect interfaces shown in the figure, the PL port interface signals include the system interrupts, errors, events, and other signals from all parts of the device.

Adaptable Engines in PL

The PL Adaptable Engines are building blocks to instantiate functional units in the PL and they include:

- Digital signal processing engine (DSP)
- Configurable logic blocks (CLB): logic and LUT
- Block RAM: 4 KB data with ECC (36 Kb)
- UltraRAM: 32 KB data with ECC (288 Kb)

Digital Signal Processing Engine

Versal devices have many dedicated low-power DSPs combining high speed with small size while retaining system design flexibility. The DSP resources enhance the speed and efficiency of many applications beyond digital signal processing such as wide dynamic bus shifters, memory address generators, wide bus multiplexers, and memory-mapped I/O registers. The DSP engine is defined using the Xilinx DSP58 primitive.

For more information, see *Versal ACAP DSP Engine Architecture Manual* ([AM004](#)).

Configurable Logic Block

The configurable logic block (CLB) includes logic and look-up tables (LUTs) that can be configured into many different combinations and connected to other components in the PL to create special purpose functions, processing units, and other entities.

Every CLB contains 32 LUTs and 64 flip-flops. The LUTs can be configured as either one 6-input LUT with one output, or as two 5-input LUTs with separate outputs but common inputs. Each LUT output can optionally be registered in a flip-flop.

In addition to the LUTs and flip-flops, the CLB contains arithmetic carry logic and multiplexers to create wider logic functions. Within each CLB, 16 LUTs can be configured as 64-bit RAM, 32-bit shift registers (SRL32), or two SRL16s.

Within every CLB are dedicated interconnect paths for connecting LUTs without having to exit and re-enter a CLB, drastically reducing the use of global routing resources. In addition, new CLB features such as cascade multiplexers allow flexible carry logic structures to be created.

For more information, see the *Versal ACAP Configurable Logic Block Architecture Manual* ([AM005](#)).

Block RAM

The dual-port block RAMs have 4 KB of data storage capacity that is protected by error correction coding (ECC) for a total of 36 Kb per block RAM. The RAM can be configured as either one 36 Kb RAM, or two completely independent 18 Kb RAMs. The RAMs can be configured to operate in simple dual port mode (one read-only port and one write-only port) or true dual port mode (both ports have read and write interfaces). The block RAM can also be configured for single port mode. Each port has its own clock and address interface. The ports can be configured independently as 4K×9, 2K×18, 1K×36, or 512×72. The 512×72 mode requires simple dual port mode.

The block RAM is described in the *Versal ACAP Memory Resources Architecture Manual* ([AM007](#)).

UltraRAM

The dual-port block RAMs have 32 KB of data storage capacity that is protected by error correction coding (ECC) for a total of 288 Kb per block RAM. Each port can be configured independently as 32K×9, 16K×18, 8K×36, or 4K×72.

- Cascade-able for building larger memories: dedicated column routing wires to connect adjacent units
- ECC on both ports with single bit error detection and correction, and double bit error detection
- Sleep power saving features

The UltraRAM is described in the *Versal ACAP Memory Resources Architecture Manual* ([AM007](#)).

Device I/O Connectivity

The devices includes many different types of I/O pins. Each pin has a dedicated I/O buffer with characteristics that are often programmable. The functionality of a pin can be dedicated to a specific function or have a flexible assignment.

The voltage banks for the PMC/PMCX and PSXL banks are listed in the [Power Pins](#) table. The voltage banks for the PL are listed in the *Versal ACAP Packaging and Pinouts Architecture Manual (AM013)*.

The pins are summarized in a table in the [I/O Buffer Pin Banks](#) section.

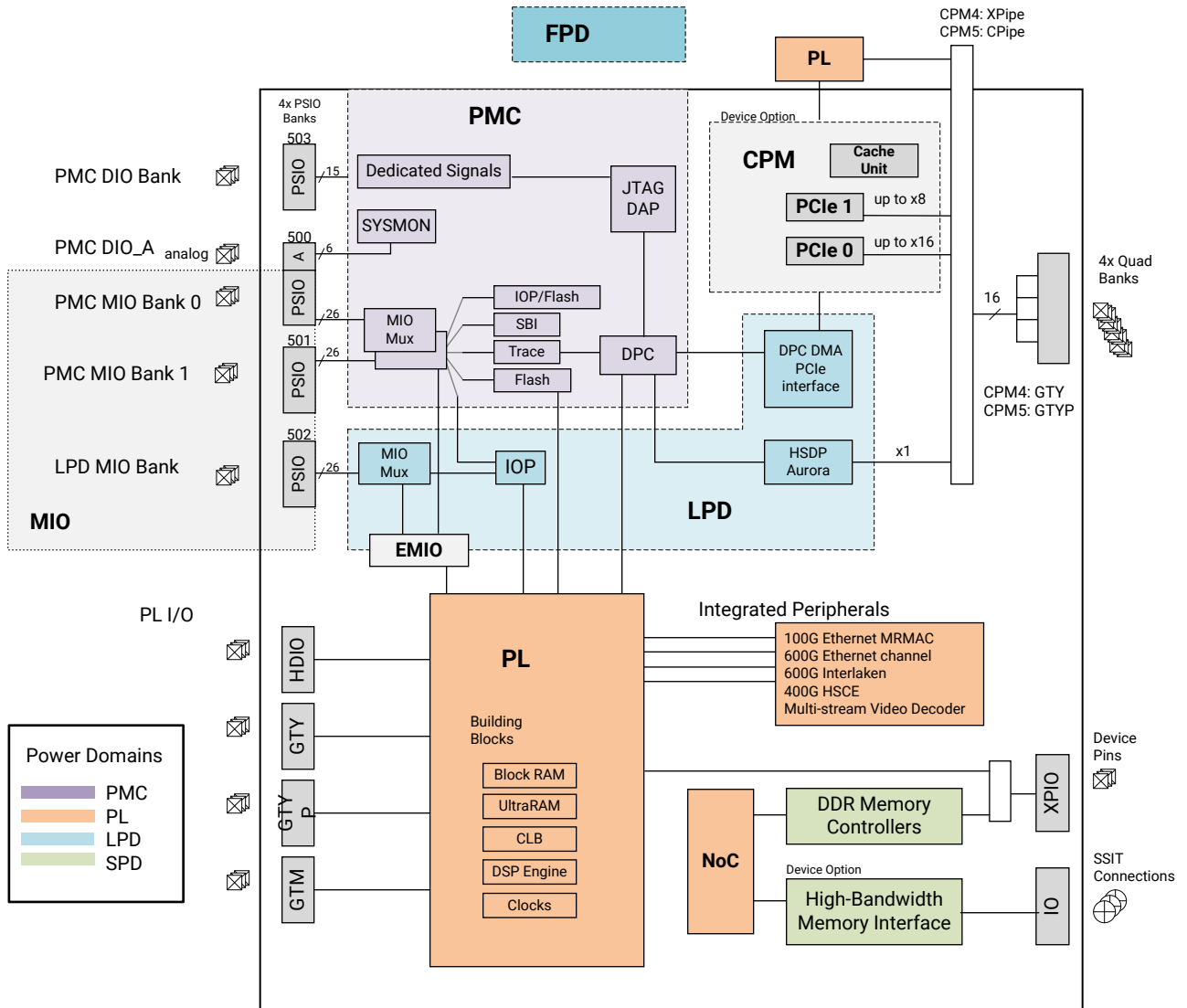
Related Information

[Signals, Interfaces, Pins, and Controls](#)

Device-Level Diagram

The device-level I/O connectivity is shown in the following figure.

Figure 10: I/O Connectivity Diagram



X22413-092121

MIO and Dedicated I/O Banks

The MIO banks provide I/O connectivity for the PMC and LPD. Each bank includes LVCMOS buffers with several programmable features. Three banks are for the multiplexed I/O (MIO) and one bank is for the PMC dedicated pins.

There are also four dedicated analog signals (DIO_A) associated with the system monitor (SYSMON).

- Bank 500:
 - PMC MIO bank 0 with 26 pins
 - PMC dedicated analog pins *Versal ACAP System Monitor Architecture Manual* ([AM006](#))
- Bank 501: PMC MIO bank 1 with 26 pins
- Bank 502: LPD MIO bank with 26 pins
- Bank 503: PMC dedicated digital with 15 pins

The PMC and LPD MIO pins are described in the [Multiplexed I/O Signals and Pins](#) chapter. The dedicated pins are described in the [PMC Dedicated Pins](#) chapter.

I/O Buffer Pin Banks

The I/O buffer pin banks are listed in the following table.

Table 5: PMC, PS, and Other I/O Buffer Pin Banks

Bank Name	Pin Count	Buffer Type	Description
PMC DIO Bank	15	Digital	Dedicated I/O with POR_B, REF_CLK, JTAG, and boot mode.
PMC DIO_A Bank	4	Analog	Dedicated analog I/O pins: VREF, Analog-In. See PMC Dedicated Pins .
PMC MIO Bank 0 PMC MIO Bank 1	52	Digital	Multiplexed I/O for boot devices and peripherals in the PMC and LPD IOPs. See Multiplexed I/O Signals and Pins and Output Buffer Control Registers .
LPD MIO Bank	26	Digital	
PL XPIO	54 per bank	XP IOB	The XPIO banks are normally used by the DDRMC, but are available for use by the PL fabric except for the XPIO banks located in the corners of the die. The XP I/O interconnect logic (IOL) and I/O block (IOB) resources are described in the <i>Versal ACAP SelectIO Resources Architecture Manual (AM010)</i> with the layout described in <i>Versal ACAP Packaging and Pinouts Architecture Manual (AM013)</i> .
PL HDIO	Varies	Digital	Multiple banks of HDIO buffers connect PL to device pins. The HDIO IOL and IOB resources are described in the <i>Versal ACAP SelectIO Resources Architecture Manual (AM010)</i> .
GTYP ¹	16	Transceiver	CPipe GTYP transceivers connect CPM5 PCIe lanes and Aurora debug to I/O pins. PL fabric GTYP transceivers connect the PL to I/O pins.
GTY ¹	Varies	Transceiver	XPipe GTY transceivers connect CPM4 PCIe lanes, Aurora debug, and PL fabric to I/O pins. PL fabric GTY transceivers connect the PL to I/O pins.
GTM	Varies	Transceiver	Listed in the <i>Versal AI Core Series Data Sheet: DC and AC Switching Characteristics (DS957)</i> .

Notes:

1. The GTY and GTYP transceivers functionality and specifications are defined in the *Versal ACAP GTY and GTYP Transceivers Architecture Manual (AM002)*.

GTY and GTYP Pipe Transceivers

Sixteen high-speed pipe transceivers are grouped into four quad banks. The transceiver pins can connect to several interfaces.

- PCIe® controller 0 in the CPM
- PCIe controller 1 in the CPM
- High-speed debug port (HSDP), single channel

- PL fabric interface (this path is available only for GTY XPipe transceivers used with CPM4)

Connections to the transceivers are illustrated in the [Debug Host Interfaces](#) section of the [Integrated Debug](#) chapter.

CPM Documentation

The details of the CPM implementation are available in these documents:

- *Versal ACAP CPM Mode for PCI Express Product Guide* ([PG346](#))
- *Versal ACAP CPM DMA and Bridge Mode for PCI Express Product Guide* ([PG347](#)) (includes pipe transceiver signal assignments)

PL HDIO Banks

The PL HDIO buffer has the following features:

- Output control: drive strength and slew rate
- Settings on a per-bank basis
 - I/O voltage swing:
 - LVCMOS: 3.3V, 2.5V, and 1.8V
 - HSTL: 1.8V
 - SSTL: 1.8V
- Inputs independently programmed
 - Weak pull-up, weak pull-down, or weak keeper
 - Hysteresis
- HD IOL logic resources support low-speed interfaces with SDR and DDR logic
- IODELAY feature with cascadable output delay
- Coarse data alignment
- On-die termination
- Common internal VREF on per bank
- Receive a differential signal at low-speed
- Transmit a pseudo differential signal
- External termination for LVDS and LVPECL inputs

The HD IOL and HD IOB resources in the HDIO banks are described in the *Versal ACAP SelectIO Resources Architecture Manual* ([AM010](#)).

Operating Modes

- LVCMOS, HSTL, SSTL single-ended signals
- Transmit single-ended signals with pseudo-differential mode
- Receive single-ended and differential signals; differential receiver for low-speed clock inputs

System View

The HDIO is arranged in banks of 22 buffers each to connect the PL to the device pins. The PL includes multiple banks of HDIO buffers. The number of HDIO banks varies depending on the device and package size. Examples include the following:

- Bank 306: PL with 22 pins
- Bank 406: PL with 22 pins

Programming Model

The I/O characteristics of the HDIO buffers are controlled by the parameters that are configured by the Vivado® design suite wizard.

DDR I/O Banks

The DDR I/O banks are specifically designed to support the signals to and from the external DDR memories. For some banks, they can be connected to the PL if not needed by the associated DDR memory controller.

The I/O banks can use the XPHY to align, serialize, and deserialize a data stream. Each I/O bank has nine nibbles of six cells each for a total of 54 pins.

The input and output buffers support a wide range of single-ended and differential I/O standards along with resources to support a high level of signal quality. Each buffer has IOL resources to support low-speed SDR and DDR memory interfaces and coarse data alignment resources.

The I/O banks provides:

- 1.0V, 1.2V, 1.35V, and 1.5V bank voltage standards
- XPHY logic resources to align and serialize/deserialize high-speed data streams
- IOL resources to provide simplified lower-speed SDR and DDR memory logic support
- Internally generated VREF support shared across nibble boundaries
- Calibrated output drive support
- Calibrated internal termination

- Internal differential termination and bias offset
- Transmitter pre-emphasis and receiver equalization
- Native MIPI D-PHY interfacing
- Serialization/deserialization ratios of 1:8, 1:4, and 1:2

The I/O banks located in the left and right southern corners of the die are not accessible to the PL. In very small devices, I/O banks are not accessible to the PL.

The XP IOL and XP IOB resources in the I/O banks are described in the *Versal ACAP SelectIO Resources Architecture Manual* ([AM010](#)) with layout information in the *Versal ACAP Packaging and Pinouts Architecture Manual* ([AM013](#)).


Silicon Integrated into Package

There are a large number of devices with many scalable PL layouts, integrated hardware, I/O structures, and multi-die options. There are many monolithic designs with several layouts and several SSI technology options. All devices are listed in the *Versal Architecture and Product Data Sheet: Overview* (DS950).

- [Monolithic Physical Layout Example](#)
- [Si Interposer Design for High-bandwidth Memory](#)

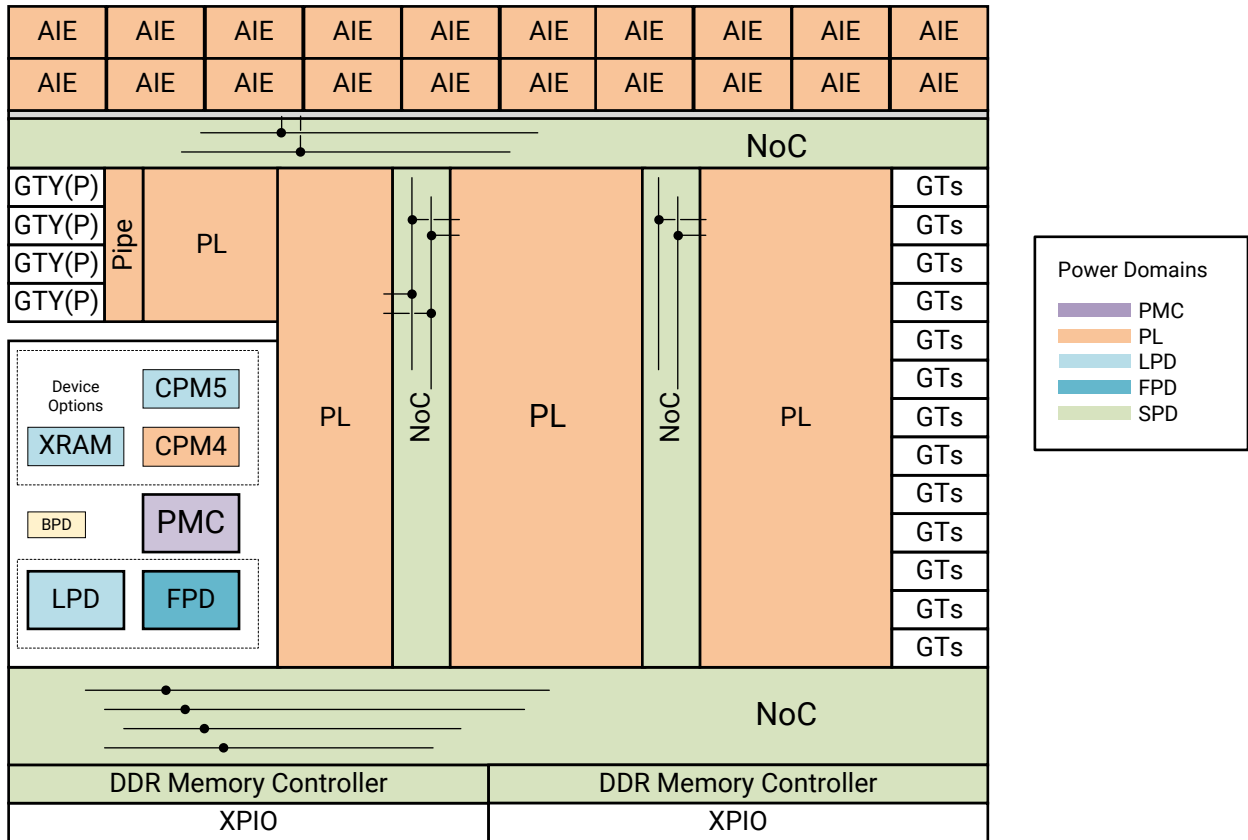
Monolithic Physical Layout Example

The physical layout of all designs is dominated by the NoC interconnect and the programmable logic (PL) with the PMC and PS located together in a corner of the device die. The NoC structure forms a grid in the PL with gigabit I/O transceivers placed along the edges of the perimeter. The entire PMC and PS subsystems are located together in a corner of the device. The DDR memory controllers are located along the bottom edge of the device with the XPIO banks. The AI Engine array, when present, is grouped together along an edge of the device with access to the NoC and the PL.

 **IMPORTANT!** *The following figure is an example representation. Some layouts are similar while others can be significantly different in size and features. The following figure does not reflect a specific device. The number of I/O cells and NoC structures varies by device, and sometimes the die is mirrored.*

Not all features are included on a given device. For a complete list of features on a per-device basis, see the *Versal Architecture and Product Data Sheet: Overview* (DS950).

Figure 11: Monolithic Device Physical Layout

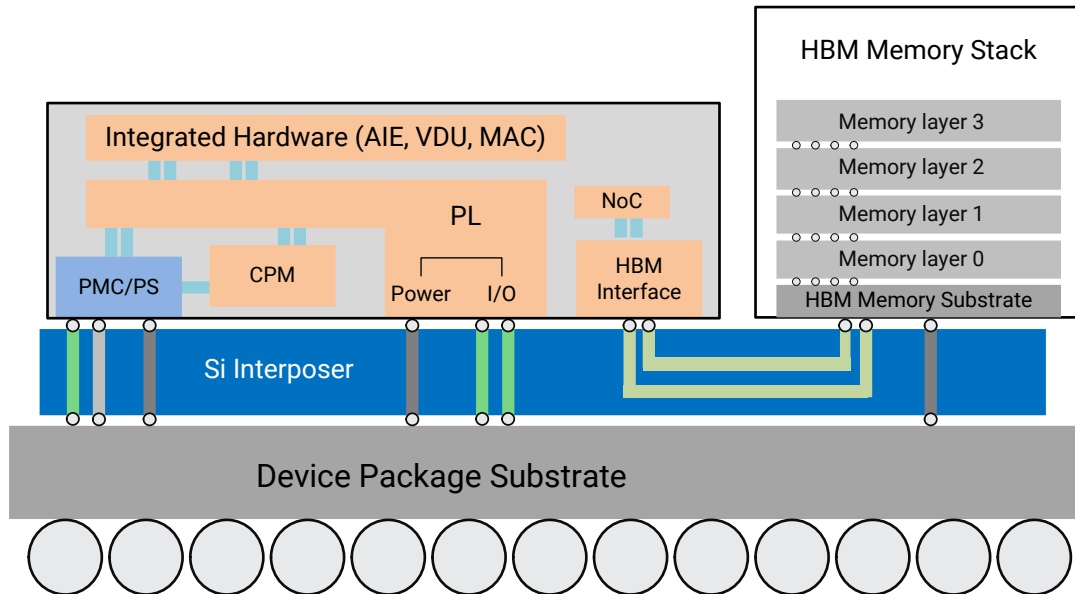


X21771-122121

Si Interposer Design for High-bandwidth Memory

The high-bandwidth memory (HBM) devices are constructed using a silicon interposer die that connects to the HBM controller to the stack of memory die.

Figure 12: High-bandwidth Memory Device Physical Representation



X25713-101121

Platform Boot, Control, and Status

This section includes these chapters:

- [Overview](#)
- [Non-Secure Boot Flow](#)
- [Secure Boot Flow](#)
- [Boot Image](#)
- [Boot Modes](#)
- [Platform Management](#)
- [Platform Hardware Reference](#)

Overview

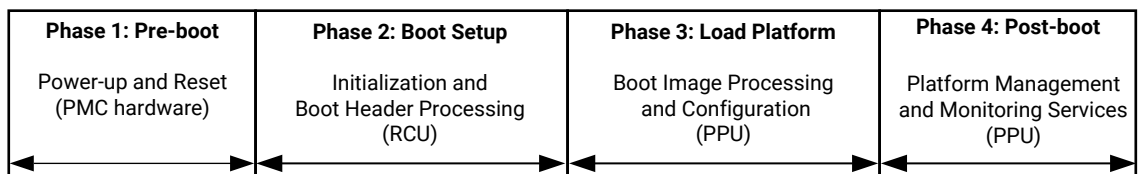
The platform management controller (PMC) supports platform management during boot, configuration, and runtime. The boot flows, boot modes, and example platform management services are described in this section.

For an introduction to the PMC architecture, see [PMC Architecture](#). For information on the PMC units, see [Section VII: Embedded Processor, Configuration, and Security Units](#).

System Start-up Phases

The Versal® ACAP has four key system start-up phases from boot through platform management and monitoring.

Figure 13: System Start-up Phases



X21570-051519

Non-Secure Boot Flow

In the non-secure boot flow chapter, the system start-up phases required to boot a programmable device image into the Versal ACAP are discussed. The PMC primary functional control units and their responsibilities are described.

Secure Boot Flow

The secure boot flow enables programmable device images to use decryption and authentication to protect and secure user designs and the IP stored in Versal ACAPs. The Asymmetric Hardware Root of Trust (A-HWRoT) and Symmetric Hardware Root of Trust (S-HWRoT) secure boot methods are described.

Boot Image - Programmable Device Image

The programmable device image (PDI) format for the Versal ACAP is highlighted in this chapter and the boot header read by the PMC RCU is provided. PDI size estimation guidance is also provided in this section to assist users with selecting the appropriate flash storage for boot.

Boot Modes

For design flexibility, the Versal ACAP supports multiple boot-mode options. This chapter discusses selection criteria trade-offs between the boot modes and provides details about each boot mode interface.

Platform Management

The Versal ACAP supports several run-time services including the following, which are introduced in this chapter.

- Functional safety management: assists with managing random faults. ECC protected RAMs, RCU and PPU controller triple modular redundancy, XPPU, and XMPU are a few of the features provided. See the [Functional Safety Management](#) section.
- Dynamic Function eXchange (DFX): enables a board host connection to be maintained while multiple application functions are loaded and reloaded into the device. The Versal architecture supports using a shell and workload setup for dynamic reconfiguration. The shell (hardened infrastructure with required PMC and interfaces to host) remains static, but different workloads (user designs) can be plugged into the shell to support multiple applications. For more information and a link to the user guide, see the [Dynamic Function eXchange](#) section.
- Power management: applications that must limit or optimize power consumption use power modes such as sleep to meet requirements. The power modes and some options are discussed in the [Power Management](#) section.
- Security management, see link to design security lounge for access to user guide in the [Security Management](#) section.
 - Secure key storage and management: options for key storage and key management.
 - Tamper monitoring and response: features that can be used in developing mitigation techniques to resist tamper attacks.
 - User access to Xilinx hardware cryptographic accelerators: Versal ACAP has multiple cryptographic functions that can be accessed post-boot.
- PL soft error mitigation techniques and features, see the [PL Soft Error Mitigation](#) section.

Platform Hardware Reference

The Versal ACAP has general purpose resources that are allocated to the boot process. These resources, high-level boot events, and device state for the PLM and PSM are discussed in this chapter.

Comparison to Previous Generation Devices

The Versal ACAP new PMC centralized integration provides support for basic boot and configuration, Dynamic Function eXchange (DFX), power management, and reliability and safety functions from a single controller. The PMC bus architecture enables significantly faster configuration and readback performance when compared with previous architectures. The following table summarizes the boot mode differences between architectures.

Table 6: Boot Mode Comparison

Mode	Virtex UltraScale+ or Kintex UltraScale+ FPGA	Zynq UltraScale+ MPSoC or Zynq UltraScale+ RFSoc	Versal ACAP
JTAG	Yes	Yes	Yes
OSPI	-	-	Yes
QSPI32	Yes	Yes	Yes
QSPI24	Yes	Yes	Yes
SelectMAP	Yes	-	Yes ¹
eMMC1 (4.51)	-	Yes	Yes
SD1 (3.0)	-	Yes	Yes
SD1 (2.0)	-	Yes	Yes
SD0 (3.0)	-	-	Yes
SD0 (2.0)	-	Yes	-
PJTAG_0	-	-	-
PJTAG_1	-	Yes	-
Serial	Yes	-	-
BPI	Yes	-	Note 2
NAND	-	Yes	Note 2
USB (2.0)	-	Yes	-

Notes:

1. SelectMAP mode provides hardware flow control using a BUSY signal.
2. Octal SPI and eMMC1 modes supersede the BPI and NAND modes used in previous architectures. Octal SPI and eMMC1 modes provide similar performance while reducing pin count.

Additional key differences from previous generations are:

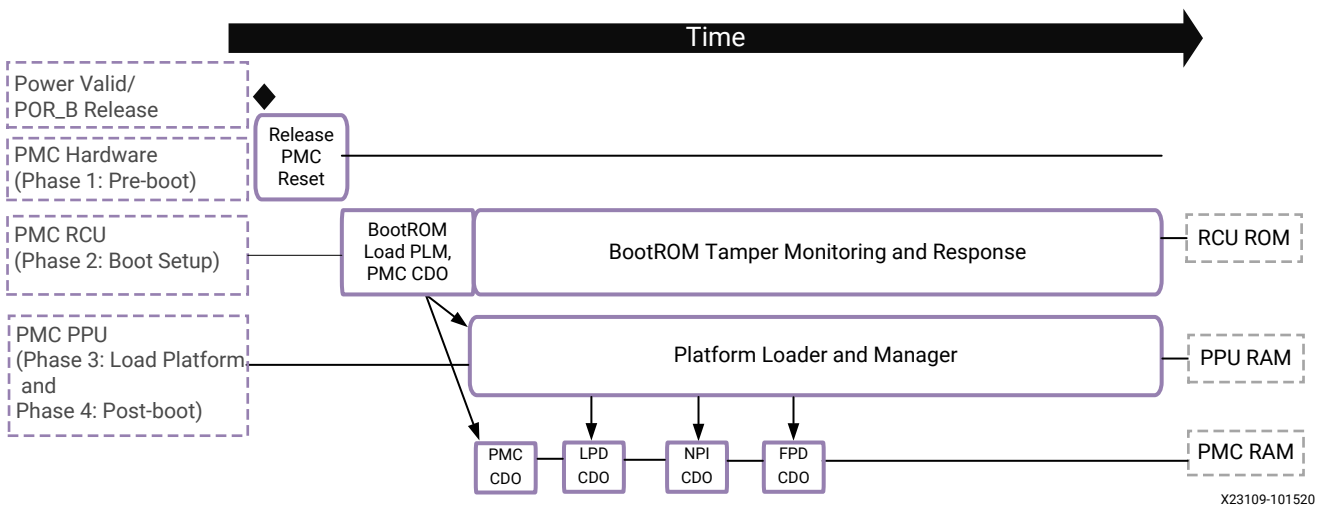
- PMC has its own dedicated power domain. Unlike the Zynq UltraScale+ MPSoC CSU and PMU, the Versal ACAP PMC, RCU, and PPU are decoupled from the PS or PL power domains.
- Configuration frame interface (CFI) bus is dedicated to accessing the configuration frames and provides configuration and readback performance improvements. In conjunction with the network on chip (NoC), it replaces the internal configuration access ports (ICAP, PCAP, and MCAP) used in previous generations.
- NoC programming interface (NPI) provides register access for remote peripherals such as gigabit transceivers and DDR memory.

- Octal SPI boot mode supports compatible octal SPI flash memory with DDR mode providing a high-speed and low pin-count solution.
- SelectMAP boot mode loads configuration data and requires hardware flow control using a BUSY signal.
- Single TAP located in the platform management controller.
- Single DNA identification accessible via JTAG or in the AXI register set. Versal ACAP does not have a PL DNA or a corresponding PL DNA_PORT primitive.
- Internal configuration clock provides higher performance than prior generation.
- Debug packet controller (DPC) supports the high-speed debug port (HSDP) for processing packets from interfaces including HSDP Aurora and PCIe controllers.
- Integrated system monitor in the platform management controller.
- Enhanced encryption and decryption for increased resistance to differential power attacks (DPA).
- Two PUF outputs that are exclusively managed by the RCU, a unique readable device ID, and a unique device key encryption key (KEK) for encrypt/decrypt.
- Enhanced authenticated JTAG (RSA/ECDSA) access via JTAG.
- True random number generator (TRNG), additional AES user keys, and ECDSA authentication added for security applications.
- Connections from the gigabit transceivers, through the CPM and through LPD into the PMC configuration.
- The legacy quad SPI (LQSPI) controller mode is not supported in the Versal ACAP.
- Execute-in-place (XIP) is not supported by Versal device boot modes.
- JTAG accessible internal private scan registers (with USER1-4 commands) are accessed with the PS9 primitive through the control, interface, and processing system (CIPS) IP. The Versal ACAP does not have a BSCANE2 primitive.
- The Xilinx soft error mitigation (XilSEM) library is a pre-configured and pre-verified solution to detect and optionally correct soft errors in the configuration memory of Versal ACAPs.

Non-Secure Boot Flow

For system start-up, a Versal® device must successfully initialize, boot, and configure from a supported boot source. Both non-secure and secure boot flows are supported. This chapter details the non-secure boot flow. For secure boot flow details, see the [Secure Boot Flow](#) chapter. The following figure illustrates the non-secure boot flow high-level phases.

Figure 14: High-Level Non-Secure Boot Flow

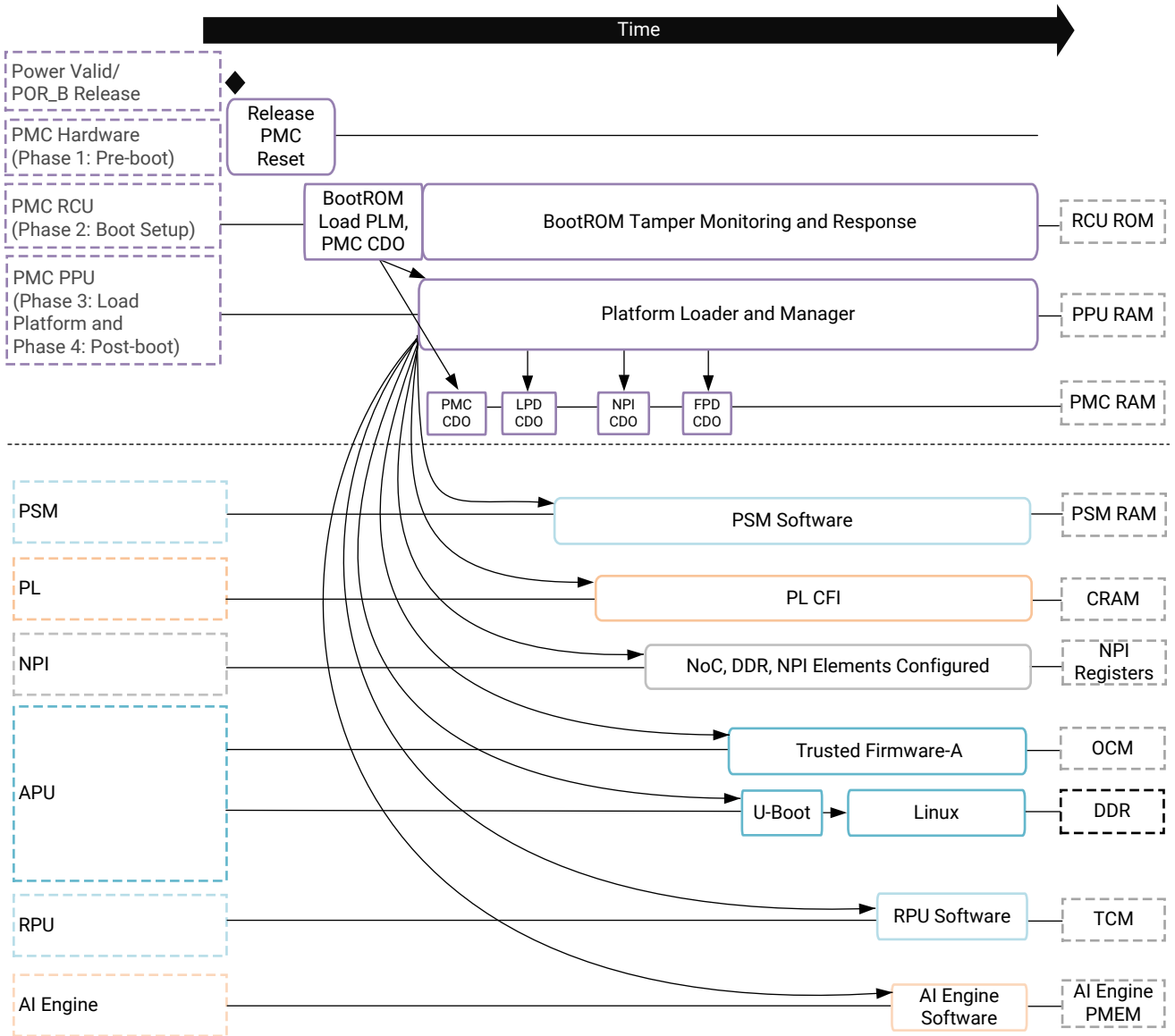


The three platform management controller (PMC) functional blocks that control the non-secure boot process are:

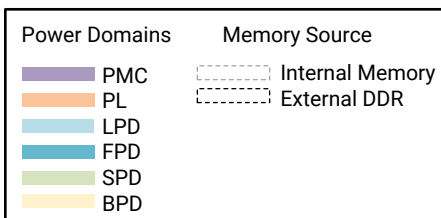
- PMC hardware dedicated state machines
- PMC ROM code unit (RCU)
- PMC platform processing unit (PPU)

The following figure shows the PMC functional blocks primary responsibilities and their memory source at each phase in the non-secure boot flow. The figure provides one example in which the major partition components (except for Linux) are loaded by the platform loader and manager. Linux is loaded by U-Boot.

Figure 15: Example Standard Boot Flow Processing Engines and Memory Sources



Note: All arrows indicate a loading and hand-off sequence except for U-Boot, which is handed off by the Trusted Firmware-A (TF-A).



X23595-101221

There are many different application partition requirements, and the Versal device provides the flexibility to address them. For example, some application protocols might require the RPU partition to be loaded first, or the software to be loaded from U-Boot, while other applications might not require the RPU or AI Engine partitions at all. Each phase in the example non-secure boot flow figure is described below.

Phase 1 (Pre-boot)

In phase 1, the non-secure and secure boot flows execute the same sequence of steps. The PMC hardware must detect that the power is valid (VCCAUX_PMC, VCC_PMC, and VCCO_503) and that the external POR_B pin is released to initiate a boot sequence. Dependent on the boot mode selected and application other power supplies will be required.

After power is applied to the device, the dedicated PMC hardware state machines perform a series of mandatory tasks to prepare the system for the PMC RCU release. The tasks include capturing the value of the boot mode pins into a PMC register for the RCU to read. The test interfaces (e.g., JTAG) initialize to a known secure state. This is followed by scan clear, where the registers in the PMC are zeroized and readback to confirm scan clear was successful. Next, the dedicated hardware hashes the PMC immutable BootROM using the SHA-3/384 engine and compares the calculated cryptographic hash against a golden copy stored in the device. If the hashes match, the integrity of the RCU ROM is validated and the PMC is released from reset. If the hash comparison fails an error is flagged. The default action is to log and continue until the PLM can determine what action to take.

Phase 2 (Boot Setup)

In phase 2, the PMC RCU non-secure and secure boot flow steps begin to diverge. See [Secure Boot Flow](#) for details on the additional security checks available. In the default non-secure boot flow, the PMC RCU performs basic integrity checks. The RCU initializes PMC blocks such as the System Monitor and the PMC PLLs. Checks for voltage and the PLL lock are performed.

After the initial security and integrity checks pass, the RCU reads the boot mode register value to determine the boot mode configuration required. If a JTAG or SBI boot mode is detected, the RCU enables the SelectMAP or JTAG interface path and then hands the control to the user to load the programmable device image.

When a master boot mode is detected, the RCU initializes the corresponding boot interface and searches for a valid boot header within a programmable device image (PDI). To validate a boot header, the RCU looks for the image identification string XLNX (0x584c4e58). When a valid image identification string is found in the boot header, the checksum for the boot header is checked. If the checksum is valid, the rest of the programmable device image boot header and platform loader and manager (PLM) are loaded into the PPU RAM.

If a valid boot header is not found, the image search is initiated for master boot modes. The search works differently depending on the type of master boot mode selected. For OSPI and QSPI boot modes, the programmable device images can be located every 32 KB in the boot memory device, which allows for more than one image to be stored in the flash memory device. If an image header is invalid, the BootROM increments the MultiBoot register ([PMC_MULTI_BOOT](#)) read address offset by 32 KB and tries again. For SD and eMMC boot modes, the 8191 FAT files can be searched for the identification string.

The RCU checks and validates the image signature, and then copies the platform loader and manager into the PPU RAM. The RCU releases the PPU from reset to begin phase 3 (load platform) and the RCU enters a sleep state, wake on interrupt for service routines throughout Phase 3 and Phase 4.

Phase 3 (Load Platform)

In phase 3, the PMC PPU executes the PLM from the PPU RAM. The PLM reads the programmable device image from the boot source and the PLM configures the components of the system including the NoC initialization, DDR memory initialization, programmable logic, and processing system, and then completes the device boot.

If a boot header is valid, but the PLM determines the programmable device image is corrupt, the PLM can recover by writing the location of another boot header into the MultiBoot register ([PMC_MULTI_BOOT](#)), and issuing an internal system reset (not an external POR_B reset). After the system reset, the boot header is fetched from the address location equal to the value of the MultiBoot register multiplied by 32 KB. When the fallback boot header is invalid, the RCU continues normally with its boot image search function if the boot device supports image search.

Phase 4 (Post-boot)

After the non-secure boot flow is complete, the PLM is active and numerous services can be run in this phase. Services include power management, partial reconfiguration, system error management, safety monitoring, security monitoring, and soft-error mitigation.

For more information on the Versal ACAP boot process see the *Versal ACAP System Software Developers Guide* ([UG1304](#)).

Secure Boot Flow

This chapter describes the Versal® ACAP secure boot features. The Versal device supports two secure boot modes: Asymmetric Hardware Root of Trust (A-HWRoT) and Symmetric Hardware Root of Trust (S-HWRoT). The A-HWRoT achieves authenticity of the boot image using asymmetric authentication algorithms (RSA or ECC). The S-HWRoT achieves authenticity of the boot image using symmetric means via the GCM mode of AES-256 by encrypting all portions of the boot and configuration files (excluding the boot header). In this mode, confidentiality, integrity, and authentication are provided simultaneously. For additional details, see the *Versal ACAP Security Manual* (UG1508). This manual requires an active NDA to download from the [Design Security Lounge](#).

Note: Because authentication in S-HWRoT mode is only provided by the encryption process, the boot header is not authenticated and cannot be relied upon for security critical information. As such, security critical information contained in the boot header is ignored in lieu of information stored in eFUSES. See [Symmetric Hardware Root of Trust Secure Boot](#) for more details.

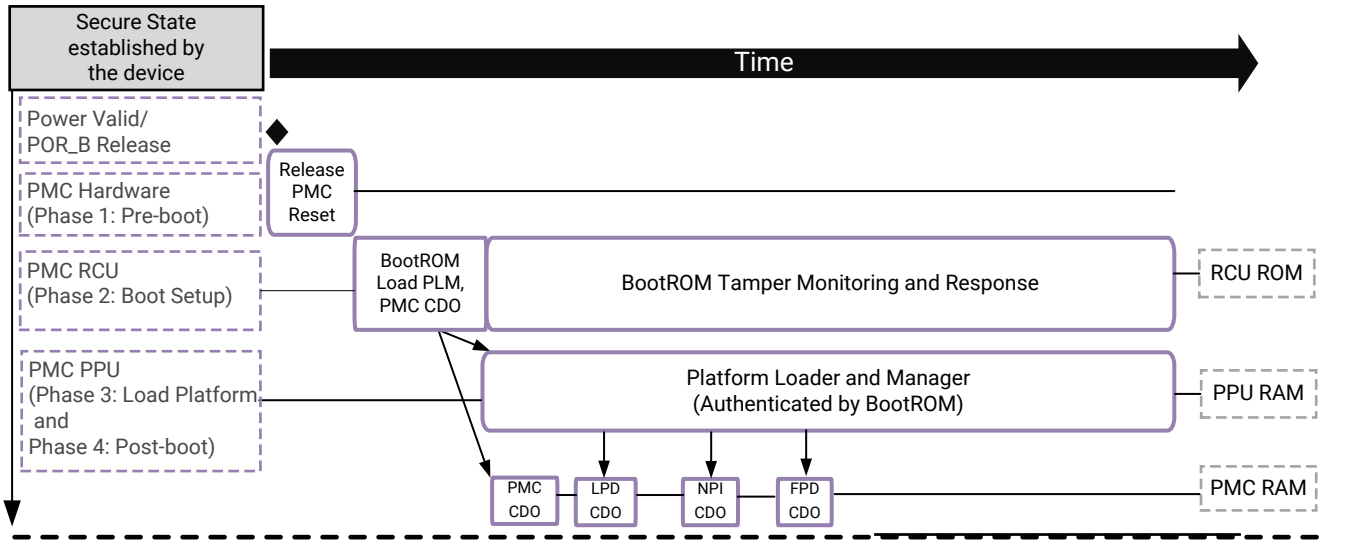
Note: The Versal device allows for two methods to protect its secret symmetric keys from differential power analysis (DPA): protocol and built-in leakage reduction. Each method can be used individually or together to create enhanced protection.

The functional blocks in a secure boot process are:

- Dedicated hardware state machines in the PMC
- PMC ROM code unit (RCU)
- PMC Platform processing unit (PPU)

The high-level boot flow summary is shown in the following figure.

Figure 16: High-Level Secure Boot Flow Summary



X23593-101520

After the power is applied to the device, the dedicated hardware state machines perform a series of mandatory tasks. First, all test interfaces (e.g., JTAG) initialize to a known secure state. Second, all registers in the PMC are zeroized (reset + verification of reset state). Before execution of the PMC BootROM, the dedicated hardware hashes the immutable BootROM code using the SHA-3/384 engine and compares the calculated cryptographic hash against a golden copy stored in the device. If the hashes match, the integrity of the BootROM is validated, and the PMC RCU is released from reset. If the hash comparison fails an error is flagged. The default action is to log and continue until the PLM can determine what action to take. However, eFUSEs can be programmed to halt the secure boot process immediately and go into a secure lockdown state when an error occurs.

Once released, the PMC RCU becomes the center of the secure boot process. It is responsible for all mandatory and optional security operations, as well as the secure loading of the PLM. A list of all security checks at this stage are listed in the following table. Optional checks are enabled by programming eFUSEs.

Table 7: Security Checks

Security Operation	Description	Optional?
Zeroize PMC RAM	The PMC RAM has zeros written to it and read back to confirm the write was successful	No
User-defined environmental monitoring	Temperature and voltage are monitored to ensure operation within user-defined limits	Yes
Known answer tests	Known answer tests are performed on the cryptographic engines used for loading the PLM prior to them being used	Yes
NoC configuration (SSI technology devices only)	Configuration of the NoC on SSI technology devices	No

The RCU also enforces the secure boot modes (A-HWRoT or S-HWRoT), if enabled, and is responsible for governing that transition of security state by prohibiting the transition from secure to non-secure or non-secure to secure without a full power-on reset (POR).

After all checks pass, the RCU securely loads the PLM (authenticated and, if desired, encrypted). Once loaded, the PLM can check the error messages from inside the device to determine what security actions, if any, are necessary.

The PLM runtime configuration registers area (RTCA) is a reserved space in the PMC RAM that stores status information about the Versal ACAP including the secure boot state. The [SECURE_BOOT_STATE](#) register shows if the device was booted with encryption or authentication and what secure countermeasures were enabled.

Asymmetric Hardware Root of Trust Secure Boot

The Versal device A-HWRoT boot mode is built upon the use of RSA-4096 or ECDSA P-384 asymmetric authentication algorithms using SHA-3/384, and allows the use of both primary and secondary public keys for signature verification (PPK and SPK, respectively). The following table lists the characteristics of each public key type.

Table 8: Public Key Types

Public Key	Number	Location	Revocable
Primary (PPK)	3	External memory with hash in eFUSES	Yes
Secondary (SPK)	256	Boot image	Yes

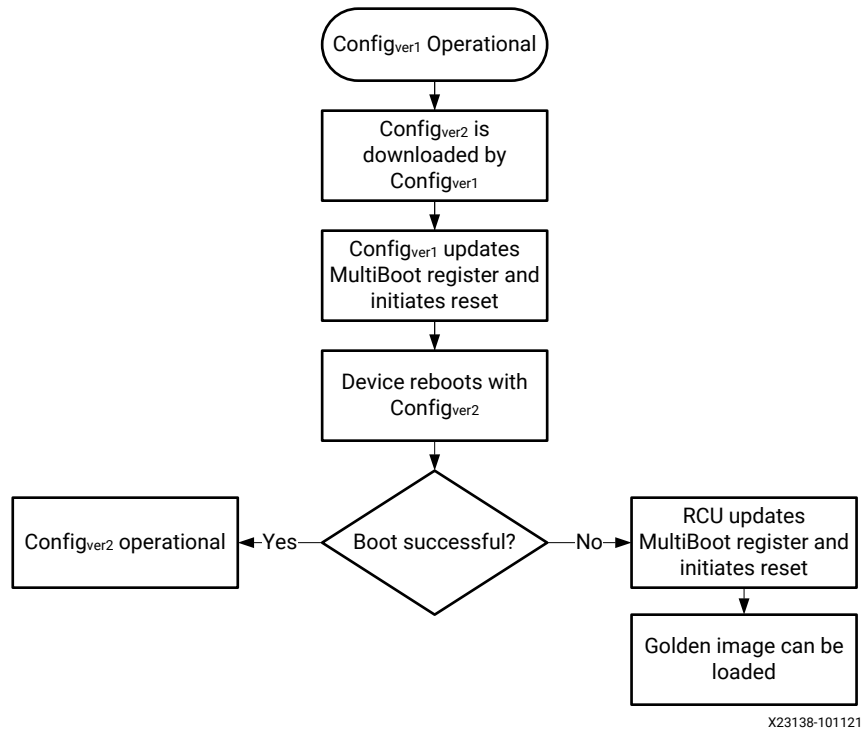
The Versal device allows for the use of three PPKs, each of which is revocable. To reduce the number of fuses required, the full public key is stored in external memory (e.g., flash) while 256 bits of a SHA-3/384 hash of each key is securely stored inside the device using eFUSES. During the secure boot process, the RCU first validates the integrity of the full public key stored externally by hashing it (SHA-3/384) and taking 256 bits of that hash and comparing against the value stored in eFUSES.

There are also 256 SPKs available, each of which are also revocable. The SPK is delivered inside the authenticated boot image, and is consequently protected by the PPK, which is the primary purpose of the PPK. The SPK is intended to authenticate everything else.

Configuration Update

Configuration update is a critical capability to enable such features such as an over-the-air (OTA) update. The Versal device supports the ability to update the configuration in-system. The following figure shows a high-level flow diagram of a configuration update performed by the RCU.

Figure 17: Configuration Update



In this notional system, it is assumed that revision of the design (Config_{rev1}) and a golden image are both stored in external memory. Some applications choose to use a golden image as a backup (or fallback). It is typically not full-featured but provides basic diagnostic and communication capabilities in the event of a failed boot of the primary image. This notional system is built upon to demonstrate key revocation.

The initial design, Config_{rev1}, is notified when an update is desired. Config_{rev1} then downloads Config_{rev2}, writes to the MultiBoot register (`PMC_MULTI_BOOT`), and initiates a reset. Upon successful completion, Config_{rev2} is booted and becomes operational. In the event of a failed boot, the RCU automatically increments the MultiBoot register and initiates a reset. As the golden image is stored at a higher address in external memory, it is ultimately loaded and communication can be re-established (assuming this in an OTA case).

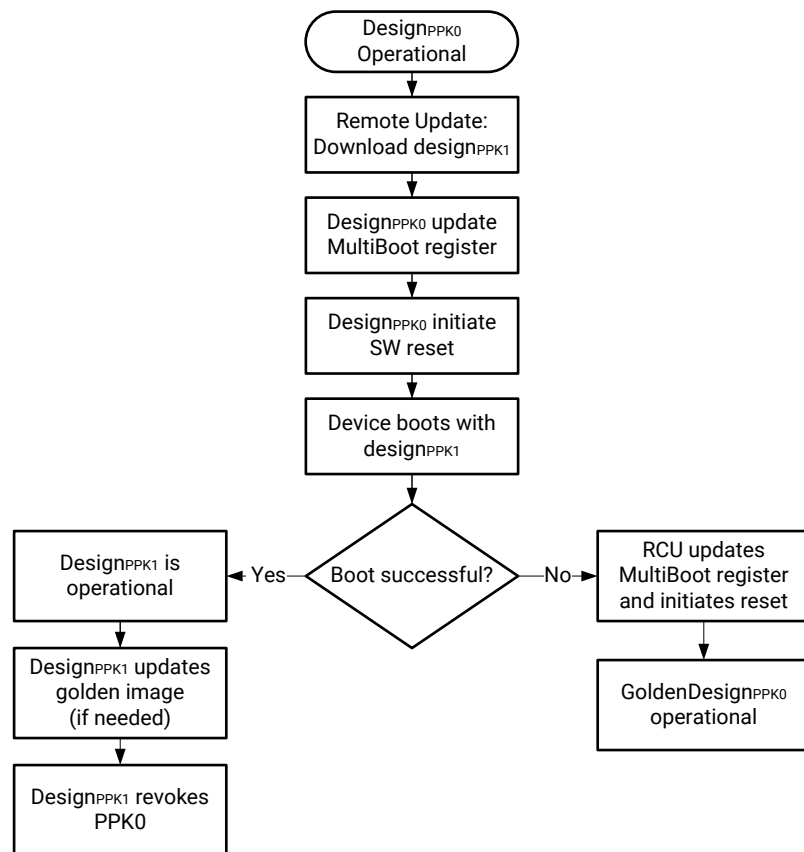
Configuration Update with Key Revocation

Now that a baseline configuration update use case has been described, it is necessary to look at that use case when booting using the A-HWRoT mode. Key revocation is an integral part of any public key system. When keys are changed (as is a good key management practice), or if a private key has been compromised, the ability to revoke keys is needed to provide rollback protections. This section describes the process of revoking both PPKs and SPKs, as well as the use of revocation as a tamper penalty.

PPK Revocation

There are three PPKs in the Versal device. Each PPK has a set of revocation bits implemented with eFUSEs. Programming these fuses invalidates (revokes) that PPK permanently preventing its use. The following figure demonstrates the OTA use case with the revocation of a PPK (PPK0 in this instance).

Figure 18: Configuration Update with PPK Revocation



X23137-101121

In the notional system, it is assumed that a revision of the design (Design_{PPK0}) and a golden image (GoldenDesign_{PPK0}) are both stored in external memory and both are signed by PSK0 (authenticated by PPK0).

Note: The subtext of the design/image name represents the public version of the key used to sign the image.

Again, this is a representative system used to describe the process of updating a system when it is necessary to revoke a PPK. It is not a requirement.

The initial design, Design_{PPK0}, is notified when an update is desired. In many cases, the design itself is responsible for supporting the remote update. Design_{PPK0} increments the MultiBoot register ([PMC_MULTI_BOOT](#)) and then initiates a reset. Design_{PPK1} is then booted, and if successful, begins operation. Design_{PPK1} should then update, if necessary, the golden image and then program the eFUSES to revoke PPK0. In the event of a failed boot, the RCU increments the MultiBoot register and initiates a reset. As the golden image is stored at a higher address in external memory, it is ultimately loaded, and communication can be re-established (again, assuming this is an OTA case).

SPK Revocation

The revocation of an SPK follows a very similar process as described in [PPK Revocation](#). However, the difference is that the SPK and its corresponding revocation ID are part of the boot image (authenticated using the PPK). The revocation of an SPK is done by modifying the 256-bit SPK revocation ID field in the eFUSES (representing 256 possible revocations). This revocation ID acts as a pointer to a revocation list. If the device boots with an old SPK and ID, the RCU or PLM flags this as invalid and prevents the device from booting with that image/partition.

Revocation as a Tamper Penalty

Key revocation not only allows for good key management practices (periodic key changes) but also can serve as a tamper penalty. This dual role can be a very valuable addition to a secure system. In the event of a tamper event, the system can revoke the PPK or SPK currently being used and initiate a reset. This revocation invalidates the current boot image and prevents the system from booting, which halts operation and protects the system from additional threats. The system would then have to be taken back to the depot and flashed with an image signed by a different (valid) key. This method represents a temporary penalty. However, some systems might desire a more drastic response. In this case, the system that detects the tamper event can revoke all PPKs. This revocation essentially “bricks” the part as there is no longer a valid key with which to boot (all have been revoked). This is a permanent penalty and is typically used only in the most secure systems as there is no method to recover the use of the device.

Symmetric Hardware Root of Trust Secure Boot

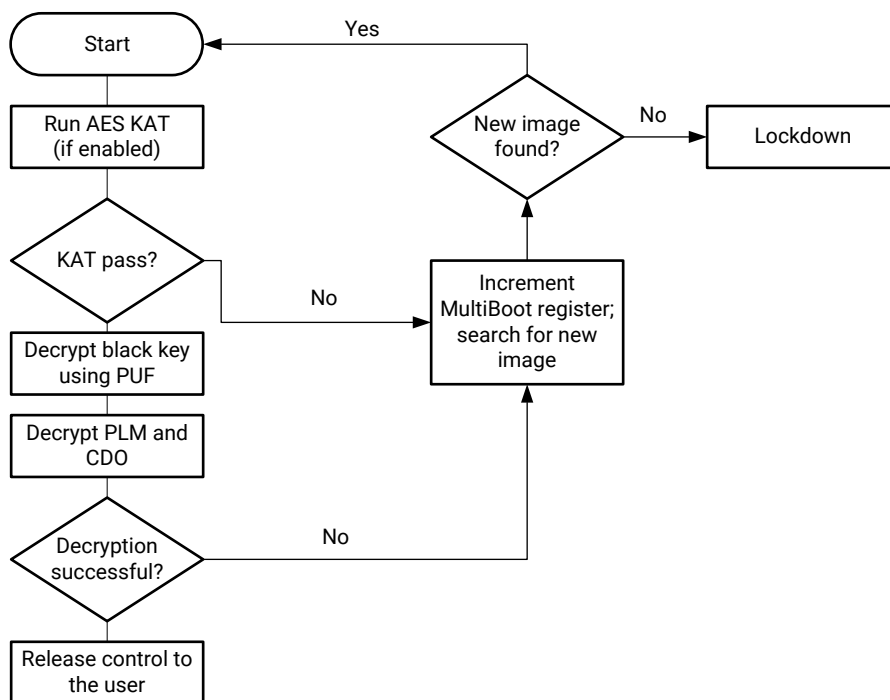
The Versal device S-HWRoT secure boot mode is enabled through the programming of eFUSEs. Similar to the A-HWRoT mode, this mode provides confidentiality, integrity, and authentication of the device configuration files. However, unlike the A-HWRoT mode, the S-HWRoT mode provides integrity and authentication using the counter mode of symmetric AES (AES-GCM).

In this boot mode, all configuration images are encrypted (excluding the boot header). Given this exclusion, the boot header is subject to modification. Consequently, all security critical information contained in the boot header is ignored but replicated in eFUSEs. Modification of the boot header itself, while possible, achieves nothing as the eFUSEs are used for security critical decisions, not the boot header itself.

RECOMMENDED: Xilinx strongly recommends the purchase of devices with built-in side channel leakage reduction functionality enabled. Protocol DPA countermeasures (authentication prior to decryption) cannot be used in the S-HWRoT boot mode due to the lack of asymmetric authentication. However, the built-in side channel leakage reduction capabilities can provide DPA resistance.

The following figure shows a high-level view of the S-HWRoT boot flow.

Figure 19: Symmetric Hardware Root of Trust Boot Flow



X23139-101121

The RCU detects that the S-HWRoT secure boot mode is enabled and then automatically decrypts the PLM and CDO. To maximize security, the key used by the RCU at this point is limited to the black key. This key is stored encrypted by the PUF key encryption key (KEK). No other key source is allowed for the PLM and CDO. The IVs used at this point are programmed by the user into internal eFUSES. As this is located inside the device, they are protected from modification.

Once the PLM and CDO have been decrypted and authenticated (via the AES GCM tag) and stored in internal memory, the RCU releases the reset to the specified processing unit. At this stage, control is handed over to the user application and it is responsible for maintaining the established security. All remaining partitions can use the following key sources on a partition-by-partition basis:

- Black eFUSE key
- User AES keys (volatile or non-volatile)

The IVs used for the remaining partitions are securely delivered within the configuration image. The process to load these partitions is user-configurable.

Configuration Update

As it is with the A-HWRoT mode, configuration update is critical for enabling features such as over-the-air (OTA) update. The configuration update flow for S-HWRoT boot mode is no different than that of the A-HWRoT mode described in [Figure 17: Configuration Update](#). However, this flow does have an additional setup step if it is necessary to update the PLM or CDO. This step involves programming additional eFUSES in the IV space. This step prevents a system from reusing the same AES key/IV pair for different data. Such reuse is a violation of the AES standard. All remaining partitions requiring an update are done so by creating new configuration images encrypted using a different key/IV pair and loaded via the PLM no differently than was previously done.

Configuration Update with Partition Revocation

Key revocation, as described in the A-HWRoT secure boot mode, is not available in the S-HWRoT secure boot mode. However, it is still important to support the revocation of individual partitions if an update is required and for protection against a rollback attack. In S-HWRoT secure boot mode, rollback protection is achieved via the use of the revocation ID (stored in eFUSES) associated with each partition. While key revocation itself is not supported, it is possible to render that key inoperable by revoking the ID of the partition encrypted with that key and replacing it with a partition encrypted with a new key/IV pair and a new (valid) revocation ID.

Boot Image

The platform management controller (PMC) uses a proprietary programmable device image (PDI) file format to boot and configure the Versal® ACAP. The Vivado®/Vitis™ development system generates the PDI. For more information on creating the PDI and composition, see the *Bootgen User Guide* ([UG1283](#)). For information on using PDI in a boot flow, see the *Versal ACAP System Software Developers Guide* ([UG1304](#)).

This chapter provides an overview of the PDI file format, including understanding how the range of possible PDI sizes for the Versal ACAP is essential for system architecture planning to ensure there is enough storage capacity for a user's PDI. The desired storage capacity guides the selection of the most appropriate Versal ACAP boot modes. For boot modes used with a non-volatile memory device, the desired storage capacity also guides the selection process of this additional component. The Vivado/Vitis development system is capable of programming a PDI into the Versal ACAP via JTAG and is capable of erasing, programming, and verifying the PDI image stored in supported Quad SPI, Octal SPI, and eMMC non-volatile memory devices. See the *Vivado Design Suite User Guide: Programming and Debugging* ([UG908](#)) for details.

Programmable Device Image

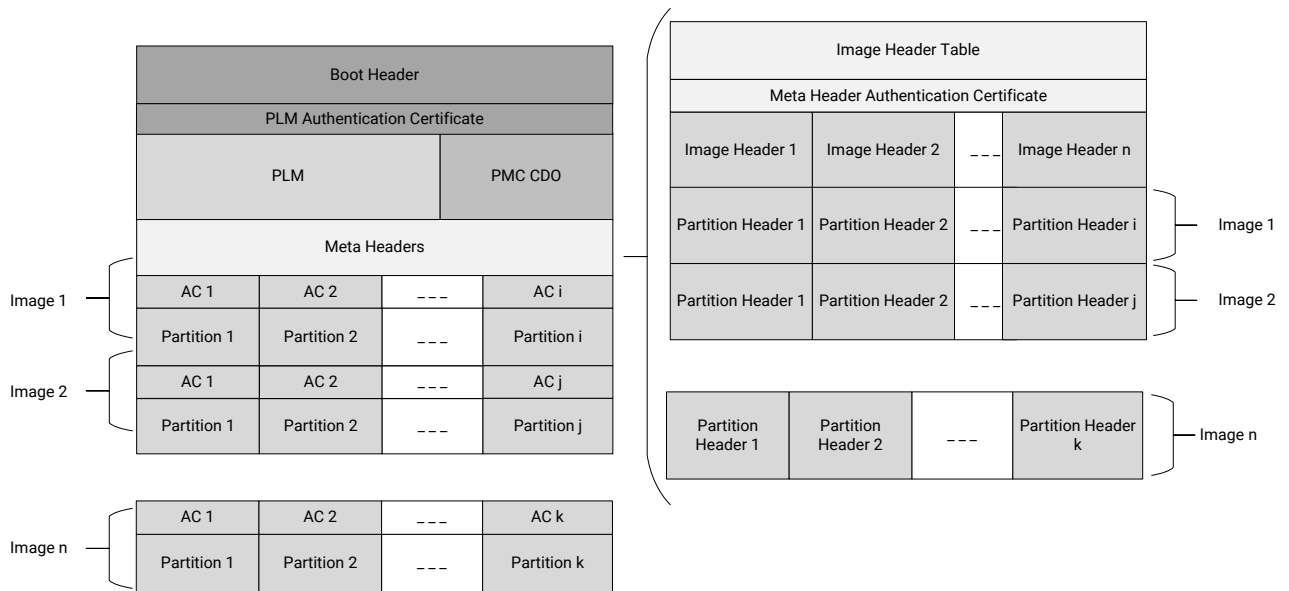
The PDI created by the Vivado/Vitis development system is used to initialize a Versal ACAP. The PDI can include these common elements:

- Boot header (includes image identification, platform loader and manager (PLM) partition size and offset, and other attributes)
- PLM executable and linkable format (ELF) (includes PPU execution code)
- Platform management controller (PMC) configuration data object (CDO) (includes topology, PMC initialization information, and LPD commands for block configuration)
- Meta header (describes organization of subsequent images and partitions)
- One or more images, each with one or more partitions containing:
 - Low-power domain (LPD) CDO
 - Full-power domain (FPD) CDO
 - Processing system manager (PSM) ELF
 - Programmable logic (PL) configuration frame interface (CFI) information rCDO
 - Network on chip (NoC) programming interface (NPI) information rNPI

- AI Engine programming (AI Engine) information CDO
- User code/data (U-Boot, OS image, application, file system)

The high-level organization of the PDI Versal ACAP elements for initial boot are illustrated in the following figure.

Figure 20: Boot Image Block Diagram



X22829-030722

PDI Size Estimation

The Versal architecture comprises a rich set of adaptable resources. The amount of information required in a PDI to initialize the resources in each Versal ACAP depends on the part number. Because a PDI can also contain user code and data, Xilinx® recommends system architects make an informed estimate of PDI size based on information provided by Xilinx, together with system-specific insights known by the architect. The following table lists the small contributor elements to the PDI size generated by the Vivado/Vitis™ development system and maximum sizes are provided for estimation purposes.

Table 9: Estimated Maximum Size for PDI Small Contributors to PDI Size

PDI Contributor	Maximum Size	Maximum Size (Mbits)
Boot header ¹	3,968 Bytes	<<1
PLM ELF ¹	384 KBytes	3
PMC CDO ¹	80 KBytes	<1
Meta header ¹	16 KBytes	<1

Table 9: Estimated Maximum Size for PDI Small Contributors to PDI Size (cont'd)

PDI Contributor	Maximum Size	Maximum Size (Mbits)
LPD CDO ^{1,2}	20 KBytes	<1
FPD CDO ^{1,2}	20 KBytes	<1
PSM ELF ^{1,2}	256 KBytes	2

Notes:

1. Size information is based on non-secure, uncompressed images.
2. LPD CDO, FPD CDO, and PSM ELF element inclusion are dependent on the design.

Additional contributor elements to PDI size are generated by the Vivado/Vitis development system, and when present, are significantly large with sizes depending on the Versal ACAP part number.

- Programmable logic (PL) configuration frame interface (CFI) information
- Network on chip (NoC) programming interface (NPI) information
- AI Engine programming (AI Engine) information

The following table provides size estimation guidance for the larger contributor elements to the PDI.

Table 10: Estimated Maximum Size for PDI Large Contributors to PDI Size

Series	Device	CFI Maximum Size (Mbits)	NPI Maximum Size (Mbits)	AIE Maximum Size (Mbits)	Total (Mbits)
Versal AI Core	VC1352	269	4.5	49.2	322.7
	VC1502	507	13.2	76	596.2
	VC1702	507	13.2	116.7	636.9
	VC1802	715	14.9	115.2	845.1
	VC1902	715	14.9	153.6	883.5
	VC2602	421	11.1	58.4	490.5
	VC2802	421	11.1	116.7	548.8
Versal AI Edge	VE2002	39	1.7	3.1	43.8
	VE2102	39	1.7	4.6	45.3
	VE2202	166	2.8	9.2	178
	VE2302	166	2.8	13.1	181.9
	VE1752	507	13.2	116.7	636.9
	VE2602	421	11.1	58.4	490.5
	VE2802	421	11.1	116.7	548.8

Table 10: Estimated Maximum Size for PDI Large Contributors to PDI Size (cont'd)

Series	Device	CFI Maximum Size (Mbits)	NPI Maximum Size (Mbits)	AIE Maximum Size (Mbits)	Total (Mbits)
Versal HBM	VH1522	1516	24.8	-	1540.8
	VH1542	1516	24.8	-	1540.8
	VH1582	1516	24.8	-	1540.8
	VH1742	2172	34	-	2206
	VH1782	2172	34	-	2206
Versal Premium	VP1002	340	17	-	357
	VP1052	522	17	-	539
	VP1102	568	20.4	-	588.0
	VP1202	842	15.6	-	857.9
	VP1402	805	27.7	-	832.5
	VP1502	1499	24.8	-	1523.5
	VP1552	1516	24.8	-	1540.8
	VP1702	2155	34	-	2189.1
	VP1802	2812	43.1	-	2854.7
	VP2502	1499	25.4	181.2	1705.6
Versal Prime	VP2802	2812	43.8	181.2	3037
	VM1102	166	2.8	-	168.9
	VM1302	277	10.3	-	287.8
	VM1402	484	10.3	-	494
	VM1502	507	13.2	-	520.1
	VM1802	715	14.9	-	729.9
	VM2202	421	11.1	-	431.7
	VM2302	569	27.7	-	596.3
	VM2502	842	15.6	-	857.9
VM2902	805	27.7	-	832.5	

Notes:

1. Size information is based on non-secure, uncompressed images.

User Code/Data (U-Boot, OS Image, Application, File System)

The remaining image contributors to the PDI size are highly dependent on the system design and cannot be known or provided by Xilinx.

Storing multiple PDI, or multiple images in a PDI, to meet system requirements can multiply the desired storage capacity. Adding boot flow options such as security, compression, or partial reconfiguration can change PDI size.

Note: For PDI that includes PL configuration information, reducing the use of block RAM or UltraRAM initialization (e.g., code/data storage or other ROM-like uses) can decrease the CFI contribution provided in the table estimates in this section.

Due to the many factors that can influence the desired storage capacity, Xilinx recommends system architects model their complete needs using “maximum values” based on information provided in this chapter, coupled with system insight and PDIs generated by the Vivado®/Vitis development system reflecting actual boot flow options and including user code/data.

The desired storage capacity guides the selection of the most appropriate Versal ACAP boot modes. For those boot modes used with a non-volatile memory device, the desired storage capacity also guides the selection process of this additional component.

Boot modes supporting NAND flash technology (i.e., eMMC or SD) provide options for the highest capacity storage, while boot modes supporting NOR flash technology (i.e., QSPI or OSPI) provide options for mid-to-low capacity storage (typically 2 Gbit or lower, with 4 Gbit possible using dual stacked/parallel arrangements). For NOR flash technology, the following table provides guidance on minimum flash component size for storing a single non-secure and uncompressed PDI for a primary boot of a Versal ACAP. The effect of user code/data storage, security, compression, partial reconfiguration, or multiple PDI images is a supplemental consideration.

Table 11: Minimum Flash Component Size for Primary Boot with One Uncompressed PDI

Series	Device	Minimum Boot Flash Capacity (Mbits)
Versal AI Core	VC1352	1024
	VC1502	1024
	VC1702	1024
	VC1802	1024
	VC1902	1024
	VC2602	512
	VC2802	1024
Versal AI Edge	VE2002	128
	VE2102	128
	VE2202	256
	VE2302	256
	VE1752	1024
	VE2602	512
	VE2802	1024
VersalHBM	VH1522	2048
	VH1542	2048
	VH1582	2048
	VH1742	4096
	VH1782	4096

Table 11: Minimum Flash Component Size for Primary Boot with One Uncompressed PDI (cont'd)

Series	Device	Minimum Boot Flash Capacity (Mbits)
Versal Premium	VP1002	512
	VP1052	1024
	VP1102	1024
	VP1202	1024
	VP1402	1024
	VP1502	2048
	VP1552	2048
	VP1702	4096
	VP1802	4096
	VP2502	2048
	VP2802	4096
Versal Prime	VM1102	256
	VM1302	512
	VM1402	512
	VM1502	1024
	VM1802	1024
	VM2202	512
	VM2302	1024
	VM2502	1024
	VM2902	1024

Boot Header

The boot header in the programmable device image (PDI) is read by the PMC ROM code unit (RCU) to determine key information such as the platform loader and manager (PLM) location and size, the boot mode bus width, and security encryption key details. The boot header format information is listed in the following table. For additional information on the PDI format, boot header, boot header attributes, meta header, or partition headers see *Bootgen User Guide* (UG1283).

Table 12: Boot Header Format

Offset (Hex)	Size (Bytes)	Description	Details
0x00	16	SelectMAP bus width	Used to determine if the SelectMAP bus width is x8, x16, or x32. See SelectMAP Pattern and Bit Order for the unique entries.

Table 12: Boot Header Format (cont'd)

Offset (Hex)	Size (Bytes)	Description	Details
0x10	4	QSPI bus width	QSPI bus width description. This is required to identify the QSPI flash in single/dual stacked or dual parallel mode. 0xAA995566 in the little endian format.
0x14	4	Image identification	Boot image identification string. Contains 4 bytes X, N, L, X in byte order, which is 0x584c4e58 in the little endian format.
0x18	4	Encryption key source	This field is used to identify the AES key source: 0x00000000 - Unencrypted 0xA5C3C5A3 - eFUSE red key 0xA5C3C5A5 - eFUSE black key 0x3A5C3C5A - BBRAM red key 0x3A5C3C59 - BBRAM black key 0xA35C7C53 - Boot header black key
0x1C	4	PLM source offset	PLM source start address in PDI.
0x20	4	PMC data load address	PMC CDO address to load. The PMC CDO data load address must be 0xF200_0000 for proper PLM operation.
0x24	4	PMC data length	PMC CDO length.
0x28	4	Total PMC data length	PMC CDO length including authentication and encryption overhead.
0x2C	4	PLM length	PLM original image size.
0x30	4	Total PLM length	PLM image size including the authentication and encryption overhead.
0x34	4	Boot header attributes	Boot header attributes.
0x38	32	Black key	256-bit key, only valid when encryption status is set to black key in boot header.
0x58	12	Black IV	Initialization vector used when decrypting the black key.
0x64	12	Secure header IV	Secure header initialization vector.
0x70	4	PUF shutter value	Length of time the PUF samples before it closes the shutter.
0x74	12	Secure header IV for PMC data	The IV used to decrypt secure header of PMC data.
0x80	68	reserved	Populate with zeroes.
0xC4	4	Meta header offset	Offset to the start of the meta header.
0xC8-0x124	96	reserved	
0x128	2048	Register initialization	Stores register write pairs for system register initialization. See TRM Boot Header Register Initialization Feature section and <i>Bootgen User Guide (UG1283)</i> for more detail.
0x928	1544	PUF helper data	PUF helper data.
0xF30	4	Checksum	Header checksum. The boot header checksum covers offset range 0x10 to 0xF30.
0xF34	76	SHA3 padding	SHA3 standard padding.

Boot Modes

The Versal® ACAP boot modes are designed for maximum flexibility. This chapter provides a primary boot mode summary, selection considerations, and interface details. The primary boot modes in the PMC are:

- [JTAG Boot Mode](#)
- [Octal SPI Boot Mode](#)
- [Quad SPI Boot Mode](#)
- [SD Boot Modes](#)
- [eMMC1 Boot Mode](#)
- [SelectMAP Boot Mode](#)

Each boot mode uses a set of I/O pins and has a voltage requirement that can affect post-boot peripheral use of shared MIO on a bank. The best overall boot mode solution for an application considers the overall system requirements, performance, cost, and complexity.

The boot modes are categorized into master or slave boot modes. The master boot modes automatically load the programmable device image from a memory source (SD, eMMC, quad SPI, or octal SPI). The master boot modes provide a basic solution with easy setup. In master boot modes, the POR_B pin release to the first fetch from a boot device is estimated at ~620 μs. This time guides how quickly the flash must be ready to respond to the BootROM. The slave boot modes require an external processor or controller to load the programmable device image with a command set (JTAG or SelectMAP). An advantage of using a slave boot mode is that the device image can reside almost anywhere in the host system or over a network connection. The slave boot modes are multipurpose interfaces that can also be used for system debug and readback.



RECOMMENDED: *Regardless of the boot mode selected, if the secure boot flow is not used, then JTAG connectivity on the board is recommended for the application. JTAG connectivity is a valuable debugging and bring-up interface. See the [JTAG and Boundary-Scan](#) section.*

For systems that require a low-cost solution, QSPI boot modes are ideal with a variety of second-source vendors. For applications that require faster boot times due to power-on latency constraints, the boot modes with wide bus widths are inherently faster. For the master boot modes, the QSPI dual-parallel 8-bit or OSPI 8-bit is an optimal choice for a faster boot time. For slave-boot modes, the SelectMAP 32-bit mode provides the fastest option. For applications with large storage capacity requirements, the SD and eMMC1 boot modes support larger boot memory devices.

The Versal ACAP MIO-at-a-glance table should be reviewed to ensure that the requirements for boot and post-boot peripherals are satisfied. This chapter focuses on the primary boot mode options, however, the Versal ACAP is capable of starting with a primary boot mode and then switching to a secondary boot option (i.e., QSPI primary boot, followed by eMMC0 as a secondary boot option to provide larger density and flexibility). See the *Versal ACAP System Software Developers Guide (UG1304)* for more information on secondary boot options. The following table lists the available primary boot modes. Boot modes that are secure boot capable support both Asymmetric and Symmetric Hardware Root of Trust modes.

Table 13: Primary Boot Modes

Mode	MODE[3:0] Pins	PMC I/O Pins	Secure Boot Capable	Data Bus Width	Description
Interfaces controlled by external devices					
JTAG	0000	Dedicated I/O	No	1-bit	Dedicated JTAG interface
SelectMAP	1010	MIO[51:28, 25:14]	Yes	8-bit, 16-bit, 32-bit	SelectMAP bidirectional parallel data bus interface
Interfaces controlled by on-chip controllers					
OSPI	1000	MIO[12:0]	Yes	8-bit	Octal SPI interface supports single and dual-stacked flash devices
QSPI24	0001	MIO[12:0]	Yes	1-bit, 2-bit, 4-bit (single or dual-stacked) 8-bit (dual-parallel)	Quad SPI interface supports the 24-bit (3-byte) flash addresses ¹
QSPI32	0010	MIO[12:0]	Yes	1-bit, 2-bit, 4-bit (single or dual-stacked) 8-bit (dual-parallel)	Quad SPI interface supports the 32-bit (4-byte) flash addresses. 32-bit flash addressing is required to address flash devices that are greater than 128 Mb. ¹
eMMC1 (4.51)	0110	MIO[12:3,0]	Yes	1-bit, 4-bit, 8-bit	eMMC interface supports eMMC 4.51 at 1.8V
SD0 (3.0)	0011	MIO[49:37]	Yes	4-bit	SD interface supports SD 3.0 with a required SD 3.0 compliant external level shifter
SD1 (2.0)	0101	MIO[51:50,33:28, 26]	Yes	4-bit	SD interface supports SD 2.0
SD1 (3.0)	1110	MIO[51:50, 36:26]	Yes	4-bit	SD interface supports SD 3.0 with a required SD 3.0 compliant external level shifter

Notes:

1. For Quad SPI single flash or dual-stacked flash setups, only a subset of the MIO interface pins listed are required and the MIO interface pins can be used for other peripherals. See the boot interface diagrams for more information.

Boot Pin Usage Guide

The following table illustrates the MIO pins needed for each boot mode. All MIO interfaces are summarized in the tables in the [MIO-at-a-Glance](#) section.

Table 14: Boot Pin Usage Summary Table

MIO Pin	0	1:2	3:11	12	13	14:25	26	27	28:33	34	35	36	37: 49	50:51
Pin Count	1	2	9	1	1	12	1	1	6	1	1	1	13	2
Octal SPI	0:12			-			-							
Quad SPI	0:12			-			-							
SD0 (3.0)	-						-						37: 49	-
SD1 (2.0)	-						26	-	28:33	-				50:51
SD1 (3.0)	-						26:36						-	50:51
eMMC1	0	-	3:12	-			-							
SMAP	8 bit	-				14:25	-							
	16-bit	-				14:25	-	28:35				-		
	32-bit	-				14:25	-	28:51						

Boot Mode Search Limits

The BootROM has a search limit to locate the device image boot header for every boot mode. If a boot mode search limit is reached without a successful boot, the RCU goes into lockdown and the ERROR_OUT pin is set. The following table lists the boot image search limits for each mode.

Table 15: Boot Mode Search Limit

Boot Mode	Search Offset Limit
OSPI (single, dual-stacked)	8 Gb
QSPI24 (dual-parallel)	256 Mb
QSPI24 (single, dual-stacked)	128 Mb
QSPI32 (dual-parallel)	8 Gb
QSPI32 (single, dual-stacked)	4 Gb
SD0 (3.0), SD1 (2.0), SD1 (3.0), or eMMC1	8191 FAT files (default)
eMMC1 (raw)	eMMC device size

Note: When using OSPI or QSPI dual-stacked mode, the BootROM can only access the lower QSPI or OSPI addressable flash memory space for boot. After boot, the PLM can access the upper QSPI or OSPI for additional image storage.

JTAG Boot Mode

The JTAG interface is a multipurpose interface used for both boot and debug functions (PMC TAP JTAG operations, Arm® DAP debug, and interfaces to the debug packet controller for ChipScope™ solution debug). Due to this flexibility, the JTAG boot mode is popular for initial design bring-up and is a recommended interface for all applications. The JTAG boot mode uses only dedicated I/O. During boot, the BootROM sets configuration registers that apply to each boot mode. For JTAG boot mode, the BootROM sets the registers to the initial values shown in the following table.

Table 16: BootROM Initialization for JTAG

Register Name	Base Address	Register Value	Description
Dst_Ctrl2	0xF11D_0824	0x081B_FFF8	DST DMA setup
RST_SBI	0xF126_0324	0x0000_0000	SBI RST not asserted
SBI_MODE	0xF122_0000	0x0000_0002	Device configuration mode, JTAG pass through SBI (PDI loading)
SBI_CTRL	0xF122_0004	0x0000_0025	JTAG mode data transfer, SBI enabled
PMCPLL_CTRL	0xF126_0040	0x0002_4800	PMC PLL (PPLL) setup uses reset defaults (REF_CLK multiplied by 72 (FBDIV) and divided by 4 (CLKOUTDIV))

See [Section XV: Test and Debug](#) for information on JTAG instructions and JTAG chain.

Table 17: JTAG Boot Mode Interface

Pin Name	Pin Type	Direction	Description
TDI	Dedicated	Input	Test data input
TDO	Dedicated	Output	Test data output
TMS	Dedicated	Input	Test mode select
TCK	Dedicated	Input	Test clock

Octal SPI Boot Mode

The octal SPI (OSPI) boot mode has an SPI compatible serial bus interface with extended octal commands. The OSPI boot mode supports an 8-bit data bus width and single transfer rate (STR) during the RCU BootROM execution. The BootROM runs at an OSPI device clock frequency between 11 MHz and 24.5 MHz dependent on the REF_CLK setting.

After the BootROM execution, the PLM can support the double data rate (DDR) with strobe for higher performance. For additional information on the OSPI controller, see [Octal SPI Controller](#). For details on OSPI flash device support, see the *Vivado Design Suite User Guide: Programming and Debugging* (UG908).

Note: The OSPI boot mode can be configured to a OSPI single or dual-stacked setup. When using OSPI dual-stacked mode, the BootROM can only access the lower OSPI0 addressable flash memory space for boot. After boot, the PLM can access the upper OSPI1 for additional image storage.

The following table lists the STR OSPI commands supported by the RCU BootROM.

Table 18: OSPI Commands Supported by RCU for Boot

Boot Mode	Data Width	Read Command	Command Code	Dummy Cycles
OSPI	1	Read	03h	-
OSPI	1	4-byte read	13h	-
OSPI	8	4-byte octal output fast read	7Ch	8

In OSPI boot mode, the device initiates the boot sequence with the default 4-byte address octal output fast read command code 7Ch and the BootROM searches for a valid boot header. If a valid boot header is not found, the Versal ACAP attempts to load the image using the 4-byte alternate addressing read command code 13h. If a valid boot header is still not detected, the basic read command 03h is tried. If the boot attempt is unsuccessful after the third command, the BootROM increments the MultiBoot register (PMC_MULTI_BOOT) read address offset by 32 KB and tries the OSPI command sequence again to locate a valid boot header. If the OSPI boot mode search limit is reached without a successful boot, the RCU goes into lockdown and the ERROR_OUT pin is set.

The image search limit for each boot mode is listed in [Table 15: Boot Mode Search Limit](#).

Octal SPI Register Boot Settings

The BootROM sets configuration registers that apply to each boot mode. For octal SPI boot mode, the BootROM sets the registers to the initial values shown in the following table.

Table 19: BootROM Initialization for Octal SPI

Register Name	Base Address	Register Value	Description
OSPI_REF_CTRL	0xF126_0120	0x0100_0B00	Select PPLL divided by 11 (DIVISOR), clock enabled
MIO_Bank0_Schmitt_En	0xF106_010C	0x0000_17BF	Enable Schmitt on OSPI MIO pins
MIO_Bank0_Tristate	0xF106_0200	0x03FF_E840	Disable 3-state override on OSPI MIO pins
RST_OSPI	0xF126_0304	0x0000_0000	OSPI RST not asserted
OSPI_AXI_Sel	0xF106_0504	0x0000_0001	OSPI selected

Table 19: BootROM Initialization for Octal SPI (cont'd)

Register Name	Base Address	Register Value	Description
PMCPLL_CTRL	0xF126_0040	0x0002_4800	PMC PLL (PPLL) setup uses reset defaults (REF_CLK multiplied by 72 (FBDIV) and divided by 4 (CLKOUTDIV))

Octal SPI Signals

In OSPI boot mode, MIO[0:5, 7:12] are configured by the BootROM to use:

- Default drive strength (8 mA)
- Default slew rate (slow)
- Default weak pull-ups (enabled)
- Enables the Schmitt trigger
- Disables the 3-state override

The remaining MIOs are not set by the BootROM and remain at their default state. If a secure lockdown occurs during boot, the BootROM sets the PMC_GLOBAL TRISTATE_OVERRIDE register to force all I/Os into a tristate mode. This register is then reserved for use by the PLM firmware.

The following table lists the bidirectional PMC multiplexed I/Os (MIOs) and their functions used in the OSPI boot mode setup.

Table 20: Octal SPI Boot Mode Signals

PMC_MIO Pin	Signal Name	Description
0	OSPI_CLK	OSPI clock output for OSPI0 in single setup, or OSPI clock output for OSPI0 and OSPI1 in dual-stacked setup.
1	OSPI_IO[0]	Data pin used for OSPI single or dual-stacked boot mode setup
2	OSPI_IO[1]	Data pin used for OSPI single or dual-stacked boot mode setup
3	OSPI_IO[2]	Data pin used for OSPI single or dual-stacked boot mode setup
4	OSPI_IO[3]	Data pin used for OSPI single or dual-stacked boot mode setup
5	OSPI_IO[4]	Data pin used for OSPI single or dual-stacked boot mode setup
7	OSPI_IO[5]	Data pin used for OSPI single or dual-stacked boot mode setup
8	OSPI_IO[6]	Data pin used for OSPI single or dual-stacked boot mode setup
9	OSPI_IO[7]	Data pin used for OSPI single or dual-stacked boot mode setup
10	OSPI0_CS_b	Active-Low select output enables OSPI0 (lower) flash device
11	OSPI1_CS_b	Active-Low select output enables OSPI1 (upper) flash device, used in dual-stacked setup

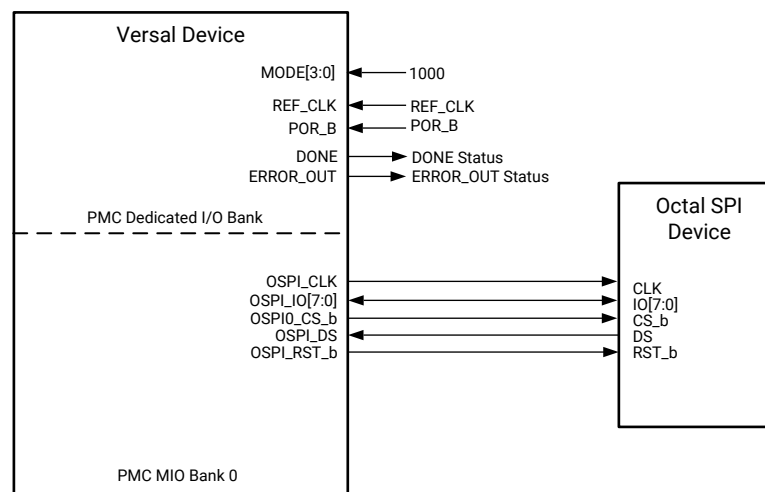
Table 20: Octal SPI Boot Mode Signals (cont'd)

PMC_MIO Pin	Signal Name	Description
6	OSPI_DS	Data strobe input, supports the DDR option in octal SPI boot mode. The octal SPI compatible flash must support SDR at power on. During the RCU boot phase initial checks SDR is required, then the PPU can switch the flash to DDR mode for faster boot time.
12	OSPI_RST_b	Active-Low reset output to reset the OSPI flash. The OSPI_RST_b signal must be connected to the OSPI flash. The PMC_GPIO channel is assigned to the OSPI flash reset pin MIO[12]. When the PMC RCU detects the octal SPI boot mode, it asserts and then deasserts the MIO[12] pin to reset the flash to a default state during boot.

Single Device Interface

The following figure shows an example OSPI setup for boot from a single flash device.

Figure 21: Single Octal SPI Interface Example



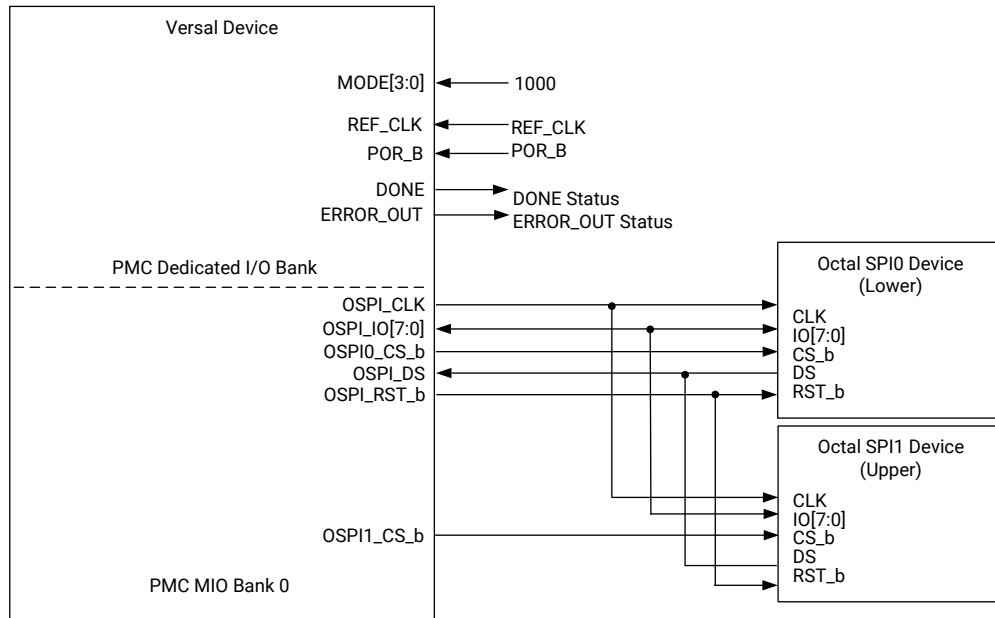
X22541-102020

Dual-Stacked Interface

In OSPI boot mode, the dual-stacked configuration uses two OSPI flash devices to double the maximum addressable flash memory storage for the application. The OSPI dual-stacked configuration requires one additional chip select pin compared to the OSPI single configuration. In this mode, only the lower OSPI addressable flash memory space can be used for boot and the throughput remains the same as it is in the OSPI single-device mode.

An example of the dual-stacked OSPI setup with the 32-bit addressing mode is shown in the following figure.

Figure 22: Dual-Stacked Octal SPI Interface Example



X22719-102020

Quad SPI Boot Mode

The Versal ACAP supports a 24-bit addressing mode (QSPI24) boot mode or a 32-bit addressing (QSPI32) boot mode option. The QSPI32 boot mode option addresses flash sizes greater than 128 Mb. The QSPI boot mode supports multiple data bus widths and setups. In the QSPI boot modes, the BootROM runs at a QSPI device clock frequency between 11 MHz and 24.5 MHz dependent on the REF_CLK setting. For additional information on the quad SPI controller, see [Quad SPI Controller](#). For details on QSPI flash support, see the *Vivado Design Suite User Guide: Programming and Debugging (UG908)*.

The QSPI boot mode setups supported are listed in the following table.

Table 21: Quad SPI Boot Mode Setups

Quad SPI Setup	Flash Device Count	Chip Select Count	Data Width Max
Single (1-bit, 2-bit, 4-bit)	1	1	4
Dual-stacked ¹ (1-bit, 2-bit, 4-bit)	2	2	4
Dual-parallel (8-bit)	2	2	8

Notes:

1. When using QSPI dual-stacked mode, the BootROM can only access the lower QSPI addressable flash memory space for boot. After boot, the PLM can access the upper QSPI for additional image storage.

The boot mode image search limits are listed in [Table 15: Boot Mode Search Limit](#).

QSPI devices support different commands. The RCU supports a common subset of commands for boot as listed in the following table.

Table 22: Quad SPI Commands Supported by the RCU

Boot Mode	Data Width	Read Mode	Command Code	Dummy Cycles
QSPI24	1	Normal read (3-Byte)	03h	-
QSPI24	2	Dual Output fast read (3-Byte)	3Bh	8
QSPI24	4	Quad Output fast read (3-Byte)	6Bh	8
QSPI32	1	Normal read (4-Byte)	13h	-
QSPI32	2	Dual Output fast read (4-Byte)	3Ch	8
QSPI32	4	Quad Output fast read (4-Byte)	6Ch	8
QSPI32	8	Quad Output fast read (4-Byte)	6Ch	8

I/O Configuration Detection

The BootROM can detect the intended I/O width of the QSPI interface using the width detection parameter value (0xAA995566) and the image identification parameter value (0x584C4E58) in an 8-bit parallel configuration.

4-bit I/O Detection

During the QSPI boot process, the BootROM configures the controller with 4-bit I/O. The BootROM reads the first (and, possibly, the only) QSPI device in 1-bit mode. It reads the width detection parameter in the BootROM header. If the width detection parameter is equal to 0xAA995566, the BootROM assumes it found a valid header that is requesting a 4-bit I/O configuration. It might be one device or it might be a dual 4-bit stacked configuration. In the latter case, the stacked (second) device is always ignored by the BootROM, but it might be accessed by user code. After reading the width detection parameter in 1-bit mode, the BootROM attempts to read the parameter in 4-bit mode. If 4-bit mode fails, it tries 2-bit mode. After this, the BootROM will use the 8-bit I/O bus width to attempt access to the QSPI device.

8-bit I/O Detection

In the QSPI 8-bit parallel configuration, the BootROM only reads the even bits of the BootROM header because it is only accessing the first device and the header is split across both devices. The BootROM forms a 32-bit word that includes the even bits of the width detection (0x20) and image identification (0x24) parameter values. When the BootROM detects this condition, it assumes the system uses the 8-bit parallel configuration and programs the controller for the x8 operating mode. This mode is used for the rest of the boot process.

Quad SPI Register Boot Settings

The BootROM sets configuration registers that apply to each boot mode. For quad SPI boot mode, the BootROM sets the registers to the initial values shown in the following table.

Table 23: BootROM Initialization for Quad SPI

Register Name	Base Address	Register Value	Description
QSPI_REF_CTRL	0xF126_0118	0x0100_0B00	Select PPLL divided by 11 (DIVISOR), clock enabled
MIO_Bank0_Schmitt_En	0xF106_010C	0x0000_1FBF	Enable Schmitt on QSPI MIO pins
OSPI_AXI_Sel	0xF106_0504	0x0000_0000	QSPI selected
MIO_Bank0_Tristate	0xF106_0200	0x03FF_E040	Disable 3-state override on QSPI MIO pins
RST_QSPI	0xF126_0300	0x0000_0000	QSPI RST not asserted
Mode	0xF103_0144	0x0000_0001	Generic QSPI mode
GQSPI_Cfg	0xF103_0100	0x8008_0008	QSPI_REF_CLK is divided by 4 (BAUD_RATE_DIV)
GQSPI_En	0xF103_0114	0x0000_0001	Generic QSPI controller enabled
PMCPLL_CTRL	0xF126_0040	0x0002_4800	PMC PLL (PPLL) setup uses reset defaults (REF_CLK multiplied by 72 (FBDIV) and divided by 4 (CLKOUTDIV)

Quad SPI Signals

In QSPI24/QSPI32 boot modes, MIO[6:0] for single device/dual-stacked device setups, or MIO[12:0] for dual-parallel device setups are configured by the BootROM to use:

- Default drive strength (8 mA)
- Default slew rate (slow)
- Default weak pull-ups (enabled)
- Enables the Schmitt trigger input
- Disables the 3-state override

The remaining MIOs are not set by the BootROM and remain at their default state. If a secure lockdown occurs during boot, the BootROM sets the PMC_GLOBAL [TRISTATE_OVERRIDE](#) register to force all I/Os into a tristate mode. This register is then reserved for use by the PLM firmware.

The following table lists the bidirectional PMC multiplexed I/Os (MIOs) and their functions used in the quad SPI boot mode setup.

Table 24: Quad SPI Boot Mode Signals

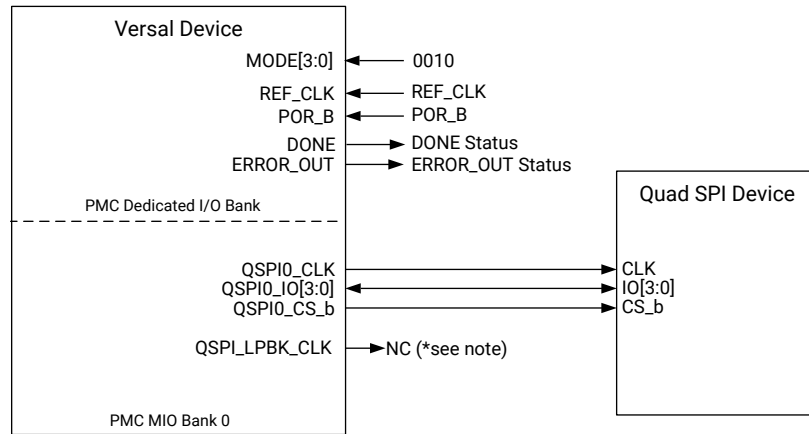
PMC MIO Pin	Signal Name	Description
0	QSPIO_CLK	QSPIO clock output
4	QSPIO_IO[0]	I/O pin used as MOSI in 1-bit mode I/O pin used as the lower QSPIO_IO[0] in 2-bit or 4-bit single or dual-stacked setups, and in 8-bit dual-parallel setups
1	QSPIO_IO[1]	I/O pin used as MISO in 1-bit mode I/O pin used as the lower QSPIO_IO[1] in 2-bit or 4-bit single or dual-stacked setups, and in 8-bit dual-parallel setups
2	QSPIO_IO[2]	I/O pin used as the lower QSPIO_IO[2] in 4-bit single or dual-stacked setups, and in 8-bit dual-parallel setups
3	QSPIO_IO[3]	I/O pin used as the lower QSPIO_IO[3] in 4-bit single or dual-stacked setups, and in 8-bit dual-parallel setups
5	QSPIO_CS_b	Active-Low chip select output that enables QSPIO (lower) flash device
12	QSPI1_CLK	QSPI1 clock output
8	QSPI1_IO[0]	I/O pin used as MOSI in 1-bit mode I/O pin used as the upper QSPI1_IO[0] in 2-bit or 4-bit dual-stacked setups, and in 8-bit dual-parallel setups
9	QSPI1_IO[1]	I/O pin used as MISO in 1-bit mode I/O pin used as the upper QSPI1_IO[1] in 2-bit or 4-bit dual-stacked setups, and in 8-bit dual-parallel setup
10	QSPI1_IO[2]	I/O pin used as the upper QSPI1_IO[2] in 4-bit dual-stacked setups, and in 8-bit dual-parallel setups
11	QSPI1_IO[3]	I/O pin used as the upper QSPI1_IO[3] in 4-bit dual-stacked setups, and in 8-bit dual-parallel setups
7	QSPI1_CS_b	Active-Low chip select output enables QSPI1 (upper) flash device
6	QSPI_LPBK_CLK	I/O pin used for loopback clock The loopback clock is an internal clock signal that is routed through the output buffer to this pin and returned back through the pin's input buffer to the quad SPI controller for I/O delay compensation. When the quad SPI device clock frequency is >37.5 MHz, the loopback clock must be enabled in the CIPS IP core and the MIO[6] must be left unconnected on the board. When the quad SPI device clock frequency ≤37.5 MHz, the loopback clock should be disabled in the CIPS IP core so MIO[6] is not used by the quad SPI controller. If the interface is not run at >37.5 MHz, the MIO[6] can be used as another peripheral I/O.

Single Device Interface

The QSPI single-device mode is a common setup because it is low cost and has a lower pin count boot and configuration option. The QSPI single-device mode supports 1-bit, 2-bit, and 4-bit bus widths. This mode also supports 24-bit addressing and 32-bit addressing modes.

An example QSPI interface setup for a 4-bit bus width and 32-bit addressing mode is shown in the following figure.

Figure 23: Quad SPI Single Device Interface

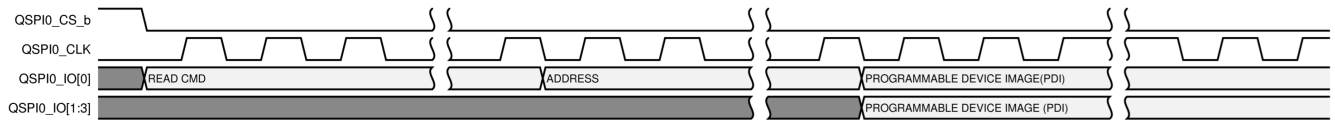


Note: For QSPI0_CLK >37.5 MHz, QSPI_LPBK_CLK must be enabled in the design and left unconnected on the board.

X22624-052821

The following figure shows an example QSPI read waveform with the relative sequence of events.

Figure 24: QSPI Example Read Waveform

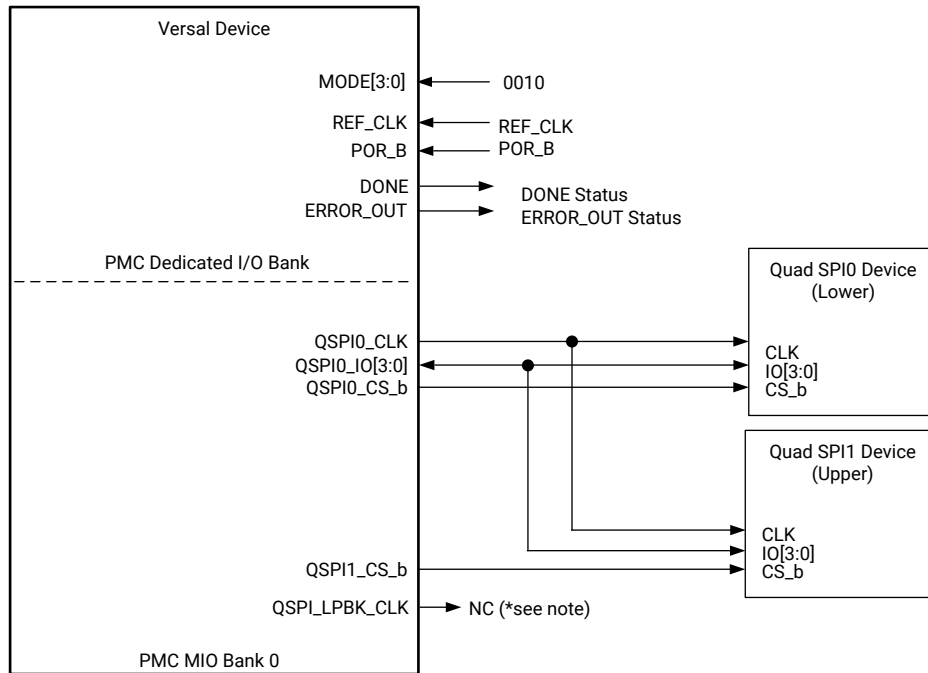


Dual-Stacked Interface

Two QSPI devices share the same bus in QSPI dual-stacked mode to double the maximum addressable flash memory storage for the application. This mode also reduces the boot interface I/O pin count because the bus is shared and only one additional interface pin is needed for the flash select. In this mode, only the lower QSPI addressable flash memory space can be used for boot and the throughput remains the same as it is in the QSPI single-device mode.

An example of the dual-stacked QSPI setup is with the 32-bit addressing mode is shown in the following figure.

Figure 25: Dual-Stacked Quad SPI Interface Example



Note: For QSPI0_CLK >37.5 MHz, QSPI_LPBK_CLK must be enabled in the design and unconnected on the board.

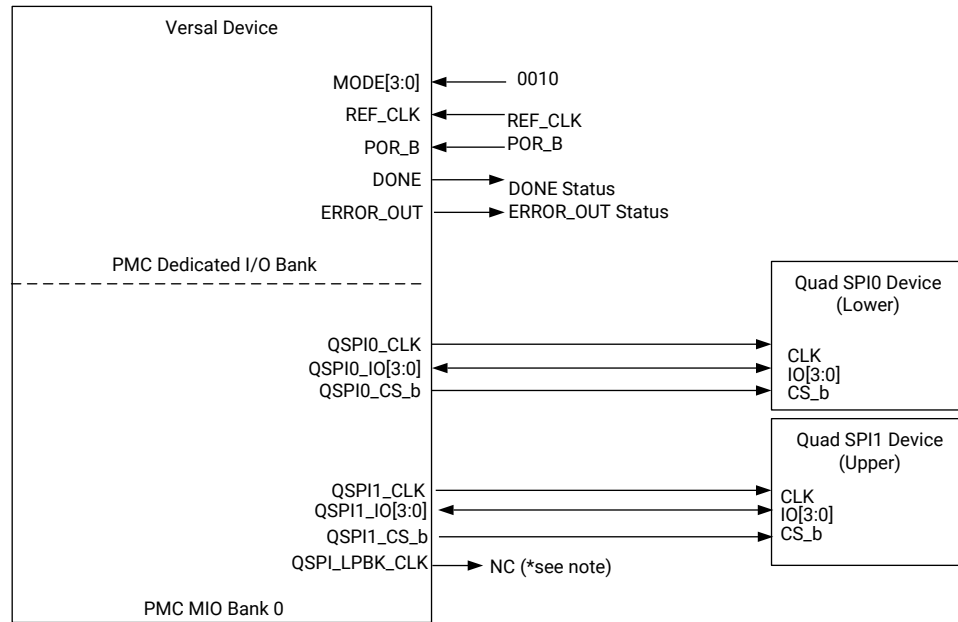
X22635-052821

Dual-Parallel Interface

The QSPI dual-parallel mode increases performance by combining two QSPI devices with 4-bit data widths to create an 8-bit data bus width. The QSPI dual-parallel mode only supports each QSPI device in a 4-bit data bus width. The QSPI dual-parallel mode does not support QSPI devices in 1-bit or 2-bit data bus widths.

An example of the dual-parallel QSPI setup with the 32-bit addressing mode is shown in the following figure.

Figure 26: Dual-Parallel Quad SPI Interface Example



Note: For QSPI0_CLK >37.5 MHz, QSPI_LPBK_CLK must be enabled in the design and unconnected on the board.

X22635-052821

SD Boot Modes

There are two SD/eMMC controllers on the Versal ACAP. The SD/eMMC controllers can be used for SD or eMMC and are mutually exclusive. When the controller is selected to support SD, the eMMC mode cannot be used.

The SD/eMMC controllers support three SD boot modes with different MIO pin usage. The SD1 (2.0) boot mode supports the SD2.0 specification. The SD1 (3.0) and SD0 (3.0) boot modes support the SD3.0 specification with an external SD3.0 compliant voltage-level shifter. In the SD boot modes, the RCU BootROM runs at an SD device clock frequency between 8.7 MHz and 19.3 MHz dependent on the REF_CLK setting. FAT 16/32 file systems are supported for reading the boot images.

The image search limit for SD boot mode is listed in [Table 15: Boot Mode Search Limit](#).

For additional information on the SD/eMMC controller, see [SD/eMMC Controllers](#).

SD Register Boot Settings

The BootROM sets configuration registers that apply to each boot mode. For SD boot modes, the BootROM sets the registers to the initial values shown in the following tables.

Table 25: SD0 Register Boot Settings

Register Name	Base Address	Register Value	Description
SD0_REF_CTRL	0xF126_0124	0x0100_1200	Select PPLL divided by 18 (DIVISOR), clock enabled
SD0_Clk_Ctrl	0xF106_0400	0x0000_0001	SD0 I/O feedback clock control MIO[38]
MIO_Bank1_Schmitt_En	0xF106_030C	0x00FF_D000	Enable Schmitt on SD0 MIO pins
MIO_Bank1_Tristate	0xF106_0204	0x0300_2FFF	Disable 3-state override on SD0 MIO pins
RST_SDIO0	0xF126_0308	0x0000_0000	SDIO RST not asserted
SD0_Cfg_Reg1	0xF106_0410	0x0000_1E50	Base clock frequency, sync wake-up mode
SD0_CD_Ctrl	0xF106_044C	0x0000_0000	CD signal from SD/eMMC is used
SD0_Ctrl	0xF106_0404	0x0000_0000	SD mode enabled
SD0_Cfg_Reg2	0xF106_0414	0x0000_0FFC	SD0 configuration setup
PMCPLL_CTRL	0xF126_0040	0x0002_4800	PMC PLL (PPLL) setup uses reset defaults (REF_CLK multiplied by 72 (FBDIV) and divided by 4 (CLKOUTDIV))

Table 26: SD1 Register Boot Settings

Register Name	Base Address	Register Value	Description
SD1_REF_CTRL	0xF126_0128	0x0100_1200	Select PPLL divided by 18 (DIVISOR), clock enabled
SD1_Clk_Ctrl	0xF106_0480	0x0000_0001	SD1 I/O feedback clock control on MIO[26]
MIO_Bank1_Schmitt_En	0xF106_030C	0x0200_07FB	Enable Schmitt on SD1 MIO pins
MIO_Bank1_Tristate	0xF106_0204	0x01FF_F804	Disable 3-state override on SD1 MIO pins
RST_SDIO1	0xF126_030C	0x0000_0000	SDIO RST not asserted
SD1_Cfg_Reg1	0xF106_0490	0x0000_1E50	Base clock frequency, sync wake-up mode
SD1_CD_Ctrl	0xF106_04CC	0x0000_0000	CD signal from SD/eMMC is used
SD1_Ctrl	0xF106_0484	0x0000_0000	SD mode enabled
SD1_Cfg_Reg2	0xF106_0494	0x0000_0FFC	SD1 configuration setup
PMCPLL_CTRL	0xF126_0040	0x0002_4800	PMC PLL (PPLL) setup uses reset defaults (REF_CLK multiplied by 72 (FBDIV) and divided by 4 (CLKOUTDIV))

SD Signals

In SD boot modes, MIO[26, 29, 30:33] for SD1 (2.0), MIO[26:27, 29:36] for SD1 (3.0), or MIO[38, 40:48] for SD0 (3.0) are configured by the BootROM to use:

- Default drive strength (8 mA)
- Default slew rate (slow)
- Default weak pull-ups (enabled)
- Enables the Schmitt trigger
- Disables the master 3-state

The remaining MIOs are not set by the BootROM and remain at their default state. If a secure lockdown occurs during boot, the BootROM sets the PMC_GLOBAL TRISTATE_OVERRIDE register to force all I/Os into a tristate mode. This register is then reserved for use by the PLM firmware.

The following table lists the bidirectional PMC multiplexed I/Os (MIOs) and their functions used in the SD boot mode setup.

Table 27: SD1 (2.0) Boot Mode Signals

PMC MIO Pin	Signal Name	Description
26	SD1_CLK	SD1 clock output.
29	SD1_CMD	SD1 command.
30	SD1_DATA[0]	Data pin used in SD1 boot mode.
31	SD1_DATA[1]	Data pin used in SD1 boot mode.
32	SD1_DATA[2]	Data pin used in SD1 boot mode.
33	SD1_DATA[3]	Data pin used in SD1 boot mode.
28	SD1_DETECT	Provides a card detect input that reflects the state of the mechanical switch on the SD card. The card detect signal is not required for primary boot. Not supported by BootROM.
50	SD1_WP	Write protect input signal. The write protect signal is not required for primary boot. Not supported by BootROM.
51	SD1_BUSPWR	Bus power output that can be used to gate or reset the SD card power on the board. The bus power signal is not required for primary boot. Not supported by BootROM.

Table 28: SD1 (3.0) Boot Mode Signals

PMC MIO Pin	Signal Name	Description
26	SD1_CLK	SD1 clock output.
29	SD1_CMD	SD1 command.
30	SD1_DATA[0]	Data pin used in SD1 boot mode.
31	SD1_DATA[1]	Data pin used in SD1 boot mode.
32	SD1_DATA[2]	Data pin used in SD1 boot mode.

Table 28: SD1 (3.0) Boot Mode Signals (cont'd)

PMC MIO Pin	Signal Name	Description
33	SD1_DATA[3]	Data pin used in SD1 boot mode.
34	SD1_SEL	Select signal output is automatically asserted when SD3.0 mode is selected. Select signal enables an external voltage translator to switch from 3.3V to 1.8V to operate the SD card at the highest performance supported.
35	SD1_DIR_CMD	DIR CMD output determines if the command is an input or output.
36	SD1_DIR0	DIR0 output determines if Data[0] is an input or output.
27	SD1_DIR1	DIR1 output determines if Data[3:1] direction is an input or output.
28	SD1_DETECT	Provides a card detect input that reflects the state of the mechanical switch on the SD card. The card detect signal is not required for primary boot. Not supported by BootROM.
50	SD1_WP	Write protect input signal. The write protect signal is not required for primary boot. Not supported by BootROM.
51	SD1_BUSPWR	Bus power output that can be used to gate or reset the SD card power on the board. Not required for primary boot. BootROM configures the bus power signal in SD1 (3.0) boot mode.

Table 29: SD0 (3.0) Boot Mode Signals

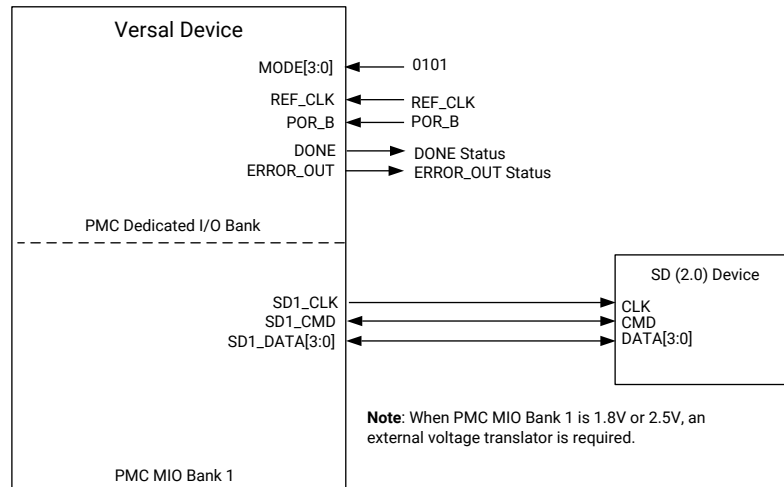
PMC MIO Pin	Signal Name	Description
38	SD0_CLK	SD0 clock output.
40	SD0_CMD	Command signal.
41	SD0_DATA[0]	Data pin used in SD0 boot mode.
42	SD0_DATA[1]	Data pin used in SD0 boot mode.
43	SD0_DATA[2]	Data pin used in SD0 boot mode.
44	SD0_DATA[3]	Data pin used in SD0 boot mode.
45	SD0_SEL	Select signal is automatically asserted when SD3.0 mode is selected. Select signal enables an external voltage translator to switch from 3.3V to 1.8V to operate the SD card at the highest performance supported.
46	SD0_DIR_CMD	DIR_CMD output, determines if the command is an input or output.
47	SD0_DIR0	DIR0 output determines if Data[0] is an input or output.
48	SD0_DIR1	DIR1 output determines if Data[3:1] direction is an input or output.
39	SD0_DETECT	Provides a card detect input that reflects the state of the mechanical switch on the SD card. The card detect signal is not required for primary boot. Not supported by BootROM.
37	SD0_WP	Write protect input signal. The write protect signal is not required for primary boot. Not supported by BootROM.
49	SD0_BUSPWR	Bus power output that can be used to gate or reset the SD card power on the board. Not required for primary boot. BootROM configures the bus power signal in SD0 (3.0) boot mode.

SD2.0 Interface

The SD 2.0 interface figure shows the SD1 (2.0) boot mode interface from a single SD flash device and expects the PMC_MIO Bank1 to be at 3.3V.

The PMC_MIO Bank 1 voltage is used by all 26 MIO included in that bank. If the PMC_MIO Bank1 is shared by other peripherals that require 1.8V or 2.5V to be used, an external voltage level translator is required to interface to the SD card in SD1(2.0) boot mode.

Figure 27: SD 2.0 Interface



X22631-102920

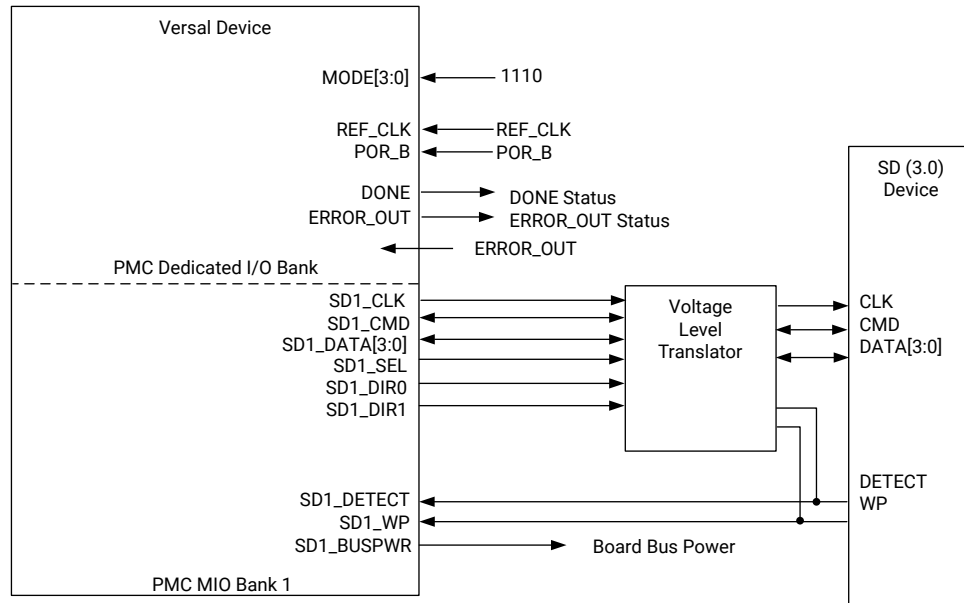
The SD1_DETECT, SD1_WP, and SD1_BUSPWR are optional interface signals not required for primary boot.

SD3.0 Interface

The following figure shows the SD1 (3.0) boot mode interface from a single SD flash device using a voltage level translator.

The PMC_MIO Bank1 is expected to be at 1.8V for SD 3.0 boot modes. In SD 3.0 boot modes, an external voltage level translator is needed to enable the controller to initially interface at 3.3V with the SD card and then 1.8V for high-speed transfers.

Figure 28: SD1 (3.0) Interface Example



Note: The SDx_DIR0 and SDx_DIR1 direction signals might not be required for all devices. Verify with device vendor.

X22632-102020

This figure shows the requirement of a voltage level translator. The SD1_DETECT, SD1_WP, and SD1_BUSPWR are optional interface signals that are not required for primary boot. If the SD1_DETECT and SD1_WP signals are used, connecting them to the voltage level translator as shown in the figure can provide ESD protection and pull-ups.

The SD0 (3.0) controller interface setup is the same except the boot mode setting is $MODE[3:0]=0011$ and the SD0 named signals are used instead of SD1.

eMMC1 Boot Mode

There are two SD/eMMC controllers on the Versal ACAP. The SD/eMMC controllers can be used for SD or eMMC and are mutually exclusive. When the controller is selected to support eMMC the SD mode cannot be used. Only one of the SD/eMMC controllers supports the eMMC boot mode, the SD1/eMMC1 controller.

The SD1/eMMC1 controller supports the 4.51 eMMC specification. FAT 16/32 file systems and select raw partition combinations are supported for reading the boot images from eMMC for primary boot. Raw partitions, not formatted and without a file system, are supported for primary boot mode, the boot partition 1, boot partition 2, or the user area of the eMMC. Using eMMC FAT 16/32 file system for primary boot mode and eMMC as secondary boot mode is not supported. The image search limit for eMMC1 boot mode is listed in [Table 15: Boot Mode Search Limit](#). See the *Versal ACAP System Software Developers Guide (UG1304)* for additional details on supported raw boot options.

In the eMMC1 boot mode, the RCU BootROM runs at an eMMC1 device clock frequency between 8.7 MHz and 19.3 MHz dependent on the REF_CLK setting. The eMMC1 boot mode supports 1.8V and 1-bit, 4-bit, and 8-bit data interfaces. The BootROM uses auto-width detection to determine the data bus width for initial boot. The auto-bus width detection starts by checking the 8-bit data bus width, followed by 4-bit data bus width, and then 1-bit data bus width.

Note: When connecting to the eMMC1 controller using a 1-bit data bus width, note the detection order because the remainder of the 8-bit data bus MIO data pins toggle during the initial bus-width detection.

For additional information on the SD/eMMC controller, see [SD/eMMC Controllers](#). For details on eMMC flash support, see *Vivado Design Suite User Guide: Programming and Debugging (UG908)*.

eMMC1 Register Boot Settings

The BootROM sets configuration registers that apply to each boot mode. For eMMC1 boot mode, the BootROM sets the registers to the initial values shown in the following table.

Table 30: eMMC1 Register Boot Settings

Register Name	Base Address	Register Value	Description
SD1_REF_CTRL	0xF126_0128	0x0100_1200	Select PPLL divided by 18 (DIVISOR), clock enabled
SD1_Clk_Ctrl	0xF106_0480	0x0000_0000	eMMC1 I/O feedback clock control MIO[0] selected
MIO_Bank0_Schmitt_En	0xF106_010C	0x0000_1FF9	Enable Schmitt on eMMC1 MIO pins
MIO_Bank0_Tristate	0xF106_0200	0x03FF_E006	Disable 3-state override on eMMC1 MIO pins
RST_SDIO1	0xF126_030C	0x0000_0000	SDIO RST not asserted
SD1_Cfg_Reg1	0xF106_0490	0x0000_1E50	Base clock frequency, sync wake-up mode
SD1_CD_Ctrl	0xF106_04CC	0x0000_0000	CD signal from SD/eMMC is used
SD1_Ctrl	0xF106_0484	0x0000_0001	eMMC1 enabled
SD1_Cfg_Reg2	0xF106_0494	0x0000_1FFC	eMMC1 configuration setup

Table 30: eMMC1 Register Boot Settings (cont'd)

Register Name	Base Address	Register Value	Description
PMCPLL_CTRL	0xF126_0040	0x0002_4800	PMC PLL (PPLL) setup uses reset defaults (REF_CLK multiplied by 72 (FBDIV) and divided by 4 (CLKOUTDIV))

eMMC1 Signals

In eMMC1 boot mode, the MIO[0, 3:12] are configured by the BootROM to use:

- Default drive strength (8 mA)
- Default slew rate (slow)
- Default weak pull-ups (enabled)
- Enables the Schmitt trigger
- Disables the 3-state override

The remaining MIOs are not set by the BootROM and remain at their default state. If a secure lockdown occurs during boot, the BootROM sets the PMC_GLOBAL TRISTATE_OVERRIDE register to force all I/Os into a tristate mode. This register is then reserved for use by the PLM firmware.

The following table lists the bidirectional PMC multiplexed I/Os (MIOs) and their functions used in the eMMC1 boot mode setup.

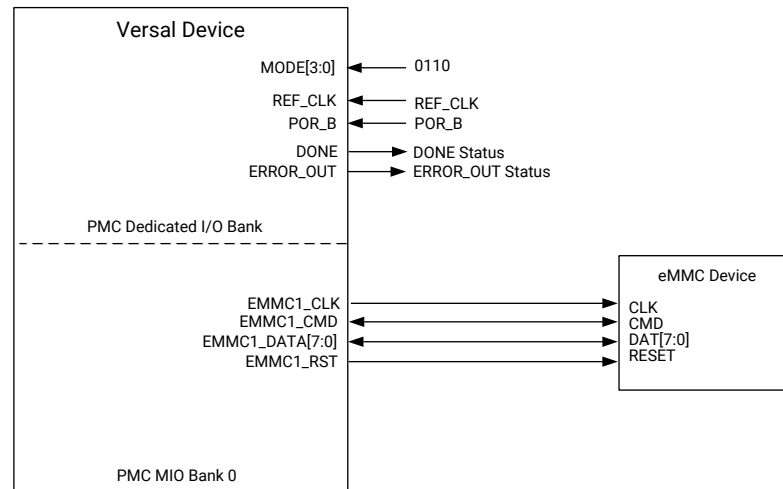
Table 31: eMMC1 Boot Mode Signals

PMC MIO Pin	Signal Name	Description
0	EMMC1_CLK	eMMC1 clock output
3	EMMC1_CMD	eMMC1 command
4	EMMC1_DATA[0]	Data pin used in eMMC1 boot mode (1-bit, 4-bit, 8-bit)
5	EMMC1_DATA[1]	Data pin used in eMMC1 boot mode (4-bit, 8-bit)
6	EMMC1_DATA[2]	Data pin used in eMMC1 boot mode (4-bit, 8-bit)
7	EMMC1_DATA[3]	Data pin used in eMMC1 boot mode (4-bit, 8-bit)
8	EMMC1_DATA[4]	Data pin used in eMMC1 boot mode (8-bit)
9	EMMC1_DATA[5]	Data pin used in eMMC1 boot mode (8-bit)
10	EMMC1_DATA[6]	Data pin used in eMMC1 boot mode (8-bit)
11	EMMC1_DATA[7]	Data pin used in eMMC1 boot mode (8-bit)
12	EMMC1_RST	Reset output that resets the eMMC flash

eMMC1 Interface

The following figure shows an example setup for eMMC1 boot mode from a single flash device.

Figure 29: eMMC1 Interface Example



X22630-102020

SelectMAP Boot Mode

The SelectMAP boot mode supports a 8-bit, 16-bit, or 32-bit bidirectional data bus interface. This mode can boot and configure a single Versal ACAP or multiple Versal ACAPs. In this mode, an external processor or controller drives the SelectMAP data, clock, and control signals (read/write and chip select). The external processor also needs to monitor the BUSY signal for SelectMAP boot initiation and flow control.

When the SelectMap boot mode is detected during system start-up, the path to receive data from the SelectMAP interface is configured. The PMC controllers and blocks used to enable the path for SelectMAP are highlighted in [PMC Architecture](#).

The RCU is responsible for enabling the path for the SelectMAP boot interface. The RCU configures the slave boot interface, the secure stream switch (SSS), and dedicates the PMC DMA1 to the slave boot interface (SBI). The PMC MIO SelectMAP 32-bit pins are enabled and are placed into input mode. After the RCU configures the SBI control register the BUSY signal is deasserted. After power-up, when BUSY is deasserted, this indicates that the Versal ACAP is ready to receive data from the SelectMAP interface host.

Because the BUSY signal can be asserted at any stage during boot and configuration, this signal must be monitored to ensure the interface is ready to accept data. When the BUSY signal is asserted it indicates the chip select must be deasserted to stop the data loading within 24 clock (SMAP_CLK) cycles or the SBI FIFO (8 KB) buffer used for SelectMAP data processing overflows.

For SelectMAP, the I/O configuration default is a weak pull-up. When connecting to SelectMAP data bus width 8-bit, 16-bit, or 32-bit only the selected bus width data signals are used for boot and configuration.

In the SelectMAP slave boot mode, the BootROM waits an extended period, ~30 minutes, to receive valid data before it times out. It is recommended to have the JTAG boot mode pin setting on the board to avoid the extended wait time in early design phases and for debug. When a PDI generated with the SelectMAP boot mode setting is used in the JTAG boot mode, and intended to be programmed outside of the Vivado Hardware Manager, the PDI boot header SelectMAP bus width (first 16 bytes) needs to be skipped.

SelectMAP Pattern and Bit Order

The Versal ACAP programmable device image (PDI) boot header is read by the RCU BootROM to determine the SelectMAP bus width. The first 16 bytes in the PDI boot header determine the SelectMAP bus width.

The SelectMAP bus detection PDI pattern options include:

8-bit bus width	00	00	00	DD	11	22	33	44	55	66	77	88	99	AA	BB	CC
16-bit bus width	00	00	DD	00	22	11	44	33	66	55	88	77	AA	99	CC	BB
32-bit bus width	DD	00	00	00	44	33	22	11	88	77	66	55	CC	BB	AA	99

SelectMAP Bit Order

The SelectMAP interface is typically driven by a user application residing on a microprocessor, microcontroller, or another FPGA or SoC. For these applications, it is important to understand how the data ordering in the programmable device image corresponds to the data ordering expected by the Versal ACAP interface. In SelectMAP 8-bit mode, the programmable device image data is loaded at one byte per clock with the bits of each byte presented to the SelectMAP pins. The following table shows how to load the SelectMAP PDI data bits onto the SelectMAP data pins.

Table 32: SelectMAP Bit Order

SelectMAP Signal Names (SMAP_IO[#])	31	30	29	28	27	26	25	24	23	22	21	20	19	18	17	16	15	14	13	12	11	10	9	8	7	6	5	4	3	2	1	0
32-bit PDI data order	7	6	5	4	3	2	1	0	15	14	13	12	11	10	9	8	23	22	21	20	19	18	17	16	31	30	29	28	27	26	25	24
16-bit PDI data order																7	6	5	4	3	2	1	0	15	14	13	12	11	10	9	8	

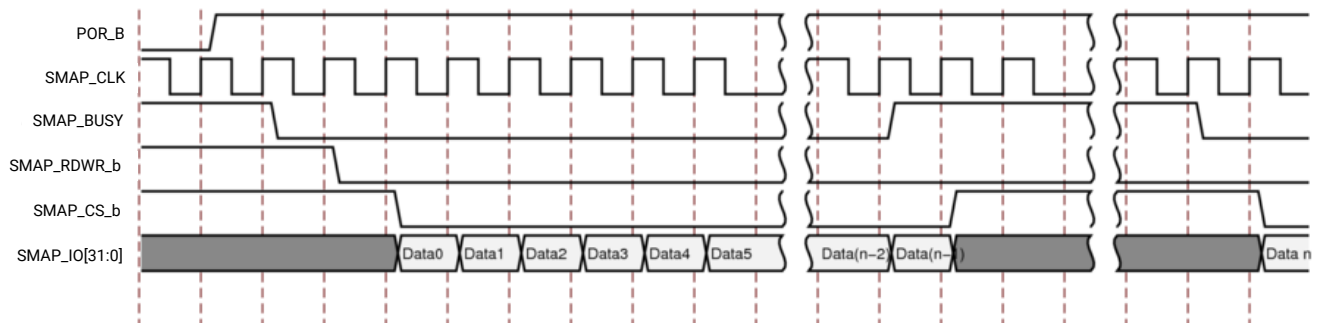
Table 32: SelectMAP Bit Order (cont'd)

SelectMAP Signal Names (SMAP_IO[#])	31	30	29	28	27	26	25	24	23	22	21	20	19	18	17	16	15	14	13	12	11	10	9	8	7	6	5	4	3	2	1	0
8-bit PDI data order																									7	6	5	4	3	2	1	0

SelectMAP Sequence

The SelectMAP interface allows an external processor to load the boot and configuration data. The functional waveform in this section shows an example of the SelectMAP interface data, clock, and control signals operation to load data into the Versal ACAPs. The waveform shows an example BUSY response. The BUSY response time can vary but must be within 24 SMAP_CLK cycles. BUSY is clocked by the SMAP_CLK and does not transition back to low if the SMAP_CLK is stopped.

Figure 30: SelectMAP Data Loading



X22568-102020

SelectMAP Register Boot Settings

The BootROM sets configuration registers that apply to each boot mode. For SelectMAP boot mode, the BootROM sets the registers to the initial values shown in the following table.

Table 33: SelectMAP Register Boot Settings

Register Name	Base Address	Register Value	Description
RST_SBI	0xF126_0324	0x0000_0000	SBI reset not asserted
SBI_MODE	0xF122_0000	0x0000_0000	Device configuration mode and JTAG does not pass through SBI
SBI_CTRL	0xF122_0004	0x0000_0021	Enable SBI, SelectMAP data transfer

Table 33: SelectMAP Register Boot Settings (cont'd)

Register Name	Base Address	Register Value	Description
PMCPDLL_CTRL	0xF126_0040	0x0002_4800	PMC PLL (PPLL) setup uses reset defaults (REF_CLK multiplied by 72 (FBDIV) and divided by 4 (CLKOUTDIV))

SelectMAP Signals

In SelectMAP boot mode, MIO[14:25, 28:51] are configured by the BootROM to use:

- Default drive strength (8 mA)
- Default slew rate (slow)
- Default weak pull-ups (enabled)
- Enables the Schmitt trigger
- Disables the 3-state override

The remaining MIOs are not set by the BootROM and remain at their default state. If a secure lockdown occurs during boot, the BootROM sets the PMC_GLOBAL TRISTATE_OVERRIDE register to force all I/Os into a tristate mode. This register is then reserved for use by the PLM firmware.

The following table lists the bidirectional PMC multiplexed I/Os (MIOs) and their functions used in the SelectMAP boot mode setup.

Table 34: SelectMAP Boot Mode Signals

PMC_MIO Pin	Signal Name	Description
18	SMAP_CLK	SelectMAP clock output
14	SMAP_IO[0]	Data pin used in SelectMAP boot mode (8-bit, 16-bit, 32-bit)
15	SMAP_IO[1]	Data pin used in SelectMAP boot mode (8-bit, 16-bit, 32-bit)
16	SMAP_IO[2]	Data pin used in SelectMAP boot mode (8-bit, 16-bit, 32-bit)
17	SMAP_IO[3]	Data pin used in SelectMAP boot mode (8-bit, 16-bit, 32-bit)
22	SMAP_IO[4]	Data pin used in SelectMAP boot mode (8-bit, 16-bit, 32-bit)
23	SMAP_IO[5]	Data pin used in SelectMAP boot mode (8-bit, 16-bit, 32-bit)
24	SMAP_IO[6]	Data pin used in SelectMAP boot mode (8-bit, 16-bit, 32-bit)
25	SMAP_IO[7]	Data pin used in SelectMAP boot mode (8-bit, 16-bit, 32-bit)
28	SMAP_IO[8]	Data pin used in SelectMAP boot mode (16-bit, 32-bit)
29	SMAP_IO[9]	Data pin used in SelectMAP boot mode (16-bit, 32-bit)
30	SMAP_IO[10]	Data pin used in SelectMAP boot mode (16-bit, 32-bit)
31	SMAP_IO[11]	Data pin used in SelectMAP boot mode (16-bit, 32-bit)
32	SMAP_IO[12]	Data pin used in SelectMAP boot mode (16-bit, 32-bit)

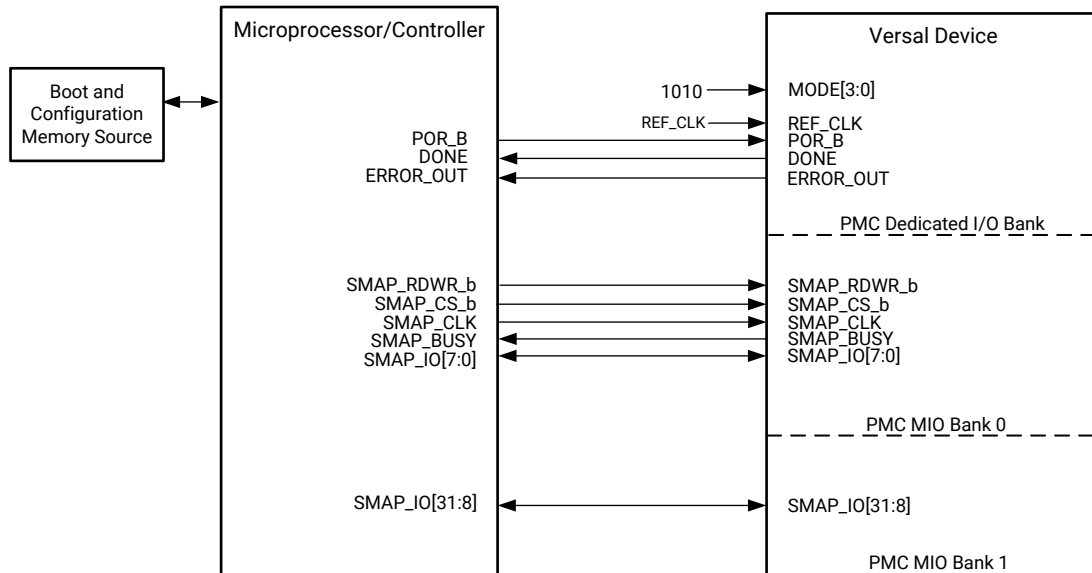
Table 34: SelectMAP Boot Mode Signals (cont'd)

PMC_MIO Pin	Signal Name	Description
33	SMAP_IO[13]	Data pin used in SelectMAP boot mode (16-bit, 32-bit)
34	SMAP_IO[14]	Data pin used in SelectMAP boot mode (16-bit, 32-bit)
35	SMAP_IO[15]	Data pin used in SelectMAP boot mode (16-bit, 32-bit)
36	SMAP_IO[16]	Data pin used in SelectMAP boot mode (32-bit)
37	SMAP_IO[17]	Data pin used in SelectMAP boot mode (32-bit)
38	SMAP_IO[18]	Data pin used in SelectMAP boot mode (32-bit)
39	SMAP_IO[19]	Data pin used in SelectMAP boot mode (32-bit)
40	SMAP_IO[20]	Data pin used in SelectMAP boot mode (32-bit)
41	SMAP_IO[21]	Data pin used in SelectMAP boot mode (32-bit)
42	SMAP_IO[22]	Data pin used in SelectMAP boot mode (32-bit)
43	SMAP_IO[23]	Data pin used in SelectMAP boot mode (32-bit)
44	SMAP_IO[24]	Data pin used in SelectMAP boot mode (32-bit)
45	SMAP_IO[25]	Data pin used in SelectMAP boot mode (32-bit)
46	SMAP_IO[26]	Data pin used in SelectMAP boot mode (32-bit)
47	SMAP_IO[27]	Data pin used in SelectMAP boot mode (32-bit)
48	SMAP_IO[28]	Data pin used in SelectMAP boot mode (32-bit)
49	SMAP_IO[29]	Data pin used in SelectMAP boot mode (32-bit)
50	SMAP_IO[30]	Data pin used in SelectMAP boot mode (32-bit)
51	SMAP_IO[31]	Data pin used in SelectMAP boot mode (32-bit)
19	SMAP_CS_b	Chip select input enables the SelectMAP bus When CS_b is Low, the SelectMAP interface is enabled When CS_b is High, the SelectMAP interface is disabled
20	SMAP_RDWR_b	Read/Write input that controls whether the data pins are inputs or outputs When RDWR_b is High, data is output or read onto the SelectMAP data bus When RDWR_b is Low, an external controller can write data or boot and configure the device through the SelectMAP data bus interface
21	SMAP_BUSY	Busy output is High when there are 24 clock cycles left before the slave boot interface (SBI) FIFO data buffer overflows

Single Device Interface

The SelectMAP mode single device option uses an external processor or controller to provide the clock, read/write enable, chip select, and data, as well as monitors the busy signal for flow control to boot and configure a Versal ACAP. As shown in the following figure, this high-bandwidth interface spans multiple banks. The PMC MIO bank0 and bank1 must be powered at the same voltage. Performance, bank voltage, and MIO usage should be evaluated when selecting the boot mode.

Figure 31: SelectMAP Single Device Interface Example

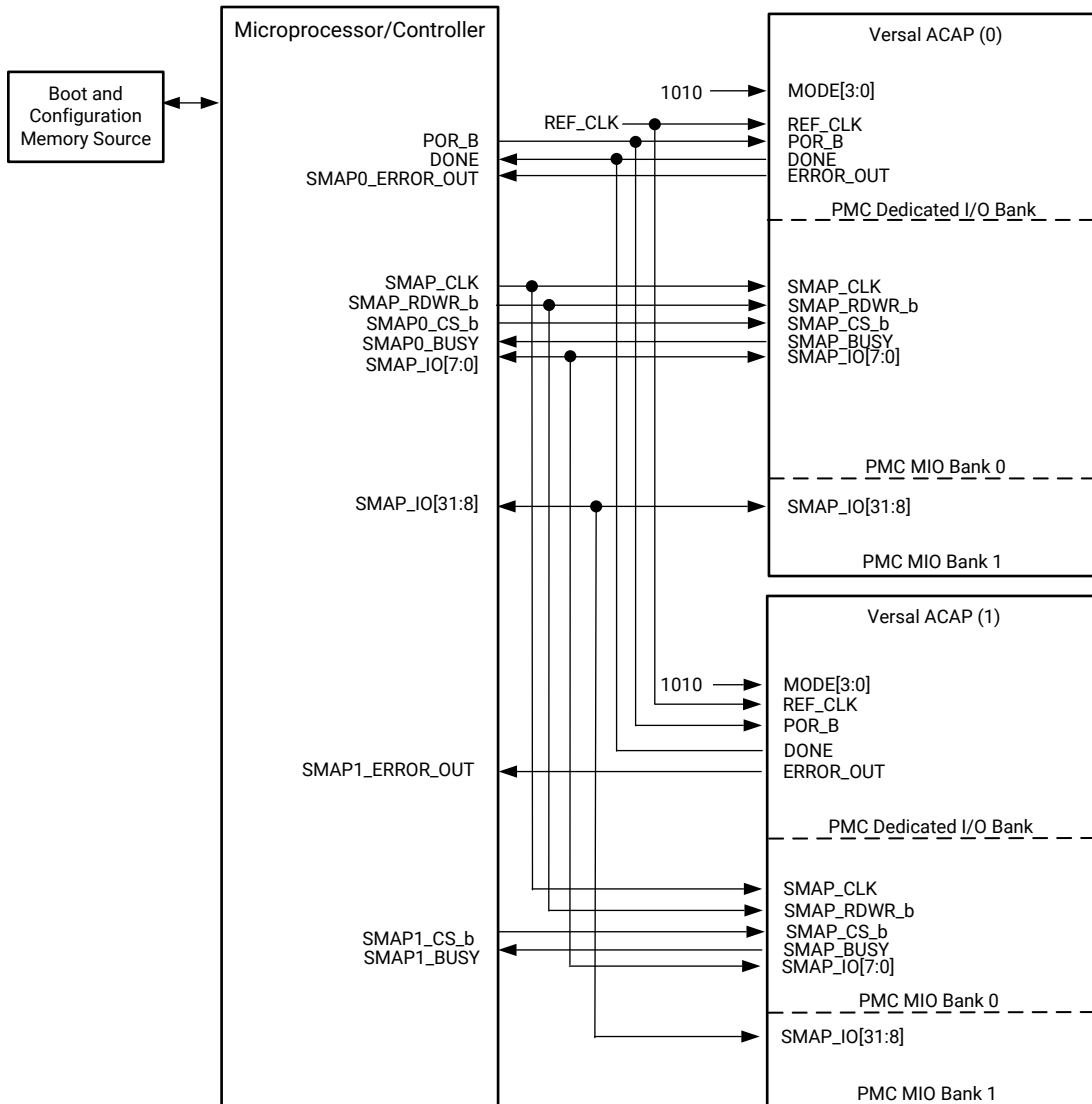


X22428-102020

Multiple Device Interface

The SelectMAP mode multiple device option uses an external processor or controller to provide the clock, read/write enable, data, chip selects, and busy signals for each Versal ACAP device. The separate chip select and busy signals allow for flow control to boot and configure multiple Versal ACAPs with different images. As shown in the following figure, this high-bandwidth multiple device interface spans multiple banks. The PMC MIO bank0 and bank1 on both Versal ACAPs must be powered at the same voltage. Performance, bank voltage, and MIO usage should be evaluated when selecting the boot mode.

Figure 32: SelectMAP Multiple Device Interface Example

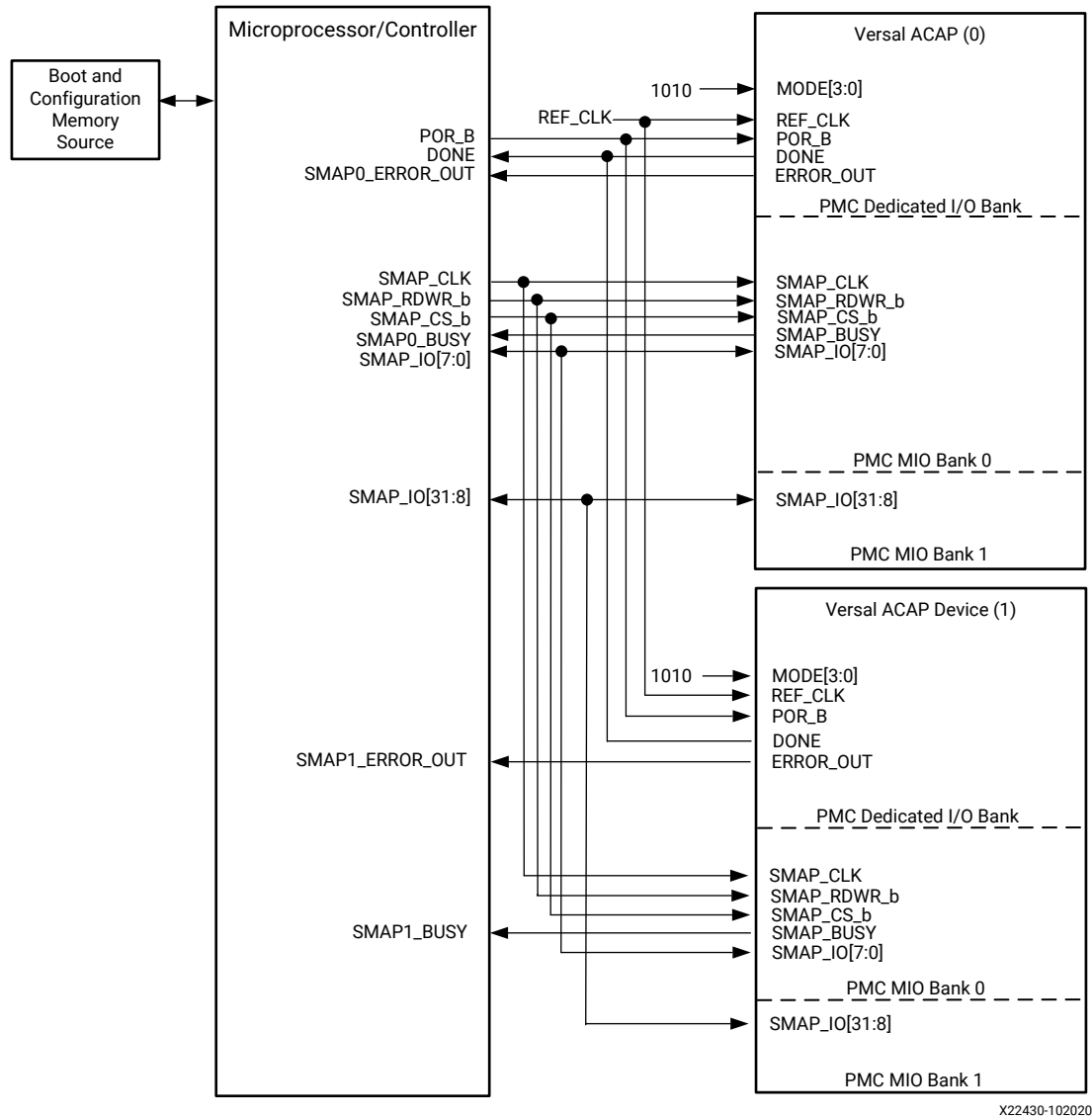


X22623-102020

Ganged Device Interface

In SelectMAP ganged, an external processor or controller provides the clock, read/write enable, chip select, and data, as well as monitors the busy signal for flow control to boot and configure multiple Versal devices with the same image in parallel. As shown in the following figure, this high-bandwidth multiple device interface spans multiple banks. The PMC MIO bank0 and bank1 on both Versal devices must be powered at the same voltage. Performance, bank voltage, and MIO usage should be evaluated when selecting the boot mode.

Figure 33: SelectMAP Ganged Interface Example



Platform Management

The PLM with its libraries support many run-time services. See the *Versal ACAP System Software Developers Guide (UG1304)* for more information on the run-time services. This chapter highlights the hardware features provided to support these example services:

- Functional safety management
- Dynamic Function eXchange (DFX)
- Power management
- Security management
- Soft error mitigation

Functional Safety Management

The functional safety of a system or part of a system refers to the correct operation of the system in response to its input, which includes management of errors, hardware failure, and changes to operating conditions. The two types of faults that can cause a system failure and result in a violation of the functional safety goals are systematic faults and random faults.

Systematic faults arise from errors in the development or manufacturing processes. When defects appear in hardware or software, they are systematic faults. Some of the causes of systematic faults are a failure to verify intended functionality, manufacturing test escapes, or operating a device outside of a specified range. The mitigation of systematic faults is achieved by robust best practices and processes defined by safety standards.

Random faults are inherent due to silicon aging, environmental conditions, etc. Safety standards focus on detecting and managing random faults.

This chapter provides an overview of the safety mechanisms implemented in the Versal® ACAP. The features are grouped into these categories:

- Single point fault detection
- Common cause failure detection
- Latent fault detection
- Isolation features

- Additional features

Single Point Fault Detection

The detection of single point faults is supported with these features:

- ECC protection for OCM, PPU RAM, PMC RAM, RPU L1 cache, and TCM memories
 - Address decode error detection
 - Separate RAMs for ECC syndrome and data
 - 4:1 or greater interleaving of memory cells protected by ECC
- Hash validation of RCU ROM contents at every boot
- Lockstep and redundancy covers Cortex-R5F processor
 - Lockstep with physical and temporal diversity
 - Redundant logic in critical control logic including the lockstep checkers
- PPU and RCU controllers are implemented with redundancy
 - MicroBlaze TMR (triple modular redundancy) cores with physical diversity
 - Triple redundant flip-flops for critical control bits such as security state
- XMPU and XPPU protect memory space
- Windowed watchdog timers in LPD and FPD

Common Cause Failure Detection

The detection of common cause faults is supported with these features:

- System monitoring
 - Voltage monitoring
 - Temperature monitoring
 - Clock frequency monitoring
- Error management
 - Error management is handled and implemented within the PPU
 - Errors can be signaled as interrupts and mirrored to the PL
- Monitoring of activation of common cause failures (CCF) by PPU
 - MBIST
 - SCAN

- Reset, power control
- Hang protection
 - Cleanup of outstanding transactions under partial reset
- Aging errors
 - Large on-chip variation (OCV) margin to account for aging effects

Latent Fault Detection

The detection of latent faults is supported with these features:

- All check logic such as XMPU, lockstep, and ECC checkers are checked at boot by LBIST
- All LPD memories can be tested at full-processing speed during boot by MBIST
 - Most of these memories (excluding PPU and RCU RAMs) can be tested on demand during execution
- The functionality and status of TCM, OCM, PPU RAM, RPU lockstep, PPU, XMPU, XPPU, clocks, voltages, and temperatures can be tested and evaluated through the dedicated software test library (STL)

Isolation Features

Power domain isolation is supported with these features:

- LPD supports isolation from the rest of the system
- Flexible reset management
 - Enables use of the controllers for redundant processing
 - Reset management is implemented in the PPU
 - Independent reset for LPD, FPD, PL, and PS only
- Independent power domains
 - PMC, LPD, FPD, and PL
- Built-in AXI timeout on PL master interfaces

Additional Features

The following features provide additional safety support:

- DDR interface supports ECC for 32-bit and 64-bit words
 - Double-error detection

- Single-error correction
- ECC in APU L2-cache
- ECC in L1 data cache memory
- Parity in L1 instruction cache memory
- QOS management
 - QOS controls on masters
 - QOS management in PS AXI
 - QOS management in DDR memory controller
- Leverage of PL for implementation of safety features
 - Provides HFT channel capability
 - Provides error logging
 - PL can remain active if PS is reset due to an error

Dynamic Function eXchange

The Dynamic Function eXchange (DFX) is managed by PLM services running in the PMC. These services control the events needed before, during, and after dynamic reconfiguration of the NPI and CFI resources throughout the device. These events include controlling the isolation of the target region, unloading (and loading) of software drivers (as appropriate for modified applications), delivery of programming images from any secondary boot interface, and image authentication and integrity checking before programming is done. All boot modes can be used for partial device image delivery.

For more information, see the *Vivado Design Suite User Guide: Dynamic Function eXchange (UG909)*.

Power Management

The Versal ACAP includes two dedicated controllers, the platform management controller (PMC) and the PSM controller.

The PMC facilitates the isolation of the power domains outside of the processing system (PS) full-power domain (FPD). The PMC is used for power, error management, and the execution of an optional software test library (STL) for functional safety applications.

The processing system manager (PSM) controller has the hardware interfaces to manage the isolation for the PS FPD. The PSM controller serves as a PMC proxy to the PS power islands. The PSM directly controls the power islands within the PS FPD.

The primary power domains for power management are listed in the following table.

Table 35: Primary Power Domains

Power Domain	Description
PMC power domain	Includes the RCU, PPU, PMC flash controllers, PMC I2C controller, and PMC GPIO controller. This is the power domain for device start-up.
Low-power domain (LPD)	Includes the RPU, PSM, two SPI controllers, two LPD I2C controllers, LPD GPIO controller, UART controller, USB controller, PS gigabit Ethernet MAC, CAN FD controller, LPD SWDT, and CPM5 (device option) with its CPipe and GTYPs.
Full-power domain (FPD)	Includes the APU, SMMU, CCI, and FPD SWDT
Battery power domain (BPD)	Includes the real-time clock (RTC) and the battery-backed RAM (BBRAM)
System power domain (SPD)	Includes the NoC, NPI, DDR controller(s) with its XPiOs, and the HBM (device option)
PL power domain	Includes the programmable logic, PL GTs, AI Engine, and CPM4 (device option) with its XPipe and GTYPs

Power Modes

The modes for power management operation are outlined in this section. To comply with the power domain requirements, there are separate power rails to supply the power for each domain. The following PS power modes can be integrated with various power modes, including but not limited to PL on, PL off, and PL clock gated.

Sleep Modes

To meet the requirements of a very low sleep-power state, the device provides sleep and deep sleep modes. The PMC domain is always on. The PMC can be active during the sleep mode. The low-power domain (LPD) can be on or off in some sleep modes. The RTC or GPIO wake sources are supported for deep sleep. The USB and PS GEM blocks in the low-power domain support wake on USB and wake on LAN for sleep. The following table lists sleep mode examples.

Table 36: Sleep Modes (No APU/RPU Processing)

Power Mode	Description
Deep sleep	LPD is off FPD is off PMC is wake on RTC, GPIO, or USB
LPD_Off_FPD_Off_PMC_Active	LPD is off FPD is off PMC power domain is active and the PMC can be processing
Deep sleep - fast resume	LPD is on but the R5s are off FPD is off PMC is wake on RTC, GPIO, or USB

Table 36: Sleep Modes (No APU/RPU Processing) (cont'd)

Power Mode	Description
Sleep - GigE	LPD is on but the R5s are off FPD is off PMC is wake on GigE (PS GEM)

Low-Power Modes

In the low-power operation mode, the RPU is idle or in wait for an interrupt. With the LPD, integrated blocks on the low-power rail can be powered up in the PS block (RPU, TCM, OCM, and PSM). The PSM assists the PMC for events local to the PS. The LPD includes additional peripherals for low-power operation. The following table lists low-power mode examples.

Table 37: Low-Power Modes (FPD Off, RPU Processing)

Power Mode	Description
R5s_Idle_FPD_Off_DDR_Off	RPU cores are idle FPD is off DDR is off
R5s_Idle_FPD_Off_DDR_Self_Refresh	RPU cores are idle FPD is off DDR is in self-refresh mode to maintain memory
R5s_Idle_FPD_Off	RPU cores are idle FPD is off DDR is on
R5s_Active_FPD_Off	RPU cores are both active FPD is off DDR is on

Full-Power Modes

All domains are powered in the full-power mode. Power dissipation depends on the components that are running and their frequencies. The following table lists full-power mode examples.

Table 38: Full-Power Modes (FPD On, APU/RPU Processing)

Power Mode	Description
Linux boot idle	RPU cores are idle One APU core is off and one is idle
R5s_Idle_1_A72_250MHz	RPU cores are idle One APU core is off and one is running at 250 MHz
R5s_Idle_1_A72_Active	RPU cores are idle One APU core is off and one is active
R5s_Idle_A72s_Active	RPU cores are idle Both APU cores are active

Table 38: Full-Power Modes (FPD On, APU/RPU Processing) (cont'd)

Power Mode	Description
Performance mode - R5s active, A72s active	RPU cores are both active Both APU cores are active

Security Management

The increasing ubiquity of Xilinx devices makes protecting the intellectual property (IP) within them as important as protecting the data processed by the device. As security threats have increased, the range of security threats or potential weaknesses that must be considered to deploy secure products has grown as well. The Versal ACAP provides features to help secure applications. These features include:

- Tamper monitoring and response
- Secure key storage and management
- User access to Xilinx hardware cryptographic accelerators

See [Secure Boot Flow](#) for details on system start-up secure boot flow.

For more information on security features, see *Versal ACAP Security Manual* (UG1508). This manual requires an active NDA to download from the [Design Security Lounge](#).

Tamper Monitoring and Response

Versal ACAPs provide a range of anti-tamper features to help secure applications and manage potential security threats. The Versal ACAP hardware provides features that not only detect security intrusions but also allow a response with selected penalties. This tamper resistance protection needs to be effective during all four phases of the system start-up.

- Phase 1: Pre-boot (PMC hardware, power-up and reset)
- Phase 2: Boot setup (RCU, initialization and boot header processing)
- Phase 3: Load platform (PPU, boot image processing and configuration)
- Phase 4: Post-boot (PPU, platform management and monitoring services)

Sensitive data can include the software and configuration data that sets up the functionality of the device logic, critical data, or parameters that might be included in the boot image (for example, initial memory contents and initial state). It also includes external data that is dynamically transported in and out of the device during the post-boot operation.

The primary function of the RCU post-boot is to monitor the system for tamper events. There are different monitoring functions that can be configured, including:

- System Monitor (SYSMON) triggering limits for voltage and temperature alarms are user-defined and configured.
- RCU can act as a centralized tamper monitor.
- System extensible using MIO to trigger an external tamper event.
- Detection of power supply glitches.
- Detection of activity on debug ports (such as JTAG).

Secure Key Storage and Management

The Versal ACAP AES-GCM cryptographic engine has access to a diverse set of key sources. Non-volatile key sources include eFUSE, BBRAM, and PUF key encryption key (KEK). These keys maintain their values even when the device is powered down. Volatile key sources include a boot header (BH) key, eight user keys, and a key update (KUP) register key.

The device provides a variety of options for securing both boot images and user data. Boot image keys can be stored in BBRAM, eFUSE, or in the boot image itself. These keys can be in plain text (red) or encrypted with the PUF KEK (black).

Table 39: General Key Terms

Key Name	Description
Device	Symmetric key that is stored on the device (eFUSE, BBRAM, boot header)
PPK: Primary public key	Public key for asymmetric authentication, used to authenticate the secondary public key
SPK: Secondary public key	Public key for asymmetric authentication, used to authenticate partitions
AES	Symmetric key used for AES encrypt/decrypt

The following table provides the different key options used by the AES core. The AES key selection values are included in the *Versal ACAP Security Register Reference Manual (AM018)*. This manual requires an active NDA to download from the [Design Security Lounge](#).

Table 40: Key Sources

Key Name	Source	Size (bits)	Description
BBRAM	BBRAM	256	The BBRAM key is used to store an AES key for boot. This key can be protected by the PUF KEK.
BH	Register	256	The BH (boot header) key is stored encrypted inside the programmable device image (PDI) boot header and once decrypted it is stored inside the BH key register.
EFUSE	eFUSE	256	The eFUSE key is used for boot and is stored in the eFUSES. It can be plain text or encrypted with the PUF KEK.
EFUSE_USER (x2)	eFUSE	256, 128	The two eFUSE user keys are key storage available for user run-time keys and stored in eFUSE.

Table 40: Key Sources (cont'd)

Key Name	Source	Size (bits)	Description
Key update register (KUP)	Register	256,128	Key source used when key rolling is employed. The next user defined block of data is stored in the KUP.
PUF KEK	PUF	256	The PUF KEK is a key-encryption key that is generated by the PUF.
USER (x8)	Register	256, 128	Write only registers available for holding user run-time keys. Each register can be individually locked.

Key Selection

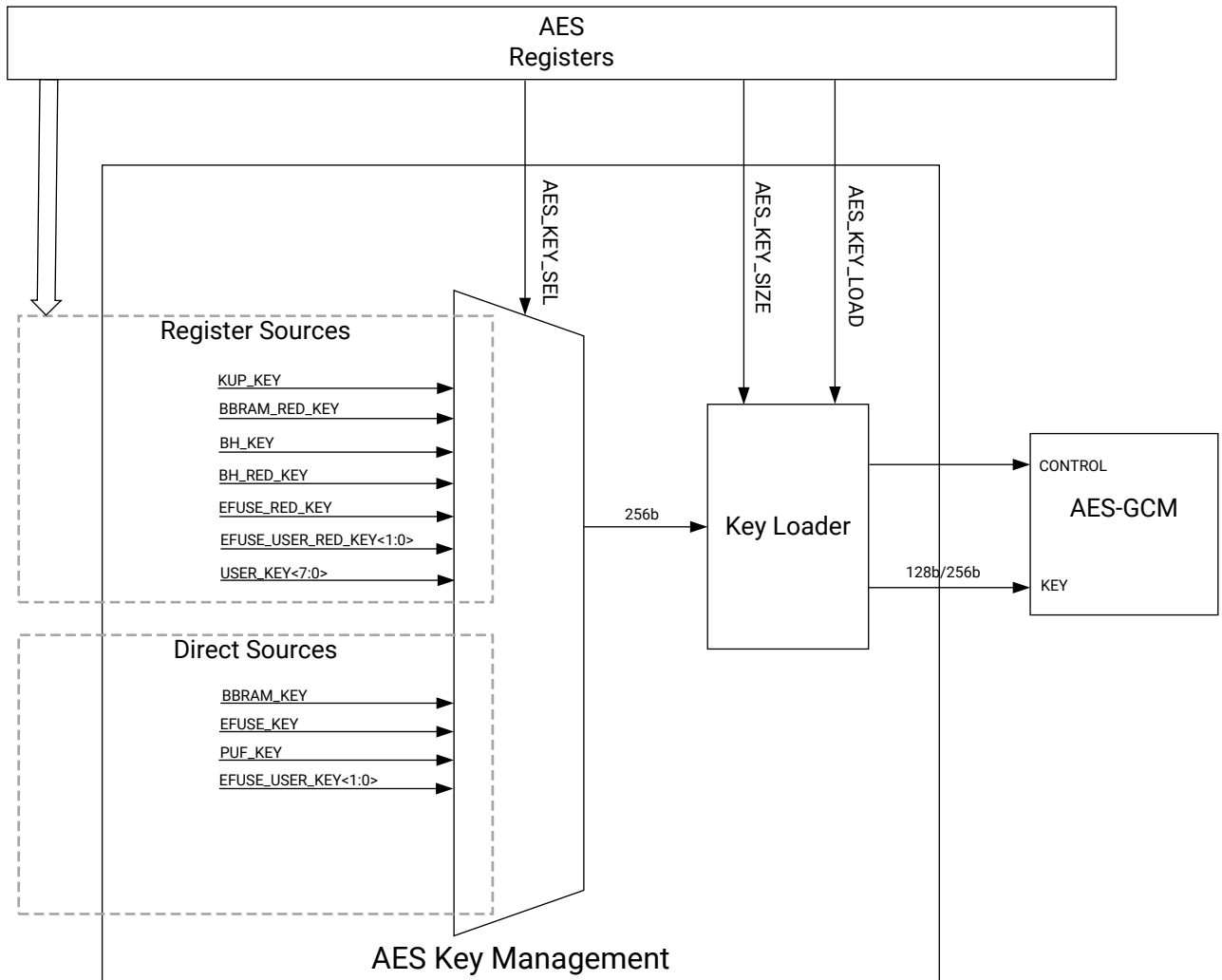
The device key source selection is exclusively performed by the RCU ROM based on the authenticated boot image header. The AES key management block selects the appropriate key that needs to be input to the AES core.

The AES_KEY_SEL register determines which of the keys available is used for the encryption and decryption operation. The AES_KEY_SIZE register determines if the key is 128 bits or 256 bits. The AES_KEY_LOAD register loads the key value into the AES core.

In addition to the BBRAM and eFUSE key storage locations, the Versal ACAP also allows for the device key to be stored externally in the boot flash. This key can be stored in its black form (i.e., encrypted with the PUF KEK).

The AES key selection register details are included in the *Versal ACAP Security Register Reference Manual (AM018)*. This manual requires an active NDA to download from the [Design Security Lounge](#).

Figure 34: AES Key Selection



Battery-Backed RAM Key

The battery-backed RAM (BBRAM) is one of the available options for storing the device AES key. The BBRAM is a static RAM array. When the device has power on the VCCAUX_PMC supply, the BBRAM is powered by the VCCAUX_PMC supply. When the VCCAUX_PMC supply is switched off, the device automatically switches the BBRAM power domain (BPD) using the VCC_BATT pin. The key stored in BBRAM can be stored in plain text form (red) or encrypted form (black). The BBRAM can also be cleared, which is valuable as a tamper response.

The BBRAM key memory space is 288 bits. The BBRAM contains 256 bits of the AES key and 32 bits for general purpose usage. The 256-bit AES key is available for the ROM based on its selection. When the AES key in BBRAM is selected as the AES device key, the AES key management block loads the key value into the AES.

eFUSE Key

The eFUSE array contains a block of 256 eFUSEs that can provide a key to the AES-256 cryptographic engine. This block of eFUSEs has dedicated read and write disables controlled by additional eFUSEs. The eFUSE key can be stored in plain text form (red) or encrypted form (black).

Key Update Register

The key update register is used during boot to support the key rolling feature, where a different AES key must be loaded multiple times. A 256-bit KUP key is stored in the eight AES key update registers.

Boot Header Key

The boot header (BH) key is stored encrypted inside the programmable device image (PDI) boot header and once decrypted, it is stored inside the BH key register.

Storing Keys in Encrypted Form (Black)

The black key storage solution uses a cryptographically strong key encryption key (KEK) generated from a physical unclonable function (PUF) to encrypt the user key. The resulting black key can then be stored either in eFUSEs or as part of the authenticated boot header resident in external memory. The black key storage provides these advantages:

- The user key is the same for all devices. Consequently, the encrypted boot images are the same for all devices that use the same user key.
- The PUF KEK is unique for each device. Consequently, the black key stored with the device is unique for each device.
- The PUF KEK value is only known by the device. There is no readback path and, consequently, cannot be read by the user.

Physically Unclonable Function

The Versal® device contains a physically unclonable function (PUF). The PUF creates a signature (or fingerprint) of each device that is unique to that device. The KEK can only be directly fed into the AES-GCM engine and cannot be read out of the device.

The KEK is 256 bits in length with 256 bits of entropy and is used to encrypt the users red key allowing its storage in black (encrypted) form. The black key can be stored in either eFUSEs, BBRAM, or external storage.

Enhanced from the previous generation, the Versal device PUF also outputs a user accessible unique ID that is cryptographically isolated from the PUF KEK despite using the same entropy source. While unique to each device, it is not considered a “secret” and does not have the same access protections as the KEK.

The silicon manufacturing process includes inherent, random, and uncontrollable variations that cause unique and different characteristics from device to device. The Xilinx devices operate within these variations and device functionality is not affected. PUF includes tiny circuits that exploit these chip-unique process variations to generate unique keys. The type of PUF used to generate the KEK is also an important consideration. The Versal ACAP PUF uses an asymmetric technology that is different from the device key storage technology (e.g., SRAM or eFUSE). This asymmetric technology increases the security level above what can be achieved with a single technology.

The PUF uses approximately 4 Kb of helper data to help the PUF recreate the original KEK value over the guaranteed operating temperature and voltage range over the life of the part. The helper data consists of a syndrome, aux, and chash value. The helper data can either be stored in eFUSEs or in the boot image. The following table lists the PUF helper data.

Table 41: PUF Helper Data

Field	Size (Bits)	Description
Syndrome	4060	These bits aid the PUF in recovering the proper PUF signature given slight variations in the ring oscillators over temperature, voltage, and time
Aux	24	This is a Hamming code that allows the PUF to perform some level of error correction on the PUF signature
Chash	32	This is a hash of the PUF signature that allows the PUF to recognize if the regenerated signature is correct

Access to the PUF is restricted by the RCU. The PUF can be controlled through the RCU registers.

The PUF undergoes a registration process when a new KEK needs to be created. The registration process initializes the PUF so that a KEK is created, and the following options are available.

- The registration software can then use the KEK to encrypt the user key and program the eFUSEs.
- The encrypted user key can be output for inclusion into a boot image. The registration software also programs the helper data into the eFUSEs.
- The helper data can be output for inclusion into a boot image.

For secure boot, the helper data and the encrypted user key must be stored in the same location (i.e., both in eFUSE or both in the boot image). When the device powers on, the RCU examines the boot image header (the boot image header is authenticated when authentication is enabled). The boot image header contains information on whether the PUF is used, where the encrypted key is stored (eFUSE or boot image), and where the helper data is stored (eFUSE or boot image). The RCU then initializes the PUF, loads the helper data, and regenerates the KEK. This process is called regeneration. After the KEK is regenerated, the RCU can use it to decrypt the user key, which is then used to decrypt the rest of the boot image.

The PUF is only supported when using a nominal VCC_PMC of 0.70V. See the *Versal ACAP Security Manual* (UG1508) in the [Security Lounge](#) for detailed information on PUF usage.

Key Management Summary

The following table provides a key management summary for BBRAM, eFUSE, and boot image.

Table 42: Key Management Summary

Features	BBRAM	eFUSE	Boot Image
Programming method	<ul style="list-style-type: none"> Internal via XiINVM software library 	<ul style="list-style-type: none"> Internal via XiINVM software library Internal via XiIPUF software library 	<ul style="list-style-type: none"> Bootgen Bootgen + PUF registration software
Program verification	CRC32 only	CRC32 only	N/A
Key state during storage	Red or black	Red or black	Black
In-use protections	<ul style="list-style-type: none"> Temporary storage in registers, not RAM Transferred in parallel not serial DPA countermeasures 		

User Access to Xilinx Hardware Cryptographic Accelerators

The Versal ACAP flexibility allows for many ways to implement cryptographic functions. One option is to take advantage of the Arm® v8 Cryptography Extensions in the APU MPCore and custom cryptographic accelerators running in the programmable logic (PL). Additionally, the hardened cryptographic accelerators are available for use post-boot.

- [AES-GCM](#)
- [RSA/ECDSA](#)
- [SHA3-384](#)
- [True Random Number Generator](#)

PL Soft Error Mitigation

The Versal ACAP PMC hardware supports the ability to validate the integrity of the device configuration and perform readback of configuration data (in the background) using the Xilinx soft error mitigation library.

The Xilinx Soft Error Mitigation (XilSEM) library is a pre-configured, pre-verified solution to detect and optionally correct soft errors in the configuration memory of Versal ACAPs. A soft error is caused by ionizing radiation and is extremely uncommon in commercial terrestrial operating environments. While a soft error does not damage the device, it carries a small statistical possibility of transiently altering the device behavior.

The XilSEM library does not prevent soft errors; however, it provides a method to better manage the possible system-level effect. Proper management of a soft error can increase reliability and availability, and reduce system maintenance and downtime. In most applications, soft errors can be ignored. In applications where a soft error cannot be ignored, see the *OS and Libraries Document Collection* ([UG643](#)) for additional information about the XilSEM library prior to configuring it for use through the CIPS IP core.

PMC and PS System Error Management

Integrity monitoring logic is in nearly all functional units. When a failure is detected, the functional unit asserts an error signal to the PSM or PMC error accumulation module (EAM). Each system error can be caused by one or more reasons.

The routing of the system errors is shown in the figure in the [Error Accumulator Modules](#) section. The EAM mask registers are used to enable and disable a system error to route the error to the desired location.

There are several types of system errors including:

- Correctable and uncorrectable memory errors (separate error signals)
- Mismatch in the triple module redundant (TMR) MicroBlaze™ processors
- Parity errors and timeout on the interconnect
- XMPU and XPPU access violations

Reference

- [System Errors](#) showing PMC and PSM EAMs and error source tables
- Table of [System Error Accumulator Registers](#)

Platform Hardware Reference

This chapter steps through the high-level boot events, describes the device state for the PLM and PSM firmware, and lists the general purpose resources that are allocated to the boot process and the firmware.

This chapter includes the following sections:

- [Hardware Boot Events](#)
- [Boot Header Register Initialization Feature](#)
- [Device State After RCU BootROM](#)
- [PL-PMC GPI and GPO Port Signals](#)
- [Software Platform Service Requests](#)
- [Hardware Allocated to RCU BootROM Code](#)
- [Hardware Allocated to PLM Firmware](#)
- [BootROM Error Code Table](#)

Hardware Boot Events

The execution of the RCU BootROM is initiated after any of these resets occur:

- External POR reset caused by the POR_B reset pin
- PMC POR reset caused by a write to the [RST_PS](#) [PMC_POR] bit
- PMC system reset caused by a write to the [RST_PS](#) [PMC_SRST] bit

Note: When the PMC is reset, the entire device is reset.

There are a few subtle differences between these reset events as shown in the table in the [Device-Level Resets](#) section.

The system releases the reset on the PPU to start the execution of the PLM firmware after the BootROM code:

- Configures the system for boot

- Accesses the boot device
- Processes the BootROM header file
- Loads the initial PLM firmware into the PPU processor

The PLM firmware loads the processing system manager (PSM) firmware into the PSM processor located in the LPD and then release its reset. When this is done, the firmware boot process completes and, depending on what is defined in the configuration data object (CDO) files, the PLM begins to configure more of the system and loads the real-time and application operating systems into the RPU and APU multicore processors. The CDO files are created by the Vivado® tools and downloaded into the device by the PLM firmware.

Boot Header Register Initialization Feature

The [Boot Header](#) includes the register init segment that can hold the address and data for writing up to 256 registers during the BootROM process. The boot header can include register writes to configure and optimize the system based on the boot mode.

The register address space for register initialization address-data writes is restricted by the BootROM for both non-secure and secure boot modes. Register addresses outside of the allowed address range cause the BootROM to lock down the system and generate BootROM error code 0x400. The allowed register accesses depend on the boot mode and are listed in the following table. These restrictions are enforced by the BootROM. They do not apply when the PLM/user code begins to execute. The BootROM screens the register initialization writes and does not allow certain addresses to be accessed.

Note: For the accessible ranges, there are reserved register locations within a register module that should not be written.

Table 43: BootROM Address Ranges for Register Initialization

	Address Ranges	Accessible
PMC_GPIO		
	0xF102_0000 to 0xF102_0324	Yes
PMC_I2C		
	0xF100_0000 to 0xF100_0030	Yes
QSPI		
	0xF103_0000 to 0xF103_01FC	No: miscellaneous controller registers
	0xF103_0200 to 0xF103_0828	Yes: DMA address and control registers
OSPI		
	0xF101_0000	Yes: controller configuration
	0xF101_0004 to 0xF101_00FC	No: miscellaneous controller registers
	0xF101_0100 to 0xF101_1FF8	Yes: DMA address and control registers, safety check

Table 43: BootROM Address Ranges for Register Initialization (cont'd)

	Address Ranges	Accessible
SD_eMMC0¹		
	0xF104_0000	Yes: Low DMA address register
	0xF104_0004 to 0xF104_0054	No: miscellaneous registers
	0xF104_0058 to 0xF104_005C	Yes: Low DMA address register
	0xF104_0060 to 0xF104_00FC	No: miscellaneous registers
	0xF104_0100 to 0xF104_F0FC	Yes: TAP delay registers
SD_eMMC1¹		
	0xF105_0000	Yes: Low DMA address register
	0xF105_0004 to 0xF105_0054	No: miscellaneous registers
	0xF105_0058 to 0xF105_005C	Yes: Low DMA address register
	0xF105_0060 to 0xF105_00FC	No: miscellaneous registers
	0xF105_0100 to 0xF105_F0FC	Yes: TAP delay registers
CRP		
	0xF126_0000 to 0xF126_0104	No: interrupts, PLLs, routing
	0xF126_0108 to 0xF126_014C	Yes: peripheral clocks
	0xF126_0150	No: safety check
	0xF126_0154 to 0xF126_01FC	Yes, clocks
	0xF126_0200 to 0xF126_05CC	No: boot mode, ClkMon, reset, and PL ref clock control
SBI		
	0xF126_0000 to 0xF122_030C	Yes
PMC_INT_CSR		
	0xF133_0068 only	Yes
PMC_RAM_CSR		
	0xF110_0000 to 0xF110_0FF8	Yes
PMC_IOP_SLCR		
	0xF106_0000 to 0xF106_0828	Yes
PMC_SYSMON_CSR		
	0xF127_0000 to 0xF127_1F94	Yes

Notes:

1. The SD_eMMC registers are described with 8, 16, and 32 bits. However, all registers are implemented and addressed as a 32-bit word.

Device State After RCU BootROM

- [BootROM Error Code Table](#) shows recoverable errors.
- MIO buffer programming states are shown in the register initialization tables in [Boot Modes](#).

- Real-time configuration registers area (RTCA) is for BootROM results reported by the PLM firmware and for interactions with the PLM firmware.
- The boot mode related register writes are listed in several tables; the writes depends on the boot mode. There are tables in the following sections:
 - [JTAG Boot Mode](#)
 - [QSPI Quad SPI Register Boot Settings](#)
 - [SD SD Register Boot Settings](#)
 - [eMMC eMMC1 Register Boot Settings](#)
 - [OSPI Octal SPI Register Boot Settings](#)
 - Select Map [SelectMAP Register Boot Settings](#)

The state of the device is also documented in the *Versal ACAP System Software Developers Guide* ([UG1304](#)) in the PLM Boot and Configuration section.

PL-PMC GPI and GPO Port Signals

The PMC includes 32 general-purpose input signals from the PL and 32 general-purpose output signals to the PL. The input signals can be unmasked to generate an interrupt to the PPU processor running the PLM firmware. The state of the input signals can be read using the interrupt status register with or without the need to enable interrupts.

GPI Signals

The 32 GPI signals are routed from the PL fabric to the interrupt status register. An active input signal is latched into the sticky [PL_PMC_GPI_ISR](#) status register. Additional registers to mask this input include registers in the PMC_GLOBAL register module at base address 0xF111_0000:

- Mask register: PL_PMC_GPI_IMR at offset 0x0914, read-only
- Enable register: PL_PMC_GPI_IER at offset 0x0918, read-only
- Disable register: PL_PMC_GPI_IDR at offset 0x091C, read-only
- Trigger register: PL_PMC_GPI_ITR at offset 0x0920, read-only

GPO Signals

The 32 GPO signals routed from the PMC to the PL fabric is driven High and Low by PLM firmware using the PMC_GLOBAL [PMC_PL_GPO](#) register.

Software Platform Service Requests

System software running in the RPU, APU, or a PL-instantiated MicroBlaze™ processor can request platform services that are performed by the platform loader and manager (PLM) firmware and the processing system manager (PSM) firmware. The PMC PPU processor runs the PLM firmware. The initial PLM firmware is loaded during the hardware boot process by the RCU. The PLM firmware then loads the PSM firmware.

To request platform management services, the system software writes to the PMC and PSM global registers to generate interrupts to the PLM and PSM firmware. The PLM firmware can provide several services and can send an inter-processor interrupt (IPI) to the PSM firmware to manage PS-based services including power domain and island control, functional isolation, and sleep/wake events. For example, the PSM firmware can be used to quiescent the AXI and NoC interconnects prior to powering down a processor, a memory, or a complete power domain. After the PSM firmware commands the interconnect components to quiescent, the PSM receives an acknowledgment interrupt from the isolation control blocks.

There are several types of platform service requests:

- Major subsystem power up and down in [Power and Isolation Requests](#)
- Subsystem and controller resets in [Reset Service Requests](#)
- Test and debug [CoreSight Wake-Up Requests](#)
- PL reconfiguration in [Dynamic Function eXchange \(DFX\)](#) section

The PLM and PSM firmware needs to analyze the system state and take action on the request. If the request can be granted, it accesses local and other registers to satisfy the request. If the request cannot be granted or there is an issue, it needs to communicate back to the requester. This can be done in several ways including clearing the status bit, using an established IPI channel, or other means.

Power and Isolation Requests

The power-up, power-down, and isolation service requests for the major subsystems are triggered by setting bits in the PPU global register set. The PLM firmware receives an interrupt request unless the interrupt is masked. The PLM manages the service request interrupts with status and mask registers.

Three power request types are as follows:

- Power up: [REQ_PWRUP_TRIG](#)
- Power down: [REQ_PWRDWN_TRIG](#)
- Isolation: [REQ_ISO_TRIG](#)

For three power domains:

- LPD
- SPD (includes NoC and DDRMC)
- PL

Reset Service Requests

Software can write to the PMC and PSM global registers to request a reset of a block in the PMC, LPD, or FPD. The reset service request registers are listed in the following table.

Table 44: Reset Service Request Registers

Register Name	Access Type	Description	Notes
PMC Global Reset Service Requests			
PMC_GLOBAL REQ_SWRST_TRIG	W	Requests for: PS only, LPD (includes FPD), FPD, PLPS reset service requests	Handled by PLM firmware
PSM Global Reset Service Requests			
PSM_GLOBAL REQ_SWRST_TRIG	W	PS reset service requests; requests for power up/down, isolation, software reset, wake-up and power control: APU 0, APU 1, MPCore, L2 cache, RPU, GEM 0, GEM 1, USB 2.0, IOP, PS only, LPD, FPD	Handled by PSM firmware

CoreSight Wake-Up Requests

The CoreSight wake-up request is made by accessing the [REQ_WAKEUP_TRIG](#) register.

- Bit [0] for Arm GPR in LPD
- Bit [0] for Arm GPR in CPM

Hardware Allocated to RCU BootROM Code

Software reserves use of system resources and functionality, including:

- RCU BootROM code
- PLM firmware running in the PPU processor

- PSM firmware running in the PSM
- System software running in the RPU processors

RCU Allocated Registers

The following registers are allocated for use by the RCU BootROM code.

- [PMC_BOOT_ERR](#) generated device boot

Hardware Allocated to PLM Firmware

The PLM firmware is allocated the following hardware.

- [PLM Allocated Functionality](#)
- [PLM Allocated Memory](#)
- [PLM Allocated Registers](#)

PLM Allocated Functionality

The following general purpose functionality is used by the PLM firmware.

- PMC_GPIO12 is used as an output to reset the OSPI device when it is a boot device
- GPIO EMIO outputs are used to send resets to the PL

PLM Allocated Memory

The following memory locations are allocated for use by the PLM firmware.

- All of the PPU RAM is dedicated to the PLM firmware
- Real-time configuration area (RTCA) is located in PMC RAM, see the [PLM_RTCA](#) register module

PLM Allocated Registers

The following registers are allocated to the PMC firmware:

- [PMC_FW_ERR](#) errors during PLM execution
- [PMC_GSW_ERR](#) general software service errors from PLM
- [GLOBAL_GEN_STORAGE0](#)

- [GLOBAL_GEN_STORAGE1](#)
- [GLOBAL_GEN_STORAGE2](#)
- [GLOBAL_GEN_STORAGE4](#)
- [PERS_GLOB_GEN_STORAGE0](#) for XilPM functions
- [PERS_GLOB_GEN_STORAGE1](#)
- [PERS_GLOB_GEN_STORAGE2](#) for XilPM functions

BootROM Error Code Table

The BootROM generates error codes when it boots the device in response to a reset and configures the system. The BootROM begins the hardware boot to access the boot device. As the BootROM code executes, it might detect errors and generate error codes.

The RCU detects uncorrectable errors during the hardware boot phase and during system monitoring. Each error is assigned a 12-bit BootROM error code as listed in the following table. In some cases, multiple errors are grouped to the same error code. These non-fatal errors allow the BootROM to continue execution. The first and last BootROM error codes are saved and accessible to software and the JTAG interface.

The BootROM first error code is written to:

- JTAG error status register, `ERROR_STATUS` [147:136], and
- `PMC_GLOBAL` memory-mapped register, [PMC_BOOT_ERR](#) [FEC, 23:12]

The BootROM last error code is written to:

- JTAG error status register, `ERROR_STATUS` [135:124], and
- `PMC_GLOBAL` memory-mapped register, [PMC_BOOT_ERR](#) [LEC, 11:0]

Note: The [LEC] bit field is overwritten when there is more than one error detected after the first error. In this case, the [LEC] is overwritten and always shows the error code that was last detected.

The JTAG error status register is shown in the [ERROR_STATUS Register](#) section.

Note: After the RCU executes the BootROM, it releases the PPU to execute the platform loader and manager (PLM). The PPU PLM firmware also reports error codes. These PLM error codes are listed in the *Versal ACAP System Software Developers Guide* ([UG1304](#)). The BootROM error codes and the PLM error codes have similar numbering, but they are completely separate.

Table 45: BootROM Error Codes

Error Code	Description	Next Step
0x100	eFUSE timeout error	See note 1.
0x101	eFUSE cache parity error	See note 1.
0x104	PMC MBIST timeout error	See note 1.
0x105	PMC MBIST error	See note 1.
0x107	PMC PLL (PPLL) lock failed	System might not be operating with the REF_CLK.
0x108	NoC PLL (NPLL) lock failed	
0x109	NoC scan clear failed	
0x10B	PMC BISR timeout error	See note 1.
0x10C	PMC BISR error	See note 1.
0x10F	Error occurred in BootROM	See note 1.
0x110	Error occurred in RCU ROM	See note 1.
0x111	Error occurred in BootROM	See note 1.
0x114	PMC MBIST error	See note 1.
0x115	PMC BISR error	See note 1.
0x116	VCC_SOC is not available	Check that the VCC_SOC rail voltage level is within the data sheet specification.
0x117	Unable to remove PMC to SoC_NPI isolation	See note 1.
0x118	Unable to remove PMC to SoC isolation	See note 1.
0x11C	Soft reset check, isolation is not removed between PMC and NPI	
0x11D	Soft reset check, NoC power supply is not available	
0x11E	Soft reset check, isolation is not removed between PMC and NoC	
0x203	Secure boot not allowed in non-secure boot modes	If PPK HASH is written, ensure JTAG boot mode is not set.
0x204	Invalid boot mode read from BOOT_MODE_USER register	Ensure the boot mode pins are set properly for the requested boot mode.
0x205	Image search error	See first error. The image search cannot be done for slave boot modes.
0x206	Image/width in QSPI24 boot mode not detected	BootROM unable to initialize QSPI flash. Check boot mode pins, interface connections, and PDI options used.
0x207	Image/width in QSPI32 boot mode not detected	BootROM unable to initialize QSPI flash. Check boot mode pins, interface connections, and PDI options.
0x208	Invalid boot mode selected	Ensure the boot mode pin settings are set to a valid option.
0x209	eMMC FAT file system boot initialization error	BootROM unable to initialize eMMC flash. Possible file system error. Check boot mode pins, interface connections, and PDI options. Ensure the eMMC is properly formatted and partitioned.
0x20A	OSPI initialization error	BootROM unable to initialize OSPI flash. Valid image not found. Check boot mode pins, interface connections, and PDI options.

Table 45: BootROM Error Codes (cont'd)

Error Code	Description	Next Step
0x20B	SelectMAP initialization error	BootROM unable to initialize SelectMAP. Valid image not found. Check boot mode pins, interface connections, and PDI options
0x20C	JTAG initialization failed	BootROM unable to initialize JTAG boot. Valid image not found. Check boot mode pins, interface connections, and PDI options.
0x20E	PPU RAM initialization error, DMA timeout	See note 1.
0x20F	PMC RAM initialization error, DMA timeout	See note 1.
0x211	PMC DMA0 or DMA1 error	See note 1.
0x213	SD0(3.0) FAT file system boot initialization error	BootROM unable to initialize SD flash. Possible file system error.
0x214	SD1(2.0) FAT file system boot initialization error	BootROM unable to initialize SD flash. Possible file system error.
0x215	SD1(3.0) FAT file system boot initialization error	BootROM unable to initialize SD flash. Possible file system error.
0x21D	OSPI is not indicating idle during read operation	
0x21E	Number of bytes to read are zero, which is not valid	
0x21F	OSPI command execution error during read operation	
0x220	OSPI DMA read timeout error	
0x221	SelectMAP boot mode mismatch	Check boot mode used for PDI creation. BootROM is initializing to SelectMAP but SelectMAP boot mode is not set in the register.
0x222	JTAG boot mode mismatch	Check boot mode used for PDI creation. BootROM is initializing to JTAG boot mode but JTAG boot mode is not seen in the register.
0x228	QSPI24 MultiBoot value is beyond the boot limit	Check that the MultiBoot value is within the search limits listed in the Master Boot Mode Search Limit table.
0x229	QSPI32 MultiBoot value is beyond the boot limit	Check that the MultiBoot value is within the search limits listed in the Master Boot Mode Search Limit table.
0x22A	OSPI MultiBoot value is beyond the boot limit	Check that the MultiBoot value is within the search limits listed in the Master Boot Mode Search Limit table.
0x22B	SD initialization error	BootROM unable to initialize SD boot. Valid image not found. Check boot mode pins, interface connections, and PDI options.
0x22C	OSPI configuration error	BootROM unable to initialize OSPI boot. Valid image not found. Check boot mode pins, interface connections, and PDI options.
0x22D	OSPI time out occurred when reading the PDI identification word Check flash connectivity and PDI generation settings.	Check flash connectivity and PDI generation settings.
0x22E	OSPI PDI identification word not matched	
0x22F	OSPI time out occurred when reading the PDI	Check flash connectivity, including the reset and ensure flash is not in a non-responsive state.
0x230	OSPI time out occurred when reading the PDI	Check flash connectivity, including the reset and ensure flash is not in a non-responsive state.

Table 45: BootROM Error Codes (cont'd)

Error Code	Description	Next Step
0x231	OSPI configuration error	BootROM unable to initialize OSPI boot. Valid image not found. Check boot mode pins, interface connections, and PDI options.
0x232	OSPI timeout occurred when reading the PDI identification word	Check flash connectivity and PDI generation settings.
0x233	OSPI PDI identification word not matched	Check flash connectivity and PDI generation settings.
0x234	OSPI timeout occurred when reading the PDI	Check flash connectivity, including the reset and ensure flash is not in a non-responsive state.
0x235	OSPI timeout occurred when reading the PDI	Check flash connectivity, including the reset and ensure flash is not in a non-responsive state.
0x300	Boot header does not have a XLNX signature	Ensure the image identification contains XLNX (0x584c4e58). Check PDI settings. JTAG boot mode test.
0x301	JTAG boot mode cannot be used for asymmetrically authenticated image	Check the PDI image boot mode to ensure a valid secure boot mode is selected.
0x302	JTAG boot mode cannot be used for asymmetrically authenticated image	Check the PDI image boot mode to ensure a valid secure boot mode is selected.
0x303	eFUSE and boot header authentication enabled	Rebuild the image and select only eFUSE authentication or boot header authentication.
0x305	Boot image integrity check when authentication/encryption enabled error	Rebuild the image and select either the integrity check or authentication/encryption.
0x306	Key source provided in boot image is not valid	Rebuild the image with a valid encryption key source.
0x307	SD/eMMC read error	Check flash connectivity, including the reset and ensure flash is not in a non-responsive state.
0x308	eFUSE key not selected for S-HWRoT boot mode	Rebuild the image and select the eFUSE key.
0x309	Boot header source offset is overlapping with boot header	
0x30A	Data partition or total data partition length is crossing the permissible limit of 112 KB	
0x30B	Data partition or total data partition length is crossing the permissible limit of 384 KB	
0x30C	Boot header image identification does not match in SD/eMMC boot mode	Ensure the PDI boot header image identification contains XLNX (0x584c4e58). Check PDI settings. JTAG boot mode test.
0x30D	Image search not supported for slave boot modes	MultiBoot is only supported for QSPI, OSPI, SD, and eMMC. Use a valid boot medium for MultiBoot.
0x30E	No image found in QSPI flash after searching the supported address range	Ensure the PDI is programmed at the correct address in the flash and is within the search limits listed in the Master Boot Mode Search Limit table.
0x30F	No image found in OSPI flash after searching the supported address range	Ensure the PDI is programmed at the correct address in the flash and is within the search limits listed in the Master Boot Mode Search Limit table.
0x310	No image found in SD/eMMC flash after searching the supported address range	Check flash connectivity and PDIEnsure the PDI is programmed at the correct address in the flash and is within the search limits listed in the Master Boot Mode Search Limit table.
0x311	Device read failed during the certificate read	See note 1.

Table 45: BootROM Error Codes (cont'd)

Error Code	Description	Next Step
0x312	Boot not allowed because all PPK revoked through eFUSE	ACAP is no longer bootable.
0x313	Boot not allowed because all SPK revoked through eFUSE	Versal ACAP is no longer bootable.
0x314	Invalid PPK	Rebuild the image using a valid PPK value. ¹
0x315	Boot not allowed because chosen PPK is revoked through eFUSE	Rebuild the image using a non-revoked/valid PPK. ¹
0x316	Invalid SPK	Rebuild the image using a valid SPK value. ¹
0x317	Boot not allowed because chosen SPK is revoked through eFUSE	Rebuild the image using a non-revoked/valid SPK. ¹
0x318	PPK hash does not match any of the eFUSE locations	Rebuild the image using a valid PPK value. ¹
0x319	PLM length error	
0x31A	Boot header authentication error	Rebuild the image and verify a valid PPK value is used. ¹
0x31D	PUF helper from boot header is not allowed when using S-HWRoT mode	Rebuild the image to use the PUF helper data in eFUSEs.
0x31E	DPA counter measure enabled in boot header and disabled through eFUSE mismatch or DPA counter measure disabled in boot header and enabled through eFUSE mismatch.	Rebuild the image with the appropriate DPA counter measures attribute.
0x31F	PMC firmware length is not 4-byte aligned	
0x320	Key source changed from the previous to current image and asymmetric authentication is not enabled	
0x321	Data partition length is not 4-byte aligned	
0x322	Authentication status changed between previous and current image. Boot not allowed	
0x323	Source offset of PLM in image is not 4-byte aligned	
0x324	Data partition load address in PMC RAM is not 16-byte aligned	
0x325	Total data partition length is not 4-byte aligned	
0x326	Total PLM length is not 4-byte aligned	
0x327	Voltage glitch detected	Verify voltage sources to the part/board are stable. Reboot the device and try again.
0x328	PPK hash in eFUSEs is all zeroes	Provision the device with a valid PPK or select another PPK that has been already provisioned.
0x329	Error occurred reading the authentication certificate from flash	See note 1.
0x32A	Timeout occurred during SHA3 calculation for the authentication header	See note 1.
0x32B	Timeout occurred during SHA3 calculation for SPK	See note 1.
0x32C	RSA signature verification failure	See note 1.

Table 45: BootROM Error Codes (cont'd)

Error Code	Description	Next Step
0x32D	Timeout occurred during SHA3 calculation using DMA	See note 1.
0x32E	Hash of BH timeout error	See note 1.
0x32F	Timeout error occurred while calculating SHA3 using DMA	See note 1.
0x330	Hash of PPK timeout error	See note 1.
0x336	OSPI device not showing idle status after completion of read operation	
0x337	OSPI idle check error before triggering DMA operation	
0x338	OSPI idle check error after the DMA operation	
0x339	Image header copy operation error	See note 1.
0x33A	RSA operation timeout error	See note 1.
0x33B	RSA operation status error	See note 1.
0x33C	RSA signature verification failure	Rebuild the image and verify the correct RSA key was used to build the image.
0x33D	RSA signature verification failure	Rebuild the image and verify the correct RSA key was used to build to image.
0x33E	ECDSA key is not valid	Rebuild the image and verify the correct ECDSA key was used to build to image.
0x33F	ECDSA signature verification error	Rebuild the image and verify the correct ECDSA key was used to build to image.
0x340	QSPI DMA read operation timeout error	
0x341	QSPI DMA read operation timeout error	
0x342	QSPI DMA read operation timeout error	
0x343	Data not received from host before timeout	
0x344	SelectMAP abort sequence detected	Check the SelectMAP sequence topic. If the SMAP_RDWR_B is transitioning when CS is asserted, this error is set.
0x345	Boot header PLM length is greater than the total PLM length	
0x346	Total PLM length is less than the authentication certificate size	
0x347	Data partition load address is not within PMC RAM limit	
0x348	Requested data partition cannot fit in PMC RAM	
0x349	Total data partition length is less than data partition length	
0x34A	Total data partition or data partition length mismatch	
0x34B	Source offset of PLM in flash is beyond search limit	
0x34C	Total data partition length does not match data partition length when authentication/encryption/integrity is enabled	

Table 45: BootROM Error Codes (cont'd)

Error Code	Description	Next Step
0x34D	JTAG boot timeout error	Check the JTAG interface connections and ensure the host is driving the interface, see the JTAG Boot Mode topic.
0x34E	DMA timeout error during SHA3 KAT operation	See note 1.
0x34F	Calculation timeout error during SHA3 KAT operation	See note 1.
0x350	KAT error during SHA3 operation	See note 1.
0x351	Key validation failed during KAT operation	See note 1.
0x352	KAT error during ECDSA operation	See note 1.
0x353	KAT error during RSA operation	See note 1.
0x354	HASH mismatch during RSA KAT operation	See note 1.
0x35D	RSA Authentication error	Rebuild the image and verify the RSA key
0x35E	RSA authentication error	Rebuild the image and verify the RSA key
0x35F	RSA authentication error	Rebuild the image and verify the RSA key
0x360	ECDSA authentication error	Rebuild the image and verify the ECDSA key
0x361	ECDSA authentication error	Rebuild the image and verify the ECDSA key
0x362	ECDSA authentication error	Rebuild the image and verify the ECDSA key
0x363	ECDSA authentication error	Rebuild the image and verify the ECDSA key
0x400	Invalid address for register initialization	
0x401	Device read error after register initialization	
0x402	Boot header does not match original after register initialization	
0x403	Register initialization disabled through eFUSE	
0x504	Boot image integrity error	See note 1.
0x505	Block size to be decrypted is not 128-bit aligned	
0x506	Timeout error occurred before AES engine key load completed	See note 1.
0x507	Timeout error occurred during AES operation completed	See note 1.
0x508	DMA done not asserted after pushing the IV to AES engine with in timeout	See note 1.
0x509	DMA done not asserted after pushing the data to AES engine with in timeout	See note 1.
0x50A	DMA done not asserted after pushing the secure header to AES engine with in timeout	See note 1.
0x50B	DMA done not asserted after pushing the GCM tag to AES engine with in timeout	See note 1.
0x50C	DMA done not asserted after pushing the KEK to AES engine with in timeout	See note 1.
0x50D	Decrypted length does not match total image length specified in the boot header	Rebuild the image and try booting again. ¹
0x50E	Total decrypted length is greater than image size specified in the boot header	Rebuild the image and try booting again. ¹

Table 45: BootROM Error Codes (cont'd)

Error Code	Description	Next Step
0x50F	GCM tag does not match for PLM decryption operation	Rebuild the image and try booting again. ¹
0x510	GCM tag does not match for data partition decryption operation	Rebuild the image and try booting again. ¹
0x511	Invalid key source	Rebuild the image and verify a valid key source is being used.
0x512	Invalid PUF command	See note 1.
0x513	Voltage glitch detected	Verify voltage to the device is stable.
0x514	Voltage glitch detected	Verify voltage to the device is stable.
0x515	PLM copy error occurred during boot image integrity check	See note 1.
0x516	PLM copy error occurred during boot image integrity check	See note 1.
0x517	PLM copy error occurred because asymmetric authentication is enabled	See note 1.
0x518	PLM copy error occurred because S-HWRoT or non-secure boot set	See note 1.
0x519	Data partition copy error occurred during boot image integrity check	See note 1.
0x51A	Data partition copy error occurred because asymmetric authentication enabled	See note 1.
0x51B	Data partition copy error occurred because S-HWRoT/non-secure boot set	See note 1.
0x51C	Timeout error occurred during SHA3	See note 1.
0x51D	Timeout error occurred during SHA3	See note 1.
0x51E	Timeout error occurred during SHA3	See note 1.
0x51F	Timeout error occurred during SHA3	See note 1.
0x520	Timeout error occurred during SHA3	See note 1.
0x521	Timeout error occurred during SHA3	See note 1.
0x522	Timeout error occurred during SHA3	See note 1.
0x523	Timeout error occurred during SHA3	See note 1.
0x524	Timeout error occurred during SHA3	See note 1.
0x529	AES engine key or KUP key clearing error	See note 1.
0x52A	PUF key clear error	See note 1.
0x52B	Key load KAT error	See note 1.
0x52C	IV load KAT error	See note 1.
0x52D	Data load KAT error	See note 1.
0x52E	GCM tag load KAT error	See note 1.
0x52F	AES timeout KAT error	See note 1.
0x530	KAT GCM tag does not match	See note 1.
0x531	KAT decrypted data does not match original data	See note 1.

Table 45: BootROM Error Codes (cont'd)

Error Code	Description	Next Step
0x532	Key load error for counter measure enabled KAT	See note 1.
0x533	DMA timeout error for counter measure enabled KAT	See note 1.
0x534	AES timeout error for counter measure enabled KAT	See note 1.
0x53C	KEK load to AES engine error	See note 1.
0x53D	KEK IV load error	See note 1.
0x53E	Red key load from decrypted KEK error	See note 1.
0x53F	AES DPA counter measure KAT failed	See note 1.
0x540	AES DPA counter measure KAT failed	See note 1.
0x541	AES DPA counter measure KAT failed	See note 1.
0x542	AES DPA counter measure KAT failed	See note 1.
0x543	AES DPA counter measure KAT failed	See note 1.
0x544	S-HWRoT PLM firmware IV mismatch	Rebuild the image using the correct IV value programmed in eFUSES.
0x545	S-HWRoT PMC CDO IV mismatch	Rebuild the image using the correct IV value programmed in eFUSES.
0x600	Voltage glitch detected	Verify the voltage to the device/part is within specification.
0x700	Error occurred with PUF disable	See note 1.
0x701	Error occurred with PUF regeneration disable	See note 1.
0x707	Timeout occurred before PUF word ready asserted	See note 1.
0x708	Timeout occurred before PUF key ready asserted	See note 1.
0x709	Read word not asserted by PUF during regeneration	See note 1.
0x70A	Timeout for PUF occurred before the key was ready	See note 1.
0x70B	Key not converged during regeneration	See note 1.
0x70C	PUF regeneration error	See note 1.
0x70D	PUF regeneration error	See note 1.
0x70E	Helper data in eFUSE is not valid so regeneration is not possible	See note 1.
0x710	Error occurred during PUF zeroization	See note 1.
0x711	PUF interrupt command is invalid	See note 1.
0x712	PUF interrupt NOOP command is not supported	See note 1.
0x713	PUF overflow observed during registration	See note 1.
0x722	DMA operation not completed before SHA3 calculation time	See note 1.
0x723	Timeout error occurred before SHA3 operation completed	See note 1.

Table 45: BootROM Error Codes (cont'd)

Error Code	Description	Next Step
0x726	BBRAM zeroization failed during tamper processing	See note 1.
0x730	Tamper event detected	Verify device is operating within tamper limits and reboot device.
0x731	BBRAM zeroization failed during tamper processing	See note 1.
0x732	JTAG toggle tamper detected	Verify that no JTAG connections are made to the device and reboot the device.
0x734	Temperature tamper event detected	Verify device is operating within temperature tamper range and reboot device.
0x736	VCC_PSLP LPD voltage tamper event detected	Verify the VCC_PSLP is operating within the tamper limits and reboot device.
0x737	VCC_PSFP FPD voltage tamper event detected	Verify the VCC_PSFP is operating within the tamper limits and reboot device.
0x738	VCC_PMC voltage tamper event detected	Verify the VCC_PMC is operating within the tamper limits and reboot device.
0x739	VCC_SOC SPD voltage tamper event detected	Verify the VCC_SOC is operating within the tamper limits and reboot device.
0x73A	VCCINT PL voltage tamper event detected	Verify the VCCINT is operating within the tamper limits and reboot device.
0x73B	VCCO_IO voltage tamper event detected	Verify the VCCO_IO is operating within the tamper limits and reboot device.
0x73D	Glitch tamper event detected	Verify voltages are within device operating specifications and reboot the device.
0x747	PMC MBIST timeout error	See note 1.
0x748	Error occurred during PMC MBIST	See note 1.
0x749	Error occurred during PMC scan clear	See note 1.
0x74A	NoC scan clear error occurred during secure lock down	See note 1.
0x75A	PL scan clear timeout error	See note 1.
0x75B	Error occurred during PL scan clear	See note 1.
0x75C	VCCINT not detected	Check the VCCINT rail voltage is within the data sheet specification.
0x75D	Isolation error occurred between PMC and PL	
0x75E	Error occurred during PL house-cleaning	
0x75F	VCCINT not detected during PL house-cleaning	Check the VCCINT rail voltage is within the data sheet specification.
0x760	Isolation error between PMC and PL CFRAME occurred during PL house-cleaning	
0x763	Key zeroization error occurred during secure lock down	See note 1.
0x800	SYSMON error	See note 1.

Notes:

1. Verify with a second Versal ACAP or board, if available, to eliminate board setup for these errors. If error persists, contact Xilinx®.

Device Identification

The Versal® ACAP has multiple device identification methods:

- Top package marking
- IDCODE + EXTENDED_IDCODE register value (see the Versal ACAP data sheets listed in [References](#))
- Device DNA register value

Security features such as PUF can also be used to create a unique identifier. For more information on using PUF, see [Security Management](#).

Package Marking

The Versal ACAPs have a top package marking that includes the Versal family name and a 2D barcode for device-level tracking. The 2D barcode information can be accessed several ways including with the [Xilinx web-based tool](#) or the [Xilinx GO](#) mobile application. For more information, see the *Versal ACAP Packaging and Pinouts Architecture Manual (AM013)*.

ID Code Introduction

The Versal ACAP has a 32-bit identification stored in the IDCODE register. The IDCODE is a fixed, vendor-assigned value used to electrically identify the manufacturer. The IDCODE used in conjunction with the EXTENDED_IDCODE can also identify the type of Xilinx device.

The IDCODE register can be read via the JTAG interface or from the AXI interface using the IDCODE register address. When the IDCODE instruction is selected by the JTAG TAP, the IDCODE register is connected between the JTAG TDI and TDO pins, and the value can be shifted out through TDO for examination with tools such as the Vivado design suite. The least significant bit of the IDCODE register is always 1 (based on the JTAG IEEE Std 1149.1).

Table 46: IDCODE Register

Register Type	Register Name	Address	Description
Read only	PMC_JTAG_CSR IDCODE [31:0]	0xF11A_0000	ID code; also see the IDCODE Register section for bit field details

Extended ID Code Introduction

The Versal ACAP has a 32-bit device extended family code that is stored in the EXTENDED_IDCODE register. The EXTENDED_IDCODE vendor-assigned value is used with the ID code to identify a unique Xilinx device.

The extended ID value can be read via the JTAG interface or from the AXI interface. When the EXTENDED_IDCODE instruction is selected by the JTAG TAP, the EXTENDED_IDCODE register is connected between the JTAG TDI and TDO pins, and the value can be shifted out through TDO for examination with tools such as the Vivado design suite.

Software can access the extended ID code by reading the PMC_EFUSE_CACHE [EXTENDED_IDCODE](#) register.

Table 47: EXTENDED_IDCODE Code Register

Register Type	Register Name	Address	Description
Read only	PMC_EFUSE_CACHE EXTENDED_IDCODE bits [27:14]	0xF125_0018	Extended device ID code; also see the EXTENDED_IDCODE Register section

DNA Introduction

The device DNA is a single unique 128-bit factory-programmed identifier for each device. The JTAG TAP instruction, READ_DNA, reads the DNA value through the JTAG interface. The device DNA value can also be read from the AXI interface using the combined value from the DNA_0, DNA_1, DNA_2, and DNA_3 registers. The power-on reset (POR_B) pin must be released before reading the DNA unique device identifier.

Table 48: DNA Registers

Register Type	Register Name	Address (Hex)	Description
128 bit JTAG, read only	DNA	-	Access DNA[127:0] using the READ_DNA instruction; also see DNA Register section for bit field details
32-bit memory mapped, read only	DNA_0	0xF125_0020	DNA 0 register contains DNA bits[31:0]
	DNA_1	0xF125_0024	DNA 1 register contains DNA bits[63:32]
	DNA_2	0xF125_0028	DNA 2 register contains DNA bits[95:64]
	DNA_3	0xF125_002C	DNA 3 register contains DNA bits[127:96]

Address Maps and Programming Interfaces

This section includes a hierarchy of address maps and tables that summarize the transaction destinations, and includes these chapters:

- [Address Maps](#)
- [Register Programming Interfaces](#)

The memory mapped registers are described in the *Versal ACAP Register Reference* ([AM012](#)).

Address Maps

The address maps are divided into three types:

- High-level address map
- PMC and processing system address map
- NoC address map

High-Level Address Map

The high-level address map includes groups of register modules and memory spaces within the entire memory range.

- Versal device 16 TB, 44-bit physical address

4 GB Address Maps

The 4 GB address map can be divided into two sections:

- First 2 GBs for DDR memory
- Second 2 GBs of destinations in the platform management controller (PMC), processing system, and the majority of the CPM register modules, if present

The 4 GB address map includes register modules, local memories, miscellaneous access ports, and small windows in the interfaces directly from the processing system to the programmable logic (PL). This address space also includes destinations in the cache coherent PCIe module (CPM), when present.

There are two 2 GB address tables with the same content. One is organized by address and the other is organized by destination name.

NoC Address Map

The NoC address map includes all of the destinations within the device for access to DDR, and optional hardware including AI Engine, video decoder unit, and many different peripherals.

Types Destinations

The local address maps include a type column that characterizes what is contained within the memory range. The types include:

- **mem:** read/write memory location
- **reg:** register modules listed in the register manual; these use an APB or AXI programming interface
- **local:** the address space is only accessible to a local processor
- **mmmap:** miscellaneous memory mapped destinations that include memory and register modules
- **port:** data write or streaming data interface

Device Options

Not all devices have the destinations listed in the address maps. The options vary by device series and devices within a series.

See the [Integrated Hardware Options](#) section for general descriptions. For a comprehensive list of what options are available in each device, see the Versal ACAP product data sheets listed in [References](#).

The address maps include a column to indicate if the destination is part of an optional feature:

- **Std** means available in every device in the series
- **XRAM** accelerator RAM device option
- **DDRMCMC** DDR memory controller (all devices have at least one DDR memory controller; Std)
- **CPM4** device option
- **CPM5** device option

The options for each device are itemized in the *Versal Architecture and Product Data Sheet: Overview* ([DS950](#)).

Versal Address Maps

- [High-level Address Map](#)
- [4 GB Address Map by Address](#)
- [4 GB Address Map by Name](#)
- [NoC Address Map](#)

Security Access

The information for certain individual registers and full register sets are only available from the Design Security Lounge in the *Versal ACAP Security Register Reference Manual* (AM018) register manual and the *Versal ACAP Security Manual* (UG1508). Access to the [Design Security Lounge](#) requires an active NDA.

In the following two address map tables, there are five register sets with restricted access. These are identified as *controlled under NDA*. The PMC_CACHE registers are *mostly controlled under NDA*. The PMC_EFUSE_CTRL register set is *partially controlled under NDA*.

High-level Address Map

The high-level address map includes groups of register modules and memory spaces for the entire device.

Table 49: Versal ACAP NoC Address Map

Destination	Address Range		Size (KB)	Description
	Start	End		
PMC0_alias	0x001_0000_0000	0x001_07FF_FFFF	128 MB	Alias address to base PMC 0 (HN-D) Note: All four alias regions provide a window into associated local PMC address space 0xF000_0000 to 0xF7FF_FFFF (128 MB).
PMC1_alias	0x001_0800_0000	0x001_0FFF_FFFF	128 MB	Alias address to SSIT PMC 1 (HN-D)
PMC2_alias	0x001_1000_0000	0x001_17FF_FFFF	128 MB	Alias address to SSIT PMC 2 (HN-D)
PMC3_alias	0x001_1800_0000	0x001_1FFF_FFFF	128 MB	Alias address to SSIT PMC 3 (HN-D)
FPD_AXI_PL_high	0x004_0000_0000	0x005_FFFF_FFFF	8 GB	PS FPD-to_PL AXI Interface, High Region (aka PS_TO_PL_0)
PCIe0_region1	0x006_0000_0000	0x007_FFFF_FFFF	8 GB	PCIe Region 1
DDRMC0_region1_mem	0x008_0000_0000	0x00F_FFFF_FFFF	32 GB	DDR Memory Controller 0, Region 1
HBM0	0x040_0000_0000	0x04F_FFFF_FFFF	64 GB	High-bandwidth Memory Controller 0 (HN-F port)
HBM1	0x050_0000_0000	0x05F_FFFF_FFFF	64 GB	High-bandwidth Memory Controller 1 (HN-F port)
HBM2	0x060_0000_0000	0x06F_FFFF_FFFF	64 GB	High-bandwidth Memory Controller 2 (HN-F port)
HBM3	0x070_0000_0000	0x07F_FFFF_FFFF	64 GB	High-bandwidth Memory Controller 3 (HN-F port)
PCIe_region_2	0x080_0000_0000	0x0BF_FFFF_FFFF	256 GB	PCIe Region 2
DDRMC0_region_2_mem	0x0C0_0000_0000	0x0FF_FFFF_FFFF	256 GB	DDR Memory Controller 0, Region 2
DDRMC0_region_3_mem	0x100_0000_0000	0x1B7_7FFF_FFFF	734 GB	DDR Memory Controller 0, Region 3
AI_Engine	0x200_0000_0000	0x200_FFFF_FFFF	4 GB	4 GB region to program AI Engine. 4x1GB, aliased.

Table 49: Versal ACAP NoC Address Map (cont'd)

Destination	Address Range		Size (KB)	Description
	Start	End		
NOC_AXI_PL	0x201_0000_0000	0x3FF_FFFF_FFFF	2044 GB	Note: A CPU access to these regions can be marked as normal or device type and correct ordering is maintained. (aka PL-via NoC)
PS_PL_high	0x400_0000_0000	0x4FF_FFFF_FFFF	1 TB	PS to PL Memory Space (aka PS_TO_PL_1)
DDRMC1_region0_mem	0x500_0000_0000	0x57F_FFFF_FFFF	512 GB	DDR memory controller 1, region 0
DDRMC1_region1_mem	0x580_0000_0000	0x5FF_FFFF_FFFF	512 GB	DDR memory controller 1, region 1
DDRMC2_region0_mem	0x600_0000_0000	0x67F_FFFF_FFFF	512 GB	DDR memory controller 2, region 0
DDRMC2_region1_mem	0x680_0000_0000	0x6FF_FFFF_FFFF	512 GB	DDR memory controller 2, region 1
DDRMC3_region0_mem	0x700_0000_0000	0x77F_FFFF_FFFF	512 GB	DDR memory controller 3, region 0
DDRMC3_region1_mem	0x780_0000_0000	0x7FF_FFFF_FFFF	512 GB	DDR memory controller 3, region 1

4 GB Address Map by Address

The 4 GB address map includes the first 2 GBs of DDR memory and register modules, local memories, miscellaneous access ports, and small windows in the interfaces directly from the PS to the PL. This address space also includes destinations in the cache coherent PCIe module (CPM), when present.

The following table is organized by destination address.

Table 50: Versal ACAP 4 GB Address Map by Address

Destination	Type	Address Range		Size (KB)	Feature	Description
		Start	End			
DDRMC0_region0_mem	mem	0x0000_0000	0x7FFF_FFFF	2 TB	Std	DRAM Memory Controller 0, Region 0 (lower 2GB)
LPD_AXI_PL_mmap	mmap	0x8000_0000	0x9FFF_FFFF	512 MB	Std	PS-to-PL AXI Interface from LPD
FPD_AXI_PL_mmap	mmap	0xA400_0000	0xAFFF_FFFF	192 MB	Std	PS-to-PL AXI Interface from FPD, lower
FPD_AXI_PL_mmap	mmap	0xB000_0000	0xBFFF_FFFF	256 MB	Std	PS-to-PL AXI Interface from FPD, upper
OSPI_mem	mem	0xC000_0000	0xDFFF_FFFF	512 MB	Std	Octal-SPI Linear Mode memory space
CPM4_PCIe0_mem	mem	0xE000_0000	0xEFFF_FFFF	256 MB	CPM4	PCIe Region 0 in CPM4
CPM4_XDMA_CSR	reg	0xE100_0000	0xE100_FFFF	64 KB	CPM4	CPM4 DMA control registers (XDMA)
PMC_LOCAL	reg	0xF004_0000	0xF004_FFFF	64 KB	Std	PMC Local registers

Table 50: Versal ACAP 4 GB Address Map by Address (cont'd)

Destination	Type	Address Range		Size (KB)	Feature	Description
		Start	End			
PMC_PUF	reg	0xF005_0000	0xF005_FFFF	64 KB	Std	PUF control registers
PPU_RAM_INSTR_mem	mem	0xF020_0000	0xF023_FFFF	256 KB	Std	PPU I-cache Addressable
PPU_RAM_DATA_mem	mem	0xF024_0000	0xF025_FFFF	128 KB	Std	PPU D-cache Addressable
PPU_IOMODULE	reg	0xF028_0000	0xF028_0FFF	4 KB	Std	PPU I/O Module registers
PPU_ICACHE_CTRL	reg	0xF028_1000	0xF028_1FFF	4 KB	Std	PPU Instruction Cache ECC control
PPU_DCACHE_CTRL	reg	0xF028_2000	0xF028_2FFF	4 KB	Std	PPU Data Cache ECC control
PPU_TMR_MANAGER	reg	0xF028_3000	0xF028_3FFF	4 KB	Std	PPU Triple Redundancy Manager
PPU_TMR_INJECT	reg	0xF028_4000	0xF028_4FFF	4 KB	Std	PPU Triple Redundancy Error Injection
PPU_TMR_TRACE	reg	0xF030_0000	0xF030_0FFF	4 KB	Std	PPU Trace
PPU_MDM	reg	0xF031_0000	0xF031_7FFF	32 KB	Std	PPU Debug Module control
DBG_PMC_ROM	reg	0xF080_0000	0xF080_FFFF	64 KB	Std	CoreSight PMC ROM
DBG_PMC_GPR	reg	0xF081_0000	0xF081_FFFF	64 KB	Std	CoreSight PMC GPR 1P
DBG_PMC_CTI	reg	0xF08D_0000	0xF08D_FFFF	64 KB	Std	CoreSight PMC Map Trigger and Channel interfaces
DBG_LPD_ROM	reg	0xF090_0000	0xF090_FFFF	64 KB	Std	CoreSight LPD ROM

Table 50: Versal ACAP 4 GB Address Map by Address (cont'd)

Destination	Type	Address Range		Size (KB)	Feature	Description
		Start	End			
DBG_LPD_GPR	reg	0xF091_0000	0xF091_FFFF	64 KB	Std	CoreSight LPD GPR 3P
DBG_LPD_FUN	reg	0xF092_0000	0xF092_FFFF	64 KB	Std	CoreSight LPD Merge Five Trace Streams to ATB
DBG_TSG_RW	reg	0xF099_0000	0xF099_FFFF	64 KB	Std	CoreSight Master Time Stamp with Read/Write
DBG_LPD_CTI	reg	0xF09D_0000	0xF09D_FFFF	64 KB	Std	CoreSight LPD Map Trigger and Channel interfaces
DBG_RPU0_DBG	reg	0xF0A0_0000	0xF0A0_FFFF	64 KB	Std	CoreSight RPU0 Built-in Debug Logic
DBG_RPU0_CTI	reg	0xF0A1_0000	0xF0A1_FFFF	64 KB	Std	CoreSight RPU0 Map Trigger and Channel interfaces
DBG_RPU0_ETM	reg	0xF0A3_0000	0xF0A3_FFFF	64 KB	Std	CoreSight RPU 0 Generate Trace
DBG_RPU1_DBG	reg	0xF0A4_0000	0xF0A4_FFFF	64 KB	Std	CoreSight RPU1 Built-in Debug Logic
DBG_RPU1_CTI	reg	0xF0A5_0000	0xF0A5_FFFF	64 KB	Std	CoreSight RPU1 Map Trigger and Channel interfaces
DBG_RPU1_ETM	reg	0xF0A7_0000	0xF0A7_FFFF	64 KB	Std	CoreSight RPU1 Generate Trace
DBG_FPD_ROM	reg	0xF0B0_0000	0xF0B0_FFFF	64 KB	Std	CoreSight FPD ROM
DBG_FPD_GPR	reg	0xF0B1_0000	0xF0B1_FFFF	64 KB	Std	CoreSight FPD GPR 2P

Table 50: Versal ACAP 4 GB Address Map by Address (cont'd)

Destination	Type	Address Range		Size (KB)	Feature	Description
		Start	End			
DBG_FPD_FUN	reg	0xF0B2_0000	0xF0B2_FFFF	64 KB	Std	CoreSight LPD Merge Six Trace Streams to ATB
DBG_FPD ETF	reg	0xF0B3_0000	0xF0B3_FFFF	64 KB	Std	CoreSight FPD Embedded 32K Trace FIFO
DBG_FPD_REPL	reg	0xF0B4_0000	0xF0B4_FFFF	64 KB	Std	CoreSight Replicates ATB Data Stream
DBG_FPD_ETR	reg	0xF0B5_0000	0xF0B5_FFFF	64 KB	Std	CoreSight FPD Enable Local Trace Buffer
DBG_TPIU	reg	0xF0B6_0000	0xF0B6_FFFF	64 KB	Std	CoreSight Test port interface unit
DBG_STM	reg	0xF0B7_0000	0xF0B7_FFFF	64 KB	Std	CoreSight System Trace Module
DBG_FPD_CTI1B	reg	0xF0BB_0000	0xF0BB_FFFF	64 KB	Std	CoreSight FPD 1B Map Trigger and Channel interfaces
DBG_FPD_CTI1C	reg	0xF0BC_0000	0xF0BC_FFFF	64 KB	Std	CoreSight FPD 1C Map Trigger and Channel interfaces
DBG_FPD_CTI1D	reg	0xF0BD_0000	0xF0BD_FFFF	64 KB	Std	CoreSight FPD 1D Map Trigger and Channel interfaces
DBG_APU_FUN	reg	0xF0C2_0000	0xF0C2_FFFF	64 KB	Std	CoreSight APU Merge Two Trace Streams to ATB
DBG_APU ETF	reg	0xF0C3_0000	0xF0C3_FFFF	64 KB	Std	CoreSight APU Embedded 4K Trace FIFO

Table 50: Versal ACAP 4 GB Address Map by Address (cont'd)

Destination	Type	Address Range		Size (KB)	Feature	Description
		Start	End			
DBG_APU_ELA	reg	0xF0C6_0000	0xF0C6_FFFF	64 KB	Std	CoreSight APU Embedded 128 Logic Analyzer
DBG_APU_CTI	reg	0xF0CA_0000	0xF0CA_FFFF	64 KB	Std	CoreSight APU MPCore Map Trigger and Channel
DBG_APU0_DBG	reg	0xF0D0_0000	0xF0D0_FFFF	64 KB	Std	CoreSight APU0 Built-in Debug Logic
DBG_APU0_CTI	reg	0xF0D1_0000	0xF0D1_FFFF	64 KB	Std	CoreSight APU0 Map Trigger and Channel interfaces
DBG_APU0_PMU	reg	0xF0D2_0000	0xF0D2_FFFF	64 KB	Std	CoreSight APU0 Processor Performance Profile
DBG_APU0_ETM	reg	0xF0D3_0000	0xF0D3_FFFF	64 KB	Std	CoreSight APU0 Generate Trace
DBG_APU1_DBG	reg	0xF0D4_0000	0xF0D4_FFFF	64 KB	Std	CoreSight APU1 Built-in Debug Logic
DBG_APU1_CTI	reg	0xF0D5_0000	0xF0D5_FFFF	64 KB	Std	CoreSight APU1 Map Trigger and Channel interfaces
DBG_APU1_PMU	reg	0xF0D6_0000	0xF0D6_FFFF	64 KB	Std	CoreSight APU1 Processor Performance Profile
DBG_APU1_ETM	reg	0xF0D7_0000	0xF0D7_FFFF	64 KB	Std	CoreSight APU1 Generate Trace
DBG_CPM_ROM	reg	0xF0F0_0000	0xF0F0_FFFF	64 KB	Std	CoreSight CPM ROM

Table 50: Versal ACAP 4 GB Address Map by Address (cont'd)

Destination	Type	Address Range		Size (KB)	Feature	Description
		Start	End			
DBG_CPM_FUN	reg	0xF0F2_0000	0xF0F2_FFFF	64 KB	Std	CoreSight CPM Merge Two Trace Streams to ATB
DBG_CPM_ELA2A	reg	0xF0F4_0000	0xF0F4_FFFF	64 KB	Std	CoreSight CPM 2A Embedded 256 Logic Analyzer
DBG_CPM_ELA2B	reg	0xF0F5_0000	0xF0F5_FFFF	64 KB	Std	CoreSight CPM 2B Embedded 256 Logic Analyzer
DBG_CPM_ELA2C	reg	0xF0F6_0000	0xF0F6_FFFF	64 KB	Std	CoreSight CPM 2C Embedded 256 Logic Analyzer
DBG_CPM_ELA2D	reg	0xF0F7_0000	0xF0F7_FFFF	64 KB	Std	CoreSight CPM 2D Embedded 256 Logic Analyzer
DBG_CPM_CTI2A	reg	0xF0FA_0000	0xF0FA_FFFF	64 KB	Std	CoreSight CPM 2A Map Trigger and Channel interfaces
DBG_CPM_CTI2D	reg	0xF0FD_0000	0xF0FD_FFFF	64 KB	Std	CoreSight CPM 2D Map Trigger and Channel interfaces
PMC_I2C	reg	0xF100_0000	0xF100_FFFF	64 KB	Std	PMC I2C controller
OSPI	reg	0xF101_0000	0xF101_FFFF	64 KB	Std	Octal-SPI control
PMC_GPIO	reg	0xF102_0000	0xF102_FFFF	64 KB	Std	General Purpose I/O in PMC
QSPI	reg	0xF103_0000	0xF103_FFFF	64 KB	Std	Quad-SPI control
SD_eMMC0	reg	0xF104_0000	0xF104_FFFF	64 KB	Std	SD/eMMC controller 0

Table 50: Versal ACAP 4 GB Address Map by Address (cont'd)

Destination	Type	Address Range		Size (KB)	Feature	Description
		Start	End			
SD_eMMC1	reg	0xF105_0000	0xF105_FFFF	64 KB	Std	SD/eMMC controller 1
PMC_IOP_SLCR	reg	0xF106_0000	0xF106_FFFF	64 KB	Std	PMC IOP SLCR registers, non-secure
PMC_IOP_SLCR_SECURE	reg	0xF107_0000	0xF107_FFFF	64 KB	Std	PMC IOP SLCR registers, secure
PMC_IOP_INT_GPV	reg	0xF108_0000	0xF108_FFFF	64 KB	Std	PMC IOP Interconnect Global Programmers View (GPV)
PMC_RAM_CSR	reg	0xF110_0000	0xF110_FFFF	64 KB	Std	PMC On-chip Memory configuration
PMC_GLOBAL	reg	0xF111_0000	0xF115_FFFF	320 KB	Std	PMC Global registers
PMC_ANLG	reg	0xF116_0000	0xF119_FFFF	256 KB	Std	PMC analog control
PMC_JTAG_CSR	reg	0xF11A_0000	0xF11B_FFFF	128 KB	Std	PMC JTAG TAP control
PMC_DMA0_CSR	reg	0xF11C_0000	0xF11C_FFFF	64 KB	Std	PMC DMA 0 Control
PMC_DMA1_CSR	reg	0xF11D_0000	0xF11D_FFFF	64 KB	Std	PMC DMA 1 Control
PMC_AES	reg	0xF11E_0000	0xF11E_FFFF	64 KB	Std	AES Module (controlled under NDA)
PMC_BBRAM_CTRL	reg	0xF11F_0000	0xF11F_FFFF	64 KB	Std	Batter-backed RAM, BBRAM (controlled under NDA)

Table 50: Versal ACAP 4 GB Address Map by Address (cont'd)

Destination	Type	Address Range		Size (KB)	Feature	Description
		Start	End			
PMC_ECDSA_RSA	reg	0xF120_0000	0xF120_FFFF	64 KB	Std	ECDSA and RSA control (controlled under NDA)
PMC_SHA3	reg	0xF121_0000	0xF121_FFFF	64 KB	Std	SHA3 Module (controlled under NDA)
PMC_SBI_CSR	reg	0xF122_0000	0xF122_FFFF	64 KB	Std	Boot Interface
PMC_TRNG	reg	0xF123_0000	0xF123_FFFF	64 KB	Std	True Random Number Generator (controlled under NDA)
PMC_EFUSE_CTRL	reg	0xF124_0000	0xF124_FFFF	64 KB	Std	eFuse Control Unit (partially controlled under NDA)
PMC_EFUSE_CACHE	reg	0xF125_0000	0xF125_FFFF	64 KB	Std	eFuse Cache (mostly controlled under NDA)
CRP	reg	0xF126_0000	0xF126_FFFF	64 KB	Std	PMC Clock and Reset control
PMC_SYSMON_CSR	reg	0xF127_0000	0xF129_FFFF	192 KB	Std	PMC System Monitor control
PMC_RTC	reg	0xF12A_0000	0xF12A_FFFF	64 KB	Std	RTC Registers
CFU_CSR	reg	0xF12B_0000	0xF12B_FFFF	64 KB	Std	Configuration Frame Unit (CFU) control and status
CFU_SFR_mem	mem	0xF12C_1000	0xF12C_1FFF	4 KB	Std	CFU single frame read register
CFU_FDRO_mmap	port	0xF12C_2000	0xF12C_2FFF	4 KB	Std	CFU frame data register output (FDRO)

Table 50: Versal ACAP 4 GB Address Map by Address (cont'd)

Destination	Type	Address Range		Size (KB)	Feature	Description
		Start	End			
CFRAME00_CSR	reg	0xF12D_0000	0xF12D_0FFF	4 KB	Std	CFU frame 0 control and status
CFRAME00_FDRI	port	0xF12D_1000	0xF12D_1FFF	4 KB	Std	CFU frame 0 data register input (FDRI)
CFRAME01_CSR	reg	0xF12D_2000	0xF12D_2FFF	4 KB	Std	CFU frame 1 control and status
CFRAME01_FDRI	port	0xF12D_3000	0xF12D_3FFF	4 KB	Std	CFU frame 1 data register input (FDRI)
CFRAME02_CSR	reg	0xF12D_4000	0xF12D_4FFF	4 KB	Std	CFU frame 2 control and status
CFRAME02_FDRI	port	0xF12D_5000	0xF12D_5FFF	4 KB	Std	CFU frame 2 data register input (FDRI)
CFRAME03_CSR	reg	0xF12D_6000	0xF12D_6FFF	4 KB	Std	CFU frame 3 control and status
CFRAME03_FDRI	port	0xF12D_7000	0xF12D_7FFF	4 KB	Std	CFU frame 3 data register input (FDRI)
CFRAME04_CSR	reg	0xF12D_8000	0xF12D_8FFF	4 KB	Std	CFU frame 4 control and status
CFRAME04_FDRI	port	0xF12D_9000	0xF12D_9FFF	4 KB	Std	CFU frame 4 data register input (FDRI)
CFRAME05_CSR	reg	0xF12D_A000	0xF12D_AFFF	4 KB	Std	CFU frame 5 control and status

Table 50: Versal ACAP 4 GB Address Map by Address (cont'd)

Destination	Type	Address Range		Size (KB)	Feature	Description
		Start	End			
CFRAME05_FDRI	port	0xF12D_B000	0xF12D_BFFF	4 KB	Std	CFU frame 5 data register input (FDRI)
CFRAME06_CSR	reg	0xF12D_C000	0xF12D_CFFF	4 KB	Std	CFU frame 6 control and status
CFRAME06_FDRI	port	0xF12D_D000	0xF12D_DFFF	4 KB	Std	CFU frame 6 data register input (FDRI)
CFRAME07_CSR	reg	0xF12D_E000	0xF12D_EFFF	4 KB	Std	CFU frame 7 control and status
CFRAME07_FDRI	port	0xF12D_F000	0xF12D_FFFF	4 KB	Std	CFU frame 7 data register input (FDRI)
CFRAME08_CSR	reg	0xF12E_0000	0xF12E_0FFF	4 KB	Std	CFU frame 8 control and status
CFRAME08_FDRI	port	0xF12E_1000	0xF12E_1FFF	4 KB	Std	CFU frame 8 data register input (FDRI)
CFRAME09_CSR	reg	0xF12E_2000	0xF12E_2FFF	4 KB	Std	CFU frame 9 control and status
CFRAME09_FDRI	port	0xF12E_3000	0xF12E_3FFF	4 KB	Std	CFU frame 9 data register input (FDRI)
CFRAME10_CSR	reg	0xF12E_4000	0xF12E_4FFF	4 KB	Std	CFU frame 10 control and status
CFRAME10_FDRI	port	0xF12E_5000	0xF12E_5FFF	4 KB	Std	CFU frame 10 data register input (FDRI)

Table 50: Versal ACAP 4 GB Address Map by Address (cont'd)

Destination	Type	Address Range		Size (KB)	Feature	Description
		Start	End			
CFRAME11_CSR	reg	0xF12E_6000	0xF12E_6FFF	4 KB	Std	CFU frame 11 control and status
CFRAME11_FDRI	port	0xF12E_7000	0xF12E_7FFF	4 KB	Std	CFU frame 11 data register input (FDRI)
CFRAME12_CSR	reg	0xF12E_8000	0xF12E_8FFF	4 KB	Std	CFU frame 12 control and status
CFRAME12_FDRI	port	0xF12E_9000	0xF12E_9FFF	4 KB	Std	CFU frame 12 data register input (FDRI)
CFRAME13_CSR	reg	0xF12E_A000	0xF12E_AFFF	4 KB	Std	CFU frame 13 control and status
CFRAME13_FDRI	port	0xF12E_B000	0xF12E_BFFF	4 KB	Std	CFU frame 13 data register input (FDRI)
CFRAME14_CSR	reg	0xF12E_C000	0xF12E_CFFF	4 KB	Std	CFU frame 14 control and status
CFRAME14_FDRI	port	0xF12E_D000	0xF12E_DFFF	4 KB	Std	CFU frame 14 data register input (FDRI)
CFRAME_BCAST_CSR	reg	0xF12E_E000	0xF12E_EFFF	4 KB	Std	CFU frame broadcast control and status
CFRAME_BCAST_FDRI	port	0xF12E_F000	0xF12E_FFFF	4 KB	Std	CFU frame broadcast data register input (FDRI)
PMC_XMPU	reg	0xF12F_0000	0xF12F_FFFF	64 KB	Std	PMC Memory Protection Unit

Table 50: Versal ACAP 4 GB Address Map by Address (cont'd)

Destination	Type	Address Range		Size (KB)	Feature	Description
		Start	End			
PMC_XPPU_NPI	reg	0xF130_0000	0xF130_FFFF	64 KB	Std	NPI Host Memory Protection Unit
PMC_XPPU	reg	0xF131_0000	0xF131_FFFF	64 KB	Std	PMC Peripheral Protection Unit
PMC_INT_GPV	reg	0xF132_0000	0xF132_FFFF	64 KB	Std	PMC Interconnect Global Programmers View (GPV)
PMC_INT_CSR	reg	0xF133_0000	0xF15A_FFFF	2.5 MB	Std	PMC reset and isolation interconnect ports
CFU_STREAM_port	port	0xF1F8_0000	0xF1FB_FFFF	256 KB	Std	CFU Stream
PMC_RAM_mem	mem	0xF200_0000	0xF201_FFFF	128 KB	Std	PMC RAM (128 KB) - Note: The usage of this memory is defined by the PLM.
PLM_RTCA	mreg	0xF201_4000	0xF201_4FFF	4 KB	Std	Real-time Configuration Area - Note: Fixed location in PMC RAM
PMC_SBI_STREAM_mem	mem	0xF210_0000	0xF210_FFFF	64 KB	Std	SBI Stream memory
NPI_HOST_mem	mem	0xF600_0000	0xF7FF_FFFF	32 MB	Std	NPI Host controller memory space
DBG_STM_mem	mem	0xF800_0000	0xF8FF_FFFF	16 MB	Std	Debug System Trace Macrocell

Table 50: Versal ACAP 4 GB Address Map by Address (cont'd)

Destination	Type	Address Range		Size (KB)	Feature	Description
		Start	End			
RPU_GIC	local	0xF900_0000	0xF900_2FFF	12 KB	Std	RPU general interrupt register modules, PL390, local access
APU_GIC_DIST_MAIN	local	0xF900_0000	0xF900_FFFF	64 KB	Std	APU general interrupt register modules, GIC-500, PL390, local access
APU_GIC_DIST_MBSPI	local	0xF901_0000	0xF901_FFFF	64 KB	Std	APU GIC SPI Interrupt Distributor
APU_GIC_ITS_CTL	local	0xF902_0000	0xF902_FFFF	64 KB	Std	APU GIC ITS control
APU_GIC_ITS_TRANS	local	0xF903_0000	0xF903_FFFF	64 KB	Std	APU GIC ITS service (translator) accessed only by CPM
APU_GIC_CPUIF	local	0xF904_0000	0xF904_FFFF	64 KB	Std	APU GIC CPU Interface
APU_GIC_VIFCTL	local	0xF905_0000	0xF905_FFFF	64 KB	Std	APU GIC CPU Virtual Interface Control
APU_GIC_VCPUIF	local	0xF906_0000	0xF906_FFFF	64 KB	Std	APU GIC CPU Virtual Interface
APU_GIC_REDIST_CTLLPI_0	local	0xF908_0000	0xF908_FFFF	64 KB	Std	APU 0 GIC Redistributor control and Physical LPI
APU_GIC_REDIST_SGISPI_0	local	0xF909_0000	0xF909_FFFF	64 KB	Std	APU 0 GIC Redistributor for SGI and PPI

Table 50: Versal ACAP 4 GB Address Map by Address (cont'd)

Destination	Type	Address Range		Size (KB)	Feature	Description
		Start	End			
APU_GIC_REDIST_CTLLPI_1	local	0xF90A_0000	0xF90A_FFFF	64 KB	Std	APU 1 GIC Redistributor control and Physical LPI
APU_GIC_REDIST_SGISPI_1	local	0xF90B_0000	0xF90B_FFFF	64 KB	Std	APU 1 GIC Redistributor for SGI and PPI
CPM4_CMN	reg	0xFC00_0000	0xFC9F_FFFF	10 MB	CPM4	CPM4 CMN Registers
CPM4_CRX	reg	0xFCA0_0000	0xFCBF_FFFF	64 KB	Opt	CPM4 Clock and Reset Controllers
CPM4_SLCR	reg	0xFCA1_0000	0xFCA1_FFFF	64 KB	Opt	CPM4 System-level Control and Status
CPM4_SLCR_SECURE	reg	0xFCA2_0000	0xFCA2_FFFF	64 KB	Opt	CPM4 System-level Control and Status (secure)
CPM4_PCIE0_ATTR	reg	0xFCA5_0000	0xFCA5_FFFF	64 KB	Opt	CPM4 PCIe0 Attributes (program with design tools)
CPM4_PCIE1_ATTR	reg	0xFCA6_0000	0xFCA6_FFFF	64 KB	Opt	CPM4 PCIe1 Attributes (program with design tools)
CPM4_DMA_ATTR	reg	0xFCA7_0000	0xFCA7_FFFF	64 KB	Opt	CPM4 PCIe DMA Attributes (program with design tools)
CPM4_INT_GPV	reg	0xFCB0_0000	0xFCB0_FFFF	128 KB	Opt	CPM4 Interconnect Global Programming View (GPV)

Table 50: Versal ACAP 4 GB Address Map by Address (cont'd)

Destination	Type	Address Range		Size (KB)	Feature	Description
		Start	End			
CPM4_INT_CSR	reg	0xFCB4_0000	0xFCB0_FFFF	1.5 MB	Opt	CPM4 Interconnect Control and Status
CPM4_L2_CSR	reg	0xFCD0_0000	0xFCD7_FFFF	512 KB	Opt	CPM2 L2 Cache Control and Status (aka CPM_L2_0_CONFIG)
CPM4_ADDRREMAP	reg	0xFCF3_0000	0xFCF3_FFFF	64 KB	Opt	CPM4 Re-map Control
CPM4_DVSEC_0	reg	0xFCFB_0000	0xFCFB_FFFF	64 KB	Opt	CPM4 DVSEC 0 Buffer
CPM4_DVSEC_1	reg	0xFCFC_0000	0xFCFC_FFFF	64 KB	Opt	CPM4 DVSEC 1 Buffer
CPM4_PCIE_DMA	reg	0xFCFE_0000	0xFCFE_FFFF	64 KB	Opt	CPM DMA control and status
CPM4_CSR	reg	0xFCFF_0000	0xFCFF_FFFF	64 KB	Opt	CPM control and status
FPD_CCI_CORE	reg	0xFD00_0000	0xFD0F_FFFF	1 MB	Std	Cache Coherent Interconnect (CCI-500) in FPD
CRF	reg	0xFD1A_0000	0xFD2D_FFFF	1.25 MB	Std	FPD Clock and Reset controller
PL_AXI_FPD_CSR	reg	0xFD36_0000	0xFD36_FFFF	64 KB	Std	PL to PS AXI Interface control (aka S_AXI_HP, AFIFM0)
FPD_INT_CSR	reg	0xFD37_0000	0xFD37_FFFF	64 KB	Std	FPD Interconnect control, wrapper
PL_ACELITE_FPD_CSR	reg	0xFD38_0000	0xFD38_FFFF	64 KB	Std	PL to PS Coherent AXI control (aka S_AXI_HPC, AFIFM2)

Table 50: Versal ACAP 4 GB Address Map by Address (cont'd)

Destination	Type	Address Range		Size (KB)	Feature	Description
		Start	End			
FPD_XMPU	reg	0xFD39_0000	0xFD39_FFFF	64 KB	Std	FPD Memory Protection Unit
FPD_SWDT	reg	0xFD4D_0000	0xFD4D_FFFF	64 KB	Std	FPD System Watchdog Timer (aka SWDT1, WWDT1))
APU_DUAL_CSR	reg	0xFD5C_0000	0xFD5C_FFFF	64 KB	Std	APU control and status
FPD_CCI_CSR	reg	0xFD5E_0000	0xFD5E_FFFF	64 KB	Std	Cache Coherent Interconnect (aka CCI_REG)
FPD_SMMU_CSR	reg	0xFD5F_0000	0xFD5F_FFFF	64 KB	Std	System Memory Management Unit
FPD_SLCR	reg	0xFD61_0000	0xFD61_FFFF	64 KB	Std	FPD System-level Control
FPD_SLCR_SECURE	reg	0xFD69_0000	0xFD69_FFFF	64 KB	Std	FPD System-level Control (secure)
FPD_INT_GPV	reg	0xFD70_0000	0xFD7F_FFFF	1 MB	Std	FPD Interconnect Global Programmers View (GPV)
FPD_SMMU	reg	0xFD80_0000	0xFDFF_FFFF	8 MB	Std	SMMU core (non-secure 8 MB space)
FPD_SMMU_SECURE	reg	0xFD80_0000	0xFDFF_FFFF	8 MB	Std	SMMU core (secure 8 MB space)
LPD_IOP_INT_GPV	reg	0xFE00_0000	0xFE0F_FFFF	1 MB	Std	LPD IOP Interconnect Global Programmers View (GPV)
USB2_XHCI	reg	0xFE20_0000	0xFE2F_FFFF	1 MB	Std	USB 2.0 XHCI registers

Table 50: Versal ACAP 4 GB Address Map by Address (cont'd)

Destination	Type	Address Range		Size (KB)	Feature	Description
		Start	End			
LPD_INT_GPV	reg	0xFE40_0000	0xFE41_FFFF	128 KB	Std	LPD Interconnect Global Programmers View (GPV)
DPC_DMA_CSR	reg	0xFE5F_0000	0xFE5F_FFFF	64 KB	Std	Debug Port Controller DMA unit
LPD_INT_CSR	reg	0xFE60_0000	0xFE7F_FFFF	2 MB	Std	LPD Interconnect Timeout, Reset, and Isolation
XRAM_mem	mem	0xFE80_0000	0xFEBF_FFFF	4 MB	XRAM	On-chip Accelerator RAM, 4 MB
UART0	reg	0xFF00_0000	0xFF00_FFFF	64 KB	Std	UART 0 controller
UART1	reg	0xFF01_0000	0xFF01_FFFF	64 KB	Std	UART 1 controller
LPD_I2C0	reg	0xFF02_0000	0xFF02_FFFF	64 KB	Std	Inter-integrated Circuit controller 0
LPD_I2C1	reg	0xFF03_0000	0xFF03_FFFF	64 KB	Std	Inter-integrated Circuit controller 1
SPI0	reg	0xFF04_0000	0xFF04_FFFF	64 KB	Std	Serial Peripheral Interface 0
SPI1	reg	0xFF05_0000	0xFF05_FFFF	64 KB	Std	Serial Peripheral Interface 1
CANFD0	reg	0xFF06_0000	0xFF06_FFFF	64 KB	Std	Controller Area Network 0
CANFD1	reg	0xFF07_0000	0xFF07_FFFF	64 KB	Std	Controller Area Network 1
LPD_IOP_SLCR	reg	0xFF08_0000	0xFF09_FFFF	128 KB	Std	LPD IOP System-level Control
LPD_IOP_SLCR_SECURE	reg	0xFF0A_0000	0xFF0A_FFFF	64 KB	Std	LPD IOP System-level Control, secure

Table 50: Versal ACAP 4 GB Address Map by Address (cont'd)

Destination	Type	Address Range		Size (KB)	Feature	Description
		Start	End			
LPD_GPIO	reg	0xFF0B_0000	0xFF0B_FFFF	64 KB	Std	LPD General Purpose I/O
GEM0	reg	0xFF0C_0000	0xFF0C_FFFF	64 KB	Std	Gigabit Ethernet MAC (GEM) controller 0
GEM1	reg	0xFF0D_0000	0xFF0D_FFFF	64 KB	Std	Gigabit Ethernet MAC (GEM) controller 1
TTC0	reg	0xFF0E_0000	0xFF0E_FFFF	64 KB	Std	Triple Timer Counter 0
TTC1	reg	0xFF0F_0000	0xFF0F_FFFF	64 KB	Std	Triple Timer Counter 1
TTC2	reg	0xFF10_0000	0xFF10_FFFF	64 KB	Std	Triple Timer Counter 2
TTC3	reg	0xFF11_0000	0xFF11_FFFF	64 KB	Std	Triple Timer Counter 3
LPD_SWDT	reg	0xFF12_0000	0xFF12_FFFF	64 KB	Std	LPD System Watchdog Timer (aka SWDT0, WWDT0)
SYS_COUNT_READ	reg	0xFF13_0000	0xFF13_FFFF	64 KB	Std	System software counter read
SYS_COUNT_CSR	reg	0xFF14_0000	0xFF14_FFFF	64 KB	Std	System software counter control and status
IPI	reg	0xFF30_0000	0xFF3F_FFFF	1 MB	Std	Inter-processor Interrupts
LPD_SLCR	reg	0xFF41_0000	0xFF50_FFFF	1 MB	Std	LPD System-level control
LPD_SLCR_SECURE	reg	0xFF51_0000	0xFF54_FFFF	256 KB	Std	LPD System-level control, secure
CRL	reg	0xFF5E_0000	0xFF8D_FFFF	3 MB	Std	LPD Clock and Reset controller

Table 50: Versal ACAP 4 GB Address Map by Address (cont'd)

Destination	Type	Address Range		Size (KB)	Feature	Description
		Start	End			
XRAM_CTRL0	reg	0xFF8E_0000	0xFF8E_FFFF	64 KB	XRAM	XRAM Bank 0 control
XRAM_CTRL1	reg	0xFF8F_0000	0xFF8F_FFFF	64 KB	XRAM	XRAM Bank 1 control
XRAM_CTRL2	reg	0xFF90_0000	0xFF90_FFFF	64 KB	XRAM	XRAM Bank 2 control
XRAM_CTRL3	reg	0xFF91_0000	0xFF91_FFFF	64 KB	XRAM	XRAM Bank 3 control
XRAM_XMPU0	reg	0xFF93_0000	0xFF93_3FFF	16 KB	XRAM	XRAM Memory Protection Unit 0
XRAM_XMPU1	reg	0xFF93_4000	0xFF93_7FFF	16 KB	XRAM	XRAM Memory Protection Unit 1
XRAM_XMPU2	reg	0xFF93_8000	0xFF93_BFFF	16 KB	XRAM	XRAM Memory Protection Unit 2
XRAM_XMPU3	reg	0xFF93_C000	0xFF93_FFFF	16 KB	XRAM	XRAM Memory Protection Unit 3
XRAM_INT_GPV	reg	0xFF94_0000	0xFF94_FFFF	64 KB	XRAM	XRAM Interconnect Global Programmers View (GPV)
XRAM_SLCR	reg	0xFF95_0000	0xFF95_FFFF	64 KB	XRAM	XRAM System-level control
OCM_CSR	reg	0xFF96_0000	0xFF96_FFFF	64 KB	Std	On-chip Memory control
OCM_XMPU	reg	0xFF98_0000	0xFF98_FFFF	64 KB	Std	OCM Memory Protection control
LPD_XPPU	reg	0xFF99_0000	0xFF99_FFFF	64 KB	Std	LPD Peripheral Protection control
RPU_DUAL_CSR	reg	0xFF9A_0000	0xFF9A_FFFF	64 KB	Std	RPU control and status

Table 50: Versal ACAP 4 GB Address Map by Address (cont'd)

Destination	Type	Address Range		Size (KB)	Feature	Description
		Start	End			
PL_AXI_LPD_CSR	reg	0xFF9B_0000	0xFF9B_FFFF	64 KB	Std	PL to PS 128-bit AXI Channel (aka AFIFM4)
DPC_AURORA	reg	0xFF9C_0000	0xFF9C_FFFF	64 KB	Std	Aurora Debug Interface (aka HSDP_AURORA)
USB2_CSR	reg	0xFF9D_0000	0xFF9D_FFFF	64 KB	Std	USB 2.0 control in LPD
LPD_DMA_CH0	reg	0xFFA8_0000	0xFFA8_FFFF	64 KB	Std	General purpose DMA channel 0 (aka ADMA)
LPD_DMA_CH1	reg	0xFFA9_0000	0xFFA9_FFFF	64 KB	Std	General purpose DMA channel 1
LPD_DMA_CH2	reg	0xFFAA_0000	0xFFAA_FFFF	64 KB	Std	General purpose DMA channel 2
LPD_DMA_CH3	reg	0xFFAB_0000	0xFFAB_FFFF	64 KB	Std	General purpose DMA channel 3
LPD_DMA_CH4	reg	0xFFAC_0000	0xFFAC_FFFF	64 KB	Std	General purpose DMA channel 4
LPD_DMA_CH5	reg	0xFFAD_0000	0xFFAD_FFFF	64 KB	Std	General purpose DMA channel 5
LPD_DMA_CH6	reg	0xFFAE_0000	0xFFAE_FFFF	64 KB	Std	General purpose DMA channel 6
LPD_DMA_CH7	reg	0xFFAF_0000	0xFFAF_FFFF	64 KB	Std	General purpose DMA channel 7
PSM_ICACHE_mem	mem	0xFFC0_0000	0xFFC1_FFFF	128 KB	Std	PSM I-cache Addressable
PSM_DCACHE_mem	mem	0xFFC2_0000	0xFFC3_FFFF	128 KB	Std	PSM D-cache Addressable
PSM_IOMODULE	reg	0xFFC8_0000	0xFFC8_7FFF	32 KB	Std	PSM I/O Module registers
PSM_LOCAL	reg	0xFFC8_8000	0xFFC8_FFFF	32 KB	Std	PSM Local registers

Table 50: Versal ACAP 4 GB Address Map by Address (cont'd)

Destination	Type	Address Range		Size (KB)	Feature	Description
		Start	End			
PSM_GLOBAL	reg	0xFFC9_0000	0xFFC9_EFFF	60 KB	Std	PSM Global registers
PSM_INT_GPV	reg	0xFFC9_F000	0xFFC9_FFFF	4 KB	Std	PSM Interconnect Global Programmers View (GPV)
PSM_ICACHE_ECC	reg	0xFFCA_0000	0xFFCA_FFFF	64 KB	Std	PSM I-cache ECC control
PSM_DCACHE_ECC	reg	0xFFCB_0000	0xFFCB_FFFF	64 KB	Std	PSM D-cache ECC control
PSM_TMR_MANAGER	reg	0xFFCC_0000	0xFFCC_FFFF	64 KB	Std	PSM Triple Redundancy Manager
PSM_TMR_INJECT	reg	0xFFCD_0000	0xFFCD_FFFF	64 KB	Std	PSM Triple Redundancy Error Injection
PSM_TMR_TRACE	reg	0xFFCE_0000	0xFFCE_FFFF	64 KB	Std	PSM Trace Module control
PSM_MDM	reg	0xFFCF_0000	0xFFCF_FFFF	64 KB	Std	PSM Debug Module control
OCM_mem	mem	0xFFFF_0000	0xFFFF_FFFF	256 KB	Std	On-chip Memory space
RPU0_TCMA_mem	mem	0xFFE0_0000	0xFFE0_FFFF	64 KB	Std	RPU0 TCM A lock-step and dual modes
RPU0_TCMA_mem_lockstep	mem	0xFFE1_0000	0xFFE1_FFFF	64 KB	Std	RPU0 TCM A lock-step mode
RPU0_TCMB_mem	mem	0xFFE2_0000	0xFFE2_FFFF	64 KB	Std	RPU0 TCM B lock-step and dual modes
RPU0_TCMB_mem_lockstep	mem	0xFFE3_0000	0xFFE3_FFFF	64 KB	Std	RPU0 TCM B lock-step mode

Table 50: Versal ACAP 4 GB Address Map by Address (cont'd)

Destination	Type	Address Range		Size (KB)	Feature	Description
		Start	End			
RPU0_ICACHE_mem	mem	0xFFE4_0000	0xFFE4_7FFF	32 KB	Std	RPU0 instruction cache lock-step and dual modes
RPU0_DCACHE_mem	mem	0xFFE5_0000	0xFFE5_7FFF	32 KB	Std	RPU0 data cache lock-step and dual modes
RPU1_TCMA_mem_dual	mem	0xFFE9_0000	0xFFE9_FFFF	64 KB	Std	RPU1 TCM A dual mode
RPU1_TCMB_mem_dual	mem	0xFFEB_0000	0xFFEB_FFFF	64 KB	Std	RPU1 TCM B dual mode
RPU1_ICACHE_mem_dual	mem	0xFFEC_0000	0xFFED_7FFF	32 KB	Std	RPU1 instruction cache dual mode
RPU1_DCACHE_mem_dual	mem	0xFFED_0000	0xFFED_7FFF	32 KB	Std	RPU1 data cache dual mode
CPM5_PCIE0_mem	mem	0xE000_0000	0xEFFF_FFFF	256 MB	CPM5	CPM5 Interconnect to CPM5 APB switch
CPM5_INT_GPV	reg	0xFCD8_0000	0xFCD9_FFFF	128	CPM5	CPM5 Global Programmer's View Interconnect control
CPM5_ADDRREMAP	reg	0xFCDB_0000	0xFCDB_FFFF	64 KB	CPM5	CPM5 Address ReMap control
CPM5_CRX	reg	0xFCDC_0000	0xFCDC_FFFF	64 KB	CPM5	CPM5 Clock and Reset registers
CPM5_SLCR	reg	0xFCDD_0000	0xFCDD_FFFF	64 KB	CPM5	CPM5 System-level Control Registers
CPM5_SLCR_SECURE	reg	0xFCDE_0000	0xFCDE_FFFF	64 KB	CPM5	CPM5 Secure System-level Control Registers

Table 50: Versal ACAP 4 GB Address Map by Address (cont'd)

Destination	Type	Address Range		Size (KB)	Feature	Description
		Start	End			
CPM5_PCIE0_CSR	reg	0xFCE0_0000	0xFCE0_7FFF	32 KB	CPM5	CPM5 PCIe Controller 0 Control and Status
CPM5_PCIE0_ATTR	reg	0xFCE0_8000	0xFCE0_FFFF	32 KB	CPM5	CPM5 PCIe Controller 0 Attributes
CPM5_DMA0_ATTR	reg	0xFCE1_0000	0xFCE1_FFFF	64 KB	CPM5	CPM5 DMA Controller 0 Attributes
CPM5_DMA0_CSR	reg	0xFCE2_0000	0xFCE2_FFFF	64 KB	CPM5	CPM5 DMA Controller 0 Control and Status
CPM5_DPLL0_ATTR	reg	0xFCE3_0000	0xFCE3_FFFF	64 KB	CPM5	CPM5 Digital PLL 0 Control
CPM5_DVSEC0	reg	0xFCE4_0000	0xFCE4_FFFF	64 KB	CPM5	CPM5 Device Security Controller 0
CPM5_PCIE1_CSR	reg	0xFCE8_0000	0xFCE8_7FFF	32 KB	CPM5	CPM5 PCIe Controller 1 Control and Status
CPM5_PCIE1_ATTR	reg	0xFCE8_8000	0xFCE8_FFFF	32 KB	CPM5	CPM5 PCIe Controller 1 Attributes
CPM5_DMA1_ATTR	reg	0xFCE9_0000	0xFCE9_FFFF	64 KB	CPM5	CPM5 DMA Controller 1 Attributes
CPM5_DMA1_CSR	reg	0xFCEA_0000	0xFCEA_FFFF	64 KB	CPM5	CPM5 DMA Controller 1 Control and Status
CPM5_DPLL1_ATTR	reg	0xFCEB_0000	0xFCEB_FFFF	64 KB	CPM5	CPM5 Digital PLL 1 Control

Table 50: Versal ACAP 4 GB Address Map by Address (cont'd)

Destination	Type	Address Range		Size (KB)	Feature	Description
		Start	End			
CPM5_DVSEC1	reg	0xFCEC_0000	0xFCEC_FFFF	64 KB	CPM5	CPM5 Device Security Controller 1
CPM5_CMN	reg	0xFC00_0000	0xFC9F_FFFF	10 MB	CPM5	CPM5 Cache Mesh Network Registers
CPM5_CRX	reg	0xFCA0_0000	0xFCBF_FFFF	2 MB	CPM5	CPM5 Clock and Reset Registers
CPM5_L20_CSR	reg	0xFCC0_0000	0xFCC7_FFFF	512 KB	CPM5	CPM5 L2 Cache 0 Control and Status
CPM5_L21_CSR	reg	0xFCC8_0000	0xFCCF_FFFF	512 KB	CPM5	CPM5 L2 Cache 1 Control and Status
CPM5_PCSR	reg	0xFCFF_0000	0xFCFF_FFFF	64 KB	CPM5	CPM5 Control and Status Registers

4 GB Address Map by Name

The 4 GB address map includes the first 2 GBs of DDR memory and register modules, local memories, miscellaneous access ports, and small windows in the interfaces directly from the processing system to the programmable logic (PL). This address space also includes destinations in the cache coherent PCIe module (CPM), when present.

The following table is organized by destination name.

Table 51: Versal ACAP 4 GB Address Map by Name

Destination	Type	Address Range		Size (KB)	Feature	Description
		Start	End			
AI_Engine	mmap	0x200_0000_0000	0x200_FFFF_FFFF	4 GB	AIE	AI Engine Programming and Interface Tiles
AI_Engine	mmap	0x200_0000_0000	0x200_FFFF_FFFF	4 GB	AIE	4 GB region to program AI Engine. 4x1GB, aliased.
APU_DUAL_CSR	reg	0xFD5C_0000	0xFD5C_FFFF	64 KB	Std	APU control and status
APU_GIC_CPUIF	local	0xF904_0000	0xF904_FFFF	64 KB	Std	APU GIC CPU Interface
APU_GIC_DIST_MAIN	local	0xF900_0000	0xF900_FFFF	64 KB	Std	APU general interrupt register modules, GIC-500, PL390, local access
APU_GIC_DIST_MBSPI	local	0xF901_0000	0xF901_FFFF	64 KB	Std	APU GIC SPI Interrupt Distributor
APU_GIC_ITS_CTL	local	0xF902_0000	0xF902_FFFF	64 KB	Std	APU GIC ITS control

Table 51: Versal ACAP 4 GB Address Map by Name (cont'd)

Destination	Type	Address Range		Size (KB)	Feature	Description
		Start	End			
APU_GIC_ITS_TRANS	local	0xF903_0000	0xF903_FFFF	64 KB	Std	APU GIC ITS service (translator) accessed only by CPM
APU_GIC_REDIST_CTLLPI_0	local	0xF908_0000	0xF908_FFFF	64 KB	Std	APU 0 GIC Redistributor control and Physical LPI
APU_GIC_REDIST_CTLLPI_1	local	0xF90A_0000	0xF90A_FFFF	64 KB	Std	APU 1 GIC Redistributor control and Physical LPI
APU_GIC_REDIST_SGISPI_0	local	0xF909_0000	0xF909_FFFF	64 KB	Std	APU 0 GIC Redistributor for SGI and PPI
APU_GIC_REDIST_SGISPI_1	local	0xF90B_0000	0xF90B_FFFF	64 KB	Std	APU 1 GIC Redistributor for SGI and PPI
APU_GIC_VCPUIF	local	0xF906_0000	0xF906_FFFF	64 KB	Std	APU GIC CPU Virtual Interface
APU_GIC_VIFCTL	local	0xF905_0000	0xF905_FFFF	64 KB	Std	APU GIC CPU Virtual Interface Control
CANFD0	reg	0xFF06_0000	0xFF06_FFFF	64 KB	Std	Controller Area Network 0
CANFD1	reg	0xFF07_0000	0xFF07_FFFF	64 KB	Std	Controller Area Network 1
CFRAME00_CSR	reg	0xF12D_0000	0xF12D_0FFF	4 KB	Std	CFU frame 0 control and status
CFRAME00_FDRI	port	0xF12D_1000	0xF12D_1FFF	4 KB	Std	CFU frame 0 data register input (FDRI)

Table 51: Versal ACAP 4 GB Address Map by Name (cont'd)

Destination	Type	Address Range		Size (KB)	Feature	Description
		Start	End			
CFRAME01_CSR	reg	0xF12D_2000	0xF12D_2FFF	4 KB	Std	CFU frame 1 control and status
CFRAME01_FDRI	port	0xF12D_3000	0xF12D_3FFF	4 KB	Std	CFU frame 1 data register input (FDRI)
CFRAME02_CSR	reg	0xF12D_4000	0xF12D_4FFF	4 KB	Std	CFU frame 2 control and status
CFRAME02_FDRI	port	0xF12D_5000	0xF12D_5FFF	4 KB	Std	CFU frame 2 data register input (FDRI)
CFRAME03_CSR	reg	0xF12D_6000	0xF12D_6FFF	4 KB	Std	CFU frame 3 control and status
CFRAME03_FDRI	port	0xF12D_7000	0xF12D_7FFF	4 KB	Std	CFU frame 3 data register input (FDRI)
CFRAME04_CSR	reg	0xF12D_8000	0xF12D_8FFF	4 KB	Std	CFU frame 4 control and status
CFRAME04_FDRI	port	0xF12D_9000	0xF12D_9FFF	4 KB	Std	CFU frame 4 data register input (FDRI)
CFRAME05_CSR	reg	0xF12D_A000	0xF12D_AFFF	4 KB	Std	CFU frame 5 control and status
CFRAME05_FDRI	port	0xF12D_B000	0xF12D_BFFF	4 KB	Std	CFU frame 5 data register input (FDRI)
CFRAME06_CSR	reg	0xF12D_C000	0xF12D_CFFF	4 KB	Std	CFU frame 6 control and status

Table 51: Versal ACAP 4 GB Address Map by Name (cont'd)

Destination	Type	Address Range		Size (KB)	Feature	Description
		Start	End			
CFRAME06_FDRI	port	0xF12D_D000	0xF12D_DFFF	4 KB	Std	CFU frame 6 data register input (FDRI)
CFRAME07_CSR	reg	0xF12D_E000	0xF12D_EFFF	4 KB	Std	CFU frame 7 control and status
CFRAME07_FDRI	port	0xF12D_F000	0xF12D_FFFF	4 KB	Std	CFU frame 7 data register input (FDRI)
CFRAME08_CSR	reg	0xF12E_0000	0xF12E_0FFF	4 KB	Std	CFU frame 8 control and status
CFRAME08_FDRI	port	0xF12E_1000	0xF12E_1FFF	4 KB	Std	CFU frame 8 data register input (FDRI)
CFRAME09_CSR	reg	0xF12E_2000	0xF12E_2FFF	4 KB	Std	CFU frame 9 control and status
CFRAME09_FDRI	port	0xF12E_3000	0xF12E_3FFF	4 KB	Std	CFU frame 9 data register input (FDRI)
CFRAME10_CSR	reg	0xF12E_4000	0xF12E_4FFF	4 KB	Std	CFU frame 10 control and status
CFRAME10_FDRI	port	0xF12E_5000	0xF12E_5FFF	4 KB	Std	CFU frame 10 data register input (FDRI)
CFRAME11_CSR	reg	0xF12E_6000	0xF12E_6FFF	4 KB	Std	CFU frame 11 control and status
CFRAME11_FDRI	port	0xF12E_7000	0xF12E_7FFF	4 KB	Std	CFU frame 11 data register input (FDRI)

Table 51: Versal ACAP 4 GB Address Map by Name (cont'd)

Destination	Type	Address Range		Size (KB)	Feature	Description
		Start	End			
CFRAME12_CSR	reg	0xF12E_8000	0xF12E_8FFF	4 KB	Std	CFU frame 12 control and status
CFRAME12_FDRI	port	0xF12E_9000	0xF12E_9FFF	4 KB	Std	CFU frame 12 data register input (FDRI)
CFRAME13_CSR	reg	0xF12E_A000	0xF12E_AFFF	4 KB	Std	CFU frame 13 control and status
CFRAME13_FDRI	port	0xF12E_B000	0xF12E_BFFF	4 KB	Std	CFU frame 13 data register input (FDRI)
CFRAME14_CSR	reg	0xF12E_C000	0xF12E_CFFF	4 KB	Std	CFU frame 14 control and status
CFRAME14_FDRI	port	0xF12E_D000	0xF12E_DFFF	4 KB	Std	CFU frame 14 data register input (FDRI)
CFRAME_BCAST_CSR	reg	0xF12E_E000	0xF12E_EFFF	4 KB	Std	CFU frame broadcast control and status
CFRAME_BCAST_FDRI	port	0xF12E_F000	0xF12E_FFFF	4 KB	Std	CFU frame broadcast data register input (FDRI)
CFU_CSR	reg	0xF12B_0000	0xF12B_FFFF	64 KB	Std	Configuration Frame Unit (CFU) control and status
CFU_FDRO mmap	port	0xF12C_2000	0xF12C_2FFF	4 KB	Std	CFU frame data register output (FDRO)
CFU_SFR_mem	mem	0xF12C_1000	0xF12C_1FFF	4 KB	Std	CFU single frame read register

Table 51: Versal ACAP 4 GB Address Map by Name (cont'd)

Destination	Type	Address Range		Size (KB)	Feature	Description
		Start	End			
CFU_STREAM_port	port	0xF1F8_0000	0xF1FB_FFFF	256 KB	Std	CFU Stream
CPM4_ADDRREMAP	reg	0xFCF3_0000	0xFCF3_FFFF	64 KB	Opt	CPM4 Re-map Control
CPM4_CMN	reg	0xFC00_0000	0xFC9F_FFFF	10 MB	CPM4	CPM4 CMN Registers
CPM4_CRX	reg	0xFCA0_0000	0xFCBF_FFFF	64 KB	Opt	CPM4 Clock and Reset Controllers
CPM4_CSR	reg	0xFCFF_0000	0xFCFF_FFFF	64 KB	Opt	CPM control and status
CPM4_DMA_ATTR	reg	0xFCA7_0000	0xFCA7_FFFF	64 KB	Opt	CPM4 PCIe DMA Attributes (program with design tools)
CPM4_DVSEC_0	reg	0xFCFB_0000	0xFCFB_FFFF	64 KB	Opt	CPM4 DVSEC 0 Buffer
CPM4_DVSEC_1	reg	0xFCFC_0000	0xFCFC_FFFF	64 KB	Opt	CPM4 DVSEC 1 Buffer
CPM4_INT_CSR	reg	0xFCB4_0000	0xFCB0_FFFF	1.5 MB	Opt	CPM4 Interconnect Control and Status
CPM4_INT_GPV	reg	0xFCB0_0000	0xFCB0_FFFF	128 KB	Opt	CPM4 Interconnect Global Programming View (GPV)
CPM4_L2_CSR	reg	0xFCD0_0000	0xFCD7_FFFF	512 KB	Opt	CPM2 L2 Cache Control and Status
CPM4_PCIE0_ATTR	reg	0xFCA5_0000	0xFCA5_FFFF	64 KB	Opt	CPM4 PCIe0 Attributes (program with design tools)
CPM4_PCIE0_mem	mem	0xE000_0000	0xEFFF_FFFF	256 MB	CPM4	PCIe Region 0 in CPM4

Table 51: Versal ACAP 4 GB Address Map by Name (cont'd)

Destination	Type	Address Range		Size (KB)	Feature	Description
		Start	End			
CPM4_PCIE_DMA	reg	0xFCFE_0000	0xFCFE_FFFF	64 KB	Opt	CPM DMA control and status
CPM4_SLCR	reg	0xFCA1_0000	0xFCA1_FFFF	64 KB	Opt	CPM4 System-level Control and Status
CPM4_SLCR_SECURE	reg	0xFCA2_0000	0xFCA2_FFFF	64 KB	Opt	CPM4 System-level Control and Status (secure)
CPM4_XDMA_CSR	reg	0xE100_0000	0xE100_FFFF	64 KB	CPM4	CPM4 DMA control registers (XDMA)
CPM5_ADDRREMAP	reg	0xFCDB_0000	0xFCDB_FFFF	64 KB	CPM5	CPM5 Address ReMap control
CPM5_CMN	reg	0xFC00_0000	0xFC9F_FFFF	10 MB	CPM5	CPM5 Cache Mesh Network Registers
CPM5_CRX	reg	0xFCDC_0000	0xFCDC_FFFF	64 KB	CPM5	CPM5 Clock and Reset registers
CPM5_CRX	reg	0xFCA0_0000	0xFCBF_FFFF	2 MB	CPM5	CPM5 Clock and Reset Registers
CPM5_DMA0_ATTR	reg	0xFCE1_0000	0xFCE1_FFFF	64 KB	CPM5	CPM5 DMA Controller 0 Attributes
CPM5_DMA0_CSR	reg	0xFCE2_0000	0xFCE2_FFFF	64 KB	CPM5	CPM5 DMA Controller 0 Control and Status
CPM5_DMA1_ATTR	reg	0xFCE9_0000	0xFCE9_FFFF	64 KB	CPM5	CPM5 DMA Controller 1 Attributes
CPM5_DMA1_CSR	reg	0xFCEA_0000	0xFCEA_FFFF	64 KB	CPM5	CPM5 DMA Controller 1 Control and Status

Table 51: Versal ACAP 4 GB Address Map by Name (cont'd)

Destination	Type	Address Range		Size (KB)	Feature	Description
		Start	End			
CPM5_DPLL0_ATTR	reg	0xFCE3_0000	0xFCE3_FFFF	64 KB	CPM5	CPM5 Digital PLL 0 Control
CPM5_DPLL1_ATTR	reg	0xFCEB_0000	0xFCEB_FFFF	64 KB	CPM5	CPM5 Digital PLL 1 Control
CPM5_DVSEC0	reg	0xFCE4_0000	0xFCE4_FFFF	64 KB	CPM5	CPM5 Device Security Controller 0
CPM5_DVSEC1	reg	0xFCEC_0000	0xFCEC_FFFF	64 KB	CPM5	CPM5 Device Security Controller 1
CPM5_INT_GPV	reg	0xFCD8_0000	0xFCD9_FFFF	128	CPM5	CPM5 Global Programmer's View Interconnect control
CPM5_L20_CSR	reg	0xFCC0_0000	0xFCC7_FFFF	512 KB	CPM5	CPM5 L2 Cache 0 Control and Status
CPM5_L21_CSR	reg	0xFCC8_0000	0xFCCF_FFFF	512 KB	CPM5	CPM5 L2 Cache 1 Control and Status
CPM5_PCIE0_ATTR	reg	0xFCE0_8000	0xFCE0_FFFF	32 KB	CPM5	CPM5 PCIe Controller 0 Attributes
CPM5_PCIE0_CSR	reg	0xFCE0_0000	0xFCE0_7FFF	32 KB	CPM5	CPM5 PCIe Controller 0 Control and Status
CPM5_PCIE1_ATTR	reg	0xFCE8_8000	0xFCE8_FFFF	32 KB	CPM5	CPM5 PCIe Controller 1 Attributes
CPM5_PCIE1_CSR	reg	0xFCE8_0000	0xFCE8_7FFF	32 KB	CPM5	CPM5 PCIe Controller 1 Control and Status

Table 51: Versal ACAP 4 GB Address Map by Name (cont'd)

Destination	Type	Address Range		Size (KB)	Feature	Description
		Start	End			
CPM5_PCIe0_mem	mem	0xE000_0000	0xEFFF_FFFF	256 MB	CPM5	CPM5 Interconnect to CPM5 APB switch
CPM5_PCSR	reg	0xFCFF_0000	0xFCFF_FFFF	64 KB	CPM5	CPM5 Control and Status Registers
CPM5_Peripherals_Memory	mmap	0xE000_0000	0xFCFF_FFFF	~464 MB	CPM5	CPM5 Peripheral Register Modules and Memory
CPM5_SLCR	reg	0xFCDD_0000	0xFCDD_FFFF	64 KB	CPM5	CPM5 System-level Control Registers
CPM5_SLCR_SECURE	reg	0xFCDE_0000	0xFCDE_FFFF	64 KB	CPM5	CPM5 Secure System-level Control Registers
CRF	reg	0xFD1A_0000	0xFD2D_FFFF	1.25 MB	Std	FPD Clock and Reset controller
CRL	reg	0xFF5E_0000	0xFF8D_FFFF	3 MB	Std	LPD Clock and Reset controller
CRP	reg	0xF126_0000	0xF126_FFFF	64 KB	Std	PMC Clock and Reset control
DBG_APU0_CTI	reg	0xF0D1_0000	0xF0D1_FFFF	64 KB	Std	CoreSight APU0 Map Trigger and Channel interfaces
DBG_APU0_DBG	reg	0xF0D0_0000	0xF0D0_FFFF	64 KB	Std	CoreSight APU0 Built-in Debug Logic
DBG_APU0_ETM	reg	0xF0D3_0000	0xF0D3_FFFF	64 KB	Std	CoreSight APU0 Generate Trace
DBG_APU0_PMU	reg	0xF0D2_0000	0xF0D2_FFFF	64 KB	Std	CoreSight APU0 Processor Performance Profile

Table 51: Versal ACAP 4 GB Address Map by Name (cont'd)

Destination	Type	Address Range		Size (KB)	Feature	Description
		Start	End			
DBG_APU1_CTI	reg	0xF0D5_0000	0xF0D5_FFFF	64 KB	Std	CoreSight APU1 Map Trigger and Channel interfaces
DBG_APU1_DBG	reg	0xF0D4_0000	0xF0D4_FFFF	64 KB	Std	CoreSight APU1 Built-in Debug Logic
DBG_APU1_ETM	reg	0xF0D7_0000	0xF0D7_FFFF	64 KB	Std	CoreSight APU1 Generate Trace
DBG_APU1_PMU	reg	0xF0D6_0000	0xF0D6_FFFF	64 KB	Std	CoreSight APU1 Processor Performance Profile
DBG_APU_CTI	reg	0xF0CA_0000	0xF0CA_FFFF	64 KB	Std	CoreSight APU MPCore Map Trigger and Channel
DBG_APU_ELA	reg	0xF0C6_0000	0xF0C6_FFFF	64 KB	Std	CoreSight APU Embedded 128 Logic Analyzer
DBG_APU ETF	reg	0xF0C3_0000	0xF0C3_FFFF	64 KB	Std	CoreSight APU Embedded 4K Trace FIFO
DBG_APU_FUN	reg	0xF0C2_0000	0xF0C2_FFFF	64 KB	Std	CoreSight APU Merge Two Trace Streams to ATB
DBG_CPM_CTI2A	reg	0xF0FA_0000	0xF0FA_FFFF	64 KB	Std	CoreSight CPM 2A Map Trigger and Channel interfaces
DBG_CPM_CTI2D	reg	0xF0FD_0000	0xF0FD_FFFF	64 KB	Std	CoreSight CPM 2D Map Trigger and Channel interfaces

Table 51: Versal ACAP 4 GB Address Map by Name (cont'd)

Destination	Type	Address Range		Size (KB)	Feature	Description
		Start	End			
DBG_CPM_ELA2A	reg	0xF0F4_0000	0xF0F4_FFFF	64 KB	Std	CoreSight CPM 2A Embedded 256 Logic Analyzer
DBG_CPM_ELA2B	reg	0xF0F5_0000	0xF0F5_FFFF	64 KB	Std	CoreSight CPM 2B Embedded 256 Logic Analyzer
DBG_CPM_ELA2C	reg	0xF0F6_0000	0xF0F6_FFFF	64 KB	Std	CoreSight CPM 2C Embedded 256 Logic Analyzer
DBG_CPM_ELA2D	reg	0xF0F7_0000	0xF0F7_FFFF	64 KB	Std	CoreSight CPM 2D Embedded 256 Logic Analyzer
DBG_CPM_FUN	reg	0xF0F2_0000	0xF0F2_FFFF	64 KB	Std	CoreSight CPM Merge Two Trace Streams to ATB
DBG_CPM_ROM	reg	0xF0F0_0000	0xF0F0_FFFF	64 KB	Std	CoreSight CPM ROM
DBG_FPD_CTI1B	reg	0xF0BB_0000	0xF0BB_FFFF	64 KB	Std	CoreSight FPD 1B Map Trigger and Channel interfaces
DBG_FPD_CTI1C	reg	0xF0BC_0000	0xF0BC_FFFF	64 KB	Std	CoreSight FPD 1C Map Trigger and Channel interfaces
DBG_FPD_CTI1D	reg	0xF0BD_0000	0xF0BD_FFFF	64 KB	Std	CoreSight FPD 1D Map Trigger and Channel interfaces
DBG_FPD ETF	reg	0xF0B3_0000	0xF0B3_FFFF	64 KB	Std	CoreSight FPD Embedded 32K Trace FIFO

Table 51: Versal ACAP 4 GB Address Map by Name (cont'd)

Destination	Type	Address Range		Size (KB)	Feature	Description
		Start	End			
DBG_FPD_ETR	reg	0xF0B5_0000	0xF0B5_FFFF	64 KB	Std	CoreSight FPD Enable Local Trace Buffer
DBG_FPD_FUN	reg	0xF0B2_0000	0xF0B2_FFFF	64 KB	Std	CoreSight LPD Merge Six Trace Streams to ATB
DBG_FPD_GPR	reg	0xF0B1_0000	0xF0B1_FFFF	64 KB	Std	CoreSight FPD GPR 2P
DBG_FPD_REPL	reg	0xF0B4_0000	0xF0B4_FFFF	64 KB	Std	CoreSight Replicates ATB Data Stream
DBG_FPD_ROM	reg	0xF0B0_0000	0xF0B0_FFFF	64 KB	Std	CoreSight FPD ROM
DBG_LPD_CTI	reg	0xF09D_0000	0xF09D_FFFF	64 KB	Std	CoreSight LPD Map Trigger and Channel interfaces
DBG_LPD_FUN	reg	0xF092_0000	0xF092_FFFF	64 KB	Std	CoreSight LPD Merge Five Trace Streams to ATB
DBG_LPD_GPR	reg	0xF091_0000	0xF091_FFFF	64 KB	Std	CoreSight LPD GPR 3P
DBG_LPD_ROM	reg	0xF090_0000	0xF090_FFFF	64 KB	Std	CoreSight LPD ROM
DBG_PMC_CTI	reg	0xF08D_0000	0xF08D_FFFF	64 KB	Std	CoreSight PMC Map Trigger and Channel interfaces
DBG_PMC_GPR	reg	0xF081_0000	0xF081_FFFF	64 KB	Std	CoreSight PMC GPR 1P
DBG_PMC_ROM	reg	0xF080_0000	0xF080_FFFF	64 KB	Std	CoreSight PMC ROM

Table 51: Versal ACAP 4 GB Address Map by Name (cont'd)

Destination	Type	Address Range		Size (KB)	Feature	Description
		Start	End			
DBG_RPU0_CTI	reg	0xF0A1_0000	0xF0A1_FFFF	64 KB	Std	CoreSight RPU0 Map Trigger and Channel interfaces
DBG_RPU0_DBG	reg	0xF0A0_0000	0xF0A0_FFFF	64 KB	Std	CoreSight RPU0 Built-in Debug Logic
DBG_RPU0_ETM	reg	0xF0A3_0000	0xF0A3_FFFF	64 KB	Std	CoreSight RPU 0 Generate Trace
DBG_RPU1_CTI	reg	0xF0A5_0000	0xF0A5_FFFF	64 KB	Std	CoreSight RPU1 Map Trigger and Channel interfaces
DBG_RPU1_ETM	reg	0xF0A7_0000	0xF0A7_FFFF	64 KB	Std	CoreSight RPU1 Generate Trace
DBG_STM	reg	0xF0B7_0000	0xF0B7_FFFF	64 KB	Std	CoreSight System Trace Module
DBG_STM_mem	mem	0xF800_0000	0xF8FF_FFFF	16 MB	Std	Debug System Trace Macrocell
DBG_TPIU	reg	0xF0B6_0000	0xF0B6_FFFF	64 KB	Std	CoreSight Test port interface unit
DBG_TSG_RW	reg	0xF099_0000	0xF099_FFFF	64 KB	Std	CoreSight Master Time Stamp with Read/Write
DDRMCO_region0_mem	mem	0x0000_0000	0x7FFF_FFFF	2 TB	Std	DRAM Memory Controller 0, Region 0 (lower 2GB)
DDRMCO_region1_mem	mem	0x008_0000_0000	0x00F_FFFF_FFFF	32 GB	Std	DDR Memory Controller 0, Region 1

Table 51: Versal ACAP 4 GB Address Map by Name (cont'd)

Destination	Type	Address Range		Size (KB)	Feature	Description
		Start	End			
DDRMC0_region1_mem	mem	0x008_0000_0000	0x00F_FFFF_FFFF	32 GB	Std	DDR Memory Controller 0, Region 1
DDRMC0_region_2_mem	mem	0x0C0_0000_0000	0x0FF_FFFF_FFFF	256 GB	Std	DDR Memory Controller 0, Region 2
DDRMC0_region_3_mem	mem	0x100_0000_0000	0x1B7_7FFF_FFFF	734 GB	Std	DDR Memory Controller 0, Region 3
DDRMC0_regions_2_3_mem	mem	0x0C0_0000_0000	0x1B7_7FFF_FFFF	990 GB	Std	DDR Memory Controller 0, Regions 2 and 3
DDRMC1_region0_mem	mem	0x500_0000_0000	0x57F_FFFF_FFFF	512 GB	DDRMC	DDR memory controller 1, region 0
DDRMC1_region1_mem	mem	0x580_0000_0000	0x5FF_FFFF_FFFF	512 GB	DDRMC	DDR memory controller 1, region 1
DDRMC2_region0_mem	mem	0x600_0000_0000	0x67F_FFFF_FFFF	512 GB	DDRMC	DDR memory controller 2, region 0
DDRMC2_region1_mem	mem	0x680_0000_0000	0x6FF_FFFF_FFFF	512 GB	DDRMC	DDR memory controller 2, region 1
DDRMC3_region0_mem	mem	0x700_0000_0000	0x77F_FFFF_FFFF	512 GB	DDRMC	DDR memory controller 3, region 0
DDRMC3_region1_mem	mem	0x780_0000_0000	0x7FF_FFFF_FFFF	512 GB	DDRMC	DDR memory controller 3, region 1
DDRMC_1_3_regions_0_1_mem	mem	0x500_0000_0000	0x7FF_FFFF_FFFF	3 TB	DDRMC	DDR Memory Controllers 1 to 3 (regions 0 and 1 for each controller)

Table 51: Versal ACAP 4 GB Address Map by Name (cont'd)

Destination	Type	Address Range		Size (KB)	Feature	Description
		Start	End			
DPC_AURORA	reg	0xFF9C_0000	0xFF9C_FFFF	64 KB	Std	Aurora Debug Interface
DPC_DMA_CSR	reg	0xFE5F_0000	0xFE5F_FFFF	64 KB	Std	Debug Port Controller DMA unit
FPD_AXI_PL_high	mmap	0x004_0000_0000	0x005_FFFF_FFFF	8 GB	Std	PS FPD-to_PL AXI Interface, High Region
FPD_AXI_PL_high	mmap	0x004_0000_0000	0x005_FFFF_FFFF	8 GB	Std	PS FPD-to_PL AXI Interface, High Region (aka CPM_L2_0_CONFIG)
FPD_AXI_PL_mmap	mmap	0xA400_0000	0xAFFF_FFFF	192 MB	Std	PS-to-PL AXI Interface from FPD, lower
FPD_AXI_PL_mmap	mmap	0xB000_0000	0xBFFF_FFFF	256 MB	Std	PS-to-PL AXI Interface from FPD, upper
FPD_CCI_CORE	reg	0xFD00_0000	0xFD0F_FFFF	1 MB	Std	Cache Coherent Interconnect (CCI-500) in FPD
FPD_CCI_CSR	reg	0xFD5E_0000	0xFD5E_FFFF	64 KB	Std	Cache Coherent Interconnect
FPD_INT_CSR	reg	0xFD37_0000	0xFD37_FFFF	64 KB	Std	FPD Interconnect control, wrapper
FPD_Peripherals	reg	0xFD00_0000	0xFDFF_FFFF	16 MB	Std	FPD Peripheral Register Modules
FPD_SLCR	reg	0xFD61_0000	0xFD61_FFFF	64 KB	Std	FPD System-level Control
FPD_SLCR_SECURE	reg	0xFD69_0000	0xFD69_FFFF	64 KB	Std	FPD System-level Control (secure) (aka S_AXI_HP, AFIFM0)

Table 51: Versal ACAP 4 GB Address Map by Name (cont'd)

Destination	Type	Address Range		Size (KB)	Feature	Description
		Start	End			
FPD_SMMU	reg	0xFD80_0000	0xFDFF_FFFF	8 MB	Std	SMMU core (non-secure 8 MB space)
FPD_SMMU_CSR	reg	0xFD5F_0000	0xFD5F_FFFF	64 KB	Std	System Memory Management Unit (aka S_AXI_HPC, AFIFM2)
FPD_SMMU_SECURE	reg	0xFD80_0000	0xFDFF_FFFF	8 MB	Std	SMMU core (secure 8 MB space)
FPD_SWDT	reg	0xFD4D_0000	0xFD4D_FFFF	64 KB	Std	FPD System Watchdog Timer (aka SWDT1, WWDT1))
FPD_XMPU	reg	0xFD39_0000	0xFD39_FFFF	64 KB	Std	FPD Memory Protection Unit
Four PMC alias regions	mmap	0x001_0000_0000	0x001_1FFF_FFFF	512 MB	Std SSIT	Four alias regions provide windows into base PMC and SSIT-based PMCs. Note: All four alias regions provide a window into associated local PMC address space 0xF000_0000 to 0xF7FF_FFFF (128 MB). (aka CCI_REG)
GEM0	reg	0xFF0C_0000	0xFF0C_FFFF	64 KB	Std	Gigabit Ethernet MAC (GEM) controller 0

Table 51: Versal ACAP 4 GB Address Map by Name (cont'd)

Destination	Type	Address Range		Size (KB)	Feature	Description
		Start	End			
GEM1	reg	0xFF0D_0000	0xFF0D_FFFF	64 KB	Std	Gigabit Ethernet MAC (GEM) controller 1
GIC_Local_mmap	mmap	0xF900_0000	0xF90B_FFFF	768 KB	Std	RPU and APU local generic interrupt controller (GIC) access
HBM0	mem	0x040_0000_0000	0x04F_FFFF_FFFF	64 GB	HBM	High-bandwidth Memory Controller 0 (HN-F port)
HBM1	mem	0x050_0000_0000	0x05F_FFFF_FFFF	64 GB	HBM	High-bandwidth Memory Controller 1 (HN-F port)
HBM2	mem	0x060_0000_0000	0x06F_FFFF_FFFF	64 GB	HBM	High-bandwidth Memory Controller 2 (HN-F port)
HBM_memory	mem	0x040_0000_0000	0x07F_FFFF_FFFF	256 GB	HBM	HBM Controllers 0 to 3
IPI	reg	0xFF30_0000	0xFF3F_FFFF	1 MB	Std	Inter-processor Interrupts
LPD_AXI_PL_mmap	mmap	0x8000_0000	0x9FFF_FFFF	512 MB	Std	PS-to-PL AXI Interface from LPD
LPD_DMA_CH0	reg	0xFFA8_0000	0xFFA8_FFFF	64 KB	Std	General purpose DMA channel 0
LPD_DMA_CH1	reg	0xFFA9_0000	0xFFA9_FFFF	64 KB	Std	General purpose DMA channel 1
LPD_DMA_CH2	reg	0xFFAA_0000	0xFFAA_FFFF	64 KB	Std	General purpose DMA channel 2
LPD_DMA_CH3	reg	0xFFAB_0000	0xFFAB_FFFF	64 KB	Std	General purpose DMA channel 3

Table 51: Versal ACAP 4 GB Address Map by Name (cont'd)

Destination	Type	Address Range		Size (KB)	Feature	Description
		Start	End			
LPD_DMA_CH4	reg	0xFFAC_0000	0xFFAC_FFFF	64 KB	Std	General purpose DMA channel 4
LPD_DMA_CH5	reg	0xFFAD_0000	0xFFAD_FFFF	64 KB	Std	General purpose DMA channel 5
LPD_DMA_CH6	reg	0xFFAE_0000	0xFFAE_FFFF	64 KB	Std	General purpose DMA channel 6
LPD_DMA_CH7	reg	0xFFAF_0000	0xFFAF_FFFF	64 KB	Std	General purpose DMA channel 7
LPD_GPIO	reg	0xFF0B_0000	0xFF0B_FFFF	64 KB	Std	LPD General Purpose I/O
LPD_I2C0	reg	0xFF02_0000	0xFF02_FFFF	64 KB	Std	Inter-integrated Circuit controller 0
LPD_I2C1	reg	0xFF03_0000	0xFF03_FFFF	64 KB	Std	Inter-integrated Circuit controller 1
LPD_INT_CSR	reg	0xFE60_0000	0xFE7F_FFFF	2 MB	Std	LPD Interconnect Timeout, Reset, and Isolation
LPD_INT_GPV	reg	0xFE40_0000	0xFE41_FFFF	128 KB	Std	LPD Interconnect Global Programmers View (GPV)
LPD_IOP_INT_GPV	reg	0xFE00_0000	0xFE0F_FFFF	1 MB	Std	LPD IOP Interconnect Global Programmers View (GPV)
LPD_IOP_SLCR	reg	0xFF08_0000	0xFF09_FFFF	128 KB	Std	LPD IOP System-level Control
LPD_IOP_SLCR_SECURE	reg	0xFF0A_0000	0xFF0A_FFFF	64 KB	Std	LPD IOP System-level Control, secure

Table 51: Versal ACAP 4 GB Address Map by Name (cont'd)

Destination	Type	Address Range		Size (KB)	Feature	Description
		Start	End			
LPD_Peripherals_Memory	mmap	0xFE00_0000	0xFFAF_FFFF	~11 MB	Std	LPD Memory and Peripheral Register Modules
LPD_SLCR	reg	0xFF41_0000	0xFF50_FFFF	1 MB	Std	LPD System-level control
LPD_SLCR_SECURE	reg	0xFF51_0000	0xFF54_FFFF	256 KB	Std	LPD System-level control, secure
LPD_SWDT	reg	0xFF12_0000	0xFF12_FFFF	64 KB	Std	LPD System Watchdog Timer
LPD_XPPU	reg	0xFF99_0000	0xFF99_FFFF	64 KB	Std	LPD Peripheral Protection control (aka SWDT0, WWDT0)
NOC_AXI_PL	mmap	0x201_0000_0000	0x3FF_FFFF_FFFF	2044 GB	Std	Note: A CPU access to these regions can be marked as normal or device type and correct ordering is maintained.
NPI_HOST_mem	mem	0xF600_0000	0xF7FF_FFFF	32 MB	Std	NPI Host controller memory space
OCM_CSR	reg	0xFF96_0000	0xFF96_FFFF	64 KB	Std	On-chip Memory control
OCM_Memory	mem	0xFFFC_0000	0xFFFF_FFFF	256 KB	Std	On-chip Memory space
OCM_XMPU	reg	0xFF98_0000	0xFF98_FFFF	64 KB	Std	OCM Memory Protection control
OCM_mem	mem	0xFFFC_0000	0xFFFF_FFFF	256 KB	Std	On-chip Memory space
OSPI	reg	0xF101_0000	0xF101_FFFF	64 KB	Std	Octal-SPI control

Table 51: Versal ACAP 4 GB Address Map by Name (cont'd)

Destination	Type	Address Range		Size (KB)	Feature	Description
		Start	End			
OSPI_mem	mem	0xC000_0000	0xDFFF_FFFF	512 MB	Std	Octal-SPI Linear Mode memory space
PCIe0_region1	mmap	0x006_0000_0000	0x007_FFFF_FFFF	8 GB		PCIe Region 1
PCIe0_region1	mmap	0x006_0000_0000	0x007_FFFF_FFFF	8 GB		PCIe Region 1
PCIe_region_2	mmap	0x080_0000_0000	0x0BF_FFFF_FFFF	256 GB	CPM	PCIe Region 2
PCIe_region_2	mmap	0x080_0000_0000	0x0BF_FFFF_FFFF	256 GB	CPM	PCIe Region 2
PLM_RTCA	mreg	0xF201_4000	0xF201_4FFF	4 KB	Std	Real-time Configuration Area - Note: Fixed location in PMC RAM
PL_ACELITE_FPD_CSR	reg	0xFD38_0000	0xFD38_FFFF	64 KB	Std	PL to PS Coherent AXI control
PL_AXI_FPD_CSR	reg	0xFD36_0000	0xFD36_FFFF	64 KB	Std	PL to PS AXI Interface control
PL_AXI_LPD_CSR	reg	0xFF9B_0000	0xFF9B_FFFF	64 KB	Std	PL to PS 128-bit AXI Channel
PL_mmap	mmap	0x201_0000_0000	0x4FF_FFFF_FFFF	~4 TB	Std	PL Memory Space
PMC0_alias	mmap	0x001_0000_0000	0x001_07FF_FFFF	128 MB	Std	Alias address to base PMC 0 (HN-D) Note: All four alias regions provide a window into associated local PMC address space 0xF000_0000 to 0xF7FF_FFFF (128 MB).

Table 51: Versal ACAP 4 GB Address Map by Name (cont'd)

Destination	Type	Address Range		Size (KB)	Feature	Description
		Start	End			
PMC1_alias	mmap	0x001_0800_0000	0x001_0FFF_FFFF	128 MB	SSIT	Alias address to SSIT PMC 1 (HN-D)
PMC2_alias	mmap	0x001_1000_0000	0x001_17FF_FFFF	128 MB	SSIT	Alias address to SSIT PMC 2 (HN-D)
PMC3_alias	mmap	0x001_1800_0000	0x001_1FFF_FFFF	128 MB	SSIT	Alias address to SSIT PMC 3 (HN-D) (aka AFIFM4)
PMC_AES	reg	0xF11E_0000	0xF11E_FFFF	64 KB	Std	AES Module (controlled under NDA) (aka HSDP_AURORA)
PMC_ANLG	reg	0xF116_0000	0xF119_FFFF	256 KB	Std	PMC analog control
PMC_BBRAM_CTRL	reg	0xF11F_0000	0xF11F_FFFF	64 KB	Std	Batter-backed RAM, BBRAM (controlled under NDA) (aka ADMA)
PMC_DMA0_CSR	reg	0xF11C_0000	0xF11C_FFFF	64 KB	Std	PMC DMA 0 Control
PMC_DMA1_CSR	reg	0xF11D_0000	0xF11D_FFFF	64 KB	Std	PMC DMA 1 Control
PMC_ECDSA_RSA	reg	0xF120_0000	0xF120_FFFF	64 KB	Std	ECDSA and RSA control (controlled under NDA)
PMC_EFUSE_CACHE	reg	0xF125_0000	0xF125_FFFF	64 KB	Std	eFuse Cache (mostly controlled under NDA)
PMC_EFUSE_CTRL	reg	0xF124_0000	0xF124_FFFF	64 KB	Std	eFuse Control Unit (partially controlled under NDA)

Table 51: Versal ACAP 4 GB Address Map by Name (cont'd)

Destination	Type	Address Range		Size (KB)	Feature	Description
		Start	End			
PMC_GLOBAL	reg	0xF111_0000	0xF115_FFFF	320 KB	Std	PMC Global registers
PMC_GPIO	reg	0xF102_0000	0xF102_FFFF	64 KB	Std	General Purpose I/O in PMC
PMC_INT_CSR	reg	0xF133_0000	0xF15A_FFFF	2.5 MB	Std	PMC reset and isolation interconnect ports
PMC_INT_GPV	reg	0xF132_0000	0xF132_FFFF	64 KB	Std	PMC Interconnect Global Programmers View (GPV)
PMC_IOP_INT_GPV	reg	0xF108_0000	0xF108_FFFF	64 KB	Std	PMC IOP Interconnect Global Programmers View (GPV)
PMC_IOP_SLCR	reg	0xF106_0000	0xF106_FFFF	64 KB	Std	PMC IOP SLCR registers, non-secure
PMC_IOP_SLCR_SECURE	reg	0xF107_0000	0xF107_FFFF	64 KB	Std	PMC IOP SLCR registers, secure
PMC_JTAG_CSR	reg	0xF11A_0000	0xF11B_FFFF	128 KB	Std	PMC JTAG TAP control
PMC_LOCAL	reg	0xF004_0000	0xF004_FFFF	64 KB	Std	PMC Local registers
PMC_PUF	reg	0xF005_0000	0xF005_FFFF	64 KB	Std	PUF control registers
PMC_Peripherals	mmap	0xF100_0000	0xF8FF_FFFF	128 MB	Std	PMC Peripheral Register Modules
PMC_RAM_CSR	reg	0xF110_0000	0xF110_FFFF	64 KB	Std	PMC On-chip Memory configuration

Table 51: Versal ACAP 4 GB Address Map by Name (cont'd)

Destination	Type	Address Range		Size (KB)	Feature	Description
		Start	End			
PMC_RAM_mem	mem	0xF200_0000	0xF201_FFFF	128 KB	Std	PMC RAM (128 KB) - Note: The usage of this memory is defined by the PLM.
PMC_RTC	reg	0xF12A_0000	0xF12A_FFFF	64 KB	Std	RTC Registers
PMC_SBI_STREAM_mem	mem	0xF210_0000	0xF210_FFFF	64 KB	Std	SBI Stream memory
PMC_SYSMON_CSR	reg	0xF127_0000	0xF129_FFFF	192 KB	Std	PMC System Monitor control
PMC_TRNG	reg	0xF123_0000	0xF123_FFFF	64 KB	Std	True Random Number Generator (controlled under NDA)
PMC_XMPU	reg	0xF12F_0000	0xF12F_FFFF	64 KB	Std	PMC Memory Protection Unit
PMC_XPPU	reg	0xF131_0000	0xF131_FFFF	64 KB	Std	PMC Peripheral Protection Unit
PMC_XPPU_NPI	reg	0xF130_0000	0xF130_FFFF	64 KB	Std	NPI Host Memory Protection Unit
PPU_DCACHE_CTRL	reg	0xF028_2000	0xF028_2FFF	4 KB	Std	PPU Data Cache ECC control
PPU_ICACHE_CTRL	reg	0xF028_1000	0xF028_1FFF	4 KB	Std	PPU Instruction Cache ECC control
PPU_IOMODULE	reg	0xF028_0000	0xF028_0FFF	4 KB	Std	PPU I/O Module registers
PPU_MDM	reg	0xF031_0000	0xF031_7FFF	32 KB	Std	PPU Debug Module control
PPU_RAM_DATA_mem	mem	0xF024_0000	0xF025_FFFF	128 KB	Std	PPU D-cache Addressable

Table 51: Versal ACAP 4 GB Address Map by Name (cont'd)

Destination	Type	Address Range		Size (KB)	Feature	Description
		Start	End			
PPU_TMR_INJECT	reg	0xF028_4000	0xF028_4FFF	4 KB	Std	PPU Triple Redundancy Error Injection
PPU_TMR_MANAGER	reg	0xF028_3000	0xF028_3FFF	4 KB	Std	PPU Triple Redundancy Manager
PPU_TMR_TRACE	reg	0xF030_0000	0xF030_0FFF	4 KB	Std	PPU Trace
PSM_DCACHE_ECC	reg	0xFFCB_0000	0xFFCB_FFFF	64 KB	Std	PSM D-cache ECC control
PSM_DCACHE_mem	mem	0xFFC2_0000	0xFFC3_FFFF	128 KB	Std	PSM D-cache Addressable
PSM_GLOBAL	reg	0xFFC9_0000	0xFFC9_EFFF	60 KB	Std	PSM Global registers
PSM_ICACHE_ECC	reg	0xFFCA_0000	0xFFCA_FFFF	64 KB	Std	PSM I-cache ECC control
PSM_ICACHE_mem	mem	0xFFC0_0000	0xFFC1_FFFF	128 KB	Std	PSM I-cache Addressable
PSM_INT_GPV	reg	0xFFC9_F000	0xFFC9_FFFF	4 KB	Std	PSM Interconnect Global Programmers View (GPV)
PSM_IOMODULE	reg	0xFFC8_0000	0xFFC8_7FFF	32 KB	Std	PSM I/O Module registers
PSM_LOCAL	reg	0xFFC8_8000	0xFFC8_FFFF	32 KB	Std	PSM Local registers
PSM_MDM	reg	0xFFCF_0000	0xFFCF_FFFF	64 KB	Std	PSM Debug Module control
PSM_Peripherals_Memory	mmap	0xFFC0_0000	0xFFCF_FFFF	1 MB	Std	PSM Memories and Register Modules
PSM_TMR_INJECT	reg	0xFFCD_0000	0xFFCD_FFFF	64 KB	Std	PSM Triple Redundancy Error Injection

Table 51: Versal ACAP 4 GB Address Map by Name (cont'd)

Destination	Type	Address Range		Size (KB)	Feature	Description
		Start	End			
PSM_TMR_MANAGER	reg	0xFFCC_0000	0xFFCC_FFFF	64 KB	Std	PSM Triple Redundancy Manager
PSM_TMR_TRACE	reg	0xFFCE_0000	0xFFCE_FFFF	64 KB	Std	PSM Trace Module control
PS_PL_high	mmap	0x400_0000_0000	0x4FF_FFFF_FFFF	1 TB	Std	PS to PL Memory Space
PS_PL_mmap	mmap	0x400_0000_0000	0x4FF_FFFF_FFFF	1 TB	Std	PS to PL Memory Space
QSPI	reg	0xF103_0000	0xF103_FFFF	64 KB	Std	Quad-SPI control
RPU0_DCACHE_mem	mem	0xFFE5_0000	0xFFE5_7FFF	32 KB	Std	RPU0 data cache lock-step and dual modes
RPU0_ICACHE_mem	mem	0xFFE4_0000	0xFFE4_7FFF	32 KB	Std	RPU0 instruction cache lock-step and dual modes
RPU0_TCMA_mem	mem	0xFFE0_0000	0xFFE0_FFFF	64 KB	Std	RPU0 TCM A lock-step and dual modes
RPU0_TCMA_mem_lockstep	mem	0xFFE1_0000	0xFFE1_FFFF	64 KB	Std	RPU0 TCM A lock-step mode

NoC Address Map

The NoC address map includes all of the destinations within the device for access to DDR, and optional hardware including AI Engine, video decoder unit, and many different peripherals.

Table 52: Versal ACAP NoC Address Map

Destination	Address Range		Size (KB)	Description
	Start	End		
PMC0_alias	0x001_0000_0000	0x001_07FF_FFFF	128 MB	Alias address to base PMC 0 (HN-D) Note: All four alias regions provide a window into associated local PMC address space 0xF000_0000 to 0xF7FF_FFFF (128 MB). (enr name: PMC alias region 0)
PMC1_alias	0x001_0800_0000	0x001_0FFF_FFFF	128 MB	Alias address to SSIT PMC 1 (HN-D) (enr name: PMC alias region 1)
PMC2_alias	0x001_1000_0000	0x001_17FF_FFFF	128 MB	Alias address to SSIT PMC 2 (HN-D) (enr name: PMC alias region 2)
PMC3_alias	0x001_1800_0000	0x001_1FFF_FFFF	128 MB	Alias address to SSIT PMC 3 (HN-D) (enr name: PMC alias region 3)
FPD_AXI_PL_high	0x004_0000_0000	0x005_FFFF_FFFF	8 GB	PS FPD-to_PL AXI Interface, High Region (enr name: PS_TO_PL_0)
PCIe0_region1	0x006_0000_0000	0x007_FFFF_FFFF	8 GB	PCIe Region 1 (enr name: PCIe region 1)
DDRMC0_region1_mem	0x008_0000_0000	0x00F_FFFF_FFFF	32 GB	DDR Memory Controller 0, Region 1 (enr name: DDR)
HBM0	0x040_0000_0000	0x04F_FFFF_FFFF	64 GB	High-bandwidth Memory Controller 0 (HN-F port)
HBM1	0x050_0000_0000	0x05F_FFFF_FFFF	64 GB	High-bandwidth Memory Controller 1 (HN-F port)
HBM2	0x060_0000_0000	0x06F_FFFF_FFFF	64 GB	High-bandwidth Memory Controller 2 (HN-F port)
HBM3	0x070_0000_0000	0x07F_FFFF_FFFF	64 GB	High-bandwidth Memory Controller 3 (HN-F port)

Table 52: Versal ACAP NoC Address Map (cont'd)

Destination	Address Range		Size (KB)	Description
	Start	End		
PCIe_region_2	0x080_0000_0000	0x0BF_FFFF_FFFF	256 GB	PCIe Region 2 (engr name: PCIe region 2)
DDRMC0_region_2_mem	0x0C0_0000_0000	0x0FF_FFFF_FFFF	256 GB	DDR Memory Controller 0, Region 2 (engr name: DDR)
DDRMC0_region_3_mem	0x100_0000_0000	0x1B7_7FFF_FFFF	734 GB	DDR Memory Controller 0, Region 3 (engr name: DDR)
AI_Engine	0x200_0000_0000	0x200_FFFF_FFFF	4 GB	4 GB region to program AI Engine. 4x1GB, aliased. (engr name: AI Programming)
NOC_AXI_PL	0x201_0000_0000	0x3FF_FFFF_FFFF	2044 GB	Note: A CPU access to these regions can be marked as normal or device type and correct ordering is maintained. (engr name: PL-via NoC)
PS_PL_high	0x400_0000_0000	0x4FF_FFFF_FFFF	1 TB	PS to PL Memory Space (engr name: PS_TO_PL_1)
DDRMC1_region0_mem	0x500_0000_0000	0x57F_FFFF_FFFF	512 GB	DDR memory controller 1, region 0 (engr name:)
DDRMC1_region1_mem	0x580_0000_0000	0x5FF_FFFF_FFFF	512 GB	DDR memory controller 1, region 1 (engr name:)
DDRMC2_region0_mem	0x600_0000_0000	0x67F_FFFF_FFFF	512 GB	DDR memory controller 2, region 0 (engr name:)
DDRMC2_region1_mem	0x680_0000_0000	0x6FF_FFFF_FFFF	512 GB	DDR memory controller 2, region 1 (engr name:)
DDRMC3_region0_mem	0x700_0000_0000	0x77F_FFFF_FFFF	512 GB	DDR memory controller 3, region 0 (engr name:)
DDRMC3_region1_mem	0x780_0000_0000	0x7FF_FFFF_FFFF	512 GB	DDR memory controller 3, region 1 (engr name:)

Register Programming Interfaces

There are several types of programming interfaces to configure and control the various functional units in the device:

- [APB, AXI Programming Interfaces](#) with single 32-bit read/write access
- [NPI Programming Interface](#) with burst 32-bit read/write access
- [PL CFU Programming Interface](#) with its 128-bit read/write port

List of Programming Interfaces by Block

The programming interface type used for each block are listed in the following table.

Note: Not all blocks are present in all devices. See the *Versal Architecture and Product Data Sheet: Overview (DS950)* for a guide.

Table 53: Programming Interfaces for All Blocks

Block	Primary Programming Interface Type	PL-based Interface Option	Notes
All platform management controller and processing system blocks	APB	-	
CPM-PCIe	Mostly APB NPI for NoC interface	APB	
PL interconnect	CFU	-	
PL CLE	CFU	-	
PL Block RAM, UltraRAM	CFU	-	
MRMAC/DRMAC	CFU	APB	
Interlaken	CFU	APB	
SDFEC	-	AXI4-Lite	
HDIO	CFU	-	
HDIO DPLLs	CFU	APB	
Other DPLLs	NPI	-	
NoC	NPI	-	NoC channel configuration
GT	NPI	APB	

Table 53: Programming Interfaces for All Blocks (cont'd)

Block	Primary Programming Interface Type	PL-based Interface Option	Notes
DDRMC	NPI	-	DDR memory controller
HBM	NPI	-	
XPipe, CPipe	NPI	-	
XPHY	NPI	APB	
XPIO, XPLL	NPI	-	
MMCM, BUFG	NPI	APB	
Miscellaneous clocks	NPI	-	BUFGS, PLL, PHY, GT, VNOC, CORE
DAC, ADC	NPI	APB	
AI Engine configuration	NPI	-	
AI Engine code, data	NoC	-	

APB, AXI Programming Interfaces

The PMC, PS/PSX, and CPMx interconnect enables software to access the APB and AXI-based control and status registers. Most functional units use an APB programming interface; some use an AXI interface. The programming interfaces are scattered throughout the platform management system and processing system interconnect. The access to the programming interfaces is protected with fixed security and programmable security provided by XPPU and XMPU protection units.

The register modules are accessed using 32-bit read/write transactions on the AXI interconnect. The transactions are usually routed through an XPPU or XMPU protection unit and then to a local APB switch for distribution to the APB programming interfaces. The AXI programming interfaces connect to AXI switches. Several register modules are always secure and can further restrict access to them.

Interrupts from each functional unit are signaled directly to the system interrupt controllers in the FPD, LPD, PMC, and to the PL fabric.



RECOMMENDED: Xilinx recommends performing a read-modify-write to registers that include reserved or missing fields in the register reference manuals.

Memory-mapped Register Access Types

The memory-mapped (MM) register can be read, write, or have another access type as shown in the following table.

Table 54: Memory-mapped Register Access Types

Access Type	Description
R	Read-only
W	Write-only
RW	Read and write
WTC or W1C	Write 1 to clear (readable unless noted)

NPI Programming Interface

The NoC peripheral interconnect (NPI) provides software with a programming interface path to configure hardware in the SoC domain. The NPI host controller has a large memory space in the PMC to accommodate the register modules for the DDR memory controllers, the optional integrated hardware and peripherals, the I/O, and other hardware. Access to the NPI host controller is managed by the XPPU_NPI_XPPU protection unit. During boot, the NPI is configured when the PMC PLM sends the programmable device image (PDI) NPI partition information to the NPI host controller.

The NPI bus structure is in the SoC power domain and operates completely independent of the NoC interconnect.

Features

The NPI features include:

- Read/write pathway to the programming control and status registers (PCSRs)
- Burst read/write transactions
- Ordered reads and writes
- Early write-response with interrupt error signaling is supported by the PLM firmware in the PPU. The PLM performs writes using EWR at times when there are no other transactions occurring.

System Interrupt

If an NPI register module detects an access decode error, or generates a system interrupt, it is signaled back to the NPI host controller. The system interrupts are routed to several destinations as listed in the [System Interrupt Controllers](#) section.

CFU Programming Interface

The PL adaptable hardware, fabric connections, clocks, and other integrated hardware are programmed using the configuration frame unit (CFU). The software programming interface to the CFU is defined by the [CFU_CSR](#) register set. The CFU receives data files and generates configuration frames (CFRAME). These packets are transmitted to the PL hardware on the internal configuration frame interface (CFI). This programs the integrated hardware, clocking structures, I/O, and peripherals in the PL.

The PL building blocks are listed in [PL Fabric Overview](#) with references to related documents.

Generally, the CFU programming is managed by the PMC PLM from the user PDI and no additional user management is required to configure the PL. For specific advanced use cases, the configuration and reconfiguration of the PL is done by the [Dynamic Function eXchange](#) software functionality.

NPI Register Modules

The NPI programming registers are accessed by the NPI host controller located in the PMC.

The NPI registers are addressable in the 32-MB memory space starting at base address 0xF600_0000.

Access to the NPI host controller is protected by the NPI_XPPU protection unit in the PMC main switch. Burst accesses are supported to this address space.

Note: The NPI host controller is located in the PMC.

The NPI-based registers are separate from the APB-based PMC and PS registers. The NPI registers are listed in the following table.

Table 55: NPI Register Modules

Interface	Size (KB)	Base Address	Notes
NoC_NMU_0	8192	0xF601_0000	
NoC_NMU_1	8192	0xF601_2000	
NoC_NMU_2	8192	0xF601_4000	
NoC_NMU_3	8192	0xF601_6000	
Reserved	32768	0xF601_8000	
NoC_NSU_0	8192	0xF602_1000	
NoC_NSU_1	8192	0xF602_2000	
Reserved	49152	0xF602_3000	
Reserved		0xF602_4000	
NoC_NSU_2	8192	0xF60D_0000	
NoC_NSU_3	8192	0xF60D_2000	
Reserved	49152	0xF60D_4000	
NoC_NMU_4	8192	0xF60E_0000	
NoC_NMU_5	8192	0xF60E_2000	
NoC_NSU_4	8192	0xF60E_4000	
NoC_NSU_5	8192	0xF60E_6000	
Reserved	32768	0xF60E_8000	
NoC_NMU_6	8192	0xF60F_0000	
NoC_NMU_7	8192	0xF60F_2000	
NoC_NMU_8	8192	0xF60F_4000	

Table 55: NPI Register Modules (cont'd)

Interface	Size (KB)	Base Address	Notes
NoC_NMU_9	8192	0xF60F_6000	
Reserved	32768	0xF60F_8000	
		0xF610_0000	

Signals, Interfaces, Pins, and Controls

This section includes these chapters:

- [Power and PMC Dedicated Pins](#)
- [Multiplexed I/O Signals and Pins](#)

Packaging and Pinouts Architecture Manual

A description of the device packages and device pinouts are described in the *Versal ACAP Packaging and Pinouts Architecture Manual* ([AM013](#)).

Power and PMC Dedicated Pins

This chapter includes:

- [PMC Dedicated Pins](#) for system bring-up, control, and monitoring
- [Power Pins](#) for the device

Power Pins

The power pins include major power domains for the logic, the small circuits for analog and digital circuits, and the power for I/O blocks.

Inter-Dependencies

The power domain inter-dependencies are described in the [Power](#) chapter, including how the power pins connect to the power domains as shown in the [Power Diagram](#) section.

Electrical Specifications

The power pin specifications are provided in the data sheets listed in [References](#).

Power Design Tools

For current designs with the Versal device, see the Xilinx Power Estimator (XPE) design tool for estimating power consumption and providing power sequence and thermal information.

For more information about power design, see <https://www.xilinx.com/power>.

Pin List

The power pins are listed in the following table.

Table 56: Power Pins

Pin Name	Power Supply Description
Platform Management Controller	
VCC_BATT	Battery-backed power domain. When VCC_BATT is not used, connect to ground.

Table 56: Power Pins (cont'd)

Pin Name	Power Supply Description
VCC_FUSE	eFUSE programming. Ideally VCC_FUSE should only be powered up when eFUSE programming is being done. If not programming eFUSE in the field, VCC_FUSE should be connected to ground.
VCC_PMC	PMC power domain
VCCAUX_PMC	Auxiliary for the PMC
VCCAUX_SMON	Analog for the ADC and other analog circuits in the system monitor
VCCO_500	PMC MIO bank 0 with dedicated analog signals DIO_A
VCCO_501	PMC MIO bank 1
VCCO_503	PMC dedicated I/O (DIO) bank
Processing System	
VCC_PSPF	PS full-power domain (FPD)
VCC_PSLP	PS low-power domain (LPD)
VCCO_502	LPD MIO bank PS (bank 502)
Programmable Logic	
VCC_RAM	Block RAM, UltraRAM, and PL clocking network
VCC_SOC	NoC, NPI, and DDRMC SoC power domain (SPD)
VCCAUX	Auxiliary circuits
VCCINT	Internal logic (programmable logic, AI Engine, and CPM4)
I/O Connectivity	
VCC_IO	XPIO banks
VCCO_[bank number]	PL HDIO output drivers (per bank)
GTx_AVCC	Analog transceiver internal circuits (GTy, GTYP, and GTM transceivers)
GTx_AVCCAUX	Auxiliary analog transceivers
GTx_AVTT	Analog transmit driver
GTx_AVTTRCAL	Analog resistor calibration

PMC Dedicated Pins

There are two sets of PMC dedicated pins:

- 15 dedicated digital pins, DIO
- 4 dedicated analog pins, DIO_A

The DIO pins are on the bank_503 package bank. These pins provide functions such as boot mode selection, external reference clock input, power-on reset input, JTAG interface, status signals, error signals, and crystal oscillator pins for the real-time clock (RTC).

The DIO_A pins are on the bank_500 bank along with the digital PMC MIO bank 0 pins. The analog pins are for the system monitor voltage reference. The analog reference pins use the VCCO and ground for ESD protection only.

DIO Pins on Bank 503

The following table lists these dedicated digital I/O pins.

Table 57: PMC Dedicated Digital Pins, DIO

Pin Name	Direction	Description
DONE	Output	The DONE pin is an output-only, open-drain signal with a weak internal pull-up. An external pull-up is recommended. DONE is controlled by the DONE register. After POR, the DONE signal is Low. When the PLM successfully completes the boot sequence, the software sets the [DONE] bit High, which causes the output buffer to float and be pulled High externally.
ERROR_OUT	Output	The ERROR_OUT pin is an output-only, open-drain signal with a weak internal pull-up. An external pull-up is recommended. When an error occurs in the device, the ERROR_OUT signal is put in a High-Z state and pulled High. The specific errors that cause this pin to assert can be determined and programmed by software.
MODE[3:0]	Input	The MODE[3:0] pins are used to select the boot mode for the device. The value of these pins is captured on the rising edge of POR_B. See Boot Modes for available boot mode details.
POR_B	Input	The active-Low POR_B pin is the global power-on reset for the Versal ACAP. POR_B must remain asserted Low until power is fully applied to at least the VCC_PMC, VCCAUX_PMC, and VCCO_503. When the reset is released, the PMC begins the initialization and boot process.
PUDC_B	Input	The active-Low PUDC_B (pull-up during configuration) pin is used to select the behavior of the programmable logic (PL) I/O during configuration. If the PUDC_B pin is High, the PL I/O are put into 3-state mode. If the PUDC_B is Low, internal pull-ups at each programmable logic I/O are enabled. The PUDC_B pin does not affect the PS or PMC I/O during boot and configuration.
REF_CLK	Input	System reference clock pin. The system reference clock is required for all boot modes.
RTC_PADI	Input	RTC crystal input pin.
RTC_PADO	Output	RTC crystal output pin.
TCK	Input	JTAG test clock pin.
TDI	Input	JTAG test data input pin.
TDO	Output	JTAG test data output pin.
TMS	Input	JTAG test mode select pin.
I2C, I3C?		Dedicated interface

DIO_A on Bank 500

The analog pins are used by the system monitor.

Note: The DIO_A pins and the PMC MIO bank 0 pins share the same package voltage bank, VCCO_500. However, the analog pins only use the VCCO_500 bank for ESD protection.

Table 58: Dedicated Analog Pins, DIO_A

Pin Name	Power Connection	Description
SYSMON_VREFN	Ground voltage reference	ADC reference voltage, negative (optional)
SYSMON_VREFP	Positive voltage reference	ADC reference voltage, positive
SYSMON_VN	Differential voltage	System monitor analog input, negative
SYSMON_VP		System monitor analog input, positive

Multiplexed I/O Signals and Pins

The multiplexed I/O (MIO) signals include connections from peripherals in the PMC and PS to the MIO pins and the extended MIO (EMIO) signals to the PL fabric.

Program the MIO routing registers for each peripheral controller I/O interface that is required. There are three MIO banks (total of 78 signals) that connect I/O peripherals in the PMC and LPD to the device pins.

If an I/O interface is not routed via an MIO pin, then its interface signal is available on the PL fabric on the EMIO interface. Some of these situations are described in [MIO-EMIO Interface Routing Options](#).

MIO-at-a-Glance

MIO Device Pins

There are 78 sets of signals to control the MIO pins.

- 52 signals in the PMC MIO (banks 500 and 501)
- 26 signals in the LPD MIO (bank 502)

Signal Route Control

Many of the IOP controller and other signals are routed to the EMIO by default if they are not specifically routed to MIO pins. The routing for each MIO pin is controlled by a single register, MIO_PIN_xx.

- Register module with 52 control registers for 52 PMC MIO pins: [PMC_IOP_SLCR](#)
- Register module with 26 control registers for 26 LPD MIO pins: [LPD_IOP_SLCR](#)

Note: The MIO signals for the LPD-based controllers can be routed to either the LPD or PMC MIO banks. The selection is done using the [LPD_MIO_Sel](#) register. The MIO interface pins for the PMC-based controllers can only be routed through PMC MIO pins.

PL EMIO Signal Route

Some interfaces and signals also go to the PL, and for most interfaces, these are listed in the [MIO-EMIO Interface Routing Options](#) section.

MIO Pin Assignments By Banks

The MIO pin assignments are shown in the following tables with links to the chapter sections that list the I/O interface signals.

Note: The pins that can connect to a primary boot device are shaded in the following tables. See [Boot Modes](#) section for exact pin usages.

- Bank 500 includes QSPI, OSPI, and eMMC1 boot interfaces
- Bank 501 includes SD0 and SD1 boot interfaces

Note: The SelectMAP interface has a programmable width that might include one or more PMC MIO banks.

- 8-bit interface is on the PMC MIO bank 500
- 16-bit and 32-bit interfaces require both PMC banks 500 and bank 501

Table 59: PMC MIO (Bank 500)

PMC MIO Pins:	0	1	2	3	4	5	6	7	8	9	10	11	12	13	14	15	16	17	18	19	20	21	22	23	24	25	
Controllers in PMC Power Domain																											
Quad SPI	0	1	2	3	4	5	6	7	8	9	10	11	12														
Octal SPI	0	1	2	3	4	5	6	7	8	9	10	11	12														
SD_eMMC_0														4	5	6	7	12	2	8	9	10	11	3	1	0	
SD_eMMC_1	2	0	1	3	4	5	6	7	8	9	10	11	12														
SelectMAP															0	1	2	3	32	33	34	35	4	5	6	7	
Tamper Trig													0	0									0	0			
PMC_I2C			0	1			0	1			0	1			0	1			0	1			0	1			
PMC_GPIO	0	1	2	3	4	5	6	7	8	9	10	11	12	13	14	15	16	17	18	19	20	21	22	23	24	25	
Controllers in Low Power Domain																											
LPD_GPIO																											
GEM0																											
GEM1																											
GEM MDIO																											
GEM TSU Clock																											
CAN0	0	1			0	1			0	1			0	1			0	1			0	1					
CAN1			1	0			1	0			1	0			1	0			1	0			1	0			
LPD_I2C0			0	1			0	1			0	1			0	1			0	1			0	1			
LPD_I2C1	0	1			0	1			0	1			0	1			0	1			0	1					
SYSMON_I2C	0	1	2		0	1	2			0	1	2			0	1	2			0	1	2			0	1	2
PCIe resets																										0	1
SPI0	5	4	3	2	1	0							5	4	3	2	1	0									
SPI1						5	4	3	2	1	0								5	4	3	2	1	0			
Trace Port					1	2	0	3	4	5	6	7	8	9	10	11	12	13	14	15	16	17					
TTC0						0	1								0	1								0	1		
TTC1					0	1							0	1								0	1				
TTC2			0	1								0	1							0	1						
TTC3	0	1							0	1							0	1									
UART0	0	1	2	3					0	1	2	3					0	1	2	3							
UART1					1	0	3	2					1	0	3	2						1	0	3	2		
USB 2.0														12	4	5	6	7	0	8	9	10	11	1	2	3	
LPD SWDT	0	1	2	3	4	5							0	1	2	3	4	5									
FPD SWDT						0	1	2	3	4	5									0	1	2	2	4	5		

Note: PMC MIO pin 21 is correctly shown with route to the FPD_SWDT_RST_PEND output.

Table 60: PMC MIO (Bank 501)

PMC MIO Pins:	26	27	28	29	30	31	32	33	34	35	36	37	38	39	40	41	42	43	44	45	46	47	48	49	50	51	
Controllers in PMC Power Domain																											
Quad SPI																											
Octal SPI																											
SD_eMMC_0												0	2	1	3	4	5	6	7	8	9	10	11	12			
SD_eMMC_1	2	11	1	3	4	5	6	7	8	9	10														0	12	
SelectMAP			8	9	10	11	12	13	14	15	16	17	18	19	20	21	22	23	24	25	26	27	28	29	30	31	
Tamper Trig	0											0													0	0	
PMC_I2C	0	1			0	1			0	1			0	1			0	1			0	1			0	1	
PMC_GPIO	26	27	28	29	30	31	32	33	34	35	36	37	38	39	40	41	42	43	44	45	46	47	48	49	50	51	
Controllers in Low-power Domain																											
LPD_GPIO																											
GEM0	0	1	2	3	4	5	6	7	8	9	10	11															
GEM1													0	1	2	3	4	5	6	7	8	9	10	11			
GEM MDIO																									0	1	
GEM TSU Clock																									0	0	
CAN0	0	1			0	1			0	1			0	1			0	1			0	1					
CAN1			1	0			1	0			1	0			1	0			1	0			1	0			
LPD_I2C0	0	1			0	1			0	1			0	1			0	1			0	1					
LPD_I2C1			0	1			0	1			0	1			0	1			0	1			0	1			
SYSMON_I2C	0	1	2		0	1	2			0	1	2		0	1	2			0	1	2			0	1	2	
PCIe resets													0	1													
SPI0	5	4	3	2	1	0							5	4	3	2	1	0									
SPI1							5	4	3	2	1	0							5	4	3	2	1	0			
Trace Port					1	2	0	3	4	5	6	7	8	9	10	11	12	13	14	15	16	17					
TTC0						0	1								0	1							0	1			
TTC1					0	1							0	1								0	1				
TTC2			0	1							0	1							0	1							
TTC3	0	1							0	1							0	1									
UART0	0	1	2	3					0	1	2	3					0	1	2	3							
UART1					1	0	3	2					1	0	3	2					1	0	3	2			
USB 2.0																											
LPD SWDT	0	1	2	3	4	5							0	1	2	3	4	5									
FPD SWDT							0	1	2	3	4	5								0	1	2	3	4	5		

Table 61: LPD MIO (Bank 502)

LPD MIO Pins:	0	1	2	3	4	5	6	7	8	9	10	11	12	13	14	15	16	17	18	19	20	21	22	23	24	25		
Controllers in PMC Power Domain																												
Quad SPI																												
Octal SPI																												
SD_eMMC_0																												
SD_eMMC_1																												
SelectMAP																												
Tamper Trig																												
PMC_I2C																												
PMC_GPIO																												
Controllers in Low-power Domain																												
LPD_GPIO	0	1	2	3	4	5	6	7	8	9	10	11	12	13	14	15	16	17	18	19	20	21	22	23	24	25		
GEM0	0	1	2	3	4	5	6	7	8	9	10	11																
GEM1													0	1	2	3	4	5	6	7	8	9	10	11				
GEM MDIO																										0	1	
GEM TSU Clock																										0	0	
CAN0			0	1			0	1			0	1			0	1			0	1			0	1				
CAN1	1	0			1	0			1	0			1	0			1	0			1	0			1	0		
LPD_I2C0			0	1			0	1			0	1			0	1			0	1			0	1				
LPD_I2C1	0	1			0	1			0	1			0	1			0	1			0	1			0	1		
SYSMON_I2C	0	1	2		0	1	2			0	1	2			0	1	2			0	1	2			0	1	2	
PCIe resets																				0	1							
SPI0	5	4	3	2	1	0							5	4	3	2	1	0										
SPI1							5	4	3	2	1	0							5	4	3	2	1	0				
Trace Port			1	2	3	4	0	5	6	7	8	9	10	11					12	13	14	15	16	17				
TTC0						0	1								0	1								0	1			
TTC1				0	1								0	1								0	1					
TTC2			0	1								0	1								0	1						
TTC3	0	1							0	1							0	1										
UART0	0	1	2	3					0	1	2	3					0	1	2	3								
UART1					1	0	3	2					1	0	3	2					1	0	3	2				
USB 2.0																												
LPD SWDT	0	1	2	3	4	5							0	1	2	3	4	5										
FPD SWDT						0	1	2	3	4	5									0	1	2	3	4	5			

MIO Routing Considerations

Note: There are several important MIO pin assignment considerations. The MIO-at-a-Glance table and the I/O pin assignment considerations are helpful for pin planning. Each I/O peripheral chapter includes individual MIO signal tables for each controller/unit that uses the MIO pins. The MIO-at-a-Glance table includes links to these individual MIO signal tables.

I/O Interface Group

I/O interfaces include bus protocol signals with timing specifications and signals without timing requirements. The signals with timing requirements must be routed to the device pins as a group. The MIO pin groupings are shown in the individual MIO tables in the I/O peripheral chapters. The non-timing related signals can be split up and routed individually through an MIO or EMIO.

The pin groupings are shown in the columns of the individual MIO signal tables in various chapters. Select one table column of pin assignments for the timing-sensitive signals, and do not mix and match column entries.

For I/O signals without a timing specification (e.g., write protect, card detect, etc.), their own individual pinout routing can be used.

Peripheral Interface Frequencies

The clocking frequency for an interface usually depends on the device speed grade and whether the interface is routed through the MIO or EMIO. Nominal interface frequencies are usually included in the associated chapter with some restrictions for EMIO routing shown in the [MIO-EMIO Interface Routing Options](#) table. The I/O timing specifications are provided in the Versal ACAP data sheets listed in [References](#).

Boot Device Selection

The boot device options shaded in the [MIO-at-a-Glance](#) table and are listed in the [Boot Modes](#) chapter.

MIO-EMIO Interface Routing Options

The I/O interfaces for the IOP controllers and other units are routed to the PMC and LPD MIO multiplexers. Some signals can be routed to the EMIO interface to the PL. Some IOP interfaces and signals are only available on the MIO (e.g., quad SPI). Other I/O signals are only available on the EMIO interface (e.g., LPD DMA handshake control).

The routing is configured by the registers in the [PMC_IOP_SLCR](#) and [LPD_IOP_SLCR](#) register sets. The interfaces and signals that are routed through the MIO-EMIO are listed in the following table with their I/O interface routing options.

Table 62: MIO-EMIO Interface Routing Options

Interface or Signal	Controller Location	Access			Notes
		PMC MIO	LPD MIO	EMIO	
CAN_FD0 CAN_FD1	LPD	Yes	Yes	Yes	
GEM0 GEM1	LPD	Yes	Yes	-	RGMII
		-	-	Yes	GMII/MII, TSU, and external FIFO
		Yes	Yes	Yes	MDIO
LPD DMA	LPD	-	-	Yes	Flow control
PMC_GPIO	PMC	Yes	-	-	PMC GPIO Banks 0, 1 (no bank 2)
		-	-	Yes	PMC GPIO Banks 3, 4
LPD_GPIO	LPD	-	Yes	-	LPD GPIO Bank 0 (no banks 1, 2)
		-	-	Yes	LPD GPIO Bank 3
LPD_I2C0 LPD_I2C1	LPD	Yes	Yes	Yes	
PMC_I2C	PMC	Yes	-	Yes	
Octal SPI	PMC	Yes		-	
SD/eMMC0 SD/eMMC1	PMC	Yes	-	Yes	The clock frequency for the EMIO interface is <= 25 MHz
SelectMAP	PMC	Yes	-	-	
SPIO SPI1	LPD	Yes	Yes	Yes	
Quad SPI	PMC	Yes	-	-	
CoreSight™ Trace Out	FPD	16-bit	16-bit	32-bit	
TTC0 TTC1 TTC2 TTC3	LPD	Yes	Yes	Yes	Clock in and wave out
UART0 UART1	LPD	Yes	Yes	Yes	MIO only includes RX, TX, CTS, and RTS
USB_2.0	LPD	Yes	-	-	ULPI
LPD_SWDT	LPD	Yes	Yes	Yes	(SWDT0)
FPD_SWDT	FPD	~	~	~	(SWDT1)

MIO Pin Buffer Controls

Each MIO pin buffer has several register controls:

- Internal pull-up and pull-down
- Schmitt trigger input enable
- Output enable
- Output drive strength

The characteristics are individually controlled.

- [PMC_IOP_SLCR](#) register module for the PMC MIO pins, PMC MIO bank 0 and 1
 - PMC MIO pins 0 to 25, PMC MIO bank 0
 - PMC MIO pins 26 to 51, PMC MIO bank 1
- [LPD_IOP_SLCR](#) register module for the LPD MIO pins
 - LPD MIO pins 0 to 25, LPD MIO bank 2

The control registers are listed in these sections:

- [Input Buffer Control Registers](#)
- [Output Buffer Control Registers](#)

Input Buffer Control Registers

The buffer input control registers include:

- Internal pull-up enable
- Internal pull-down enable
- Schmitt trigger enable

There is also a voltage mode status bit for each MIO bank. This does not affect the functionality of the I/O buffer.

Internal Pull-up and Pull-down Enables

Each I/O buffer has a weak pull-up and pull-down option. If both the pull-up and pull-down bits are set = 1, the I/O buffer weakly holds the output to its last driven state.

Schmitt Trigger Input Enable

The I/O buffer includes a Schmitt trigger hysteresis option.

Voltage Mode Status

The nominal I/O voltage is detected by analog circuitry and reported in the VMode registers; this are read-only registers.

Table 63: MIO Input Buffer Control Registers

Feature	PMC_IOP_SLCR Registers		LPD_IOP_SLCR Registers	Description
	PMC MIO Bank 0	PMC MIO Bank 1	PS LPD MIO Bank	
	Pins 0 to 25	Pins 26 to 51	Pins 0 to 25	
Weak pull-up	MIO_Bank0_PU_En	MIO_Bank1_PU_En	MIO_Bank2_PU_En	0: Disable 1: Enable
Weak pull-down	MIO_Bank0_PD_En	MIO_Bank1_PD_En	MIO_Bank2_PD_En	
Schmitt trigger	MIO_Bank0_Schmitt_En	MIO_Bank1_Schmitt_En	MIO_Bank2_Schmitt_En	
Voltage mode	MIO_Bank0_VMode	MIO_Bank1_VMode	MIO_Bank2_VMode	Read-only: 0: 2.5/3.3V 1: 1.8V

Output Buffer Control Registers

The buffer output control include output enable and drive strength.

Output Enable

The output enable for each multiplexed I/O buffer is normally controlled by the peripheral controller. There are tristate override registers that can be used to disable an entire bank of signals, if needed.

When the tristate override control bit equals 1, the output on the I/O buffer is disabled and the pin will float according to the weak pull-up or pull-down settings.

Output Drive Strength

The output drive strength is controlled by two bits per output using a bit from a drive 0 register and a bit from a drive 1 register to select 2, 4, 8, and 12 mA drive strength for each individual MIO pin.

MIO Output Buffer Control Registers

The MIO output controls are summarized in the following table.

Table 64: MIO Output Buffer Control Registers

Feature	PMC_IOP_SLCR Registers		LPD_IOP_SLCR Registers	Description
	PMC MIO Bank 0	PMC MIO Bank 1	PS LPD MIO Bank 2	
	Pins 0 to 25	Pins 26 to 51	Pins 0 to 25	
Drive strength	MIO_Bank0_Drv0_Sel MIO_Bank0_Drv1_Sel	MIO_Bank1_Drv0_Sel MIO_Bank1_Drv1_Sel	MIO_Bank2_Drv0_Sel MIO_Bank2_Drv1_Sel	drv1 drv0: 00: 2 mA 01: 4 mA 10: 8 mA 11: 12 mA
Slew	MIO_Bank0_Slew_Sel	MIO_Bank1_Slew_Sel	MIO_Bank2_Slew_Sel	0: Slow-slew 1: Fast-slew
Tristate override	MIO_Bank0_Tristate	MIO_Bank1_Tristate	MIO_Bank2_Tristate	0: Output enable is controlled by the peripheral 1: Output disabled

MIO Pin Routing

The peripheral I/O signal routing section includes these topics:

- [MIO Routing Diagram](#)
- [MIO Routing Control Registers](#)
- [MIO Routing Functionality Details](#)

A programming example is shown in the [MIO Pin Programming Example](#) section.

MIO Routing Diagram

There is often high flexibility as to where to route the I/O signals for a peripheral controller. In a few cases, the IOP interfaces and signals are only available on the MIO pins (e.g., quad SPI). In other cases, I/O signals are only available on the EMIO interface (e.g., LPD DMA handshake control).

The PMC peripheral interface signals can only be routed to a PMC MIO pin, or the EMIO port signals. For LPD peripheral interface signals, the first MIO pin routing decision is to select between the PMC and the LPD MIO multiplexers. The selection is done using the [LPD_MIO_Sel](#) register.

The following figure provides a general overview of the routing architecture.

MIO Routing Control Registers

There are several routing control mechanisms for software.

- MIO multiplexer control registers in PMC and LPD
- LPD peripheral I/O can route to the LPD or to the PMC MIOs
- Miscellaneous MIO multiplexing control registers
- PMC SYSMON ADC channel input for voltage measurements

MIO Multiplexer Control Registers

The each multiplexer pin includes a routing control register:

- [PMC_IOP_SLCR](#) register module includes 52 registers: [MIO_PIN_0](#) to [MIO_PIN_51](#)
- [LPD_IOP_SLCR](#) register module includes 26 registers: [MIO_PIN_0](#) to [MIO_PIN_25](#)

LPD Peripheral I/O Routing to PMC

The LPD peripheral I/O signal can often be routed to either the PMC or LPD MIO multiplexers using the LPD_IOP_SLCR [LPD_MIO_Sel](#) register. Routing options are included for the I/O signals for SWDTs, I2C, CANFD, UART, TTC, SPI, and GEM MDIO.

Miscellaneous MIO Multiplexing Controls

There are several special-case I/O signal routing controls.

- SWDT reference clock select (MIO, EMIO, or APB interface); see [System-Level Registers](#)
- TTC reference clock source select; see [TTC_Clk_Sel](#)
- PSM wake-up input on MIO[0:5]

Loopback Functionality

The LPD MIO multiplexer includes the [MIO_Bank2_Loopback](#) register for some I/O peripherals.

- SPI controllers
- UART controllers
- CAN FD controllers
- I2C controllers

PMC SYSMON ADC Channel Input

The PMC system monitor has analog inputs that can be connected to the PMC or LPD MIO pins.

- PMC_IOP_SLCR [MIO_Bank0_ADC_En](#) register (PMC MIO Bank 0)

- PMC_IOP_SLCR [MIO_Bank1_ADC_En](#) register (PMC MIO Bank 1)
- LPD_IOP_SLCR [MIO_Bank2_ADC_En](#) register (PMC MIO Bank 1)

The system monitor functionality is described in the *Versal ACAP System Monitor Architecture Manual* ([AM006](#)).

The system monitor registers are included in the [PMC_SYSMON_CSR](#) register module.

MIO Routing Functionality Details

The PMC and LPD MIOs have similar functionality. There are 52 routing channels in the PMC and 26 channels in the LPD. The control registers for the input and output multiplexers are in two separate register sets.

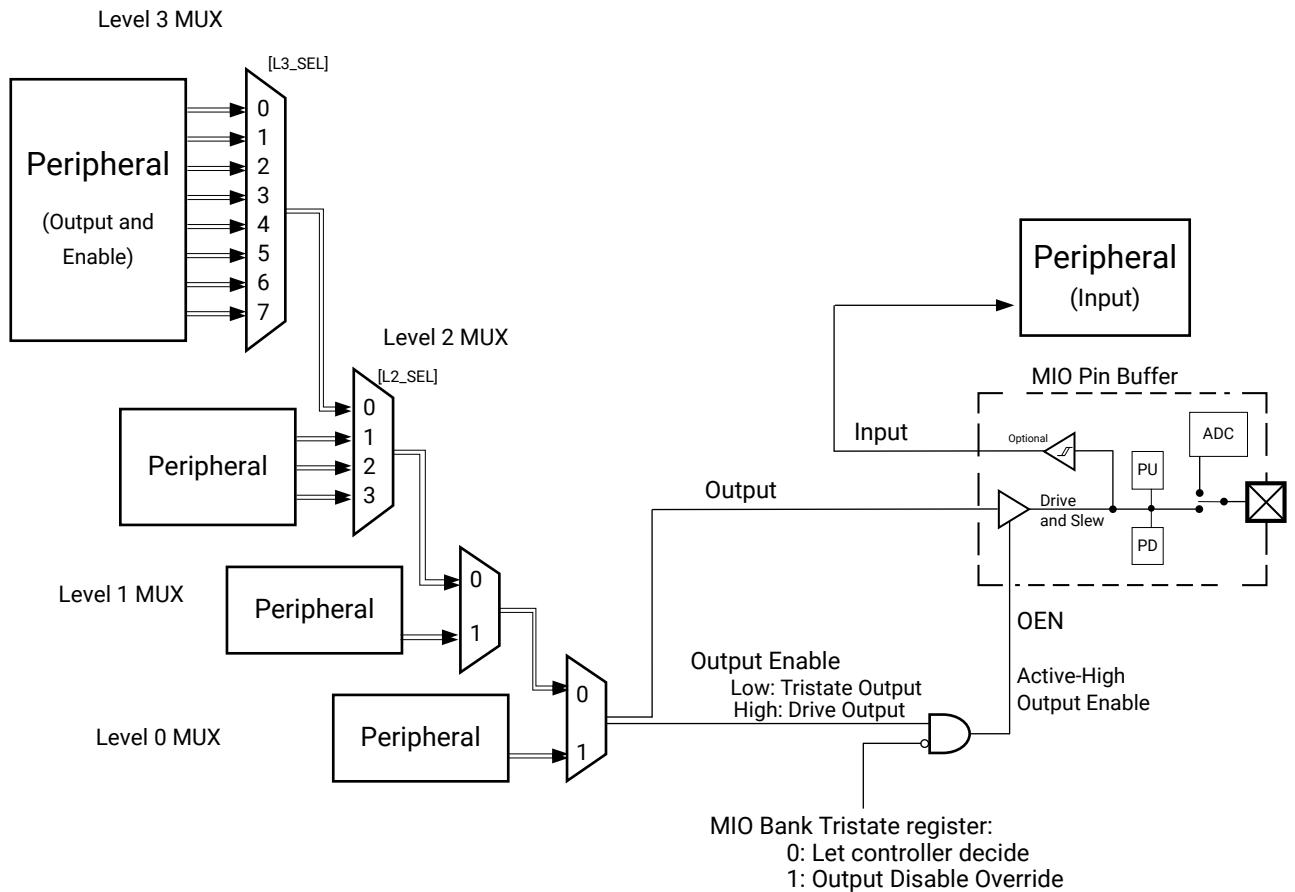
- PMC_IOP_SLCR.MIO_PIN{0:51}
- LPD_IOP_SLCR.MIO_PIN{0:25}

If an I/O signal from a peripheral is not selected by the MIO_PIN routing register, then it usually is available on the EMIO interface to the PL.

The multiplexing for outputs include several cascading levels. The level 3 multiplexing is used for low-speed signals. The level 0 multiplexing is used for high-speed signals and many of the clocks.

Note: The first routing decision for the LPD I/O signals is between the LPD and PMC multiplexers. This functionality is not shown in the following figure.

Figure 35: MIO Channel Diagram



X23549-120621

MIO Pin Programming Example

This example shows the programming to route a signal in the Versal device.

Route Signal Through MIO

Routing a signal through an MIO can be a two-step process.

- Configure the MIO pin (required)
- Select between the PMC and LPD MIOs (not always required)

Configure I/O Buffer for Input

The I/O buffer attributes are listed in [Output Buffer Control Registers](#).

The steps to configure the input for LPD MIO pin 18 include:

1. Select the MIO (PMC or LPD) using `LPD_MIO_Sel` (0: PMC MIO).
2. Route the signal through the MIO using the `MIO_PIN_18` register.
3. Disable the output driver. Write a 1 to the `MIO_Bank2_Tristate` [`PIN_18_TRI`] bit.
4. Select the CMOS input (not Schmitt). Write 0 to the `BANK_RX_SCHMITT` [`18`] bit.
5. Enable the weak internal pull-up resistor. Write 1 to the `BANK_PU` [`18`] bit.
6. Set the output drive to 2 mA. Write 0 to the `BANK_SEL_DRV0` [`18`] and `BANK_SEL_DRV1` [`18`] bits.
7. Select a slow slew rate. Write 0 to `BANK_SEL_SLEW` [`18`].

PCIe Reset on MIO

The following table includes the PCIe reset signals routed to the MIO pins. This is a software-defined input signal using a GPIO channel in the PMC GPIO controller.

Table 65: PCIe Controller Reset Input Signals

MIO					
Signal Name	I/O	PMC MUX Pin options		LPD MUX Pin	MIO-at-a-Glance Table
		A	B		
PCIe_RESET1_b	Input	24	38	18	0
PCIe_RESET2_b	Input	25	39	19	1

Engines

This section includes the following chapters. Many engines are described in other documents as shown in the overview.

- [Overview](#) of all engines in the device; all power domains
- [Processor Support Units](#)
- [Real-time Processing Unit](#) RPU in Low power domain (LPD)
- [Application Processing Unit](#) APU in Full power domain (FPD)
- [PS DMA Controller](#) in Low power domain

Overview

The Versal® ACAP functionality includes scalar, intelligent, and adaptable engines. These are groups of building blocks for the system platform.

The scalar engines include RPU and APU. The DMA engines are also included. The intelligent engines include the AI Engine and the DSP Engines in the PL. The PL has the adaptable logic including the configurable logic blocks (CLB) and block and UltraRAMs.

Scalar Engines

The scalar engines include:

- Real-time processing unit (RPU)
- Application processing unit (APU)

Real-time Processing Unit

The RPU MPCore processor is integrated into the LPD subsystem of the PS as shown in the [PS LPD Interconnect Diagram](#). The implementation and functionality of the Cortex-R5F processor is detailed in the [Real-time Processing Unit](#) chapter with additional information in the Arm documents.

The main features of the RPU:

- Dual Arm® Cortex®-R5F cores
- Lock-step and dual processor modes
- Tightly coupled memories for predictive execution times

Application Processing Unit

The APU MPCore processor is integrated into the FPD subsystem. The implementation and functionality of the Cortex®-A72 processor is detailed in the [Application Processing Unit](#) chapter with additional information in the Arm documents.

The main features of the APU:

- Dual Arm Cortex-A72 cores
- VFPv4 floating point, NEON, Crypto extension
- 48 KB instruction, 32 KB data caches
- GIC-500 interrupt controller
- 1 MB L2 Cache Coherent Interconnect (CCI)

Intelligent Engines

The Intelligent Engines include the AI Engine and the DSP Engine.

AI Engine

The AI Engine is a two-dimensional array of AI Engine tiles that each contain a high-performance VLIW vector (SIMD) processor, integrated memory, as well as interconnects for streaming, configuration, and debug. At the bottom of these tiles are the AI Engine array interface tiles that provide the necessary logic to connect the AI Engine to other resources including the PL, PS, and the NoC.

The AI Engine is integrated into the Versal® ACAP AI Core series. For more information, see *Xilinx AI Engine and Their Applications* ([WP506](#)) and for additional information, see *Versal ACAP AI Engine Architecture Manual* ([AM009](#)).

DSP Engine

The DSP Engine combines high speed with small size to provide high performance and system design flexibility. The DSP Engines are integrated into the PL.

Each engine includes a dedicated 27×24 bit multiplier and a 58-bit accumulator. The multiplier can be dynamically bypassed, and two 58-bit inputs can feed a single-instruction multiple-data (SIMD) arithmetic unit (dual 24-bit or quad 12-bit add/subtract/accumulate), or a logic unit that can generate any one of ten different logic functions on the two operands.

New functional modes are implemented in the DSP Engine, including:

- $18 \times 18 + 58$ two's complement MAC with back-to-back DSP Engines
- Single-precision floating-point (binary32) accumulation
- Three-element two's complement vector dot product with accumulate or post-add in INT8 mode

For more information, see the *Versal ACAP DSP Engine Architecture Manual* ([AM004](#)).

Adaptable Engines

The adaptable engines include:

- Configurable logic block (CLB)
- Block RAM memory array
- UltraRAM memory array

Configurable Logic Block

The CLB is briefly described in [Configurable Logic Block](#). For more information, see the *Versal ACAP Configurable Logic Block Architecture Manual (AM005)*.

Block RAM

The block RAM is briefly described in [Block RAM](#). For more information, see the *Versal ACAP Memory Resources Architecture Manual (AM007)*.

UltraRAM

The UltraRAM is briefly described in [UltraRAM](#). For more information, see the *Versal ACAP Memory Resources Architecture Manual (AM007)*.

DMA Units

There are many DMA units in the system:

- PMC secure-stream units
- General purpose [PS DMA Controller](#) with 8 descriptor-driven channels
- PL-instantiated DMA units
- CPM memory mapped and streaming DMA

Flash and I/O peripheral DMA units:

- Flash memory interface controllers (OSPI, QSPI, and SD/eMMC)
- I/O peripheral controllers (GEM Ethernet and USB)

Processor Support Units

There are many different support structures to support the processors. Some of these include:

- [Processor Communications](#)
 - Inter-processor interrupts
 - Mutex registers
- [System Watchdog Timers](#)

Processor Communications

Processor communications can be between the following units:

- Application processing unit (APU)
- Real-time processing unit (RPU)
- PMC PPU processor running the platform loader and management (PLM) firmware
- PSM processor running the PSM firmware
- MicroBlaze processors instantiated in the PL

Inter-processor Interrupt Controller

The inter-processor interrupt (IPI) controller provides cross-processor interrupts with 32-byte message passing; refer to the [Inter-Processor Interrupts](#) chapter.

Mutex Registers

There are 32 general purpose mutex registers in the PMC global register module. The mutex registers can be claimed and released when they are granted access. The usage and protocol is defined by software. The value of the mutex registers does not affect the hardware. Refer to the [PMC_MUTEX_n](#) registers.

Application Processing Unit

This chapter contains these main sections:

- [Features](#)
- [System Perspective](#)
- [Memory Space](#)
- [Execution Pipelines](#)
- [APU Address Model](#)
- [Virtualization](#)
- [Server Architecture](#)
- [Processor Counters](#)
- [PS FPD Interrupts](#)
- [GIC-500 Interrupt Controller](#)
- [Register Reference](#)

The application processing unit (APU) provides general-purpose computing in a standard programming environment based on powerful and feature-rich Arm® Cortex®-A72 cores with their A64 instruction set in the v8-A architecture. The APU includes two A72 cores. The generic interrupt controller (Arm GIC-500) is added to manage system interrupts. Other processors and bus masters can interact with the APU L2 cache memory with error-correction code (ECC) to form a tightly coupled heterogeneous system using the Cache Coherent Interconnect (CCI). The APU is located in the FPD of the PS.

A72 Processor Implementation

The TRM provides an overview of the processor features and implementation notes for the Versal® device. An extensive set of documentation is available from Arm. The introduction to Arm processors and documentation begins at the [Arm developer architectures website](#). The IP version is listed in [System Features](#).

Features

The PS APU is a dual-core processor that is based on the Arm® superscalar, out-of-order execution Arm Cortex-A72 core.

The 64-bit Cortex-A72 cores are based on Arm-v8A architecture that supports hardware virtualization. Each A72 core includes:

- 48 KB of L1 instruction cache with parity protection
- 32 KB of L1 data cache with ECC protection
- NEON SIMD pipeline
- Floating point unit (FPU): single and double precision
- Embedded trace microcell (ETM) to support real-time debug and trace. The ETM communicates with the Arm CoreSight™ debug system.

The APU is located in the FPD. The APU is clocked independently from the FPD blocks and can be reset independently or with the FPD power domain.

CPU Pipelines

- Single and double precision floating point unit, VFPv4 (see the Arm developer [website](#) for more information)
- NEON single instruction multiple data (SIMD) extension, (see the Arm developer [website](#) for more information)
- Cryptography extension, see Arm TRM document 100097_0003_05

Caches

The architecture supports hardware virtualization. Each Cortex-A72 processor includes a 48-KB L1 instruction cache with parity protection and a 32 KB L1 data cache with ECC protection.

The processors have a built-in two-stage MMU that supports multi-threading and multi-operating system applications. Masters in all parts of the system can potentially participate in the APU L2 cache coherency address space by routing their transactions through the system memory management unit (SMMU) via its translation buffer units (TBU) that are connected to the CCI in the FPD. The SMMU maps the virtual addresses of masters to the shared physical address space in main memory.

Power islands include:

- Each processor core can be enabled and disabled individually using its own power island
- L2 cache power island

The processor also includes the GIC-500 interrupt controller with its GIC v3 architecture.

To support real-time debug and trace, each processor has an embedded trace macrocell (ETM) that communicates with the Arm CoreSight™ debug system.

Comparison to Previous Generation Xilinx Devices

The APU MPCore in the Versal device uses a dual Cortex-A72 MPCore compared to a quad Cortex-A53 MPCore in the Zynq® UltraScale+™ MPSoC. The Cortex-A72 is newer and has significantly more performance than the Cortex-A53, but also requires more power. Key pipeline features include:

- Three-way instruction dispatch instead of two
- Out-of-order execution
- Faster clocking

APU MMU

The APU MMU is similar to the unit used in the Cortex-A53 processor from previous Xilinx devices with some enhancements:

- AArch64 state provides 44 bits of physical address size
- 48-entry L1 instruction TLB
- 32-entry L1 data cache TLB
- 1024-entry L2 cache TLB

GIC Interrupt Control

The APU has a built-in interrupt controller for virtual interrupts. It also has an attached system interrupt controller based on the Arm GIC-500. The programming model for interrupts is significantly different than in the Zynq UltraScale+ MPSoC.

Arm Server Base System Architecture

The APU includes features to support the Arm server base system architecture (SBSA). These include:

- APU Cortex-A72 (supersedes Cortex-A53)
- APU GIC-500 (Arm v3 architecture protocol supersedes v2)

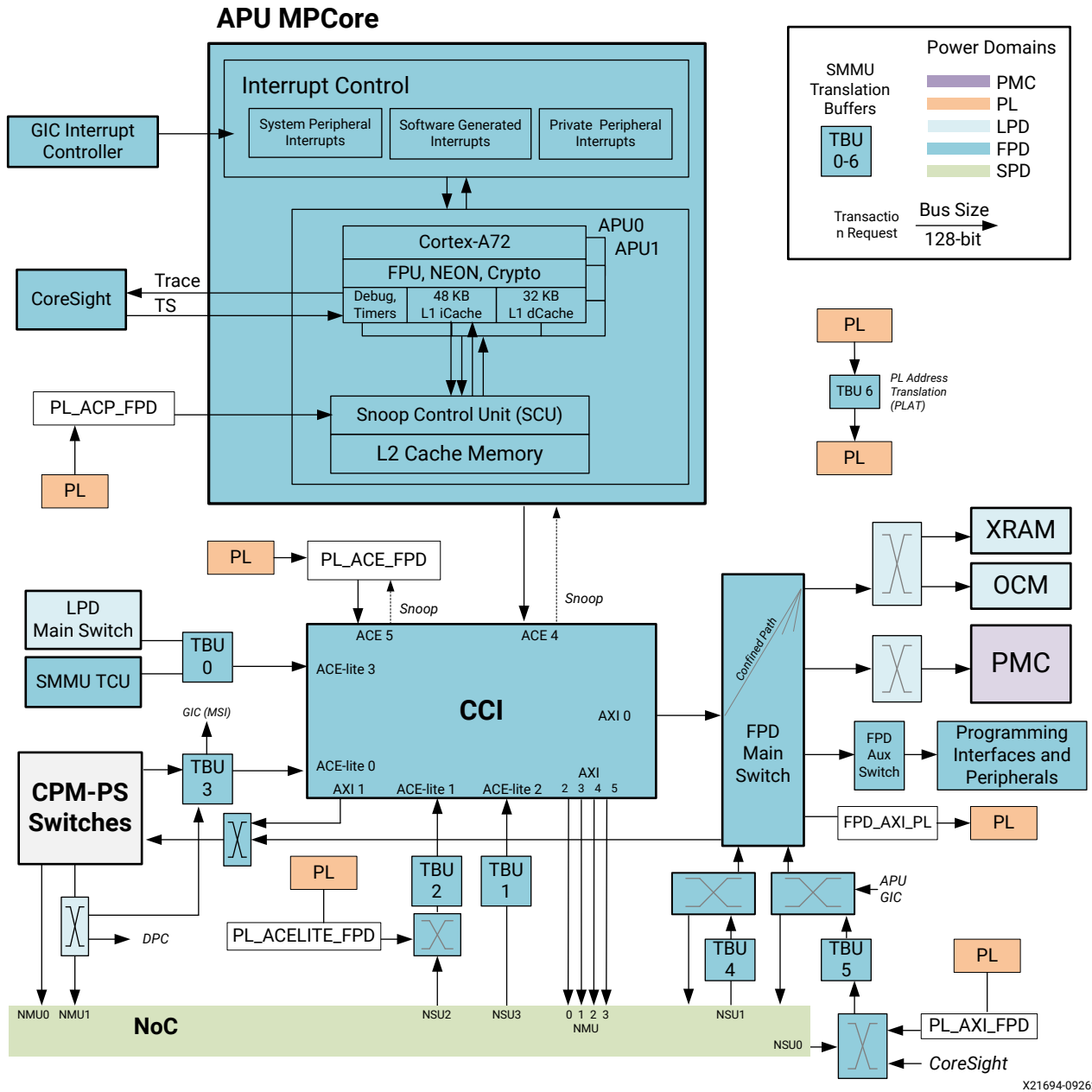
System Perspective

The APU is central to the FPD and works closely with the APU L2 cache coherent interconnect (CCI) and the system memory management unit (SMMU). The AMBA[®] interconnect provides access to the LPD, PL, CPM and NoC.

FPD Block Diagram

The APU block diagram is shown in the following figure.

Figure 36: FPD System Block Diagram



X21694-092621

APU MPCore Functional Units

Processor Pipelines

There are several pipelines and engines in the APU:

- **CPU Pipeline** with AArch32 and AArch64 instructions

- [FPU Pipeline](#) with 32 and 64-bit data
- [NEON Pipeline](#) with single instruction multiple data (SIMD) dispatch
- [Cryptography Engine](#)

L1 Caches

Each processor includes its own local L1 cache connected to the SCU and L2-cache memory.

Cache features include:

- 48 KB instruction cache protected with parity and includes a 48-entry fully associative TLB
- 32 KB data cache protected with ECC and includes a 32-entry fully associative TLB

L2 Cache

The 1 MB, unified L2 cache with ECC is physically addressed and physically tagged.

- 4-way set associative 1024-entry TLB
- PL can be coherent using S_ACE_FPD, S_ACP_FPD, S_AXI_HPC, NSU2, and NSU3 interfaces
- CPM can be coherent using ACE-Lite port via SMMU TBU 3

System Interfaces

The APU MPCore accesses the system through the Cache Coherency Interconnect (CCI). The CCI also connects other system masters to the APU MPCore for two-way and I/O coherency.

Memory Space

The APU's Cortex-A72 includes an integrated memory management unit (MMU).

In the AArch32 state, the Arm® v8 address translation system resembles the Arm v7 address translation system with large physical-address extensions (LPAE) and virtualization extensions. In the AArch64 state, the Arm v8 address translation system resembles an extension to the long descriptor format address translation system to support the expanded virtual and physical address spaces. For more information on the address translation formats, see the *Arm Architecture Reference Manual v8* for the Arm v8-A architecture profile. The key differences between the AArch64 and AArch32 address translation systems are that the AArch64 state provides the ability to:

- Select the translation granule to either be 4 KB or 64 KB (AArch32 limited to be 4 KB)
- Configure the address space identifier (ASID) size to be either 8-bit or 16-bit (AArch32 limited to an 8-bit value)

The maximum physical address size is:

- 44-bit in AArch64 state
- 40-bit in AArch32 state

The APU memory management unit (MMU) controls table-walk hardware that accesses translation tables in main memory. The MMU works with the L1 and L2 memory system to translate a virtual address (VA) to a physical address (PA). The MMU provides fine-grained memory system control through a set of virtual-to-physical address mappings and memory attributes held in page tables. These are loaded into the translation lookaside buffer (TLB) when a location is accessed.

Address translations can have one or two stages. Each stage produces output LSBs without a lookup. Each stage walks through multiple levels of translation as follows:

- 48-entry fully-associative L1 instruction cache TLB
- 32-entry fully-associative L1 data cache TLB for data load and store pipelines
- 4-way set-associative 1024-entry L2 cache TLB in each processor
- Intermediate table walk caches
- TLB entries contain a global indicator or an ASID to permit context switches without TLB flushes
- TLB entries contain a virtual machine identifier (VMID) to permit virtual machine switches without TLB flushes

Execution Pipelines

CPU Pipeline

The CPU pipeline includes:

- Variable length, super-scalar pipeline (up to 15 stages) with out-of-order execution
- Arm Arch64 v8A CPU architecture
- Arm Arch32 capable for legacy applications
- Dynamic branch prediction with branch target buffer and global history buffer, a return stack, and an indirect predictor

FPU Pipeline

The floating point unit pipeline includes:

- VFPv4 execution in each core

NEON Pipeline

The NEON pipeline includes:

- Advanced SIMD extensions
- Arm v8-A architecture

Cryptography Engine

The cryptography engine builds on the advanced SIMD instruction set. The crypto engine can be used to accelerate the execution of AES, SHA, and SHA2-256 algorithms.

See the *Arm Architecture Reference Manual v8* for more information.

APU Address Model

In the AArch32 state, the Arm® v8 address translation system resembles the Arm v7 address translation system with large physical-address extensions (LPAE) and virtualization extensions.

In AArch64 state, the Arm v8 address translation system resembles an extension to the long descriptor format address translation system to support the expanded virtual and physical address spaces. For more information regarding the address translation formats, see the *Arm Architecture Reference Manual v8* for the Arm v8-A architecture profile.

The memory management unit (MMU) controls table-walk hardware that accesses translation tables in main memory. The MMU translates virtual addresses to physical addresses. The MMU provides fine-grained memory system control through a set of virtual-to-physical address mappings and memory attributes held in page tables. These are loaded into the translation lookaside buffer (TLB) when a location is accessed.

Address translations can have one or two stages. Each stage produces the least significant bits (LSB) output without a lookup. Each stage walks through multiple levels of translation.

Virtualization

Virtualization allows multiple software stacks to run simultaneously on the same processor, which enhances the productivity of the Versal ACAP. The role of virtualization varies from system to system. For some designs, virtualization allows the processor to be kept fully loaded at all times, saving power and maximizing performance. For others, virtualization provides a way to partition the various software stacks for isolation or redundancy.

Note: The support for virtualization applies only to an implementation that includes Arm exception level-2 (EL2). Armv8 supports the virtualization extension to achieve full virtualization with performance comparable to that of the native guest operating system.

The hardware provides virtualization features to support multiple virtual machines running on the APU.

- [APU Virtualization](#)
- [Virtual Interrupts](#)
- [Shared Virtual Memory](#)
- [Processor Counters](#)

Server Architecture

The APU and subsystems include support for the Arm server based system architecture (SBSA). The SBSA architecture aligns hardware with system software components for interoperability. The specification comprises multiple levels that build incrementally on top of each other with each level mandating additional functional aspects of the system. This includes specifying features that the CPU and some key peripherals need to support to be compliant.

The Versal ACAP system is Arm SBSA Level-1 capable, at a minimum, as defined by the Arm SBSA specification document number ARM-DEN-0029A.

The features specifically supporting the SBSA architecture include:

- SBSA L1 compatible components
 - APU Cortex-A72 core
 - UART SBSA
 - SWDT with generic and windowed timers
- APU generic interrupt controller (Arm GICv3 architecture in GIC-500)
 - Locality-specific peripheral interrupt (LPI)

- System register interface enable (SRE)
- Affinity routing enable (ARE)
- System firmware data structures such as ACPI or FDT

Processor Counters

- [Physical Counter](#), also see [System Counters](#)
- [Virtual Counters](#)
- [Debug Timestamp Counter](#)

Applications

The system counter can be used to generate one or more event streams to generate periodic wake-up events. An event stream might be used for these reasons:

- To impose a timeout on a wait-for-event polling loop
- To safeguard against any programming error that means an expected event is not generated

Event Stream

An event stream is configured by these selections:

- Selecting which bit from the bottom 16 bits of a counter triggers the event, which determines the frequency of the events in the stream
- Selecting whether the event is generated on each 0 to 1 transition or each 1 to 0 transition of the selected counter bit

Physical Counter

The physical and virtual counters in the Arm v8 architecture are sourced from the 64-bit system counter located in the LPD. For details, see [System Counters](#).

The system counter provides the time base for the physical and virtual counters for the APU processors. The system count is also accessible using memory-mapped registers in the LPD memory space.

The count value for the APU processor's physical counter is the same as the system counter. For virtual count, a fixed count for a virtual channel is subtracted from the system counter value to provide a virtual count. The physical and virtual counters for the APU processors are documented in the *Arm Architecture Reference Manual Arm v8*.

The system counter is controlled by the IOP_SCNTR and IOP_SCNTRS register sets. The frequency of the system counter tic clock is controlled by the [TIMESTAMP_REF_CTRL](#) register. For more information, see [System Counters](#).

Software can read the CNTFRQ register to determine the current system counter frequency in these states and modes:

- 64-bit counter is private to each APU core
- Same PPI interrupt number for each APU core
- Extensions to the timer to AArch64:
 - When CNTKCTL.ELOPTEN is set to 1, secure and non-secure ELO modes
 - Non-secure EL1 physical timer
 - Secure EL1 physical timer
 - Non-secure EL2 physical timer
 - Virtual timer based on offset from physical timer

Accessing the Physical Counter Registers

The processor physical counter is implemented as the system counter. The functionality and memory-mapped access methods are described in [System Counters](#). The physical counter is also accessible via the processor's local registers as described in this section. For each counter, all counter registers have the same access permissions. Software with sufficient privileges can read CNTPCT using a 64-bit system register read.

EL1 Physical Counter

The EL1 physical counter is accessible from EL1 modes, except that non-secure software executing at EL2 controls access from non-secure EL1 modes.

When access from EL1 modes is permitted, CNTKCTL.ELOPTEN determines whether the registers are accessible from ELO modes. If an access is not permitted because CNTKCTL.ELOPTEN is set to 0, an attempted access from ELO is UNDEFINED.

The EL1 physical timer characteristics include:

- Except for accesses from the monitor mode, accesses are to the registers in the current security state.
- For accesses from monitor mode, the value of SCR_EL3.NS determines whether accesses are to the secure or the non-secure registers.
- The non-secure registers are accessible from hypervisor mode.

- CNTHCTL.NSEL1TPEN determines whether the non-secure registers are accessible from non-secure EL1 modes. If this bit is set to 1, to enable access from non-secure EL1 modes
CNTKCTL.ELOPTEN determines whether the registers are accessible from non-secure ELO modes.

If an access is not permitted because CNTHCTL.NSEL1TPEN is set to 0, an attempted access from a non-secure EL1 or ELO mode generates a hypervisor trap exception. However, if CNTKCTL.ELOPTEN is set to 0, this control takes priority, and an attempted access from ELO is UNDEFINED.

EL2 Physical Counter

The EL2 physical counter is accessible from non-secure hypervisor mode, and from the secure monitor mode when SCR_EL3.NS is set to 1.

Virtual Counters

Each APU core includes a virtual counter that indicates virtual time. The virtual counter contains the value of the physical counter minus a 64-bit virtual offset. When executing in a non-secure EL1 or ELO mode, the virtual offset value relates to the current virtual machine. The CNTVOFF register contains the virtual offset. CNTVOFF is only accessible from EL2 or EL3 when SCR.NS is set to 1. The CNTVCT register holds the current virtual counter value.

Accessing the Virtual Counter

Software with sufficient privilege can read CNTVCT using a 64-bit system register read.

The virtual counter is accessible from secure and non-secure EL1 modes and from hypervisor mode. CNTKCTL.ELOVTEN determines whether the registers are accessible from ELO modes. If an access is not permitted because CNTKCTL.ELOVTEN is set to 0, an attempted access from an ELO is UNDEFINED.

Private Counters

- 64-bit counter is private to the APU MPCore
- Auto-incrementing feature
- 64-bit comparator can assert a private interrupt

Local Processor Access

Typically, initializing and reading the system counter frequency includes setting the system counter frequency using the system register interface, only during the system boot process. The system counter frequency is set by writing the system counter frequency to the CNTFRQ register. Only software executing at the highest exception level implemented can write to CNTFRQ.

Programming

There are several control functions as described in this section.

Local Memory-mapped System Registers

- Enabling and disabling the counter

- CNTR, counter control register EN, bit [0]:
 - 0: System counter disabled
 - 1: System counter enabled

- Setting the counter value

Two contiguous RW registers CNTCV [31:0] and CNTCV [63:32] that hold the current system counter value, CNTCV. If the system supports 64-bit atomic accesses, these two registers must be accessible by these accesses.

- Changing the operating mode to change the update frequency and increment value. CNTCR, counter control register FCREQ, bits [31:8]: frequency change request.
- Enabling halt-on-debug for a debugger to use to suspend counting. CNTCR, counter control register HDBG, bit [1]: Halt-on-debug. Controls whether a halt-on-debug signal halts the system counter.
 - 0: System counter ignores halt-on-debug
 - 1: Asserted halt-on-debug signal halts system counter update

PS FPD Interrupts

The APU provides local interrupt controller, a generic system interrupt controller, and virtual interrupts.

- [Hardware Interrupts](#)
- [GIC-500 Interrupt Controller](#)
- [Exception Levels](#)
- [Virtual Interrupts](#)

Hardware Interrupts

The controller supports several types of interrupts.

- **Shared peripheral interrupt:** Shared peripheral interrupts (SPIs) are peripheral interrupts that can be routed to a specific processor core that can handle the interrupt or a core that is configured to receive this type of interrupt. These interrupts can be group 0 or group 1, and can be either wire-based or message-based.
- **Private peripheral interrupt:** Private peripheral interrupts (PPIs) target a single specific processor core and are independent for each core in the APU cluster. These interrupts are used when the peripherals are tightly coupled to a particular core, can be group 0 or group 1, and are only wire-based. All PPI interrupts are level sensitive.
- PPI#22 – DCC interrupt
- PPI#23 – PMU interrupt (performance monitor unit)
- PPI#24 – CTI interrupt
- PPI#25 – Virtual maintenance interface
- PPI#26 – Hypervisor timer
- PPI#27 – Virtual timer
- PPI#28 – Legacy PL FIQ
- PPI#29 – Secure physical timer interrupt
- PPI#30 – Non-secure physical timer interrupt
- PPI#31 – Legacy PL IRQ
- **Software generated interrupts:** Software generated interrupts (SGIs) are inter-processor interrupts. SGIs can be generated by writing to the software generated interrupt register ([GICD_SGIR](#)). There are 16 SGIs available for each processor in the MPCore. These interrupts have no effect on the hardware.
- **Locality-specific peripheral interrupts for virtualization:** Locality-specific peripheral interrupts (LPIs) are targeted peripheral interrupts that are routed to a specific processor in the MPCore. LPIs can only be non-secure group 1 interrupts and only with edge-triggered behavior. These interrupts are generated by a peripheral writing to a memory-mapped register in the GIC-500 interrupt controller and, consequently, are only message-based interrupts. The GIC-500 supports up to 56k LPIs. The cache size for frequently occurring MSI/MSI-x is 64 entries. The device ID is delivered to the GIC via the AWUSER bits.

GIC-500 Interrupt Controller

The APU processor includes a local interrupt controller for managing APU processor related interrupts. It is attached to a programmable, generic interrupt controller (GIC-500) to capture system interrupts.

To manage system interrupts, the APU includes the GIC interrupt controller, which is based on the Arm GIC-500 generic interrupt controller and is compatible with the Arm GIC v3 architecture.

Local Address Space at 0xF900_0000

The APU Arm generic interrupt controller, GIC-500, includes nine register modules; for example, the shared [APU_GIC_DIST_MAIN](#) register module and the individual [APU_GIC_REDIST_SGISPI](#) register modules. All of the GIC register modules are listed in the [GIC Registers](#) section.

The GIC register modules are located in a 786 KB local address space starting at 0xF900_0000. This range is only accessible to the APU except for the [APU_GIC_ITS_TRANS](#) register module, which contains only one register that is only accessible to the CPM/PCIe to trigger a message-based interrupt (MSI).

Exception Levels

The APU interrupt controller exception level (EL) grouping is:

- Group 0: interrupt is expected to be handled at EL3
- Group 1: secure interrupt is expected to be handled at secure EL1
- Group 1: non-secure interrupt is expected to be handled at:
 - EL2 in systems using virtualization, or
 - EL1 in systems without virtualization

Virtual Interrupts

The Arm GIC v3 interrupt controller (GIC-500) provides hardware virtualization.

Interrupt Translation Services

The APU interrupt controller provides interrupt translation services (ITS) to isolate the device and provide ID translation for message-based interrupts. This enables virtual machines to program devices directly.

LPI and ITS Cache Updates

GIC-500 has a cache to store the settings for LPI interrupts and interrupt translation (ITS) for the message-based protocol. A cache miss results in up to three round trips to memory.

Register Reference

Processor Control and Status Registers

The following tables provide an overview of the AArch32 registers and the APU core private counters. The MPCore timers are defined by the AArch64 architecture specification.

Local Register Access

The CNTPCT register holds the current physical counter value. The CNTPCT counter operates in the LPD power domain to provide a reliable and uniform view of the system time to each of the APU cores. This counter is controlled by the [TIMESTAMP_REF_CTRL](#) register.

Table 66: AArch32 Register Overview

Function	Control Register
Timer frequency	CNTRFQ
Kernel control	CNTKCTL
Hypervisor control	CNTHCTL
Virtual offset	CNTVOFF

Table 67: APU Core Private Counter (AArch64)

Counter - Timer	Physical Counter	Virtual Counter	Physical Secure Counter	Hypervisor Physical Counter
Timer value	CNTP_TVAL_ELO	CNTV_TVAL_ELO	CNTPS_TVAL_EL1	CNTHP_TVAL_EL2
Timer control	CNTP_CTL_ELO	CNTV_CTL_ELO	CNTPS_CTL_EL1	CNTHP_CTL_EL2
Compare value	CNTP_CVAL_ELO	CNTV_CVAL_ELO	CNTPS_CVAL_EL1	CNTHP_CVAL_EL2
Timer count	CNTPCT_ELO	CNTVCT_ELO		

GIC Registers

The GIC-500 register modules are accessible only to the APU with one exception. The [APU_GIC_ITS_TRANS](#) register module is a single-register module that is accessible only to the CPM/PCIe to generate a message signal interrupt (MSI) request.

Table 68: APU GIC Local Register Modules

Register Modules	Base Address	Description
APU_GIC_DIST_MAIN	0xF900_0000	Main interrupt distributor
APU_GIC_DIST_MBSPI	0xF901_0000	SPI interrupt distributor
APU_GIC_ITS_CTL	0xF902_0000	ITS service control

Table 68: APU GIC Local Register Modules (cont'd)

Register Modules	Base Address	Description
APU_GIC_ITS_TRANS	0xF903_0000	ITS service (MSI request); accessible by CPM/PCIe only.
APU_GIC_A72_CPUIF	0xF904_0000	CPU interface
APU_GIC_A72_VIFCTL	0xF905_0000	CPU Virtual Interface Control
APU_GIC_A72_VCPUIF	0xF906_0000	CPU Virtual Interface
APU_GIC_REDIST_CTLIPI_0 APU_GIC_REDIST_CTLIPI_1	0xF908_0000 0xF90A_0000	Redistributor registers for control and physical LPI interrupts: APU0 and APU1
APU_GIC_REDIST_SGISPI_0 APU_GIC_REDIST_SGISPI_1	0xF909_0000 0xF90B_0000	Redistributor registers for SGI and PPI interrupts: APU0 and APU1

Real-time Processing Unit

The Versal ACAP real-time processing unit (RPU) provides predictable software execution times using Arm® Cortex®-R5F processors for real-time applications. The RPU is located in the LPD of the PS. Each processor includes separate L1 instruction and data caches and tightly coupled memories (TCM) to narrow down the deterministic behavior for real-time data processing applications. System memory is cacheable, but the TCM memory space is non-cacheable.

The RPU is a dual MPCore that can be configured for dual-processor or lock-step mode. The dual-processor mode provides higher performance. The lock-step configuration provides a high level of reliability for functional safety.

The RPU can execute instructions and access data from its TCMs, the OCM memory, the main DDR memory, and other system memories. When addressing system memory, the transactions can be routed directly to the NoC for accessing DDR memory, or through the APU Cache Coherent Interconnect (CCI) in the FPD for hardware coherent transactions with the APU's L2 cache.

Arm Documentation

This chapter describes general processor features and the implementation included in the Versal® device. See the online Arm Cortex-R5F processor documentation for details.

Features

The Cortex-R5F processors include the following features:

- Integer execution unit with the Arm v7-R instruction set
- Single and double precision FPU with VFPv3 instructions
- Arm v7-R architecture memory protection unit (MPU)
- Dynamic branch prediction with a global history buffer and a 4-entry return stack
- 32 KB instruction L1 cache with ECC protection
- 32 KB data L1 cache with ECC protection
- 128 KB of TCM memory with ECC protection for each processor (256 KB total)

- CoreSight™ debug embedded trace module (ETM)
- Low latency and non-maskable, fast interrupts
- 64-bit master interface for accessing memory and shared peripherals
- 64-bit slave interface for system masters to access the TCMs

Comparison to Previous Generation Xilinx Devices

The RPU in the Versal ACAP is the same as the one in the Zynq® UltraScale+™ device.

Cortex-R5F Processor Implementation

The following table describes the Arm Cortex-R5F processor implementation. These are fixed in hardware.

Note: For more information, see the *Arm Cortex-R5F Technical Reference Manual*.

Table 69: RPU Implementation Settings

Configuration Parameter	Value	Description
INITPPX	1	AXI peripheral interface enabled at reset
SLBTCMSB	0	B0 and B1 TCM interleaving by addr [3]
INITRAMA	0	Enable TCM_A
INITRAMB	1	Enable TCM_B
ENTCM1IF	1	Enable TCM_B1 interface
LOCZRAMA	1	TCM_A initial base address is zero
PPXBASE	Global	Base address of AXI peripheral interface
PPXSIZE	16 MBs	Size of AXI peripheral interface
PPVBASE	Global	Base address of virtual-AXI peripheral interface
PPVSIZE	8 KBs	Size of virtual-AXI peripheral interface

System Perspective

Block Diagram

The RPU block diagram is shown in the following figure.

- Each RPU core has its own caches and TCMs
- Safety lock-step mode
 - Both RPU cores execute the same code in lock-step, clock-for-clock
 - The outputs from the lead RPU, core 0, are checked by core 1
 - Discrepancies are flagged as a system error
- Single CPU mode
 - If desired, RPU core 0 can be held in reset while core 1 runs normally with access to all 256 MBs of the TCM

The processor does not support dynamic configuration. Switching between the lock-step and dual-processor configurations is only permitted immediately after a processor reset.

Lock-Step Architecture

The RPU lock-step architecture includes comparison and synchronization logic to continually compare the data coming out of the CPUs. When the Cortex-R5F processors are configured to operate in the lock-step configuration, the CPU0 interfaces with the system interconnect and the local memories (including the TCMs and caches).

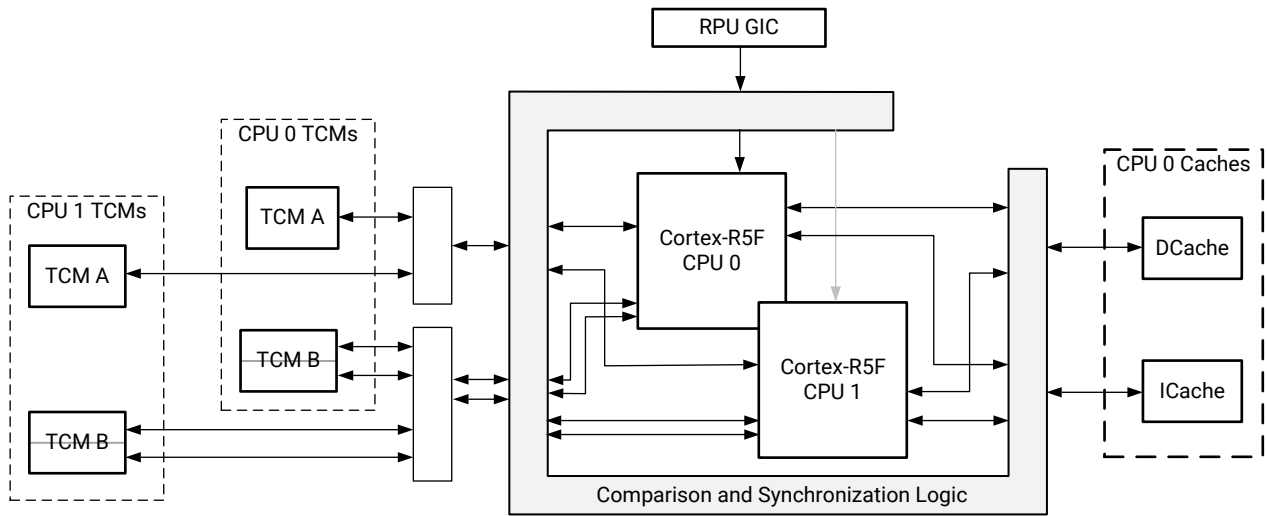
When the Cortex-R5F processors are in the lock-step mode, there should be code in the reset handler to ensure that the distributor within the generic interrupt controller (GIC) dispatches interrupts only to CPU0.



IMPORTANT! *During the lock-step operation, all of the TCMs become available for a total of 256 KB. The configuration of the TCMs is controlled by the RPU_DUAL_CSR GLOBAL_CNTL [TCM_COMB] register bit.*

The RPU processor lock-step architecture is shown in the following figure.

Figure 38: RPU Lock-Step Architecture



X23767-050720

Configuration Registers

The `RPU_DUAL_CSR` register set includes several control and configuration registers for the RPU. These registers are read/write.

Table 70: RPU Configuration Registers

Register	Bit Field and Description	Reset Value and Description
<code>GLOBAL_CNTL</code>	<ul style="list-style-type: none"> [CFGEE, 0]: endian mode during exception handling [CFGIE, 1]: endian mode for instruction fetch [DBGNOCLKSTOP, 2]: CPU clk gate in standby [SLSPLIT, 3]: Lock-step or Dual processor mode [SLCLAMP, 4]: Output clamping (RPU0 processor) [TEINIT, 5]: Exception handling state at reset [TCM_COMB, 6]: TCM configuration [TCM_WAIT, 7]: Waitstate for TCM access [TCM_CLK_CNTL, 8]: Gate clocks to TCMs [GIC_AXPROT, 10]: AxPROT[1] bit to GIC 	<ul style="list-style-type: none"> 0: little endian 0: little endian 0: clock can be gated 0: lock-step mode (safety) 1: clamping enabled 0: Arm instructions 1: TCMs combined (256 KB) 0: no waitstates 0: clocks to TCMs not gated 0: secure transactions
<code>RPU0_CONFIG</code> and <code>RPU1_CONFIG</code>	<ul style="list-style-type: none"> [nCPUHALT, 0]: State after reset released [VINITHI, 2]: Instruction fetch location after reset [CFGNMFI, 3]: FIQ masking for RPU0 	<ul style="list-style-type: none"> 1: processor runs (not halted) 1: executes from OCM 0: enable FIQ masking

Power Modes and States

The RPU MPCore includes several power modes and power island states.

Power Modes

The CPUs include three power management states.

- Run
- Standby
- Shutdown

Each power level provides decreasing levels of power consumption, but increases the entry and exit requirements.

The following table lists the power management modes.

Table 71: Power Management Modes

Power Mode	CPU Clock	Power State	TCM Memory Retention	Exit to Run Mode Description
Run	Active	On	Yes	~
Standby	When idle	On	Yes	Pipeline restart
Shutdown	Inactive	Off	No	Pipeline restart restores registers and configuration from memory, invalidates caches, and reinitializes caches and TCMs

Power Islands

The RPU MPCore includes several power islands as shown in the [Power Diagram](#) of the power chapter.

Note: All TCM power islands must be powered up to access any of the TCMs.

Address Maps

There are several memory maps related to the RPU. These include local and global perspectives.

- This chapter includes:
 - [CPU Local and Global Memory Map](#)
 - [Memory Map Diagram](#)

CPU Local and Global Memory Map

The local memory maps for the RPU CPUs include:

- Local TCM and cache memory map

- Local interrupt control memory map

The CPUs have direct access to this memory space without a protection unit.

The memory map from the CPU's point of view and a view from system-level masters is shown in the following table.

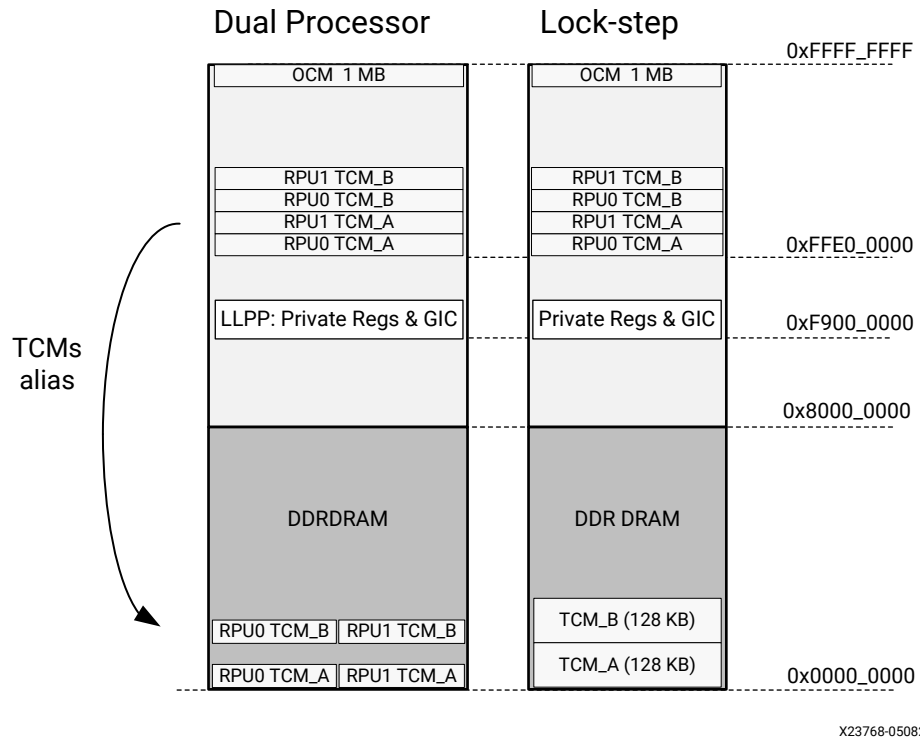
Table 72: CPU Local and Global Memory Map

Memory Type	Size (KB)	Dual Processor Mode			Lock-Step Mode	
		RPU0	RPU1	Global Map	RPU0	Global Map
		Local Map	Local Map			
RPU0 TCM_A	64	0x0000_0000	~	0xFFE0_0000	0x0000_0000	0xFFE0_0000
RPU0 TCM_B	64	0x0002_0000	~	0xFFE2_0000	0x0002_0000	0xFFE2_0000
RPU0 instruction cache	32	I-Cache	~	0xFFE4_0000	I-Cache	0xFFE4_0000
RPU0 data cache	32	D-Cache	~	0xFFE5_0000	D-Cache	0xFFE5_0000
RPU1 TCM_A (RPU0 in lock-step mode)	64	~	0x0000_0000	0xFFE9_0000	0x0001_0000	0xFFE1_0000
RPU1 TCM_B (RPU0 in lock-step mode)	64	~	0x0002_0000	0xFFEB_0000	0x0003_0000	0xFFE3_0000
RPU1 instruction cache	32	~	I-Cache	0xFFEC_0000	~	~
RPU1 data cache	32	~	D-Cache	0xFFED_0000	~	~

Memory Map Diagram

The local memory maps for dual processor and lock-step are shown in the following figure.

Figure 39: RPU CPUs TCM Address Map



X23768-050821

Local Address Space at 0xF900_0000

The RPU Arm GIC PL390 interrupt controller occupies 12 KB of local address space starting at 0xF900_0000. This range is only accessible to the RPU via the private low-latency peripheral port (LLPP) interface. For register descriptions, see the [RPU_GIC_PL390](#) register module.

Exception Vectors

The RPU exception vectors can be configured to be HIVEC (0xFFFF_0000) or LOVEC (0x0000_0000). Because the OCM is mapped at HIVEC, and for the RPU to be able to execute interrupt handlers directly from TCMs, the TCMs must be mapped starting at address 0x0000_0000 (=LOVEC). Also, to configure the APU with LOVEC in DRAM, the APU cannot access TCMs at LOVEC. Consequently, TCMs are aliased into a local address map of the RPU for the Cortex-R5F processor to access them starting at address 0x0000_0000.

Processor Memory Datapaths

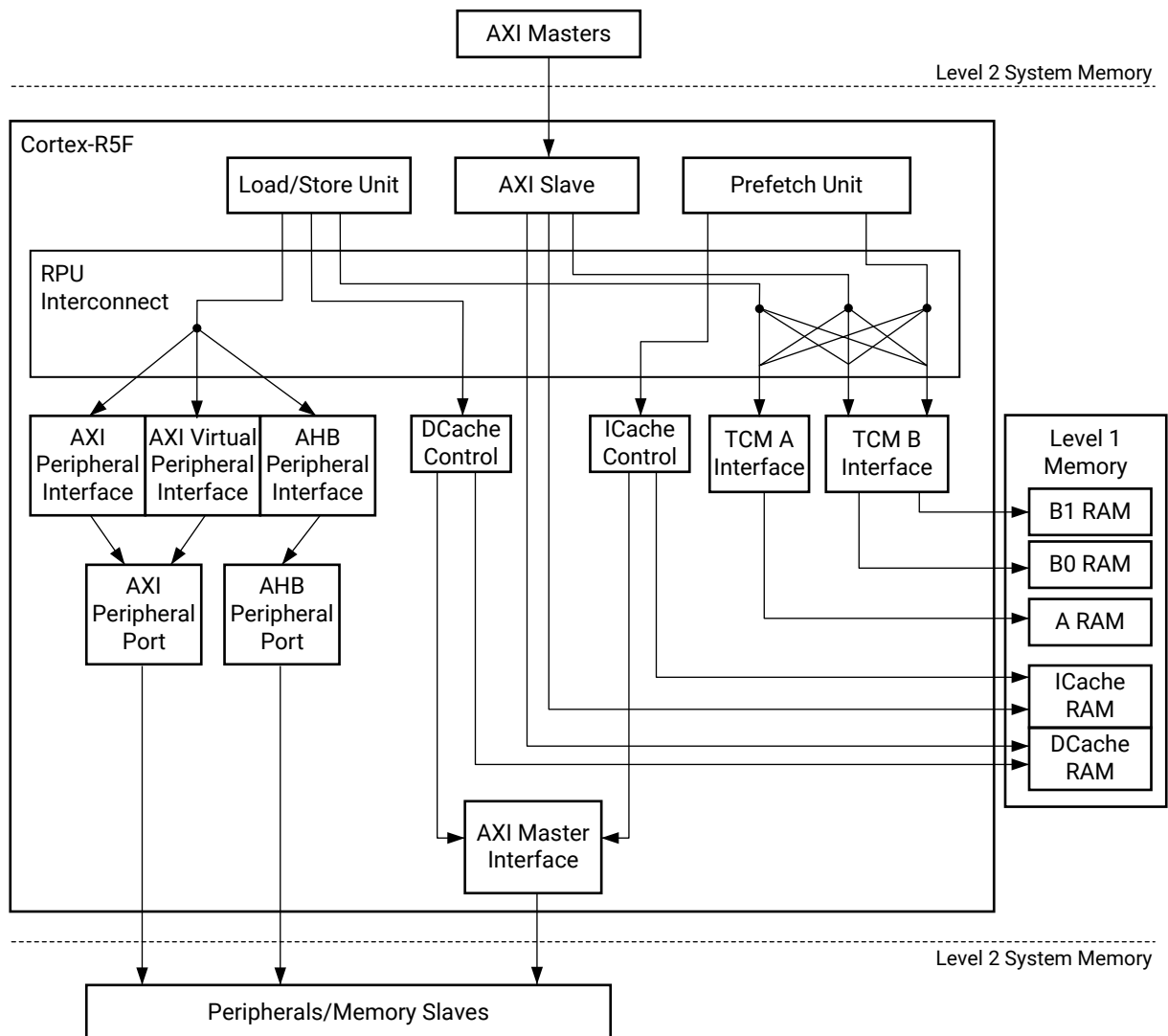
AXI Master Access to CPU Memory

The TCMs can be loaded with code and data coefficients by another system master when the RPU is in its Halt mode. The RPU and TCMs must be powered on and the RPU must be out of reset.

Datapaths

The datapaths to these memories are shown in the following figure.

Figure 40: CPU Memory Datapaths



X23766-050720

Tightly-coupled Memories

The low-latency, tightly-coupled memories (TCMs) provide predictable instruction execution and predictable data load/store timing for the RPU processors. TCM memory address space is not cached.

Each RPU processor contains two 32 KB memories and one 64 KB memory that are accessed via the TCM A and B port interfaces, for a total of 128 KB per processor. In lock-step mode, the processor has access to 256 KB of TCM memory.

The parallel memory architecture of the RPUs allows concurrent accesses of all three banks by the CPU's load-store unit, instruction prefetch unit, and AXI slave port. The TCM_B includes two 32 KB banks for concurrent, parallel access.

Datapaths are 64-bits wide and are protected by ECC. Each CPU includes three datapaths to:

- 64 KB in TCM_A
- 32 KB in TCM_B0
- 32 KB in TCM_B1

TCMs are accessible after the processor is taken out of reset. The processor must be inactive (idle) or in the halt state to allow another master to access the TCMs. The processors have direct connections to their TCMs for low-latency access and there are no protection units.

The datapaths through the RPU are shown in [Processor Memory Datapaths](#).

Usages

The TCMs can be used for any purpose, but are typically used as follows:

- TCM_A for interrupt or exception code for high speed, without cache miss delays
- TCM_B for data in process-intensive applications such as audio or video processing

Power Islands

The PSM controls power islands for each 64 KB TCM bank using register controls. The power islands are described in [Power Islands](#). All TCMs should be powered up or down together.

Memory Error Detection and Correction

The processor provides error checking and correction (ECC) data hardware.

The ECC bits are computed on 32-bit data sets; they are computed and then stored in memory with the data. When the data is accessed, the hardware can detect one and two-bit errors within the 32-bit data and its ECC bits. The hardware detects all two-bit errors and can correct single-bit errors, which is sometimes referred to as a single-error correction, double-error detection (SEC-DED) ECC scheme.

RPU Memory Protection Unit

The RPU memory protection unit (MPU) works with the CPU's L1 memories to control the accesses to and from the TCMs, caches, and external memory.

For a detailed description of the MPU, see the *Cortex-R5F Technical Reference Manual*.

The MPU partitions memory into regions and sets individual protection attributes for each region. When the MPU is disabled, no access permission checks are performed and memory attributes are assigned according to the default memory map. The MPU divides memory into a maximum of 16 regions.

The following can be specified for each region using the MPU memory region programming registers:

- Region base address
- Region size
- Sub-region enables
- Region attributes
- Region access permissions
- Region enable

Interrupts

The RPU includes local and system interrupt controllers.

Interrupt Types

The controller supports the following types of interrupts:

- **Shared peripheral interrupts:** Shared peripheral interrupts (SPIs) are general-purpose interrupts generated by various sources in the system and managed by the GIC RPU interrupt controller. The SPI interrupts are listed in the [System Interrupts](#) chapter.

- **Software generated interrupts:**
 - Software generated interrupts (SGIs) are inter-processor interrupts that are generated by writing to the software generated interrupt register (GICD_SGIR).
 - There are 16 SGIs available for each processor, and they have no effect on the hardware.

General Interrupt Controller and Configurations

The general interrupt controller (GIC) is based on the Arm GIC-390 and it is configurable.

- Security state for an interrupt
- Priority level of an interrupt
- Enabling or disabling of an interrupt
- Processors that receive an interrupt

GIC Programming Interface

The GIC distributor receives interrupts and provides the highest priority interrupt to the CPU interface. An interrupt with a lower priority is forwarded when it becomes the highest priority pending interrupt.

The GIC CPU interface has a priority mask and only accepts a pending interrupt if it is:

- Higher priority than the programmed interrupt mask, and
- Higher priority than the interrupt the processor is currently servicing

System Interrupts Generated by RPU

The RPU generates the system interrupts listed in the following table. These interrupts are also listed in [IRQ System Interrupts](#).

Table 73: RPU Generated System Interrupts

Description	System Interrupt	IRQ #	Notes
Performance monitor	RPU0_PERF_MON RPU1_PERF_MON	40 41	RPU-based performance monitor
Miscellaneous processor errors	RPU0_ERR RPU1_ERR	43 44	Synchronization between RPU SW and PL

GIC Interrupt Controller

There are two interfaces between the RPU MPCore and the RPU GIC.

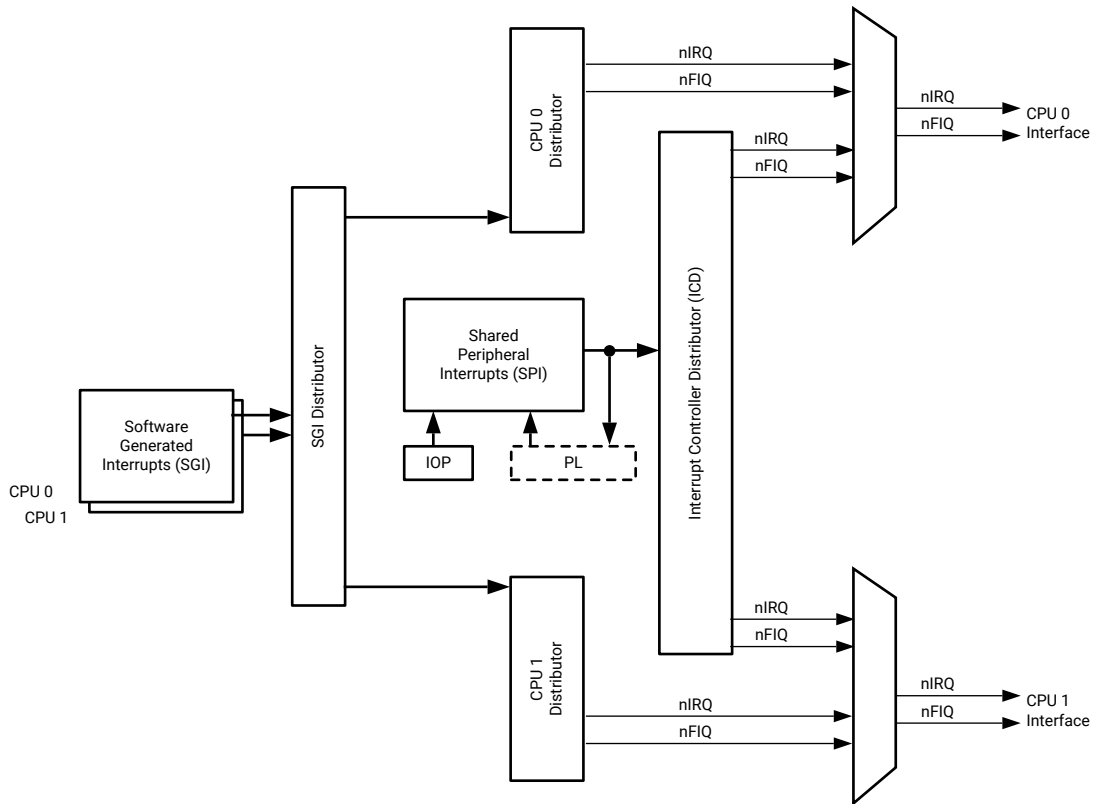
- The distributor interface is used to assign the interrupts to each of the Cortex®-R5F MPCore processors.
- The CPU interface with a separate set of 4 KB memory-mapped registers for each CPU provides protection against unwanted accesses by one CPU to interrupts that are assigned to the other.

The RPU MPCores processors access the RPU_GIC interrupt controller through their peripheral interface switch. The low-latency peripheral interfaces are really designed for strongly ordered or device type accesses, which are restrictive by nature. Memory that is marked as strongly ordered or device type is typically sensitive to the number of reads or writes performed. Consequently, instructions that access strongly ordered or device memory are never abandoned when they have started accessing memory. These instructions always complete either all or none of their memory accesses. The same is true of all accesses to the low-latency peripheral port, regardless of the memory type.

Block Diagram

The GIC block diagram is shown in the following figure with SGI and SPI interrupt inputs.

Figure 41: RPU GIC Block Diagram



X24076-070520

Software Generated Interrupts

Each CPU can interrupt itself, the other CPU, or both CPUs within the MPCore using a software generated interrupt (SGI). There are 16 software generated interrupts. An SGI is generated by writing the SGI interrupt number to the [enable_sgi_control](#) register and specifying the target CPUs. This write occurs through the CPU's own private bus. Each CPU has its own set of SGI registers to generate one or more of the 16 software generated interrupts. The interrupts are cleared by reading the interrupt acknowledge [ICCIAR](#) register or writing to the corresponding bits of the interrupt clear-pending [ICDICPR_SGI](#) register.

All SGIs are edge triggered. The sensitivity types for SGIs are fixed and cannot be changed. The control register is read-only, because it specifies the sensitivity types of all the 16 SGIs.

Shared Peripheral Interrupts

A group of over 150 system interrupts from various modules can be routed to one or both of the CPUs or the PL. The interrupt controller manages the prioritization and reception of these interrupts for the CPUs. The system interrupts are listed in [IRQ System Interrupts](#).

These system interrupts are routed to the shared peripheral interrupt (SPI) ports on the RPU general interrupt controller (GIC).

SPI Interrupt Sensitivity

The shared peripheral interrupts (SPI) from the system IRQs can be targeted to either of the CPUs, but only one CPU handles the interrupt. If an interrupt is targeted to both CPUs and they respond to the GIC at the same time, the MPCore ensures that only one of the CPUs reads the active interrupt ID#. The other CPU receives the spurious (ID 1023 or 1022) interrupt or the next pending interrupt, depending on the timing.

Except for PL-to-PS interrupt signals (IRQ 116 to 127), all interrupt sensitivity types are hardwired by the requesting sources and cannot be changed. The GIC must be programmed to accommodate this. The BootROM does not program these registers. Consequently, the SDK device drivers must program the GIC to accommodate these sensitivity types.

For an interrupt of level sensitivity type, the requesting source must provide a mechanism for the interrupt handler to clear the interrupt after the interrupt has been acknowledged. This requirement applies to any IRQ-F2P[n] (from PL) with a high-level sensitivity type.

For an interrupt of rising edge sensitivity, the requesting source must provide a pulse wide that is large enough for the GIC to catch. This is normally at least two RPU clocks. This requirement applies to any IRQ-F2P[n] (from PL) with a rising-edge sensitivity type.

The sensitivity control for each interrupt has a 2-bit field that specifies sensitivity type and handling model.

Interrupt Prioritization

All of the SGI and SPI interrupt requests are assigned a unique ID number. The controller uses the ID number to arbitrate. The interrupt distributor holds the list of pending interrupts for each CPU and then selects the highest priority interrupt before issuing it to the CPU interface. Interrupts of equal priority are resolved by selecting the lowest ID.

The prioritization logic is physically duplicated to enable the simultaneous selection of the highest priority interrupt for each CPU. The interrupt distributor holds the central list of interrupts, processors, and activation information, and is responsible for triggering software interrupts to the CPUs.

SGI distributor registers are banked to provide a separate copy for each CPU. The interrupt controller ensures that an interrupt targeting more than one CPU can only be handled by one CPU at a time.

The interrupt distributor transmits the highest pending interrupt to the CPU interface. It then receives information that the interrupt is acknowledged, and can then change the status of the corresponding interrupt. Only the CPU that acknowledges the interrupt can respond and process it.

System Errors Generated by RPU

The RPU generates several type of system errors. The system errors are processed by the system error accumulator described in [System Errors](#).

The system errors generated by the RPU are listed in the following table.

Table 74: RPU Generated System Errors

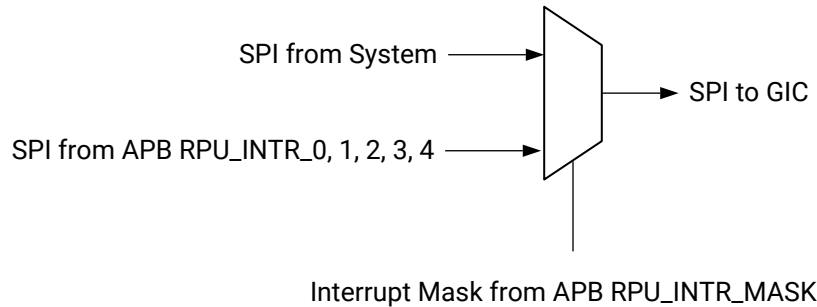
Error Description	Error Name	Error Status Register and Bit Field
Safety configuration lock-step	RPU_LS_ERR	PSM_ERR1_STATUS [RPU_LS]
Safety-mode common-mode failure	RPU_CCF_ERR	PSM_ERR1_STATUS [RPU_CCF]
Uncorrectable memory ECC. Floating point unit (FPU) error. APB programming interface error.	RPU_SYS_ERR	PSM_ERR1_STATUS [RPU]

Test and Debug

Interrupt Injection Mechanism

The RPU implements an interrupt injection function to inject interrupts into the generic interrupt controller's shared peripheral interrupts (SPI). The RPU GIC has 160 SPIs. Software can inject an interrupt on each of the over 150 interrupt lines using this mechanism. The SPIs are divided into five, 32-bit APB registers. The RPU implements an interrupt register and an interrupt mask register. The logic in the following figure is replicated on each interrupt going to the SPI of the RPU's GIC. If the interrupt mask corresponding to the interrupt is set in the RPU_INTR_MASK register, the RPU passes the APB register version of the interrupt to the GIC.

Figure 42: Interrupt Injection



X23765-050720

The following table lists the mapping of the SPI bits.

Table 75: SPI Map to RPU Interrupt and RPU Interrupt Mask Registers

SPI	RPU Interrupt Register	RPU Interrupt Mask Register
SPI<31:0>	RPU_INTR_0<31:0>	RPU_INTR_MASK_0<31:0>
SPI<63:32>	RPU_INTR_1<31:0>	RPU_INTR_MASK_1<31:0>
SPI<95:64>	RPU_INTR_2<31:0>	RPU_INTR_MASK_2<31:0>
SPI<127:96>	RPU_INTR_3<31:0>	RPU_INTR_MASK_3<31:0>
SPI<159:128>	RPU_INTR_4<31:0>	RPU_INTR_MASK_4<31:0>

Events and Performance Monitor Unit

The processor includes logic to detect various events that can occur, for example, a cache miss. These events provide useful information about the behavior of the processor to use when debugging or profiling code.

The events are made visible on an output event bus and can be counted using registers in the performance monitoring unit (PMU). The registers are located in the [DBG_A720_PMU](#) and [DBG_A721_PMU](#) register modules for APU0 and APU1.

Register Reference

There are several register sets associated with the RPU:

- CPU control and status
- Interrupts
- System-level control

Processor Control and Status Registers

The following table provides an overview of the dual RPU system control and status registers. The [RPU_DUAL_CSR](#) register module.

Table 76: Dual RPU Control and Status Register Overview

Register Name	Address Offset	Access Type	Description
GLOBAL_CNTL	0x000	RW	Global control
GLOBAL_STATUS	0x004	R	Miscellaneous status information
ERROR_CNTL	0x008	RW	Error response enable/disable
CCF_VAL	0x054	RW	Common cause signal value
CCF_MASK	0x024	RW	Common cause signal mask
SAFETY_CHK	0x0F0	RW	Safety check register
RPU0_CONFIG RPU1_CONFIG	0x100 0x200	RW	Configuration parameters
RPU0_STATUS RPU1_STATUS	0x104 0x204	R	RPU status
RPU0_PWRDWN RPU1_PWRDWN	0x108 0x208	RW	Power-down request from the CPU
RPU0_ISR, RPU1_ISR	0x114, 0x214	WTC	Interrupt status
RPU0_IMR, RPU1_IMR	0x118, 0x218	R	Interrupt mask
RPU0_IEN, RPU1_IER	0x11C, 0x21C	W	Interrupt enable
RPU0_IDR, RPU1_IDR	0x120, 0x220	W	Interrupt disable
RPU0_CACHE_BASE RPU1_CACHE_BASE	0x124 0x224	RW	Slave base address
RPU0_AXI_OVERRIDE RPU1_AXI_OVERRIDE	0x128 0x228	RW	AXI master attribute override

PS DMA Controller

The general purpose PS DMA controller is located in the LPD with the RPU and moves data from a source to a destination on the interconnect. The controller includes an AXI4 interface to read and write memory with 16 word transfers for a total of 64 bytes per transaction.

The controller's two main programming modes are a simple register-based control and a flexible linked descriptor table mode. In descriptor mode, the controller autonomously fetches the descriptor tables from system memory.

The controller has eight separate channels that share common resources including the common buffer. Each channel can be independently enabled, paused, or disabled at any time. The pause functionality allows software to program a new sets of descriptors midway through the block memory transfer.

The DMA implements a 4 KB common data buffer that is shared by all eight channels. A controller structure is automatically managed by hardware where software enables and disables a channel without concern for the allocation of the common data buffer. Each channel uses the buffer on a first-come first-served basis. Buffer usage of each channel is controlled by programming registers for issue capability and rate control of a channel.

For descriptor based operation, the DMA controller implements independent source (SRC) and destination (DST) descriptors tables. The controller can transfer any size payload up to 1 GB with byte granularity. Descriptor payloads can start and end on any byte alignment.

For performance, the controller supports an optional over fetch feature. For memory sources that cannot support over fetch, the software can disable the feature on a per channel basis. Xilinx recommends only using this feature if it is supported by the source being read.

Features

- Eight independent channels
- Scatter-gather descriptor driven mode
- Simple DMA mode

AXI DMA

- 128-bit AXI4 interface, 44/48-bit address
- Data transfers from one block of memory to another
- Descriptor driven with scatter-gather functionality
- Burst length of 16 data transfers
- Source (SRC) and destination (DST) payloads can start and end at any alignment, DMA takes care of 4 KB boundary crossing

Operations

- DMA transfers can be programmed to initiate secure or non-secure transactions
- Up to 32 outstanding source transactions per channel
- Over fetching can be enabled/disabled on per channel basis
- Periodic transaction scheduling – period can be independently programmed per channel
- Simple register-based DMA and scatter-gather (SG) DMA modes
- Hybrid descriptor option in SG DMA mode
- DMA start, stop, and pause features
- Completion and error interrupts on a per-channel basis
- Error recovery
- Descriptor prefetch to maximize efficiency with 128-bit aligned source and destination payloads
- Incremental and fixed type bursts, fixed bursts only in simple DMA mode
- Independent AXI burst length on both the source and destination transactions
- Flow control on a per channel basis with option PL EMIO flow control interface signals

Read-only DMA mode

- Read data is discarded in this mode
- Available in simple DMA mode

Write-only DMA mode

- Data specified in the control register is written to destination address locations, no read command is issued
- Available in simple DMA mode

Comparison to Previous Generation Devices

The LPD DMA is based on Xilinx® IP. The DMA version in the Versal ACAP is the same as in the Zynq® UltraScale+™ MPSoCs except a 4 KB common buffer is implemented and there is a minor change in the flow control interface (FCI) operation to the PL.

Note: In the Versal device, the behavior of the DMA2PL_CACK flow control signal is different from that of the Zynq UltraScale+ MPSoC. In Versal devices, the PL must not use DMA2PL_CACK in combinational logic to generate PL2DMA_CVLD because it can cause unpredictable operation. The signal is shown in [PL Flow-Control Interface](#).

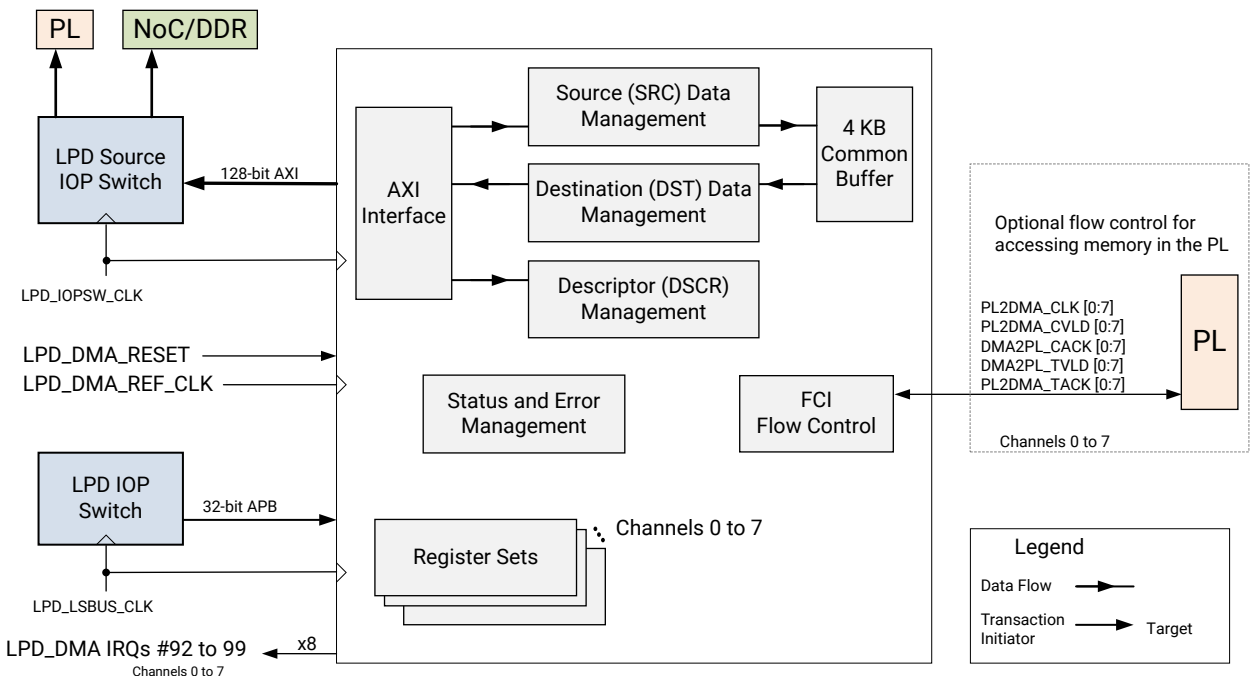
Note: The LPD DMA is a PS DMA controller that is also known as the ADMA and is implemented using the Xilinx ZDMA core.

System Perspective

Block Diagram

The system perspective block diagram is shown in the following figure.

Figure 43: System Block Diagram



X24032-093021

Functional Units

The major functional blocks include:

- Common buffer
- Arbiter
 - AXI read channel
 - AXI write channel
- DMA engine channels

Common Buffer

A common buffer is shared between the DMA channels to hold the AXI read transaction data before it goes out on an AXI write channel. The common buffer is sized to allow usage of the full AXI bandwidth. The size of the LPD_DMA common buffer is 4 KB.

- Shares the full buffer space between enabled channels. When only one channel is enabled, it can use the full buffer memory space.
- Does not use/reserve any space in the memory if a channel is disabled (from a previous enable).
- In the event of an error, the DMA channel frees all occupied common buffer entries.
- Shared buffer on a first-come first-served basis.
- Software can limit the common buffer usage of a particular channel by programming read-issuing and rate-control registers. The design of the DMA ensures no starvation on any channel irrespective of their rate control and read issuing parameters.

System Interfaces

AXI Read Arbiter

Each DMA channel uses the AXI master interface to read data descriptor tables and read/write data buffers. The DMA implements round-robin arbitration. Arbitration is never granted to any request if the common buffer does not have enough space. Consequently, the DMA does not put back pressure on the AXI read channel.

If there is not enough space in the common buffer, the arbiter stays parked on the requesting channel until space is available.

AXI Write Arbiter

The DMA channels share an AXI write channel. The features of the write arbiter are:

- Round-robin arbitration
- Common buffer flush in the event of an error

Memory Coherency

The reads and writes can be routed to the cache coherent interconnect (CCI) in the FPD for memory coherency with the APU L2 cache. In descriptor mode, the memory coherency parameters for the DMA transfer are sourced from the descriptor table in memory. In the simple register DMA mode, the memory coherency parameters are sourced from APB registers.

- Register DMA
- Descriptor table, scatter-gather, SG DMA

The DMA coherent transaction routing to the CCI is controlled by the LPD_INT_CSR.ROUTE_DMA register.

Register DMA

The memory coherency is controlled by the PS_DMA register.

SG DMA

Software programs the SRC and DST descriptors. Software programs registers to point to the start of these descriptors in memory, and enables the channel. Upon receiving a channel enable, the DMA channel fetches SRC and DST descriptors from memory and uses these parameters to perform the actual data transfer. It is the responsibility of the software to program descriptors before enabling a channel.

PL Flow Control Interface

DMA flow control signals are routed to the PL to manage accesses to PL memories. These signals are not used when accessing non-PL memories, which includes DDR, OCM, XRAM, etc.

Programming Guide

The DMA channel control and status registers provide individual channel controllers. In simple DMA mode, these registers are used to move data. In link-list mode, these channels process descriptor tables to move data in memory.

Performance Considerations

The DMA provides more optimal performance when the controller is programmed with the following considerations:

- Read and write descriptor payloads are 128-bit aligned (in scatter-gather mode)

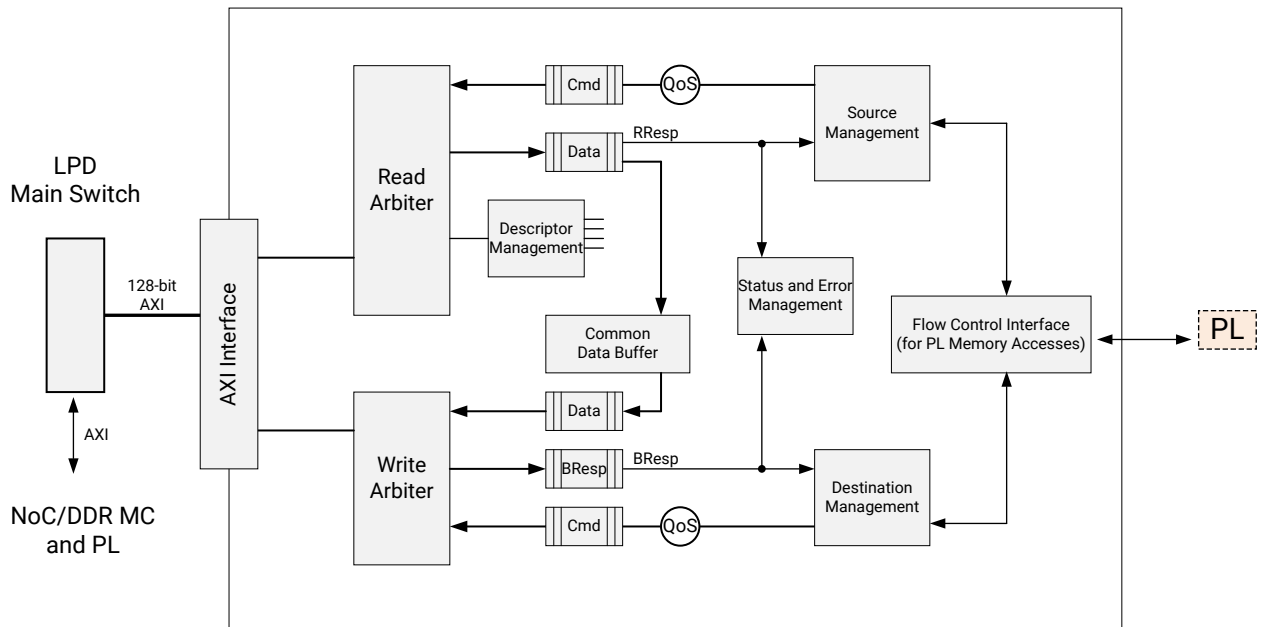
- SRC and DST descriptors are 256-bit aligned
- SRC and DST payload is >4 KB

The guideline is to match the capabilities of the read and write AXI channels and the DMA for the AXI read and write channels.

Channel Block Diagram

The DMA channel is responsible for the DMA operation and management.

Figure 44: Channel Block Diagram



X24033-011121

Modes and States

The controller has simple and scatter-gather modes with an optional hybrid mode. The controller can be in an active or inactive state.

Modes

Each DMA channel is independently programmed in one of the following DMA modes:

- Simple mode

- Scatter-gather (standard and hybrid modes)

States

- Active
- Inactive

Simple Mode Programming

Simple DMA mode is also known as single-command mode because the DMA performs a data transfer upon receiving a command in a mono-shot manner. In simple DMA mode, the DMA transfer parameters are specified in the control registers. The DMA channel uses these parameters to transfer the data from the SRC to the DST side. This is the single command mode where the DMA channel operation is done after finishing the transfer. Subsequent transfers require the following steps:

1. Update the control registers with new transaction parameters.
2. Enable the DMA channel.

The DMA channel only looks at the SRC size of the transaction. It is always assumed that the transaction size of the DST side is the same as the SRC side's transaction size.

There are simple DMA sub-modes. The read-only and write-only modes are only supported in simple DMA mode. Each channel can be programmed in one of the following sub modes:

- In the read-only mode, the DMA channel reads the data (register specified location) but does not write the data anywhere. This feature can be used to scrub the memory.
- In the write-only mode, the DMA channel reads preloaded data from the control registers and writes it to memory. The DMA channel does not read data from a memory location. Software loads the source data into the registers that are used to write the DST locations. In write-only mode, both SRC and DST registers need to be configured.

Sequence Steps

The sequence steps for simple mode are outlined in this section.

Step 1

Wait until the DMA is in an idle state by reading the [STATE] field of [CH_STATUS](#) register and ensuring it is either 00 or 11. In the case where the DMA is in PAUSE state, follow the steps to bring the DMA out from PAUSE as described in [Channel Pause](#).

Step 2

- Ensure that the [CH_CTRL0](#) [POINT_TYPE] bit is set = 0.
- Program the data source buffer address LSB into register [CH_SRC_DSCR_WD0](#).
- Program the data source buffer address MSB into register [CH_SRC_DSCR_WD1](#).

Step 3

- Program the data destination buffer address LSB into register [CH_DST_DSCR_WD0](#).
- Program the data destination buffer address MSB into register [CH_DST_DSCR_WD1](#).

Step 4

- In simple DMA mode, both the SRC and DST transaction sizes must be programmed. The DMA uses the SRC transaction size but it also requires programming both registers. Program the source data size into the [CH_SRC_DSCR_WD2](#) register.
- Program the destination data transaction size into the [CH_DST_DSCR_WD2](#) register. Make sure that the SRC and DST transaction sizes are the same.

Step 5

Optionally, enable an interrupt by setting INTR as a 1 in the [PS_DMA.CH_DST_DSCR_WD3](#) and/or [CH_SRC_DSCR_WD3](#) registers.

Step 6

- If the source and destination buffer are allocated in non-cacheable memory or software flushes the caches, then:
 - Set the [DMA_Route](#) [routing] bit.
 - Program the [ARCACHE] and [AWCACHE] bits in the [CH_DATA_ATTR](#) register to indicate a cacheable transaction (e.g., 1111h).

Step 7

Enable the DMA channel to perform DMA transfers by setting the [EN] bit of [CH_CTRL2](#) register. After enabling DMA, check for possible error conditions as described in [Interrupts](#).

Descriptor Mode Programming

Transfer parameters are specified in the buffer descriptors (BD). Software programs the SRC and DST BDs and enables a channel. The DMA channel uses the SRC and DST parameters for data transfer in a continuous fashion, as long as there are requests for data transfer in the source BDs and available destination buffers pointed by the destination BD. This can be viewed as memory-to-memory transfer. The channel fetches the first descriptor from the DSCR start address upon receiving an enable.

Data Flow

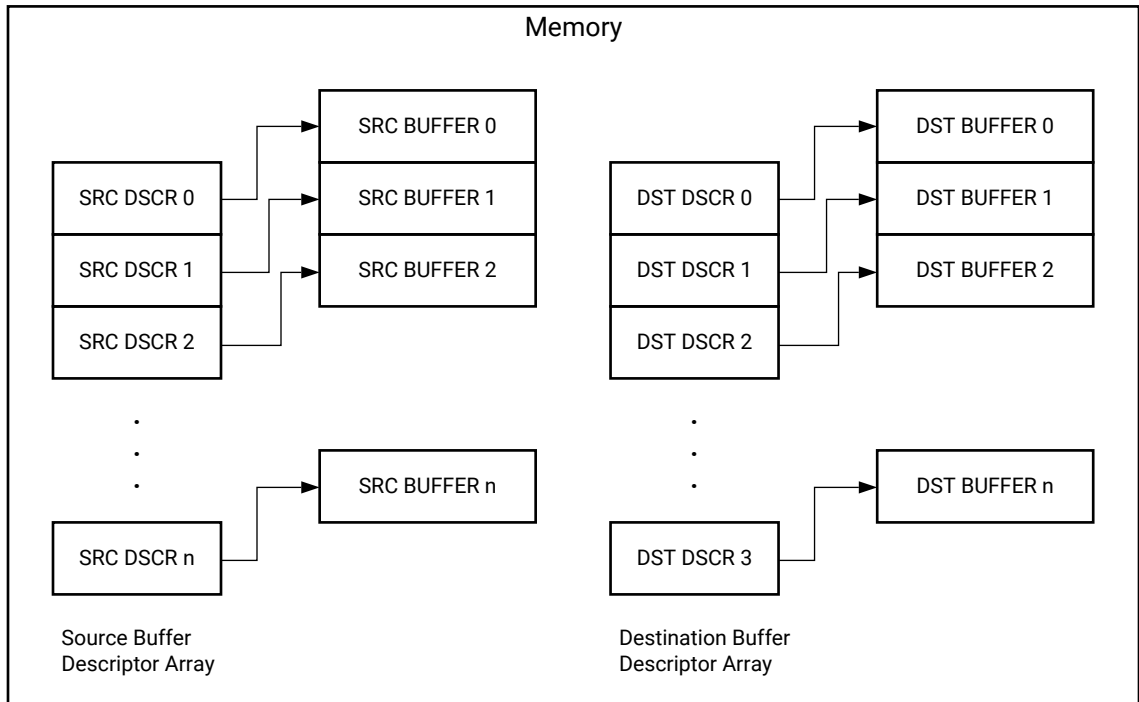
This section outlines the DMA model, modes, and the buffer descriptor (BD) format.

Model

The LPD DMA controller has eight DMA channels. Each channel is divided into two functional sides (in simple DMA mode) or two queues (in scatter-gather DMA mode), source (read) and destination (write).

The schematic in the following figure illustrates the source and destination side scatter-gather mode buffer descriptor arrays. The buffer descriptors (DSCR) point to their respective buffers. The DMA facilitates transfer of data from source (SRC) buffers to destination (DST) buffers. A source side descriptor can go to multiple destination side descriptors.

Figure 45: SRC and DST Descriptors Pointing to Data Buffers



X23733-032520

Buffer Descriptor Format

The buffer descriptor (BD) format used in scatter-gather mode is shown in the following table. Both the SRC and DST implement the same format descriptor with a few exceptions. Similar words are implemented in the control registers, which can be used in simple DMA mode. By dividing the descriptor into 32-bit words and implementing them on the control registers, a consistent view is provided in both simple and scatter-gather mode.

Table 77: Buffer Descriptor Format

Word Number	Field Name	Size (bytes)	Bits	Description
0	ADDR LSB	4	[31:0]	Lower 32 bits of the address pointing to the data/payload buffer.
1	ADDR MSB	4	[11:0]	Upper 12 bits of the address pointing to the data/payload buffer.
			[31:12]	Reserved.
2	SIZE	4	[29:0]	Buffer size in bytes (1 G = 2 ³⁰)
			[31:30]	Reserved.

Table 77: Buffer Descriptor Format (cont'd)

Word Number	Field Name	Size (bytes)	Bits	Description
3	CNTL	4	[0]	Coherency: Reserved
			[1]	DSCR element type: Each descriptor can be viewed as a 128/256-bit descriptor. 0: Current descriptor size is 128 bits (linear) 1: Current descriptor size is 256 bits (linked-list)
			[2]	INTR 0: Completion interrupt is not required 1 (SRC-side): Interrupt is set at the completion of this element. Completion indicates that data is read, but it could be in the DMA buffer (and not yet written to destination). 1 (DST-side): Interrupt is set at the completion of this element. Completion indicates that data is written to the destination location and BRESP is received.
			[4:3]	CMD This field is valid only on a SRC descriptor and is reserved on a DST descriptor. 00: Next DSCR is valid, the DMA channel continues with scatter-gather operation (in this case). Software must ensure that the next descriptor is valid. 01: Pause after completing this descriptor. Software can use this command to pause the DMA operation and update the descriptors. After the software is done updating the descriptors, it can resume the channel from where it paused. If software has updated a descriptor to new location, it can resume the channel and tell it to fetch the descriptor from the new location. Pause mode allows software to keep the state of the channel and avoid the enable sequence. 10: STOP after completing this descriptor. After the DMA channel detects STOP, it finishes the current descriptor payload transfer and goes to IDLE. Any subsequent transfer requires the software to follow an enable sequence. STOP does not preserve the state of the channel. 11: Reserved.
			[31:5]	Reserved.
4	NEXT ADDR LSB	4	[31:0]	Lower 32 bits of the NEXT descriptor address. This field exists only if the DSCR element type is set as 1.
5	NEXT ADDR MSB	4	[11:0]	Upper 12 bits of the NEXT descriptor address.
			[31:12]	Reserved. This field exists only if the DSCR element type is set as 1.
6	Reserved	4	[31:0]	Reserved. This field exists only if the DSCR element type is set as 1.

Table 77: Buffer Descriptor Format (cont'd)

Word Number	Field Name	Size (bytes)	Bits	Description
7	Reserved	4	[31:0]	Reserved. This field exists only if the DSCR element type is set as 1.

Descriptor Format

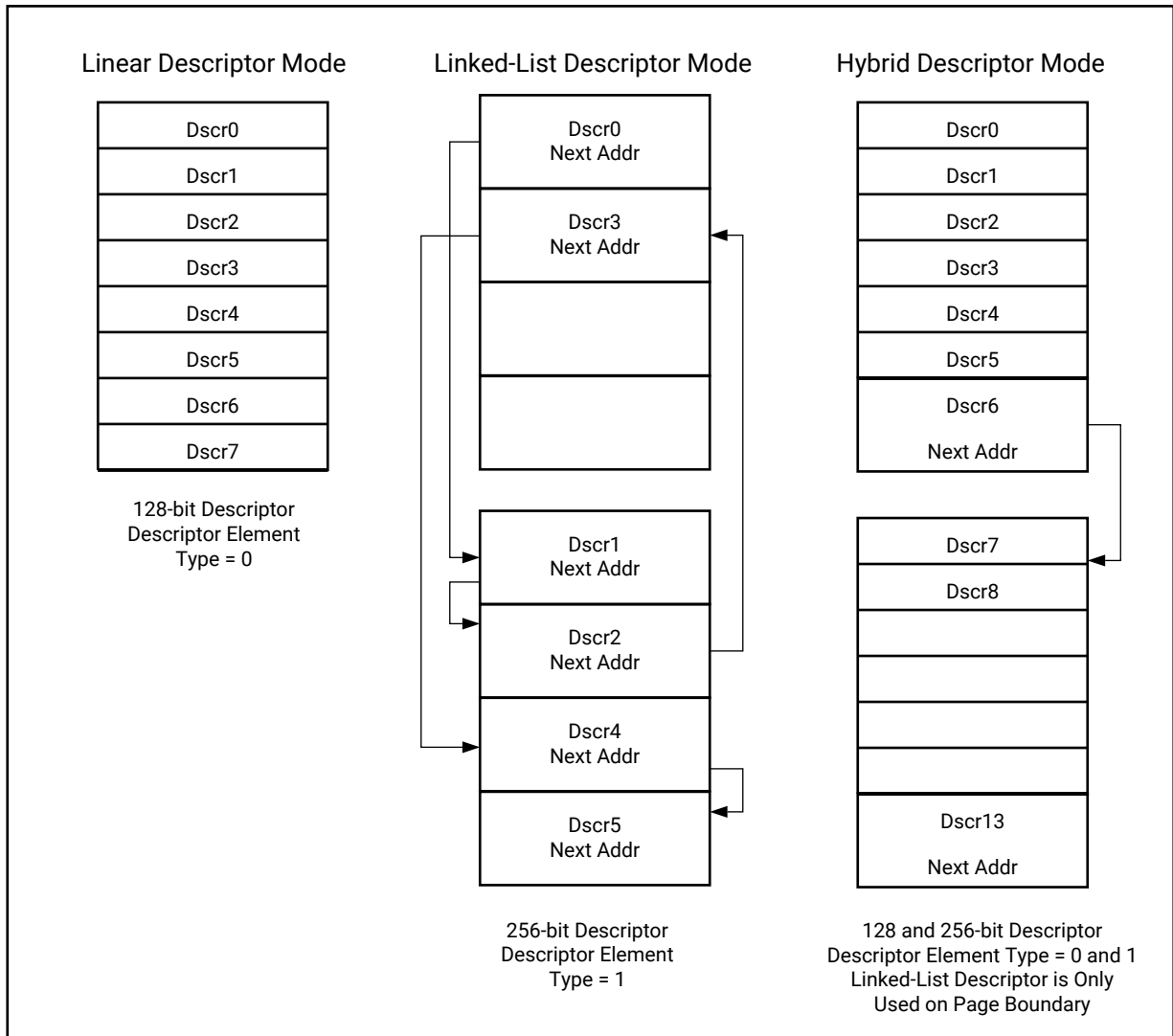
In scatter-gather DMA mode, the channel reads the data from the address specified in the SRC descriptor and writes to a location specified by the DST descriptor. The DMA implements a hybrid descriptor to support descriptor storage in two formats.

- Linear
- Linked-list
- Hybrid (multiple linear buffer descriptor arrays chained as a linked list)

Software can make use of a hybrid descriptor to dynamically switch between linear and linked-list mode. The hybrid descriptor approach allows the DMA driver software to arrange descriptors in a contiguous array of BDs, a linked list of BDs, or a mixed mode in which contiguous arrays of BDs can be chained together to create a linked list of BD arrays. This approach allows the driver software to be designed in a manner in which BDs can be allocated at initialization or in real time (and chained to a preceding BD). In applications where contiguous sets of memory are easily available, the software driver might not be able to manage a link list for descriptor storage. In this case, the descriptor can be stored in a linear array.

To support previously described cases, the DMA implements a hybrid descriptor. Each descriptor on the SRC and DST side implements a bit descriptor-element type, which indicates the type of the current descriptor. This allows software to switch between a linear and a link-list scheme dynamically. The following figure shows supported descriptor modes.

Figure 46: DMA Supported Descriptor Mode Use-cases in Scatter-Gather Mode

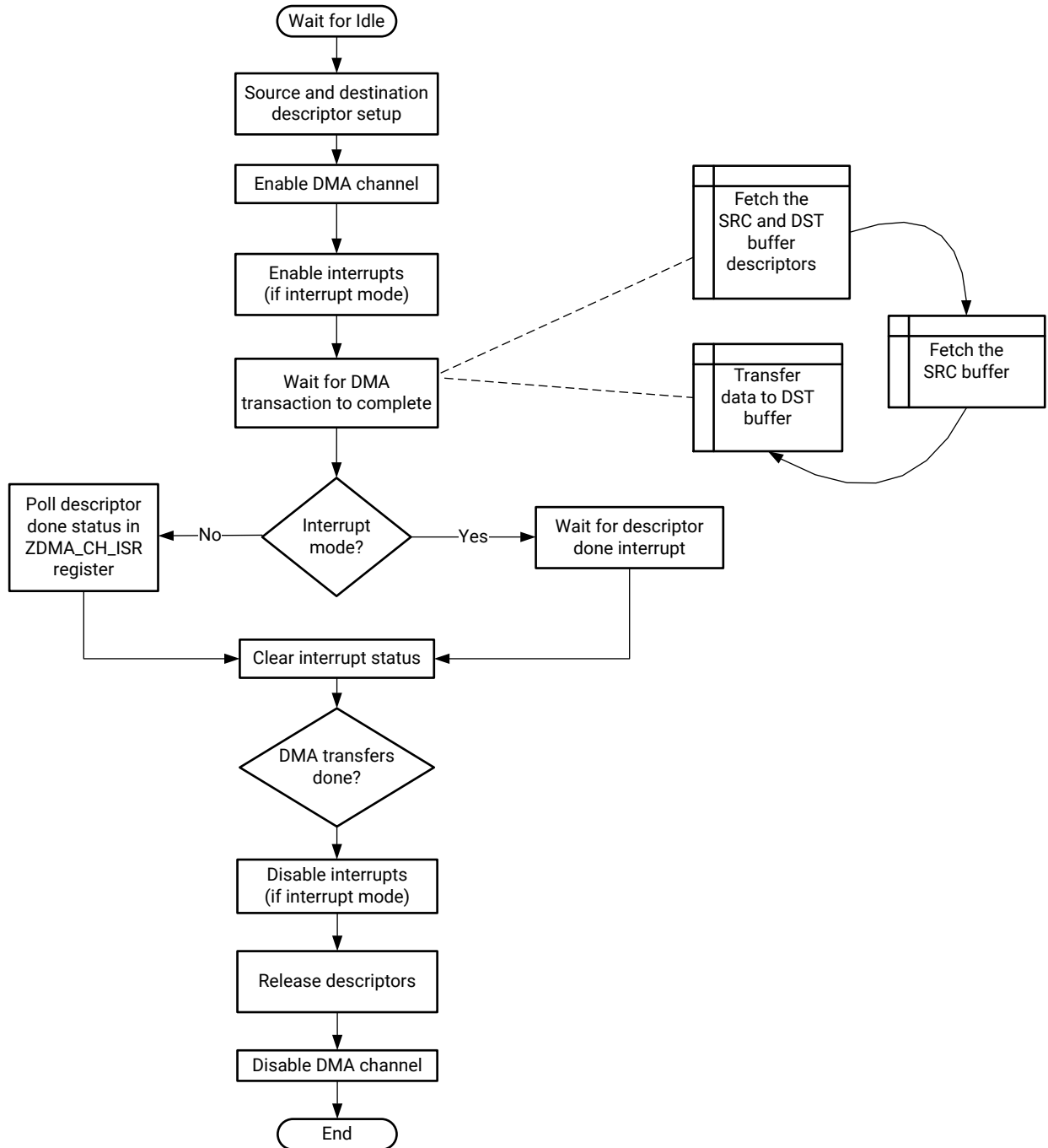


X23734-030520

Linked List Mode Use Case

Linear mode is used when software can find a contiguous set of memory to accommodate all the buffer descriptors necessary (source and destination) as an array. The flowchart in the following figure captures the main steps.

Figure 47: Linked List Flowchart



X23741-030920

Step 1

Ensure that the DMA is not in a busy state by reading the [STATE] field of [CH_STATUS](#) register and ensuring that it is not 10. If DMA is in the pause state, follow the steps to bring it out of the pause state as described in [Channel Pause](#).

Step 2

1. Ensure the [POINT_TYPE] bit in [CH_CTRL0](#) register is set to 1.
2. Allocate the source buffer descriptor objects in memory. Ensure that the buffer descriptor object address is 256-bit aligned.
3. If the source and destination buffer are allocated in non-cacheable memory or software flushes the caches, then:
 - Set the [DMA_Route](#) [routing] bit.
 - Program the [ARCACHE] and [AWCACHE] bits in the [CH_DATA_ATTR](#) register to indicate a cacheable transaction (e.g., 1111h).
4. Allocate the destination buffer descriptor objects in memory. Ensure that the buffer descriptor object address is 256-bit aligned. The address of the first buffer descriptor in a list is written to [CH_DST_START_L](#) and [CH_DST_START_U](#) registers.



TIP: The buffer descriptors can also be pre-allocated during initialization time.

Step 3

For each allocated source buffer descriptor object, program the following.

1. Program the source data fragment to transfer into the source buffer descriptor object. The ADDR LSB and ADDR MSB fields are programmed.
2. Program the size of each source data fragment to transfer into the source buffer descriptor object. The size field is programmed.
3. Set the coherency bit if the source data buffer uses the CCI-500 for hardware coherency. Set the ARCACHE field in the [CH_DATA_ATTR](#) register to indicate a cacheable transaction with a value such as 1111b.
4. Set the DSCR element type to 0.
5. Set the INTR field if an interrupt is required after the data is read for transfer. Typically, this can be set for the buffer descriptor object corresponding to the last source data fragment. Setting the last source descriptor for interrupt reduces the number of interrupts received.
6. The non-final buffer descriptor command field can be set to 00 for the next descriptor valid. For the final buffer descriptor, set the command field to 10 for STOP after completing this descriptor.



TIP: If desired, set 01 to pause after completing the descriptor to put the DMA in a paused state after completing the final buffer descriptor. The steps to bring a channel out of pause into a enabled/disabled state are described in [Channel Pause](#).

7. Program the NEXT ADDR LSB and NEXT ADDR MSB to point to the next source buffer descriptor. If this is the last buffer descriptor in a linked list, these fields must be null.

Step 4

For each allocated destination buffer descriptor object, program the following.

1. Program the destination data fragment to transfer into the destination buffer descriptor object. The ADDR LSB and ADDR MSB fields are programmed.
2. Program the size of each destination data fragment to transfer into each respective destination buffer descriptor. The size field is programmed.
3. If the source and destination buffer are allocated in non-cacheable memory or software flushes the caches, then:
 - Set the [DMA_Route](#) [routing] bit.
 - Program the [ARCACHE] and [AWCACHE] bits in the [CH_DATA_ATTR](#) register to indicate a cacheable transaction (e.g., 1111h).
4. Set the DSCR element type to 0.
5. Setting the last source descriptor for interrupt reduces the number of interrupts received. Set the INTR field if an interrupt is required after the data is read for a transfer. Typically, this is set for the buffer descriptor corresponding to the last source data fragment. Setting the last destination descriptor for interrupt reduces the number of interrupts received.
6. The non-final buffer descriptor command field can be set to 00 for the *next descriptor valid*. For the final buffer descriptor, set the command field to 10 for *STOP after completing this descriptor*.



TIP: If desired, set 01 to pause after completing the descriptor to put the DMA in a paused state after completing the final buffer descriptor. The steps to bring a channel out of pause into a enabled/disabled state are described in [Channel Pause](#).

7. Program the NEXT ADDR LSB and NEXT ADDR MSB to point to the next destination buffer descriptor. If this is the last buffer descriptor in a linked list, these fields must be null.

Step 5

Enable the DMA channel by writing into the control register [CH_CTRL2](#). This initiates the DMA data transfer.

Step 6

Upon transfer completion, the DMA channel provides interrupts to the processor depending on how the INTR field of the buffer descriptors are set. For information on handling interrupts, see [Interrupt Handling](#).

Software can use [CH_IRQ_DST_ACCT](#) and [CH_IRQ_SRC_ACCT](#) registers to decipher the number of processed buffer descriptors on the source and destination sides. Software can internally maintain counters of both the number of source and destination buffer descriptors configured for the data transfer. Upon updating the registers with an equal count, software can infer that the data transfer is complete. Software should count only those descriptors for which interrupts are enabled.

Step 7

After the DMA transfers are done, disable the DMA channel. See [Channel Disabled](#) for more information.

Linear Descriptor Use Case

In the linear descriptor use case mode, BDs are stored in a linear array. In [Figure 46](#), the first block shows the linear descriptor mode. This can be considered as one 4K page. Each descriptor is 128 bits and the DMA channel can fetch 256 bits on every descriptor read. This allows the DMA to fetch two descriptors in a single AXI read and reduces the number of descriptor fetches.

- Each descriptor is 128 bits wide
- Each descriptor must be 128-bit aligned
- The descriptor element type is always 0 (in linear descriptor mode).

ADDR LSB [31:0]		WORD0
RSVD [31:12]	ADDR MSB [11:0]	WORD1
RSVD [31:29]	SIZE [29:0]	WORD2
RSVD [31:5]	CNTL [4:0]	WORD3

Linked-List Descriptor Use Case

Each descriptor is 256 bits wide, the first 128 bits store the descriptor information and the next 128 bits provide a pointer to the next descriptor. In this mode, the descriptor can be located anywhere in the memory (it might not be in the same 4K page).

- Each descriptor is 256 bits wide.
- Each descriptor must be 256-bit aligned.
- The descriptor element type is always 1 (in link-list descriptor mode).
- DMA channel can only fetch the next descriptor if it has read a current descriptor. Two descriptor fetches require two AXI reads.

ADDR LSB [31:0]		WORD0
RSVD [31:12]	ADDR MSB [11:0]	WORD1
RSVD [31:29]	SIZE [29:0]	WORD2

RSVD [31:5]	CTRL [4:0]	WORD3
NEXT DSCR ADDR LSB [31:0]		WORD4
RSVD [31:12]	NEXT DSCR ADDR MSB [11:0]	WORD5
RSVD [31:0]		WORD6
RSVD [31:0]		WORD7

Hybrid Descriptor Use Case

Linear and link-list descriptor types can be chained to reduce software and hardware overhead. For example, if software allocates two noncontiguous 4 KB pages to store descriptors, then it can contiguously store BDs in the first page and make the last BD of the first page point to the first BD of the next available page. Because the next address pointer in linear descriptor is not required, this scheme reduces both memory usage and software overhead. The descriptor mode diagram (Figure 46) details this use case.

- Each descriptor is aligned to its natural size.
 - Linear descriptor is 128-bit aligned.
 - Link-list descriptor is 256-bit aligned.

Buffer Descriptor Summary

- Both the SRC and DST descriptors must be aligned to their size.
- For efficiency, a DMA can prefetch a descriptor.
- The circular descriptor should always have at least one link-list element.
- Descriptors are not updated back to the memory. For instance, after a SRC/DST buffer descriptor is used by the DMA for data transfer, no updating of any field of SRC or DST buffer descriptor occurs to signal completion of a buffer descriptor to the software.
- A completion interrupt, along with status (interrupt accounting), is supported. The software can read the content of PS_DMA.CH0_IRQ_SRC_CNT and PS_DMA.CH0_IRQ_DST_CNT registers to find the number of buffer descriptors processed.

Interrupt Handling

Follow these steps to perform interrupt handling.

1. Read the status from the LPD_DMA.CH_ISR register.
2. If the [DMA_DONE] bit is set, mark the channel state as idle in the software context.
3. Check if the [DMA_PAUSE] bit is set. If yes, set the channel state to paused in the software context.
4. If any other error bit is set, set the channel as idle in the software context.

5. Clear the interrupt status from the LPD_DMA.CH_ISR register by writing back the value read in step 1.

Done Interrupt Accounting

Note: The DMA channel does not update descriptors in memory.

When the controller is finished processing a descriptor table, it generates a SRC/DST done interrupt and updates the interrupt count register. Each channel includes the following scheme on both the SRC and DST sides.

- The software can selectively request a completion interrupt on descriptors. After a descriptor is processed, the DMA increments the interrupt count register.
- A SRC descriptor done interrupt is generated after the DMA is done reading all the data corresponding to the source buffer descriptor. The SRC descriptor done interrupt does not guarantee that data is written at a destination location. Data can still be in a shared common buffer.
- A DST descriptor done interrupt is generated after the DMA channel receives a response to the last AXI write of the buffer corresponding to the DMA buffer descriptor. The DST done interrupt ensures that data has been written to the memory location.

An interrupt is generated to the software as soon as the interrupt accounting's count transitions to non-zero. When the software takes this interrupt, it should also read the interrupt accountings register. Count provides the number of processed descriptors with interrupt enabled. This counter is cleared on read (due to coherency). This scheme eliminates the need for a timeout mechanism. It also provides flexibility to the software to enable an interrupt on a required descriptor.

The DMA channel implements a separate 32-bit interrupt account counter for the source and destination sides. If the software does not read/clear the counter for a long time, this counter can overflow. The DMA generates an interrupt to indicate the overflow condition on the interrupt accounting counter. If a counter over flows on the last descriptor of a DMA transfer (DMA DONE), the interrupt accounting counter overflow interrupt is generated.

Over Fetch

The DMA supports an AXI bus width of 128/64 bits. In the case where the source descriptor payload ends at a non-128/64 bit aligned boundary, the DMA channel fetches the last beat as the full-128/64 bit wide bus. This is considered an over fetch. The over fetch option can be disabled. If an over fetch is disabled and the SRC descriptor payload ends on a non-128/64 bit boundary, the DMA fetches any remaining bytes as a single byte AXI read.

The example in the following figure uses a source descriptor size of 8190 bytes (with a start address at `0x0000_0000` and end address at `0x0000_1FFD`), a 128-bit wide AXI bus, and a burst length of 16, the DMA can fetch 256 bytes in a single AXI burst. Two scenarios are provided in this section.

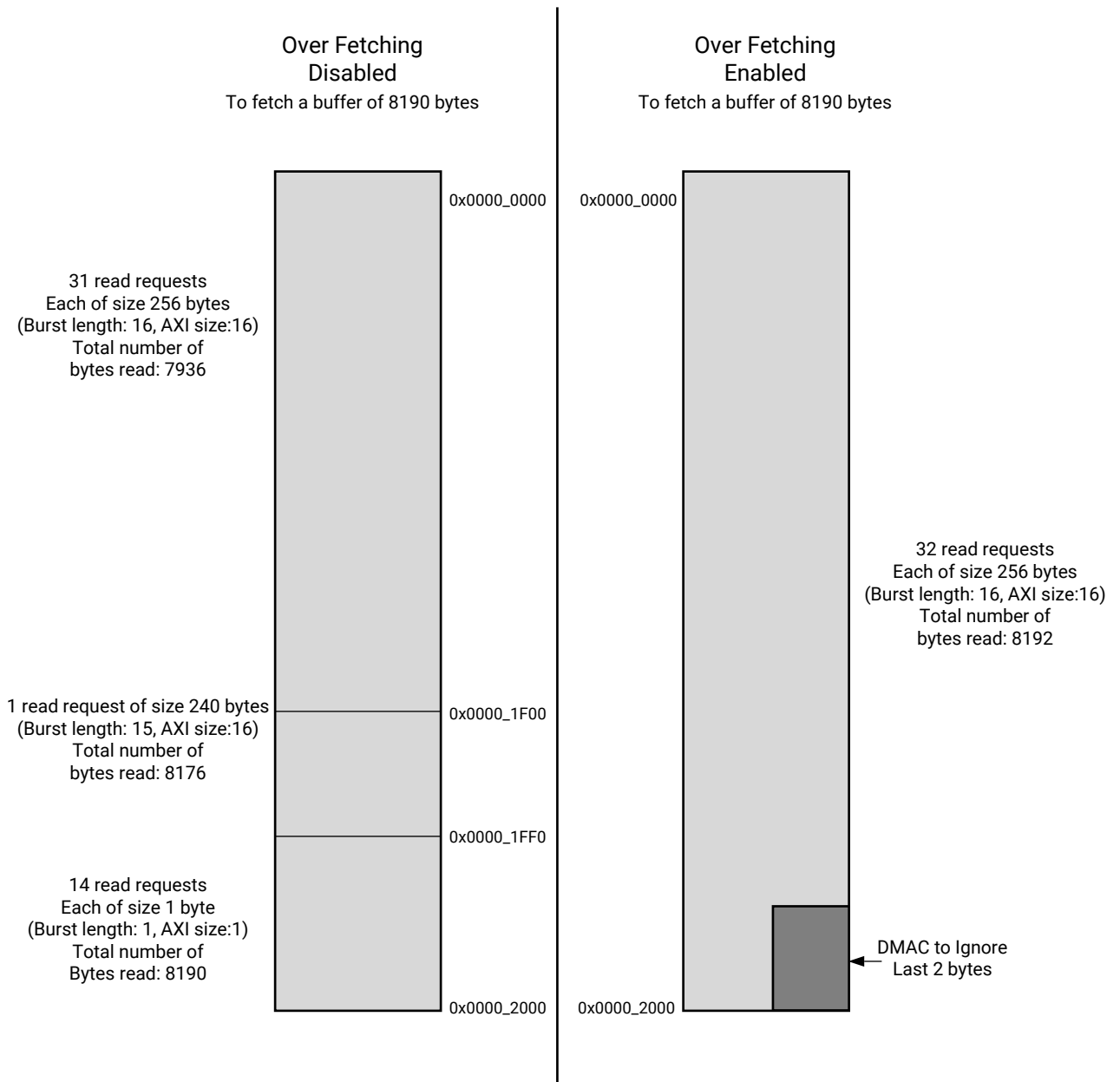
Scenario 1: Over Fetch is Disabled

- 31 AXI read command with burst length of 16 and AXI size of 16 bytes (7936 bytes fetched).
- One AXI read command with burst length of 15 and AXI size of 16 bytes (240 bytes fetched).
- To fetch the remaining 14 bytes, the DMA channel issues 14 single-beat AXI read commands with an AXI size of 1 byte.

Scenario 2: Over Fetch is Enabled

- 32 AXI burst length of 16 and AXI size of 16 bytes (8192 bytes fetched)

Figure 48: Over Fetch Scenarios



X23737-042320



RECOMMENDED: If the over fetch is disabled, it could significantly impact the performance of the DMA channel. Xilinx recommends only disabling the over fetch when absolutely necessary.

Transaction Control

The transaction control mechanism is used to control the rate and number of read/write data transactions from a channel. The control parameters are applicable only to data transactions and not for descriptor read transactions.



TIP: If the multiple rate control mechanism is enabled on a channel, a transaction is issued to arbitration when all enabled rate control mechanisms provide permission to issue that transaction.

Data transactions on AXI read channels can be controlled per each channel using the following control mechanisms.

Outstanding Transactions

Each DMA channel provides a control register PS_ZDMA.CH_CTRL1[SRC_ISSUE] where the software can program a maximum number of read outstanding transactions. The DMA channel uses this parameter to limit the number of outstanding read data transactions.

Rate Control

Each DMA channel can be independently programmed to issue transactions on a periodic basis. Higher priority channels can have a shorter interval between transactions. The lower priority channels can have a longer interval between transactions. The issue rate is independently controlled for each channel using an interval count that is programmed into the [CH_RATE_CTRL \[CNT\]](#) bit field. Rate control is enabled by setting [CH_CTRL0 \[RATE_CTRL\]](#) bit field = 1. There are 16 pairs of registers for rate control (8 channels).

Enabling rate control causes the DMA channel to copy the interval count, [CH_RATE_CTRL \[CNT\]](#) bit field, into the channel's decrementing counter. This counter is decremented with every clock cycle. When the counter reaches 0, the DMA channel issues a transaction to the arbiter and again copies the interval count into the decrementing counter. The channel waits for the counter to reach 0 again, and then issues another transaction and reloads the counter. The cycle continues until disabled by setting [\[RATE_CTRL\] = 0](#).



TIP: When rate control is enabled, the read data transaction frequency is always equal to or less than the programmed rate control frequency (1/rate control count).

PL Flow-Control Interface

When the DMA controller accesses a memory in the PL, the flow control interface (FCI) signals are used to provide the data transfer handshake. There are eight sets of FCI signals; a set for each channel. The PS_DMA.CH_FCI register configures the FCI flow control interface.

The PL provides credits to the DMA channel. Each credit is a permission for a single AXI transaction. When the FCI is attached to the SRC (read), there is a permission to generate one AXI data read transaction (write transaction when the FCI is attached to write DST). The following table lists the FCI signals.


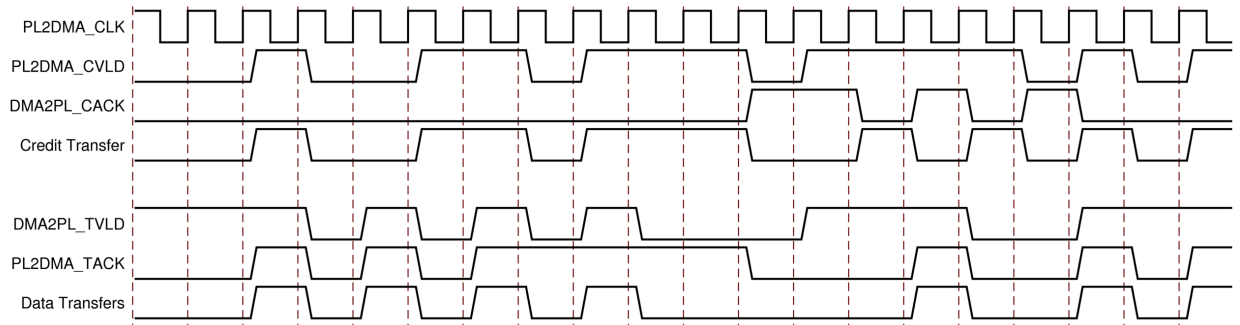
 **IMPORTANT!** *The maximum number of credits accepted are 32.*

Table 80: Flow Control Interface Signals

Signal	Description
PL2DMA_CLK	PL clock: signals from/to PL are synchronous to PL2DMA_CLK. The DMA handles all clock domain crossing.
PL2DMA_CVLD	Credit valid signal to DMA.
DMA2PL_CACK	Credit acknowledgment from DMA: <ul style="list-style-type: none"> Credits are accumulated when: <ul style="list-style-type: none"> PL2DMA_CVLD is High, and DMA2PL_CACK is Low Each FCI can accumulate up to 32 credits. If the FCI is not enabled, then the credits are cleared.
DMA2PL_TVLD	Transaction valid.
PL2DMA_TACK	Transaction acknowledgment: the DMA channel indicates that one write transaction is done (AXI write command was generated and a BRESP is received) when DMA2PL_TVLD and PL2DMA_TACK are True.

The timing diagram for the flow control interface is shown in the following figure.

Figure 49: Flow Control Interface



X24070-060120

Note: The polarity of the CACK signal is reversed from the Zynq UltraScale+ MPSoC device.

Software can configure FCI to flow control either the SRC or DST based on whether the DMA channel is reading from or writing to the PL memory.

- PL memory reads: program and configured SRC flow control
- PL memory writes: program and configure DST flow control

Flow-Control Interface Considerations

- Reset state
 - Channel is disabled
 - Program and configure the FCI flow control for SRC, DST, or both
 - ARLEN is used for all AXI transactions; both the SRC and DST sides
- Software configures the FCI to the correct side (SRC/DST)
- In case of an error, the DMA channel waits until the transaction valid FIFO is empty before going to DONE with an error state
- The DMA channel stops issuing write commands if the PL does not provide a PL2DMA_TACK in response to a DMA2_PL.TVLD for an extended time and the transaction FIFO goes full

When the FCI is attached to the DST side, the SRC transactions are limited by the threshold allowed in the common buffer. This threshold can be programmed by the [CH_FCI](#) [PROG_CELL_CNT] bit field in that channel. The DMA channel stops issuing data read commands after the number of occupied cells exceeds the programmed cell count threshold. If the write side of the channel is using FCI and the read side is not controlled, then the channel uses most of the common buffer. This limits the other channels. By using the threshold on common buffer usage, the channel's usage of the common buffer can be controlled.

After the channel is enabled with the FCI, the DMA channel accumulates incoming credits. Each channel can accumulate up to 32 credits. Each transaction consumes one credit. The channel does not issue a new transaction if a credit is not available. The credit is consumed upon generation of read/write commands based on the FCI configuration. If the FCI is not enabled, it does not affect the generation of AXI commands on the SRC/DST.

The FCI accepts credit from the PL memory as long as the credit FIFO is not full. Credits are cleared until the channel is enabled. After a channel is enabled, a DMA channel uses credits to flow control the SRC/DST AXI commands. In the event of an error, the DMA channel performs an error-recovery sequence. After error recovery is done, the channel clears both the FCI_EN and channel EN flags. After it clears the FCI_EN, the DMA channel clears all available and incoming credits until the next peripheral enable. The software provides channel state information to the PL memory (enable, pause, and error).

The DMA channel provides a transaction valid notification to the PL memory on every AXI write transaction completion. A transaction valid is always generated on receiving a valid BRESP. Irrespective of any read/write association, a transaction valid always indicates completion of a write transaction. The software can calculate and provide the total number of valid transactions expected to complete the current DMA transaction to the PL memory. The PL memory can use a transaction valid to find where a DMA channel is in a current DMA transaction.

Flow-Control Programming Model

After each DMA transaction is done, the DMA channel clears both the channel enable PS_DMA.CH_CTRL2 [EN] and FCI enable PS_DMA.FCI_EN [EN] register bits. The software must re-enable the FCI interface for each DMA transaction. If the FCI interface is not enabled, PS_DMA.FCI_EN [EN] = 0, the DMA channel flushes all incoming credits.

Credits are only valid when the FCI interface is enabled; PS_DMA.FCI_EN [EN] = 1.

- Setup channel mode: simple and scatter-gather (SG) mode.
- PS_DMA.CH_DSCR_ATTR and PS_DMA.CH_DATA_ATTR registers.
- Setup DMA mode:
 - Simple mode, program the DSCR registers.
 - SG mode, program the descriptor tables in memory and program the DSCR start address register.
- Set the FCI control parameters, PS_DMA.CH_FCI [EN, SIDE].
- Set the enable bit, CH2_CTRL [EN]. This triggers the DMA channel to operate.

The DMA channel provides transaction acknowledgment for all valid credits received after the PS_DMA.CH_FCI [EN] enable bit is set. The DMA channel clears the enable after the controller is done with the DMA transaction. The software must enable FCI along with the channel enable for subsequent DMA transfers.

Suggested Use Model

The suggested use-model for applications is:

- SRC and DST payload addresses are aligned to programmed AXI burst length and an over fetch is enabled.
- Software provides the transfer size details to the flow control slave.

Implementation Notes

- If the suggested use-model requirements are satisfied, attaching FCI to SRC/DST is not required.
- When FCI is enabled, both the AXI read and write command use the same burst length SRC AXI length (ARLEN).
- When the SRC and DST descriptor payloads are not aligned to the bus width, the number of read and write transactions could be different.
- The size of the first and last transaction can be different based on the alignment of the read and write payload.
- One credit means one AXI read or write transaction. The size of the transaction can vary based on the 4k boundary crossing and over fetch disable. The DMA channel never generates a transaction larger than the programmed ARLEN.
- Read/write transactions can be controlled using more than one mechanism. A channel might not generate a transaction, even if it has credits, due to other channel control parameters.
 - Rate control counter.
 - Outstanding transaction count.

Attached to the SRC

Software can enable the FCI before enabling a channel. The DMA channel uses ARLEN on both the SRC and DST sides.

$$\begin{aligned} \text{Number of SRC transaction} &= \text{Number of DST transaction} \\ \text{SRC AXI transaction size/length} &= \text{DST AXI transaction size/length} \end{aligned}$$

If a DMA channel is reading data from the flow controlling slave, each credit given to the DMA channel reads ARLEN x bus width (in bytes) worth of data. ARLEN x bus width (in bytes) worth of data is written to the FCI slave if the DMA channel is writing data to a slave.

The DMA channel can accept up to 32 credits. The slave can use this to pipeline credits to the DMA channel. Because of the aligned address requirement, each credit is the transfer size of ARLEN x bus width (bytes). A slave uses this to keep track of the number of bytes transferred. This information is used by slave to issue credits.

Channel Reading from a Flow Controlling the PL Slave

A DMA channel reading from a flow controlling the PL slave scenario is similar to the suggested use model except the one-to-one correlation between SRC and DST AXI commands does not exist. The number of commands generated on the SRC side can be different than the DST. In this case, the number of transaction valid responses can be less/more than the number of credits used. Unless the software calculates the number of valid transactions required for DMA transfer, the PL memory cannot use the valid transactions.

The DMA channel only generates read data transactions if credit is available. After it has enough data to generate a write transaction, it issues a write command. The slave can snoop on the AXI read channel to keep track of the number of beats/bytes read by the DMA channel.

Channel Writing to a Flow Controlling the PL Slave

In a DMA channel writing to a flow controlling the PL slave scenario, the software configures the FCI to flow control the DST. Each valid credit allows the DMA channel to perform one AXI write command. If the read/SRC is not flow controlled when the FCI is configured to the flow control DST, the channel can issue multiple read transactions and use the entire common buffer, which starves other channels. To resolve this issue, software configures the maximum number of entries used by the DMA channel. After the DMA channel exceeds the programmed value, it does not issue more read transactions. The PROG_CELL_CNT of the PS_ZDMA.CH_FCI register can be programmed in the register.

Maximum number of occupied cells = (ARLEN + 1) << PROG_CELL_CNT

If the software programs PROG_CELL_CNT to zero, the maximum number of entries occupied by the DMA channel is the same as one AXI4burst.

Because the SRC and DST addresses are unaligned and over fetch can be disabled, the DMA channel might have to generate multiple read transactions to perform a single write transaction. Because of this, it is advised to program PROG_CELL_CNT to a 1. As explained previously, the number of SRC and DST transfers can be different and unless the software calculates the number of valid transactions required for DMA transfer, the PL slave cannot use the valid transactions.

The DMA channel generates write data transactions only if credits are available. The write command is only generated when enough credit and enough data is available to generate one write transaction.

Interrupts

Each DMA channel is independent with its own register set and core interrupts. An interrupt in one channel does not affect the other channels. Each DMA channel can generate up to fifteen different interrupts, which are listed in the following table. An interrupt can indicate the completion of an operation or an error condition.

When a channel interrupt occurs, a bit is set High in its PS_DMA.ISR interrupt status register. If the corresponding interrupt mask bit is Low (enabled), a system interrupt is generated. There is a system interrupt for each of the eight DMA channels. These are numbered IRQ #92 to #99 and are listed in [IRQ System Interrupts](#).

The fifteen DMA channel interrupts can be grouped by interrupt source

- Programming interface: address decode error on APB interface (write by software)
- Descriptor list access (read by DMA unit)
- Data memory access (read and write)

The DMA channel interrupts are listed in the table.

Table 81: PS DMA Channel Interrupt Register Bits

Interrupt	Bit	Source	Description
INV_APB	0	APB programming interface	Address access error
SRC_DSCR_DONE	1	Descriptor management	Read descriptor completion
DST_DSCR_DONE	2	Descriptor management	Write descriptor completion
BYTE_CNT_OVRFL	3	DMA controller	Byte count overflow
IRQ_SRC_ACCT_ERR	4	DMA controller	Descriptor accounting done overflow on source reads
IRQ_DST_ACCT_ERR	5	DMA controller	Descriptor accounting done overflow on destination writes
AXI_RD_SRC_DSCR	6	AXI transaction	Read descriptor fetch error
AXI_RD_DST_DSCR	7	AXI transaction	Write descriptor fetch error
AXI_RD_DATA	8	AXI transaction	Read data error
AXI_WR_DATA	9	AXI transaction	Write data error
DMA_DONE	10	DMA controller	DMA done (with or without error)
DMA_PAUSE	11	DMA controller	DMA pause state
WRBUFF_PERR	12	DMA controller	RAM parity error; channel data in the common buffer
FREE_LIST_PERR	13	DMA controller	RAM parity error for list of the buffer blocks available in the common buffer
LINK_LIST_PERR	14	DMA controller	RAM parity error for managing the link list in the DMA controller

Descriptions

Descriptor Access Done Interrupt

Each time a descriptor entry is done, the PS_DMA [CH_ISR](#) [SRC_DSCR_DONE, 1] or [DST_DSCR_DONE, 2] interrupt bit is asserted for read and write operations, respectively.

Accounting Done Overflow Interrupts

The accounting overflow occurs when the number of descriptors processed exceeds the programmed count.

When descriptor count is enabled, each descriptor done event increments a descriptor done counter. There are separate accounting counter registers for SRC and DST transactions; PS_DMA [CH_ISR](#) [IRQ_SRC_ACCT] and [IRQ_DST_ACCT] bits.

An interrupt accounting counter overflow is indicated as a SRC or DST interrupt; PS_DMA [CH_ISR](#) [IRQ_SRC_ACCT_ERR, 4] and [IRQ_DST_ACCT_ERR, 5]. This is a non-fatal error as it does not affect the channel functionality.

Byte Transfer Overflow Interrupt

A transfer overflow occurs when the number of bytes transferred is more than the bytes requested.

The number of bytes to transfer is programmed in the PS_DMA [CH_SRC_DSCR_WD2](#) and [CH_DST_DSCR_WD2](#) [SIZE] register fields. This value is compared with an internal counter. The internal counter increments by 1 for each byte that is transferred on the interconnect. The counter is updated when the channel receives the BREP signal to show the AXI transaction is done.

Note: The internal counter continues to increment during an error.

A transfer overflow generates the PS_DMA [CH_ISR](#) [BYTE_CNT_OVRFL, 3] interrupt bit. This is a non-fatal error and does not affect the functionality of the DMA channel.

AXI Descriptor Read Errors

If an error occurs during an AXI descriptor table read transaction, a descriptor read error interrupt is generated. There are two interrupt bits; one when fetching source descriptors PS_DMA [CH_ISR](#) [AXI_RD_SRC_DSCR, 6] and one when fetching destination descriptors [AXI_RD_DST_DSCR, 7].

AXI Data Access Errors

If an error occurs during an AXI data read/write transaction, the DMA channel performs an error recovery sequence and recovers all occupied entries in the common buffer. After completing the error recovery sequence, it generates the PS_DMA [CH_ISR](#) [AXI_RD_DATA, 8] or [AXI_WR_DATA, 9] error interrupt and disables the channel.

DMA Done Interrupt

When the DMA data transfer is completed (with or without error), the controller asserts the PS_DMA [CH_ISR](#) [DMA_DONE] interrupt.

DMA Pause Interrupt

The DMA data transfer can be paused using the [CH_SRC_DSCR_WD3](#) [CMD] bit. When this occurs, it can be seen in the [CH_STATUS](#) [STATE] and, optionally, generate an interrupt that is posted to the PS_DMA [CH_ISR](#) [DMA_PAUSE] bit.

RAM Parity Errors

The controller includes three RAM memories that are protected by parity error logic. The parity error causes bits to be set in the PS_DMA [CH_ISR](#) register:

- Common data buffer stores data [WRBUG_PERR, 12]
- Internal RAM indexes the slots available in the common buffer [FREE_LIST_PERR, 13]
- Internal RAM used to manage link lists [LINK_LIST_PERR, 14]

Software Programming Errors

Software must ensure the DMA is programmed properly. The controller hardware cannot recover from a programming error. The DMA channel behavior is unpredictable.

Transaction Security

The DMA allows software to mark each channel secure/non-secure by programming the LPD_SLCR_SECURE [DMA_Ch0_TZ](#) (0 to 7) register. The secure bit field [tz] includes eight bits to set the TrustZone security setting for the 8 DMA channels. If a channel is marked secure, only a secure master can access its DMA control and status registers. The DMA tags all the AXI transactions secure if a channel is marked secure.

Secure DMA channel characteristics include the following:

- Only secure masters can access their control and status registers.

- All AXI transactions from this channel are marked secure. They can access both secure and non-secure regions.

Non-secure DMA channel characteristics include the following:

- Both secure and non-secure masters can access their control and status registers.
- All AXI transactions from this channel are marked non-secure, and can access only non-secure regions.

Channel Pause

The software can pause any channel by setting the scatter-gather descriptor command bits to pause. This feature is used to pause the DMA operation and program the next set of descriptors.

Current DSCR indicates CMD = Pause

If the current descriptor command bits indicates a pause, the DMA channel completes the current descriptor payload to the DST locations. After it is done with data transfer, the DMA channel goes into pause mode. The channel keeps the current operational state.

Coming Out of Pause

There are two ways to bring a channel out of pause and into active mode:

- Keep the current state and read the next descriptor continuously from the last descriptor before going into pause.

CONT bit is set in the control register and [CONT_ADDR] = 0.

- Use the DSCR start address to fetch the first descriptor coming out of pause.

CONT bit is set in the control register and [CONT_ADDR] = 1.

Software can also put the DMA channel in disable mode from pause mode: Mode = Pause, enable = 0, and [CONT] = 1.

Programming Model for Changing DMA Channel States

A DMA channel can be in one of the following states at any time. This section explains each state.

- Disabled

- Enabled
- Paused

Channel Enabled

The software can enable one or more channels at any time using the following enable sequence.

1. Setup channel mode (simple or scatter-gather mode).
2. Set the PS_ZDMA.CH_DATA_ATTR and PS_ZDMA.CH_DSCR_ATTR attribute registers.
3. Setup DMA mode.
 - a. Simple mode, program the DSCR registers.
 - b. In scatter-gather mode, program the DSCR in memory and program the DSCR start address register.
4. Set enable bit in the PS_ZDMA.CH_CTRL2 register. This provides a trigger to the DMA channel.

Channel Disabled

The channel can go into a disabled state for these reasons:

- Current SRC descriptor indicates CMD = STOP.
 - DMA processes the current descriptor and goes into a disable state.
 - DMA channel ensures that all the data is transferred to the DST memory location before going into a disable state and updating the status register.
 - This mechanism can be used to indicate the end of an operation.
- DMA channel is in simple DMA mode and transfer is done.
 - After a channel is done transferring the data indicated into the SRC/DST DSCR register, the channel goes into a disable state.
 - For subsequent transfers, the software must enable the channel.
- Software can put any paused channel into a disable state.
 - The current channel state is pause and it has received a CONT from the APB register.

Mode = Pause & enable = 0 and CONT = 1

The DMA channel goes into disable mode
- Any error detected on an AXI channel/descriptor programming puts the DMA channel into a disable state.

Register Reference

DMA Channel Registers

The LPD DMA registers are listed in the following table. The register base address for each channel is:

- Channel 0, 0xFFA8_0000
- Channel 1, 0xFFA9_0000
- Channel 2, 0xFFAA_0000
- Channel 3, 0xFFAB_0000
- Channel 4, 0xFFAC_0000
- Channel 5, 0xFFAD_0000
- Channel 6, 0xFFAE_0000
- Channel 7, 0xFFAF_0000

Table 82: LPD DMA Channel Register Set

Register Name	Address Offset	Access Type	Description
ERR_CTRL	0x000	RW	APB address decode error
CH_ISR CH_IMR CH_IER CH_IDR	0x100 0x104 0x108 0x10C	WTC, R W W	Interrupt status, mask, enable, and disable
CH_CTRL0 CH_CTRL1 CH_CTRL2	0x110 0x114 0x200	RW	Controls
CH_FCI	0x118	RW	Flow control interface
CH_STATUS	0x11C	R	State of channel
CH_DATA_ATTR CH_DSCR_ATTR	0x120 0x124	RW RW	Data and descriptor AXI parameters
CH_SRC_DSCR_WD0 CH_SRC_DSCR_WD1 CH_SRC_DSCR_WD2 CH_SRC_DSCR_WD3	0x128 0x12C 0x130 0x134	RW	Source descriptor words
CH_DST_DSCR_WD0 CH_DST_DSCR_WD1 CH_DST_DSCR_WD2 CH_DST_DSCR_WD3	0x138 0x13C 0x140 0x144	RW	Destination descriptor words

Table 82: LPD DMA Channel Register Set (cont'd)

Register Name	Address Offset	Access Type	Description
CH_WR_ONLY_WD0 CH_WR_ONLY_WD1 CH_WR_ONLY_WD2 CH_WR_ONLY_WD3	0x148 0x14C 0x150 0x154	RW	Write only data words
CH_SRC_START_L CH_SRC_START_H	0x158 0x15C	RW	Source descriptor start address
CH_DST_START_L CH_DST_START_H	0x160 0x164	RW	Destination descriptor start address
CH_RATE_CTRL	0x18C	RW	Rate control count
CH_IRQ_SRC_ACCT	0x190 0x194	RW RW	Source and destination interrupt account count

I/O Flow Control Signals

The controller has a set of flow control signals attached to the PL. These are optionally used to manage the flow of data between the controller and a slave memory in the PL.

Each channel has flow control signals routed to the PL.

- PL2DMA
- DMA2PL

Embedded Processor, Configuration, and Security Units

This section includes chapters that describe the functionality of a core set of PMC blocks. These are listed below. This section does not include the flash controller chapters, JTAG, or system-level topics. Those chapters are located in other sections of the TRM.

All of the chapters related to platform management are organized into groups in the [Overview](#) chapter. The remaining chapters are assigned to platform management-specific functional units and modules:

- [Overview](#)
- [Platform Processing Unit \(PPU\)](#)
- [Processing System Manager \(PSM\)](#)
- [PL Configuration](#)
 - [Configuration Frame Unit \(CFU\)](#)
 - [Configuration Frame Interface \(CFI\)](#)
- [SBI for JTAG and SelectMAP \(SBI\)](#)
- [PMC Security Units](#)
 - [AES-GCM](#)
 - [SHA3-384](#)
 - [RSA/ECDSA](#)
 - [True Random Number Generator \(TRNG\)](#)
 - [Physically Unclonable Function](#)
- [Secure Stream Switch](#)
 - [PMC DMAs](#)

Note: The [Battery-Backed RAM \(BBRAM\)](#) chapter is located in the [Section XI: Memory](#) section

Overview

The platform management hardware includes processors, configuration units, and security units to support hardware and software boot operations. The PMC hardware architecture is illustrated in the [PMC Interconnect Diagram](#).

The PMC includes the ROM code unit (RCU) processor running the BootROM code for the hardware boot process. The PMC also includes the platform processing unit (PPU) running the platform loader and manager (PLM) firmware that is loaded by the PMC BootROM code. The platform management operations are described in the [PMC Architecture](#) chapter.

The many chapters for the blocks that are used for platform management are divided into the following groups. Many of these links go to other sections of the TRM.

Boot Interface Hardware

The boot modes are summarized in [Boot Modes](#). The controllers for these boot modes are described in these TRM sections:

- [Section XIII: Flash Memory Controllers](#)
- [JTAG Boot Mode](#)
- [SBI for JTAG and SelectMAP](#)

Platform Management Processors

There are three platform management processor units.

- ROM code unit (RCU runs BootROM code)
- [Platform Processing Unit](#) (PPU runs PLM firmware initially downloaded by BootROM)
- [Processing System Manager](#) (PSM runs firmware downloaded by PLM)

Inter-processor Interrupts

The inter-processor interrupts (IPI) enable the PPU, PSM, and other processors in the PS to signal and send short private messages between each IPI agent.

- [Inter-Processor Interrupts](#) for processor-to-processor communications

Global Register Request Interrupts

The requests for platform management (from system software) are directed to the PLM firmware in the PMC or to the PSM firmware in the LPD.

- [PMC Global Registers](#)
- [PSM Global Registers](#)

System Error Signals

System errors are reported via the error status accumulator registers.

- [PMC Error Status Registers](#)
- [PSM Error Status Registers](#)

Streaming Module

The [Secure Stream Switch](#) routes data between the PMC DMA engines, the AES-GCM engine, and the SHA3-384 engine.

- [AES-GCM](#)
- [SHA3-384](#)
- [PMC DMAs](#), DMA0 and DMA1

Additional PMC Units

Additional units include:

- [RSA/ECDSA](#)
- [True Random Number Generator \(TRNG\)](#)
- [Battery-Backed RAM \(BDRAM\)](#)

PMC Programming Interfaces

There are three programming/configuration interfaces.

- APB programming interface (memory mapped registers for PMC and PS)
- NPI programming interface (memory mapped registers for NoC, DDRMC, AI Engine and others)
- CFU slave interface consumes PL configuration files (configuration frames)

These are described in [Register Programming Interfaces](#) chapter.

Platform Processing Unit

The platform processing unit (PPU) normally runs the platform loader and manager (PLM) firmware. The PLM configures the system, downloads boot image files, monitors the system, and provides platform services. The resources available to the PPU firmware include security, power control, error detection, and functional safety features.

The PPU implements the MicroBlaze™ architecture. It is a host on the PMC main switch and issues TrustZone-secure transactions.

Features

The PPU includes the following features:

- 32-bit MicroBlaze processor with triple modular redundancy (TMR)
- PPU RAM includes 384 KB of storage
- PPU RAM:
 - Local PPU memory for instructions and data
 - ECC protected

The PPU can also access the PMC system RAM (128 KB) attached to the PMC main switch.

Programming Model

The PMC processing unit (PPU) is based on a MicroBlaze triple module redundant processor. The platform loader and management (PLM) firmware is downloaded into the PPU RAM memory during the BootROM process. The PLM controls the system during normal and abnormal operations. The PLM programming uses the PPU processor programming model. The programming model includes:

- MicroBlaze processor
- Global control and status registers

- PPU and PMC RAM memories
- Memory-mapped access to NoC, PL, and LPD resources
- Memory-mapped programming interfaces: APB and NPI
- System-level interrupts, errors, and other signals

Interrupts

Each PPU generates two system interrupts:

- Memory, FPU, access errors (IRQ 43, 44)
- Performance monitor (IRQ 40, 41)

The PPU receives the system interrupts via its GIC proxy registers.

APB Address Decode Error

The PPU generates a system interrupt when the APB programming interface detects an address decode error.

GIC Proxy Interrupt Controller

The GIC proxy clients PPU and PSM receive all system interrupts. The masking is controlled by the global registers.

Inter-processor Interrupts

The PPU processor is a hardwired IPI agent. This enables the PLM firmware to receive and establish communication channels between itself and other IPI processor agents. The IPI is described in [Inter-Processor Interrupts](#).

System Interrupts

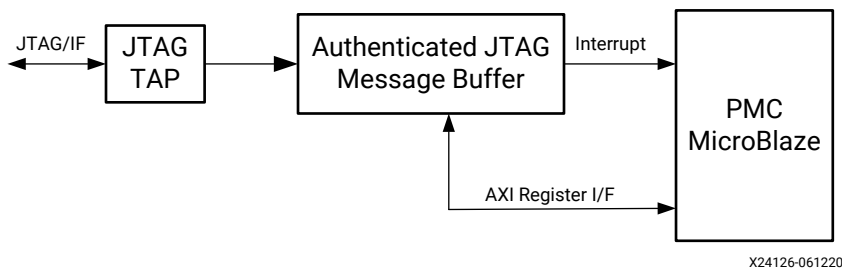
The PPU receives all of the system interrupts into its PMC Global register module.

Authenticated JTAG

The Versal device allows for debug enablement of a secure system via an external interface (i.e., JTAG). JTAG is not fully enabled by default when using [Asymmetric Hardware Root of Trust Secure Boot](#) or [Symmetric Hardware Root of Trust Secure Boot](#). The JTAG port listens for a cryptographically signed AUTH_JTAG message (RSA or ECDSA signed). If such a message is received and the signature is authenticated, the JTAG port is enabled by the PMC. Improperly authenticated messages can be ignored or can place the device into a secure lockdown. The authenticated JTAG feature is disabled by default, automatically enabled when a PPK hash is programmed, and can be permanently disabled using eFUSEs. A high-level overview of this method is shown in the following figure.

For further details, see the *Versal ACAP Security Manual* (UG1508). This manual requires an active NDA to download from the [Design Security Lounge](#).

Figure 50: Secure Enablement of JTAG Interface



Tamper Event Monitoring and Response System

The Versal device has a robust tamper monitoring and response system. This system allows for the detection of, with programmable responses to, voltage glitches, voltage and temperature deviations, and activity on external debug interfaces (e.g., JTAG). Supporting extensibility to a larger tamper system, the Versal device allows for the enablement of an external tamper trigger with a programmable response. For additional details, see the *Versal ACAP Security Manual* (UG1508). This manual requires an active NDA to download from the [Design Security Lounge](#).

PMC Register Reference

The PMC register modules include:

- [PMC Global Registers](#)
- [PMC Local Registers](#)

Each module includes a 32-bit APB programming interface. The APB programming interface is described in [Register Programming Interfaces](#).

PMC Global Registers

The global registers serve several purposes:

- Register set control and status
- Persistent and non-persistent 32-bit storage registers
- Miscellaneous status, state, and errors
- Platform service requests including power, isolation, reset, and wake-up
- Safety check

The PMC global register set is accessed via a 32-bit APB programming interface that can be accessed by any permitted system processor.

The platform service request registers allow system software to make power-up, power-down, isolation, and software reset requests by setting bits in the trigger registers.

The entire PMC global register set is summarized in the following table.

Table 83: Versal ACAP PMC Global Register Set Overview

Register Name	Offset Address	Access Type	Description
Miscellaneous			
GLOBAL_CNTRL	0x0000	RW, R	APB error, PLM firmware is loaded flag, MB status, and MB clock control (GLOBAL_CNTRL)
PMC_MULTI_BOOT	0x0004	RW	MultiBoot offset address is PMC_MULTI_BOOT[20:0]. For SD/eMMC1 boot modes, the partition type is PMC_MULTI_BOOT[31:28].
PPU_TMR_CTRL	0x0008	RW	LMB ECC error propagation select
APB_MISC_ISR APB_MISC_IMR APB_MISC_IER APB_MISC_IDR	0x0010+	W1C	APB address decode error, secure stream configuration error, and PUF access error
32-bit Storage Registers			
GLOBAL_GEN_STORAGE0 GLOBAL_GEN_STORAGE1 GLOBAL_GEN_STORAGE2 GLOBAL_GEN_STORAGE3 GLOBAL_GEN_STORAGE4	0x0030+	RW	Storage registers 0, 1, 2, 3, and 4 are reserved for use by the PLM firmware. There are also PSM_GLOBAL storage registers, see PSM Global Registers .

Table 83: Versal ACAP PMC Global Register Set Overview (cont'd)

Register Name	Offset Address	Access Type	Description
PERS_GLOB_GEN_STORAGE0 PERS_GLOB_GEN_STORAGE1 PERS_GLOB_GEN_STORAGE2 PERS_GLOB_GEN_STORAGE3 PERS_GLOB_GEN_STORAGE4	0x0050+	RW	Persistent storage registers 0, 1, and 2 are reserved for use by PLM firmware. Persistent storage registers 3 and 4 are available for general use. The persistent storage registers are only reset by an external POR.
PMC Software Service Errors			
PMC_GSW_ERR	0x0064	RW	General software service errors from PLM
Power, Isolation, Reset, and Wake-up Requests			
DOMAIN_ISO_STATUS	0x0100	R	Isolation wall status
PWR_SUPPLY_STATUS	0x010C	R	Power supply status
REQ_PWRUP_ISR REQ_PWRUP_IMR REQ_PWRUP_IER REQ_PWRUP_IDR REQ_PWRUP_TRIG	0x0110+	R, W1C R W W W	System software power down requests: - LPD - SoC power domain (SPD) - PL The SPD includes NoC and DDR memory controller power
REQ_PWRDWN_ISR REQ_PWRDWN_IMR REQ_PWRDWN_IER REQ_PWRDWN_IDR REQ_PWRDWN_TRIG	0x0210+	R, W1C R W W W	Power-up requests
REQ_ISO_ISR REQ_ISO_IMR REQ_ISO_IER REQ_ISO_IDR REQ_ISO_TRIG	0x0310+	R, W1C R W W W	Isolation requests
REQ_SWRST_ISR REQ_SWRST_IMR REQ_SWRST_IER REQ_SWRST_IDR REQ_SWRST_TRIG	0x0410+	R, W1C R W W W	System software reset requests: - PS - LPD - SPD - PL
REQ_WAKEUP_ISR REQ_WAKEUP_IMR REQ_WAKEUP_IER REQ_WAKEUP_IDR REQ_WAKEUP_TRIG	0x0430+	R, W1C R W W W	CoreSight™ wake-up GPR for LPD and CPM
Miscellaneous			
DDR_RETENTION_CTRL	0x0324	RW	Hold the XPIO output latched values to support DRAM self-refresh mode so the DDRMC power (SPD) can be shut down
DBG_PWR_ACK	0x0444	RW	CoreSight power-up acknowledge for LPD and CPM
SSS_CFG	0x0500	RW	Secure stream switch interface configuration

Table 83: Versal ACAP PMC Global Register Set Overview (cont'd)

Register Name	Offset Address	Access Type	Description	
PPU_MB_FATAL PPU_MB1_FT_STATUS PPU_MB2_FT_STATUS PPU_MB3_FT_STATUS	0x0610 0x0614 0x0618 0x061C	R	PPU TMR redundancy logic status	
PPU_RST	0x0620	RW	PPU reset control	
PPU_RST_MODE	0x0624	RW	PPU reset mode configuration	
PPU_AXI_QOS	0x0634	RW	PPU AXI QoS value	
SAFETY_CHK	0x0800	RW	Safety check register	
PL_STATUS	0x0880	R	PL reset status	
DONE	0x0884	RW	DONE output pin control	
PL-PS Signals				
PMC_PL_GPO	0x0900	R	See PL-PMC GPI and GPO Port Signals	
PL_PMC_GPI_ISR PL_PMC_GPI_IMR at 0x0914 PL_PMC_GPI_IER at 0x0918 PL_PMC_GPI_IDR at 0x091C PL_PMC_GPI_ITR at 0x0920	0x0910+	R, W1C R W W W		
SEM				
SEM_STATUS SEM_ERROR	0x1018 0x1020	RW		SEM CRAM and NPI scan status
SEM_CFR_ERRCODE	0x1020	RW	CRAM scan errorc code (or SEM_CMD_REG0)	
SEM_CRAMERR_ADDRLO SEM_CRAMERR_ADDRHO (4 addresses: 0 to 3)	0x1040+	RW	Four error addresses, eight registers	
Software Mutex Registers				
32 Mutex registers: PMC_MUTEX_n	0x1100+	RW	Software mutex registers	
Register Write Locks				
PPU_RST_LOCK	0x1200	RW	Control locking of PPU_RST resettable registers	
POR_LOCK	0x1204	RW	Control locking of POR resettable registers	

PMC Local Registers

The PMC PLM firmware and the PSM firmware control system resets, power, isolation, wake-up, and others. These software environments work together to manage the platform.

The PLM and PSM accept platform requests from system software via the [PMC Global Registers](#). These requests are normally turned into sequences for the PLM firmware and PSM firmware that access the platform local control and status registers.

The PMC local control and status registers are listed in the following table.

Table 84: Versal ACAP PMC Local Control and Status Registers

Register Name	Offset Address	Access Type	Description
Miscellaneous			
BH_IMG_ATTR	0x0024	RW	Boot header image attributes
SYS_INTERRUPT	0x0028	W	System interrupt trigger for tamper, PUF
BBRAM_KEY_LOCK EFUSE_KEY_LOCK	0x0034 0x0038	RW	Unlock path from key space
32-bit Storage Registers			
PMC_LCL_STORAGE0 PMC_LCL_STORAGE1 PMC_LCL_STORAGE2 PMC_LCL_STORAGE3 PMC_LCL_STORAGE4	0x0050+	RW	General 32-bit storage registers
PERS_PMC_LCL_STORAGE0 PERS_PMC_LCL_STORAGE1 PERS_PMC_LCL_STORAGE2 PERS_PMC_LCL_STORAGE3 PERS_PMC_LCL_STORAGE4	0x0064+	RW	General 32-bit storage registers Reset only by a POR
Miscellaneous			
PMC_BOOT_ERR	0x2000	RW	RCU BootROM error indicator

Processing System Manager

The processing system manager (PSM) is a processor in the LPD that controls the power islands in the PS. The PLM downloads firmware into the PSM RAM for the processor to execute.

The PSM includes global registers that are written by system software to request platform services. This functionality is explained in [PSM Global Registers](#).

The PSM is a triple module redundant (TMR) MicroBlaze™ processor.

Features

The PSM includes the following features:

- 32-bit MicroBlaze processor with triple modular redundancy
- Local RAM for instruction and data
- GIC proxy system interrupt controller
- Register controls for PS power islands

System Perspective

The PSM provides platform management services and is located in the LPD.

The PSM initiates 32-bit transactions to the LPD main switch.

The PLM, RPU, and other software can access the PSM MicroBlaze™ via a 32-bit ePort on the LPD interconnect switch.

Interrupts

The PSM generates a core interrupt and a dedicated inter-processor interrupt (IPI).

- PSM core interrupt: IRQ #82
- PSM dedicated inter-processor interrupt (IPI): IRQ #61

The PSM also receives all the system interrupts via its GIC proxy registers.

Core Interrupts

The PPU generates a system interrupt when the APB programming interface detects an address decode error.

System Interrupts

The PSM can be a GIC proxy client for the system interrupts. The interrupt masking is controlled by the PSM global registers.

Reset

The PSM can be reset in several ways, including:

- POR reset (external and internal)
- System reset
- PMC reset
- PS reset
- LPD reset

Processor State After Reset

After a reset, the PSM can come up executing or in a sleep state. The control registers are shown in the following table.

Table 85: Versal ACAP PSM Reset Mode and Wake-up Register Control

Register Name	Bit Field	Address	Access Type	Description
PSM_RST_MODE	[rst_mode]	0xFF5E_0370	RW	PSM processor after reset: 00: Execution mode 01: Sleep mode
	[wakeup]			PSM processor wake-up: 0: sleep 1: execute

PSM Register Reference

- [PSM Global Registers](#)
- [PSM Service Requests](#)
- [PSM Local Registers](#)

PSM Global Registers

The entire PSM global register set is summarized in the following table.

Table 86: PSM Global Register Set Overview

Register Name	Offset Address	Access Type	Description
Miscellaneous			
GLOBAL_CTRL	0x0000	RW, R	APB slave error enable, FW loaded, PSM master R/W QoS, PSM sleep, wake status, and clock control
APU_PWR_STATUS_INIT	0x0008	RW	APU 0 and 1 power state value
APB_ISR APB_IMR APB_IER APB_IDR	0x0010+	R, W1C R W W	APB programming interface address decode error
PS_SW_ERR	0x0020	RW	Software errors detected by PSM
PSM_BOOT_SERV_ERR	0x0024	RW	Boot and service errors detected by PSM
32-bit Storage Registers			
GLOBAL_GEN_STORAGE0 GLOBAL_GEN_STORAGE1 GLOBAL_GEN_STORAGE2 GLOBAL_GEN_STORAGE3 GLOBAL_GEN_STORAGE4 GLOBAL_GEN_STORAGE5 GLOBAL_GEN_STORAGE6 GLOBAL_GEN_STORAGE7	0x0030+	RW	General 32-bit storage registers.
PERS_GLOB_GEN_STORAGE0 PERS_GLOB_GEN_STORAGE1 PERS_GLOB_GEN_STORAGE2 PERS_GLOB_GEN_STORAGE3 PERS_GLOB_GEN_STORAGE4 PERS_GLOB_GEN_STORAGE5 PERS_GLOB_GEN_STORAGE6 PERS_GLOB_GEN_STORAGE7	0x0050+	RW	General 32-bit storage registers. The persistent storage registers are only reset by an external POR.
Power State Status			
PWR_STATE AUX_PWR_STATE	0x0100 0x0104	R	Power and retention states for power islands and memories

Table 86: PSM Global Register Set Overview (cont'd)

Register Name	Offset Address	Access Type	Description
Power, Isolation, Reset, and Wake-up Requests			
REQ_PWRUP_ISR REQ_PWRUP_IMR REQ_PWRUP_IER REQ_PWRUP_IDR	0x0110+	R, W1C R W W	System software power down requests: - APU 0, APU 1, APU L2 cache - RPU cores, TCM banks - OCM banks, GEM 0, GEM 1, FPD
REQ_PWRDWN_ISR REQ_PWRDWN_IMR REQ_PWRDWN_IER REQ_PWRDWN_IDR	0x0210+	R, W1C R W W	System software power up requests
REQ_ISO_ISR REQ_ISO_IMR REQ_ISO_IER REQ_ISO_IDR	0x0310+	R, W1C R W W	FPD isolation request
REQ_SWRST_ISR REQ_SWRST_IMR REQ_SWRST_IER REQ_SWRST_IDR	0x0410+	R, W1C R W W	Subsystems and Power Islands: - APU 0, APU 1, APU MP, RPU - GEM 0, Gem 1, USB 2.0 - I/O peripherals, PS, LPD, FPD
REQ_WAKEUP_ISR REQ_WAKEUP_IMR REQ_WAKEUP_IER REQ_WAKEUP_IDR	0x0700+	R, W1C R W W	Wake-up requests: - APU 0, APU 1 from APU GIC - RPU 0, RPU 1 from RPU GIC - USB 2.0 CoreSight wake-up requests: - GPR for APU 0, APU 1 Debug power for: - APU 0, APU 1, RPU, FPD
REQ_CTRL_ISR REQ_CTRL_IMR REQ_CTRL_IER REQ_CTRL_IDR	0x0714+	R, W1C R W W	Power-down requests: - From APU 0, APU 1 - From RPU 0, RPU 1 Reset request from RPU 0 Warm reset request: - For APU 0, APU 1 from APU MP - For APU 0, APU 1 from APU debug FPD power alarm
Miscellaneous			
DBG_PWR_ACK	0x0808	RW	Debug power-up acknowledge: - APU 0, APU 1 - RPU - FPD
SAFETY_CHK	0x0A00	RW	Safety check register

PSM Service Requests

This section includes the global registers used by system software to request several platform services.

- Power up and down of domains and islands
- Isolation of interfaces and signals between power domains

- Reset of subsystems and power domains

The service requests are serviced by the PLM and PSM firmware. System software writes to the PMC and PSM global registers to request a service.

Power Islands

The power-up, power-down, and isolation service requests for the functional units are triggered by setting bits in the PSM global register set. The PSM firmware receives an interrupt request unless the interrupt is masked. The firmware manages the service request interrupts with status and mask registers.

The power and isolation requests for the major subsystems are listed in the following table.

Table 87: PSM Global Power and Isolation Service Requests

Power Island	Power-up and -down Request Register Bits	Power State Status Bits
	REQ_PWRUP_TRIG REQ_PWRDWN_TRIG	PWR_STATE
APU core 0 APU core 1	0 1	0 1
APU L2 cache	7	7
RPU core 0 RPU core 1	10 11	10 11
RPU 0 TCM A RPU 0 TCM B RPU 1 TCM A RPU 1 TCM B	12 13 14 15	12 13 14 15
OCM Bank 0 OCM Bank 1 OCM Bank 2 OCM Bank 3	16 17 18 19	16 17 18 19
GEM1 GEM0	20 21	20 21
FPD	22	22

Wake-Up Service Requests

The blocks that the PSM can wake up are listed in the following table.

Table 88: PSM Wake-up Service Requests

Block Name	Wake-up Request
	REQ_WAKEUP_TRIG Register Bits
APU core 0 APU core 1	0 1
RPU core 0 RPU core 1	4 5
USB 2.0	6
APU core 0 CoreSight APU core 1 CoreSight	16 17

PSM Local Registers

The PS power island control and status registers are listed in the following table.

Table 89: PS Power Island Control and Status Registers

Register Name	Offset Address	Access Type	Description
APU0_PWR_CTRL APU0_PWR_STATUS APU1_PWR_CTRL APU1_PWR_STATUS	0x0000+	RW R W R	APU cores power control and status
RPU_PWR_CTRL RPU_PWR_STATUS	0x0080 0x0084	RW R	RPU power control and status
L2_PWR_CTRL L2_CE_CTRL L2_PWR_STATUS	0x00B0 0x00B8 0x00BC	RW RW R	L2 cache power control/status and chip enables
OCM_PWR_CTRL OCM_CE_CTRL OCM_PWR_STATUS	0x00C0 0x00C8 0x00CC	RW RW R	OCM power control/status and chip enables
TCM_PWR_CTRL TCM_CE_CTRL TCM_PWR_STATUS	0x00D0 0x00D8 0x00DC	RW RW R	RPU power control/status and chip enables
GEM_PWR_CTRL GEM_CE_CTRL GEM_PWR_STATUS	0x00E0 0x00E4 0x00E8	RW RW R	GEM power control/status and chip enables
DOMAIN_ISO_CTRL	0x00F0	RW	Isolations: LPD-FPD and LPD-XRAM
LOC_PWR_STATE	0x0100	RW	Power status of LPD blocks

Table 89: PS Power Island Control and Status Registers (cont'd)

Register Name	Offset Address	Access Type	Description
APB_ERR_ISR APB_ERR_IMR APB_ERR_IER APB_ERR_IDR	0x0320	R, W1C R W W	APB address decode error interrupt
APU_WFI_STATUS	0x0418	R	APU wake for status on APU cores and L2 cache

PL Configuration

The PL is configured when the PLM sends the programmable device image (PDI) PL partition information to the configuration frame unit (CFU) during boot. The CFU interprets the data received via the PMC main AXI switch and generates commands to the configuration frame interface (CFI). The CFI bus transactions are sent to the CFRAMEs scattered throughout the programmable logic (PL). The CFU configures the PL functionality listed in the [PL Fabric Overview](#) chapter.

Configuration Frame Unit

The configuration frame unit (CFU) translates AXI traffic into the CFI bus protocol, performs data integrity checks, and manages the CFI traffic. The CFU also performs several functions including frame write rate matching, frame read rate matching, frame read/write transition, row switching, decompression, and putting the configuration frame interface (CFI) into idle.

The CFU is the only master for the CFI bus. The input CFU reference clock runs at the same rate as the output CFI clock frequency. The CFU AXI interfaces support 32-bit, 64-bit, or 128-bit transactions. The CFU AXI must 128-bit align the 32-bit and 64-bit transactions. The CFU cannot support multiple AXI masters at the same time. A single master can control both CFU AXI write and read to perform CFI readback.

The programmable device image (PDI) created with the Vitis™ tool contains PL partition data that the CFU manages. The CFU handles the transfer of configuration data through the CFI to the configuration frames in the PL. The CFU ensures that the configuration frames are ready to accept the CFI bus transactions sent to them. The CFU checks the packet data to determine if the packet rate sent needs to be slower and throttles the AXI interface as necessary. The CFU also performs data decompression on the PL_CFI partition included in the .RCDO. PDI compression is set by default in the Versal® device. For more information on changing the compression option, see *Vivado Design Suite User Guide: Programming and Debugging* ([UG908](#)).

The CFU includes a programming interface to the CFRAMExx_REG register modules. These are used to configure the functionality, poll status, and generate PL global signal sequences. The CFU provides several configuration frame data-in ports (CFRAMExx_FDRI) and a configuration frame data-out port (CFU_FDRO).

CFU Address Map

The PL configuration address space includes the following.

- Register modules
 - CFU_APB (aka CFU_CSR) at 0xF12B_0000
 - CFRAME_{Exx}_REG control and status registers (see following table)
- Data ports
 - CFU_STREAM at 0xF12C_0000, 4 KB
 - CFU_SFR at 0xF12C_1000, 4 KB
 - CFU_FDRO data-out port at 0xF12C_2000, 4 KB
 - CFRAME_{Exx}_FDRI data-in ports, 4 KB each (see following table)

Note: The number of configuration frames is based on the size of the PL and is dependent on the device.

Table 90: Configuration Frame Register and Data-In Port Address Map

Configuration Frame Number	Register Name	Register Address	Frame Port Name	Frame Port Input Address
0	CFRAME00_REG	0xF12D_0000	CFRAME00_FDRI	0xF12D_1000
1	CFRAME01_REG	0xF12D_2000	CFRAME01_FDRI	0xF12D_3000
2	CFRAME02_REG	0xF12D_4000	CFRAME02_FDRI	0xF12D_5000
3	CFRAME03_REG	0xF12D_6000	CFRAME03_FDRI	0xF12D_7000
4	CFRAME04_REG	0xF12D_8000	CFRAME04_FDRI	0xF12D_9000
5	CFRAME05_REG	0xF12D_A000	CFRAME05_FDRI	0xF12D_B000
6	CFRAME06_REG	0xF12D_C000	CFRAME06_FDRI	0xF12D_D000
7	CFRAME07_REG	0xF12D_E000	CFRAME07_FDRI	0xF12D_F000
8	CFRAME08_REG	0xF12E_0000	CFRAME08_FDRI	0xF12E_1000
9	CFRAME09_REG	0xF12E_2000	CFRAME09_FDRI	0xF12E_3000
10	CFRAME10_REG	0xF12E_4000	CFRAME10_FDRI	0xF12E_5000
11	CFRAME11_REG	0xF12E_6000	CFRAME11_FDRI	0xF12E_7000
12	CFRAME12_REG	0xF12E_8000	CFRAME12_FDRI	0xF12E_9000
13	CFRAME13_REG	0xF12E_A000	CFRAME13_FDRI	0xF12E_B000
14	CFRAME14_REG	0xF12E_C000	CFRAME14_FDRI	0xF12E_D000
Broadcast	CFRAME_BCAST_REG	0xF12E_E000	CFRAME_BCAST_FDRI	0xF12E_F000

Configuration Frame Interface

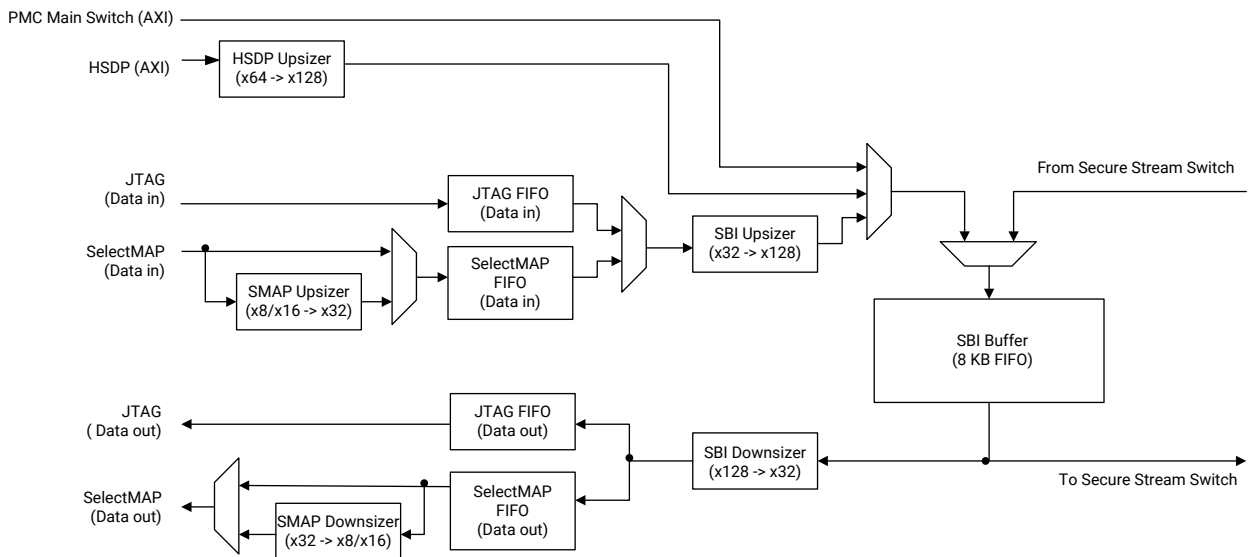
The configuration frame interface (CFI) is a dedicated 128-bit programming bus used to configure the PL. The CFU is the only master for the CFI bus. The CFI bus protocol is translated by the CFU from AXI. The CFI bus transactions are sent to all CFRAMEs. Each CFRAME has a logic controller that decodes the row address to determine whether or not it should receive the CFI packet.

The CFI is pipelined as it travels through the CFRAMEs. The CFU monitors the CFI bandwidth and pending operations to ensure that the CFRAME can accept the data being sent.

SBI for JTAG and SelectMAP

The SBI interface is a Xilinx proprietary interface that buffers incoming configuration data from the slave boot modes (JTAG and SelectMAP). The incoming data is then fetched by the RCU or PPU using one of the platform management controller DMAs for further processing and loading to the configuration interfaces. The SBI requires flow control to prevent overflow of the internal buffer using a BUSY pin. For SelectMAP, when BUSY is asserted, the external controller must stop sending data within 24 cycles. The SBI datapath and interface options are shown in the following figure. The HSDP, SelectMAP, and JTAG data are adjusted to the 128-bit bus for processing.

Figure 51: SBI Datapath



X22572-121019

PMC Security Units

- [AES-GCM](#)
- [SHA3-384](#)
- [RSA/ECDSA](#)
- [True Random Number Generator](#)
- [Physically Unclonable Function](#)

AES-GCM

The Versal® device AES accelerator operates in GCM mode offering symmetric authentication, as well as decryption and encryption. Available at both boot and run time, this AES accelerator offers built-in protection against differential power attacks (DPA) and supports protocol protections (i.e., key rolling).

The AES-GCM supports a 256-bit key for boot and either a 128-bit or a 256-bit key afterward and uses a 128-bit data interface (broken into 32-bit words). In addition to GCM, this core also supports Galois Message Authentication Code (GMAC), which is intended for authentication of data using a symmetric key when encryption is not required. The AES-GCM engine also supports additional authenticated data (AAD).

The following key sources are supported:

- Battery-backed RAM (BBRAM)
- eFUSE
- Boot header
- User key register
- Black key (PUF encrypted key storage)

For additional details, see the *Versal ACAP Security Manual* (UG1508). This manual requires an active NDA to download from the [Design Security Lounge](#).

SHA3-384

Versal® ACAPs support the latest secure hash algorithm SHA3-384 standardized by NIST (FIPS-202).

The SHA3-384 hardware accelerator included in the Versal ACAP implements the SHA-3 algorithm. The SHA can be used alone or together with the RSA accelerator to provide image authentication. It is also used to perform an integrity check of the RCU ROM prior to execution. The SHA generates a 384-bit digest value. If a design requires a 256-bit digest, the least significant 256 bits of the digest should be used (see [Recommendation for Applications Using Approved Hash Algorithms NIST Special Publication 800-107](#)).

The hash function is calculated on memory blocks that are 832-bits long (104 bytes). Only whole blocks can be processed through the SHA. All messages processed by the SHA-3 accelerator must be appropriately padded. See [SHA-3 Standard: Permutation-Based Hash and Extendable-Output Functions, NIST FIPS PUB 202](#) for padding requirements. SHA3-384 padding should be $M \parallel 01 \parallel 10^* 1$.

For additional details, see the *Versal ACAP Security Manual* (UG1508). This manual requires an active NDA to download from the [Design Security Lounge](#).

RSA/ECDSA

The public key cryptographic algorithms ECDSA and RSA are used to verify the authenticity of the programmable device image. Boot images can be authenticated using either RSA-4096 or EDCSA (NIST P-384 curve). After boot, the RSA key length or ECDSA curve is user-selectable.

The Versal® ACAP includes an accelerator for both RSA and ECDSA math, and it is available to the user. For additional details, see the *Versal ACAP Security Manual* (UG1508). This manual requires an active NDA to download from the [Design Security Lounge](#).

The accelerator supports the following:

- RSA
 - Implements a modular exponentiation engine
 - $R \cdot R \bmod M$ precalculation
 - 2048, 3072, and 4096-bit key sizes
- ECDSA
 - Implements a point multiplier engine for elliptic curve cryptography

- P-384 curve for initial boot
- Support for a wide variety of NIST, SECG, SM2, and Brainpool curves for user images and data beyond initial boot

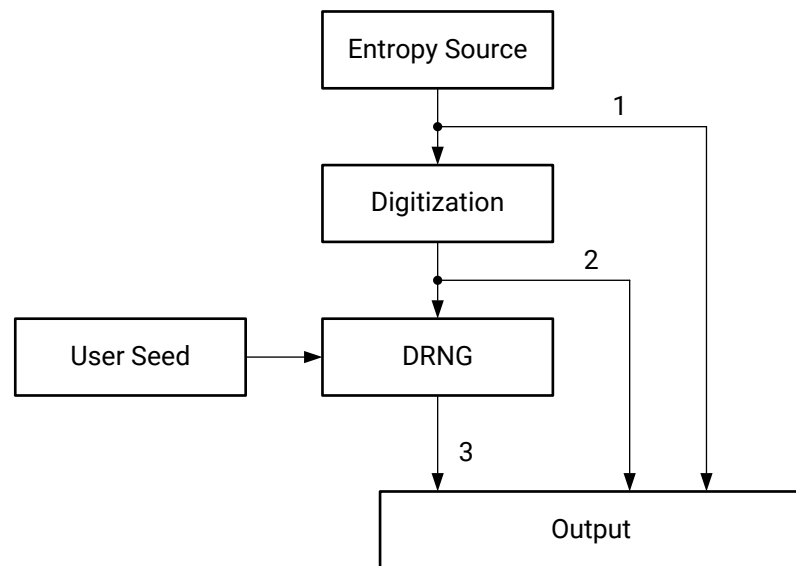
True Random Number Generator

The Versal® device contains a true random number generator (TRNG). The TRNG enables applications to be compliant with AIS-20/31 and NIST-800-90A/B/C standards. For additional details, see the *Versal ACAP Security Manual* (UG1508). This manual requires an active NDA to download from the [Design Security Lounge](#).

To support these standards, the TRNG operates in three modes as shown in the following figure.

1. Entropy source output
2. Internal seed + DRNG output
3. External seed + DRNG output

Figure 52: TRNG Modes of Operation



X24077-061220

Features include:

- Generates cryptographically secure random numbers
- Generates data blocks with a 32-bit wide interface
- Provides security strength of 256 bits

- Ring oscillator and PLL random sources

Physically Unclonable Function

The Versal® device contains a physically unclonable function (PUF). The PUF creates a signature (or fingerprint) of each device that is unique to that device. Its value is not “knowable” by Xilinx or the user enabling usage as a key encryption key (KEK). This KEK is 256 bits in length with 256 bits of entropy and is used to encrypt the users red key allowing its storage in black (encrypted) form. The black key can be stored in either eFUSEs, BBRAM, or external storage.

Enhanced from the previous generation, the Versal device PUF also outputs a user accessible unique ID that is cryptographically isolated from the PUF KEK itself despite using the same entropy source. While unique to each device, it is not considered a “secret” and does not have the same access protections as the KEK itself.

For additional details, see the *Versal ACAP Security Manual* (UG1508). This manual requires an active NDA to download from the [Design Security Lounge](#).

Secure Stream Switch

The secure stream switch (SSS) in the PMC routes the data between the two DMAs (PMC DMA0 and PMC DMA1), AES-GCM, SHA3-384, and SBI. The data sources for this switch are AES-GCM, SBI, and the two PMC DMAs. The data sources can only broadcast to a set of specific destinations as shown in the following table.

Table 91: Secure Stream Switch

Data Source	Data Destination (Valid Broadcast Option)				
	PMC DMA0	PMC DMA1	AES-GCM	SHA3-384	SBI
PMC DMA0	X		X	X	X
PMC DMA1		X	X	X	X
AES-GCM	X	X			
SBI	X	X			

Miscellaneous links:

- [PMC Interconnect Diagram](#)
- [PMC Security Units](#)
- [PMC DMAs](#)
- [SBI for JTAG and SelectMAP](#)

Any invalid configuration takes on the default configuration that essentially ties all destination ports to 0x0. The switch generates an error interrupt if data is broadcast into the system when the switch is in default configuration or when data is received from an unintended interfacing module during a particular configuration.

The configuration is set in the register, PMC_GLOBAL.SSS_CFG that resides in the PMC_GLOBAL register space. A particular destination module listens to only one of the source modules in the system at a particular instant in time.

PMC DMAs

The PMC has two 128-bit DMAs. The PMC DMA0 and PMC DMA1 are 2-channel simple DMAs that allow separate control of the read and write channel.

The PMC DMAs primary responsibility is to move data efficiently between the memory-mapped 128-bit AXI interface and the PMC secure stream switch domain. The PMC DMAs move data to and from the cryptographic accelerators (AES, SHA) and SelectMAP through the secure stream switch. The PMC DMAs are not bound to the PMC address space. For example, they can be used to fetch a reconfiguration image from DDR memory. Both PMC DMAs are independent and can be used simultaneously. In the SelectMAP boot mode, the PMC DMA1 is dedicated for the data loading.

The features of the PMC DMAs include:

- Separate read channel (SRC) and write channel (DST) DMA
- Read channel fetches data from the PS-side(memory) and delivers it to the PMC stream switch (SS) interface
- Write channel receives data from the PMC stream switch (SS) interface and delivers it to the PS-side (memory)
- 128-bit AXI 3.0 interface on the PS-side
- Deep 128x128-bit data FIFOs for both the SRC and DST datapaths
- Single thread (single AXI-ID) operation for both read and write channels
- PMC DMA operates synchronously in the `pmc_sec_clk` clock domain
- SRC DMA only issues a read AXI command if there is enough space in the read data FIFO for the entire burst
- Start address is 32-bit aligned
- PMC DMA hardware manages alignment between the SS-side and the AXI domain
- Transfer length is in units of 4-byte (32-bit) words
- Can accept two commands per channel via a 2-deep command FIFO
- Timeout mechanisms for both SRC (read) and DST (write) channels
- Dedicated APB interface for PMC DMA register access

Interconnect

This section includes these chapters:

- [Overview](#)
- [AXI Interconnect Switches](#)
- [Transaction Attributes](#)
- [Transaction Routes](#)
- [PL Interconnect Interfaces](#)
- [Shared Virtual Memory](#)
- [System Memory Management Unit](#)
- [Cache Coherent Interconnect](#)
- [Memory Space Protection](#)
- [Xilinx Memory Protection Unit](#)
- [Xilinx Peripheral Protection Unit](#)

Overview

The PMC, LPD, FPD, and CPM each include their own independent interconnect with both AXI and APB ports.

- [PMC Interconnect Diagram](#)
- [PS LPD Interconnect Diagram](#)
- [PS FPD Architecture](#)
- CPM Interconnect, see *Versal ACAP CPM CCIX Architecture Manual (AM016)*

Each interconnect has one or more connections to the network on chip (NoC) interconnect to provide access to the entire SoC, including the DDR memory controllers. There are direct AXI channels between these four interconnects.

Transaction requests enter an interconnect on an ingress port (iPort) and leaves the interconnect on an egress port (ePort). The global addressing and routing control registers enable transactions initiated in one power domain to arrive in another domain. This includes transactions to embedded memory and other device-level blocks, and between PMC, LPD, FPD, and CPM blocks.

The integrity of a transaction is checked and monitored at the iPort. The iPort applies a TrustZone security level based on register settings. Data parity errors are detected within the interconnect. Parity is checked as the transaction leaves the interconnect through the ePort. The ePort also includes a timeout feature that asserts a signal if the destination does not respond within a predetermined amount of time. Transactions with parity errors are propagated to the destination with an interrupt signal asserted. If a protection unit blocks a transaction, then the protection unit responds to the transaction with an error signal asserted. An interrupt is also generated. If a timeout occurs, the transaction is terminated by the ePort and a response is sent back to the source. In this case, a reset of the destination is usually required.

The the first 4 GB of the global address space is focused on the PMC and PS.

The route that transaction takes is defined at the ingress, iPort. The routing registers steer transactions directly to the NoC or via the FPD SMMU and CCI for shared memory and APU L2 cache coherency.

The TRM describes the details of the PMC and PS interconnects. The NoC is described in the *Versal ACAP Programmable Network on Chip and Integrated Memory Controller LogiCORE IP Product Guide (PG313)*.

Features

Transactions include several attributes that are used by the interconnect and the destination, including:

- Single or burst data transfers
- Secure or non-secure TrustZone declaration
- System management identification (SMID)
- Transaction steering for shared memory and cacheability via the FPD SMMU and CCI
- Transactions include 44 or 48 bits of address for physical and virtual memory space
 - 44-bit addresses are received by the NoC, DDR memory, PL and other memory-mapped destinations
 - 48-bit addresses are received by the SMMU for translation to a 44-bit physical address
- Quality of service (QoS) traffic types

The PPU and PSM processors generate a 32-bit address. The other sources of transactions can generate the 44- or 48-bit address; some do this with a base address register appended to their 32-bit address generation.

The transaction attributes are explained in the [Transaction Attributes](#) chapter. The parameter values used by each initiator are listed in [PL Interconnect Interfaces](#) chapter.

iPort Interfaces

The iPort interface receives transactions in to the interconnect switch and provides several functions:

- Monitors the transaction to make sure it adheres to protocol
- Assigns the TrustZone security state for the source
- Generates data parity for writes
- Checks data parity for reads
- Supports isolation that will quiesce the interface

ePort Interfaces

The ePort interface dispatches the transaction out from the interconnect switch to the destination, and provides several functions:

- Monitors the transaction for timeout
- Checks data parity for writes

- Generates data parity for reads
- Supports isolation that will quiesce the interface

Between the iPorts and ePorts there can be a protection unit within the interconnect switch.

Comparison to Previous Generation Xilinx Devices

This section contrasts the many differences in the Zynq® UltraScale+™ MPSoC and Versal® ACAP interconnects.

The NoC interconnect and NPI programming interface are new in the Versal devices and significantly affect the overall architecture of the device by giving all parts of the device direct access to one or more memory controllers and all of the integrated blocks in the device.

The Versal device adds a unifying NPI programming interface for all the non-PMC and PS register modules that use the APB interface with single word reads and writes. The NPI host controller is located on the PMC main interconnect switch and can burst program the register memory space.

The Versal device main and IOP interconnect switches within the PMC and PS have similar hardware architectures as the Zynq UltraScale+ MPSoC devices, but with very different implementations for timeout and isolation. The Versal device interconnects include parity generation and checking and greater control over TrustZone security and transaction routing. See the [Interconnect Switches](#) section.

MMUs

The MMUs in the APU cores and the FPD SMMU are similar to previous generation Xilinx® devices, but with different programming models and improved features.

Interconnect Switches

The interconnect switches exist in each of the major subsystems including the PMC, LPD, and FPD. The contrasting functionality is shown in the following table.

Table 92: Interconnect Switch Functionality

Function	Zynq UltraScale+ MPSoC	Versal ACAP	Description
Bus isolation	AXI isolation block (AIB)	ePort Isolation	For security and power management.
Timeout	AXI timeout block (ATB)	ePort Timeout	The timeout monitors the AMBA interconnect slave connection.
Transaction integrity error checking	~	ePort and iPort parity	Data parity is generated on incoming data. The parity is checked when the data exits the interconnect.

AXI Timeout

The AXI timeout function in the Versal ACAP is implemented on the ePorts of the interconnect with new IP. The timeout function is similar to Zynq UltraScale+ MPSoC but the instances and programming model are different.

AXI and APB Isolation

Isolation is done at the ports of the interconnect instead of using individual AXI isolation blocks (AIB). Both the iPorts and ePorts include isolation.

Xilinx Memory Protection Unit

The Xilinx memory protection unit (XMPU) in the Versal ACAP is similar to the one in the Zynq UltraScale+ MPSoC. The functional differences are shown in the following table.

Table 93: XMPU Functional Differences

Topic	Zynq UltraScale+ MPSoC	Versal ACAP
Error handling	Poison the base address	Issue a fail message on the interconnect back to initiator.
Response to address in secure range but ID match fails	Allow or deny based on default read/write configuration	By default, transaction is denied.

Xilinx Peripheral Protection Unit

The Xilinx peripheral protection unit (XPPU) in the Versal ACAP is similar to the one in the Zynq UltraScale+ MPSoC except in the way an error is handled. The default setting is to deny a transaction.

For the inter-processor interrupt (IPI) controller, the XPPU protects the whole address range 0xFF00_0000 to 0xFFFF_FFFF using 64 KB apertures. The IPI handles message buffer protection using apertures 49d to 63d). The XPPU does not have 32-byte apertures for the IPI.

Table 94: XPPU Functional Differences

Topic	Zynq UltraScale+ MPSoC	Versal	Comment
Location	Inserted on AXI channels	Embedded into interconnect switches.	The Versal interconnect switches integrate isolation, parity, access protection, and integrity checking.
Error handling	Poison the base address	Issue a fail message on the interconnect back to initiator.	
Total number of apertures	128 x 32 B 256 x 64 KB 16 x 1 MB 1 x 512 MB	~ 256 x 64 KB 16 x 1 MB 1 x 512 MB	Note: Only the LPD_XPPU includes the 1 x 512 MB aperture

Table 94: XPPU Functional Differences (cont'd)

Topic	Zynq UltraScale+ MPSoC	Versal	Comment
IPI controller	Control registers and message buffers protected by the XPPU	Control registers and message buffers protected by the IPI controller.	New functionality in the IPI.
IPI message buffer location	In XPPU	In IPI controller.	Message buffers are protected by the IPI

System Perspective

The interconnect has several system-level components:

- [Network On Chip](#)
- [PMC and PS Interconnect](#)
- [Register Module Programming Interfaces](#)

Network On Chip

The TRM introduces the network on chip (NoC) interconnect and includes it in high-level subsystem block diagrams, but does not explain its implementation or behavior. See the NoC product guide for its descriptions, guidance on configuration, and performance tuning, *Versal ACAP Programmable Network on Chip and Integrated Memory Controller LogiCORE IP Product Guide (PG313)*. The registers are included in the *Versal ACAP NoC and Integrated Memory Controller NPI Register Reference (AM019)*.

Configuration

The NoC is configured using the Vivado® IP integrator. Configuration data is written to the NoC units via the NPI programming interface.

PMC and PS Interconnect

The PMC and PS are coupled together with interfaces to the PL and CPM. Several 128-bit AMBA® interfaces exist between the PS and the PL:

- LPD and FPD each have master ports to the PL
- PL has three slave ports to the PS with two-way or I/O coherency with the APU L2 cache
- PL has two slave ports to the LPD and FPD main switches
- The PS has pathways to the CPM

- The CPM has a channel to the SMMU TCU3 that connects to the FPD CCI AXI4-Lite port

The main switches in the PMC, LPD, and FPD are shown in the [PMC-PS-CPM Interconnect Diagram](#).

Register Module Programming Interfaces

The APB and NPI programming interfaces enable software to access registers that control the interconnect and all the other system units. The APB programming interfaces are located throughout the PMC and PS on the main and IOP interconnects. The NPI programming interface is controlled by a single host located in the PMC. The NPI host is controlled by software using register accesses. Both interfaces provide address decode error reporting. The programming interface summary includes:

- APB: 32-bit RW, multiple interface locations
- NPI: 32-bit RW with burst, single host attached to the PMC interconnect

AXI Interconnect Switches

Transactions are routed through the interconnect switches based on address and, in some cases, register-based routing information. The interconnect channels can carry physical and virtual addresses. The majority of the interconnect carries a 44-bit physical address. The virtual address transactions are routed to the FPD SMMU or the PL, which consists of a 48-bit address and the 49th bit for software context designation. The transactions travel on the AMBA® interconnect and other protocol channels between the source of the transaction, through one or more interconnect switches, and finally to the destination.

Note: The term "channel" generally means the entire group of AMBA signals going from one interface to another, which includes the set of signals for a read, a write, and a transaction response. Channel also means the path through an interconnect switch.

Ingress and Egress Ports

Transactions enter the interconnect switch on ingress ports (iPort) and leave the interconnect switch on egress ports (ePorts). The transaction source asserts its request to an iPort. Inside the interconnect switch, the transactions goes through isolation and parity logic in the iPort. The transaction is steered through the switch and might go through a memory or peripheral protection unit (XMPU or XPPU). Before exiting the interconnect, the transaction is monitored by a timeout unit and a parity checking unit in the ePort. In the last stage before exiting on the ePort, the isolation unit can be used to halt traffic and turn back new traffic in the interconnect.

Note: An iPort receives read, write, and write response signals from the destination. The iPort provides parity generation for write data and parity checking for read data.

Interface Protocols

There are several types of interface protocols:

- AXI4 with 128, 64, and 32-bit data widths
- AHB4 masters and slaves (64 and 32-bit data)
- APB3 slaves (32-bit single data)

The AXI4 channels connect to interconnect switch iPorts. Then interconnect switch ePorts can interface to a single AXI channel or multiple APB register module programming interfaces. The AXI4 interface on an ePort can also provide access to memory resources, other interconnect switches, or a configuration interface for a MicroBlaze processor, including access to its local memories and caches.

Address and Transaction Context

Each transaction includes an address that is interpreted as either 44 or 48 bits. All transaction sources are capable of generating a 48-bit address. The upper 4 bits are only looked at by the FPD SMMU TCUs as a transaction with a virtual address.

The 48-bit virtual address also includes a 49th bit to indicate a kernel or application context for the FPD SMMU.

Burst Size

Transactions can have a burst size of up to 256 data beats. However, many destinations can only accept 16 beats or single data beats. The iPort accepts the number of beats from the initiator and measures out the data beat counts and data widths to satisfy the needs of the block attached to the ePort.

QoS

The interconnect switch passes the QoS signals along with the transaction request. It does not use the QoS signals to determine routing or priority. Priority for a master reaching a slave is on a first-come, first-serve basis.

Poisoned Transactions

When a problem has been detected in a transaction, its poison signal is asserted. The poison signal propagates to the destination. For example, the interconnect poisons a transaction when an access is blocked by a protection unit or a parity error is detected. In some cases, the iPort receives a transaction that is already poisoned. The interconnect can signal this with an interrupt and allow it to propagate through to the ePort and out the switch.

Isolation

Isolation has a number of purposes. Processors simultaneously run multiple applications. These applications can be physically and logically isolated from one another. The system enables an exchange and communication of information in a controlled manner. An application can be partitioned using interconnect inhibitors, as well as physical isolation where blocks are not sharing logic, such as using the fabric to expand the isolated system. Isolation can also be used when it is necessary to reset or power down logic.

Switch Architecture

The interconnect switches in the PMC and PS include:

- [PMC Interconnect](#)

- [PMC IOP Interconnect](#)
- [PSM Interconnect](#)
- [LPD and OCM Interconnect](#)
- [LPD IOP Interconnect](#)
- [PS CPM Interconnect](#)
- [FPD Interconnect](#)
- [FPD Auxiliary Interconnect](#)

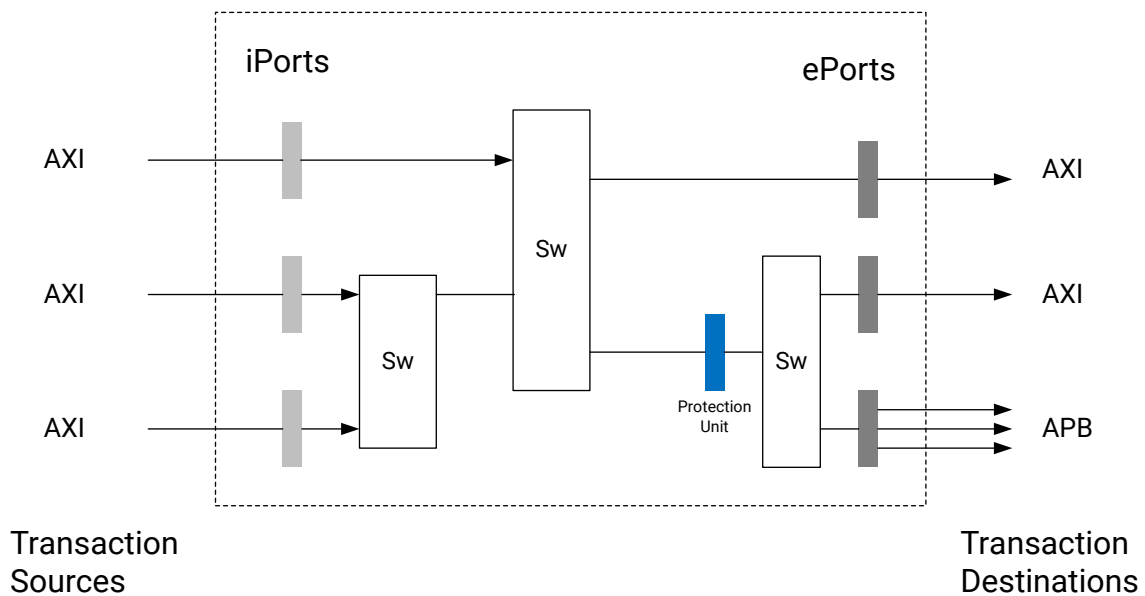
Related Information

[PL Interconnect Interfaces](#)

Conceptual Interconnect Switch

A conceptual view of an interconnect switch is shown in the following figure.

Figure 53: **Conceptual Interconnect Switch**

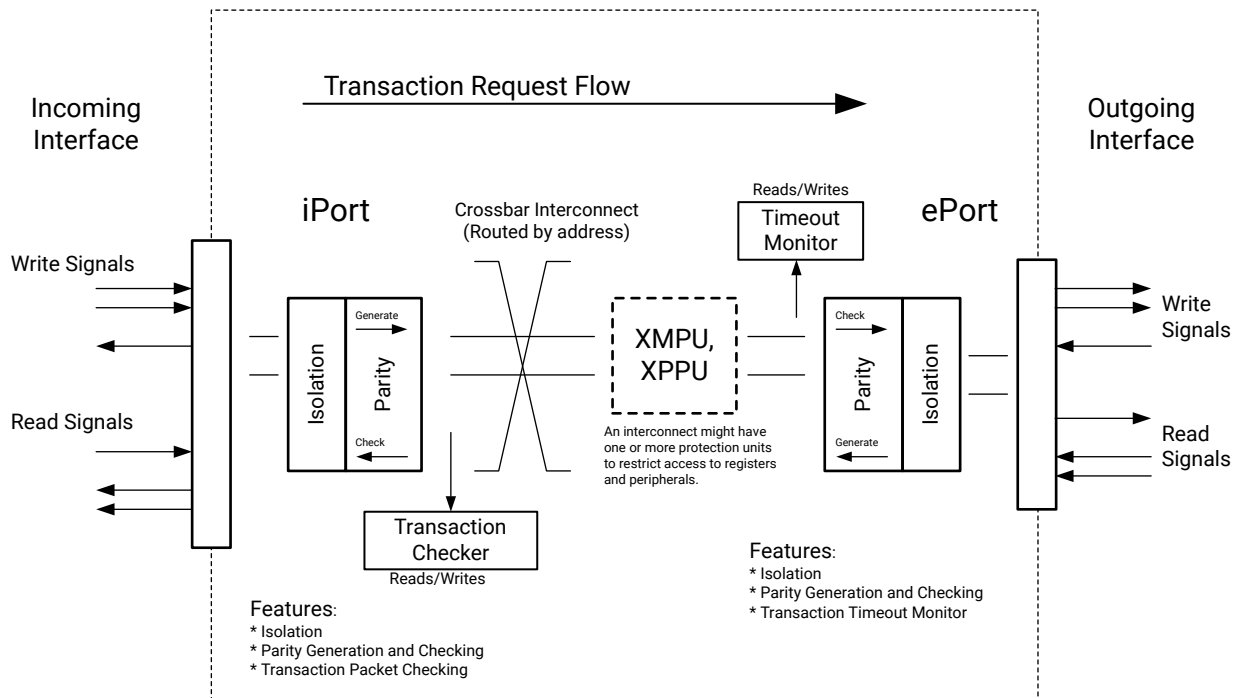


X25182-061321

Features in the Pathway

In the following figure, transaction requests are presented to the incoming interface and pass through the interconnect. They are received by an iPort and routed through the interconnect crossbar based on the address. The pathway sometimes includes an XMPU or XPPU. The transaction leaves the interconnect switch at an ePort. The features in this pathway are shown in the following figure.

Figure 54: Interconnect Switch Features Diagram



X23846-042321

Switch Ingress Ports

Features

An iPort switch ports the interface to transaction requests. The iPorts include these features and functions to monitor and control the interface.

- [iPort Protocol Integrity Checker](#)
- [iPort Isolation](#)
- [iPort Parity Unit](#) (generate on write data, check read data)

Inside the interconnect switch, transactions from the iPort are routed to an ePort based on the transaction address. The transaction may pass through sub-switches and a protection unit before exiting the interconnect on an ePort.

iPort AXI Connections

There are several types of AXI interfaces attached to the iPorts.

- Processors and other engines
- Interfaces from the PL
- Interfaces from another interconnect switch

Processors and other Engines

The RPU, APU, and LPD_DMA units connect to iPorts.

PL Interfaces

The following interfaces from the PL attach to iPorts.

- PL_AXI_LPD
- PL_AXI_FPD

Another Interconnect Switch

An iPort interface is sometimes attached to an ePort from another interconnect switch. This connection is usually a 128-bit AXI interface for data memory transactions.

iPort Protocol Integrity Checker

Transaction Integrity

The transaction protocol is a monitor for integrity. If the data beat count is not correct, or there are other irregularities, then an interrupt is asserted.

The protocol integrity of the incoming AXI transactions are monitored by the interconnect iPorts. The following table lists the integrity violation features.

Table 95: iPort Protocol Integrity Checker Detection

Violation Detection	Operation	Next Step
Illegal AXI transaction incoming	Detection is done by the transaction packet consistency check (part of safety features)	Normally requires an interconnect reset
Missing/extra data word beats	Detection is done by the transaction packet consistency check (part of safety features)	Normally requires an interconnect reset

Table 95: iPort Protocol Integrity Checker Detection (cont'd)

Violation Detection	Operation	Next Step
Act as the master proxy to complete pending transactions	All mechanisms are for detection only, not handled	

iPort Isolation

The isolation unit can block new bus traffic and wait for outstanding bus traffic to complete. This is normally done prior to the power shutdown of a power domain or island. Isolation might also be useful for security and safety.

When traffic is quiescent, the isolation unit asserts an interrupt so the firmware can take further action..

iPort Parity Unit

The iPorts generate parity for write data entering the iPort. The iPorts check read data being returned to the requester.

- Generate parity for write data
- Check parity on read data

Switch Egress Ports

The interconnect switch ePorts connect to destinations, which can include final destinations such as register programming interfaces or memory resources. The ePorts also interface to other interconnect switches.

The ePorts include several features and functions to monitor and control the interface. These features are explained in the following sections:

- [ePort Timeout](#)
- [ePort Isolation](#)
- [ePort Parity Unit](#)
- [ePort Reset](#)

Attached Interfaces

There are several types of interfaces attached to ePorts:

- Programming interface (APB/AXI)

- Configuration interface (AXI)
- Data memory interface including interfaces from the PL (AXI/ACE)

Programming Interface

A programming interface (ProgIF) connects a switch to one or more register modules. The protocol can be APB or AXI. If the interface is AXI, only one destination is connected to the ePort. If the interface is APB, more than one register module interface can be connected to the ePort.

Configuration Interface

A configuration interface (ConfigIF) connects a switch to another switch that can provide access to register modules, controls, caches, and other local memories. The configuration interface is usually a 32-bit AXI data bus.

Data Memory Interface

A data memory interface (DataMem) connects a switch to a memory, another switch, or the PL for transferring data. The data memory interface protocol is AXI or ACE-Lite with a 64- or 128-bit wide data bus.

ePort Timeout

The ePort timeout unit monitors the amount of time that a transaction is waiting on the attached block (programming interface or data port). If the amount of time exceeds a threshold, then the timeout unit provides an AXI response back to the initiator and raises an error flag. A timeout condition can be caused by several situations, such as:

- An unresponsive or misbehaving block that is:
 - Powered-down
 - In its reset state
 - Congested
 - Deadlocked

Timeout Counter

The timeout counter starts when the request command from the master port has been accepted by the interconnect switch and the transaction is routed to the slave port. When the slave responds to the transaction request (either with data in the case of a read or bus response in the case of a write), the timeout counter is reset and waits for another transaction from the master port.

If the timeout counter expires during a transaction, the interconnect switch responds back to the transaction initiator and generates a system interrupt.

Programming Sequence Example

The egress port timeout programming sequence is as follows:

1. Program the timeout reference clock. See the CRP [SWITCH_TIMEOUT_CTRL](#) register [DIVISOR] bit field [17:8] This clock is shared by all timeout blocks in the PMC, PS, and CPM switches.
2. Enable the error and timeout interrupt. Set the associated enable bit in the interconnect control and status register (e.g., for the LPD, see the LPD_INT_CSR [TIMEOUT_IER](#) register).
3. Enable the egress port [Timeout_En] bit [0] in the associated interconnect control and status register (e.g., for the LPD RPU 0 programming interface, see the LPD_INT_CSR [LPD_AXI_RPU0](#)). When disabled, the timeout interrupt for the interface will not occur for incomplete transactions (timeouts).
4. Monitor the associated interface ePort timeout interrupt bit (e.g., LPD_INT_CSR [TIMEOUT_ISR](#)).

ePort Isolation

The ePort isolation unit blocks new bus traffic and waits for outstanding bus traffic to complete. This is normally done prior to the power shutdown of a power domain or island. Isolation might also be useful for security and safety.

When traffic is quiescent, the isolation unit asserts an interrupt so the firmware can take further action.

ePort Parity Unit

The ePorts check the parity on write data that has traversed the interconnect switch. The ePorts generate parity on read data received from its interface:

- Check parity on write data
- Generate parity for read data

ePort Reset

The ePort register can issue a software reset to its attached block.

Each ePort includes its own reset domain but is also reset when the entire interconnect is reset. Consequently, an ePort can be individually reset or by the interconnect switch reset. The individual ePort resets are controlled by the interconnect configuration registers.

Interconnect Switch Diagrams

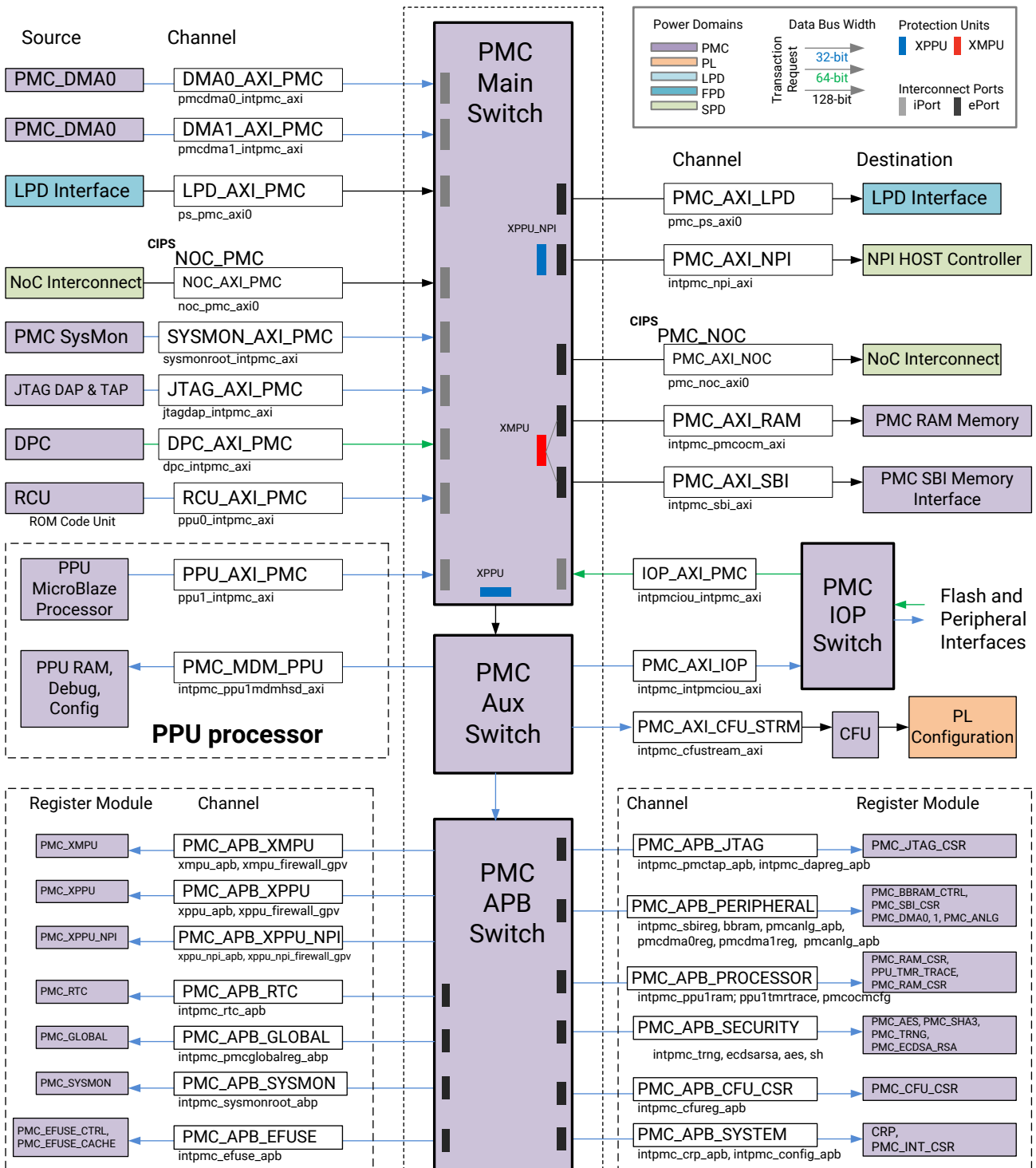
The PMC and PS interconnect switch port and channel diagrams are divided into the following:

- [PMC Interconnect](#)
- [PMC IOP Interconnect](#)
- [PSM Interconnect](#)
- [LPD and OCM Interconnect](#)
- [LPD IOP Interconnect](#)
- [FPD Interconnect](#)
- [FPD Auxiliary Interconnect](#)
- [PS CPM Interconnect](#)

PMC Interconnect

The PMC interconnect ports are controlled by the PMC_INT_CSR register module.

Figure 55: PMC Interconnect Channels and Ports

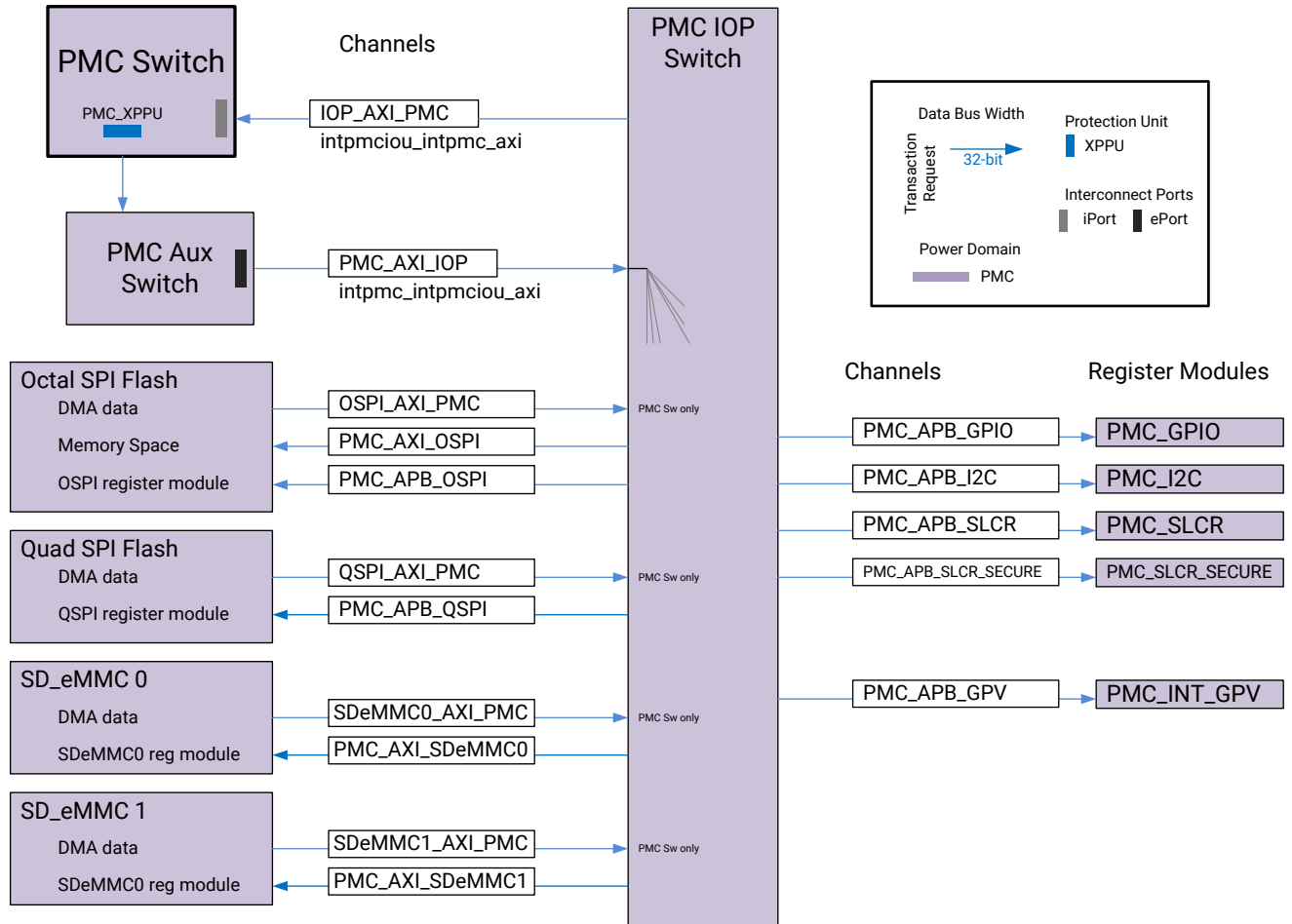


X25125-100121

PMC IOP Interconnect

The PMC IOP switch provides interfaces to the flash memory controllers and other register modules as shown in the following figure.

Figure 56: PMC IOP Interconnect Channels

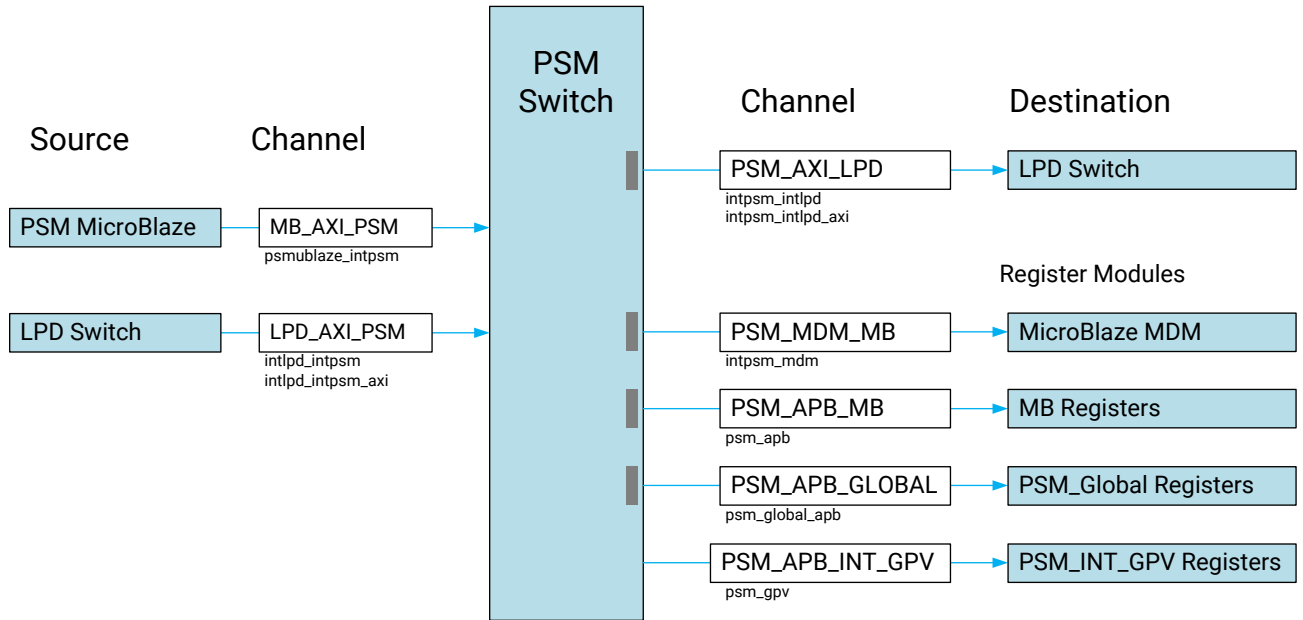


X25177-042421

PSM Interconnect

The PSM interconnect ports are controlled by the PSM_INT_CSR register module.

Figure 57: PSM Interconnect Channels and Ports

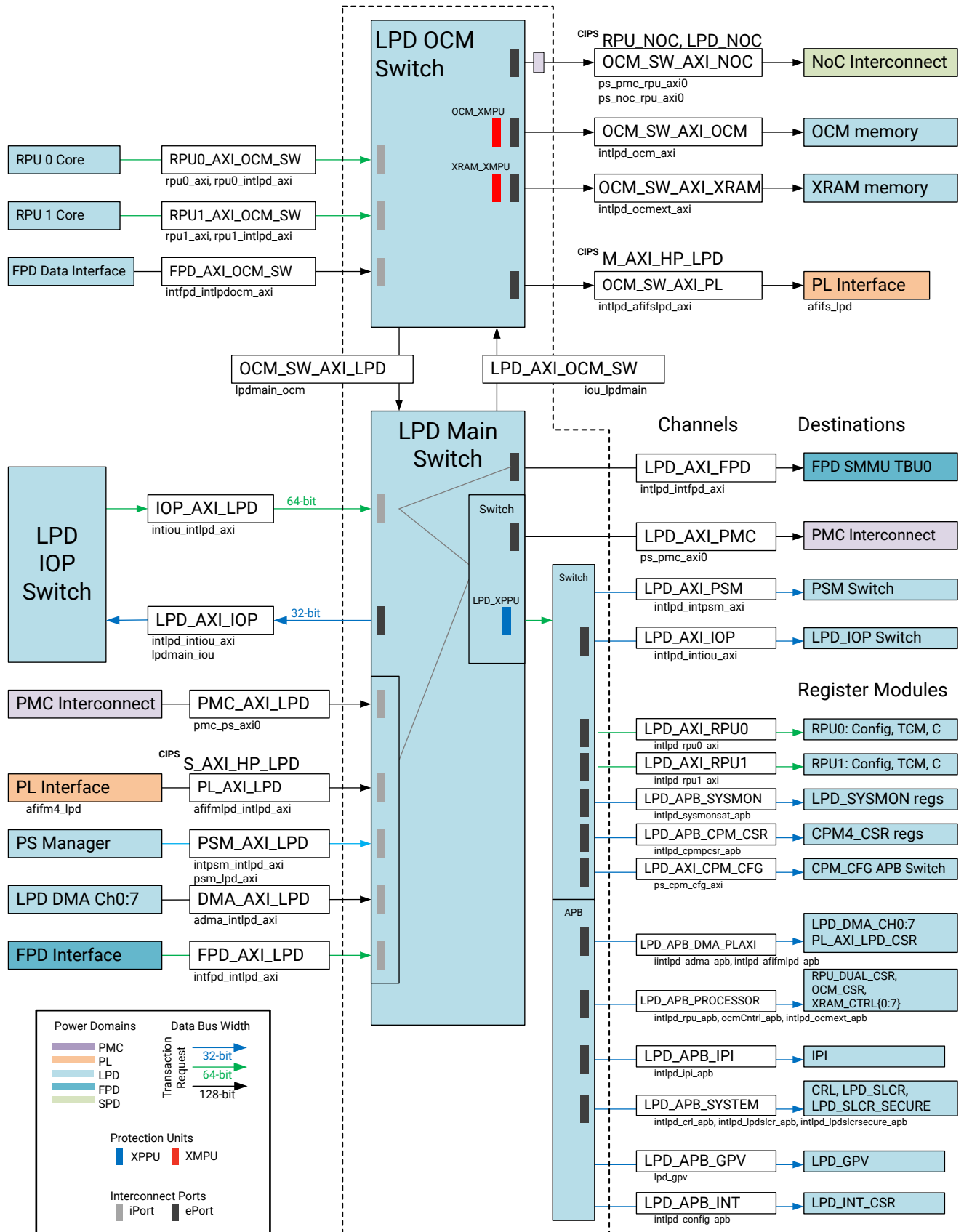


X25155-041822

LPD and OCM Interconnect

The following figure illustrates the LPD and OCM interconnect channels and ports.

Figure 58: LPD and OCM Interconnect Channels and Ports

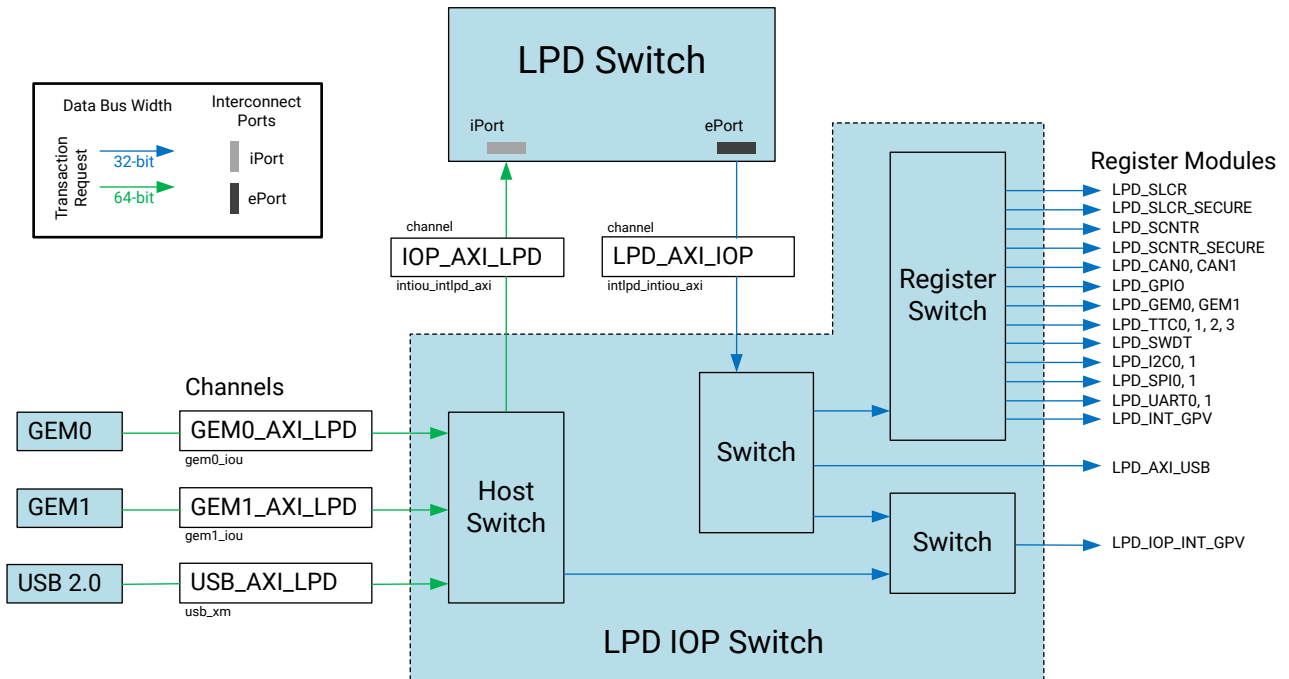


X24779-042621

LPD IOP Interconnect

The LPD IOP interconnect switch is shown in the following figure. The LPD IOP switch is protected by an iPort and ePort in the LPD switch.

Figure 59: LPD IOP Interconnect Interfaces

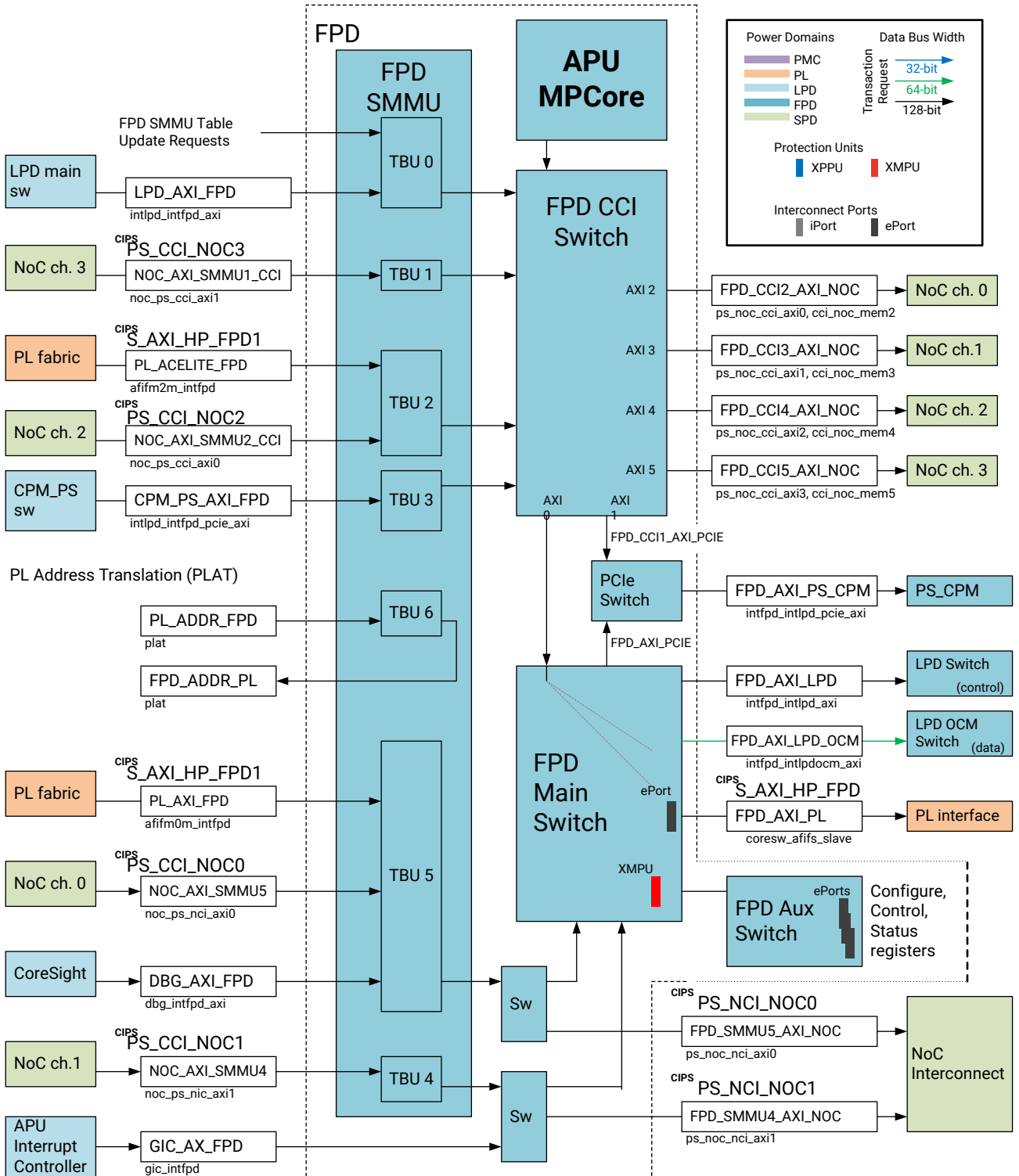


X24779-030921

FPD Interconnect

The FPD interconnect is controlled by the FPD_INT_CSR register set.

Figure 60: FPD Interconnect Channels and Ports

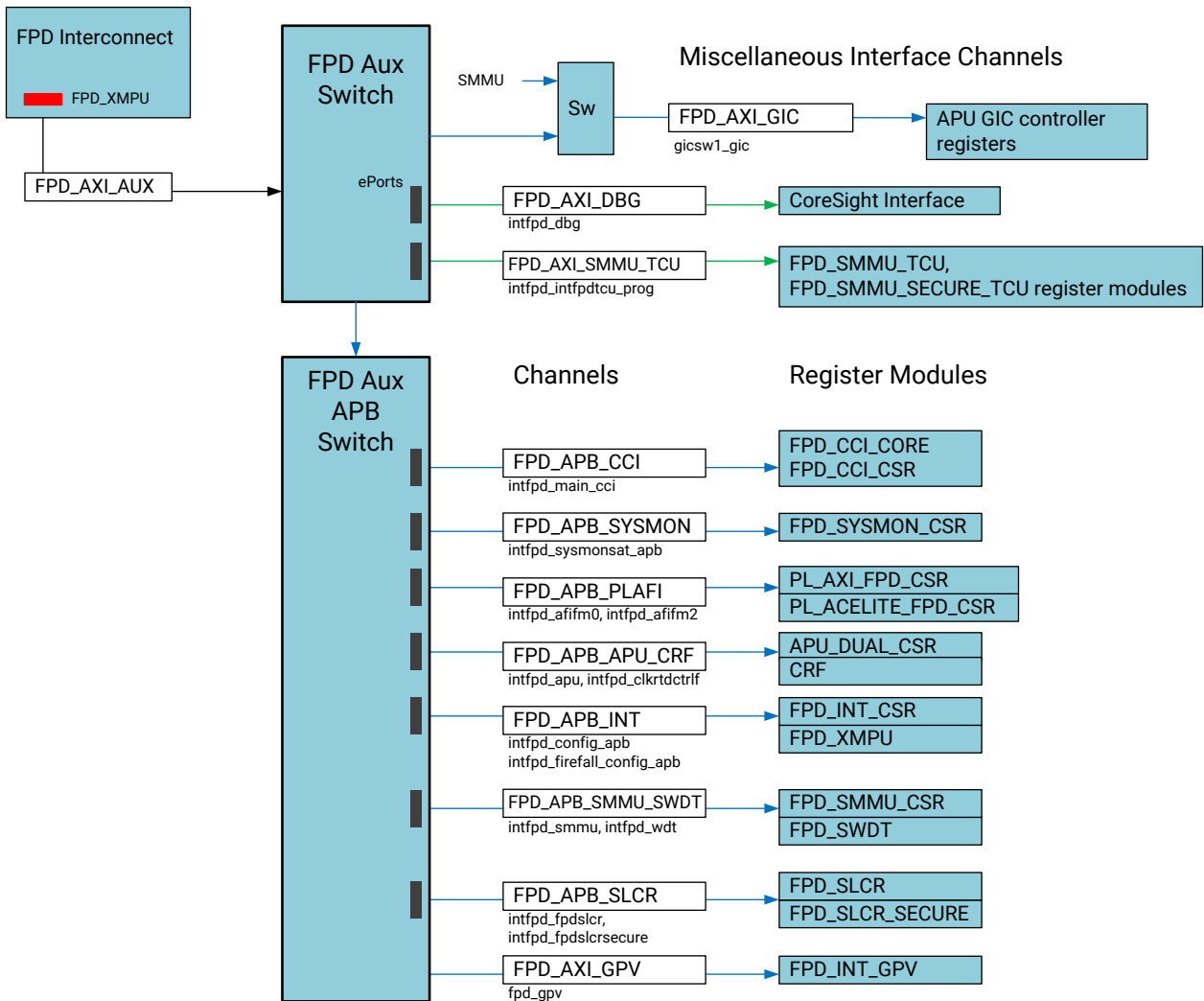


X25058-101321

FPD Auxiliary Interconnect

The following figure illustrates the FPD auxiliary interconnect channels and ports.

Figure 61: FPD Auxiliary Interconnect Channels and Ports



X25178-021022

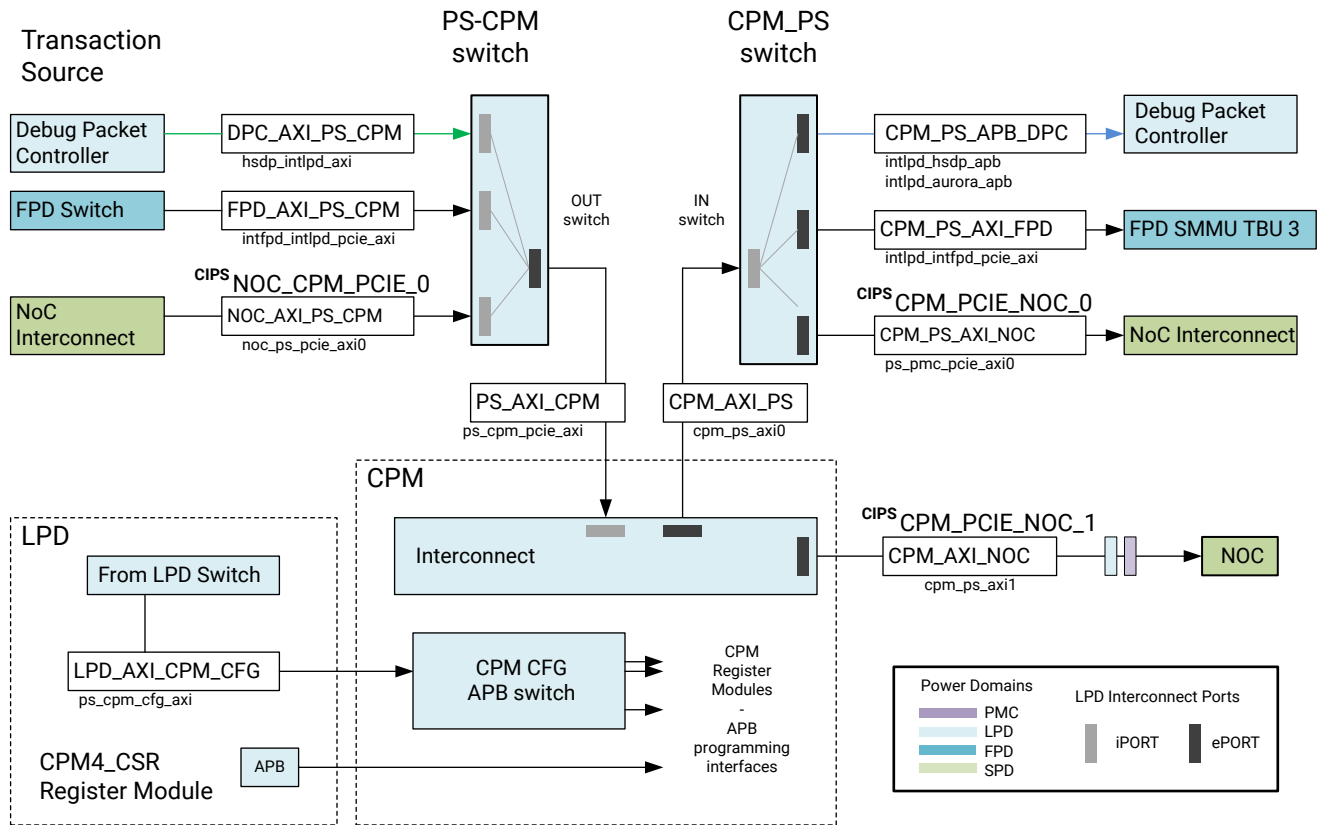
PS CPM Interconnect

When the CPM is present, there are two switches in the LPD power domain that connect the CPM to the PS:

- PS_CPM (PS to CPM requests)
- CPM_PS (CPM to PS requests)

The connections for the two CPM4 switches to the CPM are shown in the following figure.

Figure 62: PS CPM Interconnect Channels and Ports



X24825-060421

Interconnect Channels and Ports

There are many interconnect ports in the PMC, PS, and CPM. The ports are characterized as follows:

- Host: Host interfaces source the transaction and are connected to an iPort
- ProgIF: Register programming interfaces often have an ePort
- Config: Configuration interfaces have an ePort, but never an iPort
- Switch: Types of interface channels attached to port modules:
 - Interface includes an ePort and iPort module
 - ePort module to another switch without an iPort module
 - Neither interface has a port because the channel is a path within switches in the same domain or has other protection

The PMC, PS, and CPM interface channels are listed in the following table.

Table 96: Interconnect Channels and Ports

Interconnect Channel		Source Port		Destination Port		Notes
Name	Type	Name	Type	Name Port	Type	
CPM_AXI_NOC	Data	CPM	ePort	NoC Interconnect	-	cpm_ps_axi1
CPM_AXI_PCIE	Data	CPM Main Switch	ePort	CPM PCIe Interface	-	intcpm_pcie_axi
CPM_AXI_PS	Switch	CPM Main Switch	ePort	CPM_PS Switch	iPort	cpm_ps_axi0
CPM_PS_AXI_FPD	Data	CPM_PS Switch	ePort	FPD_SMMU_TBU3	-	intlpd_intfpd_pcie_axi
CPM_PS_AXI_NOC	Data	CPM_PS Switch	ePort	NoC Interconnect	-	ps_noc_pcie_axi0
CPM_PS_APB_DPC	Data	CPM_PS Switch	ePort	Debug Packet Controller	-	intlpd_hsdp_apb
JTAG_AXI_PMC	Host	JTAG DAP Controller	-	PMC Switch	iPort	jtagdap_intpmc_axi
DBG_AXI_FPD	Host	CoreSight	-	FPD Switch	iPort	dbg_intfpd_axi
DMA_AXI_LPD	Host	LPD_DMA controller	-	LPD Switch	iPort	adma_intlpd_axi
DMA0_AXI_PMC	Host	PMC_DMA0	-	PMC Switch	iPort	pmcdma0_intpmc_axi
DMA1_AXI_PMC	Host	PMC_DMA1	-	PMC Switch	iPort	pmcdma1_intpmc_axi
DPC_AXI_PMC	Host	DPC	-	PMC Switch	iPort	dpc_intpmc_axi
DPC_AXI_PS_CPM	Host	DPC	-	PS_CPM	iPort	hsdp_intlpd_axi
FPD_ADDR_PL	Addr	FPD_SMMU_TBU6	-	PL Fabric	-	plat (addr translation)
FPD_APB_PLAXI	ProgIF	FPD_Aux Switch	ePort	PL_AXI_FPD_CSR	-	intfpd_afifm0
FPD_APB_PLACELITE	ProgIF	FPD_Aux Switch	ePort	PL_ACELITE_FPD_CSR	-	intfpd_afifm2
FPD_APB_APU_CRF	ProgIF	FPD_Aux Switch	ePort	APU_DUAL_CSR	-	
FPD_APB_CRF	ProgIF	FPD_Aux Switch	ePort	CRF Controller	-	
FPD_APB_CCI	ProgIF	FPD_Aux Switch	ePort	FPD_CCI_CORE	-	intfpd_main_cci
FPD_APB_CCI	ProgIF	FPD_Aux Switch	ePort	FPD_CCI_CSR	-	intfpd_main_cci
FPD_APB_INT	ProgIF	FPD_Aux Switch	ePort	FPD_INT_CSR	-	intfpd_config_apb
FPD_APB_INT	ProgIF	FPD_Aux Switch	ePort	FPD_XMPU	-	intfpd_firefall_config_apb
FPD_APB_SLCR	ProgIF	FPD_Aux Switch	ePort	FPD_SLCR	-	intfpd_fpdslcr
FPD_APB_SLCR	ProgIF	FPD_Aux Switch	ePort	FPD_SLCR_SECURE	-	intfpd_fpdslcrsecure
FPD_AXI_SMMU_CSR	ProgIF	FPD_Aux Switch	ePort	FPD_SMMU_CSR	-	intfpd_smmu
FPD_AXI_SMMU_TCU	ProgIF	FPD_Aux Switch	ePort	FPD_SMMU_TCU	-	
FPD_AXI_SMMU_SECURE_TCU	ProgIF	FPD_Aux Switch	ePort	FPD_SMMU_SECURE_TCU	-	
FPD_AXI_SWDT	ProgIF	FPD_Aux Switch	ePort	FPD_SWDT	-	intfpd_wdt
FPD_AXI_AUX	Switch	FPD Switch	-	FPD_Aux Switch	-	-
FPD_AXI_DBG	Data	FPD_Aux Switch	ePort	CoreSight	-	intfpd_dbg
FPD_AXI_GIC	ProgIF	FPD_Aux Switch	ePort	APU GIC x11 Reg Modules	-	gicsw1_gic
FPD_AXI_GPV	ProgIF	FPD_Aux Switch	-	FPD_INT_GPV Registers	-	fpd_gpv
FPD_AXI_LPD	Data	FPD Switch	ePort	LPD main Switch	-	intfpd_intlpd_axi

Table 96: Interconnect Channels and Ports (cont'd)

Interconnect Channel		Source Port		Destination Port		Notes
Name	Type	Name	Type	Name Port	Type	
FPD_AXI_OCM_SW	Switch	FPD Switch	ePort	OCM Switch in LPD	iPort	intfspd_intlpsdocm_axi
FPD_AXI_PCIE	Switch	FPD Switch	-	PCIE_PCIE Switch	-	-
FPD_AXI_PL	Data	FPD Switch	ePort	AXI Interface to PL Fabric	-	coresw_afifs_slave
FPD_AXI_PS_CPM	Switch	FPD_PCIE Switch	-	PS_CPM Switch	iPort	intfspd_intlpsd_pcie_axi
FPD_AXI_SMMU_TCU	Config	FPD_Aux Switch	-	FPD SMMU	-	intfspd_intfspd_tcu_prog
FPD_CCI0_AXI_PCIE	Switch	FPD_CCI port 0	-	FPD_Main Switch	-	-
FPD_CCI1_AXI_PCIE	Switch	FPD_CCI port 1	-	FPD_PCIE Switch	-	-
FPD_CCI2_AXI_NOC	Data	FPD_CCI port 2	ePort	NoC channel 0	-	ps_noc_cci_axi0
FPD_CCI3_AXI_NOC	Data	FPD_CCI port 3	ePort	NoC channel 1	-	ps_noc_cci_axi1
FPD_CCI4_AXI_NOC	Data	FPD_CCI port 4	ePort	NoC channel 2	-	ps_noc_cci_axi2
FPD_CCI5_AXI_NOC	Data	FPD_CCI port 5	ePort	NoC channel 3	-	ps_noc_cci_axi3
FPD_SMMU4_AXI_NOC	Data	FPD_SMMU TBU 4	ePort	NoC channel	-	ps_noc_nci_axi1
FPD_SMMU5_AXI_NOC	Data	FPD_SMMU TBU 5	ePort	NoC channel	-	ps_noc_nci_axi0
GIC_AXI_FPD	Data	APU_GIC_xxx	-	FPD Switch	-	gic_intfspd
IOP_AXI_PMC	Switch	PMC_IOP Switch	-	PMC Switch	iPort	intpmciou_intpmc_axi
LPD_APB_CPM_CSR	ProgIF	LPD Switch	ePort	CPM4_CSR	-	intlpsd_cpmpcsr_apb
LPD_APB_GPV	ProgIF	LPD Switch	-	LPD_INT_GPV Registers	-	lpsd_gpv
LPD_APB_IPI	ProgIF	LPD Switch	ePort	IPI Register Module	-	intlpsd_lpsdipi_apb
LPD_APB_DMA	ProgIF	LPD Switch	ePort	LPD_DMA registers	-	intlpsd_adma_apb
LPD_APB_PLAXI	ProgIF	LPD Switch	ePort	PL_AXI_LPD_CSR	-	intlpsd_afifmlpsd_apb
LPD_APB_RPU_DUAL_CS R	ProgIF	LPD Switch	ePort	RPU_DUAL_CSR	-	intlpsd_rpu_apb
LPD_APB_OCM_CSR	ProgIF	LPD Switch	ePort	OCM_CSR	-	intlpsd_ocmCntrl_apb
LPD_APB_XRAM_CTRL{0: 3}	ProgIF	LPD Switch	ePort	XRAM Control Registers	-	intlpsd_ocmext_apb
LPD_APB_SLCR	ProgIF	LPD Switch	ePort	LPD_SLCR	-	intlpsd_lpsdslcr_apb
LPD_APB_SLCR_SECURE	ProgIF	LPD Switch	ePort	LPD_SLCR_SECURE	-	intlpsd_lpsdslcrsecure_apb
LPD_APB_CRL	ProgIF	LPD Switch	ePort	CRL Registers	-	intlpsd_crl_apb
LPD_AXI_CPM_CFG	Switch	LPD Switch	ePort	CPM_CFG APB Switch	-	ps_cpm_cfg_axi
LPD_AXI_FPD	Switch	LPD Switch	ePort	FPD_SMMU_TBU0	-	intlpsd_intfspd_axi
LPD_AXI_IOP	Switch	LPD Switch	ePort	LPD_IOP Switch	-	intlpsd_intiou_axi, lpsd_main_iou
OCM_SW_AXI_NOC	Data	OCM Switch in LPD	ePort	NoC Interconnect	-	ps_noc_rpu_axi0
OCM_SW_AXI_OCM	Data	OCM Switch in LPD	ePort	OCM Memory	-	intlpsd_ocm_axi
LPD_AXI_OCM_SW	Switch	LPD Switch	-	OCM Switch in LPD	-	iou_lpsdmain
OCM_SW_AXI_PL	Switch	OCM Switch in LPD	ePort	AXI to PL Fabric	-	intlpsd_afifslpsd_axi, m_axi_lpsd

Table 96: Interconnect Channels and Ports (cont'd)

Interconnect Channel		Source Port		Destination Port		Notes
Name	Type	Name	Type	Name Port	Type	
LPD_AXI_PMC	Switch	LPD Switch	ePort	PMC Switch	iPort	ps_pmc_axi0
LPD_AXI_PSM	Switch	LPD Switch	-	PSM Switch	-	intlpd_intpsm_axi
LPD_AXI_RPU0	Config	LPD Switch	ePort	RPU0: config, TCM, Cache	-	intlpd_rpu0_axi
LPD_AXI_RPU1	Config	LPD Switch	ePort	RPU1: config, TCM, Cache	-	intlpd_rpu1_axi
OCM_SW_AXI_XRAM	Data	OCM Switch in LPD	ePort	XRAM Memory	-	intlpd_ocmext_axi
MB_AXI_PSM	Data	PSM MicroBlaze Config, Cache	-	PSM Switch	-	psmublaze_intpsm
NOC_AXI_TBU1_CCI	Switch	NoC Interconnect	-	FPD SMMU TBU1 and CCI	-	noc_ps_cci_axi1
NOC_AXI_TBU2_CCI	Switch	NoC Interconnect	-	FPD SMMU TBU2 and CCI	-	noc_ps_cci_axi0
NOC_AXI_TBU4	Switch	NoC Interconnect	-	FPD SMMU TBU4	-	noc_ps_nci_axi1
NOC_AXI_TBU5	Switch	NoC Interconnect	-	FPD SMMU TBU5	-	noc_ps_nci_axi0
NOC_AXI_PMC	Switch	NoC Interconnect	-	PMC Switch	iPort	noc_pmc_axi0
NOC_AXI_PS_CPM	Switch	NoC Interconnect	-	PS_CPM Switch	iPort	noc_ps_pci_axi0
OCM_SW_AXI_LPD	Switch	OCM Switch in LPD	-	LPD Switch	-	lpdmain_ocm
PL_ACELITE_FPD	Switch	ACE_Lite from PL	-	FPD_SMMU_TBU2	-	afifm2m_intfpd
PL_ADDR_FPD	Addr	Address-only from PL	-	FPD_SMMU_TBU6	-	plat (addr translation)
PL_AXI_FPD	Switch	AXI from PL	-	FPD SMMU TBU5	iPort	afifm0m_intfpd
PL_AXI_LPD	Switch	AXI from PL	-	LPD Switch	iPort	afifmlpd_intlpd_axi
PMC_APB_CFU_CSR	ProgIF	PMC Switch	ePort	CFU_CSR registers	-	intpmc_cfureg_apb
PMC_APB_EFUSE	ProgIF	PMC Switch	ePort	PMC_EFUSE_CTRL	-	intpmc_efuse_apb
PMC_APB_GLOBAL	ProgIF	PMC Switch	ePort	PMC_GLOBAL registers	-	intpmc_pmcglobalreg_apb
PMC_APB_JTAG	ProgIF	PMC Switch	ePort	PMC_JTAG_CSR	-	pmctap_apb, pmcdap_apb, dapreg_apb
PMC_APB_BBRAM	ProgIF	PMC Switch	ePort	PMC_BBRAM_CTRL	-	intpmc_bbram_apb
PMC_APB_ANLG	ProgIF	PMC Switch	ePort	PMC_ANLG	-	intpmc_pmcanlg_apb
PMC_APB_SBI_CSR	ProgIF	PMC Switch	ePort	PMC_SBI_CSR	-	intpmc_sbireg_apb
PMC_APB_DMA0_CSR	ProgIF	PMC Switch	ePort	PMC_DMA0_CSR	-	intpmc_pmcdma0reg_apb
PMC_APB_DMA1_CSR	ProgIF	PMC Switch	ePort	PMC_DMA1_CSR	-	intpmc_pmcdma1reg_apb
PMC_APB_RAM_CSR	ProgIF	PMC Switch	ePort	PPU_RAM_CSR	-	intpmc_ppu1ram_apb
PMC_APB_PPU_TMR	ProgIF	PMC Switch	ePort	PPU_TMR_xxx	-	intpmb_ppu1tmrtrace_apb
PMC_APB_RAM_CSR	ProgIF	PMC Switch	ePort	PMC_RAM_CSR	-	intpmc_pmcocmcfgr_apb
PMC_APB_RTC	ProgIF	PMC Switch	ePort	PMC_RTC	-	intpmc_rtc_apb

Table 96: Interconnect Channels and Ports (cont'd)

Interconnect Channel		Source Port		Destination Port		Notes
Name	Type	Name	Type	Name Port	Type	
PMC_APB_AES	ProgIF	PMC Switch	ePort	PMC_AES	-	intpmc_aes_apb
PMC_APB_ECDSA_RSA	ProgIF	PMC Switch	ePort	PMC_ECDSA_RSA		intpmc_ecdsarsa_apb, ecdsarsa_apb
PMC_APB_SHA3	ProgIF	PMC Switch	ePort	PMC_SHA3		intpmc_sha_apb, sha_apb
PMC_APB_TRNG	ProgIF	PMC Switch	ePort	PMC_TRNG		intpmc_trng_apb, trng_apb
PMC_APB_SYSMON	ProgIF	PMC Switch	ePort	PMC_SYSMON	-	sysmonroot_apb
PMC_APB_CRP	ProgIF	PMC Switch	ePort	CRP registers	-	intpmc_crp_apb
PMC_APB_INT_CSR	ProgIF	PMC Switch	ePort	PMC_INT_CSR		intpmc_config_apb
PMC_APB_XMPU	ProgIF	PMC Switch	-	PMC_XMPU	-	xmpu_apb, xmpu_firewall_gpv
PMC_APB_XPPU	ProgIF	PMC Switch	-	PMC_XPPU	-	xppu_apb, xppu_firewall_gpv
PMC_APB_XPPU_NPI	ProgIF	PMC Switch	-	PMC_XPPU_NPI	-	xppu_npi_apb, xppu_npi_firewall_gpv
PMC_AXI_CFU_STRM	Data	PMC Switch	ePort	CFU_STREAM	-	intpmc_cfustream_axi
PMC_AXI_IOP	Switch	PMC Aux Switch	ePort	PMC_IOP Switch	-	intpmc_intpmciou_axi, lpdmain_iou
PMC_AXI_LPD	Switch	PMC Switch	ePort	LPD Switch	iPort	pmc_ps_axi0
PMC_AXI_NOC	Switch	PMC Switch	ePort	NoC Interconnect	-	pmc_noc_axi0
PMC_AXI_NPI	Config	PMC Switch	ePort	NPI_HOST Controller	-	intpmc_npi_axi
PMC_AXI_RAM	Data	PMC Switch	ePort	PMC RAM Memory	-	intpmc_pmcoem_axi
PMC_AXI_SBI	Data	PMC Switch	ePort	PMC_SBI data port	-	intpmc_sbi_axi
PMC_MDM_PPU	Config	PMC Switch	ePort	PPU_MDM Debug	-	intpmc_ppu1mdmshd_a xi
PPU_AXI_PMC	Data	PPU Processor	-	PMC Switch	iPort	ppu1_intpmc_axi
PS_AXI_CPM	Switch	PS_CPM Switch	ePort	CPM Main Switch	iPort	ps_cpm_pcie_axi
PSM_APB_GLOBAL	ProgIF	PSM Switch	ePort	PSM_GLOBAL registers	-	psm_global_apb
PSM_APB_INT_GPV	ProgIF	PSM Switch	-	PSM_INT_GPV	-	psm_gpv
PSM_APB_MB	ProgIF	PSM Switch	ePort	PSM MicroBlaze Registers	-	psm_apb
PSM_AXI_LPD	Switch	PSM Switch	ePort	LPD Switch	-	intpsm_intltpd_axi
PSM_MDM_MB	Config	PSM Switch	ePort	PSM MicroBlaze Config, Cache	-	intpsm_mdm
RCU_AXI_PMC	Data	RCU Processor	-	PMC Switch	iPort	ppu0_intpmc_axi
RPU0_AXI_OCM_SW	Data	RPU 0 Processor	-	OCM Switch in LPD	iPort	rpu0_axi, rpu0_intltpd_axi
RPU1_AXI_OCM_SW	Data	RPU 1 Processor	-	OCM Switch in LPD	iPort	rpu1_axi, rpu1_intltpd_axi
SYSMON_AXI_PMC	Data	PMC SYSMON	-	PMC Switch	iPort	sysmonroot_intpmc_axi

Interconnect Register Set Overview

The interconnect control and status registers are contained in the INT_CSR and INT_GPV register sets.

CSR Registers

These CSR interconnect register sets control the functionality of the iPort and ePorts.

- [PMC_INT_CSR](#)
- [PSM_INT_CSR](#)
- [LPD_INT_CSR](#)
- [FPD_INT_CSR](#)
- [CPM4_INT_CSR](#)

GPV Registers

The GPV interconnect registers control the functionality of the QoS generator and the resilience fault controller.

- [PMC_INT_GPV](#)
- [PMC_IOP_INT_GPV](#)
- [PSM_INT_GPV](#)
- [LPD_INT_GPV](#)
- [LPD_IOP_INT_GPV](#)
- [FPD_INT_GPV](#)
- [CPM4_INT_GPV](#)
- [XRAM_INT_GPV](#)

Note: The GPV register set descriptions are currently not available.

Transaction Attributes

The interconnect transaction attributes include the data and address widths, as well as the AxCACHE, AxUSER, and AxPROT command signals that accompany the transaction request as defined by the Arm® AMBA® AXI and ACE Protocol Specification.

Transactions are initiated with several types of attributes in addition to an address and a read/write request. The transaction attribute settings and options for each source are described in the following sections.

Note: Not all parameters apply to all transactions. Some transaction have fixed attribute signal values while others have signal values that can be configured dynamically.

The transaction attribute signals include the following.

- [Address](#)
- [Data](#)
- [System Management ID](#)
- [TrustZone Security](#)
- [AxCACHE](#)
- [Quality of Service](#)
- [Safety FeaturesPoisoned Transaction](#)

Transactions from the LPD hosts can be individually routed directly to memory or to the FPD SMMU TBUs and the CCI for shared memory and coherent transactions.

Address

The PMC/PS interconnect transactions include a 44- or 49-bit address:

- 44-bit physical address (32 TB)
- 48-bit virtual address (512 TB) plus a context selection bit

When routing a transaction to the FPD SMMU, use a 48-bit address with a 49th bit used to define the operating context: application or kernel. All other destinations, including memories, NoC, and PL, use 44-bit addressing. The routing controls for each source are listed in [Routing and Coherency Controls](#) section.

Data

The interconnect includes the AXI and APB interface protocols. The AXI data width can be 32, 64, or 128 bits. The APB protocol is used for the 32-bit programming interfaces and low-bandwidth data ports.

The smallest data transaction is a single 32-bit word. The largest transaction is a 128-bit data word with a burst of 256 data cycles (4 KB burst size).

- AXI: Sources can burst up to 256 words
- APB: Receive single 32-bit data word
- NPI: Receive burst of 32-bit data words
- AXI: Destinations can only receive up to 16 words

Transaction Adaptation

The interconnect manages transaction requests. When the source and destination have a different data width or burst length, the transaction is modified, including breaking up a long burst into shorter bursts.

When an AXI transaction includes a 256-word burst, but the destination only supports 16-word bursts, the interconnect breaks the transaction into 16-word bursts with the proper data width for the destination interface.

System Management ID

Each transaction source generates one or more 10-bit system management ID (SMID) numbers. The SMID is used by the SMMU, XMPU, XPPU, and IPI to identify the source of a transaction to ensure it has the authority to access the destination.

Every PMC and PS transaction is assigned one or more unique SMID value starting with bit [9] = 1. One exception to this is the FPD CCI snoop filter eviction controller; this uses an SMID value = 000h to move dirty cache data from the CMN caches to system memory.

Each non-PMC/PS transaction is assigned one or more unique number with bit [9] = 0. The SMID value is driven on the AxUSER channel. See [PMC and PS SMID Table](#) for an assignment list.

When a transaction is routed through a TBU in the SMMU, the 10-bit SMID value is concatenated with a 5-bit stream field that is unique to each TBU in the SMMU. See [Stream IDs](#) for assignments.

Features

Each unique SMID (one or more) per transaction source is applied to both reads and writes. The SMIDs provide the following characteristics and features:

- A source can have more than one SMID if it has different memory access threads that should be treated differently for system management purposes (e.g., multi-channel DMA).
- A source can have more than one SMID if it can support dynamic switching between two or more contexts.
- SMIDs traverse end-to-end over the NoC and AXI interconnect (soft and hard) via the AxUSER bits.
- PS sources are assigned a fixed set of SMIDs. The assignments for the PL sources are configurable.
- SMID [9] bit is hardwired and splits the masters into two groups:
 - 1: PS sources.
 - 0: Non-PS sources (including NoC, AI Engine, CPM, and PS-PL AXI slave interfaces).
- SMID values for PL IP are programmed by the PMC CFU using PL configuration frames.
- Non-PS sources routed to the NoC are assigned SMIDs by the PLM via the NPI programming interface.
- Non-PS source NoC (including the PL to PS AXI master interfaces) are assigned SMIDs by CFU using CFrames.
- A device can have dynamic context. In this case, the device is assigned a set of SMID values, and the appropriate device driver software has access permission to change the SMID within the allocated SMID set, but does not have access permission to change the SMID outside of the assigned set.
- SMID values are tied to permissions and security.
- SMID values are ECC protected as they traverse the interconnect.

Comparison to Previous Generation Xilinx Devices

In the Zynq® UltraScale+™ MPSoC, the ID was either a fixed 10-bit value per master such as USB, SD, etc., or a combination of a fixed value and a subset of the AXI ID.

In the Versal device, a new type of unique device ID is defined, known as system management ID (SMID). The SMID replaces the Zynq UltraScale+ MPSoC ID. This provides several advantages:

- Flexibility
- Scalability
- ID assignment is not tied to the choice of PS input port
- ID is unique regardless of the path it takes via hard/soft interconnect or NoC
- ID is unique regardless of the physical location of the soft IP attachment to the NoC (i.e., support for relocatable partial reconfiguration)
- ID is preserved in cases of PL device virtualization/coherency (PL to NoC to PS to NoC to DDRMC)

Global SMID Assignments

At the top-level, the SMIDs are divided into groups as shown in the following table.

Table 97: Global SMID Assignments

Transaction Source	SMID Bits							Range
	[9]	[8]	[7]	[6]	[5]	[4]	[3:0]	
FPD CCI (fixed)								
FPD CCI Snoop filter eviction	0	0	0	0	0	0	0000	000h
CPM (firmware assigned)								
CPM PCIe	0	1	x	x	x	x	xxxx	100h to 1FFh
SoC (firmware assigned)								
PL	0	0	x	x	x	x	xxxx	001h to 0EFh
AI Engine	0	0	x	x	x	x	xxxx	0F0h to 0FFh
PMC and PS (fixed)								
PMC	1	0	0	1	0	x	xxxx	200h to 24Fh See PMC and PS SMID Table
LPD	1	0	0	0	0	x	xxxx	
FPD	1	0	0	1	1	x	xxxx	

PMC and PS SMID Table

The system management IDs (SMID) are encoded in the AxUSER bits [9:0] as shown in the following table.

Table 98: PMC and PS System Management IDs

Name	SMID [9:0]	Notes and Configuration Registers
PMC Sources		

Table 98: PMC and PS System Management IDs (cont'd)

Name		SMID [9:0]	Notes and Configuration Registers
RCU		10_0100_0110	Runs RCU BootROM code
PPU		10_0100_0111	Runs PLM firmware
JTAG DAP		10_0100_0000	Debug access port controller
PMC_SysMon		10_0100_0001	System voltage and temperature monitor
SD_eMMC0 SD_eMMC1		10_0100_0010 10_0100_0011	SDIO controllers
OSPI		10_0100_0101	Octal SPI flash memory controller
PMC_DMA0 PMC_DMA1		10_0100_1000 10_0100_1011	
DPC		10_0100_1001	Debug packet controller
LPD Sources			
RPU0		10_0000_00xx	Real-time processing unit; see RPU0_SMID_CFG register
RPU1		10_0000_01xx	Real-time processing unit; see RPU1_SMID_CFG register
LPD_DMA	CH 0 CH 1 CH 2 CH 3 CH 4 CH 5 CH 6 CH 7	10_0001_000x 10_0001_001x 10_0001_010x 10_0001_011x 10_0001_100x 10_0001_101x 10_0001_110x 10_0001_111x	LPD_DMA_SMID_CFG register
USB2		10_0011_000x	USB 2.0 USB_SMID register
GEM0 GEM1		10_0011_0100 10_0011_0101	Gigabit Ethernet MAC controllers
PSM		10_0011_1000	PS manager processor
DPC_DMA		10_0011_1001	Debug packet controller DMA unit
FPD Sources			
FPD_CCI		00_0000_0000	FPD cache coherent interconnect
APU		10_0110_xxxx	Application processing unit; bits [3:0] are determined by AXI_ID, see Table 99
APU_GIC		10_0111_0010	Interrupt controller
FPU_SMMU		10_0111_0100	FPD system memory management unit
DEBUG		10_0111_0011	CoreSight

APU SMID [3:0]

APU SMID [3:0] bits are derived from the APU AXI ID, and are listed in the following table.

Table 99: APU SMID Bits [3:0]

AXI_ID[6:5]	SMID [3:0]
00	1000
01	1000
10	1000
11	0 AXI_ID[2:0]

TrustZone Security

The Arm TrustZone technology tags the security level of each transaction. The tags are propagated through the interconnect using the ARPROT[1] and AWPROT[1] AXI signals.

The protection signals are used by the protection units (XPPU and XMPU) and SMMU to restrict transaction access. The protection units work to support safety and security applications. Because TrustZone defines the security level of each AXI transaction, the system protection units can be used to allow or disallow a transaction based on its security level. Secure transactions can optionally access non-secure slaves, if allowed. Non-secure transactions cannot access secure locations.

Features

TrustZone technology provides a foundation for system-wide security and the creation of a trusted platform. The basic principle behind TrustZone technology is the isolation of all software and hardware states and resources into two worlds, trusted and not trusted.

A non-secure virtual processor can only access non-secure system resources, whereas, a secure virtual processor can see all resources. Resource access is extended to bus accesses using the NS flag, which is mapped to the AxPROT[1] attribute on the AXI interconnect.

Any part of the system can be designed to be part of the secure world including debug, peripherals, interrupts, and memory. By creating a security subsystem, assets can be protected from software attacks and common hardware attacks.

Typical example TrustZone technology use cases include firmware protection, security management, and peripheral/IO protection.

Architecture

In accordance with the recommendations of Arm's Trusted Base System Architecture specification, devices developed with TrustZone technology enable the delivery of platforms capable of supporting a full trusted execution environment (TEE) and security-aware applications and secure services, or trusted applications (TA). A TEE is an isolated environment dedicated to running security critical tasks. See [Arm Documents](#) for more information.

TrustZone technology enables the development of a separate rich operating system and trusted environments by creating additional operating modes to the normal domain, known as the secure domain. The secure domain has the same capabilities as the normal domain while operating in a separate memory space. The secure monitor acts as a virtual gatekeeper controlling migration between the domains.

The TrustZone technology forms the basis of a trusted execution environment for Arm systems. It enables a secure world (secure operating system) to be separated from a non-secure world (main operating system). TrustZone technology enables isolation between a secure and a non-secure world, which is enforced by hardware such that a non-secure world cannot access the resources in a secure world, but a secure world can access both secure and non-secure resources.

Additionally, the Versal® ACAP provides enhanced hardware isolation by means of the [Xilinx Memory Protection Unit \(XMPU\)](#), [Xilinx Peripheral Protection Unit \(XPPU\)](#), [System Memory Management Unit \(SMMU\)](#), and [Network on Chip Interconnect \(NoC\)](#) to allow customers to develop an enhanced TEE, which is more secure than using TrustZone alone.

Security Profiles

Each system master provides a security setting with each AXI transaction. The AXI transactions pass through a protection unit to help maintain system integrity for security and safety applications. Profiles types include secure, non-secure (NS), programmable, and dynamic.

- Secure slaves prevent unauthorized access by non-secure masters
 - Slave security profiles for most peripherals are implemented by the XPPU and XMPUs
 - Access to several system control register sets must always be done by a secure master
- DDR memory controllers, OCM, and XRAM can include secure and non-secure regions
 - Programmable on a per region basis (1 MB for DDRMC, 4 KB for OCM and XRAM)
 - Configurable using the respective XMPU protection units
- Several types of masters
 - Fixed type: secure or non-secure
 - Programmable: a register selects between secure and non-secure

- Dynamic: master can change security levels on a per transaction basis, e.g., PS-PL AXI interfaces
- System boot assumes secure mode until the RCU reads the boot header.
- RPU MPCore does not use TrustZone technology. The transactions from the RPU into the APU TrustZone environment can be configured as secure or non-secure; the default is to issue secure transactions

PL Security

The TrustZone environment is extended to the PL fabric.

PL TrustZone Extension

The AXI TrustZone signals are routed to the PL to extend the secure environment to the PL. The secure (encrypted) configure frame files are designed for the PL to be as secure as any other secure element in the PS-PMC.

PL to PS AXI Interfaces

The security state of the PL to PS AXI interfaces is provided by the PL and can be downgraded to non-secure using the following registers:

- LPD_SLCR_SECURE [PL_AXI_LPD_TZ](#) register
- FPD_SLCR_SECURE [PL_AXI_FPD_TZ](#) and [PL_ACELITE_FPD_TZ](#) registers

TrustZone Profile

The security profile for transaction sources and destinations are listed in the following table.

Table 100: TrustZone Profile

Entity	Destination Port	Source Port	Notes
APU			
APU MPCore/L2	~	Both	
GIC	Both	~	Global interrupt controller (GIC)
APU system counter	Secure	~	System counter uses two APB ports (secure and non-secure)
APU system counter	Non-secure	~	
SMMU and CCI			
CCI control registers	Both (internal)	~	Cache coherent interconnect (CCI) control registers can be configured to be secure or non-secure
TCU APB	Both	~	SMMU_REG
TBU AXI	Both	Both	Programmable
XPPU and XMPU			

Table 100: TrustZone Profile (cont'd)

Entity	Destination Port	Source Port	Notes
APB interface	Secure	~	
AXI interface	Both	Both	Programmable
PS DMA Unit			
DMA channel	XPPU configurable	SLCR configurable	Programmable on a per channel basis
PS-PL Interconnect Channels			
LPD_AXI_PL FPD_AXI_PL	Defined by transaction host (can be forced non-secure by PL logic)	~	Transaction originating in PS
PL_AXI_LPD PL_AXI_FPD	~	SLCR configurable: * Non-secure * Pass NS bit from PL transaction host	Transaction originating in PL
RPU			
RPU cores	~	SLCR configurable	
RPU TCMs	XPPU configurable	~	External AXI slave port
LPD Peripherals and other Destinations			
LPD_SLCR_SECURE registers	Secure	~	
PSM	Secure	Secure	
eFUSE/BPD/SYSMON	Secure	~	eFUSES, battery power domain, system monitor
CoreSight	Secure	Secure	
Debug Packet Controller	XPPU configurable	~	
IOP peripherals	XPPU configurable	~	I2C, GPIO, SPI, GEM Ethernet, SD_eMMC, CAN, USB, UART, QSPI, OSPI
		LPD_SLCR_SECURE	GEM Ethernet, SD_eMMC
LPD interfaces on APB	XPPU configurable	~	Potential secure destinations: reset-controller
TTC 0 to 3		~	
LPD_SWDT, FPD_SWDT		~	Watchdog timers
FPD Peripherals and Slaves			
Secure SLCR	Secure	~	
FP slaves APB	XPPU configurable	~	Potential secure slaves: reset-controller and PCIe
PMC Units			
eFUSE	XPPU configurable	~	
PMC SYSMON	XPPU configurable	~	
PPU processor	XPPU configurable	Secure	
JTAG controller	~	Both	Select secure/non-secure via DAP controller
QSPI	XPPU configurable	Secure	Transaction initiated by QSPI during boot
SD_eMMC	XPPU configurable	SLCR programmable	

Table 100: TrustZone Profile (cont'd)

Entity	Destination Port	Source Port	Notes
OSPI	XPPU configurable	~	
SelectMap	~	~	
PMC_DMA	XPPU configurable	Secure	
DDR Memory, OCM, and XRAM			
DDR memory controller	XMPU configurable	~	Secure/non-secure per region with 1 MB granularity
OCM	XMPU configurable	~	Secure/non-secure per region with 4 KB granularity
Accelerator RAM (XRAM)	XMPU configurable	~	An XMPU on each of the four ports

Notes:

1. Secure: peripheral or memory device is always secure, independent of the condition.
2. Non-secure: peripheral or memory device is always non-secure, independent of the condition.
3. Configurable: peripheral or memory device could be configured as secure or non-secure but only one mode is allowed at any given time. For configurable sources and destinations, the default registers setting is NS (non-secure). There is one exception: the PSM interconnect has an SLCR control and this defaults to S (Secure).
4. Both: part of the peripheral or memory device is secure while the other part is non-secure.

AxCACHE

The cacheability of a transaction is used by the CCI to determine if a cache look-up is required and if there is a hit, what to do with the read or write data.

The cache and buffer policy for a transaction is encoded in four AxCACHE signals. There are two separate sets of signals for reads and writes. The four AxCACHE signals are driven from register bits and are defined as follows when the bit is set High.

- Bufferable, bit [0]: interconnect can delay transaction before reaching its destination; most relevant to writes
- Cacheable, bit [1]: transaction is not compared to the APU L2-cache by the CCI
- Read Allocate, bit [2]: a cache miss allocates space for the read data from system memory
- Write Allocate, bit [3]: a cache miss allocates space for the write data from the initiator

The four AxCACHE [3:0] bits are combined together.

- 0000: non-cacheable and non-bufferable
- 0001: bufferable only
- 0010: cacheable but does not allocate
- 0011: cacheable and bufferable, does not allocate

- 0110: cacheable write-through, allocates on read
- 0111: cacheable write-back, allocates on read
- 1010: cacheable write-through, allocates on write
- 1011: cacheable write-back, allocates on write
- 1110: cacheable write-through, allocates on both read and write
- 1111: cacheable write-back, allocates on both read and write

Many PS peripheral transaction hosts can be programmed to route their transactions directly to DDR memory or to the APU SMMU and the CCI first. The AxCACHE attributes are valid when the transaction is routed through the SMMU and CCI.

- RPU processors
- LPD DMA controllers
- SD_eMMC, OSPI, GEM controllers

Quality of Service

Each AXI transaction includes four quality of service (QoS) signals. These signals seamlessly flow with the transaction from the source, through the AXI switches and the network on chip (NoC) interconnect, and to the destination to support three different traffic types.

- Low latency: typically CPU to DDR memory transactions
- Isochronous: real-time deadlines
- Best effort: bulk transfers and not time critical

Sources

The source of the QoS signals can be from the transaction requester or the interconnect ingress port (iPort) attached to the requester.

PL to PS Interfaces

The QoS signals for three PL to PS interface can be statically configured using the register settings or dynamically set by input signals in the PL:

- S_AXI_Lite_FPD
- S_AXI_FPD
- S_AXI_LPD

Traffic Types

Three different traffic types are defined:

- Low latency: typically CPU to DDR memory transactions
- Isochronous: real-time deadlines
- Best effort: bulk transfers and not time critical

Low Latency Transactions

For high-priority transactions, low latency is the key for meeting performance requirements. The APU and RPU MPCores can specify low latency transactions so their memory access requests are serviced in a timely manner to avoid or minimize CPU pipeline stalls.

Low latency transactions are usually associated with cache fill and replacement.

Video Isochronous Transactions

Another category of masters that can live with longer latency in typical conditions is isochronous (or video class) transactions. However, there is critical moment (maximum latency) in which data must be available without causing a system degradation. The key requirement is a guaranteed maximum latency. The example masters are video encoder, camera sensor, or display device.

Best Effort Transactions

High-throughput and best effort transactions are allowed with long latency but need high throughput to achieve architectural performance goals. These types of masters include DMAs, the CPM, and PL functional units.

Safety Features

There are two integrity checking mechanisms in the interconnect:

- Transaction integrity checking in the iPorts
- Data parity generation and checking

Transaction Integrity

See [iPort Protocol Integrity Checker](#).

Data Parity

The AXI interconnect includes parity checking on data channels. Parity is generated as the data enters the interconnect and it is checked as it exits the interconnect. See [iPort Parity Unit](#) and [ePort Parity Unit](#).

Poisoned Transaction

When a problem is detected in a transaction, its poison signal is asserted. The poison signal propagates to the destination. For example, the interconnect poisons a transaction when an access is blocked by a protection unit or a parity error is detected. In some cases, the iPort receives a transaction that is already poisoned. The interconnect can signal this with an interrupt and allow it to propagate through to the ePort and out the switch.

Transaction Routes

Transactions are mainly routed by their address. However, there are transactions from the PL, LPD, and CPM that can be routed directly to memory or to the system memory management unit (SMMU) and the cache coherent interconnect (CCI) in the FPD using register controls. The route through the SMMU uses a 48-bit virtual address that is translated to a 44-bit physical address. This translation enables a shared memory environment with other processors. This route requires the cache signals to be valid because the CCI must decide how to handle the transaction I/O coherency with the APU L2 and PL system caches. Coherency checking can be disabled by declaring the transaction as non-cacheable in AxCACHE. In this case, the transaction flows through the CCI without disturbing the caching system.

The routing and coherency options are listed in the [Routing and Coherency Controls](#) section.

Cache transaction are identified using the four AxCACHE bits. The encoding is shown in the [AxCACHE](#) section. In some cases, the host generates these four bits on a per transaction basis. In other cases, the AxCACHE bits are defined by register settings. In this situation, a register write is required to switch a host between coherent and non-coherent transactions.

Routing and Coherency Controls

The programmable transaction routing and coherency controls are summarized in the following table.

Table 101: Transaction Routing and Coherency Controls

Transaction Host	Routing Control	AxCACHE Signal Control
LPD		
RPU0 processor	LPD_INT_CSR RPU0_Route [routing]	Generated by the R5F processor
RPU1 processor	LPD_INT_CSR RPU1_Route [routing]	Generated by the R5F processor
LPD DMA ch 0:7	LPD_INT_CSR DMA_Route [routing]	Individual channel registers: PS_DMA CH_DATA_ATTR
PSM processor	PSM_INT_CSR PSM_Route [routing]	
GEM 0	LPD_IOP_SLCR GEM0_Route [routing]	LPD_IOP_SLCR GEM0_Coherent [GEM0_AXI_COH]
GEM 1	LPD_IOP_SLCR GEM1_Route [routing]	LPD_IOP_SLCR GEM1_Coherent [GEM1_AXI_COH]

Table 101: Transaction Routing and Coherency Controls (cont'd)

Transaction Host	Routing Control	AxCACHE Signal Control
USB 2.0	LPD_IOP_SLCR USB_Route [routing]	
PL		
PL_AXI_LPD	LPD_INT_CSR PL_AXI_LPD_Route [routing]	Defined by PL fabric
PMC		
PPU processor	PMC_INT_CSR PPU_Route [routing]	
PMC DMA 0	PMC_INT_CSR DMA0_Route [routing]	
PMC DMA 1	PMC_INT_CSR DMA1_Route [routing]	
JTAG DAP controller	PMC_INT_CSR DAP_Route [routing]	
PMC SYSMON	PMC_INT_CSR SysMon_Route	
PMC IOP		
SD_eMMC 0 DMA	PMC_IOP_SLCR SD0_Route [routing]	PMC_IOP_SLCR SD0_Coherent [SD0_AXI_COH]
SD_eMMC 1 DMA	PMC_IOP_SLCR SD1_Route [routing]	PMC_IOP_SLCR SD1_Coherent [SD1_AXI_COH]
QSPI DMA	PMC_IOP_SLCR QSPI_Route [routing]	PMC_IOP_SLCR QSPI_Coherent [QSPI_AXI_COH]
OSPI DMA	PMC_IOP_SLCR OSPI_Route [routing]	PMC_IOP_SLCR OSPI_Coherent [OSPI_AXI_COH]

CPM Transaction Route Use Cases

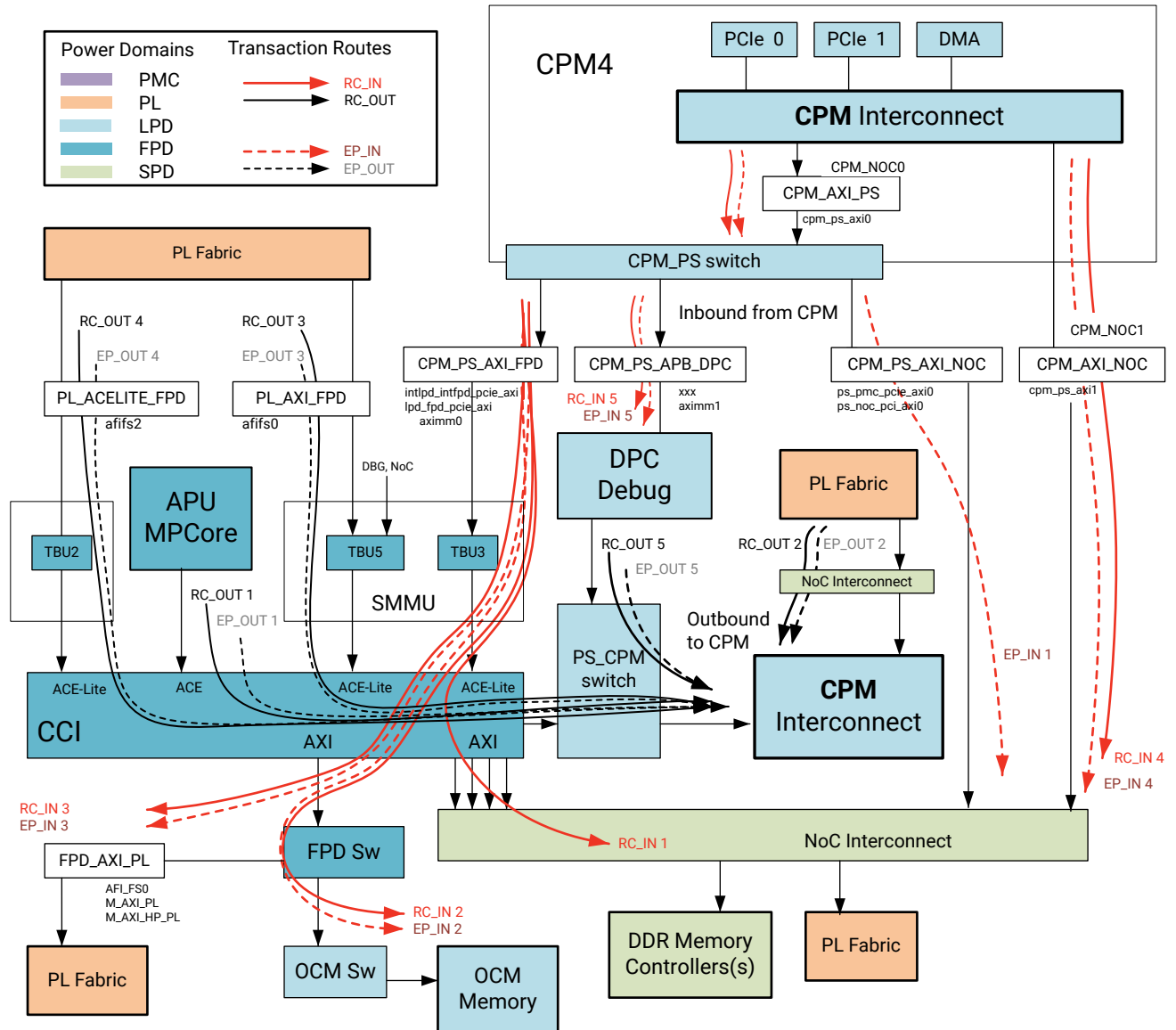
The supported transaction routes to and from the CPM are shown in the [Block Diagram](#) below.

Block Diagram

The supported interconnect datapaths between the PS/PL and the CPM are shown in the figure below. The paths are grouped as follows:

- [PCIe Root Complex Mode](#) (RC) datapaths:
 - Inbound from CPM: RC_IN x
 - Outbound to CPM: RC_OUT x
- [PCIe Endpoint Mode](#) (EP) datapaths:
 - Inbound from CPM: EP_IN x
 - Outbound to CPM: EP_OUT x

Figure 63: CPM Transaction Route Block Diagram



X25398-061321

PCIe Root Complex Mode

The transactions to and from the CPM are summarized in the following table for the PCIe® root complex mode. The direction of the transaction is reflected in the route name: source_destination. The PS designation includes everything that is not the CPM (e.g, NoC/DDR).

Note: The root names that include an asterisk (*) include restrictions or programming notes.

Table 102: Transactions in PCIe Root Complex Mode

Route Name	Source	Via	Destination	Notes
Inbound from CPM				
RC_IN 1	CPM_NOC0	CPM_PS switch, SMMU/CCI, and NoC Interconnect	DDR memory or PL	Set the CCI_CFG_1 [0] bit = 1
RC_IN 2	CPM_NOC0	CPM_PS switch, SMMU/CCI, and FPD to OCM switch	OCM memory	
RC_IN 3	CPM_NOC0	CPM_PS switch, SMMU/CCI, and and FPD switch	FPD_AXI_PL interface	
RC_IN 4	CPM_NOC1	NoC Interconnect	DDR memory or PL	Physical address
RC_IN 5	CPM_NOC0	CPM_PS switch	Debug Packet Controller	Physical address
Outbound To CPM				
RC_OUT 1	APU	CCI, and PS_CPM switch	CPM Interconnect	
RC_OUT 2	PL	NoC Interconnect	CPM Interconnect	
RC_OUT 3	PL_AXI_FPD interface	SMMU TBU 5, CCI, and PS_CPM switch	CPM Interconnect	
RC_OUT 4	PL_AXILITE_FPD	SMMU TBU 2, CCI, and PS_CPM switch	CPM Interconnect	
RC_OUT 5	Debug Packet Controller	PS_CPM switch	CPM Interconnect	

PCIe Endpoint Mode

The transactions to and from the CPM are summarized in the following table for the PCIe® endpoint mode. The direction of the transaction is reflected in the route name: source_destination. The PS designation includes everything that is not the CPM (e.g, NoC/DDR).

Note: The root names that include an asterisk (*) include restrictions and/or programming notes.

Table 103: Transactions in PCIe Endpoint Mode

Route Name	Source	Via	Destination	Notes
From CPM To PS				
EP_IN 1	CPM_NOC0	CPM_PS switch, and NoC Interconnect	DDR memory or PL	Physical address

Table 103: Transactions in PCIe Endpoint Mode (cont'd)

Route Name	Source	Via	Destination	Notes
EP_IN 2	CPM_NOC0	CPM_PS switch, SMMU TBU 3, CCI, FPD, and OCM switch	OCM memory	
EP_IN 3	CPM_NOC0	CPM_PS switch, SMMU TBU 3, CCI, and FPD switch	FPD_AXI_PL interface	
EP_IN 4	CPM_NOC1	NoC Interconnect	DDR memory or PL	Physical address
EP_IN 5	CPM_NOC0	CPM_PS switch	Debug Packet Controller	
From PS To CPM				
EP_OUT 1	APU	CCI, PS_CPM switch	CPM Interconnect	
EP_OUT 2	PL	NoC Interconnect	CPM Interconnect	
EP_OUT 3	PL_AXI_FPD interface	SMMU TBU 5, CCI, FPD switch, and PS_CPM switch	CPM Interconnect	
EP_OUT 4	PL_AXILITE_FPD	SMMU TBU 2, CCI, and PS_CPM switch	CPM Interconnect	
EP_OUT 5	Debug Packet Controller	PS_CPM switch	CPM Interconnect	

CPM and CCI Transaction Route Restrictions

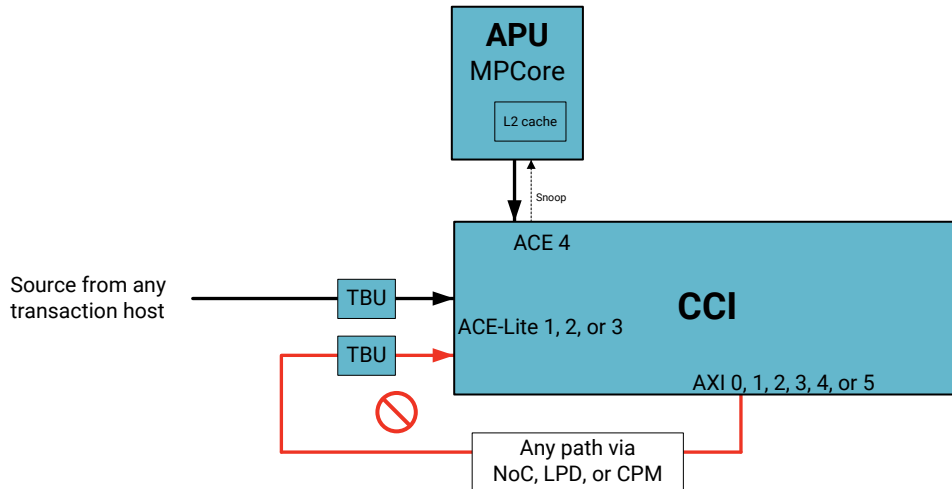
There are a few routing options to avoid because of the potential for deadlock.

- [CCI AXI Port Routing Restriction](#)
- [PCIe Root Port Mode Routing Restriction](#)
- [PCIe Endpoint Mode Routing Restriction](#)

CCI AXI Port Routing Restriction

All CCI outbound traffic must not be rerouted back to any of the SMMU TBUs. This restriction is shown in the following figure.

Figure 64: Restriction on CCI Outbound Traffic

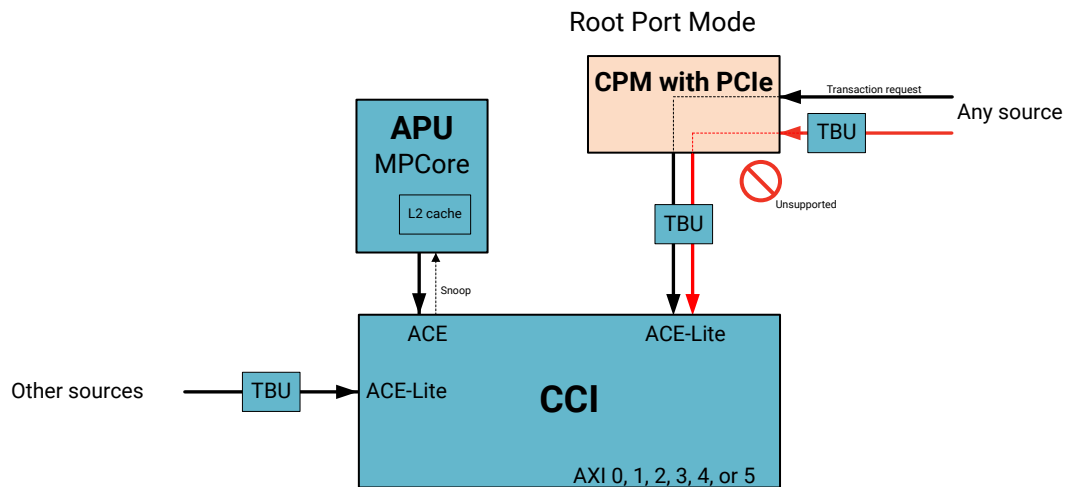


X25329-061321

PCIe Root Port Mode Routing Restriction

In root port mode, incoming PCIe traffic to the CCI ACE-Lite port goes through the SMMU TBU3. In this situation, traffic from any source (e.g., PS, PL) to the CPM must go directly to the CPM without passing through a TBU. This restriction is shown in the following figure.

Figure 65: Restriction on PCIe Root Port Mode I/O Coherent Traffic

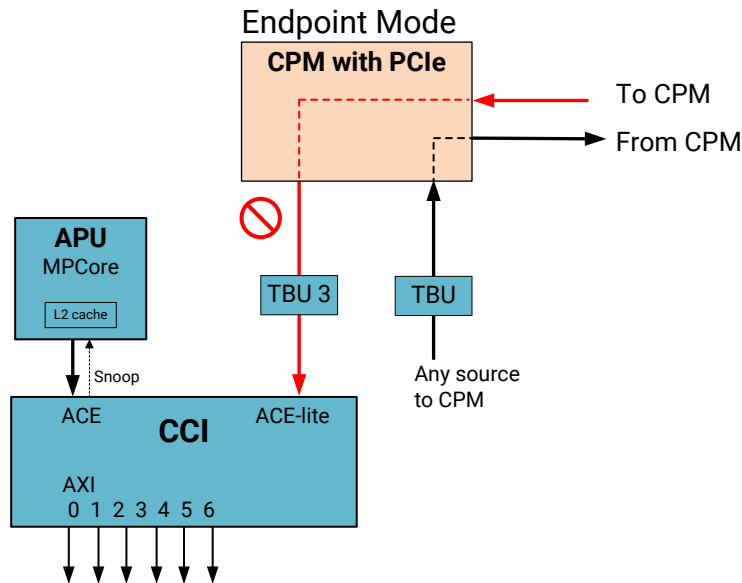


X25330-042821

PCIe Endpoint Mode Routing Restriction

In endpoint mode, a TBU can be used to map transactions from a master before going to the PCIe controller. In this case, the output from other incoming traffic to the PCIe controller must not be routed to a TBU. This restriction is shown in the following figure.

Figure 66: Restriction on PCIe Endpoint Mode Inbound Traffic Routd to TBU



X23693-052621

OSPI Direct Access by PMC DMA via CCI

As described by the direct mode feature in the OSPI [Memory Access Modes](#) section, the PMC DMA should not be used to move data from the flash device to memory via the FPD CCI.

Doing so can starve the transactions of the GEM DMA controller. This is because the path from the PMC DMA and LPD GEM controllers are both via the LPD main switch, FPD MMU TCU 0 and to the CCI ACE-lite 3 ingress port.

This situation can be seen in the [PMC-PS-CPM Interconnect Diagram](#) where the DMA traffic from PMC goes through the LPD main switch where the shared path with the GEM DMA going to the FPD CCI.

PL Interconnect Interfaces

There are several AMBA® interface channels between the PS and PL.

The PL interfaces are summarized here and are shown in several block diagrams, including in the [PMC-PS-CPM Interconnect Diagram](#) section.

- [PL to PS Interfaces](#)

- PL_ACE_FPD provides AXI coherency extension (ACE) to FPD cache coherency interconnect (CCI)
- PL_ACP_FPD provides an accelerator coherency port (ACP) to the APU MPCore L2 cache snoop control unit
- PL_ACELITE_FPD provides an I/O cache coherent port to SMMU and CCI
- PL_AXI_FPD connects to the FPD main switch
- PL_AXI_LPD connects to the LPD main switch

The LPD and FPD each have an AXI interface channel to the PL fabric. The data width on the PS side is always 128 bits. The PL interface data width can be configured as 32, 64, or 128 bits as defined in the [FPD_AXI_PL_Width](#) register.

- [PS to PL Interfaces](#) section

- FPD_AXI_PL: interface AXI port from FPD main switch to PL
- OCM_SW_AXI_PL: interface AXI port from LPD OCM switch to PL

Disabled Signal to PL Held High

When a controller or a block in the PMC or PS is disabled or powered-down, its signals to the PL fabric are held High.

PL to PS Interfaces

The memory protection and coherency features of the PL to PS interfaces are shown in the following table.

Table 104: PL to PS Interfaces

Interface Name	Alternate Name	APU L2 Cache Coherency	Description	Register Control
To FPD				
PL_ACE_FPD	S_ACE_FPD	Two-way	PL to FPD CCI	
PL_ACP_FPD	S_ACP_FPD	I/O coherency	PL to APU MPCore snoop control unit	
PL_ACELITE_FPD	S_AXI_HPC, AFIFM2	I/O coherency	PL to FPD AXI	Refer to the PL_AFI register module.
PL_AXI_FPD	AFIFM0, AFIFM	-	PL to FPD AXI	
PL_ADDR_FPD	PLAT	-	Address translation only from PL to FPD SMMU TBU 6	-
To LPD				
PL_AXI_LPD	AFIFM4	-	PL to LPD AXI	Refer to the PL_AFI register module.

ACE Interface

The APU cache-coherent interconnect (CCI) includes an AXI coherency extension (ACE) to the PL (S_ACE_FPD). This interface is an extension to the AXI protocol with two-way coherency between the APU L2-cache and a cache subsystem in the PL.

Coherency is further discussed in the [Cache Coherent Interconnect](#) chapter.

ACP Interface

The accelerator coherency port (ACP) is a 128-bit AXI interface to enable coherent transactions from the PL to snoop the APU L2 cache that includes write allocation into the APU L2 cache. The ACP does this by connecting to the snoop control unit (SCU) inside the APU MPCore.

The ACP interface is generally used for legacy applications but has other, general applications.

AXI Interface

There are two PL to PS interfaces; one to the FPD and one to the LPD. These are standard AXI4 protocol.

PS to PL Interfaces

There are two configurable PS to PL AXI interfaces. One is from the FPD to the PL (via the LPD). The other is from the LPD to the PS. The interface parameters and the PS-to-PL AXI interface attributes are listed in the following table.

The two PS to PL interfaces are mapped within the low 4 GB memory address space.

Table 105: PS-to-PL AXI Interfaces

Interface Name	Alternate Name	Address Width (Bits)	Data Width (Bits)	Base Address	Size	Notes
From FPD						
FPD_AXI_PL	M_AXI_FPD, AFIFS	44	32, 64, or 128	0x8000_0000	512 MB	
FPD_ADDR_PL	PLAT	48	None	N/A	N/A	Address translation only
From LPD						
LPD_AXI_PL	M_AXI_LPD, AFIFS	44	32, 64, or 128	0xA400_0000	192 MB	
				0xB000_0000	256 MB	

Note: The data bus width of the LPD_AXI_PL and FPD_AXI_PL interfaces are controlled by the [LPD_AXI_PL_Width](#) and [FPD_AXI_PL_Width](#) registers, respectively.

Register Reference

The following table lists the PL interface control and status registers.

Table 106: PL Interface Control and Status Registers

Interface Name	Register Module Name	Register Module Description	Address
PL to PS Interfaces (PL_AFI register module type)			
PL_AXI_FPD	PL_AXI_FPD_CSR	Control and status registers for the PL to the FPD main AXI interconnect switch (e.g., RD_CTRL)	0xFD36_0000
PL_ACELITE_FPD	PL_ACELITE_FPD_CSR	Control and status registers for the PL interface to the FPD SMMU and CCI (e.g., RD_CTRL)	0xFD38_0000
PL_AXI_LPD	PL_AXI_LPD_CSR	Control and status registers for the PL interface to the LPD AXI main switch (e.g., RD_CTRL)	0xFF9B_0000
PS to PL Interfaces (Data width in SLCR registers)			
LPD_AXI_PL	LPD_SLCR	Control the interface width: LPD_AXI_PL_Width	0xFF41_9000
FPD_AXI_PL	FPD_SLCR	Control the interface width: FPD_AXI_PL_Width	0xFD61_5000

Shared Virtual Memory

In some designs, multiple operating systems are required to run on the APU MPCore. Running multiple guest operating systems on a CPU cluster requires hardware support to virtualize the processor system into multiple virtual machines (VMs) to allow each guest operating system to run on its VM.

Operating systems are generally designed to run on native hardware. The system expects to be executing in the most privileged mode and assumes total control over the whole system. In a virtualized environment, it is the VM that runs in privileged mode, while the operating system is executing at a lower privilege level.

When booting, a typical operating system configures the processor, memories, I/O devices, and peripherals. When executing, it expects exclusive access to such devices, including changing the peripherals' configuration dynamically, directly managing the interrupt controller, replacing MMU page table entries (PTE), and initiating DMA transfers.

When running de-privileged inside a virtual machine, the guest operating system cannot execute the privileged instructions necessary to configure and drive the hardware directly. The VM must manage these functions. In addition, the VM could be hosting multiple guest operating systems. Consequently, direct modification of shared devices and memory requires cautious arbitration schemes.

The level of abstraction required to address this, and the inherent software complexity and performance overhead, are specific to the characteristics of the architecture, the hardware, and the guest operating systems. The main approaches can be broadly categorized in two groups:

- Full virtualization
- Paravirtualization

In full virtualization, the guest operating system is not aware that it is virtualized, and it does not require any modification. The VM traps and handles all privileged and sensitive instruction sequences, while user-level instructions run unmodified at native speed.

In paravirtualization, the guest operating system is modified to have direct access to the VM through hyper-calls or hypervisor calls. A special API is exposed by the VM to allow guest operating systems to execute privileged and sensitive instruction sequences.

The Arm® Cortex®-A72 exception level-2 (EL2) provides processor virtualization. The Arm® v8 supports virtualization extension to achieve full virtualization with near native guest operating system performance.

System Perspective

The system memory management unit (FPD SMMU) enables system masters to share sections of the APU memory map. The FPD CCI provides the option to interact with the APU's L2 cache.

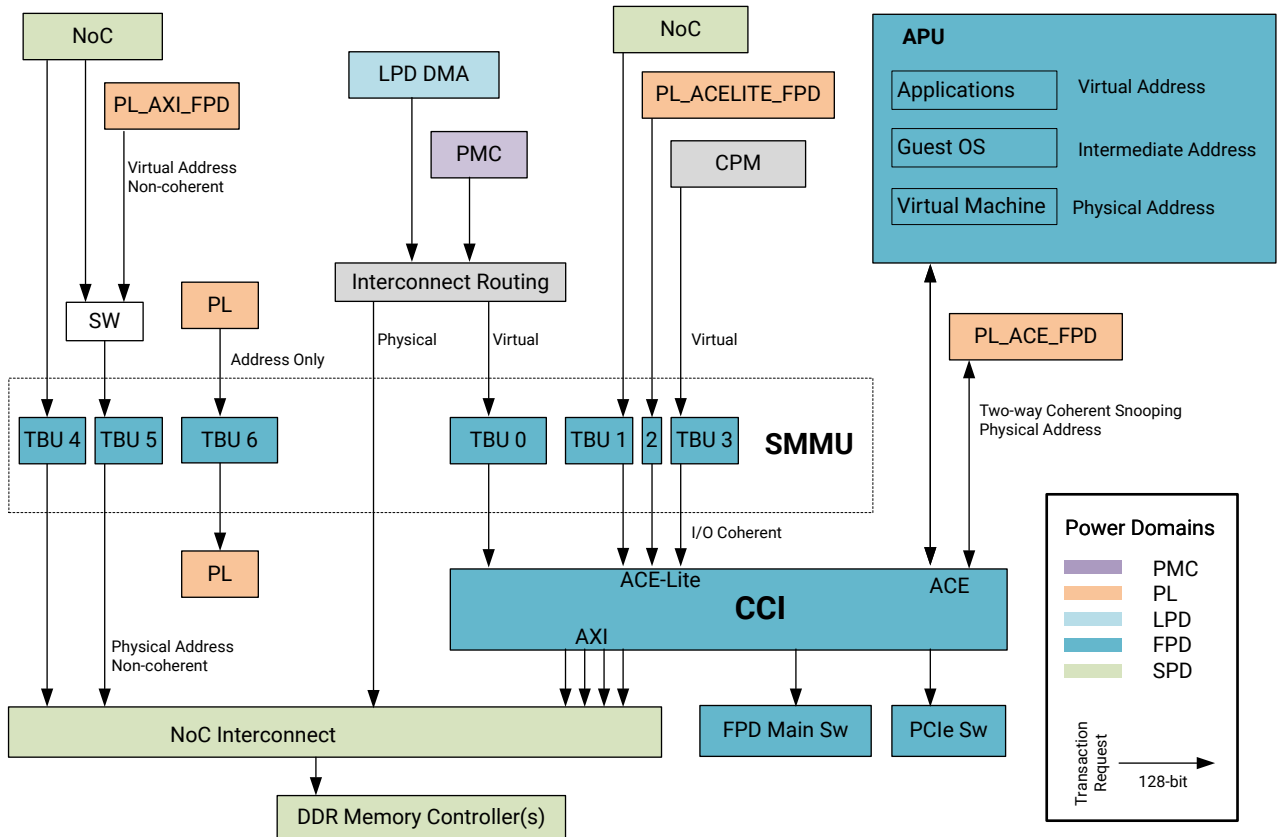
- The address from masters are interpreted by the SMMU as a virtual address that is mapped to a physical address. The physical address is used by the CCI and system memories.

The PS includes memory management units (MMUs) to support multi-OS and multi-threaded kernels.

- APU MMU includes two-stage address translation (with page table look-up memory protection)
- FPD SMMU includes two-stage address translation (with page table look-up memory protection)

The PS memory address translation is shown in the following figure.

Figure 67: PS Memory Address Translation



X21695-061321

APU Virtualization

A processor element is in hypervisor mode when it is executing at EL2 in the AArch64 state. An exception return from hypervisor mode to software running at EL1 or EL0 is performed using the ERET instruction.

EL2 provides a set of features that support virtualizing the non-secure state of an Arm v8-A implementation. See the Arm® Architecture Reference Manual Arm® v8 for more information.

The basic model of a virtualized system involves the following:

- A hypervisor software, running in EL2, is responsible for switching between virtual machines. A virtual machine is comprised of non-secure EL1 and non-secure EL0.
- A number of guest operating systems, that each run in non-secure EL1, on a virtual machine.
- For each guest operating system, there are applications that usually run in non-secure EL0, on a virtual machine.

The hypervisor assigns a virtual machine identifier (VMID) to each virtual machine. EL2 is implemented only in a non-secure state, to support guest operating system management.

EL2 provides information in the following areas:

- Provides virtual values for the contents of a small number of identification registers. A read of one of these registers by a guest operating system or the applications for a guest operating system returns the virtual value.
- Traps various operations, including memory management operations and accesses to many other registers. A trapped operation generates an exception that is taken to EL2.
- Routes interrupts to the appropriate area:
 - The current guest operating system.
 - A guest operating system that is not currently running.
 - The hypervisor.

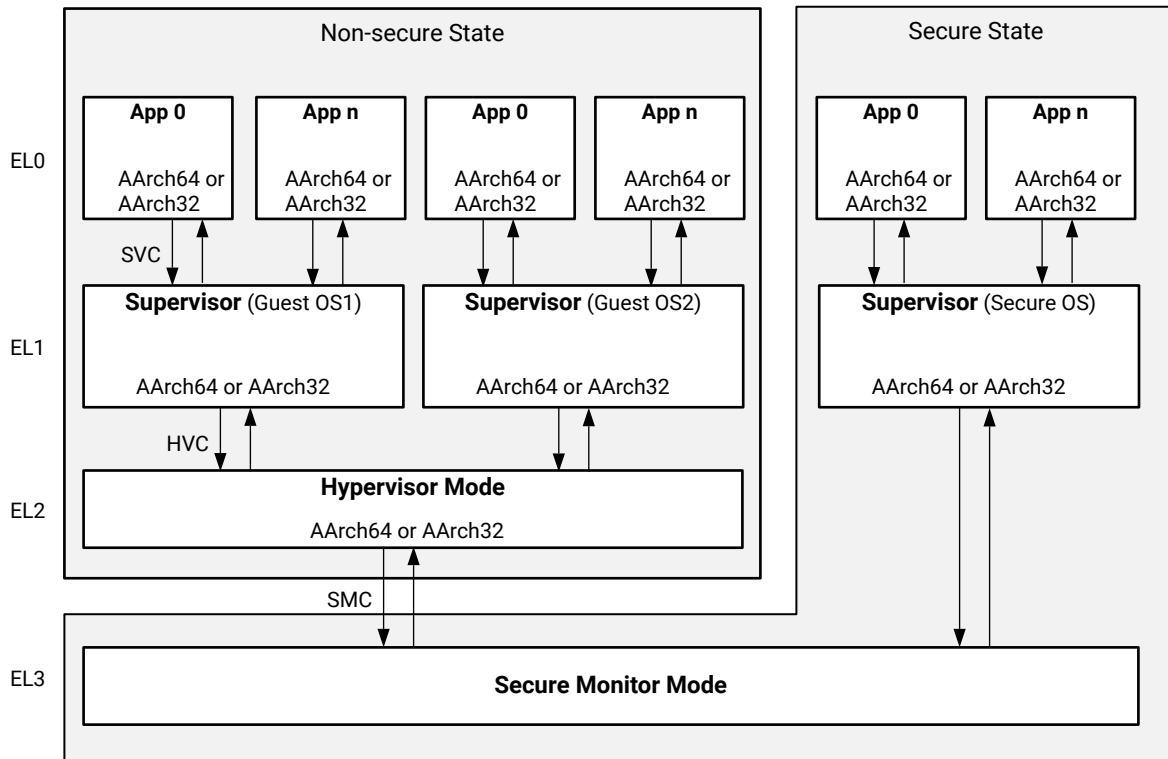
In a non-secure state, the following occurs:

- The implementation provides an independent translation regime for memory accesses from EL2.
- For the EL1 and ELO translation regime, address translation occurs in two stages.
 - Stage 1 maps the virtual address (VA) to an intermediate physical address (IPA). This is managed at EL1, usually by a guest operating system. The guest operating system believes that the IPA is the physical address (PA).
 - Stage 2 maps the IPA to the PA. This is managed at EL2. The guest operating system might be completely unaware of this stage. Hypervisor creates the stage 2 translation table.

Execution Modes

The following figure shows the Arm v8 execution modes discussed in this section.

Figure 68: Arm v8 Execution Modes

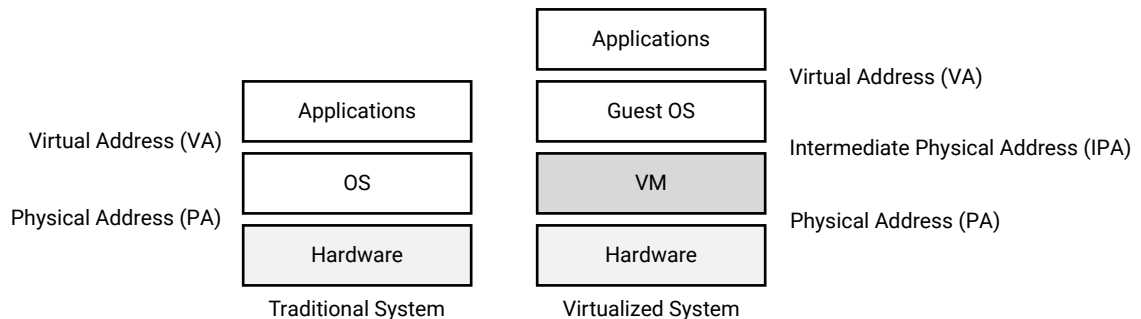


X24071-060220

Virtualized System

The hypervisor directly controls the allocation of the actual physical memory, which fulfills its role as arbiter of the shared physical resources. This requires two stages (VA→IPA, and IPA→PA) of address translation. The following figure shows the traditional versus virtualized systems addresses in the translation stage.

Figure 69: Traditional Versus Virtualized Systems Address Translation Stage



X24072-060220

Interrupt Virtualization

The APU GIC v3 interrupt virtualization is a mechanism to aid interrupt handling, with native distinction of interrupt destined to secure-monitor, hypervisors, currently active guest operating systems, or non-currently-active guest operating systems. This reduces the complexity of handling interrupts using software emulation techniques in the hypervisor.

System Memory Management Unit

The system memory management unit (SMMU) supports memory virtualization and access protection of peripherals and memory. The main functions of the SMMU include:

- Address translation unit confines memory space
- Transaction security state control
- Memory and peripheral access protection

These functions are performed with a combination of the seven translation buffer units (TBU 0 to n). These are in the path of incoming AXI interfaces outside of the FPD to the CCI. The translation and protection tables that are cached in the TBU are updated by the SMMU translation control unit (TCU).

Features

The functions of the SMMU are performed in the TBUs and include:

- Accepts 48-bit virtual address from processors and other transaction hosts
- Generates a 44-bit physical address for the CCI or DDR memory, and other memory-mapped destinations
- Page tables provide memory protection from unauthorized or errant accesses

Comparison to Previous Generation Xilinx Devices

The Arm® SMMU-500 is in both the Zynq UltraScale+ MPSoC and the Versal ACAP.

SMMU TBU Instances

There are seven SMMU TBUs supported by the SMMU TCU. These are listed in the following table with their system masters and destinations.

Table 107: SMMU TBU Instances

TBU	Ingress Source	Destination
TBU 0	LPD AXI protocol	CCI S3 ACE-lite
TBU 1	NoC NSU3	CCI S2 ACE-lite
TBU 2	Switch from S_AXI_HPC ACE_lite, or NoC NSU2	CCI S1 ACE-lite
TBU 3	CPM	CCI S0 ACE-lite, MSI
TBU 4	Noc NSU1	Switch to FPD main switch
TBU 5	NoC NSU0, S_AXI_HP, CoreSight	FPD main switch or NoC NMU
TBU 6	Noc NSU	NoC NMU

Address Translation Examples

The SMMU provides address translation for an I/O device to identify more than its actual addressing capability. In the absence of memory isolation, I/O devices can corrupt system memory. The SMMU provides device isolation to prevent DMA attacks. To offer isolation and memory protection, it restricts device access for DMA-capable I/O to a pre-assigned physical space.

Native, Non-Virtual

As an example, consider the AXI interfaces from the programmable logic to the PS that pass through the SMMU in the PS. When enabled, the SMMU also offers protection from DMA masters in the PL restricted access to the PS memory region. This is protection in the context of a symmetric multiprocessing system running an OS. The OS on an APU can isolate the DMA from interfering with other devices under the APU. In a similar way, the SMMU can also be enabled to restrict DMA units or other PS masters from accessing the PS memory region.

Virtual

The SMMU enables address translation in a virtualized system. An SMMU provides isolation among different guest operating systems by setting appropriate translation regimes and context. This isolation among guest operating systems prevents malfunction, faults, or hacks in one domain from impacting other domains. An SMMU provides system integrity in a virtualized environment.

Additionally, the SMMU supports two security states. In a system with secure and non-secure domains, SMMU resources can be shared between secure and non-secure domains. For details on two security states in the SMMU, see the Arm System Memory Management Unit Architecture Specification.

Stream IDs

The SMMU uses a 15-bit stream ID to perform address translations. This information is part of a transaction and indicates which master originated the request.

Stream ID bits [9:0] are the same as the system management ID (SMID) bits (see [APU SMID \[3:0\]](#)). Stream bits [14:10] are assigned by the TBU that the transaction passes through. There are seven TBUs:

- TBU 0 appends 000_00b
- TBU 1 appends 000_01b
- Etc.
- TBU 6 appends 001_10b

Memory Protection Functionality

When an address space is not mapped to valid address translation entry, then the transaction generates a slave error back to the master.

Cache Coherent Interconnect

The cache coherent interconnect (CCI) is a coherent interconnect that enables hardware coherency. In hardware coherent systems, an operating system can run over multiple processor clusters without complicated cache maintenance software.

The CCI provides tight memory coherency between the APU L2 cache and a PL system cache using the ACE interface protocol to support multiple heterogeneous processing environments. The CCI is part of the FPD interconnect. It is based on the Arm® CCI-500 with its snoop filter (SF) table feature.

The hardware-based I/O coherency is used by transaction hosts using the ACE-Lite interface protocol. The ACE-Lite ingress ports attach to the LPD, CPM, NoC, and PL. The address of the transaction requests are compared with previously cached memory in the APU L2 cache and a PL system cache, if it is instantiated and connected.

The CCI can issue a snoop request to the ACE interfaces and use its snoop filter table to determine if a memory location is cached. If there is a cache hit, the data is returned to the source. When the transaction is non-cacheable or the memory address of the transaction is not in a cache (miss), the CCI operates like a regular interconnect and forwards the transaction to the memory address destination.

There are two register modules dedicated to the CCI. These include the [FPD_CCI_CORE](#) register module based on the IP from Arm, the much smaller [FPD_CCI_CSR](#) register module, and three registers in the [LPD_SLCR](#) register module for controlling stripping of the output ports to the NoC interconnect. These are listed in the [CCI Register Reference](#) section.

ACE Ports

The ACE ports tie the APU and PL processing complexes together so they can have a cache coherent shared memory space.

- APU MPCore with L2-cache
- PL MicroBlaze™ with system cache

ACE-Lite Ports

The ACE-Lite ingress ports provide I/O coherency for transactions for host transactions from several sources.

- LPD-routed transactions, TBU0
- NoC transactions, TBU1
- PL and NoC transactions, TBU2
- CPM transactions, TBU3

The AxCACHE signals provide caching and buffering information. See [AxCACHE](#).

CCI Destination AXI Interfaces

There are six AXI interfaces routed to the following destinations.

- FPD switch, AXI 0
- FPD CPM switch, AXI 1
- NoC 0, AXI 2
- NoC 1, AXI 3
- NoC 2, AXI 4
- NoC 3, AXI 5

CCI Snoop Filter Table

The CCI-500 includes a snoop filter that provides an efficient way to determine if an address is cached. The snoop filter can often resolve coherency messaging without broadcasting a snoop request to both ACE interfaces.

ACP Interface to APU MPCore

A PL processor without a system cache can attach directly to the APU MPCore snoop control unit (SCU) using the ACP interface (PL_ACP_FPD). This enables the PL processor memory accesses to be coherent with the APU caches.

Note: The PL_ACP_FPD interface does not go to the CCI; it is included here as an alternative to using the CCI. The PL_ACP_FPD interface is described in the [ACP Interface](#) section.

Arm Documentation

There are three Arm documents related to the CCI-500.

- [CCI-500 Guide for ACE-Lite and ACE Interfaces](#)
- [Arm CoreLink CCI-500 Cache Coherent Interconnect Technical Reference Manual](#)
- [AMBA AXI and ACE Protocol Specification](#)

Features

- Hardware-based memory coherency between ACE hosts (APU L2-cache and PL system cache)
- I/O coherency with ACE-Lite connected hosts
- Crossbar interconnect functionality between sources and destinations
- Snoop filter (SF) with entry table to improve performance for snoop table misses
- DVM message transport between masters for communication between MMUs
- Quality of service (QoS) features for traffic management
- Data striping is supported on the four AXI interfaces to the NoC
- Performance monitoring unit (PMU) to count performance-related events
- Support for Arm TrustZone technology to provide secure, non-secure, and protected states
- Programmer registers to control coherency and interconnect functionality

The CCI supports secure and non-secure operations that can be used within a system that uses Arm TrustZone to provide secure, non-secure, and protected states. The CCI also supports cache maintenance operations and exclusive accesses.

The PMU provides events and counters that indicate CCI run-time performance. PMU registers are in the FPD_CCI_CORE register module and provide information on the status of the interconnect. These registers can be used for system debug. See the [Arm CoreLink CCI-500 Cache Coherent Interconnect Technical Reference Manual](#), section 2.4 for more information.

In addition, the CCI provides a set of QoS regulation and control mechanisms. For this and additional functionality, see the [Arm CoreLink CCI-500 Cache Coherent Interconnect Technical Reference Manual](#), section 2.4 for more information.

Comparison to Previous Generation Xilinx Devices

The FPD includes the Arm CCI-500 cache coherency interface IP. There are some notable differences to the CCI-400 in the Zynq® UltraScale+™ MPSoC.

The CCI-500 provides a snoop filter that keeps a record of the addresses stored in the attached caches. The snoop filter can often resolve coherency messaging without broadcasting the inquiry to all ACE interfaces.

The CCI-500 does not support QVN. To support low-latency (LL) and best effort (BE) quality of service (QoS) traffic simultaneously through the CCI effectively, the CCI uses a custom address decode scheme that is optionally enabled via register programming.

Cache Coherency

There are two types of coherency options. There are six ingress port (iPort) interfaces on the CCI.

- Two for [Two-way Coherency](#)
- Four for [I/O Coherency](#)

Two-way Coherency

Two-way coherency enables a host transaction to snoop another attached cache.

Reads can hit or miss in the other cache. A miss is forwarded to system memory. A hit in the other cache returns the data memory from the other cache.

Writes can hit or miss in the other cache. The action taken by the CCI can have several effects depending on the AxCACHE attribute setting. These are listed in the [AxCACHE](#) section.

The 128-bit PL_ACE_FPD two-way coherent interface allows a PL interface host to snoop the APU L2 cache and it allows the APU L2 cache and ACE Lite interfaces to snoop the PL cache. This interface from the PL to PS provides full two-way hardware coherency between the APU MPCore and a system master in the PL.

The PL_ACE_FPD interface uses the full ACE protocol. This is an extension to the AXI protocol to provide hardware cache coherency.

I/O Coherency

I/O coherency (one-way) enables system masters to snoop the APU L2 cache. If there is a read hit in the L2 cache, then the L2 cache sources the data. If there is a write hit in the L2 cache, then the action depends on the coherency policy requested by the master. I/O coherency with the CCI is supported by the PL_ACELITE_FPD interface attached to an ACE-Lite port of the CCI. The master can also access the SMMU and CCI via the NoC.

The ACE coherency protocol ensures that all masters observe the correct data value at any given address location by enforcing that only one copy exists whenever a store occurs to the location. After each store to a location, other masters can obtain a new copy of the data for their own local cache, allowing multiple copies to exist. See the Arm® AMBA® AXI and ACE protocol specification for a detailed overview.

Snoop Filter

The CCI includes a snoop filter with a local look-up table to determine if the requested memory data is in one of the attached caches. See the [Arm CoreLink CCI-500 Cache Coherent Interconnect Technical Reference Manual](#) section 2.4 for more information.

Snoop Filter Table Management

The local snoop filter look-up table is sized for the 1 MB APU L2 cache and a 256 KB PL cache. Larger PL caches are supported. When the snoop filter look-up table does not have room for a cache-tracking entry, the snoop filter controller evicts a table entry out to system memory and sets up a new entry for the cache look-up.

Snoop Filter Memory Access Reads

When the snoop filter controller needs to update the look-up table, it reads from memory using the SMID attribute from the host that is requesting the memory coherent transaction. The SMIDs for each host are listed in a table in the [System Management ID](#) section.

Snoop Filter Memory Access Writes

If the snoop table entry is already occupied, the CCI must evict the entry and write it out to system memory. In this case, the CCI always uses an SMID attribute value of 00_0000_0000.

The XMPUs that protect system memory need to be programmed to allow these write transactions from the snoop filter in the CCI.

AXI Outgoing Ports

The CCI outgoing ports and their destinations are listed in the following table.

Table 108: CCI Outgoing Ports and Their Destinations

CCI Outgoing Port	Destination				
	FPD_AXI_PL LPD_AXI_PL Interfaces	OCM and XRAM	FPD/LPD/PMC Destinations	CPM	NoC includes access to DDR, PL, AI Engine
AXI 0	Yes	Yes	Yes	~	~
AXI 1	~	~	~	Yes	~

Table 108: CCI Outgoing Ports and Their Destinations (cont'd)

CCI Outgoing Port	Destination				
	FPD_AXI_PL LPD_AXI_PL Interfaces	OCM and XRAM	FPD/LPD/PMC Destinations	CPM	NoC includes access to DDR, PL, AI Engine
AXI 2 AXI 3 AXI 4 AXI 5	~	~	~	~	Yes, with striping option

Striping NoC Interfaces

The four AXI interfaces to NoC can be individually mapped to system memory or striped to improved throughput. Striping can be across two (in pairs) or all four of the AXI interfaces to NoC.

Address Mapping

Almost all of the memory ranges for the CCI can be striped AXI are striped. The default stripe size is 4 KB. This means accesses to the striped memory regions come out on one of the four CCI outgoing ports AXI 2, AXI 3, AXI4, and AXI 5. However, the memory range between 2 TB and 4 TB is not striped. Accesses to the region from 0x200_0000_0000 to 0x3FF_FFFF_FFFF always come out on a single port. This memory range maps to the PL NoC address space. The assigned port depends on the CCI configuration defined in three LPD_SLCR registers listed in the [CCI Register Reference](#) section.

- If an incoming port is configured for 4-way interleaving, or 2-way on outgoing ports AXI 2 and AXI 3, then:
 - Traffic in the 2 TB to 3 TB memory space range is routed to CCI port AXI 2
 - Traffic in the 3 TB to 4 TB memory space range is routed to CCI port AXI 3
- If an incoming port is configured for 2-way interleaving on outgoing ports AXI 4 and AXI 5, then:
 - Traffic in the 2 TB to 3 TB memory space range is routed to CCI port AXI 4
 - Traffic in the 3 TB to 4 TB memory space range is routed to CCI port AXI 5
- The 290 GB reserved address space above the PL-via NoC region (see reserved address space) is still routed to the NOC (DDR region). It is expected that the NoC will issue a decode error for this reserved space to reduce the timing impact in the CCI address decoder.

The first configuration (1) is the default setting. All of the slave ports are configured for 4-way striping so the address range 0x200_0000_0000 to 0x2FF_FFFF_FFFF is routed to the CCI port AXI 2 while 0x300_0000_0000 to 0x3FF_FFFF_FFFF is routed to the CCI port AXI 3.

Transaction Attribute Management

Transaction attributes are affected by and modified by the CCI. The CCI responds to QoS settings.

QoS Response

The CCI-500 does not support QVN. To support low-latency (LL) and best effort (BE) quality of service (QoS) traffic simultaneously through the CCI effectively, the CCI makes use of a custom address decode scheme that is optionally enabled via register programming.

- FPD_CCI_CSR.ARQOS_OVR_SIO (0 to 5)
- FPD_CCI_CSR.AWQOS_OVR_SIO (0 to 5)
- FPD_CCI_CSR.QOS_MAX_OT_SIO (0 to 5)

CCI Register Reference

The CCI is controlled by registers in three register modules.

- [FPD_CCI_CORE](#) register module
- [FPD_CCI_CSR](#) register module
- [LPD_SLCR](#) register module:
 - [CCI_CFG_0](#) register
 - [CCI_CFG_1](#) register
 - [CCI_MAP](#) register

CCI CSR

The CCI core registers are summarized in the following table.

Table 109: CCI CSR Register Set Overview

Register Name	Access Type	Description
APB_ERR_CTRL	RW	APB transaction error signal enable
APB_MISC_ISR APB_MISC_IMR APB_MISC_IER APB_MISC_IDR	WTC R W W	APB address decode error and event counter overflow interrupts

Table 109: CCI CSR Register Set Overview (cont'd)

Register Name	Access Type	Description
CCI_MISC_CTRL	RW	CoreSight™ debug enables invasive/secure

CCI Core

The CCI core registers are summarized in the following table.

Table 110: CCI Core Register Set Overview

Register Name	Access Type	Description
ctrl_ovr	RW	Fail-safe overrides
secr_acc	RW	Non-secure transaction access enables
status	R	Snoop enables timings
impr_err	RW	Imprecise signaled errors
qos_threshold	RW	Read and write QoS thresholds for high-priority requests
pmu_ctrl	RW, R	Performance monitoring unit controls
Egress Port Control for Six Ports		
snoop_ctrl_si0 (0 to 5 egress ports)	RW, R	Snoop and DVM request issue control
share_ovr_si0 (0 to 5 egress ports)	RW	Override shareable characteristics of normal transaction
arqos_ovr_si0 (0 to 5 egress ports)	RW	Override value for reads
awqos_ovr_si0 (0 to 5 egress ports)	RW	Override value for writes
qos_max_ot_si0 (0 to 5 egress ports)	RW	Permitted outstanding transactions (OT)
Event Control for Eight Event Modules		
evnt_sel_0 (0 to 7 event modules)	RW	Event codes for events and interface
ecnt_data_0 (0 to 7 event modules)	RW	Event counter value
ecnt_ctrl_0 (0 to 7 event modules)	RW	Event counter enable
ecnt_clr_ovfl_0 (0 to 7 event modules)	RW	Event overflow flag

Memory Space Protection

The interconnect has several features that protect the system slaves from erroneous application software and misbehaving hardware interfaces. Erroneous software includes malicious and unintentional code that corrupts system memory or causes system failures. Misbehaving hardware includes incorrect device configuration, malicious functionality in the PL, or an unintentional design.

Each bus master is assigned a master ID number. Each master specifies a read/write access type and address for each transaction. In addition, the Arm TrustZone technology tags the security level of each AXI transaction. The access type, address, and security level are checked by protection mechanisms before reaching the destination to determine if the master has the authority to access the requested memory (this includes memory locations and memory-mapped registers).

Types of Protection Units

The protection units compare the credentials of the transaction with the access controls for each address location. The MMUs restrict access using page table faults.

- XMPU protection units
- XPPU protection units
- APU MPCore MMU page mapping
- FPD SMMU page mapping

The following table summarizes the types of protection units.

Table 111: Memory Protection

Access Unit	Description
APU MPCore MMU	Monitors the transactions from the APU processors.
FPD SMMU	The SMMU includes one translation control unit (TCU) and six translation buffer units (TBU). The SMMU provides protection (and address translation) for all non-APU transactions targeting the PS address space. The protection functionality is applied to the physical address that occurs after the address translations. The SMMU registers are accessible only from the APU.

Table 111: Memory Protection (cont'd)

Access Unit	Description
XMPU	The Xilinx® memory protection units (XMPU) provide address partitioning and TrustZone protection for memories; the XMPU instances are listed in the Protection Units section.
XPPU	The Xilinx® peripheral protection units (XPPU) provide address partitioning and TrustZone protection for access to peripherals. The XPPU instances are listed in the Protection Units section.

Protection Units

Memories and programming interfaces are protected by Xilinx protection units.

The memory protection units (XMPUs) have large apertures and are generally used to protect memory units. XMPUs are described in [Xilinx Memory Protection Unit](#).

The peripheral protection units (XPPUs) have small apertures and are generally used to protect programming interfaces. XPPUs are described in [Xilinx Peripheral Protection Unit](#).

Versal Protection Units

- Memory protection units:
 - PMC RAM and SBI memory interface (PMC_XMPU)
 - OCM AXI memory interface (OCM_XMPU)
 - FPD AXI programming interface (FPD_XMPU)
 - XRAM AXI memory interfaces (XRAM_XMPU[0:3])
 - DDR memory controllers (DDRMC_XMPU)
- Peripheral protection units:
 - PMC APB programming interface (PMC_XPPU)
 - PMC NPI programming interface (PMC_XPPU_NPI)
 - LPD APB/AXI programming interface (LPD_XPPU)

Secure APB Register Modules

These APB register modules always require a secure transaction:

- PMC_IOP_SLCR_SECURE
- LPD_SLCR_SECURE
- LPD_IOP_SLCR_SECURE

- SCNTR_SECURE
- FPD_SLCR_SECURE
- FPD_SMMU_SECURE
- CPMx_SLCR_SECURE

Use Case Example

In this system protection use case, the RPU runs a safety application where a certain region of the OCM might be required to be protected and dedicated for use by the RPU. Some peripherals like the UART controller and the QSPI controller might also require protection and be dedicated for use by the RPU.

- RPU generates transactions.
- OCM_XMPU protects the region of the OCM for access only by an RPU by knowing its system management ID (SMID). Other regions of the OCM can be accessed by transactions with other SMIDs.
- The LPD_XPPU and PMC_XPPU allow the RPU SMID to access the UART controller and QSPI controller, respectively.

TrustZone Security

The TrustZone technology provides a foundation for system-wide security. TrustZone technology is a software-controlled, hardware-enforced system for separating secure and non-secure AXI transactions. Masters are assigned a security profile that is either statically controlled (always secure or always non-secure), or dynamically controlled using a configuration register. Similarly, software processes are assigned a secure or non-secure state.

A non-secure application can only access non-secure system resources, whereas, a secure application can see all resources. Resource access is extended to bus accesses using the non-secure, NS flag, which is mapped to the AxPROT[1] signal in the AXI protocol. Any part of the system can be designed to be part of the secure world including debug, peripherals, interrupts, and memory. By creating a secure subsystem, assets can be protected from software and hardware attacks.

Xilinx Memory Protection Unit

The Xilinx memory protection unit (XMPU) verifies that a transaction is explicitly allowed to access a memory address. The XMPU is a region-based memory protection unit. This section describes the XMPU in detail, including configuration and functionality.

System protection is applied to incoming AXI transaction requests. The transaction is checked for:

- System management identification (SMID)
- TrustZone secure or non-secure (NS)
- Read or write access type

XMPUs appear on the slave interconnect ports:

- PMC_XMPU on IOP flash and CFU
- OCM_XMPU for the OCM memory
- FPD_XMPU on slaves
- Accelerator RAM (when present), with an XMPU on each of the four AXI ports
- DDR memory controller ports; one per controller

The XMPUs are shown in the system block diagram [PMC-PS-CPM Interconnect Diagram](#).

Use Case Example

In this system protection use case, the RPU runs a safety application where a certain region of the OCM might be required to be protected and dedicated for use by the RPU. To accomplish these requirements, the following are required:

- RPU generates secure transactions
- XMPU can protect a region of the OCM for exclusive use by the RPU and makes the rest of memory available for use by allowed others

Features

General Features

The XMPU includes these features:

- Transaction monitoring:
 - Allow request to proceed
 - Block request and respond to transaction source
- Programming interface to access control registers
- Lock register
 - Configure with TrustZone secure transactions prior to registers being locked
 - When the lock is set, writes to interrupt registers are the only ones allowed
 - Once the lock is set, the lock is only unlocked by a POR reset
- Error and status reporting
 - Failed message generated and passed to addressed slave
 - Interrupt for interconnect transaction permission violation
 - Interrupt for register access violations
- Memory partitioning and protection
 - Isolation
 - Give set of SMIDs access to address ranges

Region Features

- 16 regions defined
- Each region with start address and end address
- Define address range with 4 KB or 1 MB granularity
- Regions can overlap
 - In case of overlap, the higher region# has higher priority
- Each region can be independently enabled or disabled
- Disabled region is not used for protection checking
- Read and write permission for each region can be independently enabled or disabled
- Each region can be independently set to secure or non-secure

- If permission or secure check violations are detected, then the transaction is blocked and an error is generated

XMPU Instances

The following table lists the instances of the memory protection units.

Table 112: Versal ACAP XMPU Instances

Name	Granularity	Upstream Interface	Downstream Interface	Control Registers Base Address
PMC_XMPU	4 KB	PMC main switch	IOP, flash, CFU	0xF12F_0000
OCM_XMPU	4 KB	OCM switch	OCM memory	0xFF98_0000
FPD_XMPU	4 KB	FPD main switch	APU GIC and FPD slaves	0xFD39_0000

XRAM and DDRMC Instances

The following table lists the XRAM and DDRMC instances.

Table 113: XMPU XRAM and DDRMC Instances

Name	Granularity	Upstream Interfaces	Downstream Interfaces	Programming Interface
Accelerator RAM				
XRAM_LPD_XMPU	4 KB	OCM switch	Accelerator RAM	APB
XRAM_PL0_XMPU XRAM_PL1_XMPU XRAM_PL2_XMPU		PL fabric		
DDR Memory Controller (one per controller)				
DDRMcx_XMPU	1 MB	Four-port NoC interface	DRAM controller	NPI

System Perspective

There are several XMPUs in the system.

Memory Regions

Each XMPU has 16 regions, numbered from 0 to 15. Each region is defined by a start address and an end address. There are two region address alignment types. The 4 KB granularity is used for all XMPUs except the one in the DDRMC.

When a memory space is included in more than one XMPU region configuration, the higher region number has higher priority (that is, region 0 has lowest priority). Each region can be independently enabled or disabled. If a region is disabled, it does not include protection checking.

If none of the regions are enabled or the request does not match any of the regions, then a subtractive decode determines whether or not the request is allowed. That is, the XMPU takes the default action as specified in the XMPU control register.

Access Checking Operations

An incoming read or write request on a port is checked against each XMPU region as described in this section.



TIP: When a memory space is included in more than one XMPU region, the higher region number has higher priority (that is, region 0 has the lowest priority). This determines the set of permissions used for the checks described in this section.

For the enabled regions, two checks are done:

- The AXI_ADDR address is within the region: $START_ADDR \leq AXI_ADDR \leq END_ADDR$.
- The incoming AXI_SMID is allowed by the SMID_xx registers: $AXI_SMID \& [MASK] == [SMID] \& [MASK]$.

If these checks are true, then the region configuration is checked with regards to security and read and write permissions.

Note: Disabled regions do not grant permissions.

SMID Validation

Each XMPU uses the inbound SMID in each AXI transaction to validate the transfer. The SMID is masked by the [MASK] bit field and then compared against the [ID] bit field of the Rxx_SMID region registers (example, [R00_SMID](#)).

If the following equation is satisfied (along with security and read/write checks), the transaction is allowed. In this equation, these are [10-bit parameters] in the Rxx_SMID register

$$[ID] \& [MASK] == AXI_SMID \& [MASK]$$

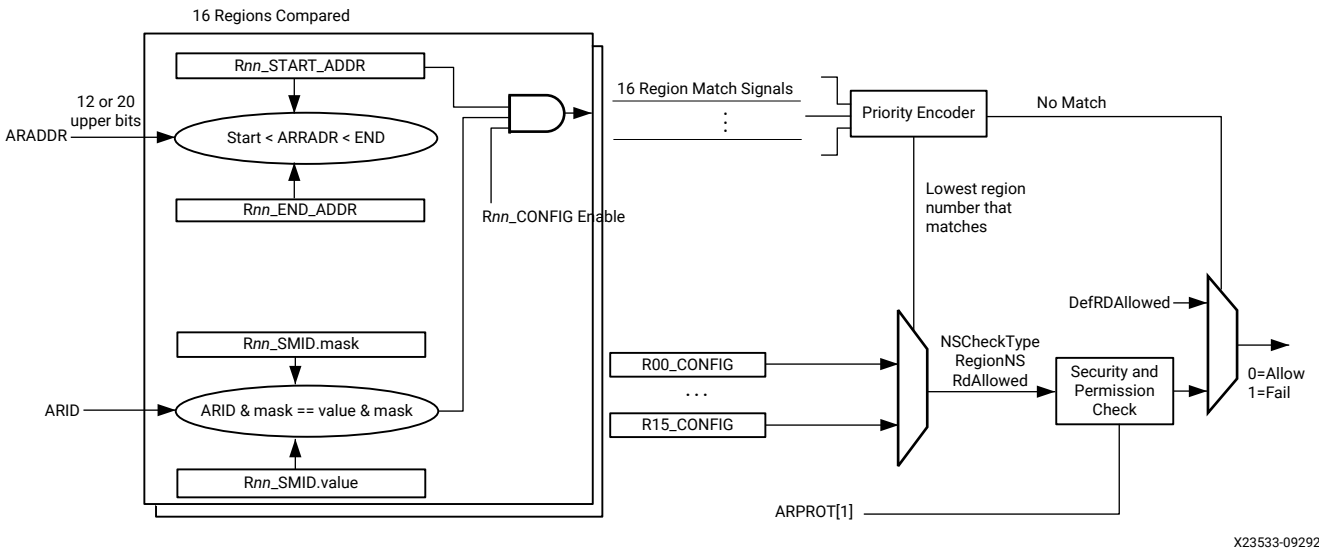
Security Validation

- If the region is configured as secure, then only the secure request can access this region.
- If the region is configured as secure, then the read and write permissions are independently checked to determine whether or not the transactions are allowed.
- If the transaction is non-secure and the region is configured as secure, then the check fails, and the transaction is handled as described in [Error Handling](#).
- If the region is configured as non-secure and the transaction is non-secure, then read and write permissions are independently checked to determine whether or not the transaction is allowed. If the check fails, the transaction is handled as described in [Error Handling](#).

Block Diagram

The XMPU functional block diagram is shown in the following figure.

Figure 70: XMPU Functional Block Diagram



Error Handling

Errors can occur from security or read/write violations. When an error occurs, the XMPU records the type of violation, the transaction address, and the SMID of the first transaction that failed. The protection unit flags the violation and can generate an interrupt. When a security violation occurs, there is an additional logging to indicate that the error was a security violation. Only one error and the first error is recorded for both read/write AXI channels.

Permission and Security Violations

When a permission or security violation is detected, the XMPU asserts the error flag in the transaction header. This header is read to determine what action to take. The XMPU also records the address, error type, and SMID number. An interrupt can be generated. Only the first occurrence of an error is recorded. For simultaneous read and write errors, only the write error is recorded.

The transaction is stored in these registers:

- [ERR_STATUS1_LO](#), [ERR_STATUS1_HI](#) (address)
- [ERR_STATUS2](#) (SMID number)

The type of violation is recorded in the [ISR](#) register:

- [SecurityVIO]
- [WrPermVIO]
- [RdPermVIO]

AXI Transaction Signals

The format of the transaction signals is shown in the following table. There are two sets of signals, one for reads and one for writes.

Table 114: Transaction Signals

Entry	Description
Offset address	Transaction address
User flags	SMID
Security flag	Protection (PROT)
Valid	Valid indicator
Hold	
Error flag	Pass/fail result
Read or write indicator	0 = write, and 1 = read
Hide	Hide control from CTRL [HideAllowed] bit output from XMPU to protection wrapper
Sideband	Interrupt

Configuration

The XMPU is configurable either one time or through a secure source. At boot time, the XMPU can be configured and its configuration is locked. If an XMPU register set is locked, the XMPU can only be reconfigured after the next power-on reset (POR). If the configuration is not locked, the XMPU can be reconfigured any number of times by trusted software (using a secure source).



RECOMMENDED: Xilinx recommends only configuring each XMPU one time. When an XMPU is programmed, all of its settings must be programmed to ensure that only the allowed transactions go through.

XMPU Register Reference

This section includes:

- [XMPU Register Set](#)
- [XMPU Write Lock](#)

XMPU Register Set

The XMPU registers are listed in the following table and described in the [XMPU](#) register module. The base address for each XMPU is included in the XMPU [XMPU Instances](#) table.

Table 115: Versal ACAP XMPU Register Overview

Register Name	Offset Address	Access Type	Register Count	Description
XMPU Control and Status				
CTRL	0x0000	RW, R	1	Default read/write and alignment configuration
ERR_STATUS1_LO ERR_STATUS1_HI ERR_STATUS2	0x0004+	R	3	SMID value (FPD_XMPU)
ISR IMR IER IDR	0x0010+	WTC R W W	4	Interrupt controls: address decode error, transaction violations
LOCK	0x0020	RWSO	1	Restricts writes, see XMPU Write Lock section
XMPU Regional Controls				
R00_START_LO R00_START_HI (00 to 15 registers)	0x0100+	RW	32	Region starting base address
R00_END_LO R00_END_HI (00 to 15 registers)	0x0104+	RW	32	Region ending base address
R00_SMID (00 to 15 registers)	0x0108+	RW	16	Region SMIDs
R00_CONFIG (00 to 15 registers)	0x010C+	RW	16	Region profile: enable, read/write allowed, secure level, relaxed checking

XMPU Write Lock

All register writes to the protection unit must be done by a secure bus transaction as defined by TrustZone.

Once the XMPU **LOCK** [RegWrDis] register bit is set, access to the XMPU registers is disabled and can no longer be written to until after a POR reset. The only exception, secure transaction can write to the interrupt status register, ISR.

Note: Regardless of the LOCK [RegWrDis] setting, the status registers are always writable by secure and non-secure transactions. All XMPU registers are only write-able by a secure transaction. The registers are readable by secure or non-secure transactions.

Xilinx Peripheral Protection Unit

The Xilinx peripheral protection unit (XPPU) protects the system addressable programming registers from erroneous application software and misbehaving hardware interfaces. Erroneous software includes malicious and unintentional code that corrupts system register settings or causes system failures. Misbehaving hardware includes incorrect device configuration, malicious functionality, or unintentional design.

There are several XPPU in the LPD and PMC for register programming:

- PMC main switch to APB programming interfaces (PMC_XPPU)
- PMC main switch to NPI control unit that accesses the NPI programming interfaces (PMC_XPPU_NPI)
- LPD main switch to APB programming interfaces (LPD_XPPU)

The XPPUs are identified in the system [PMC-PS-CPM Interconnect Diagram](#).

The XPPU looks at several transaction attributes to determine if the transaction should be allowed to proceed normally. The attributes include the 44-bit physical address, the AxPROT[1] security bit, and the system management ID (SMID) bits that are encoded in the AxUSER command signals. These attributes are used to restrict the access to memory mapped peripheral interfaces.

Features

The XPPU has several features to ensure only allowed transactions to propagate:

- Access control for a specified set of address apertures on a per-SMID basis
- Access control granularity on a per-peripheral or a per-message buffer basis
- Up to 20 simultaneous sets of one or more SMID registers
- Several sets of programmable apertures, including:
 - 256 x 64 KB for peripheral ports
 - 16 x 1 MB for peripheral ports
 - Single 512 MB for flash memory controller

- AXI transaction permission violation interrupt
- APB slave interface address decode error interrupt

The XPPU interfaces consist of the following:

- AXI interface programming port where SMID is carried on lower bits of AxUSER
- AXI interface control port
- APB programming interface (requires secure transactions to access)
- Level-sensitive, asynchronous system interrupt

Instances

The locations of the various system protection modules in the PS are shown in the [PMC-PS-CPM Interconnect Diagram](#). The following table lists the system protection units.

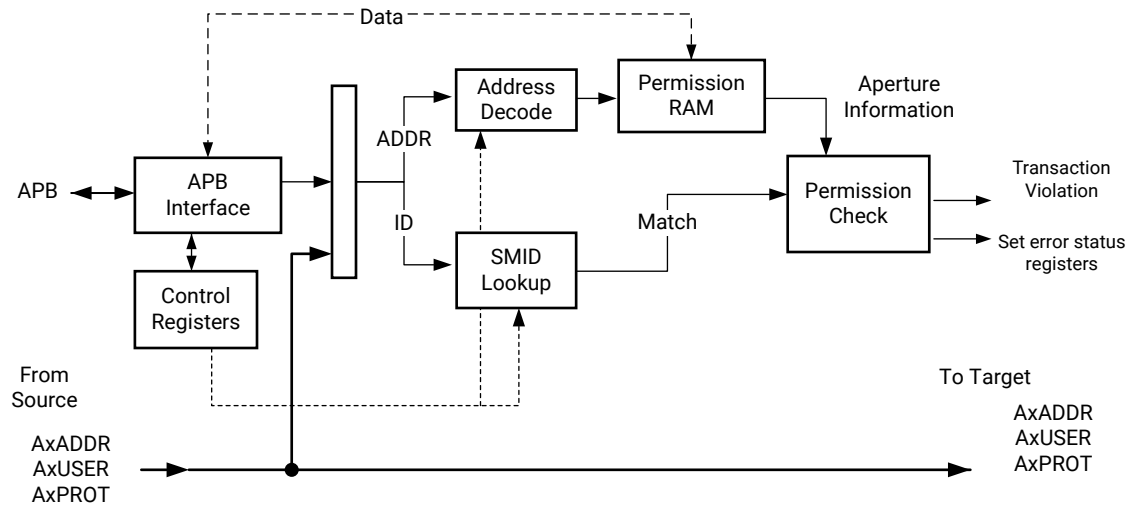
Table 116: XPPU Instances

Name	Upstream	Downstream
LPD_XPPU	LPD main interconnect switch	LPD IOP interconnect switch
PMC_XPPU	PMC main interconnect switch	PMC IOP interconnect switch
PMC_XPPU_NPI	PMC main interconnect switch	NPI programming interface controller

System Perspective

The basic protection operations and their system interfacing to the system is shown in the following figure.

Figure 71: XPPU Match and Permission Diagram

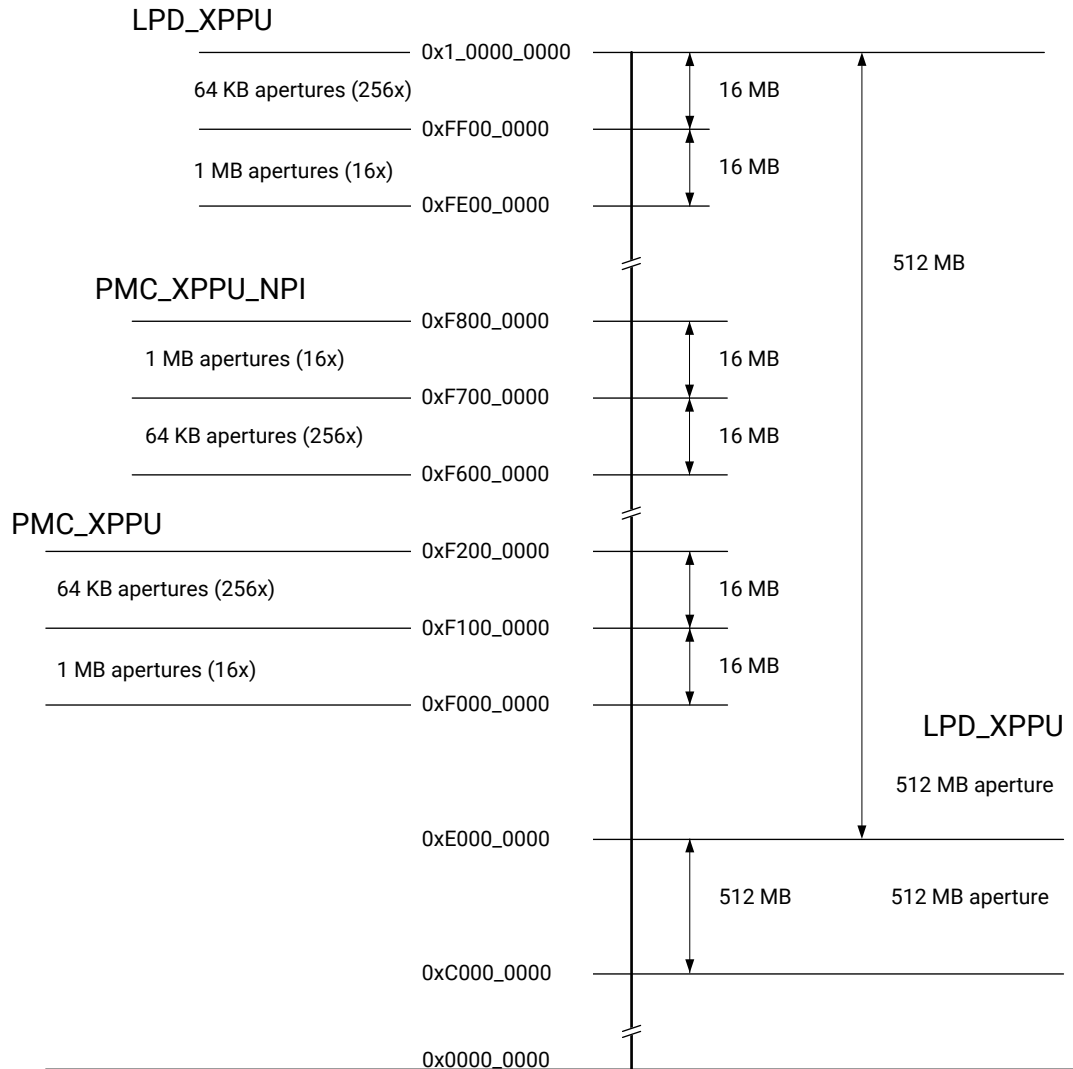


X23528-092921

Protected Addresses Illustration

The XPPU protects the address ranges shown in the following figure.

Figure 72: XPPU Aperture Memory Map



X23529-101621

Transaction Checking Operations

For every read and write transaction, the XPPU determines if the transaction is allowed to proceed with fine grain control of specific addresses. If the transaction is allowed, then it proceeds normally. If the transaction is not allowed, it asserts an error flag that is detected downstream.

An AXI transaction request is allowed to access the address space defined by an `APERPERM_xxx` register (example [APERPERM_000](#)) if these conditions are satisfied:

- The AXI transaction SMID fits one (or more) of the profiles defined in the SMID_xx registers
- The AXI address selects an aperture that enables the selected SMID_xx register and its [permission] bit field
- The transaction request satisfies the [TRUSTZONE] register bit setting

SMID Checking

SMID Register

There are twenty SMID registers in the XPPU register module. When an AXI transaction is received, the AXI_SMID is compared against all of the [SMID] bit fields in the SMID_xx registers. The [SMID_M] mask bit field can be used to ignore individual SMID bits, if desired.

When an AXI transaction SMID value matches a value in an SMID_xx [SMID] register bit field, the transaction can propagate successfully.

- $AXI_SMID \& [SMID_M] == [SMID] \& [SMID_M]$

The SMID register bit fields are shown in the following table.

Table 117: XPPU SMID Register

Bit Field	Bit Field	Description
SMID	[9:0]	SMID to match with AXI_SMID value
SMID_M	[25:16]	SMID mask for AXI_SMID and [SMID] compare
SMID_R	[30]	If set, only read transactions are allowed
SMID_P	[31]	Write even parity for all three fields; bits [30, 25:16, 9:0]

For a matched entry, if it is enabled by the corresponding bit of the [permission] field (as defined by the PERM field shown in Table 118) and if the read only SMID_nn [SMID_R] bit is set, only read transactions are allowed and write transactions are not allowed.

Parity on RAM-based SMID Registers

The SMID registers are based in RAM memory. If the parity option is enabled, the parity bits must be computed and written by the software for each SMID register.

To provide integrity, the [SMID], [SMID_M], and [SMID_R] bit fields are even parity protected and continuously read by the hardware. If the SMID parity is enabled (CTRL [MID_PARITY_EN] = 1) and a parity is detected in the RAM, the SMID parity interrupt is asserted and the SMID register is disabled.

Aperture Permission Checking

Permission checking is performed using the SMID and TZ security settings of the transaction. The SMID sets one or more of the 20 local MATCH bits that are compared against the address-selected aperture permission register, APERPERM_xxx. The XPPU also tests the AxPROT[1] and R/W signals with the APERPERM_xxx [TRUSTZONE] bit. The following equation is for read transactions.

$$\text{Transaction_OK} = (\text{MATCH} \& \text{PERMISSION} \neq 0)$$

$$\text{AND} \{ (\text{TRUSTZONE} == 1) \text{ OR } \{ (\text{AxPROT}[1] == 0) \&\& (\text{TRUSTZONE} == 0) \} \}$$

- The first term means that the incoming AXI SMID, after the mask is applied, should be listed in the SMID list, and it should also be listed as an allowed AXI SMID in the aperture permission list, APERPERM_xxx registers.
- The second term means that the incoming AXI TrustZone (on AxPROT [1]) should meet the aperture (slave) TrustZone setting.

The result from this equation is further qualified with the parity check on the selected register from the aperture permission list if the parity check is enabled.

If all of the these checks pass, the transaction is allowed.

Permission and TrustZone Registers

The aperture permission register structure enumerates the permission settings on each protected peripheral. Each APERPERM_xxx register entry contains the information listed in the following table.

Table 118: Aperture Permission Register

Field Name	Bit Field	Description
PERMISSION	19:0	SMID profile permission. Each bit correspond to the SMID_[0:19] registers. The [permission] field helps to determine if the transaction request characterized by a SMID register is permitted. 0: Not allowed 1: Allowed A 1 in bit position n (n < m) indicates that the nth entry in the SMID list has permission to access the aperture. This check is further qualified by parity and TrustZone checks.
TRUSTZONE	27	0: Only secure transactions are allowed 1: Secure or non-secure transactions are allowed
PARITY	28	Write even parity for bit [27] and bits [19:15]
	29	Write even parity for bits [14:10]
	30	Write even parity for bits [9:5]
	31	Write even parity for bits [4:0]

Parity on RAM-based Aperture Permission Registers

The aperture permission registers are based in RAM memory. If the parity option is enabled, the parity bits must be computed and written by the software for each aperture permission register.

To provide integrity, the [permission] and [trustzone] bit fields are even parity protected and continuously read by the hardware. If the aperture permission parity is enabled (CTRL [APER_PARITY_EN] = 1) and a parity is detected in the RAM, the aperture parity interrupt is asserted and the aperture permission register is disabled.

Aperture Register Map

The bit for that profile is set in the [PERMISSION] bit field. For example, if the transaction satisfies the SMID and read/write permissions of the SMID_00 register and bit 0 of the [PERMISSION] bit field = 1, then the transaction might proceed pending other checks.

The following table shows the four sets of apertures and the address protected for each aperture.

Table 119: XPPU Aperture List

Aperture Size	Address Interval	Number of Apertures	Base Address of Aperture Registers		
			PMC_XPPU	PMC_XPPU_NPI	LPD_XPPU
64 KB	0x0001_0000	256	0xF100_0000	0xF600_0000	0xFF00_0000
1 MB	0x0010_0000	16	0xF000_0000	0xF700_0000	0xFE00_0000
512 MB	0x2000_0000	1	0xC000_0000	Does not exist	0xE000_0000

Errors

The following table lists the possible errors that can be encountered by the protection unit and how they are handled.

Table 120: Error Handling in XPPU

Error ¹	Actions
SMID list parity error	The SMID_nn register associated with the parity error is disabled and cannot enable a match, that is, MATCH [nn] is forced to 0. The SMID_PARITY bit of the ISR register is set and an interrupt can optionally be signaled.
SMID list read only error	A SMID read-only error occurs when any of the matched SMID_nn register enabled by the [permission] field of the selected aperture, its [SMID_R] bit is set, and the transaction is a write. When multiple SMIDs are both matched and enabled and one or more have [SMID_R] bits set, a SMID read-only error is still flagged and the [SMID_RO] bit of the ISR register is set.
SMID list miss error	When an aperture is activated, but all the [permission] bits are 0, an miss error occurs. The [SMID_MISS] bit of the ISR register is set.

Table 120: Error Handling in XPPU (cont'd)

Error ¹	Actions
Aperture permission list parity error	The transaction is disallowed and [APER_PARITY] bit of the <i>ISR</i> register is set. An interrupt can optionally be signaled.
Transaction TrustZone error ²	When a non-secure transaction attempts to access a secure slave, a transaction TrustZone error occurs. This error is flagged only when there is no miss error and no aperture parity error. The transaction fails and an interrupt can optionally be signaled.
Transaction permission error ²	When a transaction is not allowed, a transaction permission error occurs. An access to an address that is not covered by the XPPU causes this type of error. This error is flagged only when there is no SMID_MISS error and no aperture parity error. This error is not flagged when there is a SMID_MISS error or an aperture parity error. The transaction fails. An interrupt can optionally be signaled.

Notes:

1. Access to an address not covered by the aperture permission registers goes through the XPPU intact.
2. The first transaction address, SMID, and read/write mode are captured for debugging. When there are simultaneous read/write errors, only the write error is recorded. Only the first error is recorded. To record further errors, the *ISR* (interrupt status register) must be cleared first.

XPPU Register Reference

This section includes:

- [XPPU Register Set](#)
- [XPPU Write Lockdown](#)

XPPU Register Set

The XPPU registers are listed in the following table. The base address for each XPPU is included in the XPPU [Instances](#) table.

Table 121: XPPU Register Summary

Register Name	Offset Address	Access Type	Register Count	Description
Control and Status				
CTRL	0x0000	RW	1	Default read/write and alignment configuration
ERR_STATUS1 ERR_STATUS2	0x0008, 0x000C	R	2	Address and SMID of violation transaction

Table 121: XPPU Register Summary (cont'd)

Register Name	Offset Address	Access Type	Register Count	Description
ISR, IMR IEN, IDS ITR	0x0010 0x0014 0x0018 0x001C 0x000C	WTC R W W R	5	Interrupt controls: address decode error, transaction violations. Status Mask Enable Disable Trigger
LOCK	0x0020	RWSO	1	Write a 1 to lock register writes. To unlock, a POR reset is required, a subsequent write of 0 is ignored.
Aperture Address Size				
APERTURE_64KB APERTURE_1MB APERTURE_512MB	0x0044 0x0048 0x004C	R	3	
Number of SMID registers				
SMID_REG_COUNT	0x0040	R	1	Software can define 20 incoming AXI transaction profiles. Read-only.
Base Addresses				
BASE_64KB BASE_1MB BASE_512MB	0x0054 0x0058 0x005C	R	3	The address of these apertures are different for the LPD, PMC and PMC_NPI units. The addresses are defined in the register manual.
System Management ID				
SMID_nn (20 registers)	0x0100 to 0x014C	RW	20	Each register defines a set of acceptable SMID values via masks and a read/write settings
Aperture Registers				
APERPERM 000 to 255	0x1000 to 0x13FC	RW	256	64 KB page
Reserved	0x1400 to 0x15FC	-	-	-
APERPERM 384 to 399	0x1600 to 0x163C	RW	16	1 MB page
APERPERM 400	0x1640	RW	1	512 MB page dedicated to the OSPI memory linear addressable space

XPPU Write Lockdown

The protection unit is configurable either one time or through multiple accesses. After a boot, the unit can be configured and then its configuration can be locked so that the protection unit can only be reconfigured after an internal or external POR reset. If the registers are not locked, the XPPU can be reconfigured any number of times by secure accesses to support dynamic reconfiguration.

Once the XPPU **LOCK** [RegWrDis] register bit is set, access to the XPPU registers is disabled and can no longer be written to until after a POR reset. The only exception, secure transaction can write to the interrupt status register, ISR.

The registers are always readable by secure or non-secure transactions.

Interrupts and Errors

This section includes these chapters:

- [System Interrupts](#)
- [Inter-Processor Interrupts](#)
- [System Errors](#)

System Interrupts

The system interrupt sources provide flexibility for platform control, targeted actions and signaling events.

Most system blocks generate an interrupt to signal the completion of a task or to alert that an event occurred. For example, when a direct memory access (DMA) unit completes its transfer or an advanced peripheral bus (APB) programming interface detects an address decode error, a system interrupt can be generated.

In many cases, multiple interrupts are generated within a controller. The enabled interrupts are OR'd together to create a single system interrupt.

There are over 150 system interrupts. The system interrupts are routed to the PMC, PSM, RPU_GIC, APU_GIC, and PL.

Some common system interrupts include:

- I/O peripheral control interrupts
- Inter-processor interrupts (IPI)
- Timer interrupts
- Correctable and uncorrectable errors
- APB programming interface address decode errors

System Interrupt Controllers

There are several system interrupt controllers:

- RPU: GIC-390, v2 architecture
- APU: GIC-500, v3 architecture
- PMC: MicroBlaze™
- PSM: MicroBlaze
- PL fabric: controller instantiated for MicroBlaze or other PL-based processor

Interrupt Source Accumulators

The subsystem generates an interrupt when something occurs that software should know about. There are usually multiple reasons why an interrupt is generated. The local interrupt sources are controlled by a local interrupt accumulator. The OR'd result becomes a system interrupt.

IRQ System Interrupts

The system interrupts are generated by various subsystem units and are routed to the system interrupt controllers. The system interrupts are listed in the following table.

Table 122: IRQ System Interrupts

IRQ Name	IRQ Number (RPU, APU GIC)	GICPx_IRQ Bit (GIC Proxy)	Description
IRQ Status Register 0			
reserved	32:39	GICP0 [0:7]	reserved
RPU0_PERF_MON	40	GICP0 [8]	Performance monitor
RPU1_PERF_MON	41	GICP0 [9]	
OCM	42	GICP0 [10]	OCM error
RPU0_ERR	43	GICP0 [11]	Combined errors: FPU, memory ECC, and AXI slave access
RPU1_ERR	44	GICP0 [12]	
LPD_GPIO	45	GICP0 [13]	LPD GPIO controller
LPD_I2C0	46	GICP0 [14]	LPD I2C 0 controller
LPD_I2C1	47	GICP0 [15]	LPD I2C 1 controller
SPI0	48	GICP0 [16]	SPI 0 controller
SPI1	49	GICP0 [17]	SPI 1 controller
UART0	50	GICP0 [18]	UART 0 controller
UART1	51	GICP0 [19]	UART 1 controller
CANFD0	52	GICP0 [20]	CANFD 0 controller
CANFD1	53	GICP0 [21]	CANFD 1 controller
USB_Transfer	54:57	GICP0 [22:25]	USB 2.0 controller bulk transfer, isochronous transfer, controller interrupt, control transfer
USB_Controller	58	GICP0 [26]	USB 2.0 controller
PMC_BUF_IPI	59	GICP0 [27]	OR of all IPIs targeted to PMC with message buffer
PMC_NOBUF_IPI	60	GICP0 [28]	OR of all IPIs targeted to PMC without message buffer
PSM_IPI	61	GICP0 [29]	OR of all IPIs targeted to PSM
IPI0	62	GICP0 [30]	IPI 0 interrupt
IPI1	63	GICP0 [31]	IPI 1 interrupt
IRQ Status Register 1			
IPI2	64	GICP1 [0]	IPI 2 interrupt

Table 122: IRQ System Interrupts (cont'd)

IRQ Name	IRQ Number (RPU, APU GIC)	GICPx_IRQ Bit (GIC Proxy)	Description
IPI3	65	GICP1 [1]	IPI 3 interrupt
IPI4	66	GICP1 [2]	IPI 4 interrupt
IPI5	67	GICP1 [3]	IPI 5 interrupt
IPI6	68	GICP1 [4]	IPI 6 interrupt
TTC0_Timer[0:2]	69:71	GICP1 [5:7]	TTC controller 0, timer/counter 0 to 2
TTC1_Timer[0:2]	72:74	GICP1 [8:10]	TTC controller 1, timer/counter 0 to 2
TTC2_Timer[0:2]	75:77	GICP1 [11:13]	TTC controller 2, timer/counter 0 to 2
TTC3_Timer[0:2]	78:80	GICP1 [14:16]	TTC controller 3, timer/counter 0 to 2
LPD_SWDT_INT	81	GICP1 [17]	SWDT in LPD
PSM	82	GICP1 [18]	PSM interrupt
LPD_XPPU	83	GICP1 [19]	XPPU in LPD
LPD_INT	84	GICP1 [20]	OR of peripherals on the LPD interconnect
PMC_SysMon	85	GICP1 [21]	PMC system monitor
reserved	86:87	GICP1 [22:23]	reserved
GEM0	88	GICP1 [24]	GEM controller 0
GEM0_Wakeup	89	GICP1 [25]	GEM controller 0 wake-up
GEM1	90	GICP1 [26]	GEM controller 1
GEM1_Wakeup	91	GICP1 [27]	GEM controller 1 wake-up
LPD_DMA[0:3]	92:95	GICP1 [28:31]	LPD DMA channels 0 to 3
IRQ Status Register 2			
LPD_DMA[4:7]	96:99	GICP2 [0:3]	LPD DMA channels 4 to 7
LPD_XMPU	100	GICP2 [4]	XMPU in LPD
LPD_SWDT_INT_PEND	101	GICP2 [5]	SWDT in LPD reset pending
LPD_SWDT_INT_WS[0:1]	102:103	GICP2 [6:7]	SWDT in LPD WS 0 and 1
CPM	104	GICP2 [8]	OR of CPM interrupts and events
CPM_CE	105	GICP2 [9]	CPM interrupt 1, correctable error
USB_PME	106	GICP2 [10]	USB power management event (PME) from the USB power management unit (PMU)
CPM_UE	107	GICP2 [11]	CPM interrupt 2, uncorrectable error
reserved	108:109	GICP2 [12:13]	reserved
XRAM	110	GICP2 [14]	Accelerator RAM controller
XRAM_CE	111	GICP2 [15]	Accelerator RAM correctable error
XRAM_UE	112	GICP2 [16]	Accelerator RAM uncorrectable error
reserved	113:115	GICP2 [17:19]	reserved
PL_PS_Group0_[0:7]	116:123	GICP2 [20:27]	PL_IRQ[0:7] to LPD
PL_PS_Group1_[0:3]	124:127	GICP2 [28:31]	PL_IRQ[8:11] to FPD
IRQ Status Register 3			
PL_PS_Group1_[4:7]	128:131	GICP3 [0:3]	PL_IRQ[12:15] to FPD

Table 122: IRQ System Interrupts (cont'd)

IRQ Name	IRQ Number (RPU, APU GIC)	GICPx_IRQ Bit (GIC Proxy)	Description
FPD_SWDT_INT	132	GICP3 [4]	SWDT in FPD
reserved	133	GICP3 [5]	reserved
FPD_XMPU	134	GICP3 [6]	XMPU in FPD
APU_L2	135	GICP3 [7]	APU L2-cache double bit ECC error
EXT_ERR	136	GICP3 [8]	External error
APU processor	137	GICP3 [9]	APU interrupts
CCI	138	GICP3 [10]	FPD cache coherent interconnect (CCI)
FPD_SMMU	139	GICP3 [11]	FPD system memory management unit (SMMU)
FPD_SWDT_INT_WS0	140	GICP3 [12]	SWDT controller in FPD, WS0
FPD_SWDT_INT_RST_PENDING	141	GICP3 [13]	FPD_SWDT reset pending
FPD_SWDT_INT_WS1	142	GICP3 [14]	SWDT controller in FPD, WS1
reserved	143:151	GICP3 [15:23]	reserved
CFU	152	GICP3 [24]	Configuration frames unit
reserved	153	GICP3 [25]	reserved
PMC_GPIO	154	GICP3 [26]	PMC GPIO controller
PMC_I2C	155	GICP3 [27]	PMC I2C controller
OSPI	156	GICP3 [28]	OSPI controller
QSPI	157	GICP3 [29]	QSPI controller
SD/eMMC0	158	GICP3 [30]	SD/eMMC controller 0
SD/eMMC0_Wakeup	159	GICP3 [31]	SD controller 0 wake-up
IRQ Status Register 4			
SD/eMMC1	160	GICP4[0]	SD/eMMC controller 1
SD/eMMC1_Wakeup	161	GICP4[1]	SD controller 1 wake-up
reserved	162	GICP4[2]	reserved
PMC_DMA0	163	GICP4[3]	PMC DMA 0
PMC_DMA1	164	GICP4[4]	PMC DMA 1
PMC_AXI	165	GICP4[5]	OR of the peripherals on PMC interconnect
PMC_XPPU	166	GICP4[6]	PMC XPPU
PMC_XMPU	167	GICP4[7]	PMC XMPU
SBI	168	GICP4[8]	SMAP bus interface
AES	169	GICP4[9]	AES
RSA	170	GICP4[10]	ECDSA RSA
EFUSE	171	GICP4[11]	eFUSE
SHA	172	GICP4[12]	SHA
TRNG	173	GICP4[13]	True random number generator
RTC_Alarm	174	GICP4[14]	RTC alarm
RTC_Seconds	175	GICP4[15]	RTC seconds

Table 122: IRQ System Interrupts (cont'd)

IRQ Name	IRQ Number (RPU, APU GIC)	GICPx_IRQ Bit (GIC Proxy)	Description
SYSMON	176	GICP4[16]	Voltage and temperature system monitor
reserved	177	GICP4[17]	reserved
NPI_IRQ0	178	GICP4[18]	NPI interrupt 0, DDRMC_MB all correctable software errors and interrupts
NPI_IRQ2	179	GICP4[19]	NPI interrupt 2, DDRMC_MC all correctable errors
NPI_IRQ5	180	GICP4[20]	NPI interrupt 5, AI Engine all correctable errors and miscellaneous events
NPI_IRQ6	181	GICP4[21]	NPI interrupt 6, AI Engine debug events and miscellaneous events
NPI_IRQ7	182	GICP4[22]	NPI interrupt 7, AI Engine miscellaneous events
NPI_IRQ8	183	GICP4[23]	NPI interrupt 8, GT interrupts and requests
NPI_IRQ9	184	GICP4[24]	NPI interrupt 9, GT all correctable errors
reserved	185	GICP4[25]	reserved
NPI_IRQ20	186	GICP4[26]	NPI interrupt 20, NoC user interrupts and errors
NPI_IRQ21	187	GICP4[27]	NPI interrupt 21, NoC user interrupts and errors
NPI_IRQ22	188	GICP4[28]	NPI interrupt 22, NoC user interrupts and errors
NPI_IRQ23	189	GICP4[29]	NPI interrupt 23, NoC user interrupts and errors
PMC RAM	190	GICP4[30]	PMC RAM
reserved	191	GICP4[31]	reserved

Register Reference

There are several sets of system interrupt masking registers. There are multiple interrupt controller types receiving the system interrupts.

Interrupt Masking Registers

The system interrupts are distributed to the destinations listed in the table.

Table 123: System Interrupt Masking Registers

Destination	Controller	ISR and IMR	Programming Model
PMC	GIC proxy	PMC_GLOBAL	PPU MicroBlaze™
PSM	GIC proxy	PSM_GLOBAL	PSM MicroBlaze
RPU	Arm® GIC-390		Arm v2 architecture
APU	Arm GIC-500		Arm v3 architecture
PL	Output signal	None	~

Inter-Processor Interrupts

The inter-processor interrupts (IPI) enable one processor (source agent) to interrupt another processor (destination agent). The source agent optionally writes to a request message buffer and the destination agent optionally writes to a response message buffer. The communications process uses the IPI interrupt register structure, the system interrupt structure, and the IPI message buffers.

There are a maximum of ten agents and eight sets of message buffers; two of the agents do not have message passing buffers. Three of the agents are hardwired: PSM, PMC, and PMC_NOBUF. The other agents are assigned by their system management IDs (SMID).

In a typical situation, the source agent writes a 32-byte request message and then triggers an interrupt to the destination agent. The destination agent reads the request message and, optionally writes a response message. There are eight sets of 32-byte message/response buffers for each agent (16 total buffers per agent) for a total of 128 IPI message buffers. Each source-destination pair must establish their own message-passing communication protocols. These message buffers are access protected by the LPD_XPPU protection unit and IPI logic.

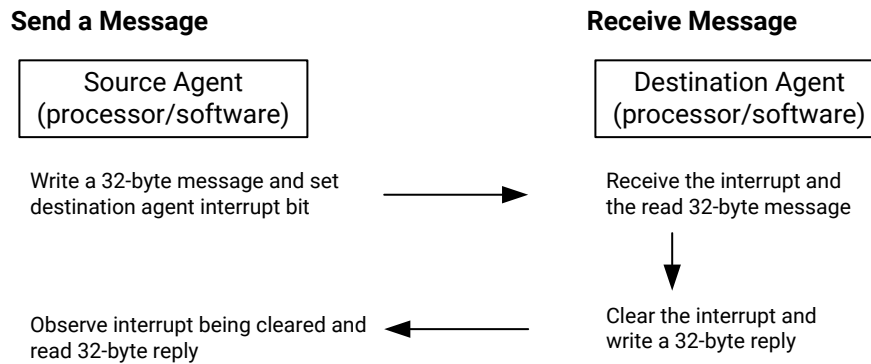
When the interrupt is serviced, the destination agent clears its status interrupt bit. This bit is observed by the source agent's observation register. This is an accumulation of the status interrupt bits from each of the destination agents. The source agent processor can have more than one active outstanding interrupt and message passing activity.

The IPI interrupt registers are access protected by the LPD_XPPU protection unit and IPI registers.

Message Passing

A processor sends a 32-byte message to another processor as shown in the following figure. The reason for the interrupt and the interpretation of the message must be prearranged in software between the source and destination agents (processors). The value of the message buffer does not affect the hardware.

Figure 73: IPI Message Passing



X26368-041422

Features

The IPI features include:

- Cross-processor communication interrupts with message passing
 - Source agent (a processor)
 - Destination agent (a processor)
- Up to 10 agents
 - Three hardwired assignments: PSM, PMC, and PMC_NoBuf
 - Seven programmable agents assigned to a system processor
- Agent assignments
 - System management ID (SMID) tags in the IPI registers are used for message buffer and interrupt register access
 - System interrupt routing
- IPI agent interrupt registers
 - Protected by 64 KB apertures in LPD_XPPU
- Message buffers are protected by hardware, and aperture controls using the SMIDs
 - 64 request message buffers, 32 bytes each
 - 64 response message buffers, 32 bytes each

Comparison to Previous Generation Devices

The inter-processor interrupt mechanism is similar to the one in the Zynq® UltraScale+™ MPSoC with several differences as shown in the following table.

Table 124: IPI Comparison to Previous Generation Devices

Feature	Zynq® UltraScale+™ MPSoC	Versal® Device
IPI register set access control	XPPU controls the read/write accesses	IPI provides protection to interrupt registers
Message buffer protection	XPPU provides protection (0xFF99_0000)	IPI provides protection (0xFF3F_0000)
System management ID (SMID) registers	Programmed in XPPU	MID 00 to 03 are hardwired profiles for the PMC and PSM processors
Sets of interrupts	Nine sets	Nine sets
Message buffer programming	Fully programmable and in software control	Read/write access hard-coded
Permission setting	XPPU has permission RAM entries for 128 32B apertures	Permissions are hard-coded in hardware
Message buffer	In XPPU unit	Within the IPI controller
Lock feature	Not present	Lock feature added

List of SMID Profiles

The SMID profiles select the agent for each inter-processor interrupt listed in the following table. The registers are listed in the [IPI register module \(Versal ACAP Register Reference \(AM012\)\)](#).

Table 125: SMID Profiles

SMID Profile	Profile Name	Note
SMID_00	PSM profile 1 (writes)	Predefined
SMID_01	PSM profile 2 (reads)	
SMID_02	PMC profile 1 (writes)	Predefined
SMID_03	PMC profile 2 (reads)	
SMID_04	IPI 0 profile 1 (writes)	Programmable
SMID_05	IPI 0 profile 2 (reads)	
SMID_06	IPI 1 profile 1 (writes)	Programmable
SMID_07	IPI 1 profile 2 (reads)	
SMID_08	IPI 2 profile 1 (writes)	Programmable
SMID_09	IPI 2 profile 2 (reads)	
SMID_10	IPI 3 profile 1 (writes)	Programmable
SMID_11	IPI 3 profile 2 (reads)	
SMID_12	IPI 4 profile 1 (writes)	Programmable
SMID_13	IPI 4 profile 2 (reads)	

Table 125: **SMID Profiles** (cont'd)

SMID Profile	Profile Name	Note
SMID_14	IPI 5 profile 1 (writes)	Programmable
SMID_15	IPI 5 profile 2 (reads)	
SMID_16	PMC profile 1 (writes)	Predefined
SMID_17	PMC profile 2 (reads)	
SMID_18	IPI 6 profile 1 (writes)	Programmable
SMID_19	IPI 6 profile 2 (reads)	

System Perspective

The PMC refers to the PLM firmware running in the PPU processor. The PSM refers to the PSM firmware running in the PSM processor.

System Management IDs

The IPI uses a processor's SMID to match it with an IPI agent. This includes three hardwired agent slots (PSM, PMC, and PMC_NOBUF) and the seven programmed slots (IPI 0 to 6). The SMID provides information to the LPD_XPPU protection unit and IPI controller.

The SMIDs are listed in the [System Management ID](#) section.

Each agent should have two SMID entries: one for write access and another for read access. Both SMIDs should be programmed to the same value and the read-only bit [SMID_R] in the second MID entry should be set. For example, SMID_00 register (fixed in hardware) is used for permission checking of the write access to the request buffer and agent registers. SMID_01 register (fixed in hardware) is for read accesses to the response buffer and agent registers.

Once the software programs the SMID registers, the hardware internally assigns buffers and register space access permissions. One example is shown in the table in the [Agent Example](#) section.

System Interrupts

In addition to using SMIDs, the processor software must be able to receive and process a system interrupt. The system interrupts for the PMC and PS are level-sensitive and are listed in [System Interrupts](#). Processors in the PL need to have SMID assigned to them that are recognized by the protection mechanisms and must have access to the PS-PL system interrupt outputs.

A processor is also a source and a destination agent to itself.

Access Protection

The IPI global area is protected by the LPD XPPU. Each agent can be configured with override capability. This means that the agent with override set can access regions of all the other agents including their message buffer and all registers.

IPI apertures are for the message buffers and registers for each agent. These are similar to the XPPU apertures except IPI protects itself.

Power Domain

The IPI is in the PS LPD power domain with system interrupt connections to the FPD, PMC, and PL.

System Errors

System errors include the following:

- APB programming interface address decode error
- Interrupt register and message buffer access violations
 - Detected in LPD_XPPU and IPI
 - SMID incorrect
 - Security level violation
 - Write violation

List of Agents

Any transaction source, as defined by the system management ID (SMID) system, can potentially be an IPI agent that can send and receive inter-processor interrupts. The SMID number assignments are listed in the [System Management ID](#) section.

Agent Communications

The communications between the two agents depends on their prearranged protocol. The IPI provides a framework for this communications.

Source Agent Initiates Action

To generate an interrupt, the source agent writes a 1 to a bit in its trigger (TRIG) register that corresponds to the destination agent. The source agent can verify that the bit is set in the destination agent's status register by reading its own observation (OBS) register. However, it cannot determine if the interrupt is enabled to generate the IRQ interrupt signal to the destination processor without accessing its GIC interrupt controller.

Destination Agent Response

When an agent receives an IPI system interrupt, it reads its IPI interrupt status register (ISR) to determine the source agent. After servicing the interrupt, with or without a message response, the destination agent clears its ISR by writing a 1 to the bit. This clearing of the destination ISR bit can be detected by the source using its observation register. The destination agent can also issue an IPI system interrupt back to the source agent.

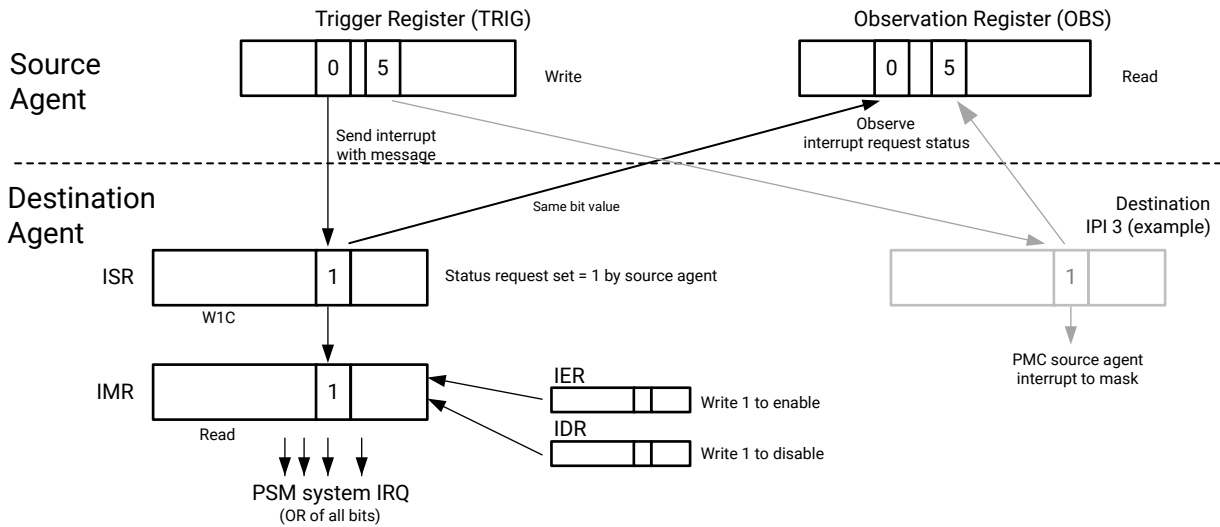
Interrupt Architecture

Interrupt Functionality

The interrupt architecture includes ten sets of registers with six registers per set. Each set is divided between sending an interrupt (TRIG and OBS) and receiving an interrupt (ISR, IMR, IER, and IDR); refer to [Agent Interrupt Registers](#). Access to each set of interrupt registers is isolated to an agent by apertures in the LPD_XPPU protection unit followed by security screening by TrustZone apertures in the IPI (e.g., the IPI.TZ_APER_PSM register).

To send an interrupt, the source agent writes a 1 to the bit in its trigger register that corresponds to the desired destination agent processor. This causes the destination status register, ISR, bit to be set and generates a corresponding system interrupt. The source agent can observe the state of the interrupts that it has triggered to the destination agents using its observation register (OBS). The registers and signal routes are shown in the following figure.

Figure 74: Source-Destination Interrupt Functions



X23897-031022

System Interrupt Registers

Software must program the system interrupt registers associated with the destination processor to enable the interrupt to propagate to the desired destination agent processor. This is one of the system interrupt controller registers (e.g., `PMC_GLOBAL.GICP0_IRQ_MASK`). All system interrupts are also routed directly to the PL. Refer to the [System Interrupts](#) chapter for the list of system interrupts. The destination agent processes interrupts in a normal manner; it can mask and clear its status register to control the system interrupt.

Observation Register

The read-only observation register, example `PMC_OBS`, allows the PMC source agent to determine if an interrupt has been cleared by the destination.

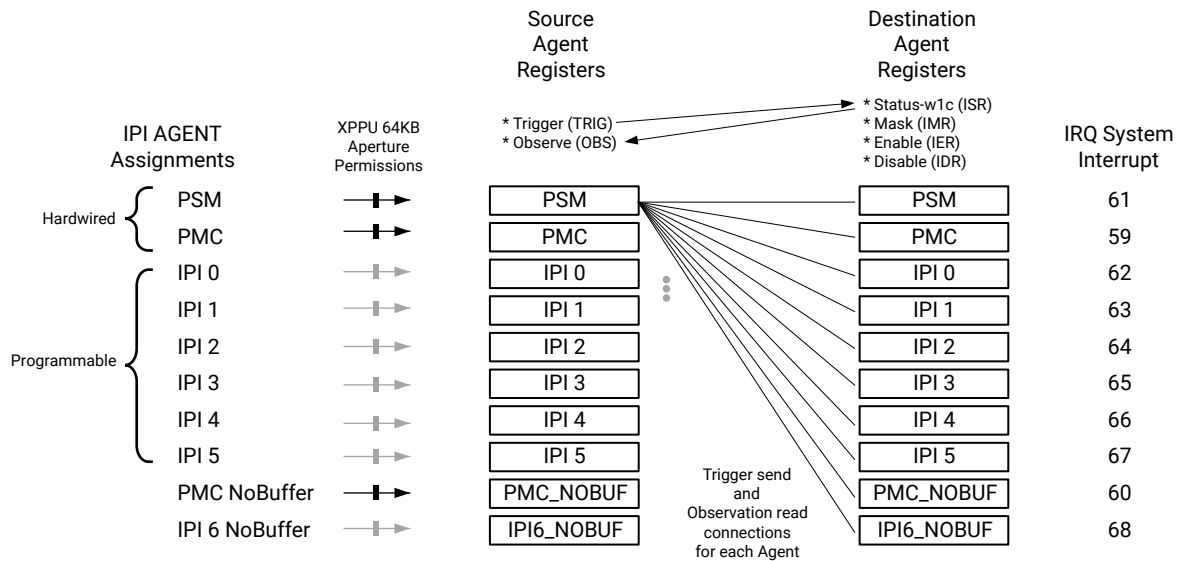
Interrupt Signal Mapping

Each interrupt channel has six registers. Two registers are for sending an interrupt and four registers are for receiving an interrupt. The trigger and observation registers are used to send and monitor interrupts. The status/clear, mask, disable, and enable registers are used to receive an interrupt. There are ten sets of interrupt registers. The hardwired and programmable channel assignments are shown in the following figure.

Note: It is the responsibility of the individual processors to mask unwanted IPI system interrupts in their GIC interrupt controller. These controllers are listed in [System Interrupts](#).

Interrupt Signal Mapping

Figure 75: Versal ACAP IPI Channels



X24078-031022

Message Passing Architecture

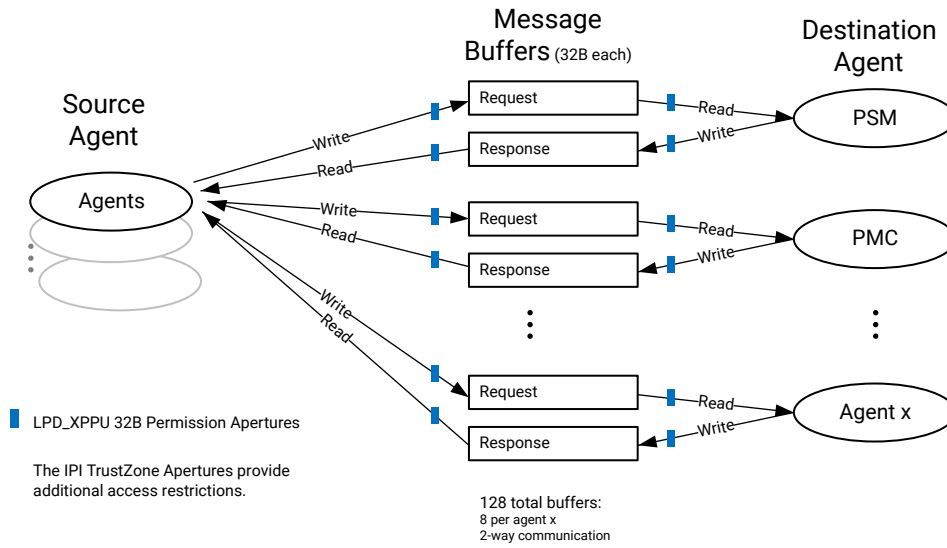
The messaging system connects eight agents together in a mesh configuration. The message passing between agents can be done exclusively between the sources and destinations by programming the 128 permission apertures in the LPD_XPPU that correspond to the 0xFF30_0000 to 0xFF30_01FF memory range.

The IPI does not control the content of the message buffers. It is up to the source and destination processor agent software to define the back-and-forth interrupt signaling and the content put into the request and response message buffers. The content of the message buffers does not affect the hardware; it is only written and interpreted by the processors. The use of the message buffers is optional.

Messaging Diagram

The following figure illustrates the IPI message passing architecture for an agent.

Figure 76: IPI Message Passing Diagram



Note: It is possible for a processor to exchange messages with itself.

X24053-031422

Agent Example

The example in this section shows the message buffer address offsets and access types for the APU assigned as the IPI_2 agent. The other IPI_x agents can be assigned as needed; this includes additional PSM or PMC agents. All buffers are 32 bytes.

Table 126: IPI Message Buffer Example - APU Assigned to IPI 2

Offset Address	Buffer Type	Source Agent		Destination Agent	
		Name	Access Type	Name	Access Type
0x0800 0x0820	Request Response	APU Example (assigned to IPI_2)	RW R	PSM	R RW
0x0840 0x0860	Request Response		RW R	PMC	R RW
0x0880 0x08A0	Request Response		RW R	IPI_0	R RW
0x08C0 0x08E0	Request Response		RW R	IPI_1	R RW
0x0900 0x0920	Request Response		RW RW	APU this example	RW RW
0x0940 0x0960	Request Response		RW R	IPI_3	R RW
0x0980 0x09A0	Request Response		RW R	IPI_4	R RW
0x09C0 0x09E0	Request Response		RW R	IPI_5	R RW

Register Reference and Address Map

The IPI address space is protected by the LPD_XPPU. Apertures 048 through 063 are used to validate software accesses to the IPI address space.

Note: This table points to the *Versal ACAP Register Reference* ([AM012](#)).

Table 127: IPI Address Map

Offset Address Range	Register Table	Protection	Notes
Control and Configuration Registers			
0x30_0000	Control Registers	LPD_XPPU and LOCK register	
Interrupt Registers: Trigger, status, observation, and mask			
0x31_0000 0x32_0000 ... 0x3A_0000	Agent Interrupt Registers		Only the first 32 bytes of address space are used
0x3C_0000	Reserved		

Table 127: IPI Address Map (cont'd)

Offset Address Range	Register Table	Protection	Notes
Message Buffers: Request and response			
0x3F_0000	Message Buffer	IPI	4 KB of address space: 128 message buffers (32 bytes each)

Control Registers

The IPI control registers are summarized in the following table. Access to the registers are controlled by the LPD_XPPU protection unit and the IPI [Register Write Lock Bit](#) (see *Versal ACAP Register Reference (AM012)*).

Table 128: IPI Control Registers

Register Name	Offset Address	Access Type	Lockable	Description
APB_ERR_CTRL	0x0000	RW	Yes	APB address decode SLVERR error signal enable
APB_MISC_ISR APB_MISC_IMR APB_MISC_IER APB_MISC_IDR	0x0010 0x001C 0x0018 0x001C	R, W1C R W W	All except ISR	Access violation and ECC error interrupt status, mask, enable and disable
LOCK	0x0090	RWSO	NA	Locks write access to all IPI registers except the ISR
SAFETY_CHK	0x0030	RW	No	Safety check registers
ERR_STATUS1_LO ERR_STATUS1_HI ERR_STATUS2	0x0028 0x0038 0x003C	R	NA	Address and ID of error transaction
SMID_00 SMID_01 SMID_02 SMID_03	0x0040+	R	NA	SMID identification for: PSM read/write PSM read-only PMC read/write PMC read-only
SMID_04 SMID_05 etc. SMID_19	0x0050+	RW	Yes	Master identification for software defined masters
IPI_ECC_CTRL	0x0094	RW	Yes	ECC control
IPI_ECC_CE_FFA IPI_ECC_CE_FFD IPI_CE_FFE	0x0098+	R	Yes	First failing address, data and ECC register access with correctable error
IPI_ECC_UE_FFA IPI_ECC_UE_FFD IPI_UE_FFE	0x00A4+	R	Yes	First failing address, data and ECC register access with un-correctable error

Table 128: IPI Control Registers (cont'd)

Register Name	Offset Address	Access Type	Lockable	Description
IPI_FL_CNTR IPI_FL_D IPI_FL_S	0x00B0+		Yes	Fault injection count, data, and syndrome
IPI_APER_TZ_000 IPI_APER_TZ_001 IPI_APER_TZ_002 IPI_APER_TZ_003 IPI_APER_TZ_004 IPI_APER_TZ_005 IPI_APER_TZ_006 IPI_APER_TZ_007 IPI_APER_TZ_008	0x00BC+	RW	Yes	Source agent message buffer TrustZone security access settings: 0: secure access required 1: non-secure
TZ_APER_INTR	0x00DC	RW	Yes	Interrupt register security access settings for all agents

Register Write Lock Bit

The IPI registers can only be configured by a TrustZone secure transaction. The secure transaction is routed through the LPD_XPPU protection unit to make sure the transaction host has access privileges before it is allowed to reach the IPI programming interface with its additional restrictions.

Writes to the IPI registers can be blocked by setting the **LOCK** [ReqWrDis] lock bit = 1. Once this bit is set, it can only be cleared by a POR.

After the lock bit is set, many of the registers can no longer be written to until a POR occurs. The lockability of the registers are shown in the [Control Registers](#) table.

Agent Interrupt Registers

The IPI interrupt registers are listed in the following table. The base address is 0x0FF30_0000. These registers have access restriction based on the processor's SMID and settings in the IPI.TZ_APER_INTR register.

The IPI processor interrupt management registers are not affected by the IPI register LOCK control register.

Table 129: IPI Processor Interrupt Management Registers

Register Name	Offset Address	Access Type	Description
PSM_TRIG PSM_OBS PSM_ISR PSM_IMR PSM_IER PSM_IDR	0x10000+	W R W1C R W W	PSM agent interrupt registers
PMC_TRIG PMC_OBS PMC_ISR PMC_IMR PMC_IER PMC_IDR	0x20000+	W R W1C R W W	PMC agent interrupt registers
IPIO_TRIG IPIO_OBS IPIO_ISR IPIO_IMR IPIO_IER IPIO_IDR	IPIO: 0x30000+ IPI1: 0x40000+ IPI2: 0x50000+ IPI3: 0x60000+ IPI4: 0x70000+ IPI5: 0x80000+ IPI6: 0xA0000+	W R W1C R W W	Programmable agents for IPI interrupts and messaging Except, IPI 6 does not include message or response buffers
PMC_NOBUF_TRIG PMC_NOBUF_OBS PMC_NOBUF_ISR PMC_NOBUF_IMR PMC_NOBUF_IER PMC_NOBUF_IDR	0x90000+	W R W1C R W W	PMC agent interrupt registers without message and response buffers

Message Buffer

The IPI message buffer address map is shown in the following table.

Note: The base address for message buffers is 0xFF3F_0000.

Table 130: IPI Message Buffer Address Map

Offset Address	Buffer Type	Size	Source Agent		Destination Agent	
			Name	Access Type	Name	Access Type
0x000 to 0x01FF	Request	32B	PSM	RW	PSM	RW
	Response	32B		RW		RW
	Request	32B		RW	PMC	R
	Response	32B		R		RW
	Request	32B		RW	IPI 0	R
	Response	32B		R		RW
	Request	32B		RW	IPI 1	R
	Response	32B		R		RW
	Request	32B		RW	IPI 2	R
	Response	32B		R		RW
	Request	32B		RW	IPI 3	R
	Response	32B		R		RW
	Request	32B		RW	IPI 4	R
	Response	32B		R		RW
	Request	32B		RW	IPI 5	R
	Response	32B		R		RW
0x0200 to 0x03FF	Requests and Responses	512B	PMC	RW, R	PSM, PMC, IPI0, IPI1, IPI2, IPI3, IPI4, IPI5	RW, R
0x0400 to 0x05FF	"	512B	IPI 0	RW, R	"	RW, R
0x0600 to 0x07FF	"	512B	IPI 1	RW, R	"	RW, R
0x0800 to 0x09FF	"	512B	IPI 2	RW, R	"	RW, R
0x0A00 to 0x0BFF	"	512B	IPI 3	RW, R	"	RW, R
0x0C00 to 0x0DFF	"	512B	IPI 4	RW, R	"	RW, R
0x0E00 to 0x0FFF	"	512B	IPI 5	RW, R	"	RW, R

Programming Examples

Two programming examples are provided in this section.

Send an IPI Communication

This section describes how a source agent sends an IPI communication message. The source agent initiates the communications.

1. Write a 32 byte request message into the appropriate destination message buffer.
2. Write a 1 in the destination trigger bit.
3. Optionally, verify that the interrupt is posted by reading the observation register.
4. Determine that the interrupt has been processed with one of the following steps. The protocol must be established between the two agents:
 - a. Source agent polls its observation register until the destination status bit is cleared indicating that the destination agent has processed the interrupt.
 - b. Receive another IPI interrupt from the destination agent.

Receive an IPI Communication

This section describes how a destination agent receives an IPI communication message. The destination agent accesses its IPI registers.

1. Prepare to receive a message request with one of the following steps.
 - a. Enable the interrupt from the sender using the IPI mask register, IMR, and in the processor's system interrupt controller by accessing its GIC registers.
 - b. Destination agent polls its IPI status register for bits being set.
2. When an interrupt is received, optionally write a 32-byte response into the appropriate message buffer.
3. Signal to the source agent that the interrupt has been processed with one of the following steps.
 - a. Clear the destination IPI status register.
 - b. Issue an IPI interrupt back to the source agent.

System Errors

There are approximately 100 system errors generated by the hardware. A system error indicates that one or more serious problems have been detected in a controller, processor, memory, or other functional unit in the device.

Each error signal is routed to either the PMC or PSM error accumulator module (EAM) and the PL fabric. The accumulators latch the system error signals. Each EAM has two status registers. The state of these status registers are only reset by a POR.

- [PMC Error Status Registers](#)
- [PSM Error Status Registers](#)
- JTAG [ERROR_STATUS Register](#), bits 0 to 63 includes errors only routed to PMC EAM
- PL fabric port signals, all system errors

The error signals routed to the PMC EAM are also latched into the JTAG TAP controller's [ERROR_STATUS](#) register.

Error Sources

Each system error can be from a single event or an OR of several events. Each block or subsystem that creates a system error stores the details of its reported error, which includes more about the source and characteristics of the error. The software and the PL can also generate system errors. There are many types of system errors, including:

- Correctable and uncorrectable ECC
- APB register programming interface address decode error
- Single event upset (SEU) detected error
- RPU lock-step and common cause failures
- Power failures
- Security violations

Error Accumulator Modules

Each system error is associated with either the PMC or PSM error accumulator module (EAM), which means that each system error is routed to only one status register bit. The PMC has two status registers that are independent of the two status registers located in the LPD. A diagram of the EAM is shown in [Error Accumulator Modules](#).

The system error status registers are sticky. They are cleared by software writing a 1 to the register bit or by a POR reset. Software programs the state of the mask registers by writing to interrupt enable and disable registers.

Events Generated by EAMs

The error accumulators can generate several major system events, each with its own set of programmable mask registers.

- Four PMC EAM outputs
 - Internal POR
 - System reset, SRST
 - ERROR_OUT pin state
 - PMC interrupt handler
- Three PSM EAM outputs
 - PSM IRQ handler (general)
 - PSM IRQ handler (correctable)
 - PSM IRQ handler (uncorrectable)

Error Signal to PL

The outputs of both the PMC and PSM error accumulator outputs are also routed to the PL fabric.

JTAG Error Status Register

The PMC error accumulator outputs are readable via the [ERROR_STATUS Register](#).

EAM Error Status Registers

All system error status registers can only be cleared by software or by a POR. A system reset does not clear the system error status registers.

Other Types of System Errors

The Versal® device includes other types of errors:

- RCU BootROM code detected errors, see [BootROM Error Code Table](#) section.
 - PLM firmware detected errors (see *Versal ACAP System Software Developers Guide (UG1304)*)
-

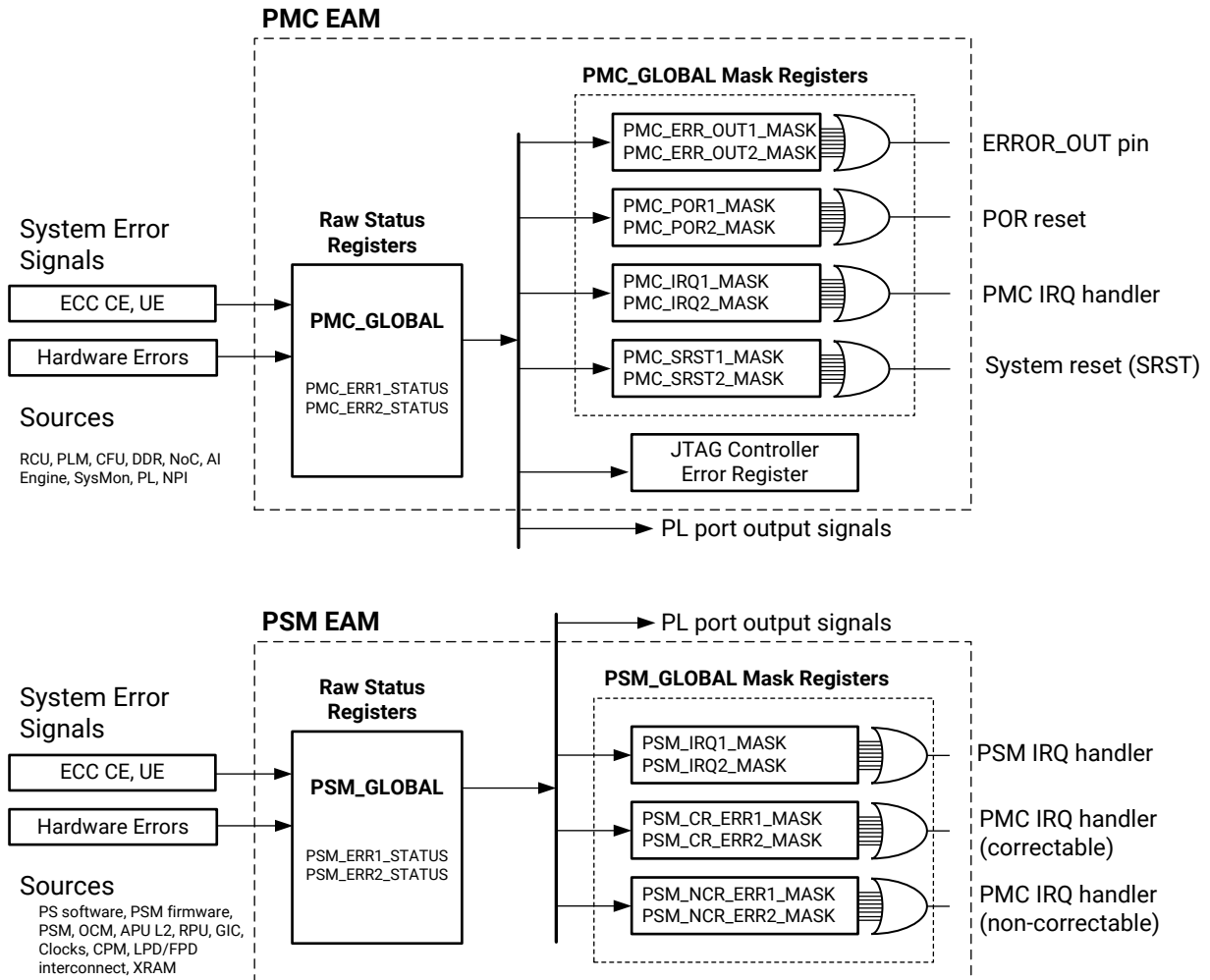
Error Accumulator Modules

The system error accumulator modules are programmed to generate one or more system signal activities.

- [PMC Error Status Registers](#)
 - Generate PMC IRQ interrupt to PLM
 - Assert ERROR_OUT output pin (PIN)
 - Assert system reset (SRST)
 - Assert internal POR
 - Most error in the JTAG controller error register, listed in [ERROR_STATUS Register](#)
- [PSM Error Status Registers](#)
 - General IRQ handler in PSM firmware
 - Correctable IRQ handler in PSM firmware
 - Uncorrectable IRQ handler in PSM firmware
- System error signals are also routed to the PL

After the system error is latched, they are routed so they can generate one or more actions.

Figure 77: System Error Accumulator Modules



X21699-092421

Types of Errors

The system errors can be grouped as follows:

- [Memory Errors](#)
- [Interconnect Errors](#)
- [Processor Errors](#)
- [System Watchdog Timer Errors](#)
- [System Software Errors](#)
- [Functional Safety Errors](#)

- [Security Errors](#)

Memory Errors

- OCM non-correctable memory error
- APU L2-cache non-correctable memory error
- XRAM correctable and non-correctable memory error

Interconnect Errors

- APB programming interface errors
- Parity errors
- Timeout errors

Processor Errors

The RPU and APU generate several system errors.

- RPU lock-step errors
- APU_GIC_AXI errors
- APU_GIC_ECC errors

System Watchdog Timer Errors

The system watchdog timer (SWDT) expects certain responses from software based on timed windows and system interrupts. If the timer determines that the system has a serious problem, it asserts a system error that is routed to the PSM error accumulator module (EAM) and handled by the PSM firmware. The firmware can choose to reset part of the system, all of the system, or take other action.

The watchdog timers are described in the [System Watchdog Timers](#) chapter.

System Software Errors

- PS software correctable error
- PS software non-correctable error
- PSM firmware program correctable error
- PSM firmware program non-correctable error
- PSM hardware correctable error

- PSM hardware non-correctable error

Functional Safety Errors

A safety error occurs when logic or a memory cell changes state due to a physical anomaly. The system can detect these anomalies. When a safety error occurs, it is important to ensure that the system remains in a safe state. This can include any of a number of actions. Broadly, responses fall into two categories.

- **Correctable Error:**

A bit error is detected and corrected, usually by the hardware. The event is recorded and an interrupt is signaled.

Note: The typical response is for the platform loader and manager (PLM) to report the event to the system safety software so it can be monitored and analyzed.

- **Uncorrectable Error:**

An error that is detected but cannot be corrected. The event is recorded and an interrupt is signaled.

Note: The typical response is for the PLM to indicate that a system-level intervention is required, which might include a partial or complete system reset.

Security Errors

A security error occurs when a secure asset is exposed. When a security error is detected, the system usually responds with a secure lockdown and zeroization of key system elements before a reset restart is issued.

System Error Accumulator Registers

The system error accumulator registers are included in two register modules:

- PMC_GLOBAL error accumulator signal destinations:
 - ERROR_OUT output signal listed in the [PMC Dedicated Pins](#) chapter
 - POR: power-on reset signal shown in the [Reset Circuitry, EAM, and JTAG TAP Controller](#)
 - IRQ: PMC and PSM interrupt controller signals
 - SRST: system reset signal

Table 131: System Error Accumulator Registers

Type	Register Names		Access Type	Description
	PMC Accumulator	PSM Accumulator		
Status	PMC_ERR1_STATUS PMC_ERR2_STATUS	PSM_ERR1_STATUS PSM_ERR2_STATUS	R	Raw status: 0: Deasserted 1: Asserted
Masks	PMC_ERR_OUT1_MASK PMC_ERR_OUT2_MASK PMC_POR1_MASK PMC_POR2_MASK PMC_IRQ1_MASK PMC_IRQ2_MASK PMC_SRST1_MASK PMC_SRST2_MASK	PSM_CR_ERR1_MASK PSM_CR_ERR2_MASK PSM_NCR_ERR1_MASK PSM_NCR_ERR2_MASK PSM_IRQ1_MASK PSM_IRQ2_MASK	R	Mask: 0: Enabled 1: Masked
Enables	PMC_ERR_OUT1_EN PMC_ERR_OUT2_EN PMC_POR1_EN PMC_POR2_EN PMC_IRQ1_EN PMC_IRQ2_EN PMC_SRST1_EN PMC_SRST2_EN	PSM_CR_ERR1_EN PSM_CR_ERR2_EN PSM_NCR_ERR1_EN PSM_NCR_ERR2_EN PSM_IRQ1_EN PSM_IRQ2_EN	R	Enable: 0: Ignored 1: Enable error (IMR is set to 0)
Disables	PMC_ERR_OUT1_DIS PMC_ERR_OUT2_DIS PMC_POR1_DIS PMC_POR2_DIS PMC_IRQ1_DIS PMC_IRQ2_DIS PMC_SRST1_DIS PMC_SRST2_DIS	PSM_CR_ERR1_DIS PSM_CR_ERR2_DIS PSM_NCR_ERR1_DIS PSM_NCR_ERR2_DIS PSM_IRQ1_DIS PSM_IRQ2_DIS	R	Disable: 0: Ignored 1: Disable error (IMR is set to 1)

PMC Error Status Registers

The PMC error accumulation module includes two status registers:

- [PMC_ERR1_STATUS](#) register: described in the [PMC Error Status 1](#) section
- [PMC_ERR2_STATUS](#) register: described in the [PMC Error Status 2](#) section

PMC Error Status 1

The raw error status 1 bits in the [PMC_ERR1_STATUS](#) register are listed in the following table.

Table 132: PMC System Error Accumulation Module Register 1

Error Name	System Error Status Reg Bit	JTAG Error Status Reg Bit	Description
reserved	0	63	reserved
BootROM NCR	1	62	BootROM non-correctable error; set during boot
PLM CR	2	61	PLM boot correctable error; set during boot
PLM NCR	3	60	PLM boot non-correctable error; set during boot
GSW CR	4	59	General software correctable error; set by any processor after boot
GSW NCR	5	58	General software non-correctable error; set by any processor after boot
CFU	6	57	CFU error
CFRAME	7	56	CFRAME error
PSM CR	8	55	PSM correctable error
PSM NCR	9	54	PSM non-correctable error
DDRMC MB CR	10	53	DDRMC MicroBlaze™ correctable ECC
DDRMC MB NCR	11	52	DDRMC MicroBlaze non-correctable ECC
NOC CR	12	51	NoC correctable error
NOC NCR	13	50	NoC non-correctable error
NOC user	14	49	NoC user error
MMCM lock	15	48	MMCM lock error
AIE CR	16	47	AI Engine correctable error
AIE NCR	17	46	AI Engine non-correctable error
DDRMC MC ECC CR	18	45	DDRMC memory correctable ECC
DDRMC MC ECC NCR	19	44	DDRMC memory non-correctable ECC
GT CR	20	43	GT correctable error
GT NCR	21	42	GT non-correctable error
SYSMON CR	22	41	System monitor correctable error
SYSMON NCR	23	40	System monitor non-correctable error
User PL0	24	39	User-defined PL error
User PL1	25	38	User-defined PL error
User PL2	26	37	User-defined PL error
User PL3	27	36	User-defined PL error
NPI Host	28	35	NPI Host reported error
SSIT Error 3 SSIT Error 4 SSIT Error 5	29 30 31	34 33 32	Stacked silicon integrated (SSI) technology with super logic regions (SLR) errors 3 to 5

PMC Error Status 2

The raw error status 1 bits in the [PMC_ERR2_STATUS](#) register are listed in the following table.

Table 133: PMC System Error Accumulation Module Register 2

Error Name	System Error Status Reg Bit	JTAG Error Status Reg Bit	Description
PMC APB	0	31	PMC APB programming interface address decode errors
PMC BootROM	1	30	BootROM validation error
RCU hardware	2	29	RCU hardware error
PPU hardware	3	28	PPU hardware error
PMC parity	4	27	PMC switch and IOP interconnect parity errors
PMC CR	5	26	PMC correctable errors
PMC NCR	6	25	PMC non-correctable errors
PMC SYSMON Alarms: 0 to 9	7 8 9 10 11 12 13 14 15 16	24 23 22 21 20 19 18 17 16 15	System monitor remote alarms for temperature shutdown and power supply failure
CFI NCR	17	14	CFI non-correctable error
SEU CRC	18	13	CFRAME SEU CRC error
SEU ECC	19	12	CFRAME SEU ECC error
reserved	20	11	reserved, returns 0
reserved	21	10	reserved, returns 1
RTC alarm	22	9	RTC alarm error
NPLL	23	8	PMC NPLL lock error; asserted while locking or when lock is lost
PPLL	24	7	PMC PPLL lock error; asserted while locking or when lock is lost
Clock monitor	25	6	Clock monitor errors
PMC timeout	26	5	PMC interconnect timeout errors; from mission and timeout interrupt status registers
PMC XMPU	27	4	PMC_XMPU error detection; includes read permission, write permission, and security violations
PMC XPPU	28	3	PMC XPPU error detection; includes SMID not found, SMID parity error, read permission, SMID access, and TrustZone violations
SSIT error 0 SSIT error 1 SSIT error 2	29 30 31	2 1 0	Stacked silicon integrated (SSI) technology SLR errors 0 to 2

PSM Error Status Registers

The PSM error accumulation module includes two status registers:

- [PSM_ERR1_STATUS](#) register: described in the [PSM Error Status 1](#) section
- [PSM_ERR2_STATUS](#) register: described in the [PSM Error Status 2](#) section

PSM Error Status 1

The raw error status 1 bits in the [PSM_ERR1_STATUS](#) register are listed in the following table.

Table 134: PSM System Error Accumulation Register 1

Error Name	System Error Reg Bit	Description
PS_SW_CR	0	PS software write can set this bit
PS_SW_NCR	1	PS software write can set this bit
PSM_B_CR	2	PSM firmware write can set this bit
PSM_B_NCR	3	PSM firmware write can set this bit
MB_FATAL	4	OR of MicroBlaze fatal errors
PSM_CR	5	PSM correctable error
PSM_NCR	6	PSM non-correctable error
OCM_ECC	7	OCM ECC non-correctable error
L2_ECC	8	APU L2-cache ECC non-correctable error
RPU_ECC	9	OR of many errors
RPU_LS	10	
RPU_CCF	11	
GIC_AXI	12	APU GIC access port
GIC_ECC	13	APU GIC ECC non-correctable error
APLL_LOCK	14	APU PLL lock error; asserted while locking or when loses lock
RPLL_LOCK	15	RPU RPLL lock error; asserted while locking or when loses lock
CPM_CR	16	CPM correctable error
CPM_NCR	17	CPM non-correctable error
LPD_APB	18	LPD APB address decode errors: IPI, USB_2, CRL, S_AXI_LPD. LPD_IOP_SLCR, LPD_IOP_SECURE_SLCR
FPD_APB	19	FPD APB address decode errors: CRF, S_AXI_HP, S_AXI_HPC. FPD_SLCR, FPD_SECURE_SLCR
LPD_PAR	20	LPD AXI main interconnect parity error
FPD_PAR	21	FPD AXI main interconnect parity error
IOP_PAR	22	LPD IOP interconnect parity error
PSM_PAR	23	PSM interconnect parity error
LPD_TO	24	LPD interconnect timeout error
FPD_TO	25	FPD interconnect timeout error

Table 134: PSM System Error Accumulation Register 1 (cont'd)

Error Name	System Error Reg Bit	Description
PSM_TO	26	PSM interconnect timeout error
XRAM_CR	27	Accelerator RAM correctable error
XRAM_NCR	28	Accelerator RAM non-correctable error
reserved	29 to 31	reserved

PSM Error Status 2

The error status bits in the [PSM_ERR2_STATUS](#) register are listed in the following table.

Table 135: PSM System Error Accumulation Register 2

Error Name	System Error Reg Bit	Description
LPD_SWDT	0	LPD system watchdog timer
FPD_SWDT	1	FPD system watchdog timer
reserved	2 to 17	reserved
LPD_XMPU_ERR	18	LPD MPPU violations and errors
LPD_XPPU_ERR	19	LPD XPPU violations and errors
FPD_XMPU_ERR	20	FPD XPPU violations and errors
reserved	21 to 31	reserved

Error Status Register Mapping

The system errors are accumulated in several memory-mapped registers and the JTAG error status register.

- 160-bit JTAG [ERROR_STATUS Register](#) table.
- Memory-mapped [PMC Error Status Registers](#) tables.
- Memory-mapped [PSM Error Status Registers](#) tables.

The error types with cross-referencing between the memory-mapped and JTAG error status registers are shown in the following table.

Table 136: Error Status Register Mapping

Error Type	JTAG Error Status bits	Register Reference Link	Notes
System errors routed to PLM firmware	31:0	PMC_ERR2_STATUS	From several sources: RCU, PLM, CFU, DDR, NoC, AI Engine, SYSMON, PL, and NPI. See Note ¹ for PLM_RTCA registers.
	63:32	PMC_ERR1_STATUS	
General software error code for PLM	93:64	PMC_GSW_ERR	Data field. CR and NCR flags.
PLM minor error code	109:94	PMC_FW_ERR	Written by the PLM firmware.
PLM major error code	123:110		
BootROM last error code (LEC) detected	135:124	PMC_BOOT_ERR	See list in BootROM Error Code Table section. Written by the RCU BootROM code.
BootROM first error code (FEC) detected	147:136		
reserved	159:148	-	reserved
System errors routed to PSM firmware	na	PSM_ERR1_STATUS	From several sources: PS software, OCM, APU, RPU, GIC, clocks, CPM, LPD, FPD, and XRAM.
	na	PSM_ERR1_STATUS	

Notes:

1. The value of the system error bits are stored in two PLM_RTCA registers ([PMC_ERROR_STATUS_1](#) and [PMC_ERROR_STATUS_2](#)) before the status is updated.

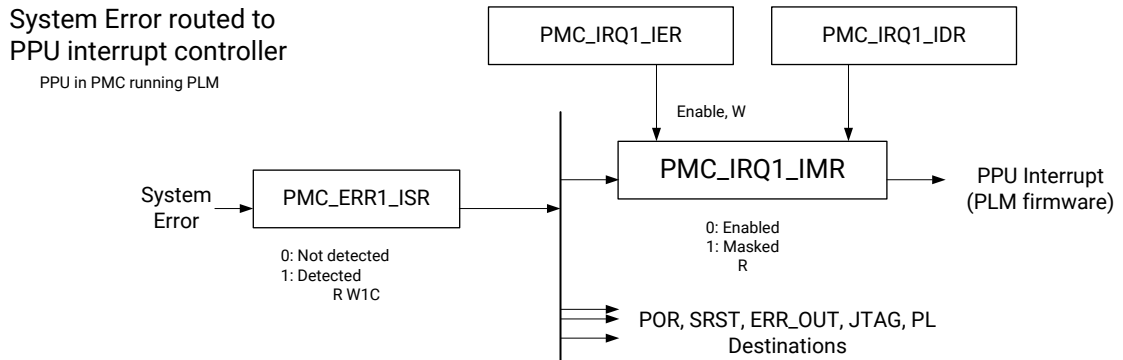
Programming Model

The PLM firmware and PSM firmware can store errors and other information in their respective storage registers. There are general software error registers in the PMC that are potentially accessible by all system processors including the PMC itself. For more information, see [System Error Accumulator Registers](#).

System Error Masking Example

The routing of each system error is controlled by mask registers. Each system error is normally routed to one of several destinations controlled by the mask registers as shown in the following figure.

Figure 78: System Error Masking Example



X23920-050820

Programming Interface

The PMC error accumulator is programmed using a 32-bit APB programming interface.

Timers, Counters, and RTC

This section includes these chapters:

- [Real-Time Clock](#)
- [System Counters](#)
- [Triple-Timer Counters](#)
- [System Watchdog Timers](#)

Summary of Timers and Counters

The following table is a summary of the timers and counters within the processing system and PMC.

Table 137: Summary of Timers and Counters

Name	Location	TRM Link	Description
System counter	LPD	System Counters	64-bit wide physical count. Secure and read-only non-secure access modes.
Triple timer counters, TTC	LPD	Triple-Timer Counters	32-bit general purpose timer and counter.
System watchdog timers, SWDT	Multiple	System Watchdog Timers	Multifunction timer for software integrity monitoring.
CoreSight™ debug counter			CoreSight debug counter time reference.
Interconnect timeout counters	Multiple	ePort Timeout	Time out counter on interconnect egress ports to APB and AXI interfaces.

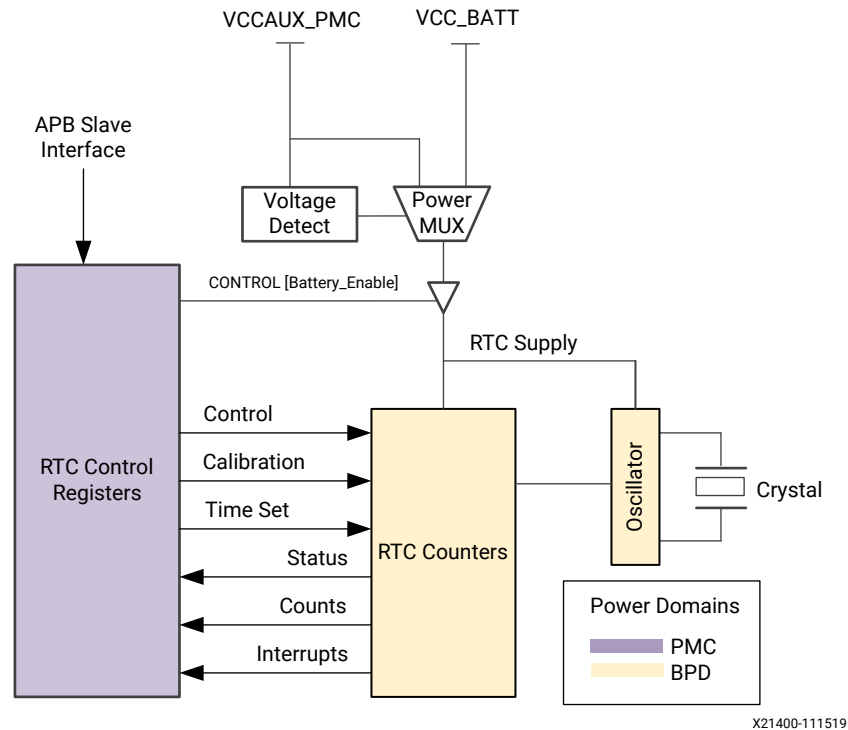
Real-Time Clock

The real-time clock (RTC) resides in the PMC and maintains an accurate time base for system and application software. It includes calibration circuitry to offset temperature and voltage fluctuations in applications requiring greater accuracy. The RTC also provides alarm setting and periodic interrupt features. The real-time clock provides continuous operation powered by the PMC auxiliary supply (VCCAUX_PMC) or the battery supply (VCC_BATT). When the auxiliary supply is available, the RTC uses it to keep the counters active. The RTC automatically switches to the battery power supply when the auxiliary supply is not available.

The RTC generates two system interrupt signals to the generic interrupt controller (GIC), the GIC proxy, and the programmable logic (PL) once every second and when an alarm event occurs. The periodic second tick interrupt can be used by all system processors. The alarm control must be managed at a system level with the processors.

As shown in the following figure, the RTC subsystem has three main modules: counter module, control register module, and oscillator module. The RTC counters module is powered by the battery power domain and includes three counters, calibration circuitry, and logic used to retain the programmed time. The RTC control register module is implemented in the PMC power domain and incorporates all of the registers associated with the RTC controller. The oscillator module is supplied by the battery power domain and provides the RTC clock.

Figure 79: RTC Controller Block Diagram



Features

The RTC has the following features:

- Continuous operation using auxiliary or battery power supplies
- Alarm setting and periodic interrupts
- Complex calibration circuits for highly accurate time keeping
- 32-bit seconds counter represents 136 years of time
- Three counters:
 - x 32-bit seconds counter
 - x 16-bit tick counter to measure a second based on 32 kHz crystal
 - x 4-bit fractional counter for calibration

Counter Module

The RTC counter module contains the 32-bit seconds counter, 16-bit tick counter, and 4-bit calibration counter. The counter module maintains a previously programmed time for read back and calibration by software and maintains the current time in seconds. The counter module calibration circuitry is used to calculate one second with a maximum PPM inaccuracy.

The seconds counter is a 32-bit synchronous counter that holds the number of seconds from a specific reference point known by the operating system. The seconds counter can represent a time of up to 136 years. Initially, the current time is calculated through the clock device driver in the operating system, which is based on the number of seconds that elapse from a reference point. This current time value is programmed into the RTC counters through the time-set register used to initialize the seconds counter. The seconds counter is then clocked every second to increment and hold the updated current time. The current time is read through the interface to the RTC controller.

For every oscillator clock cycle, the value in the tick counter is compared against the value stored in the calibration register. If these values match, the tick counter is reset to zero and an interrupt is generated. The interrupt signal from the RTC counters is asserted for one RTC clock cycle and is captured on the positive-edge transition of the interrupt status register RTC controller. The follow-on interrupt from the RTC counters can be used by a clock device driver to calculate the time and date.

When enabled, the fractional calibration feature takes effect every 16 seconds and delays the release of the clear signal to the tick counter by the number of oscillator cycles programmed in the fractional calibration field of the calibration register.

Calibration

The clear signal that is used to reset the tick counter can be extended/delayed by logic that operates with the fractional calibration value to provide fractional tick adjustment. Every time the fraction counter asserts an extend clear signal to the tick counter, the clear function to the tick counter remains asserted. Any inaccuracy in the oscillator is compensated for by adjusting the calibration value and making the remaining inaccuracy a fraction of a tick in every second. The impact of the remaining inaccuracy can be compensated for by using a fraction counter.

Every 16 seconds the accumulated inaccuracy can be approximated by the total number of ticks between zero and 16. This value is programmed in the fractional calibration segment of the calibration register. After 16 seconds, the fraction counter starts incrementing from zero to this value. During the time the fraction counter is incrementing, the clear signal to the tick counter stays asserted. As a result, the tick counter increments are delayed by the value of ticks every 16 seconds.

When the fraction comparator determines that the fraction counter value is equal to the maximum fractional calibration value, the fraction comparator releases the clear signal of the tick counter. This clear signal allows the fractional counter to start incrementing again. The fractional calibration register also includes an enable bit. When this bit is a 1, the fraction comparator performs the operations associated with fractional calibration, including the tick counter extend clear signal.

RTC Accuracy

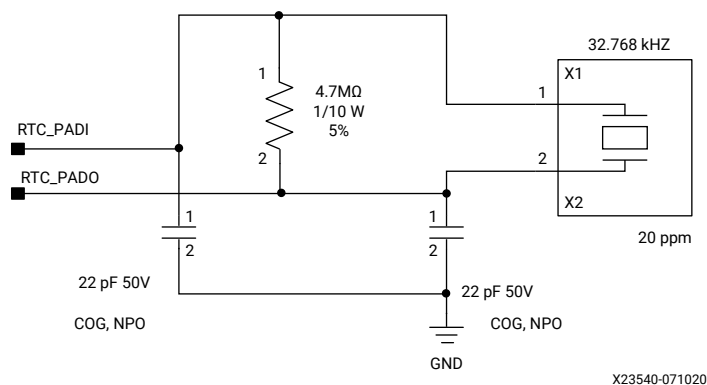
For the 32.768 kHz crystal oscillator, the static inaccuracy of the RTC is bounded to ± 30.5 ppm if the selected crystal has a larger static inaccuracy. For example, a crystal inaccuracy of +50 ppm in one-million ticks generates 50 extra ticks (or off by 1–9/16 of a tick every second). Increasing the calibration value by one leaves 9/16 of the tick. Therefore, the static +50 ppm crystal in accuracy impacts the RTC similar to a +17.17 ppm crystal, because some of the inaccuracy is accounted for through the seconds calibration.

By enabling the fractional calibration feature, the second calculation logic can perform further calibration by delaying the clearing of the tick counter by one to 15 oscillator ticks every 16 seconds. In the previous example, after every 16 seconds, the clock is nine ticks ahead. Therefore, by programming the value of nine into the fractional calibration field of the calibration register, the time is adjusted by nine ticks every 16 cycles, which corrects the static inaccuracy of the oscillator.

External Clock Crystal and Circuitry

The typical crystal used for the RTC is a 20 ppm, 32.768 kHz crystal (see the following figure). Using the RTC calibration mechanism, the effective inaccuracy is reduced to less than two. Using a 65.536 kHz crystal further reduces the effective calibration inaccuracy to less than 1 ppm.


Figure 80: Crystal Circuit Example



Interfaces and Signals

The RTC interfaces to logic in the PMC and includes these features:

- An APB interface to access the registers within the controller and the RTC counters
- Interrupt status, interrupt mask, interrupt enable, and interrupt disable registers manage the seconds and alarm interrupts
- The RTC control register enables the crystal oscillator, controls power to the RTC, and enables address errors when accesses are made to the regions within the RTC address space that are not mapped to registers

 **IMPORTANT!** The RTC control register must be programmed every time the PMC power domain is powered. Otherwise, the value returned by reading the control register can be different from the actual control settings stored in the battery power domain.

Registers

The RTC control and status registers are listed in the following table.

Table 138: RTC Register Summary

Register Name	Width	R/W Type	Reset Value	Description
SET_TIME_WRITE	32	WO	0h	Program the RTC with the current time
SET_TIME_READ	32	RO	0h	Read the last write done by software to SET_TIME_WRITE
CALIB_WRITE	21	WO	0h	Store the value that is used to generate one second based on the oscillator period
CALIB_READ	21	RO	0h	Read back the calibration value that was programmed in the RTC
CURRENT_TIME	32	RO	0h	32-bit timer value in seconds
ALARM	32	RW	0h	Program the alarm value for the RTC
RTC_INT_STATUS	2	WTC	0h	Raw interrupt status
RTC_INT_MASK	2	RO	3h	Interrupt mask applied to the status
RTC_INT_EN	2	WO	0h	Write a 1 to enable an interrupt
RTC_INT_DIS	2	WO	0h	Write a 1 to disable an interrupt
ADDR_ERROR	1	WTC	0h	Register address decode error interrupt status
ADDR_ERROR_INT_MASK	1	RO	1h	Register address decode error interrupt mask
ADDR_ERROR_INT_EN	1	WO	0h	Write a 1 to enable address decode error interrupt
ADDR_ERROR_INT_DIS	1	WO	0h	Write a 1 to disable address decode interrupt

Table 138: RTC Register Summary (cont'd)

Register Name	Width	R/W Type	Reset Value	Description
CONTROL	32	RW	0200_0000h	Controls the battery enable, clock crystal enable, and APD address decode error
SAFETY_CHK	32	RW	0h	Endpoint connectivity safety check

System Counters

The system counter is used by software to acquire a time stamp that is accessible to all processors. The APU can access the time count using a CPU local register. The other processors access the LPD_SCNTR register module. The system counter is physically located in the LPD.

The counter is clocked by the TS_REF_CLK from the LPD clock controller. This reference clock is controlled by the [TIMESTAMP_REF_CTRL](#) register.

System Memory Mapped Register Access

The count value is accessible using memory-mapped registers in the LPD memory space and by local registers in the APU cores. All registers access the same value from system counter in the LPD.

The system memory-mapped register modules include:

- LPD_SCNTR (read-only)
- LPD_SCNTRS (read/write by a secure transaction)

Local Register Access

Software can access the local processor counter registers in v8 architecture.

- Enabling and disabling the counter using CNTCR [EN] bit:
 - 0: disabled
 - 1: enabled
- Match the tick count in CNTFRQ register to the to TS_REF_CLK frequency
- Set the counter value:
 - Two contiguous RW registers CNTCV [31:0] and CNTCV [63:32] hold the current count
 - Writing to CNTCV [63:32] starts the counting
- Enable halt-on-debug for a debugger to use to suspend counting. Use CNTCR [HDBG] bit [1]:
 - 0: system counter ignores halt-on-debug signal
 - 1: halt-on-debug signal halts system counter update

Changing the operating mode to change the update frequency and increment value. CNTCR, counter control register FCREQ, bits [17:8]: frequency change request.

Processor Virtual Counters

The processor's virtual counters are derived from the system counter. The virtual counter is a count subtracted from the system count. Each virtual world can have their own counter value. The single physical system counter drives and multiple virtual counters.

Triple-Timer Counters

The triple-timer counter (TTC) can generate periodic interrupts or can be used to count the widths of signal pulses from an MIO pin or from the PL.

There are four TTCs in the LPD. Each TTC has its own set of control and status registers that are accessed via its 32-bit APB programming interface attached to the LPD IOP switch. Each TTC can be individually protected by the LPD_XPPU protection unit. All three timer/counters within a TTC must have the same security status because a single APB programming interface serves the entire TTC.

Features

- Selectable clock input:
 - Internal PS bus clock based on the APB interface (IOP_REF_CLK)
 - Internal clock (from PL)
 - External clock (from MIO)
- Three independent 32-bit timer/counters
- 16-bit prescaler for the clock
- Three system interrupts, one for each timer counter
- Interrupt on overflow and counter match programmable values is generated as a system interrupt
- Increment and decrement counting
- Generate a waveform output (for example, PWM) through the MIO and to the PL fabric

Operating Modes

Each of the timer counters can operate in one of these modes:

- Interval timing mode (increment and decrement count)
- Overflow detection mode (increment and decrement count)
- Event timer mode

The register matching interrupt can be enabled in each of these modes.

Reset State

After reset, the TTC counters are set to this configuration:

- Overflow mode
- Internal clock selected
- Counter disabled
- All interrupts disabled
- Event timer disabled
- Output waveforms disabled

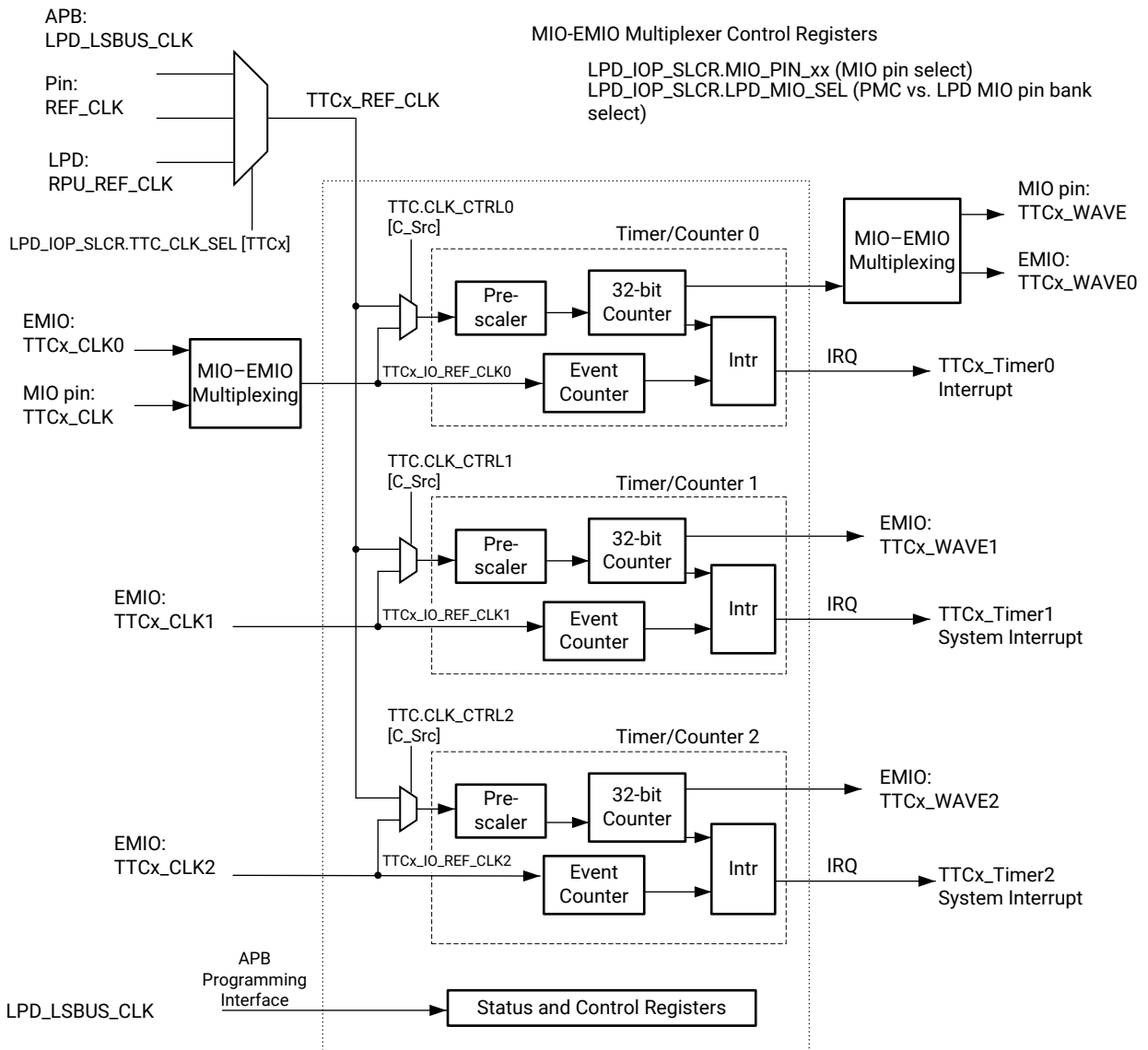
System Perspective

All four of the TTC controllers are located in the LPD subsystem.

Block Diagram

The following figure shows the input clocks, wave out signals, and system interrupts. TTC 0 has more clocking options than TTC 1 or 2 as shown in the figure.

Figure 81: TTC Block Diagram



X22245-011222

Interrupts

Three interrupt signals are available for use at the system level. A system interrupt occurs when a bit in the interrupt enable register and the corresponding bit in the interrupt detect register are both set. The interrupt register takes the interrupt signals from the timer-counter module and stores them until the register is read. When the interrupt register is read by the processor, it is reset. To enable an interrupt, it is necessary to write a 1 to the corresponding bit position in the interrupt enable register.

The interrupt of various types are combined. Each type can be individually enabled within each timer/clock.

- Counter interval
- Counter matches
- Counter overflow
- Event timer overflow

Prescaler

The interface includes a prescaler module to provide a selectable clock frequency for driving the timer counter. The prescaler can be programmed to operate on the clock options shown in the figure. The selected clock is then divided down to provide the count clock. Division can be from $\div 2$ to $\div 65536$ using `CLK_CTRL0` [PS_V]. Each prescaler can be independently programmed.

Counter Module

The counter module can increment or decrement and can be configured to count for a given interval. It also compares three match registers to the value of the counter and generates an interrupt if one matches.

Overflow Detection Functional Model

Overflow Detection Mode

If the interval bit in the counter control register is not set, the counter can count up to or down from its full 32-bit value. An interrupt is generated when the count passes through zero. To increment, when the counter value register reaches `FFFF_FFFFh`, it overflows to zero, and then the overflow interrupt is set and counting up is restarted. To decrement, when the counter value register reaches zero, the overflow interrupt is set. The counter then overflows to `FFFF_FFFFh` and counting down is restarted.

Interval Timing Functional Model

Interval Timing Mode

If the interval bit is set in the counter control register, the counter counts up to or down from a programmable interval value. An interrupt is generated when the count passes through zero. When interval mode operation is not enabled, the counter is free-running. To increment, when the counter value register is equal to the interval register value, the counter is reset to zero, the interval interrupt is set, and counting up is restarted. To decrement, when the counter value register is equal to zero, the interval interrupt is set. The counter is then reset to the interval register value and counting down is restarted.

Event Timer Functional Model

Event Timer Mode

The event control timer operates by having an internal 16-bit counter clocked by the local bus clock that resets to 0 during the non-counting phase of the external pulse and increments during the counting phase of the external pulse.

The event control timer registers (e.g., `TTCn_EVENT_CONTROL_TIMER_1` ([EVT_CTRL_TMRO](#))) control the behavior of the internal counter.

- [E_En] bit: when 0, immediately resets the internal counter to 0, and stops incrementing
- [E_Lo] bit: specifies the counting phase of the external pulse
- [E_Ov] bit: specifies how to handle an overflow at the internal counter (during the counting phase of the external pulse)
 - 0: overflow causes [E_En] to be 0 (see the [E_En] bit description)
 - 1: overflow causes the internal counter to wrap around and continues incrementing
 - When an overflow occurs, an interrupt is always generated (subject to further enabling through another register)

The event register is updated with the non-zero value of the internal counter at the end of the counting-phase of the external pulse. The event register shows the widths of the external pulse, measured in number of cycles of clock cycles. If overflow occurs, the event register is not updated and maintains the old value.

Register Reference

The TTC control and status registers are accessed by their APB bus interface via the PMC local IOP interconnect. These registers are protected by the PMC XPPU protection unit.

Register Overview

The following table lists the four sets of TTC registers. There are four TTC controllers (n = 0 to 3 in the table).

Table 139: TTC Register Overview

Register Name	Access Type	Description
CLK_CTRL0 CLK_CTRL1 CLK_CTRL2	RW	Clock control for a counters 0, 1, and 2.
CNT_CTRL0 CNT_CTRL1 CNT_CTRL2	RW	Operational mode and reset for a counters 0, 1, and 2.
CNT_VAL0 CNT_VAL1 CNT_VAL2	R	Current counter value for a counters 0, 1, and 2.
INTERVAL_CNT0 INTERVAL_CNT1 INTERVAL_CNT2	RW	Maximum count value for a counters 0, 1, and 2.
MATCH0_CNT0 MATCH1_CNT0 MATCH2_CNT0	RW	Match values for counter 0; when count matches a value, then the interrupt bit is set.
MATCH0_CNT1 MATCH1_CNT1 MATCH2_CNT1	RW	Match values for counter 1; when count matches a value, then the interrupt bit is set.
MATCH0_CNT2 MATCH1_CNT2 MATCH2_CNT2	RW	Match values for counter 2; when count matches a value, then the interrupt bit is set.
ISR_CNT0 IER_CNT0	R RW	Interrupts for counter 0: status and enable for interval, match, overflow, and event.
ISR_CNT1 IER_CNT1		Interrupts for counter 1 int: status and enable for interval, match, overflow, and event.
ISR_CNT2 IER_CNT2		Counter 2 interrupts: status and enable for interval, match, overflow, and event.
EVT_CTRL_TMR0 EVT_CTRL_TMR1 EVT_CTRL_TMR2		Enable, pulse, and overflow.

Table 139: TTC Register Overview (cont'd)

Register Name	Access Type	Description
EVT_CYCLE_TMR0 EVT_CYCLE_TMR1 EVT_CYCLE_TMR2		APB interface clock cycle count for event.

TTC I/O Signals

The TTC controller includes two I/O signals. The signals are listed in the following table.

Table 140: TTC Controller I/O Signals

MIO				
Signal Name	I/O	PMC MIO Pin	LPD MIO Pin	MIO-at-a-Glance Table
TTC0_CLK TTC1_CLK TTC2_CLK TTC3_CLK	I	MIO-at-a-Glance		0
TTC0_WAVE TTC1_WAVE TTC2_WAVE TTC3_WAVE	O			1

System Watchdog Timers

The system watchdog timer (SWDT) includes a multifunctional window operating mode and a generic timeout mode. In window mode, the system software must write to the watchdog timer within predefined window periods of time. In the simplest case, this means a period that is not too soon and a period that is not too late. The basic window mode includes an option that requires the software to perform a task signature handshake with the watchdog timer. The Q&A window mode includes a token protocol that requires software to calculate response values and write byte values four times during certain times. The window mode also includes an optional second sequence timer to delay an inevitable system reset request event.

Watchdog timers are commonly used in embedded systems to activate fail-safe circuitry in the event of a fault. The programmable watchdog timer helps to maintain a healthy and secure system by detecting errant software, deadlock conditions, tampering, and unexpected behavior. The window mode timer does this by imposing strict requirements on the software. If there is unexpected software behavior, there is a greater probability that software cannot fulfill the strict response requirements of the timer, which can cause a bad event that either adds to the fail counter or leads to the system reset request event.

The system reset event is signaled as a system error for the PSM firmware to handle and a reset output signal to the MIO/EMIO.

There are two instances of the SWDT; one in the LPD and one in the FPD.

Features

The timer hardware has the following features.

Window Timer Mode Features

To help support system reliability and security, the window mode can be programmed to impose a time-sensitive handshake with the system software. The SWDT can be programmed for windowing, program sequence flows, an optional Q&A token request/response protocol, and the following:

- Configurable close and open window time periods (first and second windows)
- Second sequence timer (SST) reset output delay

- Token handshake (Q&A window mode)
- Program sequence monitor (PSM) task signature handshake (basic window mode)
- Fail counter (FC) keeps track of bad events vs good events

Generic Timer Mode Features

The generic watchdog timer expects the system software to refresh the timer at a regular interval. The watchdog timer asserts an interrupt when the timeout period expires. The timer waits again for a response from the system software. If there is no response, the controller generates the system reset request event.

Common Features

- APB register programming interface
- System reset and interrupt outputs to the PMC, PS, PL, and MIO/EMIO
- Selectable reference clock input from MIO/EMIO port signal or the APB programming interface clock
- Programmable timeout periods from 1 ms to 30 seconds

Window Timer Applications

The window watchdog mode supports several applications that can be supported simultaneously.

- **Reset the Timer Too Soon**

When the system software enters the interrupt handler to restart the watchdog timer, it is possible that the software erroneously stays in the interrupt routine and repeatedly issues the timer restart command in relatively quick succession. This can be detected by the SWDT and cause it to generate an interrupt. The window mode detects the high rate of software writes to the timer to prevent the software from being stuck in a watchdog interrupt routine.

- **Bound the Performance**

An additional use of the watchdog timer is to ensure the performance of the system stays within expected bounds. A narrow window of time is given to the open window that is carefully calculated to be achievable under all correct operating scenarios. If a fault occurs that causes some performance degradation, the timer is not reset within the narrow available time window and the watchdog timer issues an interrupt. If the watchdog timer detects a problem, it generates a system reset request event.

- **Always-on Operation**

The window watchdog timer can be programmed to always be on as the health of the system is monitored and evaluated. The always-on operation uses the fail count as a measure of how well the watchdog timer is being serviced.

Comparison to Previous Generation Devices

The Versal ACAP system watchdog timer includes a generic watchdog timer based on the MPSoC SWDT. The follow-on devices add a windowed environment mode that is derived from the LogiCore IP from Xilinx with the addition of the Q&A token response handshake.

Timer Instances

There are two system watchdog timers (SWDT) instances on the device, and both have the same programming model.

Table 141: System Watchdog Timers

SWDT Instance Name	Description	I/O Signal Prefix	Alternate Name
LPD_SWDT	For RPU	SWDT0_	WWDT0
FPD_SWDT	For APU	SWDT1_	WWDT1

It is possible to implement an external watchdog timer (WDT) to monitor the health of other processors and controllers. This can be done in the PL or external to the device. See the *Versal ACAP System Software Developers Guide* ([UG1304](#)) for an example framework for the PLM firmware.

System Perspective

The system perspective is shown in the block diagram and other sections:

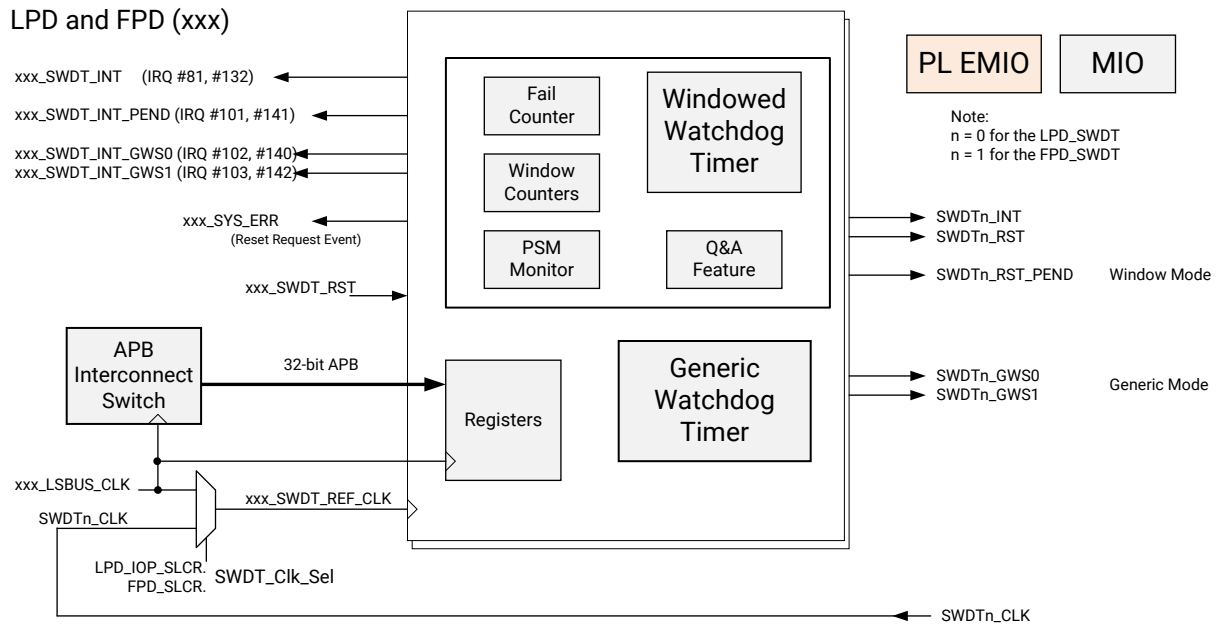
- [Block Diagram](#)
- [Programming Interface](#)
- [Watchdog Timer Clock Periods](#)
- [Signal Descriptions](#)
 - [Reset to the Timer](#)
 - [Reference Clock Signal](#)
 - [System Reset Request Event](#)
 - [Timer Signals to System, MIO, and EMIO](#)

Block Diagram

The system watchdog timer block diagram is shown in the following figure.

Note: System signal names are prefaced with LPD or FPD. I/O signals include a 0 or 1 for the LPD and FPD instances, respectively.

Figure 82: System Watchdog Timer Block Diagram



X23894-111121

The system interface signals are described in the next few sections. The timer I/O signals connected to the MIO/EMIO subsystem are described in the [SWDT I/O Signals](#) section.

Programming Interface

The watchdog timer has a 32-bit APB programming interface for configuration, status, and control.

- LPD SWDT
 - Attached to the LPD IOP APB interconnect switch
 - LPD_LSBUS_CLK clock (APB switch)
 - 0xF120_0000
- FPD SWDT
 - Attached to the FPD AUX APB interconnect switch
 - FPD_LSBUS_CLK clock (APB switch)
 - 0xFD4D_0000

Watchdog Timer Clock Periods

Window Mode Restart

Restarting the timer in window mode is described in the [Window Watchdog Timer Mode](#) section.

Generic Mode Refresh

Refreshing the timer in generic mode is described in the [Generic Watchdog Timer Mode](#) section.

Signal Descriptions

The watchdog timer receives a reset from the system and a reference clock from the interconnect or MIO/EMIO. The timer generates several system interrupts and a system error reset that can be handled by the PLM or PSM firmware.

Signals to Timer

- [Reset to the Timer](#)
- [Reference Clock Signal](#)

Signals from Timer

- [System Reset Request Event](#)
- [Timer Signals to System, MIO, and EMIO](#)

Reset to the Timer

The SWDT timer can be reset by an individual or system reset from a reset controller. The individual reset controls include:

- LPD SWDT can be reset by the CRL [RST_LPD_SWDT](#) register
- FPD SWDT can be reset by the CRF [RST_FPD_SWDT](#) register

For the generic mode, the controller includes a warm reset control in the [G_Warm_Reset](#) register.

Reference Clock Signal

The watchdog timer reference clock is selected between the clock for the APB programming interface and the xxx_SWDT_CLK clock signal from the MIO (or a signal from the PL).

- LPD_SWDT_CLK
- FPD_SWDT_CLK

Independently selectable clock sources:

- APB clock,
- MIO input signal, or
- PL EMIO input signal
 - LPD EMIO clock signal: FMIOWWDTCLKIN
 - FPD EMIO clock signal: FMIOFPDWWDTCLKIN

External reference clock source. Select using:

- LPD_IOP_SLCR [SWDT_Clk_Sel](#) register
- FPD_SLCR [SWDT_Clk_Sel](#) register

System Reset Request Event

When the watchdog timer determines that the system needs to be reset, two signals indicate the system reset request event.

- Reset system error for the PSM firmware
- SWDTx_RST output signal to MIO/EMIO

Timer Signals to System, MIO, and EMIO

The IRQ numbers for the watchdog timers are listed with all other system interrupts in [IRQ System Interrupts](#).

Note: All of these signals are outputs from the watchdog timer. The system interrupts are level sensitive, active-High.

Table 142: SWDT Signals to the System, MIO, and EMIO Descriptions

Description	Window Basic Mode	Window Q&A Mode	Generic Mode	System Signal		MIO Signal Name	EMIO Signal Name
				Name	IRQ		
Main interrupt	Active-High interrupt output asserted when an interrupt bit in the Enable_and_Status register is set and not masked.	Applicable bits: [WINT], [WRP]	Enable and status for the interrupts G_CSR . [GWEN], [GWS]	LPD_SWDT_INT	81 132	Active-High: SWDT0_INT SWDT1_INT	FMIOWWDTINTERRUPT FMIOFPDWWDTINTERRUPT
				FPD_SWDT_INT			
Reset to I/O signal to MIO/EMIO	Asserted after a bad event (or when the fail counter overflows, if enabled). The controller auto disables itself (clears the [WEN] bit) and waits to receive a reset.		Asserts on second expiration of the timeout counter.	-	N/A	Active-High: SWDT0_RST SWDT1_RST	FMIOWDTRESET FMIOFPDWWDTRESET
Error signal assertion for PSM				PSM_GLOBAL.PSM_ER R2_STATUS [LPD_SWDT], [FPD_SWDT] bits		-	PSMERRORTOPL[32] PSMERRORTOPL[33]
Pending interrupt	Asserted after a bad event. The controller auto disables itself (clears the [WEN] bit) and waits to receive a reset.		Asserts on the second window timeout.	Level Interrupt: LPD_SWDT_INT_PEND FPD_SWDT_INT_PEND	101 141	Active-High: SWDT0_RST_PEN D SWDT1_RST_PEN D	FMIOWWDTRESETPENDING FMIOFPDWWDTRESETPENDING
Generic window 0 indicator	N/A		Generic timer window 0 active.	LPD_SWDT_INT_GWS0 FPD_SWDT_INT_GWS0	102 140	Active-High: SWDT0_GWS0 SWDT1_GWS0	FMIOWGWTWS0 FMIOFPDGWTWS0
Generic window 1 indicator	N/A		Generic timer window 1 active.	LPD_SWDT_INT_GWS1 FPD_SWDT_INT_GWS1	103 142	Active-High: SWDT0_GWS1 SWDT1_GWS1	FMIOWDTWS1 FMIOFPDGWTWS1

Window Watchdog Timer Mode

The window watchdog timer mode is enabled by the [Enable_and_Status \[WEN\]](#) bit. The two windowed watchdog timer modes are basic and Q&A, and the mode is selected by the [Funct_Ctrl \[WM\]](#) bit.

In both windowed modes, the timer starts with the first window defined by a 32-bit field in the [First_Wind](#) register. The first window is considered the closed window. This is followed by a second window defined by another 32-bit field in the [Second_Wind](#) register. The second window is considered the open window. The protocol to keep the watchdog timer operating correctly depends on the window mode and the optional features that are enabled. In the simplest mode, the timer is restarted during the open window time.

Normally, if software tries to restart the timer before the open window time period, a bad event occurs and the timer can generate a system interrupt or reset.

The Q&A token window mode requires the system software to write three one-byte responses during the first window (closed window) and a one-byte write in the second window (open window). The value of the token responses are based on the seed, feedback, and an answer count value. The seed and feedback values are programmed by software. The answer count value increments by one for each token response.

The window time periods are shown in the [Windowed Waveform Diagram](#). This is followed by a table in the [Features and Options](#) section.

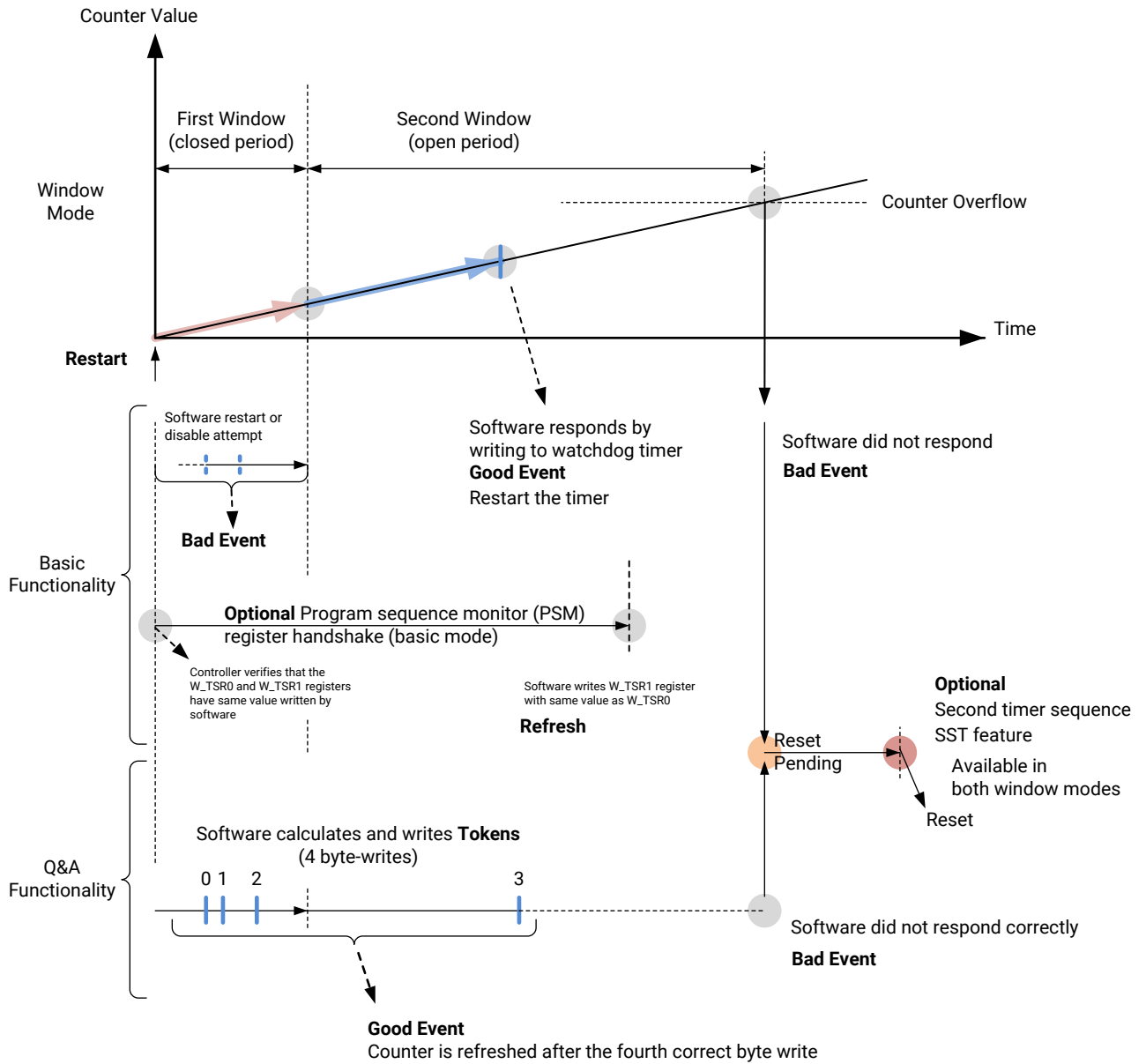
The two window timer modes include:

- [Windowed Basic Mode](#)
- [Windowed Q&A Mode](#)

Windowed Waveform Diagram

Software needs to respond to the watchdog timer within the window periods with good events. The functionality of the window mode is shown in the following figure.

Figure 83: SWDT Window Mode Functional Waveform



X25655-101121

Features and Options

The features and options along with the window mode activity is shown in the following table.

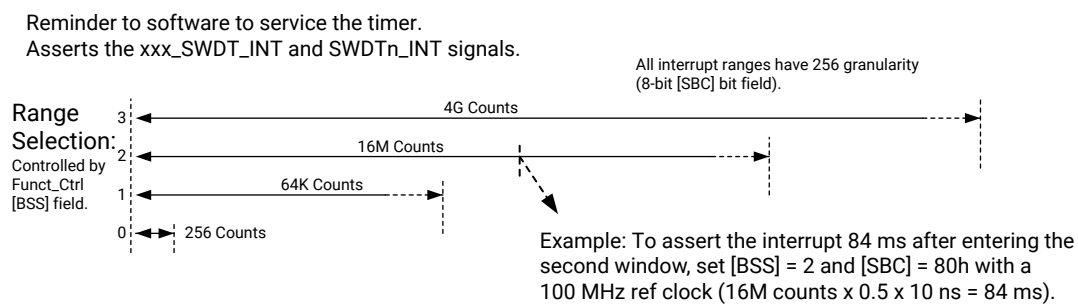
Table 143: SWDT Window Mode Features and Options

Features and Options	Basic Window Mode	Q&A Window Mode	Notes
First window	Closed window time period		See Window Watchdog Timer Mode
Second window	Open window time period		
Interrupt generator	Second window, reset request event pending, and wrong configuration		Status in the Enable_and_Status register
Second Sequence Timer (SST)	Delay with pending reset followed by reset		Option, Second Sequence Timer section
Program sequence monitor (PSM)	Simple handshake with software	N/A	Option, Basic Program Sequence Monitor section
Q&A token exchange	N/A	Complex handshake with software	See Q&A Token Response Bits Table section
Fail Counter events	Optional	Always enabled	See Fail Counter section
	Incremented when: <ul style="list-style-type: none"> Restart or disable attempted in first (closed) window TSR mismatch Second window timeout Incremented when: <ul style="list-style-type: none"> Token received early (wrong timing) Token error (wrong content) Time out (first or second window timeout) 		

Second Window Interrupt

The timing for the second window interrupt is described in the following figure.

Figure 84: SWDT Second Window Interrupt Timing



X25748-101421

Second Sequence Timer

The second sequence timer (SST) is an additional timer that can be used to delay the inevitable watchdog timer reset. This delay can be useful in applications where software needs to log the data for debug work.

The SST can be enabled in basic and Q&A window modes.

When the second sequence timer is enabled, the `xxx_SWDT_INT_PEND` system interrupt signal and the `SWDTn_RST_PEND` output signal to the MIO/EMIO remain asserted until the watchdog timer is reset.

Fail Counter

The 3-bit fail counter (FC) keeps track of the accuracy of the interactions between the software and the watchdog timer. The fail counter tracks good and bad watchdog events. For every good event, the fail counter decrements by 1 (unless it is at 0). For every bad event, the fail counter increments by 1 (unless it is at 7).

When the FC is 7 and another bad event occurs in the first window, the timer continues counting through the first window but skips the second window. If the SST [Second Sequence Timer](#) (SST) window is enabled, the pending reset event occurs followed by the eventual system reset.

When the FC is 7 and another bad event happens in the second window, the timer immediately goes to either the SST window (if enabled) or directly to asserting the system reset.

The watchdog timer can only be disabled when the fail counter is 0.

The FC reset value is 5 but can be changed by software before enabling the watchdog timer.

- FC in basic mode (optional)
 - The fail counter is enable by the [Funct_Ctrl](#) [FCE] bit
- FC in Q&A mode
 - Always enabled

The last bad event type is recorded in the [Enable_and_Status](#) [LBE] bit field. The event types are listed in the [Features and Options](#) table and in the register manual.

Windowed Basic Mode

When the timer is enabled in basic mode, the software must restart or disable the time in the open (second) window time period only. If the software is successful, it is considered a good event. If the timer gets a restart or disablement before the second window expires, it is considered a bad event and can lead to a reset.

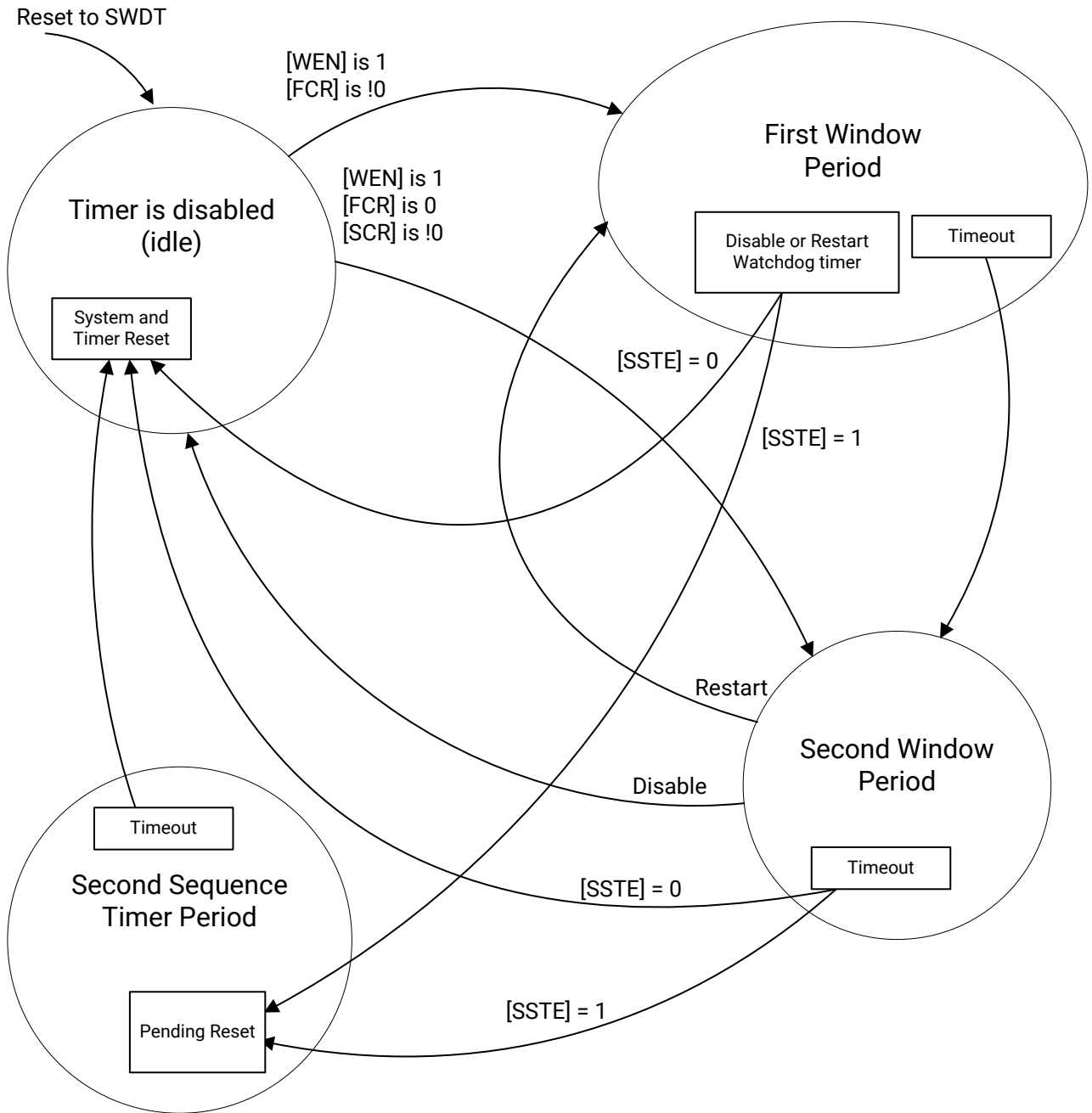
If the timer gets a restart attempt or disablement attempt in the close (first) window, it is considered a bad event. In this scenario, the timer is not disabled.

The basic window mode includes an optional program sequence monitor feature that provides a simple handshake between the software and the watchdog timer to help improve the integrity of the system.

Basic State Diagram

The state diagram for the Window Q&A mode is shown in the following figure.

Figure 85: SWDT Window Basic Mode State Diagram



X25690-101121

Basic Program Sequence Monitor

The program sequence monitor (PSM) provides an additional check to determine if the system software has executed in the expected manner without error. The PSM includes two task signature registers (0 and 1). The PSM is an option for the basic window mode only.

The program sequence begins when the software initializes the [Task_Sig0](#) register. If the task signature 0 register write completes successfully, then the software writes the same value to the [Task_Sig1](#) register during the second (open) window. When the watchdog timer restarts, it compares the two task signature registers. If the two registers do not match, then it is considered a bad event that might lead to the system reset and SWDTn_RST assertion.

Basic Window Programming Sequence

The programming steps for the basic window mode are provided in this section.

1. If required, set the [WDP] bit to enable protection against accidental clearing of the [WEN] bit. The [WDP] bit does not affect being able to set the [WEN] bit to = 1.
2. Configure the two window count registers [First_Wind](#) and [First_Wind](#) according to the requirements of the application.
3. Set the interrupt position in the second window according to the requirements using the [Funct_Ctrl](#) [SBC] and [BSS] bit fields. Refer to the top of the [Windowed Waveform Diagram](#) or the explanation in the register manual.
4. If required, enable the [Fail Counter](#).
5. If required, enable the [Basic Program Sequence Monitor](#), PSM.
6. If required, enable the [Second Sequence Timer](#), SST.
7. If the PSM is enabled, write to the [Task_Sig0](#) register, TSR.
8. Enable the watchdog timer by setting the [Enable_and_Status](#) [WEN] bit = 1. This auto-clears the [WProt](#) [MWC] bit to make the address space read-only and generates the first restart of the watchdog timer.

After completing the first window, the watchdog enters in the second window period and the timer sets the [Enable_and_Status](#) [WSW] bit. Software might generate the next restart (or it might disable the watchdog timer) any time after the [WSW] bit is set.

The [Task_Sig1](#), TSR1, register can be written any time irrespective of whether the [WSW] bit is set or not (enable [MWC], write [Task_Sig1](#), and disable [MWC]). The TSR0 and TSR1 register comparison is done at the restart or disable event if the PSM is enabled.

9. Wait for the watchdog system interrupt.
10. Enable the [MWC] and restart or disable the watchdog according to the requirement:
 - clear [WINT], [WSW], or
 - clear [WINT], [WSW], [WDP], [WEN]
 - If software attempts to restart or disable the watchdog in the first window, it is considered a bad event. The disable request is not honored.
 - If software does not restart or disable the watchdog before the second window ends, it is considered a bad event.

- If a PSM is enabled and a TSR mismatch was detected at the restart or disable time in the second window, it is considered a bad event. If the PSM is disabled, the TSR values are not compared.
- If the fail counter is disabled, a single bad event leads to the subsystem reset. The [LBE] bit field stores the last bad event. The [LBE] bit field can be cleared by asserting a reset to the watchdog timer.
- If the [Second Sequence Timer](#) is enabled, then the assertion of the subsystem reset is delayed.
- If software restarts/disables the watchdog in the second window, it is considered a good event.
- If the fail counter is enabled, a good event decrements the fail counter by 1 unless it is 0, and a bad event increments the fail counter by 1 unless it is 7.
- If the fail counter is 7 and a bad event occurs, this leads to the subsystem reset. The assertion is delayed if the [Second Sequence Timer](#) is enabled with the [SSTE] bit.
- The [Fail Counter](#) status can be read by reading the [Enable_and_Status](#) [FCV] bit field.

11. If the watchdog is restarted, it starts with a new cycle with the first window.

Note: After generating the system reset, the watchdog timer stops running and the [WEN] bit auto-clears.

Windowed Q&A Mode

The Q&A token window mode requires the system software to write three one-byte responses during the first window (closed window) and a fourth byte write in the second window (open window). The value of the token responses are based on the seed, feedback, and an answer count value. The seed and feedback values are programmed by software.

The watchdog timer generates seed and feedback tokens and places them in the `enable_and_status` [TVAL] bit field that is read by software to calculate the four one-byte responses that are written as four different APB write transactions into the TRR register.

A good event occurs if the three correct response bytes are written in the first window in correct order followed by writing the last response byte in the second window. When the response bytes are not written in the correct order, in the correct window period, or with the correct value, it is considered a bad event.

The token answer to each question is four byte data that needs to be written byte after byte (MSB to LSB) into the TRR register. The first three writes must occur in the first window time and the last write must occur in the second window.

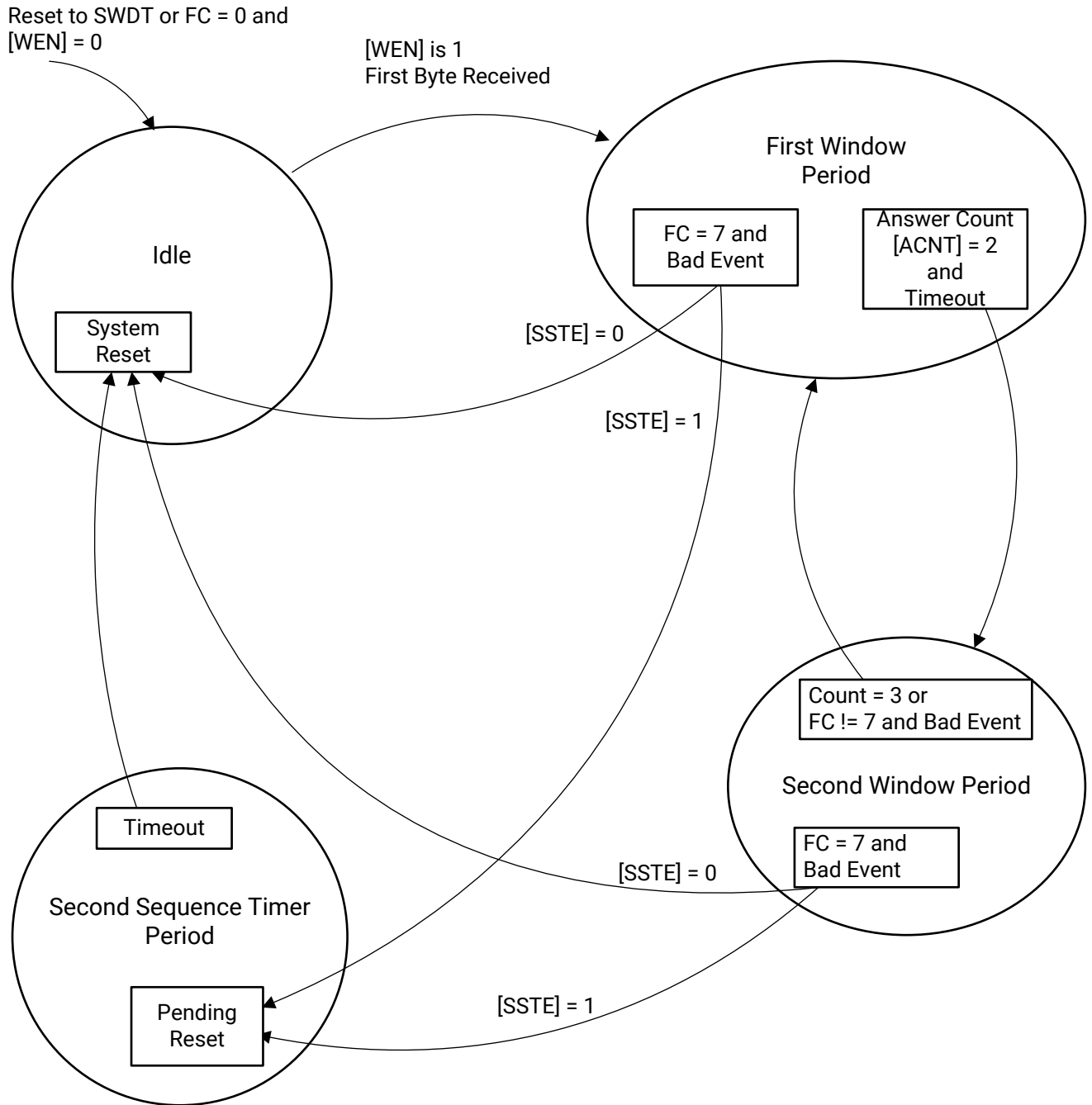
Note: In Q&A mode, the fail counter is always enabled and the timer can be disabled only if the fail counter value is 0.

The Q&A feature provides this challenge-response feature. The timer has a set of 32-bit registers that contain the expected response. The responses are computed at boot time and programmed into the timer. Each time the timer is cleared a new question index is loaded into the "challenge" register. The software computes the response and places it in the response register and then clears the watchdog. The timer checks the response against the register value referenced by the question index. If a value does not match, the timer reset system error signal is asserted in the PSM error aggregate module (EAM).

Q&A State Diagram

The state diagram for the window Q&A mode is shown in the following figure.

Figure 86: SWDT Windowed Q&A Mode State Diagram



X25694-092821

Q&A Programming Sequence

The Q&A programming sequence includes:

1. If required, set WDP bit (to enable protection against accidental clearing).

2. Configure the first and second window count registers according to the application requirements.
3. Set the interrupt position in the second window using the [Funct_Ctrl](#) [SBC] and [BSS] bits.
4. If required, enable the second sequence timer function using the [SSTE] bit. The fail counter is always enabled and the [PSME] bit has no meaning in Q&A mode.
5. Programmed the seed value into the [Token_FB](#) [SEED] bit field.
6. Program the first feedback[configuration into the [Token_FB](#) [FDBK] bit field.
7. Program the watchdog mode using the [Funct_Ctrl](#) [WM] bit.
8. Enable the watchdog timer using the [Enable_and_Status](#) [WEN] bit.
9. Enable register write protection by setting the [WProt](#) [MWC] bit = 1 and write the [Token_Resp](#) [ANS] register field to start the first question-answer sequence:

After window mode is enabled, a write response to the [Token_Resp](#) [ANS] register field triggers the start of the first window. Each Subsequent token-response sequences start after a correct answer to the previous sequence run.

The default value of the [Enable_and_Status](#) [ACNT] field is “00” and after step 9, this field updates to “11.”

Step 9 also takes into account the first feedback configuration for the first time. Subsequently, feedback configuration updates are considered at each new sequence run.

The first token-response is presented to the [Enable_and_Status](#) register after step 9. Subsequent tokens are presented at each new sequence run.

10. Write three correct responses to the [Token_Resp](#) register within the first window interval. The first window always completes. The second window starts if the watchdog has received three correct responses in the first window.
11. Wait for the watchdog system interrupt in the second window. Token early, [Enable_and_Status](#) [TERL] bit.
12. Change the token feedback configuration if required.
13. Write the last response during the second window. This ends the seconds window interval early.

Note: The second window might time out in the absence of any response, expire waiting for the fourth (last) correct response, or finish earlier than the programmed value after receiving the fourth (last) correct response.

If it times out or expires, the watchdog restarts with the first window and expects the same question-answer sequence (i.e., the question cannot be changed by token feedback configuration).

The [Enable_and_Status](#) [ACNT] bit does not change with an incorrect response. Each incorrect response is considered a bad event and increments the fail counter. With a correct byte response, the [ACNT] status updates to “11.”

There can be more than one response possible in the second window due to incorrect responses.

14. The next question is presented in the [Enable_and_Status](#) register.

15. Repeat steps 10-13.

16. After enabled in Q and A mode, the window mode can be disabled only when the fail counter is zero. An attempt to disable the watchdog does not change the fail counter in Q and A mode.

Note: After generating the SWDT_RESET, the watchdog stops running and the [WEN] bit auto-clears.

The response conditions are summarized in the following table. In most cases, the fail counter [FCV] either increments (+1) for a good event or decrements (-1) for a bad event. If the fail counter is 7 and an bad event occurs, then a system reset is put into motion. If [ACNT] does not advance, then it stays at the same count.

Q&A Token Response Bits Table

There are eight response bits for each byte-write to the watchdog timer. The response bit is calculated using a modulus-2 based arithmetic to get a single bit result (example: $1 \oplus 1 \oplus 1 = 1$).

- The 4-bit feedback value is from the [Token_FB](#) [FDBK] bit field.
- The 4-bit token value is from the [Token_FB](#) [TVAL] bit field.
- The 2-bit count value is from the [Enable_and_Status](#) [ACNT] bit field.

Software writes the 8-bit response value in proper succession to the [Token_Resp](#) [ANS] bit field.

Table 144: SWDT Q&A Token Response Value Calculations

Response Value	Feedback [1:0] Value			
	00	01	10	11
Bit 0	Count[1] \oplus Token[0] \oplus Token[3]	Count[1] \oplus Token[0] \oplus Token[1]	Count[1] \oplus Token[1] \oplus Token[2]	Count[1] \oplus Token[2] \oplus Token[3]
Bit 1	Count[1] \oplus Token[0] \oplus Token[1] \oplus Token[2]	Count[1] \oplus Token[0] \oplus Token[1] \oplus Token[1]	Count[1] \oplus Token[2] \oplus Token[1] \oplus Token[1]	Count[1] \oplus Token[1] \oplus Token[3] \oplus Token[3]
Bit 2	Count[1] \oplus Token[0] \oplus Token[1] \oplus Token[3]	Count[1] \oplus Token[0] \oplus Token[1] \oplus Token[1]	Count[1] \oplus Token[2] \oplus Token[1] \oplus Token[1]	Count[1] \oplus Token[1] \oplus Token[2] \oplus Token[3]
Bit 3	Count[1] \oplus Token[0] \oplus Token[2] \oplus Token[3]	Count[1] \oplus Token[0] \oplus Token[1] \oplus Token[3]	Count[1] \oplus Token[1] \oplus Token[2] \oplus Token[3]	Count[1] \oplus Token[3] \oplus Token[3] \oplus Token[3]

Table 144: SWDT Q&A Token Response Value Calculations (cont'd)

Response Value	Feedback [1:0] Value			
	00	01	10	11
Bit 4	Count[0] ⊕ Token[1]	Count[0] ⊕ Token[0]	Count[0] ⊕ Token[2]	Count[0] ⊕ Token[3]
Bit 5	Count[0] ⊕ Token[3]	Count[0] ⊕ Token[0]	Count[0] ⊕ Token[1]	Count[0] ⊕ Token[2]
Bit 6	Count[0] ⊕ Token[0]	Count[0] ⊕ Token[1]	Count[0] ⊕ Token[2]	Count[0] ⊕ Token[3]
Bit 7	Count[0] ⊕ Token[2]	Count[0] ⊕ Token[0]	Count[0] ⊕ Token[1]	Count[0] ⊕ Token[2]

Generic Watchdog Timer Mode

The function of the generic watchdog is to count for a fixed period of time, during which it expects to be refreshed by system software indicating normal operation. If a refresh occurs within the watch period, the counter is refreshed. If the software refresh does not occur, then the watch period expires, a signal is raised, and a second watch period starts.

The initial signal is typically wired to an interrupt and alerts the system software. The system software can attempt to take corrective action that includes refreshing the watchdog within the second watch period. If the refresh is successful, the system returns to the previous normal operation. If it fails, the second watch period expires, and a second signal is generated. The signal is fed to a higher agent as an interrupt or reset for it to take executive action.

The watchdog uses the generic timer counter as the timebase for determining when to trigger an interrupt.

Refreshing the Timer

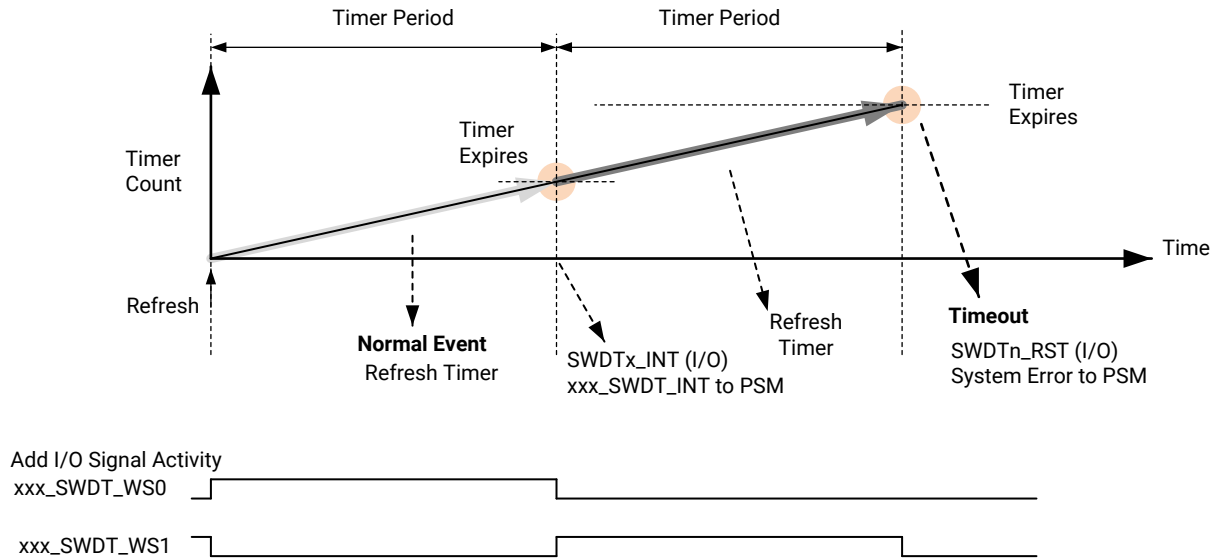
The watchdog refresh event occurs when any of these registers are written to:

- [G_Refresh](#) [GWRR] register
- [G_Offset](#) [GWOR] register
- [G_CSR](#) register

Generic Waveform Diagram

The SWDT generic mode functional waveform is shown in the following figure.

Figure 87: SWDT Generic Mode Functional Waveform



X25661-092021

Generic Programming Sequence

The programming sequence for the generic watchdog mode includes:

1. Set the [G_Offset](#) [GWOR] register field to configure the window period.
2. Set the [G_Ctrl_Status](#) [GWEN] bit to enable the generic watchdog timer, which starts the first window.
3. Software might generate the explicit refresh by writing to any one of the following:
 - [G_Refresh](#)
 - [G_Offset](#)
 - [G_CSR](#)
4. If the explicit refresh is not received before the timeout of the first window, the [GWS\[0\]](#) bit is set and [gwdt_ws0](#) is asserted, which starts the second window.
5. If the explicit refresh is not received before the timeout of the second window, the [GWS\[1\]](#) bit is set and [gwdt_ws1](#) is asserted.
6. [GWS\[0\]](#) and [GWS\[1\]](#) remain asserted until an explicit refresh or watchdog reset occurs.

Register Reference

The SWDT related registers are summarized in these sections.

- [Timer Register Set](#)
- [System-Level Registers](#)

Timer Register Set

The register modules for the SWDTs are located at these base addresses:

- LPD SWDT 0xFF12_0000
- FPD SWDT 0xFD4D_0000

The registers are summarized in the following table.

Table 145: SWDT Timer Register Set

Register Name	Offset Address	Access Type	Description
Common Registers			
WProt , MWR	0x0000	RW	Window registers write access control
Enable_and_Status , ESR	0x0004	R, RW, W1C	Enables and interrupt status
Funct_Ctrl , FCR	0x0008	RW	Function control
IER IDR IMR	0x0030 0x0034 0x0038	W W R	Interrupt enable, disable, and mask.
Window Timer Registers			
First_Wind , FWR	0x000C	RW	First window count
Second_Wind , SWR	0x0010	RW	Second window configuration
SST_Count , SSTWR	0x0014	RW	Load the second sequence timer (SST) count value
Task_Sig0 , TSR0	0x0018	RW	Task signature reg 0
Task_Sig1 , TSR1	0x001C	RW	Task signature reg 1
SST_Read , STR_WWDT	0x0020	R	Read the current value of the second sequence timer (SST) up counter
Token_FB , TFR	0x0024	RW	Token feedback
Token_Resp , TRR	0x0028	RW	Token response
Generic Timer Registers			
G_Refresh , GWRR	0x1000	RW	Generic watchdog refresh
G_CSR , GWCSR	0x2000	RW, R	Generic watchdog control and status
G_Offset , GWOR	0x2008	RW	Generic watchdog offset
G_Warm_Reset , GW_WR	0x2FD0	RW	Generic watchdog warm reset

System-Level Registers

Reference Clock Source Select

The reference clock source can be from the APB programming clock, the PL EMIO, or the MIO pins. Select between the APB programming interface clock and the MIO/EMIO input clock using:

- LPD SWDT reference clock select: LPD_IOP_SLCR.[SWDT_Clk_Sel](#) register
- FPD SWDT reference clock select: FPD_SLCR.[SWDT_Clk_Sel](#) register

I/O Signal Routing

The watchdog timer I/O signals are routed through the PMC or LPD MIO pins or by default to the EMIO. These are described in the [I/O Signal MIO and EMIO](#) table. MIO/EMIO routing is described in the [Multiplexed I/O Signals and Pins](#) chapter.

System Reset Registers

Each SWDT has an individual reset control.

- LPD SWDT reset control: CRL.[RST_LPD_SWDT](#) register
- FPD SWDT reset control: CRF.[RST_FPD_SWDT](#) register

For high-level resets, see [Resets Overview](#). The PSM firmware determines which system-level reset is asserted.

SWDT I/O Signals

There are six SWDT signals available via the MIO and EMIO. The I/O signals need to be routed as a group to the MIO or EMIO. These signals are described in the following sections:

- [Signal Descriptions](#) section of the system perspective section
- [I/O Signal MIO and EMIO](#) (below)

The signals are also included in the [MIO-at-a-Glance](#) table.

The prefix on the I/O signal names are mapped to the watchdog timer instances as follows:

- SWDT0 is LPD_SWDT
- SWDT1 is FPD_SWDT

I/O Signal MIO and EMIO

The SWDT I/O signals are available on the PMC and LPD MIO pins as shown in the following table. The signals are described in the [Signal Descriptions](#) section.

Table 146: SWDT Controller I/O Signals

Signal Name	I/O	MIO						MIO-at-a-Glance Table	EMIO	
		PMC MIO Pin				LPD MIO			Signal Name	I/O
		A	B	C	D	E	F			
SWDT0_CLK SWDT1_CLK	I	0 6	12 18	26 32	38 44	0 6	12 18	0		I
SWDT0_RST SWDT1_RST	O	1 7	13 19	27 33	39 45	1 7	13 19	1		O
SWDT0_RST_PEND SWDT1_RST_PEND	O	2 8	14 20 or 21	28 34	40 46	2 8	14 20	2		O
SWDT0_INT SWDT1_INT	O	3 9	15 na	29 35	41 47	3 9	15 21	3		O
SWDT0_GWS0 SWDT1_GWS0	O	144 10	16 22	30 36	42 48	4 10	16 22	4		O
SWDT0_GWS1 SWDT1_GWS1	O	5 11	17 23	31 37	43 49	5 11	17 23	5		O

Memory

The following chapters describe the integrated RAM in the PMC and PS:

- [Overview](#)
- [On-Chip Memory](#)
- [Battery-Backed RAM](#)
- [Accelerator RAM](#)
- [External Memories](#)
- [Embedded Addressable Memories](#)
- [Small Storage Elements](#)

Overview

The various memories summarized in this section provide an accounting for security and safety-critical applications.

Memory Controllers

There are several types of memory controllers:

- DDR memory on NoC (see *Versal ACAP Programmable Network on Chip and Integrated Memory Controller LogiCORE IP Product Guide (PG313)*)
 - DDR4 and LPDDR4
 - One or more 64-bit interfaces with 8-bit ECC
- High-bandwidth memory (HBM) silicon option
- [Section XIII: Flash Memory Controllers](#) in PMC (OSPI, QSPI, SD/eMMC)

On-Chip Memories

There are several on-chip memories:

- [On-Chip Memory](#) in LPD
- [Battery-Backed RAM](#) in PMC
- [Accelerator RAM](#) in LPD (device option)
- [Embedded Addressable Memories](#)
 - PPU RAM for PLM code and data
 - PMC RAM for boot image files and other data structures
 - RPU tightly-coupled memories (TCMs)
 - APU L2-cache RAM

PL Building-Block Memories

On-chip memories can be instantiated in the PL using building block memories:

- Block RAM
- UltraRAM

- Distributed RAM

Small Storage Elements

For safety, many small storage memory elements include parity or ECC:

- [Small Storage Elements](#)

Data Retention

The following memories include a data retention mode:

- 256 KB OCM
- 4 MB accelerator RAM
- RPU TCMs
- APU L2-cache
- DDR memory

On-Chip Memory

The on-chip memory (OCM) contains 256 KB of memory that is accessible with its 128-bit AXI interface port. The OCM also includes ECC memory data protection.

The 256-bit memory array provides high bandwidth for AXI read and write transactions. Optimal bandwidth is achieved when the read and write accesses are a multiple of 256 bits with 256-bit address alignment. The OCM controller implements a read-modify-write function to accommodate writes that are not 256 bits in size or are not aligned to a 64-bit boundary.

The OCM controller arbitrates between the read and write channels. The OCM has eight exclusive access monitors that can simultaneously keep track of up to eight exclusive access transactions.

Accesses to the OCM are protected by the OCM_XMPU protection unit. It divides the OCM memory space into 64 memory blocks of 4 KB each. Each block is assigned security attributes independently.

The OCM is accessible via the LPD OCM switch, which includes the two Cortex-R5F processors, and others with access to the LPD or FPD main switches. Memory accesses from the RPU are treated with a higher priority than memory transaction requests from others.

Coherency

The OCM is normally accessed by the RPU, however, it can also be accessed by the APU. In cases where both the APU and the RPU use the OCM, and the APU caches the OCM memory range, the RPU can snoop the APU cache to maintain I/O coherency by routing the transaction through the FPD CCI. The APU cannot snoop the RPU caches if the RPU caches the OCM memory range.

Features

The OCM RAM and controller provide:

- 256 KB of high-speed, low-latency memory
- Optimized for RPU accesses
- 64-bit ECC with single-bit error correction and two-bit error detection
- Exclusive access requests (up to eight outstanding transactions)

- Memory protection via the OCM_XMPU with system management ID (SMID) and TrustZone
- Error reporting and injection
- Four memory banks with separate power islands

Comparison to Previous Generation Xilinx Devices

The OCM in the Versal® device is similar to the Zynq® UltraScale+™ MPSoC.

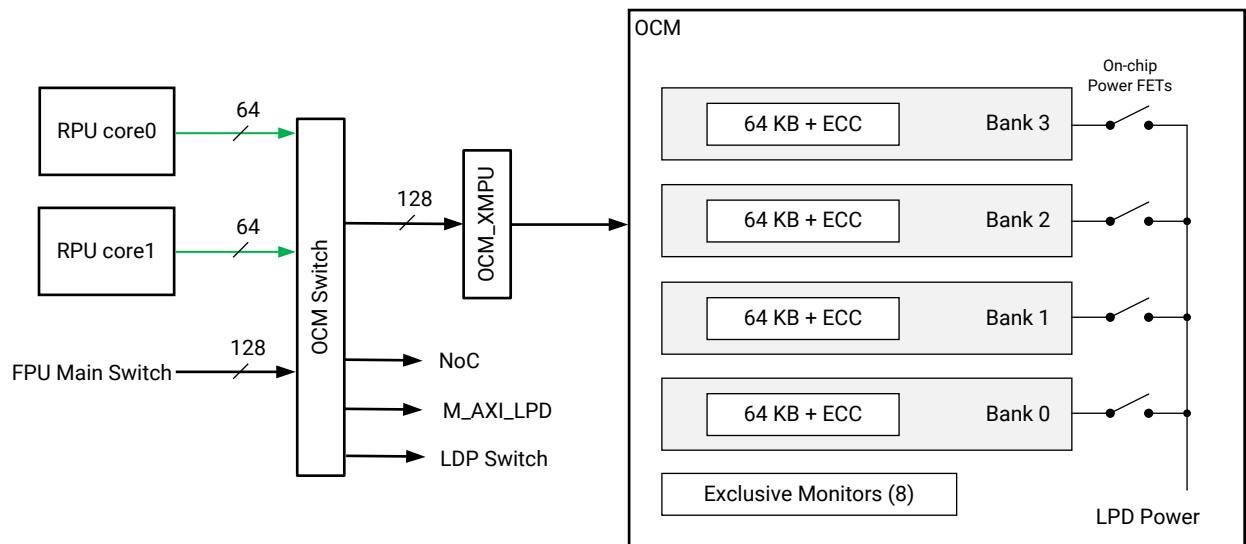
System Perspective

The on-chip memory is attached to the LPD OCM switch.

Block Diagram

The OCM high-level block diagram is shown in the following figure.

Figure 88: OCM High-level Block Diagram



X23883-050820

States

Software must not access a bank that is powered down or in data retention.

Power

Each memory bank has on-chip FETs to control the bank's power using control register bits. See [PSM Service Requests](#) for a list of power requests.

Data Retention

The OCM memory retention state is accessible by the PMC_GLOBAL.AUX_PWR_STATE register.

Address Map

The address range assigned to the OCM memory exists in the higher 256 KB in the 4 GB address map (32-bit addressing). This cannot be modified.

The 256 KB RAM array is mapped to a high address range (0xFFFC_0000 to 0xFFFF_FFFF) in a granularity of four independent 64 KB banks. Each bank is on a separate power island controlled by the PMC. The mapping summary is listed in the following table.

Table 147: OCM Memory Bank Mapping

Memory Bank	Address Range	Size
0	0xFFFC_0000 to 0xFFFC_FFFF	64 KB
1	0xFFFD_0000 to 0xFFFD_FFFF	64 KB
2	0xFFFE_0000 to 0xFFFE_FFFF	64 KB
3	0xFFFF_0000 to 0xFFFF_FFFF	64 KB

Memory Address Protection

The OCM memory is protected by the OCM_XMPU protection unit using SMID, TrustZone status, and address ranges that are configured as read and/or write.

The XMPU defines 16 address regions where each region is configured for read or write protection for a set of SMIDs, and it can be configured as a secure or non-secure TrustZone region. The base address and upper address for each region is defined with a 4 KB granularity.

If a write, SMID, or TrustZone violation occurs, the XMPU returns an APB bus error signal back to the interconnect. Valid data is not returned to the source on a read operation and no data is written to the OCM on a write operation.

ECC Protection

The 64-bit ECC protection applies to both AXI interfaces. If all eight bytes are being written, a new ECC value is generated (on per 64-bit aligned basis) and written to the ECC part of memory. If a sub-64 bit write transaction is requested (less than 8 bytes), the controller reads the associated 64-bit data from the RAM, modifies it, and writes it back with a new ECC value. If the read part of the read-modify-write sequence detects an uncorrectable error, the write is not performed and the controller responds by asserting the APB bus error signal back to the source.

Error Reporting

If a correctable/uncorrectable error is detected during read, the read address is captured in the OCM controller. For a correctable error, an optional system interrupt can be generated. For uncorrectable errors, a SLVERR response is generated.

Subsequent errors generate an error signal and a SLVERR response, but if the previous read error address is not cleared by software, then any follow-on read error address is lost.

Error Injection

Software can inject 1-bit or 2-bit errors per 64-bit (an ECC word) based on register values (64+8 bits). The 72 bits are XOR-ed with data and syndrome bits being written.

ECC Operations

If errors occur due to a fault injection or other reasons, an interrupt is generated. The OCM.[APB_MISC_ISR](#) register provides the interrupt status and the cause of the error. This is a sticky register that holds the value of the interrupt until cleared by a value of 1. Read bits 6 and 7 of the status register for information on whether the error is correctable or uncorrectable.

Read Correctable Error Registers

1. Retrieve the address of the first occurrence of an access with a corrected error. Read the 18-bit [ADDR] bit field in the [CE_FFA](#) register.
2. Retrieve ECC syndrome bits of corrected error. Read [CE_FFE](#) [SYNDROME] bit field.
3. Retrieve corrected data. Read the four data words using the `ocm_csr.OCM_CE_FFD0`, 1, 2, and 3 registers.

Read Uncorrectable Error Registers

1. Retrieve the address of the first occurrence of an access with an uncorrected error. Read the 18-bit [ADDR] bit field in the [UE_FFA](#) register.

2. Retrieve ECC syndrome bits of uncorrected error. Read [UE_FFE](#) [SYNDROME] bit field.
3. Retrieve uncorrected data. Read the four data words using the [UE_FFDO](#), 1, 2 and 3 registers.

Inject Error

Errors can be injected into a RAM array.

1. Enable error response by setting the third bit of the [ERR_CTRL](#) register.
2. Enable ECC by setting the zeroth bit of the [ECC_CTRL](#) register.
3. To only detect single bit errors, set the first bit of the [ECC_CTRL](#) register. By default this bit is zero and it indicates that single-bit errors are corrected.
4. To inject an error on every write after fault injection count cycle, set the second bit of the [ECC_CTRL](#) register. If a zero is programmed for the same bit in the register, then only a single fault is injected.
5. The fault injection count must be programmed by setting the required value in the first 24 bits of the [FI_CNTR](#) register.
6. A fault can be injected into the syndrome bits using the [FI_SY](#) register. Faults in the data words can be injected using the [FI_DO](#), 1, 2, and 3 registers.
7. Interrupts can be enabled for different errors by setting the required bits of the [APB_MISC_IER](#) register.
8. Unwanted interrupts can be disabled by setting the required bits of the [APB_MISC_IDR](#) register.
9. Reading the [APB_MISC_IMR](#) register gives information regarding the type of interrupts that are masked out. This is a read-only register and reflects the settings done on the IER and IDR registers.

Battery-Backed RAM

The battery-backed RAM (BBRAM) includes 288 bits of memory for a 256-bit AES security key and 32 bits for additional information. The additional 32 bits can be left unused, used for configuration counting by the PLM, or used for user-defined purposes.

For security applications, software writes the AES key into the lower 256 bits using the eight write-only BBRAM_[0:7] registers. After writing the AES key, software writes 32 ECC bits to the BBRAM_AES_CRC register. For non-security applications, the entire BBRAM is available for general purpose storage.

Security Applications

The write to the BBRAM_AES_CRC register causes the CRC engine to read back the AES key from memory and calculate its own CRC. The BBRAM controller CRC engine calculated CRC is then compared to the software CRC to verify the AES key was written correctly to the BBRAM memory. The BBRAM_STATUS register indicates when the verification is complete and indicates the result of the CRC using the [AES_CRC_DONE] and [AES_CRC_PASS] bits, respectively.

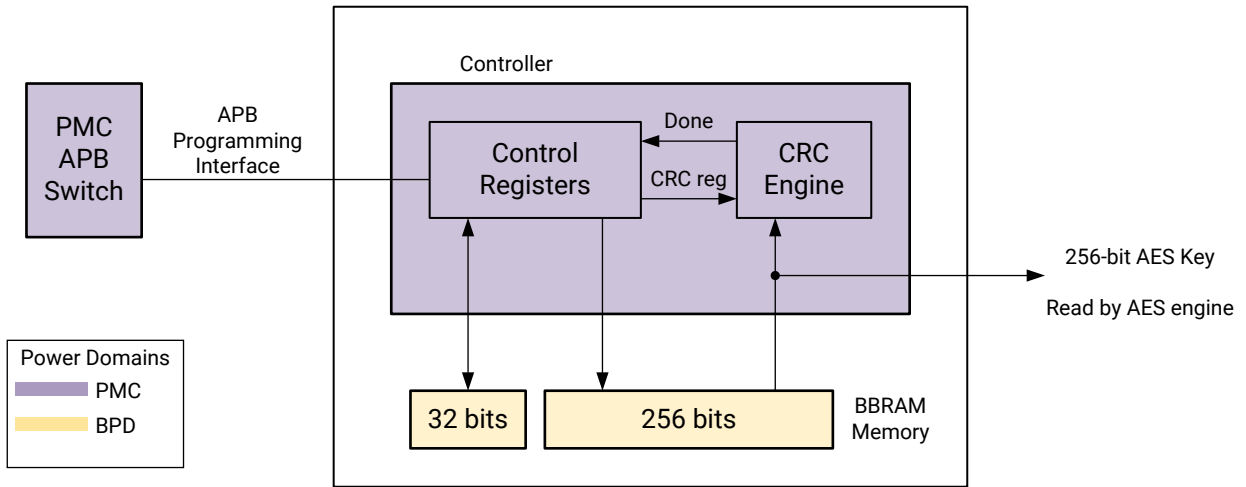
The 256-bit AES key can only be read by the AES engine. Software cannot read the 256-bit AES security key in the BBRAM.

The upper 32 bits are read/write using the BBRAM_8 register. These 32 bits can be used to store the configuration count information for the PLM. When configuration count information is not required, the 32 bits are available for user applications. The BBRAM_8 register is write protected by writing a 1 to the BBRAM_MSW_LOCK [VAL] bit. Once the bit is set, it remains set and the register becomes read-only. The PMC must be reset to clear the [VAL] lock bit.

The 256-bit AES key can be securely updated by writing to the BBRAM APB programming interface. After the key is updated, subsequent boots of the device will use the new key. Access to the BBRAM can be protected by the PMC XPPU protection unit.

The BBRAM block diagram is shown in the following figure.

Figure 89: BBRAM Block Diagram



For additional details, see the *Versal ACAP Security Manual (UG1508)*. This manual requires an active NDA to download from the [Design Security Lounge](#).

Accelerator RAM

The accelerator RAM (XRAM), when present in the device, is located in the low-power domain (LPD) of the PS. The XRAM includes one port from the OCM switch in the LPD. The XRAM also includes three ports from the PL. Each port includes a Xilinx memory protection unit (XMPU).

- Versal ACAP: 4 MB XRAM

External Memories

External memory is controlled by on-chip memory controllers:

- DDR memory controller (DDR MC)
- Flash memory controllers (QSPI, OSPI, SD_eMMC)
- High-bandwidth memory (HBM) interfaces

DDR Memory Controller

The integrated DDR memory controller (DDRMC) supports both the DDR4 and LPDDR4 memory interfaces. It can be configured with a 32-bit or 64-bit DRAM interface with or without ECC. All devices have at least one DDR memory controller, and some devices include multiple DDR memory controllers.

The controller has four NoC interface ports to handle multiple streams of traffic and supports five quality of service (QoS) classes to ensure appropriate prioritization of the memory requests. The controller accepts burst transactions and implements command reordering to maximize the efficiency of the memory interface. Reliability features include error correction, address parity, and DQS gate tracking. Power saving features include DRAM self-refresh and automatic DRAM power down.

For more information on the integrated DDRMC, see the *Versal ACAP Programmable Network on Chip and Integrated Memory Controller LogiCORE IP Product Guide* ([PG313](#)).

Flash Memory Controllers (in PMC)

The flash memory controllers are introduced in [PMC I/O Signals](#) with details in [Section XIII: Flash Memory Controllers](#).

- Quad SPI controller
- Octal SPI controller
- Two SD/eMMC controllers

High-Bandwidth Memory Interfaces

The HBM interfaces are briefly described in the [High-Bandwidth Memory Interface](#) section. The physical layout of the HBM interface is described in the [Si Interposer Design for High-bandwidth Memory](#) section.

Embedded Addressable Memories

There are several types and sizes of on-chip, embedded memory.

- PPU RAM
- PMC RAM
- RPU tightly-coupled memory (TCM)
- APU L2-cache memory

PPU RAM

The PPU RAM is 384 KB with ECC protection. The memory is used for the platform loader and manager (PLM) firmware code and data structures. It is normally only accessed by the PLM.

PMC RAM

The PMC RAM is 128 KB with ECC protection. The PMC_RAM memory is used by the PLM to store shared data structures and other purposes. It is accessible to any transaction host with access privileges. It is protected by the PMC_XMPU protection unit.

RPU Tightly-Coupled Memory

The RPU includes 256 KB of memory tightly couple memory (TCM) for predictable access latency to the Cortex-R5F processors. The TCM is divided into 6 banks with parallel interconnect to the processors. The TCM banks are described in [Tightly-coupled Memories](#).

APU L2-Cache Memory

The APU Cortex-A72 MPCore includes a 1 MB L2-cache that can be shared with processor in the PL with its own L2 cache using two-way coherency/snoop activities. The L2 cache is coupled with the CCI and SMMU to provide memory sharing and virtualization. The L2-cache is part of the APU.

Small Storage Elements

There are a few opportunities to store small amounts of data in the system.

Global Storage Registers

The PMC and PSM includes normal and persistent global storage registers. The persistent global storage registers maintain their data value through a system reset, but not a power-on reset.

- [PMC Global Registers](#)
- [PSM Global Registers](#)

Battery-Backed RAM

The battery-backed RAM (BBRAM) is in the PMC and can be used to store AES keys.

Processor Caches

The processors include caches that are protected by ECC. Errors are signaled via system errors.

- RPU
 - 32 KB instruction L1 cache with ECC protection
 - 32 KB data L1 cache with ECC protection
 - 128 KB of TCM memory with ECC protection per processor (non-cacheable)
- APU
 - 48 KB instruction cache protected with parity and includes a 48-entry fully associative TLB
 - 32 KB data cache protected with ECC and includes a 32-entry fully associative TLB

PL Memory Building Blocks

There are two types of memory building blocks in the programmable logic:

- [Block RAM](#)
- [UltraRAM](#)

Block RAM

Several of the block RAM key features are listed in this section. For additional features and functionality, see the *Versal ACAP Memory Resources Architecture Manual* ([AM007](#)).

Features

- **Synchronous Operation:** Each memory access, read, and write is controlled by the clock. All inputs, data, address, clock enable, and write enable are registered. The data output is always latched, retaining data until the next operation. An optional output data pipeline register allows higher clock rates at the cost of an extra cycle of latency. During a write operation, the data output can be made to reflect the previously stored data, the newly written data, or remain unchanged. There is independent reset control of output latches and registers.
- **Asynchronous Operation:** The data outputs can also be set or reset asynchronously. Sleep input (places array in low power state) can be optionally asynchronous.
- **True Dual-port Operation:** The block RAM has two completely independent ports that share nothing but the stored data.
- **Simple Dual-port Operation:** One port is dedicated as a write port and the other as a read port. Consequently, the data width can be extended to 72 bits for the 36 Kb full block RAM or 36 bits for the "split" 18 Kb block RAM.

Cascade mode supports all configurations available in 36 Kb RAM or 18 Kb RAM. Cascading refers to combining multiple block RAMs to build larger ones, without using additional logic resources.

Each 64-bit-wide block RAM can generate, store, and use eight additional bits to perform single-bit error correction and double-bit error detection (ECC) during the read process. The ECC logic can also be used when writing to, or reading from, external 64- or 72-bit-wide memories. Block RAM contents can be initialized or cleared by the configuration bitstream.

Comparison to Previous Generation Xilinx Devices

The block RAM has several notable differences compared to the block RAM in the UltraScale+™ device. Several features are removed, including x1, x2, x4 widths, hard FIFO (can be instantiated), address enable/compare, and systolic cascade. See the *Versal ACAP Memory Resources Architecture Manual* (AM007) for a complete list, including a few changes and enhancements.

UltraRAM

Several of the UltraRAM key features are listed in this section. For additional features and functionality, see the *Versal ACAP Memory Resources Architecture Manual* (AM007).

Features

- 32 KB of data storage, 4K x 9 bytes (64-bit data plus 8-bit ECC)
- Dual port, single-clock synchronous memory
- Cascade-able for building larger memories, dedicated column routing wires to connect adjacent UltraRAM units
- ECC on both ports with single bit error detection and correction, and double bit error detection
- Sleep power saving features
- **Synchronous Operation Only:** Each memory access, read, and write is controlled by the clock. All inputs, data, address, clock enable, and write enable are registered. The data output is always latched, retaining data until the next operation. An optional output data pipeline register allows higher clock rates at the cost of an extra cycle of latency.
- **Asynchronous Operation:** The data outputs can also be set or reset asynchronously. Sleep input (places the memory array in low-power state) can be optionally asynchronous.
- **Pseudo Dual-port Operation:** There are two ports on the memory. Each port is capable of reading or writing in a single cycle. The ports are sequenced in a fixed order, allowing up to two transactions per cycle (both ports write, both ports read, or one port reads while the other writes.) This necessitates that the two ports share a common clock. During a write operation, the data output remains unchanged on a given port. There is independent reset control of output latches and registers.

The error-correction code (ECC) logic in the UltraRAM supports real time error checking and correction. Both ports have dedicated ECC for either read or write. The ECC logic is organized for 64-bit-wide data, which can generate, store, and use eight additional bits to perform single-bit error correction and double-bit error detection during the read process.

It is possible to cascade the address and data of adjacent blocks to build deeper memories. Optional pipelining is also available to maintain the clock rate through tall cascades of UltraRAM.

Comparison to Previous Generation Xilinx Devices

The Versal device UltraRAM is very similar to the UltraRAM in the UltraScale+™ device. There are multiple UltraRAM columns distributed in the PL. Improvements include asymmetric port widths, memory initialization values, and data cascade ordering.

I/O Peripheral Controllers

The I/O peripherals (IOP) are integrated into the PMC and LPD. This section includes chapters for the following peripherals:

PMC I/O Peripherals

- [GPIO Controller](#) (one instance, two banks)
- [I2C Controller](#) (one instance)

LPD I/O Peripherals

- [GPIO Controller](#) (one instance, one bank)
- [I2C Controller](#) (two instances in LPD plus PMC and SYSMON)
- [I2C Controller](#) (special in PMC and SYSMON)
- [CAN FD Controller](#) (two instances)
- GEM [Gigabit Ethernet MAC](#) (two instances)
- [SPI Controller](#) (two instances)
- [UART Controller](#) (two instances)
- [USB 2.0 Controller](#) (one instance)

CAN FD Controller

The control area network (CAN) is a computer network protocol and bus standard designed to allow controllers and devices to communicate with each other. CAN is designed specifically for automotive applications but is also used in other applications. The CAN flexible data-rate (CAN FD) controller provides additional features with higher I/O clock frequencies and more buffering.

The controller is designed to the ISO 11898-1/2015 specification that includes backward compatibility to the CAN 2.0 specification. There are two CAN FD controllers, and both are located within the LPD IOP.

This chapter contains these sections:

- [Features](#)
- [System Perspective](#)
- [Modes and States](#)
- [Configuration Sequence](#)
- [Message Transmission](#)
- [Message Reception](#)
- [Register Reference](#)
- [I/O Signal Reference](#)

Features

The CAN FD controller features include the following:

Protocol

- Standard CAN 2.0 frames specified in ISO specification 11898-1:2015
- CAN FD protocol features
 - 64-byte frames
 - Flexible data rates up to 8 Mb/s

- Normal data rates up to 1 Mb/s

Controller Features

- TX delay compensation of up to three data bits
- TX mailbox buffers, 32
- TX event buffer
- RX buffers, dual 64-messages deep with 32 ID filter mask pairs
- Priority message IDs, lowest ID transmitted first
- TX message cancellation
- Timestamp for TX and RX
- Separate error logging for fast data rates

Messaging Features

- Disable auto-retransmission (DAR) mode
- Disable protocol exception event mode
- Bus monitoring, snoop mode
- Sleep mode with wake-up interrupt
- Bus-off recovery
 - Auto-recovery
 - User-intervention auto-recovery
- Up to three data bit transmitter delay compensation
- Internal loopback mode

Comparison to Previous Generation Xilinx Devices

The CAN FD controller is different from the CAN controller in Zynq® UltraScale+™ MPSoCs. The architecture, features, and programming model are new, including the flexible data rate functionality.

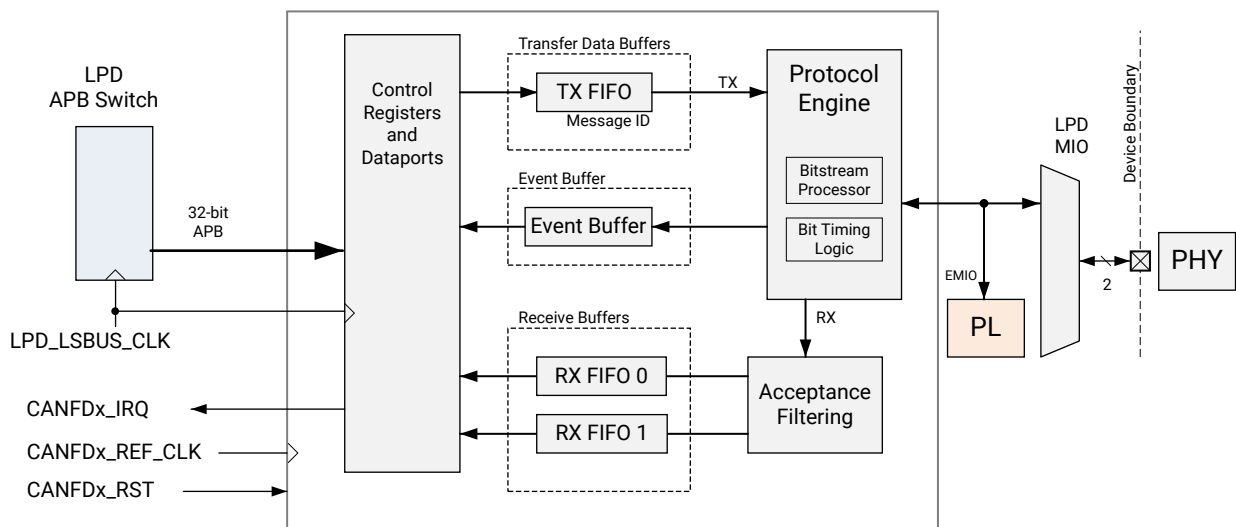
System Perspective

The main functions are divided into two independent layers as shown in the block diagram. The object layer interfaces with the LPD APB switch. The transfer layer interfaces with the external PHY. The CAN FD object layer provides a transmission and reception method to manage message buffers.

Block Diagram

The controller is divided into the object layer and transfer layer. The object layer includes the APB interface, programming registers with data ports, and the RX and TX buffers. The transfer layer connects to the I/O signals routed to the LPD MIO device pins or the EMIO interface to the PL.

Figure 90: CAN FD High-level Block Diagram



X23921-050221

Object Layer

The messaging functionality is divided into the following sections.

- **Register module:** This module allows for read and write access to the registers using the APB programming interface.
- **TX buffer management module:** The TX buffer management module (TBMM) interfaces with the protocol engine to provide the next buffer to transmit on the CAN bus. It manages the host access to the TX RAM buffer.

- **RX buffer management module:** The RX buffer management module (RBMM) interfaces with the protocol engine to provide storage for message reception from the CAN bus. It manages the host access to the RX RAM buffer.

Logical Link Layer

The messaging functionality is divided into these sections:

- [Configuration Sequence](#)
- [Loopback Modes](#)

Related Information

[PMC-PS-CPM Interconnect Diagram](#)

MAC Transfer Layer

The transfer layer provides these main functions:

- Initiation of the transmission process after recognizing bus idle (compliance with interframe space)
 - Serialization of the frame
 - Bit stuffing
 - Arbitration and passing into receive mode in case of loss of arbitration
 - ACK check
 - Presentation of a serial bitstream to PHY for transmission
 - CRC sequence calculation including stuff bit count for FD frames
 - Bit rate switching
- Reception of a serial bitstream from the PHY
 - Deserialization and recompiling of the frame structure
 - Bit de-stuffing
 - Transmission of ACK
 - Bit rate switching
- Bit timing functions
- Error detection and signaling
- Recognition of an overload condition and reaction

System Interface

The CAN FD controller has a single 32-bit APB slave programming interface.

APB Programming Interface

The programming interface provides access to the configuration, control, and status registers, as well as to data ports for the RX and TX message buffers. An overview of the controller registers is shown in [Register Reference](#).

Interface Clock

The CAN controller is clocked by the APB programming interface using the LPD_LSBUS_CLK.

System Signals

The system signals include clock, reset, interrupt, and error signals.

- [CAN FD Clocks](#) input
- [Controller Reset](#) input
- [System Interrupt](#) output
- [System Error](#) output

CAN FD Clocks

The controller receives two clocks from the PMC clock controller. These clocks are programmed by the CRL register module.

- CANFD_x_REF_CLK reference clocks
- LPD_LSBUS_CLK, see the CRL [LPD_LSBUS_CTRL](#) register

Clock frequency guidelines are included in the [I/O Peripheral Clock Frequency Requirements](#) section.

Reference Clock

The LPD clock controller provides a reference clock to each controller.

- CAN0_REF_CLK reference clock ([CAN0_REF_CTRL](#) register)
- CAN1_REF_CLK reference clock ([CAN1_REF_CTRL](#) register)

Controller Reset

The controller has one reset state that is entered when the device, PS, or LPD is reset, or by an individual reset to the controller from the LPD reset controller. The CANFD register set also includes a local reset control bit, CANFD.SRR [SRST].

For more information, see [Reset State](#).

System Interrupt

Each controller generates a level-sensitive system interrupt that is routed to the RPU and APU GICs, and proxies as listed in the [System Interrupts](#) chapter.

- CANFD0: IRQ#52
- CANFD1: IRQ#53

System Error

The APB programming interface generates an address decode error if it detects an access violation.

I/O Interface

The I/O functionality includes the two-wire CAN signals. For more information, see [I/O Signal Reference](#). An internal loopback connection can be enabled for test and debug.

The controller I/O can be routed to one of several places:

- LPD MIO pins
- PMC MIO pins
- PL EMIO port signals

Programming Model

The CAN FD controller includes a memory-mapped APB programming interface for software:

- Control and status
- Transmit data
- Receive data
- Establish autonomous monitoring and responses

The controller includes several [Modes and States](#).

Modes and States

The CAN modes and states include:

- [Reset State](#)
- [Mode Table](#)
- [Mode Transition](#)
- [Configuration Mode](#)
- [Normal Mode](#)
- [Sleep Mode](#)
- [Snoop \(Bus Monitoring\) Mode](#)
- [Loopback Modes](#)
- [Protocol Exception Event State](#)
- [Bus-Off Recovery State](#)

Reset State

The controller is reset from several sources:

- Local controller reset: CAN.SRR [SRST] bit
- Resets from the LPD reset controller
 - CANFD0_RESET ([RST_CAN0](#) [RESET] bit)
 - CANFD1_RESET ([RST_CAN1](#) [RESET] bit)
- POR and system reset comes from PMC register controls for the LPD, PS, and whole device

Each reset source has the same effect on the controller as summarized in the following table.

Table 148: CAN Reset Effects

Reset Name	Reset Type	APB Interface and Registers	Protocol Engine	Buffers and Acceptance Filters
SW_Reset [SRST]	Software	Yes	Yes	No
RST_CAN0 [RESET]				
POR or PS	Hard			

Note: Because the buffers and acceptance filters are not reset, the software needs to ensure that they are programmed appropriately before operation.

Local CAN Reset Control

Write a 1 to the [SW_Reset](#) [SRST] bit (this bit is self-clearing).

CRL Reset Control

The CRL reset is not self-clearing. Write a 1 and then write a 0 to the [RST_CAN0](#) [RESET] bit. These can be individual back-to-back writes to the programming interface.

Mode Table

The control and status bits for the controller modes are listed in the following table. These relate to the [Mode Transition](#) figure.

Table 149: CAN Controller Modes

Controller Mode	System Reset ¹	Software Reset Register (SRR)		Mode Select Register, MSR			Status Register, SR							
		Reset [bits]		Control [bits] ⁴			Status [bits]							
		SRS	CEN	LBACK	SLEEP	SNOOP	CONFIG	NORM	SNOOP	SLEEP	LBACK	BSFR	PEE	
Reset	1	x	x											
Configuration	0	1	x	x	x	x	1	0	0	0	0	0	0	
Normal ⁵		0	0	1	0	0	0	0	1	1	1	1	0	0
Snoop ⁵					0	0	1							
Sleep					0	1	0							
Loop back					1	0	0							
BSFR ²					0	x	0							
PEE ³					0	x	x							

Notes:

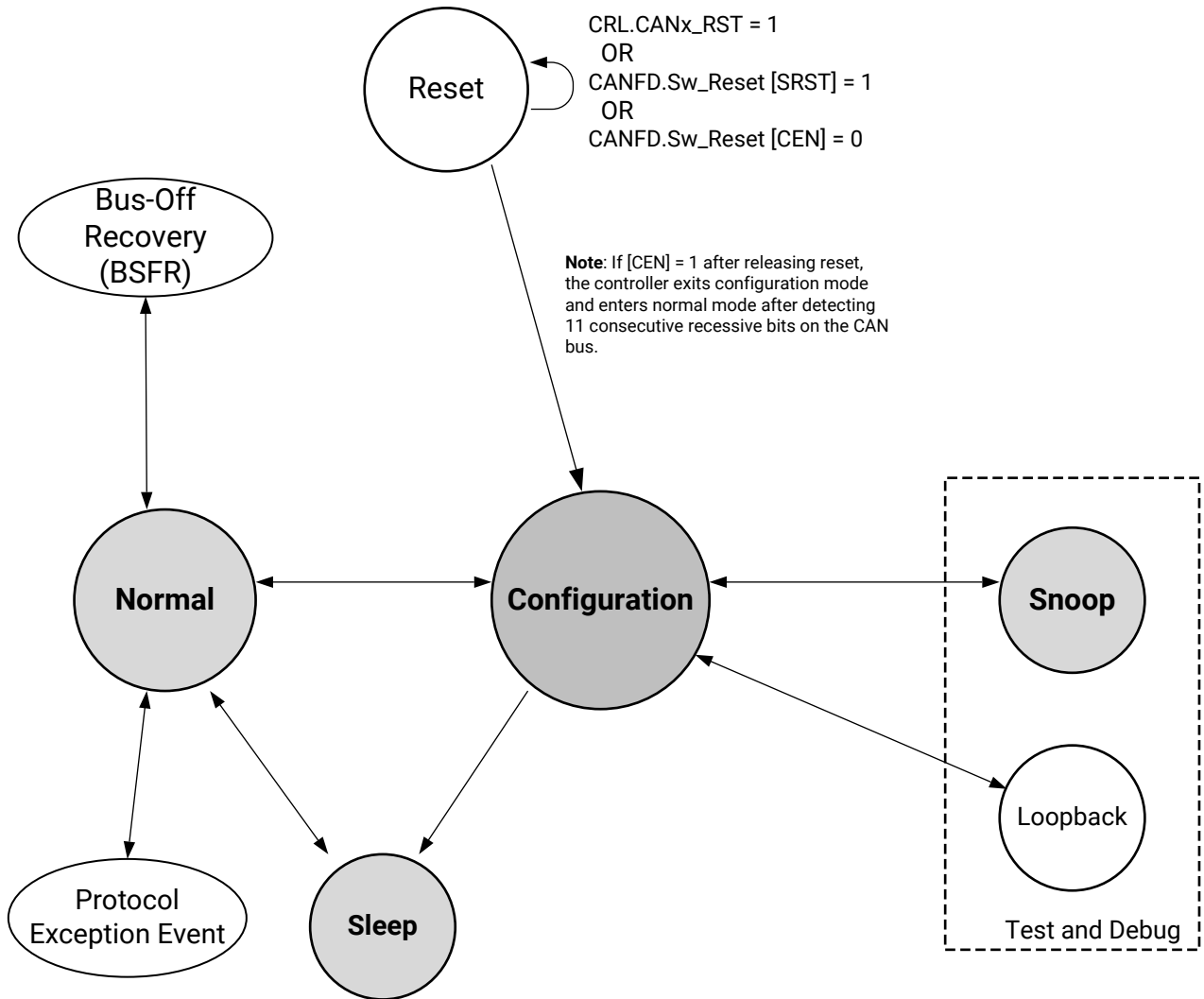
1. A hard system reset can be generated by the LPD reset controller using the CRL_RST_CANx [RESET] or one of multiple system-level resets.
2. The transition to bus-off state depends on the transmit error count value as per standard specification. The recovery from bus-off state depends on the MSR [SBR] and [ABR] settings as per respective bit behavior descriptions. Bus-off recovery can be tracked through status bit [BSFR_CONFIG] bit and the ECR [REC] field. Entry and exit from bus-off state can generate an interrupt.
3. The transition to protocol exception event state (PEE) depends on the MSR [DPPE] bit. The controller enters and exits the PEE state as per ISO standard specification and this is reflected by the status bit SR [PEE_CONFIG]. The entry into the PEE state can generate an interrupt.
4. An "x" indicates "don't care" for control bits and has no meaning for status bits.
5. The sample point range should be 50%-80% of bit time for reliable operation.

Mode Transition

The mode transitions are shown in the following figure. The transitions are primarily controlled by the resets, Sw_Reset [CEN] bit, SRR register settings, and a hardware wake-up mechanism.

The mode transition conditions are shown in the [Mode Table](#).

Figure 91: CAN Mode Transition Diagram



XZ3127-112020

Configuration Mode

The configuration mode is normally entered following reset, but can also be entered from several other modes including normal, snoop, sleep, and loopback. If the controller needs to move from the BSFR or PEE state, a system reset is required.

Configuration Mode Characteristics

The CAN FD has the following configuration mode characteristics:

- Controller loses synchronization with the CAN bus and drives a constant recessive bit on TX line.

- Error Counter register ([Error_Count](#)) and Error Status register ([Error_Status](#)) are reset.
- [ArbPhase_BitTiming](#)) and [ArbPhase_BaudRate](#) registers can be modified.
- Set the [APB_MISC_ISR](#) [CONFIG] bit = 1.
- Controller does not receive or transmit any new messages.
- All configuration registers are accessible.
- If there are messages pending for transmission when the [SW_Reset](#) [CEN] bit is written 0, the controller does not transmit any messages and:
 - TX messages are preserved unless canceled; message cancellation is allowed.
 - TX messages are transmitted when normal operation is resumed.
 - New TX messages can be added for transmission (provided the [Mode_Select](#) [SNOOP] is not set = 1).
- If there are RX messages in the RX buffer when [CEN] is set = 0, they are preserved until host reads them, but the controller does not receive new messages.

Interrupts

In configuration mode, the interrupt status might change.

- Interrupt Status register bits are cleared:
 - ARBLST
 - TXOK and RXOK
 - RXOFLW, RXOFLW_1
 - ERROR
 - BSOFF
 - SLP and WKUP
- Interrupt Status register bits are not cleared due to possible cancellation using:
 - TXTRS and TXCRS

Note: A system interrupt is generated if an interrupt bit is set = 1 in the [APB_MISC_ISR](#) register and the corresponding bit in the [APB_MISC_IER](#) register = 1.

Exit Configuration Mode

The controller stays in configuration mode until the [SW_Reset](#) [CEN] bit is set = 1.

- After the [CEN] bit is set to 1, the controller waits for a sequence of 11 nominal recessive bits before exiting configuration mode.

- Move the controller to normal, snoop, sleep, or loopback mode by setting one of the [Mode_Select](#) [SNOOP], [SLEEP], and [LBACK] register bits.

Normal Mode

In normal mode, the controller transmits and receives messages per industry specifications outlined in [CAN FD Controller](#).

In normal mode, the controller does not store its own transmitted messages. The controller can enter normal mode only when the snoop, sleep, and loopback modes are deselected.

Sleep Mode

The controller enters sleep mode from configuration or normal mode when the [Mode_Select](#) [SLEEP] bit is set = 1, CAN bus is idle, and there are no pending transmission requests.

The controller enters configuration mode when any configuration condition is satisfied.

When the controller wakes up, it clears the [Mode_Select](#) [SLEEP] request bit and also clears the corresponding status bit. The controller enters normal mode under the following wake-up conditions:

- [SLEEP] is set = 0
- [SLEEP] bit is = 1, bus activity is detected
- New message are posted for transmission

Interrupt bits are set when the controller enters or wakes up from sleep mode.

Snoop (Bus Monitoring) Mode

Snoop mode is used for test and debug. When in snoop mode, the controller must only be programmed to enter configuration mode or be held in reset. In snoop mode, these actions occur:

- Controller transmits a recessive bitstream onto the CAN bus
- Controller does not participate in normal bus communication
- Controller receives messages that are transmitted by other CAN nodes but does not ACK
- RX messages are stored based on acceptance filtering
- Software can program acceptance filters to dynamically enable/disable and change criteria
- Error counters are disabled and cleared to 0; reads to error counter registers return to 0



RECOMMENDED: Xilinx recommends that snoop mode be programmed only after system or software reset.

Loopback Modes

There are two loopback types:

- Self loopback: TX output from a controller is connected to its own RX input
- Controller-to-controller loopback: connects CAN controller 0 to controller 1

Self Loopback

In self-loopback mode, the controller receives the messages that it transmits using an internal circuit from its TX signal to its RX signal. The received messages are stored in receive buffers based on an ID match result. The transmissions are acknowledged to itself by the receiver. The controller also stores the received messages (based on an ID match result). In self-loopback mode, the controller is disconnected from the MIO multiplexer and pins.

This mode is normally used for diagnostics. The loopback mode is selected using the [CANFD Mode_Select \[LBACK\]](#) bit. The controller receives messages that it transmits. Received messages are stored in receive buffers based on an ID match result. The controller also stores its own transmitted messages (based on an ID match result).

The controller does not participate in normal bus communication and does not receive any messages transmitted by other CAN nodes (external TX line is ignored). It drives a recessive bitstream on the CAN bus (external TX line).

Controller-to-controller Loopback

The controller-to-controller loopback connection is selected using the [MIO_Bank2_Loopback \[CAN0_LOOP_CAN1\]](#) control bit. When the [CAN0_LOOP_CAN1] is set = 1, these connections are made:

- CAN0 TX output is connected to the CAN1 RX input
- CAN1 TX output is connected to the CAN0 RX input

Protocol Exception Event State

The controller enters the CAN FD protocol exception event (PEE) state if the controller receives the "res" bit as recessive in the CAN FD frame (provided MSR [DPEE] bit is not set = 1). The controller exits this state after detecting a sequence of 11 nominal recessive bits on the CAN bus, and as per the protocol specification, the transmit and receive error count remains unchanged in this state.

Bus-Off Recovery State

The controller enters the bus-off state if the transmit error count reaches or exceeds its terminal point. Recovery from bus-off states is governed by the auto recovery [ABR] or manual recovery [SBR] bit setting in the [Mode_Select](#) register and is done according to the protocol specification.

Note: In the case of a protocol exception or bus-off event, any pending messages/frames for transmissions must be canceled and re-queued for proper operation after recovering from these events.

Configuration Sequence


The following steps are for configuring the controller when it is powered on or after system or software reset.

1. Choose the operating mode:

Note: The sample point position programming follows the industry standard.

- Normal—write 0s to the [LBACK], [SNOOP], and [SLEEP] bits in the MSR. Write required value for [BRS] and [DAR] fields in the [Mode_Select](#) register.
- Sleep—write 1 to [SLEEP] bit and 0 to [LBACK] and [SNOOP]. Write required value for [BRS] and [DAR].
- Loopback—write 1 to [LBACK] and 0 to [SLEEP] and [SNOOP] bits. Write required value for [BRS].
- Snoop—write 1 to [SNOOP] bit and 0 to [LBACK] and [SLEEP].

2. Configure the Transfer Layer Configuration registers.

 **IMPORTANT!** For proper operation, ensure that all CAN FD nodes in the network are programmed to have the same arbitration phase bit rate, data phase bit rate, arbitration phase sample point position, and data phase sample point position.

- Program the [ArbPhase_BaudRate](#) prescale register (nominal) and the [ArbPhase_BitTiming](#) register (nominal) with the value calculated for the particular arbitration phase bit rate.
- Program the [DataPhase_BaudRate](#) and [DataPhase_BitTiming](#) registers with the value to achieve desired data phase bit rate.
 - The [DataPhase_BaudRate](#) register also contains [TDC] control field.

Note: The bit rate configured for the data phase must be higher than or equal to the bit rate configured for the arbitration phase. The Transfer Layer Configuration registers can be changed only when the [SW_Reset](#) [CEN] bit is 0.

Note: For operation with [ArbPhase_BaudRate](#) [BRP] = 0 (prescaler value = 1), set both [BRP] for nominal and data phase as 1 (register value = 0). Additionally, software needs to program the [Mode_Select](#) register bit [11] as follows (equivalent to [BRP_1_EN]):

- . Set bit [11] = 1 when [BRP] = 1
 - . Set bit [11] = 0 when [BRP] != 1
3. Configure the Acceptance Filter registers (AFR, AFMR, AFIR) to the following:
 - Write a 0 to the UAF bit in the register corresponding to the Acceptance Filter Mask and the ID register pair to be configured.
 - Write the required mask information to the Acceptance Filter Mask register.
 - Write the required ID information to the Acceptance Filter ID register.
 - Write 1 to the UAF bit corresponding to the Acceptance Filter Mask and ID register pair.
 - Repeat the steps for each Acceptance Filter Mask and ID register pair.
 - To enable RX buffer 1, arrange the Filter Mask and ID register as per the requirement. The [RXFP] field in the RX buffer Watermark register also needs to be set accordingly to a value less than 31d.
 4. Program the Interrupt Enable registers as per requirements.
 5. Enable the protocol controller by writing a 1 to [SW_Reset](#) [CEN]. After the occurrence of 11 consecutive recessive bits, the controller clears the [Status](#) [CONFIG] bit to 0 and sets other appropriate mode status bit in the Status register.



RECOMMENDED: If the [CEN] bit is cleared during the controller operation, then reset the controller, too.



RECOMMENDED: The [LBACK], [SLEEP], and [SNOOP] bits should never be set to 1 at the same time.

Message Transmission

All messages written in the TX buffer should follow the required message format for ID, DLC, and DW fields described earlier. Each [RRnn] bit in the [TxBuff_Ready_Req](#) register corresponds to a message element in the TX buffer.

Software Actions

1. Poll the [TxBuff_Ready_Req](#) register to check current pending transmission requests.
2. If all of the register bits are set, a new transmission request can be added only if:
 - a. One or more buffer transmission requests are canceled, or
 - b. One or more buffer transmission completes
3. If one or more bits of the [TxBuff_Ready_Req](#) register are unset/clear, a new transmission request can be added as follows:

- a. Prepare one or more message elements in the TX buffers (by writing valid ID, DLC, and DW fields of each message element of the respective TX buffer). If event logging is required for this message element, set the [EFC] bit in one of the [TxBuff_DLC_Msg_n](#) registers.
 - b. Enable interrupt generation as required.
 - c. Set corresponding [TxBuff_Ready_Req](#) register bits to enable buffer ready requests. The host can enable many transmission requests in one register write.
 - d. Wait for interrupt (if enabled) or poll the [TxBuff_Ready_Req](#) register to gather the request status.
4. The controller clears the [TxBuff_Ready_Req](#) register bit when a respective buffer request is completed (either due to transmission, cancellation, or DAR mode transmission).
 5. The host can read the TX event buffer to determine the message timestamps and the order of transmissions.

Note: The [APB_MISC_ISR](#) [TXOK] bit is set after the core successfully transmits a message. The [APB_MISC_ISR](#) [ARBLST] bit is set if the controller loses bus arbitration while transmitting a message. The [ERROR] bit in the [Intr_Status](#) register is set if the message transmission encountered any errors.

Controller Actions

1. The controller determines the next highest priority buffer to be transmitted. If two buffers have the same ID, the buffer with the lower index is selected.
2. If enabled, copies the ID and DLC fields to the TX event buffer and adds a message timestamp and event type.
3. Clears the respective bit in the [TxBuff_Ready_Req](#) register when the transmission request is served (either by successful transmission on the CAN bus, cancellation, or DAR-based transmission).
4. If enabled through the [TxBuff_Ready_Req_Intr_En](#) (IETRS) or [APB_MISC_IER](#) (IER) registers, then the [APB_MISC_ISR](#) [TXRRS] bit is set = 1 and an interrupt is generated.

Note: The controller accesses the message element space of a buffer in the TX buffer only if the respective bit in the [TxBuff_Ready_Req](#) register is set.

Note: The software should respect the access rule to avoid memory collisions. That is, after the software sets a buffer ready request through the [TxBuff_Ready_Req](#) register, the software should not read or write the respective message element space until the respective [RRnn] bit is in a clear/unset state.

Note: The controller updates TX event FIFO status after clearing the respective bit. It is recommended either to use the TX event FIFO watermark full interrupt or poll TX Event FIFO status register to process the TX events.

TX events status may be useful for software to determine the order of TX buffers and get the transmission timestamp for buffers. This is provided through a separate pipe (TX Event FIFO) so it is de-linked with the individual buffer transmission in the [TxBuff_Ready_Req](#). This separate FIFO should allow software to do this post-processing in batches; asynchronously with respect to individual buffer transmission.

Cancellation

Each [CRnn] bit of the TX Buffer Cancel Request ([Tx_Buff_Cancel_Req](#)) register corresponds to a message element in the TX buffer (and, consequently, corresponds to a [TxBuff_Ready_Req](#) [RRnn] bit).

Software Actions

1. Poll the [TxBuff_Ready_Req](#) register (TRR) to check current pending transmission requests.
2. Poll the [Tx_Buff_Cancel_Req](#) register (TCR) to check current pending cancellation requests.
 - a. Transmit cancellation for a buffer (TXB_i) can be requested only if there is a corresponding pending transmission request set in the TRR register.
 - b. If there is already a pending cancellation request for TXB_i, no action is required and the host should wait (by poll/interrupt) until the core serves a cancellation request for TXB_i.
3. If the TXB_i buffer has a pending transmission request but no pending cancellation request, then transmit cancellation can be requested as follows:
 - a. Enable interrupt generation as required.
 - b. Set the required TCR [CRnn] bit(s). The software can request the cancellation of multiple buffers with one write to the TCR register.
 - c. Wait for the interrupt or poll the TCR register to determine the cancellation status.
4. The controller clears the bit in the TCR register when the respective buffer transmit cancellation request is completed.
5. The controller also clears the corresponding bit in the TRR register when cancellation is performed.

Controller Actions

1. The controller performs the cancellation of a buffer immediately except:
 - a. When the buffer is locked by the transfer layer for transmission on the CAN bus. In this case, cancellation is performed at the end of the transmission irrespective of whether the transmission is successful or not (arbitration loss or error).
 - b. When the core is performing a scheduling round to find out the next buffer for transmission. In this case, cancellation is performed after the scheduling round is finished.
2. The controller clears the respective bits in the [Tx_Buff_Cancel_Req](#) and [TxBuff_Ready_Req](#) registers when cancellation is done.
3. If enabled through the [TxBuff_Ready_Req_Intr_En](#) (IETRS) or [APB_MISC_IER](#) (IER) registers, then the [APB_MISC_ISR](#) [TXRRS] bit is set = 1 (when the controller clears the bit in the [Tx_Buff_Cancel_Req](#) register) and an interrupt is generated.

Message Reception

Whenever a new message (that passes the required filtering) is stored into the RX buffer, the controller updates the respective fill level field of the [RxBuff_Status](#) register and sets the [APB_MISC_ISR](#) [RXOK] bit.

Software Actions

1. As per the requirement, program the [RxBuff_Watermark](#) register (WMR) to set full water marks and the [RXFP] field (the WMR register can be set/changed only when [CEN] = 0).
2. If required, enable [RXOK] and [RX] Overflow interrupt generation.
3. The new message availability can be determined by polling the [RxBuff_Status](#) register (FSR) or by a watermark full interrupts indication.
4. Read a new message (from RX Buffer 0 or RX Buffer 1) starting from its respective read index location (given in the FSR register field).
5. After reading the message, write the FSR register by setting the respective [IRI] bit to 1. This enables the core to increment the respective read index field by +1 and updates the corresponding fill level in the FSR register. If the fill level is 0, setting the [IRI] bit has no effect.
6. Repeat steps 3 through 5 until all messages are read from both RX Buffer 0 or RX Buffer 1.

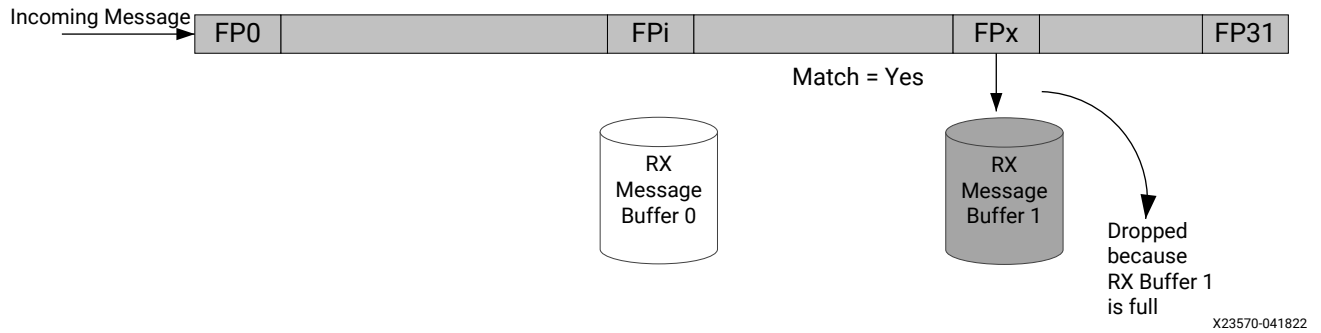
Controller Actions

1. When a message is successfully received, the core writes the timestamp and matched filtered index field of the received message element.
2. The controller increments the fill level of its respective RX Buffer in the [RxBuff_Status](#) register (FSR) by 1 after every successful receive (without error and message passes filtering scheme).
3. The fill level is also updated by the core after the host writes the [Bx_IRI] bit of the respective RX buffer in the FSR register.

Acceptance Filters

Each acceptance filter has an acceptance filter mask register and an acceptance filter ID register. There are 32 acceptance filters.

Figure 95: Message Drop When RX Buffer 1 Full and Match = Yes



X23570-041822

Note: If all UAF bits are set to 0, the received messages are not stored in any RX buffer.

★ **IMPORTANT!** Ensure proper programming of the [IDE] bit for standard and extended frames in the Mask register and ID register. If the [IDE] bit is set to 0, it is considered to be a standard frame ID check. Consequently, if the standard ID bits of the incoming message match the respective bits of the filter ID (after applying Mask register bits), the message is stored.

Disabled RX Buffer

Acceptance filtering is performed in this sequence:

1. The incoming identifier is masked with the bits in the acceptance filter mask register.
2. The `AF_ID_Reg_n` acceptance filter ID registers are also masked with the bits in the `AF_Mask_Reg_n` acceptance filter mask register.
3. Both resulting values are compared.
4. If both these values are equal, the message is stored in the RX buffer 0.
5. Acceptance filtering is processed by each of the defined filters. If the incoming identifier passes through any acceptance filter, the message is stored in the RX buffer 0.

Note: RX buffer-1 can be disabled (i.e., stop routing messages to RX buffer 1) by programming [RXFP] as `31d` (in the `RxBuff_Watermark` register).

Enabled RX Buffer

In this case, the [RXFP] field (in the `RxBuff_Watermark` watermark register) along with the Acceptance Filter (Control) register determines whether received messages are stored in RX buffer 0 or in RX buffer 1. In this case, note that the [RXFP] field should be less than `31d`.

1. The incoming identifier is masked with the bits in the Acceptance Filter Mask register.
2. The `AF_ID_Reg_n` acceptance filter ID register is also masked with the bits in the associated `AF_Mask_Reg_n` register.
3. Both resulting values are compared.

4. If both these values are equal and the matched filter index is less than equal to the [RXFP] field, the message is stored in RX buffer 0.
5. Otherwise, if both these values are equal and the matched filter index is greater than the [RXFP] field, the message is stored in RX buffer 1.

Note: The ID match process is a sequential process. It starts from the lowest enabled filter and stops at first match. Consequently, if an incoming message fulfills condition 4 but RX buffer 0 is full, the message is dropped (irrespective of RX buffer 1 status) and RX buffer 0 overflow is indicated.

Similarly, if an incoming message fulfills condition 5 and RX buffer 1 is full, the message is dropped (irrespective of the RX buffer 0 status) and RX buffer 1 overflow is indicated.

Note: If all of the [UAF] bits in the [AF_Control](#) are set to 0, the received messages are not stored in any RX buffer.

Note: Filter pair registers are stored in the RAM. The host must ensure that each used filter pair is properly initialized. Asserting a software reset or system reset does not clear these register contents.

Note: The host must initialize/update/change the filter pair only when the corresponding UAF is 0.



IMPORTANT! Ensure proper programming of the [IDE] bit in the [TxBuff_ID_Msg_n](#) register for standard and extended frames in an [AF_Mask_Reg_n](#) acceptance filter mask and [AF_ID_Reg_n](#) acceptance filter ID register. If the [IDE] bit in the mask register is set to 0, it is considered to be a standard frame ID check only. Consequently, if the standard ID bits of the incoming message match with the respective bits of the filter ID (after applying the mask register bits), the message is stored.

Register Reference

The controller is configured and data is accessed via its own register set (CANFD). The controller is also controlled by system-level registers.

- CANFD [Control and Status](#) register table.
- CANFD [Message Space Data](#) register table.
- Platform control for the clock and reset are described in the [Processing System Manager](#) section.

Control and Status

The CANFD control and status registers include:

- Status, mode, and configuration
- Errors, interrupts, and watermarks

The following table lists the CANFD Control and Status registers.

Table 150: CANFD Control and Status Registers

Register Name	Offset	Type	Description
SW_Reset	0x0000	Mix	Software reset and enable control
Mode_Select	0x0004	RW	Mode select
ArbPhase_BaudRate ArbPhase_BitTiming	0x0008 0x000C	RW	Arbitration phase baud rate pre-scaler and bit timing
Error_Count Error_Status	0x0010 0x0014	R WTC	Error counter and status
Status	0x0018	R	Bus, mode, error status
APB_MISC_ISR APB_MISC_IER APB_MISC_ICR	0x001C 0x0020 0x0024	R RW W	Interrupt status, enable, and clear
Timestamp	0x0028	R, W	Timestamp clear and count
DataPhase_BaudRate DataPhase_BitTiming	0x0088 0x008C	RW	Data phase baud rate prescalar and bit timing
TxBuff_Ready_Req TxBuff_Ready_Req_Intr_En	0x0090 0x0094	RWSO RW	TX buffer ready request and interrupt enable
Tx_Buff_Cancel_Req TxBuff_Cancel_Req_Intr_En	0x0098 0x009C	RWSO RW	TX buffer cancellation request and interrupt enable
TxEvent_FIFO_Status TxEvent_FIFO_Watermark	0x00A0 0x00A4	R, W RW	TX event buffer status and watermark
AF_Control	0x00E0	RW	Acceptance filter enable
RxBuff_Status RxBuff_Watermark	0x00E8 0x00EC	R, W RW	RX buffer status and watermark

Message Space Data

The message space includes:

- 32 TX buffers
- 32 RX ID filter-mask pairs
- 32 TX event buffers
- 64-deep message RX buffers

The following table provides CANFD message space register information.

Note: This memory space is implemented in RAM. After a reset, the contents are not cleared, but should be considered invalid.

Table 151: CANFD Message Space

Name	Register Count	Access Type	Description
32 TX Buffers - ID, DLC and 16 data words			
TxBuff_ID_Msg_n	32	RW	IDs: TxBuff_ID_Msg_{0:31}, addr step = 0x48
TxBuff_DLC_Msg_n	32	RW	DLCs: TxBuff_DLC_Msg_{0:31}, addr step = 0x48
TxBuff_DW00_Msg_n	512	RW	Data: TxBuff_DW{0:15}_Msg_{0:31}, step = 0x48
32 RX Acceptance Filter - Mask and ID			
AF_Mask_Reg_n	32	RW	Masks: AF_Mask_Reg_{0:31}, addr step = 0x08
AF_ID_Reg_n	32	RW	IDs: AF_ID_Reg_{0:31}, addr step = 0x08
32 TX Event FIFO - ID and Data Length Codes			
TxEvent_ID_Reg_n	32	R	IDs: TxEvent_ID_Reg_{0:31}, addr step = 0x08
TxEvent_DLC_Reg_n	32	R	DLCs: TxEvent_DLC_Reg_{0:31}, addr step = 0x08
32 Message RX Buffer 0			
RxBuff0_ID_Msg_n	64	R	IDs: RxBuff0_ID_Msg_{0:63}, addr step = 0x49
RxBuff0_DLC_Msg_n	64	R	DLCs: RxBuff0_ID_Msg_{0:63}, addr step = 0x48
RxBuff0_DW00_Msg_n	1024	R	Data: RxBuff0_DW{0:15}_Msg_{0:63}, step = 0x48
32 Message RX Buffer 1			
RxBuff1_ID_Msg_n	64	R	IDs: RxBuff1_ID_Msg_{0:63}, addr step = 0x49
RxBuff1_DLC_Msg_n	64	R	DLCs: RxBuff1_ID_Msg_{0:63}, addr step = 0x48
RxBuff1_DW00_Msg_n	1024	R	Data: RxBuff1_DW{0:15}_Msg_{0:63}, step = 0x48

System-level Control Registers

There are several registers to control I/O routing, and the APB programming interface.

Table 152: CAN SLCR Registers

Description	Register	Bit Fields	Offset Address	Access Type
Reference clock controls	CRL CAN0_REF_CTRL CRL CAN1_REF_CTRL	[SRCSEL], [DIVISOR], and [CLKACT]	0x0138 0x013C	RW
Software reset control	CRL RST_CAN0 CRL RST_CAN1	[RESET]	0x0328 0x032C	RW
PMC MIO pin multiplexing routing	PMC_IOP_SLCR MIO_PIN_0 (0 to 51) (see Input Buffer Control Registers section)	[L0_SEL], [L1_SEL], [L2_SEL], and [L3_SEL]	0x0000+	RW
LPD MIO pin multiplexing routing	LPD_IOP_SLCR MIO_PIN_0 (see Input Buffer Control Registers section)	[L0_SEL], [L1_SEL], [L2_SEL], and [L3_SEL]	0x0000+	RW

Table 152: CAN SLCR Registers (cont'd)

Description	Register	Bit Fields	Offset Address	Access Type
MIO bank select: 0: PMC pin bank 1: LPD pin bank	LPD_IOP_SLCR LPD_MIO_Sel	[CAN0_SEL], and [CAN1_SEL]	0x0410	RW
MIO loopback enable: 0: No loopback 1: CAN0 ↔ CAN1	LPD_IOP_SLCR MIO_Bank2_Loopback	[CAN0_LOOP_CAN1]	0x200	RW
Programming interface parity error: 0: no error 1: parity error	LPD_IOP_SLCR PARITY_ISR	[perr_can0_apb], and [perr_can1_apb]	0x0714	RW

I/O Signal Reference

CANFD I/O Signals

The CANFD controller I/O signals are routed to both the PMC and the LPD MIOs and the EMIO interface to the PL.

Table 153: CANFD Controller MIO Signals

Signal Name	I/O	MIO			EMIO
		PMC Pin MUX	LPD Pin MUX	MIO-at-a-Glance Table	
CAN0_RX CAN1_RX	Input	MIO-at-a-Glance		0	
CAN0_TX CAN1_TX	Output			1	

Gigabit Ethernet MAC

The gigabit Ethernet MAC (GEM) controller provides 10/100/1000 Mb/s interfacing (GbE) via an RGMII, GMII, or MII interface. There are two individual controllers located in the LPD with its DMA unit attached to the IOP AXI switch.

Each controller is operated independently and include a management data input/output (MDIO) interface for its external PHY for use with the RGMII interface. The I/O options include:

- RGMII (v2.0) is routed to the PMC or LPD MIO pins for connection to an external PHY
- GMII and MII are routed to the PL where they can be mapped to GTs or optionally be converted to other protocols using the PL logic
- Diagnostic internal loopback within each controller

Ethernet Specifications

The GEM controller implements several MAC layer specifications and time sensitive clauses.

- MAC layer
 - IEEE 802-2001
 - IEEE 802.3-2002
 - IEEE 802.3-2008
- Time sensitive network (TSN) clauses
 - IEEE 802.1AS Timing and Synchronization for Time-Sensitive Applications
 - IEEE 802.1Qav Credit-Based Shaper
 - IEEE 802.1Qaz Enhanced Transmission Selection
 - IEEE 802.1Qbv Enhancements for Scheduled Traffic
 - IEEE 802.1Qci Pre-Stream Filtering and Policing
- Additional implementation:
 - IEEE Std 1588 precision timestamp protocol
 - IEEE Std 802.1Q VLAN

This chapter contains these sections:

- [Features](#)
- [System Perspective](#)
- [Modes and States](#)
- [Memory Packet Descriptors](#)
- [DMA AXI Transactions](#)
- [Transmit Dataflow](#)
- [MAC Transmitter](#)
- [Receive Dataflow](#)
- [MAC Receiver](#)
- [Precision Timestamp Unit](#)
- [MAC Pause Frames](#)
- [Checksum Hardware](#)
- [Register Reference](#)
- [I/O Signal Reference](#)

Features

MAC Features

- 10/100 Mb/s full and half duplex
- 1000 Mb/s full duplex
- Priority (Q1) on transmit and receive frames
- Jumbo frames up to 10,240 bytes
- Promiscuous mode, broadcast mode
- Collision detection and enforcement
- Wake on LAN

DMA Features

- 44-bit physical to memory-mapped destinations, or 48-bit virtual address to SMMU
- Descriptor driven with scatter-gather

Common Features

- Automatic pad and cyclic redundancy check (CRC) generation on TX frames
- Automatic discard of RX frames with errors
- Programmable inter-packet gap (IPG) stretch
- Full-duplex flow control with recognition of incoming pause frames and hardware generation of transmitted pause frames
- Address checking logic for four specific 48-bit addresses, four specific type ID values, promiscuous mode, hash matching of unicast and multicast destination addresses
- VLAN tagging with recognition of incoming VLAN and priority tagged frames
- IPv4 and IPv6 transmit and receive IP, TCP, and UDP checksum offload
 - Checksum offload can be done in the IP instead of the software stack
- Partial store and forward option
- Precision timestamp protocol
- Time sensitive networking (TSN)
- Interrupts for TX/RX, error handling, and wake on LAN

PHY Features

- MDIO programming interface for clause 22 protocol

I/O Features

- Local I/O loopback from TXD to RXD within the controller

Comparison to Previous Generation Xilinx Devices

The Versal® ACAP GEM controller is similar to the controller in the Zynq® UltraScale+™ MPSoC.

New Features

- Time sensitive network (TSN)
- New RXFIFO high and low-level watermarks use pause frames for RX flow control
- Large segment offload (LSO) WANs added

Removed Features

- PS SGMII via PS GTR (PCS internal to GEM)
- 1000 BASE-x physical coding sublayer (PCS)
- Ten-bit interface (TBI) to PL via EMIO

System Perspective

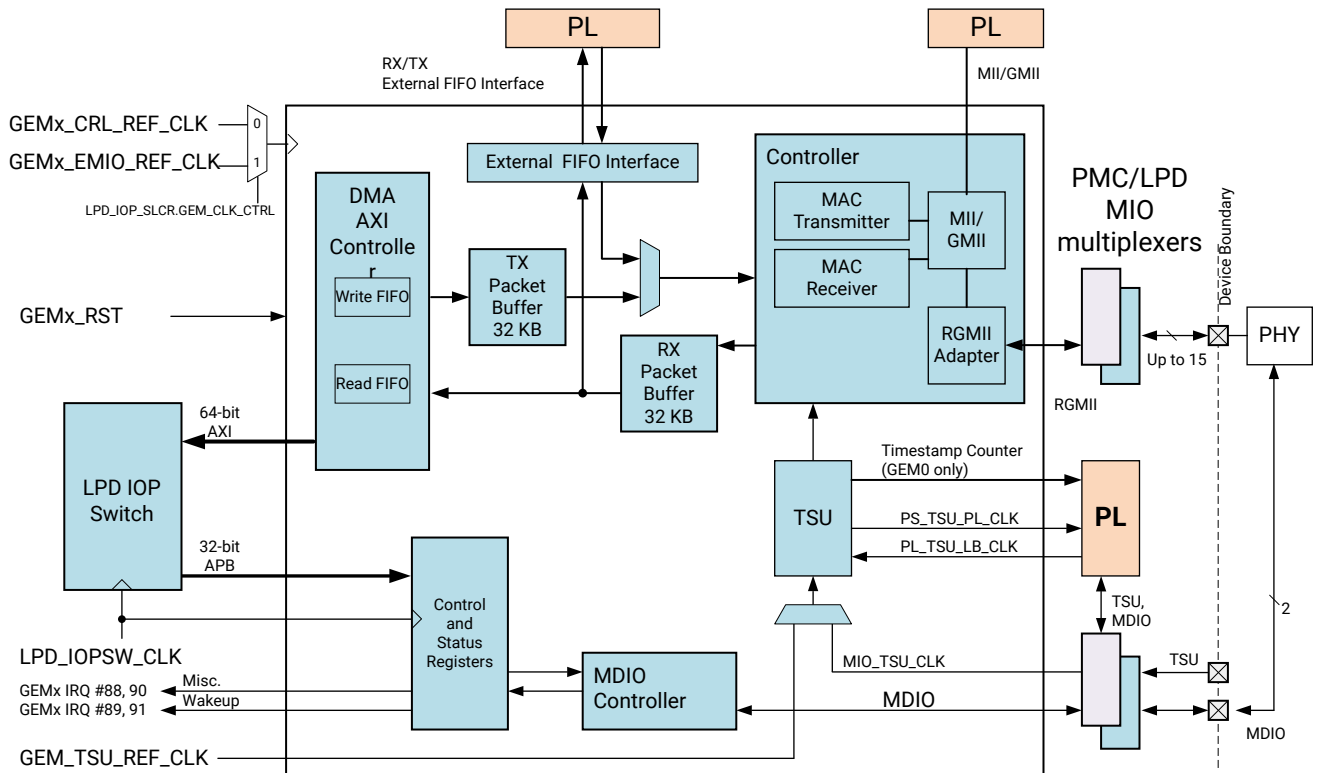
The system perspective includes:

- [Block Diagram](#)
- List of [Functional Units](#)
- [System Interfaces](#)
- [System Signals](#)
- [I/O Interfaces](#)
- [Programming Model Overview](#)

Block Diagram

The high-level block diagram is shown in the following figure.

Figure 96: GEM High-level Block Diagram



X23026-050221

Functional Units

The main components of the GEM controller are described in this section.

MAC Transmitter

The MAC transmitter takes data from the TX packed buffer, adds a preamble and, if necessary, a pad and frame check sequence (FCS).

Both half-duplex and full-duplex Ethernet modes of operation are supported. When operating in half-duplex mode, the MAC transmitter generates data according to the carrier sense multiple access with collision detect (CSMA/CD) protocol. The start of transmission is deferred if carrier sense (crs) is active. If a collision (col) occurs during transmission, a jam sequence is asserted and the transmission is re-tried after a random back off. The crs and col have no effect in full-duplex mode.

For more information, see [MAC Transmitter](#).

MAC Receiver

The MAC receiver checks for valid preamble, FCS, alignment and length, and presents received frames to the MAC address checking block. Packets are forwarded to the RX packet buffer for the AXI DMA to access. Software can configure the GEM to receive jumbo frames up to 10,240 bytes. It can optionally strip FCS from the received frame prior to transfer to the RX packet buffer. The address checker recognizes a configurable number of maskable source or destination specific 48-bit addresses, can recognize four different specific type ID values, and contains a 64-bit hash register for matching multicast and unicast addresses as required. It can recognize the broadcast address of all ones, copy all frames and act on external address matching signals.

The MAC receiver can also reject all frames that are not VLAN tagged. The MAC receiver can recognize wake-on-LAN (WOL) events. Address comparison against individual bits of specific address register 1 can be masked by means of the specific address mask register. All other specific address filters are byte maskable.

The MAC receiver supports offloading of IP, TCP, and UDP checksum calculations (both IPv4 and IPv6 packet types supported), and can automatically discard frames with a bad checksum. The MAC receiver can be set up to identify 802.1CB streams and automatically eliminate duplicate frames. Statistics are provided to report counts of rogue and out-of-order frames, latent errors, and timer reset events.

For more information, see [MAC Receiver](#).

Statistics

There are many statistic and status registers that can be read by software using the programming slave interface.

- TX frames
- TX Ethernet traffic
- RX frames
- RX Ethernet traffic

System Signals

System signals are divided into these sections:

- [GEM Clocks](#)
- [Controller Reset](#)
- [System Interrupts](#)

GEM Clocks

The GEM controller includes several types of clocks.

- Main reference clock
- Timestamp unit clock
- LPD IOP switch clock

The clocks are illustrated in the [Block Diagram](#) section.

Clock frequency guidelines are included in the [I/O Peripheral Clock Frequency Requirements](#) section.

Main Reference Clock

The GEM_x_REF_CLK clocks from the LPD clock controller are programmed by the LPD_IOP_SLCR [GEM_Clk_Ctrl](#) register.

- ◦ GEM0_REF_CLK
- GEM1_REF_CLK

GEM_TX Clock

The GEM_TX clock has a couple of sources. The frequency and accuracy is defined by the Ethernet 802.3 specification.

Timestamp Unit Clock

The timestamp unit (TSU) clocking is more complicated, and is shown in the figure in the [Block Diagram](#) section and explained in the [Precision Timestamp Unit](#) section.

LPD IOP Switch Clock

The APB programming interface and the AXI DMA controller interface are clocked by the LPD_IOPSW_CLK clock. This clock is controlled by the LPD clock controller using the CRL.LPD_IOPSW_CTRL register.

Controller Reset

The GEM controllers are reset by a POR or system software reset, which are described in [Resets](#). In addition, each controller can be individually reset:

- CRL [RST_GEM0](#) [RESET] register bit.
- CRL [RST_GEM1](#) [RESET] register bit.

System Interrupts

Each GEM controller generates two types of system interrupts:

- Controller interrupts:
 - Receive and transmit frames completed
 - RX frame errors
 - APB address decode error
- RX wake-on-LAN system interrupt

All of the system interrupts are listed in [IRQ System Interrupts](#).

- IRQ#88: GEM0 controller
- IRQ#89: GEM0 wakeup
- IRQ#90: GEM1 controller
- IRQ#91: GEM1 wakeup

System Interfaces

The GEM controller includes three system interfaces.

DMA AXI Interface

The DMA AXI interface is attached to the LPD source IOP switch and is clocked by the LPD_IOP_SW_CLK interconnect. It generates a 44 or 48-bit address and 64-bit wide data words. When the transaction is routed to the SMMU, a 48-bit address is used. Otherwise, only lower 44 bits are meaningful.

The DMA is controlled by a descriptor list. Packets are read from memory by the DMA and forwarded to the TX packet buffer for the MAC transmitter using the TX descriptor list. Packets are received from the RX packet buffer and written to system memory using the RX descriptor list.

Interface Clock

The DMA AXI interface is clocked by the LPD_IOP_SW_CLK switch.

APB Programming Interface

The programming interface provides the software access to the memory-mapped control, status, and statistics registers. The registers are listed in [Register Reference](#).

Interface Clock

The APB slave interface is clocked by the LPD_LSBUS_CLK associated with the LPD IOP switch.

PL External FIFO Interface

The MAC transmitter normally interfaces with the TX packet buffer and DMA. As an alternative, the PL can interface directly with the MAC transmitter. Also, the PL can receive packets directly from the MAC receiver, or receive them via the RX packet buffer. When the PL can be configured to read and write the packets, it uses 8-bit datapaths, and several control and status signals. When the external FIFO interface is selected, the PL manages the control, data, and status signals for the memory side of the packet buffers.

The descriptions of the data flows refer to the pathways between the MACs and the AXI DMA accessing system memory. However, if selected, these data flows are to the external FIFO interface instead of to the AXI DMA.

Interface Clock

The external FIFO interface is clocked by TX and RX clocks from the PL.

I/O Interfaces

The controller provides I/O signals for two I/O interface paths:

- GMII/MII to the EMIO PL interface
- RGMII to the LPD MIO pins

GMII/MII Interface

The controller natively includes a GMII/MII interface that is routed to the EMIO PL interface where it can be converted to another format or consumed as is. The interface is also routed to the built-in RGMII adapter.

- [EMIO - GMII/MII](#) interface provides 10/100/1000 Mb/s bandwidth

RGMII Interface

The controller includes a GMII to RGMII adapter. The RGMII I/O interface is multiplexed through the LPD MIO for connection to an external PHY. This interface supports the 10/100/1000 Mb/s protocol. See the [MIO - RGMII](#) section.

MDIO to External PHY for RGMII

To support the external PHY for the RGMII interface, the controller includes a master management data input/output (MDIO) interface. The MDIO interface includes clock, data, and output enable signals that are routed from the controller to LPD MIO pins. See [MDIO PHY Interface](#) section.

Internal Loopback

The controller has an internal loopback from the TXD to RXD signals in the GMII/MII controller.

- Ethernet loopback connecting TXD to RXD within a controller using the [Network_Control](#) [loopback_local] register bit.

In MAC internal loopback mode, both transmit and receive clock are sourced from the GEM_REF_CLK from the LPD clock controller.

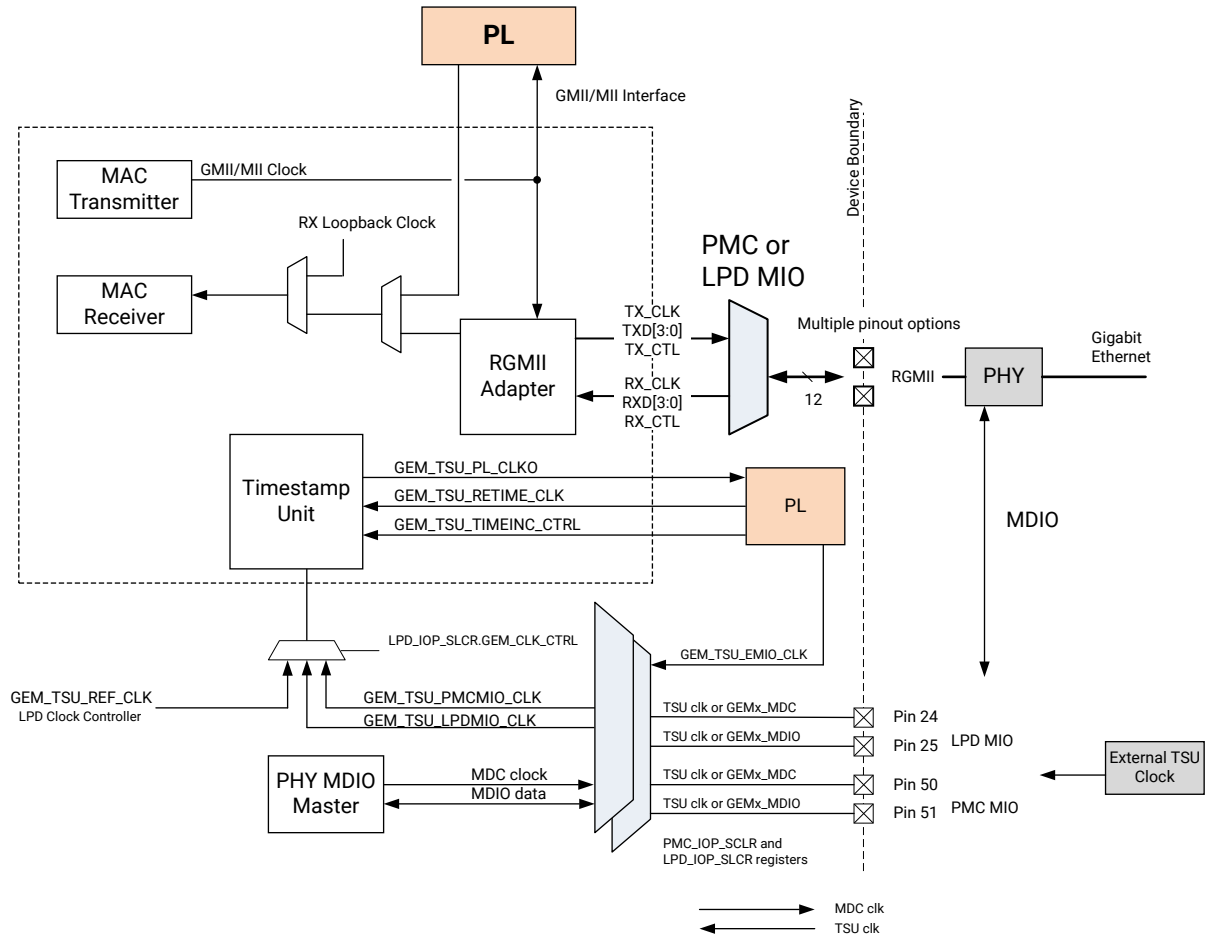


IMPORTANT! Receive and transmit must be disabled when making the switch into and out of internal loopback because the clocks provided might glitch while switching to the loopback reference clock.

I/O Block Diagram

The following figure includes the I/O interfaces and signals.

Figure 97: GEM I/O Interface Block Diagram



X23515-100920

Clocks

There are several clocks associated with the controller:

- Controller reference clock
- Timestamp unit clock
- External FIFO interface clock
- DMA AXI interface and APB programming interface clocks

Timestamp Unit Clock

The TSU clock can come from one of several sources:

- LPD clock controller, GEM_TSU_REF_CLK
- External source connected to an LPD MIO pin

- EMIO

Programming Model

Software accesses the GEM 32-bit registers to program the controller, manage the DMA, monitor the FIFOs, collect statistics, manage the external PHY, provide address filtering and specific type ID matching, control the precision time protocol (PTP), and generate TX pause frames.

The descriptor-driven DMA controller moves data packets between system memory and the packet buffers. The descriptors provide several options including scatter-gather functionality. The DMA connects to system memory through its 64-bit AXI bus master on the LPD IOP master switch.

To transmit frames, software creates descriptors and data buffers in the system memory. The data buffers are fetched by the DMA and written into the TX packet buffer. The packet buffers are consumed by the MAC transmitter to generate Ethernet frames.

To receive frames, software programs the DMA RX descriptors to read packets put in the RX packet buffer by the MAC receiver. The DMA takes packets from the buffer and writes memory packets to system memory using the RX descriptors.

Summary of programming features:

- Memory mapped control registers
- Configuration
- Direct control
- Programmable DMA with descriptor words
- Autonomous monitoring and responses

Modes and States

The controller has several modes and options that can be enabled.

- GMII or MII on the PL EMIO interface
- RGMII interface on the LPD MIO pins

Note: The timestamp unit clock must be active for GEM to operate.

Diagnostics

The controller also has a diagnostic mode. See [Controller Reset](#).

- Loopback

10/100/1000 Operating Modes

The GEM operating mode is controlled by [speed] and [gigabit_mode_enable] bits in the [Network_Config](#) register as shown in the following table.

Table 154: GEM Operating Mode

Operating Mode	Network_Config		I/O Interface Options
	[speed]	[gigabit_mode_enable]	
10 Mb/s	0	0	RGMI/GMII/MII
100 Mb/s	1	0	RGMI/GMII/MII
1000 Mb/s	x	1	RGMI/GMII/MII

Memory Packet Descriptors

The memory packets are transferred between the controller and system memory using descriptors. The descriptors are used by the packet buffer and the AXI DMA.

- Descriptor length
- Descriptor programming

Descriptor Length

The length of a descriptor entry depends on the interface (AXI or external FIFO interface) and if the timestamp feature is enabled. Every buffer descriptor entry has the same number of words for a given mode. This functionality applies to RX and TX descriptors.

Table 155: GEM Descriptor Length

Word Length	Bit Length	64-bit Addressing (AXI Master Interface)	32-bit Addressing (External FIFO Interface)	Timestamp Capture
2 words	64	~	Yes	~
4 words	128	Yes	~	~
4 words	128	~	Yes	Yes
6 words	192	Yes	~	Yes

DMA AXI Transactions

The DMA controller accesses system memory using a 44-bit address AXI master on the LPD IOP switch. If the transaction is routed through the FPD SMMU, then 48 address bits are used. The DMA controller processes descriptor tables in system memory to manage data between system memory buffers and the RX and TX packet buffers. The descriptor tables include information for the DMA to gather data from one or more memory locations in to one or more packet buffers for the MAC transmitter to create Ethernet frames.

Packet Buffer DMA

The DMA uses separate transmit and receive descriptor lists. Each descriptor entry has parameters that point to a memory location, specify the data buffer size, and indicate if the entry is a start for the frame (SOF) or end of frame (EOF). Multiple descriptor entries pointing to memory locations enable Ethernet packets to be broken up and scattered about the memory space.

The DMA and packet buffers include the following advantages:

- 64-bit AXI data bus width
- Maximum line rate by storing multiple frames in the packet buffer
- Efficient use of the AXI interface with FIFOs and bursting
- Full and partial store with forward
- Transmit TCP/IP checksum offload
- Priority queuing
- When a collision on the line occurs during transmission, the packet is automatically reaccessed directly from the packet buffer rather than having to re-fetch through the AXI interface
- Received error packets are automatically dropped before any of the packets are presented to the AXI, reducing AXI activity
- Manual RX packet flush capabilities
- Optional RX packet flush when the AXI becomes bandwidth limited

AXI Coherency and Bufferability

The AXI transaction requests can be routed directly into the FPD main switch and then to system memory via the NoC, or to system memory via the CCI for coherency and memory address translation.

Burst Transactions

The AXI master interface data width and word size is 64 bits. The burst size can be programmed to 1, 4, 8, 16, or 256 words using [DMA_Config \[amba_burst_length\]](#) register bit.

The AXI DMA master always uses INCR type accesses. When performing data transfers, the burst length used can be programmed using bits [4:0] of the DMA configuration register. Either single or fixed length incrementing bursts up to a maximum of 256 are used as appropriate.

- 1xxxx: Attempt to use bursts of up to 16
- 01xxx: Attempt to use bursts of up to 8
- 001xx: Attempt to use bursts of up to 4
- 0001x: Use single word
- 00001: Use single word
- 00000: Attempt to use bursts of up to 256

Transaction Routing and Coherency

The AXI memory transactions have several attributes controlled by the LPD_IOP_SLCR register set. The transactions can be coherent to the APU L2-cache by routing the transaction to the CCI via the SMMU. The AXI coherency signals are programmed to request the caching policy. This programming is used for both reads and writes:

- [GEMO_Route \[GEMx\]](#) routes the transactions through the CCI, which is required for coherency to the APU L2-cache.
- [GEMO_Coherent \[GEMx_AXI_COH\]](#) defines the AxUSER signals for the caching policy used by the CCI AXI-Lite connection.

The encoding of [GEMx_AXI_COH] bit field controls DMA AXI transaction coherency with respect to the APU L2-Cache and transaction buffers on the interconnect.

When the transaction bypasses the CCI, the [GEMx_AXI_COH] is only used to define the bufferability of the transaction. The coherency settings are ignored.

Transmit Dataflow

Packet Buffer TX Functionality

The software initiates the TX frames with some exceptions. In normal operation, the transmitter packet buffer continuously requests data from the TXFIFO to keep the packet buffer full. The transmitter packet buffer continues to attempt to fetch frame data from the DMA until the packet buffer itself is full, it then attempts to maintain a full level. To accommodate the status and statistics associated with each frame, three status words per packet are reserved at the end of the packet data. This can be used for the flow of data and to generate interrupts.

Operations

If any errors occur on the AXI transaction while reading the transmit frame, the fetching of packet data from system memory is halted. The MAC transmitter continues to fetch packet data, thereby emptying the packet buffer, and allowing any good non-errored frames to be transmitted successfully. When these frames are fully transmitted, the status/statistics for the errored frame is updated and software is informed through an interrupt that an AXI error occurred. The error is reported in the correct packet order.

The transmit packet buffer only attempts to read more frame data from the system memory when space is available in the packet buffer memory. If space is not available, the AXI interface must wait until the packet fetched by the MAC completes transmission and is subsequently removed from the packet buffer memory.

When full store and forward mode is active, and a single frame is fetched that is too large for the packet buffer memory, the frame is flushed and the DMA is halted with an error status. A complete frame must be written into the packet buffer before transmission can begin, and therefore the minimum packet buffer memory size should be chosen to satisfy the maximum frame to be transmitted in the application.

When the complete transmit frame is written into the packet buffer memory, a trigger is sent across to the MAC transmitter, which then begins reading the frame from the packet buffer memory. Because the whole frame is present and stable in the packet buffer memory, an underflow of the transmitter is not possible.

Half-duplex Mode

In half-duplex mode, the frame is kept in the packet buffer until notification is received from the MAC that the frame data has either been successfully transmitted or can no longer be retransmitted (too many retries in half-duplex mode). When this notification is received, the frame is flushed from memory to make room for a new frame to be fetched from AXI system memory.

Full-duplex Mode

In full-duplex mode, the frame is removed from the packet buffer in real time. Other than underflow, the only MAC related errors that can occur are due to collisions during half-duplex transmissions. When a collision occurs, the frame still exists in the packet buffer memory, and can be retried directly from there. Only when the MAC transmitter has failed to transmit after sixteen attempts is the frame finally flushed from the packet buffer.

TX Packets

The TX buffers become packets that are sent through the TX packet buffer. The MAC transmitter uses the descriptors, which provide the necessary information about and a pointer to the TX buffers.

The maximum frame size is 1522 bytes by default and 10,240 bytes (with jumbo frame support) bytes and the minimum frame size is 64 bytes.

In the transmit direction, the DMA (or FIFO interface) continues to provide TX packet data up to a limit of 2048 packets. The interface monitors the TX buffer full condition to avoid overwrites. The maximum useful size of the TX packet buffer is 32 KB.

The DMA uses the packet buffers to hold packets for both transmit and receive paths. While the packet is in the buffer, the controller decides what to do with it. If it is corrupt or does not pass the filters, it is discarded, and left unused in the buffer. This has several performance advantages:

- Retry collided TX frames: the MAC transmitter can re-read the packet directly from the buffer, which saves system interconnect bandwidth (or FIFO interface activity)
- Process the transmit IP/TCP/UDP checksum generation offload
- Generate the checksum before determining the fate of the frame

TX Descriptor Entry Words

The following table includes details of the transmit buffer descriptor list.

Table 156: GEM TX Descriptor, Words 0 and 1

Bit	Function
Word 0	
31:0	Byte address of buffer.
Word 1	
31	Used: must be zero for the controller to read data to the transmit buffer. After it is successfully transmitted, the controller sets this bit to one for the first buffer of a frame. Software must clear this bit before the buffer can be used again.
30	Wrap: marks last descriptor in the transmit buffer descriptor list. This can be set for any buffer within the frame.

Table 156: GEM TX Descriptor, Words 0 and 1 (cont'd)

Bit	Function
29	Retry limit exceeded, transmit error detected.
28	Always set to 0.
27	Transmit frame corruption due to AXI error: set if an error occurs midway while reading through the transmit frame from the AXI, including RESP errors, and buffers exhausted mid-frame. If the buffers run out during transmission of a frame, then transmission stops, the FCS is incorrect, and tx_er is asserted.
26	Late collision, transmit error detected. Late collisions force this status bit to be set in gigabit mode.
25:24	Reserved.
23	For extended buffer descriptor mode. This bit indicates a timestamp is captured in the buffer descriptor. Otherwise the bit is reserved.
22:20	Transmit IP/TCP/UDP checksum generation offload errors: 000b: No error. 001b: Packet is identified as VLAN type, but header is not fully complete, or has an error in it. 010b: Packet is identified as SNAP type, but header is not fully complete, or has an error in it. 011b: Packet is not of IP type, or IP packet was invalidly short, or IP is not of type IPv4/IPv6. 100b: The packet is not identified as VLAN, SNAP, or IP. 101b: Non-supported packet fragmentation occurred. For IPv4 packets, IP checksum is generated and inserted. 110b: Packet type detected is not TCP or UDP. TCP/UDP checksum is therefore not generated. For IPv4 packets, the IP checksum is generated and inserted. 111b: A premature end of packet is detected and the TCP/UDP checksum cannot be generated.
19:17	Reserved.
16	No CRC to be appended by the MAC. When set this bit implies that the data in the buffers already contains a valid CRC and no CRC or padding is appended to the current frame by the MAC. This control bit must be set for the first buffer in a frame and is ignored for the subsequent buffers of a frame. This bit must be clear when using the transmit IP/TCP/UDP checksum generation offload, otherwise checksum generation and substitution does not occur.
15	Last buffer, this bit (when set) indicates that the last buffer in the current frame is reached.
14	Reserved.
13:0	Length of buffer.

Table 157: GEM TX Descriptor Word Summary

64-bit Addressing for AXI DMA Interface	32-bit Addressing for External FIFO Interface	Field	Description
Word 0	Word 0	31:0	Byte address of buffer
Word 1	Word 1	31:0	Miscellaneous fields
Word 2	-	31:0	Upper 32-bit address of the data buffer
Word 3	Word 2	31:0	Not used
Word 4	Word 3	31:30 29:0	Timestamp seconds [1:0] Timestamp, nanoseconds
Word 5	-	31:4 3:0	Unused Timestamp seconds [5:2]

TX Descriptor Processing

Each transmit frame is stored in one or more memory buffers. Zero length memory buffers are allowed. The maximum number of buffers permitted for each TX frame is 128. The size of the descriptor entry is described in the [Descriptor Length](#) section. To transmit frames, the buffer descriptors must be initialized by writing an appropriate byte address to bits [31:0] in the first word of each descriptor list entry.

The second word of the TX descriptor is initialized with control information that indicates the length of the frame, whether the MAC is to append CRC, and whether the buffer is the last buffer in the frame.

After transmission, the status bits are written back to the second word of the first buffer along with the used bit. Bit [31] is the used bit that, if transmission is to take place, must be zero when the control word is read. It is written to one once the frame is transmitted. Bits [29:20] indicate various transmit error conditions. Bit [30] is the wrap bit, which can be set for any buffer within a frame. When no wrap bit is encountered, the queue pointer continues to increment.

The transmit-buffer queue base address register can only be updated while transmission is disabled or halted. Otherwise, any attempted write is ignored. When transmission is halted, the transmit-buffer queue pointer maintains its value. Consequently, when transmission is restarted, the next descriptor read from the queue is from immediately after the last successfully transmitted frame. While transmit is disabled, the [Network_Control](#) [enable_transmit] register bit is set = 0, the transmit-buffer queue pointer resets to point to the address indicated by the [Tx_Q_Ptr](#) start address register. Disabling receive does not have the same effect on the receive-buffer queue pointer.

When the transmit queue is initialized, transmit is activated by writing a 1 to the [Network_Control](#) [transmit_start] register bit. Transmit is halted when the used bit of the buffer descriptor is read, a transmit error occurs, or by writing to the transmit halt bit of the network control register.

Transmission is suspended if a pause frame is received while the [Network_Config](#) [pause_enable] register bit is set = 1. Rewriting the start bit while transmission is active is allowed. The [enable_transmit] bit is reset when the following occurs:

- Transmit is disabled.
- A buffer descriptor's ownership bit set is read.
- The [Network_Control](#) [transmit_halt] register bit is written.
- There is a transmit error due to too many retries, late collision (gigabit mode only), or a transmit under-run.

To start transmitting, write a 1 to the [Network_Control](#) [transmit_start] register bit.

Transmit halt does not take effect until any ongoing transmit finishes. The entire contents of the frame are read into the transmit packet buffer memory, any retry attempt is replayed directly from the packet buffer memory rather than re-fetching it through the AXI. If a used bit is read mid-way through transmission of a multi-buffer frame, the bit is treated as a transmit error. Transmission stops, tx_er is asserted, and the FCS is bad. If transmission stops due to a transmit error or a used bit being read, transmission is restarted from the first buffer descriptor of the frame being transmitted when the transmit start bit is rewritten.

MAC Transmitter

The MAC transmitter can operate in either half-duplex or full-duplex mode, and transmits frames in accordance with the Ethernet IEEE Std 802.3. In half-duplex mode, the CSMA/CD protocol is followed.

TX frame assembly starts by adding the preamble and the start frame delimiter. The packets are taken from the TXFIFO.

For short packets, padding is added to take the frame length to 60 bytes. CRC is calculated using an order 32-bit polynomial. This is inverted and appended to the end of the frame taking the frame length to a minimum of 64 bytes. If the [No_CRC] descriptor bit is set =1 of the last buffer descriptor of a TX frame, neither pad nor CRC are appended. The [No_CRC] bit can also be set through the FIFO.

In full-duplex mode (at all data rates), frames are transmitted immediately. Back-to-back frames are transmitted at least 96-bit times apart to check the inter-packet gap.

In half-duplex mode, the transmitter checks carrier sense. If asserted, the transmitter waits for a signal to become inactive, and then starts transmission after the inter-packet gap of 96-bit times.

Collisions in Half-duplex Mode

If the collision signal is asserted during transmission, the transmitter transmits a jam sequence of 32 bits taken from the data register and then retries transmission after the backoff time has elapsed. If the collision occurs during either the preamble or SFD, then these fields are completed prior to generation of the jam sequence.

The backoff time is based on an XOR of the 10 least significant bits of the data coming from the packet buffer and a 10-bit value from the pseudo-random number generator. The number of bits that are actually used depends on the number of collisions seen. After the first collision, one bit is used to determine the backoff time. After the second collision, two bits are used. This continues up to a maximum of 10 bits for the 10th through 16th collision. When a frame transmits without a collision, the number of bits used for a collision starts back at 1.

After 16 collisions in a row, an error is indicated and no further TX attempts are made, which is in accordance with the truncated binary exponential backoff algorithm.

In 10/100 Mb/s mode, both collisions and late collisions are treated identically (backoff and retry are performed up to 16 times). When operating in 1000 Mb/s mode, late collisions are treated as an exception and the transmission is aborted without a retry. This condition is reported in the transmit buffer descriptor word [1] (late collision, bit [26]) and also in the transmit status register (late collision, bit [7]).

An interrupt can also be generated (if enabled) when this exception occurs, and bit [5] in the interrupt status register is set.

When bit [28] is set in the network configuration register, the IPG can be stretched beyond 96 bits depending on the length of the previously transmitted frame and the value written to the stretch_ratio register. The least significant 8 bits of the stretch_ratio register multiply the previous frame length (including preamble) and the next significant 8 bits (+1 so as not to get a divide by zero) divide the frame length to generate the IPG.

IPG stretch only works in full-duplex mode and when bit [28] is set in the network configuration register. The stretch_ratio register cannot be used to shrink the IPG below 96 bits.

TX Broadcast Frames

Broadcast frames are transmitted with a destination address of all 1s and used to communicate with all nodes on a network.

TX Pause Frame

Automatic transmission of pause frames is supported through the transmit pause frame bits of the network control register and from the external input signals tx_pause, tx_pause_zero, and tx_pfc_sel. If either bit [11] or bit [12] of the network control register is written with a logic 1, or if the input signal tx_pause is toggled when tx_pfc_sel is Low, an IEEE Std 802.3 pause frame is transmitted providing full duplex is selected in the network configuration register and the transmit unit is enabled in the network control register.

Pause frame transmission occurs immediately if transmit is inactive or if transmit is active between the current frame and the next frame due to be transmitted.

Transmitted pause frames comprise of the following:

- A destination address of 01-80-C2-00-00-01.
- A source address taken from specific address register 1.
- A type ID of 88-08 (MAC control frame).
- A pause opcode of 00-01.

- A pause quantum register.
- Fill of 00 to take the frame to the minimum frame length.
- A valid FCS.

The pause quantum used in the generated frame depends on the trigger source for the frame.

- If bit [11] is written with a one, the pause quantum is taken from the transmit pause quantum register. The transmit pause quantum register resets to a value of 0xFFFF giving maximum pause quantum as the default.
- If bit [12] is written with a one, the pause quantum is zero.
- If the tx_pause input is toggled, tx_pfc_sel is Low and the tx_pause_zero input is held Low until the next toggle, the pause quantum is taken from the transmit pause quantum register.
- If the tx_pause input is toggled, tx_pfc_sel is Low and the tx_pause_zero input is held High until the next toggle, the pause quantum is zero.

After transmission, a pause frame transmitted interrupt is generated (bit [14] of the interrupt status register) and the only statistics register incremented is the pause frames transmitted register. Pause frames can also be transmitted by the MAC using normal frame transmission methods.

Quantum Time Base

The quantum value for transmitting a pause frame depends on the trigger source for the pause frame.

The quantum value is either zero or takes its value from the GEM [Tx_Pause_Quantum](#) register.

- If bit [11] is written with a one, the pause quantum is taken from the Transmit Pause Quantum register. The Transmit Pause Quantum register resets to a value of 0xFFFF giving maximum pause quantum as the default.
- If bit [12] is written with a one, the pause quantum is zero.
- If the tx_pause input is toggled, tx_pfc_sel is Low and the tx_pause_zero input is held Low until the next toggle, the pause quantum is taken from the Transmit Pause Quantum register.
- If the tx_pause input is toggled, tx_pfc_sel is Low and the tx_pause_zero input is held High until the next toggle, the pause quantum is zero.

After transmission, a pause frame transmitted interrupt is generated (bit [14] of the Interrupt Status register) and the only statistics register incremented is the Pause Frames Transmitted register. Pause frames can also be transmitted by the MAC using normal frame transmission methods.

Receive Dataflow

The MAC receiver divides the frames into one or more packets. Each packet includes status and statistics.

RX data packets are routed through the packet buffer and then managed by the RX descriptors.

RX Packets

Packets Held in Packet Buffer

The RX packets are held in the packet buffer until the MAC receiver determines what to do with it. If a packet is corrupt or does not pass the RX filter criteria, the packet is discarded. This has several performance advantages:

- RX packets with errors can be discarded before propagating further, which saves system interconnect bandwidth and the need for the device driver to discard them
- Process the IP/TCP/UDP checksum generation offload
 - Generate the checksum before determining the fate of the frame

Packet Buffer Overflow

The RX packet buffer can overflow with packets and generate an interrupt when data is received, but there is not enough room to store it. An overflow also occurs if the limit of 2048 packets is breached. The maximum usable size of the packet buffer is 32 KB.

RX Packet Flow Monitoring

Frames with errors are flushed from the packet buffer memory, good frames are pushed onto the DMA AXI interface.

The packet buffer monitors the data flow from the MAC receiver to create packet pushes into the packet buffer. At the end of the received frame, the status and statistics information are stored along side the packet for use when the frame is read out.

Good Frame

The DMA only begins to fetch packets from the packet buffer when the status and statistics for the Ethernet frame are available. If the frame has a good status, the three status and statistics words of information are used to read the frame from the packet memory and written to system memory by the DMA. After the last frame data is transferred to the packet buffer, the status and statistics are updated to the controller's registers.

Bad Frame

When programmed in full store and forward mode, if the frame has an error, the frame data is immediately flushed from the packet buffer memory allowing subsequent frames to use the newly opened space. The status and statistics for bad frames are written to the system buffer and used to update the controller's status and statistics registers.

To accommodate the status and statistics associated with each frame, three words per packet are reserved at the end of the packet data. When a packet is bad and is dropped, the status and statistics is the only information stored for that packet.

The packet buffer can detect a full condition and an overflow condition can also be detected. If this occurs, subsequent packets are dropped and an overflow interrupt is raised.

RX Descriptor Words

Received frames with optional FCS are written to receive buffers in system memory. The memory start location for each receive buffer is stored in the receive buffer descriptor table at an address location pointed to by the value in the receive-buffer queue pointer registers.

Each receive buffer start location is a word address. The start of the first memory buffer in a frame can be offset by up to three bytes depending on the value written to bits [14] and [15] of the network configuration register. If the start location of the AXI buffer is offset the available length of the first AXI buffer is reduced by the corresponding number of bytes.

There are six descriptor words per entry to provide a 44 or 48-bit address for the DMA AXI master interface, see [Descriptor Length](#).

Table 158: GEM RX Descriptor, Word 0

Bit	Description
31:3	Starting RX memory buffer address, bits [31:3]. Bits [47:32] are held in descriptor entry word 3.
2	Timestamp enable: 0: None 1: Valid timestamp
1	Wrap enable: 0: No wrap 1: Wrap
0	Data ownership: 0: The controller can write data to the RX buffer 1: The controller sets this bit to 1 once the frame leaves the RXFIFO (written to system memory) Software must clear this bit to 0 before the buffer can be used again.

Table 159: GEM RX Descriptor, Word 1

Field	Description
31	Global all ones broadcast address detected.
30	Multicast hash match.
29	Unicast hash match.
28	I/O address match.
27	Specific type address register match found, bit [25] and [26] indicate the specific address register that caused the match.
26:25	Address register match indicator: 00: Specific address register 1 match 01: Specific address register 2 match 10: Specific address register 3 match 11: Specific address register 4 match If more than one specific address is matched, only one is indicated with priority 4 down to 1.
24	Indicates different information when the RX checksum offloading is enabled or disabled. • When RX checksum offloading is disabled, bit [24] is cleared and the network configuration type ID register match is found. Bit [22] and bit [23] indicates which type ID register caused the match. • When RX checksum offloading is enabled, bit [24] is set in the network configuration. 0: Frame is not SNAP encoded and/or has a VLAN tag with the CFI bit set 1: Frame is SNAP encoded and has either no VLAN tag or a VLAN tag without the CFI bit set
23:22	Indicates different information when the RX checksum offloading is enabled or disabled. • RX checksum offloading is disabled when the Network_Config [receive_checksum_offload_enable, 24] register bit = 0. The encoded matches are: 00: Type ID register 1 match 01: Type ID register 2 match 10: Type ID register 3 match 11: Type ID register 4 match If more than one specific type ID is matched, only one is indicated with priority 4 down to 1. • RX checksum offloading is enabled when Network_Config [24] bit is set = 1. 00: Both the IP header checksum and the TCP/UDP checksum were not checked 01: The IP header checksum is checked and is correct. Both the TCP or UDP checksum were not checked 10: Both the IP header and TCP checksum were checked and were correct 11: Both the IP header and UDP checksum were checked and were correct
21	VLAN tag detected: type ID of 0x8100. For packets incorporating the stacked VLAN processing feature, this bit is set if the second VLAN tag has a type ID of 0x8100.
20	Priority tag detected: type ID of 0x8100 and null VLAN identifier. For packets incorporating the stacked VLAN processing feature, this bit is set if the second VLAN tag has a type ID of 0x8100 and a null VLAN identifier.
19:17	VLAN priority: only valid if bit [21] is set.
16	Canonical format indicator (CFI) bit: only valid if bit [21] is set.
15	End of frame: when set, the buffer contains the end of a frame. If end of frame is not set, then the only valid status bit is start of frame bit [14].
14	Start of frame: when set, the buffer contains the start of a frame. If both bits [15] and [14] are set, the buffer contains a whole frame.
13	Indicates different information when the ignore FCS mode is enabled or disabled. • This bit is zero if ignore FCS mode is disabled. • When ignore FCS mode is enabled, bit [26] is set in the network configuration register. The per-frame FCS status indicates the following: 0: Frame had good FCS 1: Frame had bad FCS and if the ignore FCS mode is enabled, the frame is copied to memory

Table 159: **GEM RX Descriptor, Word 1 (cont'd)**

Field	Description
12:0	<p>These bits represent the length of the received frame that could include FCS if the FCS discard mode is enabled or disabled.</p> <ul style="list-style-type: none"> • FCS discard mode disabled: Bit [17] is cleared in the network configuration register. The least significant 12 bits for length of frame include FCS. • FCS discard mode enabled: Bit [17] is set in the network configuration register. The least significant 12 bits for length of frame exclude FCS.

Table 160: **GEM RX Descriptor Word Summary**

Word	Field	Description
Word 0	31:0	Timestamp enable, wrap enable, ownership.
Word 1	31:0	Miscellaneous fields.
Word 2	15:0	Upper sixteen AXI address bits [47:32].
	31:16	Not used.
Word 3	31:0	Not used.
Word 4	29:0	Timestamp, nanoseconds.
	31:30	Timestamp, seconds, bits [1:0].
Word 5	3:0	Timestamp, seconds, bits [5:2].
	31:4	Not used.

RX Descriptor Processing

The start location of the RX buffer descriptors must be written with the receive-buffer queue base address before reception is enabled (receive enable in the network control register). After reception is enabled, any writes to the receive-buffer queue base address register are ignored.

When read, it returns the current pointer position in the descriptor list, though this is only valid and stable when receive is disabled.

If the filter block indicates that a frame should be copied to memory, the receive data DMA operation starts writing data into the receive buffer. If an error occurs, the buffer is recovered.

An internal counter represents the receive-buffer queue pointer and it is not visible through the CPU interface. The receive-buffer queue pointer increments by two words after using each buffer. It re-initializes to the receive-buffer queue base address when any descriptor has its wrap bit set.

As receive AXI buffers are used, the receive AXI buffer manager sets bit zero of the first word of the descriptor to logic one, to indicate that the AXI buffer was used.

Software should search through the used bits in the AXI buffer descriptors to determine how many frames are received by checking the start of frame and end of frame bits.

By default, partial store and forward is not enabled; that is, the controller waits for the full packet to be available before forwarding. If the DMA is configured in the packet buffer partial store and forward mode, received frames are written out to the AHB/AXI buffers as soon as enough frame data exists in the packet buffer, which means several full buffers are used before some error conditions can be detected. If a receive error is detected, the receive buffer currently being written is recovered. Previous buffers are not recovered. For example, when receiving frames with CRC errors or excessive length, it is possible that a frame fragment might be stored in a sequence of receive buffers. Software can detect these fragment by looking for start-of-frame bit set in a buffer following a buffer with no-end-of frame bit set.

A properly working 10/100/1000 Ethernet system does not have excessive length frames or frames greater than 128 bytes with CRC errors. When using a default value of 128 bytes for the receive buffer, it is rare to find a frame fragment in a receive AXI buffer because collision fragments are less than 128 bytes long.

Only good received frames are written out of the DMA and no fragments exist in the AXI buffers due to MAC receiver errors. However, there is still the possibility of fragments due to DMA errors. For example, when a used bit is read on the second buffer of a multi-buffer frame.

If bit zero of the receive buffer descriptor is already set when the receive buffer manager reads the location of the receive AXI buffer, the buffer is already used and cannot be used again until the software has processed the frame and cleared bit zero. In this case, the buffer not available bit in the receive status register is set and an interrupt is triggered. The receive resource error statistics register is also incremented.

There is an option to automatically discard received frames when no AXI buffer resource is available. This option is controlled by the [DMA_Config \[force_discard_on_err\]](#) register bit. By default, the received frames are not automatically discarded. When this feature is off, the received packets remain stored in the packet buffer until an AXI buffer resource becomes available. This can lead to an eventual packet buffer overflow occurs when packets continue to be received because the [0, used] bit of the receive-buffer descriptor is still set.

After a used bit is read, the receive-buffer manager re-reads the location of the receive buffer descriptor every time a new packet is received.

When the DMA is configured in the packet buffer full store and forward mode, a receive overrun condition occurs when the receive packet buffer is full, or if an AXI error occurred.

For a receive overrun condition, the receive overrun interrupt is asserted and the buffer currently being written is recovered. The next frame that is received whose address is recognized reuses the buffer.

To force a flush of the packet from the receive packet buffer, write a 1 to the [Network_Control \[flush_rx_pkt_pclk\]](#) register bit. This only occurs when the RX DMA is not currently writing packet data out to the AXI (that is, it is in an IDLE state). If the RX DMA is active, a write to this bit is ignored.

MAC Receiver

The MAC receiver checks incoming frames for a valid preamble, the frame check sequence (FCS), alignment, and length. The receiver then processes the RX frames and writes packets into the RX packet buffer with status that is to be read by the DMA controller. The MAC also stores the frames destination address for use by the address checking unit.

If the RX frame is too long, a bad frame indication is sent to the RXFIFO. The receiver logic ceases to send data to memory as soon as this condition occurs.

At end of frame reception, the MAC receiver indicates to the DMA controller whether the frame is good or bad. The DMA controller recovers the RX buffer if the frame is bad.

RX Ethernet frames are normally stored with the FCS. The Tx frames can be stored without their FCS by setting the [Network_Config](#) [fcs_remove] register bit = 1. The reported frame length field is reduced by four bytes to reflect this operation.

The MAC receiver updates the status registers:

- Increment the alignment
- CRC (FCS)
- Short frame, long frame
- Jabber or receive symbol errors when any of these exception conditions occur

If the [Network_Config](#) [ignore_rx_fcs] register bit is set = 1, then errors are ignored and frames with CRC errors are not discarded, though the frame check sequence errors statistic register is still incremented.

Bit [13] of the receiver descriptor word [1] is updated to indicate the FCS validity for the particular frame. This is useful for applications where individual frames with FCS errors must be identified.

Received frames can be checked for length field error by setting the [Network_Config](#) [length_field_error_frame_discard] = 1. In this case, the receiver compares a frame's measured length with the length field (bytes 13 and 14) extracted from the frame. The frame is discarded if the measured length is shorter. The RX frame length is checked for the range starting at 64 bytes. The upper limit depends on register bit settings. The upper range is:

- 1,518 bytes (normally)
- 1,536 bytes ([Network_Config](#) [receive_1536_byte_frames] is set = 1)
- 10,240 bytes ([Network_Config](#) [jumbo_frames] is set = 1)

Each discarded frame increments the 10-bit [RxFrames_Oversize_Count](#) [count] statistics register bit field.

Filtering

When enabled, the MAC receiver filter determines which frames should be written to the RXFIFO.

Filtering includes:

- State of the I/O matching signals
- Register programming:
 - Specific address
 - Specific type
 - Hash
- Destination address and type field of the field

If the [Network_Config](#) [en_half_duplex_rx, 25] is set = 0, a frame is not placed in the RXFIFO if transmitting in half-duplex mode at the time a destination address is received.

Ethernet frames are transmitted a byte at a time, least significant bit first. The first six bytes (48 bits) of an Ethernet frame make up the destination address. The first bit of the destination address (least significant bit of the first byte) defines the casting:

- 0: Unicast address
- 1: Multicast address

An address of all 1's is a special case of the multicast, broadcast address.

Address Filtering using Four Specific Addresses

The MAC receiver recognizes up to four specific addresses. Each specific address requires two registers: [Spec_Addr1_U](#) (two bytes) and [Spec_Addr1_L](#) (four bytes). The address stored can be specific, group, local, or universal.

When address filtering is enabled, the RX frame destination address is compared against up to four specific addresses stored in registers. If a receive frame address matches an active specific address, the frame is written to the RX packet buffer.

Address filtering is activated when the [spec_add1_top](#) register is written; therefore write, the [spec_add1_bottom](#) register first. Filtering is deactivated by writing to the [Spec_Addr1_L](#) register or by the GEM_RESET.

Specific Type ID Filtering

Frame-specific type IDs are used by software to identify a particular stream of traffic. They can be filtered using the specific ID match registers. Four ID registers are available. An ID match register (e.g., [Spec_ID1_Match](#)) is enabled writing a 1 to the [enable_copy, 31] bit. When a frame is received, the enabled ID matching results (up to 4) are OR'd together.

The contents of each specific type ID match register (e.g., [Spec_ID1_Match](#)) is compared against the length/specific type ID of the frame being received (for example, bytes 13 and 14 in non-VLAN and non-SNAP encapsulated frames) and written into the RxFIFO if a match is found. The encoded spec ID match bits (word 1, bit [22] and bit [23]) in the receive buffer descriptor status are set to indicate which specific type ID match register generated the match, if the receive checksum offload is disabled. The reset state of the specific type ID match registers is zero and is disabled.

Filtering Example

This example illustrates the use of the specific address and ID match registers for a MAC address of 21:43:65:87:A9:CB. The sequence in the following table shows the beginning of an RX frame. The byte order of transmission starts with the preamble, shown at the top of the table.

For a successful match to specific address 1 register, write the destination address.

Note: In this example, the address mask bits are all disabled (reset value).

- Write 8765_4321h to [Spec_Addr1_L](#)
- Write 0000_CBA9h to [Spec_Addr1_U](#)

For a successful match to the specific type ID1 match register, write the ID and enable the register:

- Write 8000_4321h to the [Spec_ID1_Match](#) register.

Table 161: GEM Address and Type ID Filtering Example

Byte Type	Example Value	Description
Preamble	55	
SFD	D5	Start frame delimiter
DA (octet 0, LSB)	21	Destination address
DA (octet 1)	43	
DA (octet 2)	65	
DA (octet 3)	87	
DA (octet 4)	A9	
DA (octet 5, MSB)	CB	

Table 161: GEM Address and Type ID Filtering Example (cont'd)

Byte Type	Example Value	Description
SA (octet 0, LSB)	xx	Address of transmitting device
SA (octet 1)	xx	
SA (octet 2)	xx	
SA (octet 3)	xx	
SA (octet 4)	xx	
SA (octet 5, MSB)	xx	
Specific Type ID (MSB)	43	Type ID match 1
Specific Type ID (LSB)	21	

Hash Addressing

The RX hash matching is enabled separately for unicast and multicast frames:

- Enable unicast hash matching. Write a 1 to the `Network_Config` [unicast_hash_enable] register bit.
- Enable multicast hash matching. Write a 1 to the `Network_Config` [multicast_hash_enable] register bit.

The destination address is reduced to a 6-bit index using the following hash function. The hash function is an XOR of every sixth bit of the destination address. If the hash_index points to a bit set in the 64-bit hash address (defined by the hash_top and hash_bottom registers), a match is detected.

Data bit 00 presents the least significant bit of the first byte (this is the multicast/unicast indicator). Data bit 47 represents the most significant bit of the last byte.

Table 162: Ethernet Hash Indexes

Hash Index	Data Bits Received, da[nn]							
0	00	06	12	18	24	30	36	42
1	01	07	13	19	25	31	37	43
2	02	08	14	20	26	32	38	44
3	03	09	15	21	27	33	39	45
4	04	10	16	22	28	34	40	46
5	05	11	17	23	29	35	41	47

If the hash index points to a bit that is set in the hash register, the frame is matched according to whether the frame is multicast or unicast.

A multicast match is signaled if:

- [multicast_hash_enable] = 1

- da[00] = 1
- Hash index points to a bit set in the hash register, hash_top and hash_bottom

A unicast match is signaled if:

- [unicast_hash_enable] = 1
- da[00] = 0
- Hash index points to a bit set in the hash register, hash_top and hash_bottom

To receive all multicast frames:

- Write 1's to the hash register
- Write 1 to [multicast_hash_enable]

Capture All Frames

The MAC receiver can capture all valid frames regardless of the address using the copy all frames feature. The promiscuous mode is enabled when network_config [copy_all_frames] is set = 1. In this mode, all RX frames are copied into the RXFIFO except for the frames that are:

- Too long (over 1536 bytes)
- Too short (under 64 bytes), or
- GMII's RX error (rx_er) signal assert during reception

If the RX frame includes an FCS error, the frame is only captured if the network_config [ignore_rx_fcs, 26] bit is set = 1.

RX Broadcast Frames

When the MAC receiver detects a broadcast frame (address = 0xFFFF_FFFF_FFFF), the receiver normally writes the frame to the RX packet buffer.

If network_config [no_broadcast] = 1, the broadcast frame is ignored and not written into the packet buffer.

VLAN Support

The Ethernet encoded IEEE Std 802.1Q VLAN tag includes:

- 16-bit tag protocol identifier (TPID): 8100h.
- 16-bit tag control information (TCI): first three priority bits, then CFI bit, then 12 VID bits.

The VLAN tag is inserted at the 13th byte of the frame adding an extra four bytes to the frame length. To support these extra four bytes, the GEM can accept frame lengths up to 1,536 bytes by setting the network_config [receive_1536_byte_frames, 8] bit = 1.

If the VLAN identifier (VID) is null (0000h), a priority-tagged frame is indicated.

The following bits in the RX buffer descriptor status Word [1] provide information about VLAN tagged frames:

- Set bit [21] if the receive frame is VLAN tagged (specific type ID of 0x8100).
- Set bit [20] if receive frame is priority tagged (specific type ID of 0x8100 and null VID). If bits [20] is set, bit [21] is also set.
- Set bits [19], [18], and [17] to priority if the bit [21] is set.
- Set bit [16] to CFI if bit [21] is set.

The controller can be configured to reject all frames except VLAN tagged frames by setting the discard non-VLAN frames bit in the network configuration register.

Wake-on-LAN Support

The MAC receiver supports wake-on-LAN (WOL) by detecting these events on incoming RX frames:

- Magic packets
- Address resolution protocol (ARP) requests to the device IP address
- Specific address 1 filter match
- Multicast hash filter match

The receiver must be enabled by writing a 1 to [Network_Control](#) [enable_receive]. These events can be individually enabled using the gem.wol_register [wol_mask_x] bits.

Also, when WOL is detected, the gem.int_status [wol_interrupt] bit is set by the controller.



IMPORTANT! A receive buffer in the RXFIFO does not have to be available, but the descriptor must be fetchable from memory when the wake-up event occurs. Alternately, the receive DMA queues can be disabled by setting the GEM.receive_q_ptr [dma_rx_dis_q] bit = 1.

The wake-up interrupt is asserted for several reasons:

- An RX multicast filter event occurred
- An ARP request is generated
- Specific address 1 match even in the presence of a frame error

Magic Packet Events

For magic-packet events, the frame must be correctly formed and error free. A magic-packet event is detected when all of the following are true.

- Magic-packet events are enabled through bit [16] of the wake-on-LAN register
- RX frame destination address matches the specific address 1 register
- RX frame is correctly formed with no errors
- RX frame contains at least 6 bytes of `0xFF` for synchronization
- There are 16 repetitions of the contents of the specific address 1 register immediately following the synchronization

Address Resolution Protocol

An ARP request event is detected when all of the following are true.

- ARP request events are enabled through bit [17] of the wake-on-LAN register
- Broadcasts are allowed by bit [5] in the network configuration register
- RX frame has a broadcast destination address (bytes 1 to 6)
- RX frame has a specific type ID field of `0x0806` (bytes 13 and 14)
- RX frame has an ARP operation field of `0x0001` (bytes 21 and 22)
- The least significant 16 bits of the frame's ARP target protocol address (bytes 41 and 42) match the value programmed in bits[15:0] of the wake-on-LAN register

The decoding of the ARP fields adjusts automatically if a VLAN tag is detected within the frame. The reserved value of `0x0000` for the wake-on-LAN target address value does not cause an ARP request event, even if matched by the frame.

Specific Address 1 Filter Match

A specific address 1 filter match event occurs when all of the following are true.

- Specific address 1 events are enabled through bit [18] of the wake-on-LAN register
- RX frame destination address matches the value programmed in the specific address 1 registers

Multicast Hash Filter Match

Multicast filter match event occurs when all of the following are true.

- Multicast hash events are enabled through bit [19] of the wake-on-LAN register

- Multicast hash filtering is enabled through bit [6] of the network configuration register
- RX frame destination address matches against the multicast hash filter
- RX frame destination address is not a broadcast

Precision Timestamp Unit

The timestamp unit (TSU) supports the IEEE Std 1588 for precision time synchronization in local area networks. The TSU works with the exchange of special precision time protocol (PTP) frames. The PTP messages can be transported over IEEE Std 802.3/Ethernet, over Internet Protocol Version 4, or over Internet Protocol Version 6 as described in the annex of IEEE Std P1588.D2.1.

Note: The TSU clock must be active for the GEM controller to operate regardless of whether the TSU is used or not; the TSU clock impacts the transmit scheduler.

TSU Clock Sources

There are several sources for the TSU clock as shown in the [GEM I/O Block Diagram](#). When the TSU clock is sourced from the LPD clock controller, the clock frequency is controlled by the CRL [GEM_TSU_REF_CTRL](#) register, see the [Reference Clock Frequency Dividers](#) and [System-Level Registers](#) sections for more information on the TSU clock.

Synchronization of Master and Slave Clocks

The controller detects when the PTP event messages sync, delay_req, pdelay_req, and pdelay_resp are transmitted and received. Synchronization between master and slave clocks is a two stage process.

The offset between the master and slave clocks is corrected by the master sending a sync frame to the slave with a follow-up frame containing the exact time the sync frame was sent. The GEM controller assist modules on the master and slave side detect exactly when the sync frame was sent by the master and received by the slave. The slave then corrects its clock to match the master clock.

The transmission delay between the master and slave is corrected. The slave sends a delay request frame to the master, which sends a delay response frame in reply. The controller assist modules on the master and slave side detect exactly when the delay request frame was sent by the slave and received by the master. The slave then has enough information to adjust its clock to account for delay.

See the IEEE 1588 v1/v2 or 802.1AS standards for more detailed information on how the slave software calculates the delay based on this information. When GEM is a PTP slave, its timer can be adjusted with this delay. See the *Timer Adjustment* section below.

Sync and Delay_Req Messages

For TSU assist, it is necessary to timestamp when sync and delay_req messages are sent and received. The timestamp is taken when the message timestamp point passes the clock timestamp point. The message timestamp point is the SFD and the clock timestamp point is the MII. The MAC samples the TSU timer value synchronous to MAC TX/TX clock domains at the MII/GMII boundary.

The MAC inserts the timestamp into the transmitted PTP sync frames (if the one step sync feature is enabled) for capture in the TSU_TIMER_MSB_SEC, TSU_TIMER_NSEC, TSU_TIME_SEC registers, or to pass to the DMA to insert into TX or RX descriptors. For each of these, the SOF event, which is captured in the tx_clk and rx_clk domains, respectively, is synchronized to the tsu_clk domain, and the resulting signal is used to sample the TSU count value. This value is kept stable for an entire frame, or specifically for at least 64 TX/RX clock cycles, because the minimum frame size in Ethernet is 64 bytes and worst case is a transfer rate of 1 byte per cycle. It is used as the source for all the various components within the GEM that require the timestamp value. The IEEE Std 1588 specification refers to sync and delay_req messages as event messages, as these require timestamping. Follow up, delay response, and management messages do not require timestamping and are referred to as general messages.

Peer Delay Request and Response Messages

The IEEE Std 1588 version 2 defines two new PTP event messages that replace the delay request/response messages. These are the peer delay request (pdelay_Req) and peer delay response (pdelay_Resp) messages. These messages are used to calculate the delay on a link. Nodes at both ends of a link send both types of frames (regardless of whether they contain a master or slave clock). The pdelay_resp message contains the time where a pdelay_req was received and is itself an event message. The time at which a pdelay_resp message is received is returned in a pdelay_resp_follow_up message.

PTP Event Message Encapsulation

The controller recognizes four different encapsulations for PTP event messages:

- IEEE Std 1588 version 1 (UDP/IPv4 multicast)
- IEEE Std 1588 version 2 (UDP/IPv4 multicast)
- IEEE Std 1588 version 2 (UDP/IPv6 multicast)
- IEEE Std 1588 version 2 (Ethernet multicast)

Note: Only multicast packets are supported.

Timer Adjustment

The TSU consists of a timer with seconds + nanoseconds + sub nanoseconds registers, increment and adjust registers, and these are accessible through the APB programming interface. The initial value of the timer is written through the `tsu_timer_msb_sec`, `tsu_timer_sec`, and `tsu_timer_nsec` registers. The amount the timer increments by each clock cycle is set by the `tsu_timer_incr` and `tsu_timer_incr_sub_nsec` registers. The timer can be adjusted by adding or subtracting an integral number of nanoseconds in a one-off write to the `tsu_timer_adjust` register. Alternatively, the `tsu_timer_incr` and `tsu_timer_incr_sub_nsec` can also be adjusted to tune a slave's timer minutely based on the delay. See the register descriptions for more information.

PTP Event Packet Timestamping

The TSU consists of a timer and registers to capture the time at which PTP event frames cross the message timestamp point. These are accessible memory-mapped through the APB programming interface. An interrupt is issued when a capture register is updated.

The MAC provides timestamp registers that capture the departure time (for transmit) or arrival time (for receive) of PTP event packets (sync and delay request), and peer event packets (peer delay request or peer delay response). Interrupts are optionally generated upon timestamp capture.

MAC Pause Frames

The start of an IEEE Std 802.3 pause frame includes:

- Destination address: `0x0180_C200_0001`
- Source Address: 6 bytes
- Type (MAC control frame): `0x8808`
- Pause opcode: `0x0001`
- Pause time: 2 bytes

The controller supports both a hardware controlled pause of the transmitter upon reception of a pause frame and a hardware generated pause frame transmission.



TIP: See Clause 31, and Annex 31A and 31B of the IEEE Std 802.3 for a full description of pause operation.

RX Pause Frames

Bit [13] of the network configuration register is the pause enable control for reception. If this bit is set and a non-zero pause quantum frame is received, transmission pauses.

If a valid pause frame is received, then the pause time register is updated with the new frame's pause time regardless of whether a previous pause frame is active. An interrupt (either bit [12] or bit [13] of the interrupt status register) is triggered when a pause frame is received, but only if the interrupt is enabled (bit [12] and bit [13] of the interrupt mask register). Pause frames received with non-zero quantum are indicated through the interrupt bit [12] of the interrupt status register. Pause frames received with zero quantum are indicated on bit [13] of the interrupt status register.

When the pause time register is loaded and the frame currently being transmitted is sent, no new frames are transmitted until the pause time reaches zero. The loading of a new pause time, and the pausing of transmission, only occurs when the controller is configured for full-duplex operation. If the controller is configured for half-duplex there is no frame is defined as having a destination address that matches either the address stored in specific address register 1 or if it matches the reserved address of `0x0180C2000001`. It must also have the MAC control frame type ID of `0x8808` and have the pause opcode of `0x0001`.

Pause frames that have FCS or other errors are treated as invalid and are discarded. IEEE Std 802.3 pause frames that are received after priority-based flow control (PFC) is negotiated are also discarded. Valid pause frames received increment the pause frames received statistic register. The pause time register decrements every 512-bit times once transmission has stopped. For test purposes, the retry test bit can be set (bit [12] in the network configuration register) which causes the pause time register to decrement every `tx_clk` cycle when transmission has stopped.

The interrupt (bit [13] in the interrupt status register) is asserted whenever the pause time register decrements to zero (assuming it was enabled by bit [13] in the interrupt mask register). This interrupt is also set when a zero quantum pause frame is received.

PFC Priority-based Pause Frame



TIP: See the IEEE Std 802.1Qbb for a full description of priority-based pause operation.

The controller supports PFC priority-based pause transmission and reception. Before PFC pause frames can be received, bit [16] of the network control register must be set. The start of a PFC pause frame includes:

- Destination address: `0x0180C2000001`
- Source address: 6 bytes
- Type (MAC control frame): `0x8808`
- Pause opcode: `0x0101`
- Priority enable vector: 2 bytes
- Pause times: 8 x 2 bytes

Pause Frame Reception

The ability to receive and decode priority-based pause frames is enabled by setting bit [16] of the network control register. When this bit is set, the controller matches either classic IEEE Std 802.3 pause frames or PFC priority-based pause frames. After a priority-based pause frame is received and matched, the controller only matches on priority-based pause frames (this is an IEEE Std 802.1Qbb requirement, known as PFC negotiation). After a priority-based pause is negotiated, any received IEEE Std 802.3x format pause frames are not acted upon. The state of PFC negotiation is identified using the output `pfc_negotiate`. If a valid priority-based pause frame is received, then the controller decodes the frame and determines which, if any, of the eight priorities are require to be paused. Up to eight pause time registers are then updated with the eight pause times extracted from the frame, regardless of whether a previous pause operation is active or not. When a pause frame is received, an interrupt is triggered in the `APB_Misc_ISR` register (bits [12] or [13]), but only if the interrupt is enabled in the `APB_Misc_IMR` mask register when the pause frame is receive.

Pause frames received with non-zero quantum are indicated through the ISR interrupt bit [12]. Pause frames received with zero quanta are indicated on ISR bit [13]. The state of the eight pause time counters are indicated through the outputs `rx_pfc_paused`. These outputs remain High for the duration of the pause time quanta. The loading of a new pause time only occurs when the controller is configured for full-duplex operation.

If the controller is configured for half-duplex operation, the pause time counters are not loaded, but the pause frame received interrupt is still triggered. A valid pause frame is defined as having a destination address that matches either the address stored in specific address register 1 or if it matches the reserved address of `0x0180C2000001`. It must also have the MAC control frame type ID of `0x8808` and have the pause opcode of `0x0101`.

Pause frames that have FCS or other errors are treated as invalid and are discarded. Valid pause frames received increment the pause frames received statistic register.

The pause time registers decrement every 512-bit times immediately following the PFC frame reception. For test purposes, the retry test bit can be set (`Network_Config` register bit [12]).

After transmission, a pause frame transmitted interrupt is generated (ISR bit [14]) and the only statistics register that is incremented is the pause frames transmitted register.

PFC pause frames can also be transmitted by the MAC using normal frame transmission methods.

Disable Copy of Pause Frames

Receive pause frames are not captured in the RX buffer if `network_config` [`disable_copy_of_pause_frames`, 23] is set = 1.

This setting overrides these conditions:

- [copy_all_frames] bit = 1
- Hash match is true, specific type ID match is true, destination address match is true

Checksum Hardware

The controller can be programmed to perform IP, TCP, and UDP checksum offloading in both receive and transmit directions, enabled by setting bit [24] in the network configuration register for receive, and bit [11] in the DMA configuration register for transmit.

IPv4 packets contain a 16-bit checksum field, which is the 16-bit 1's complement of the 1's complement sum of all 16-bit words in the header. TCP and UDP packets contain a 16-bit checksum field, which is the 16-bit 1's complement of the 1's complement sum of all 16-bit words in the header, the data, and a conceptual IP pseudo header.

Calculating these checksums in software requires each byte of the packet to be processed.

For TCP and UDP a large amount of processing power can deter the process. Offloading the checksum calculation to the GEM controller can result in significant performance improvements.

For IP, TCP, or UDP checksum offload to be useful, the operating system containing the protocol stack must be aware that this offload is available for the GEM controller to either generate or verify the checksum.



IMPORTANT! Checksum offload is not possible when partial store and forward is enabled.

Note: To enable the controller, compute the proper checksum needed by the system software to ensure that the checksum fields are initialized to 0.

RX Checksum Offload

When receive checksum offloading is enabled, the IPv4 header checksum is checked per the IETF Std RFC 791, where the packet meets the following criteria.

- If present, the VLAN header must be four octets long and the CFI bit must not be set
- Encapsulation must be IETF Std RFC 894 Ethernet type encoding or IETF Std RFC 1042 SNAP encoding
- It is a IPv4 packet
- IP header is of a valid length

The controller also checks the TCP checksum per IETF Std RFC 793, or the UDP checksum per IETF Std RFC 768, if the following criteria are met.

- A IPv4 or IPv6 packet
- Good IP header checksum (if IPv4)
- No IP fragmentation
- A TCP or UDP packet

When an IP, TCP, or UDP frame is received, the receive buffer descriptor provides an indication if the controller was able to verify the checksums. There is also an indication if the frame had LLC SNAP encapsulation. These indication bits replace the specific type ID match indication bits when receive checksum offload is enabled.

If any of the checksums are verified to be incorrect by the controller, the packet is discarded and the appropriate statistics counter is incremented.

TX Checksum Offload

The transmitter checksum offload is only available when the full store and forward mode is enabled. This is because the complete frame to be transmitted must be read into the packet buffer memory before the checksum can be calculated and written back into the headers at the beginning of the frame.

Transmitter checksum offload is enabled by setting bit [11] in the DMA configuration register. When enabled, it monitors the frame as it is written into the transmitter packet buffer memory to automatically detect the protocol of the frame. Protocol support is identical to the receiver checksum offload.

For transmit checksum generation and substitution to occur, the protocol of the frame must be recognized and the frame must be provided without the FCS field, by ensuring that bit [16] of the transmit descriptor word [1] is clear. If the frame data already had the FCS field, it would be corrupted by the substitution of the new checksum fields.

If these conditions are met, the transmit checksum offload engine calculates the IP, TCP, and UDP checksums as appropriate. When the full packet is completely written into packet buffer memory, the checksums are valid and the relevant status buffer locations are updated for the new checksum fields as per standard IP/TCP and UDP packet structures.

If the transmitter checksum engine is prevented from generating the relevant checksums, bits [22:20] of the transmitter DMA writeback status are updated to identify the reason for the error. The frame is still transmitted, but without the checksum substitution. Typically the reason that the substitution does not occur is that the protocol is not recognized.

Register Reference

The GEM registers are divided into these groups:

- [Control and Status](#) (from GEM register set)
- [Statistics](#) (from GEM register set)
- [System-Level Registers](#) (from CRL and LPD_IOP_SLCR register sets)
- [AXI Transaction Control](#)

Control and Status

The GEM control registers are summarized in the following table.

Table 163: GEM Control and Status Registers

Register Name	Access Type	Description
Controller and MAC Configuration		
Network_Control Network_Config Network_Status	RW RW R	Network control for RX and TX MACs Network configuration for MACs Network status for PHY management MDIO, priority flow control, LPI, and AXI
Pause_Time	R	Received pause quantum register
Tx_Pause_Quantum	RW	Transmit pause quantum register
PHY Management		
PHY_Manage	RW	PHY maintenance
DMA and Buffer Descriptor Control		
DMA_Config Tx_Status Tx_Q_Ptr Tx_Q1_Ptr Rx_Status Rx_Q_Ptr Rx_Q1_Ptr DMA_Addr_Mask	RW WTC RW RW WTC RW R RW	DMA configuration TX path status TX buffer data start address TX buffer descriptor list address RX path status RX buffer data start address RX buffer descriptor list address RX DMA data buffer address mask
Interrupts		
APB_Misc_ISR APB_Misc_IER APB_Misc_IDR , APB_Misc_IMR	WTC W R	Interrupt status, enable/disable, and mask
Miscellaneous		
PBuf_Tx_CutThru , PBuf_Rx_CutThru	RW	Partial store and forward is only applicable when using the DMA configured in the SRAM-based packet buffer mode. It is not available when using multi-buffer frames. RX partial store and forward.

Table 163: GEM Control and Status Registers (cont'd)

Register Name	Access Type	Description
Jumbo_Max_Length	RW	Maximum jumbo frame size
Ext_FIFO_Interface	RW	Enable external FIFO interface
AXI_Pipeline	RW	AXI maximum pipeline
RSC_Control	RW	Used to enable receive side coalescing on queues 1-15
Intr_Moderation Sys_WakeTime Fatal_Intr_Select	RW	TX and RX moderation control Pause transmission after wake Fatal, non-fatal interrupt select
Lockup_Config Lockup_Config3 RxMAC_Lockup_Time	RW	Lock-up detection and recovery configuration DMA TX lock-up enable control Receive MAC lock-up detection time
Rx_Watermark	RW	RXFIFO watermark levels for pause frames
Hash_L, Hash_U	RW	Hash register lower 31:0 Hash register upper 63:32
Address Filtering and ID Match		
Spec_Addr1_L{1:4} Spec_Addr1_U{1:4} Mask_Addr1_L Mask_Addr1_U Spec_ID1_Match {1:4}	RW	Specific address lower 31:0 Specific address upper 47:32 Specific address mask bottom 31:0 Specific address mask top 47:32 Specific type ID match
Wake_On_Lan	RW	Wake on LAN
Stretch_Ratio	RW	Inter-packet gap stretch
Stacked_VLAN	RW	User defined VLAN, stacked
Tx_PFC_Pause	RW	Transmit PFC pause
Rx_PTP_Unicast Tx_PTP_Unicast TSU_Compare_nS TSU_Compare_Sec_L TSU_Compare_Sec_U	RW	Timestamp control
TSU_PTP_Tx_Sec_U TSU_PTP_Rx_Sec_U TSU_Peer_Tx_Sec_U TSU_Peer_Rx_Sec_U	R	Timestamp status
Timestamp Unit, Precision Time Protocol		
TSU_Timer_NSec TSU_Adjust TSU_Increment	RW	IEEE Std 1588: second, nanosecond counter and adjustment, increment

Table 163: **GEM Control and Status Registers** (cont'd)

Register Name	Access Type	Description
TSU_Timer_SubnSec_L tsu_timer_msb_sec TSU_Timer_Sec TSU_Strobe_Sec_U TSU_Strobe_Sec_L TSU_Strobe_nSec ¹	RW RW R R R	Timestamp timer control and strobe value
TSU_PTP_Tx_Sec TSU_PTP_Tx_nSec TSU_PTP_Rx_Sec TSU_PTP_Rx_nSec TSU_Peer_Tx_Sec TSU_Peer_Tx_nSec GEM.TSU_Peer_Rx_Sec TSU_Peer_Rx_nSec	R	IEEE Std 1588: TX and RX normal/peer second, nanosecond counter
Low-Power Idle Control		
RxLPI_Count RxLPI_AccTime, TxLPI_Count TxLPI_AccTime	R R R R	Transaction count and time
Design Configuration		
IP_Config1	R	Design configuration registers 1 to 12
Miscellaneous		
CBS_Control CBS_IdleQueue_A CBS_IdleQueue_B	RW	Credit-based shaping control
TxBuffer_Addr_U, RxBuffer_Addr_U	RW	Descriptor queue base address
Tx_BD_Control Rx_BD_Control	RW	Timestamp insertion mode
ScreenType1_reg0, ScreenType1_reg1 ScreenType1_reg2, ScreenType1_reg3, ScreenType2_reg0, ScreenType2_reg1, ScreenType2_reg2, ScreenType2_reg3	RW	Screen 1 and 2 control
Tx_Sched_Ctrl BW_Rate_Limit TxQueue_SegAlloc	RW	TX queue scheduling mode, bandwidth weighing, and space allocation
Queue_ISR, Queue_IER, Queue_IDR, Queue_IMR	WTC W R	Queue 1 status and interrupt enable, disable, mask
ScreenType2_Enet_reg0, ScreenType2_Enet_reg1, ScreenType2_Enet_reg2, ScreenType2_Enet_reg3	RW RW	Screen type 2 Ethernet type compare registers

Table 163: GEM Control and Status Registers (cont'd)

Register Name	Access Type	Description
ScreenComp0_wd0, ScreenComp0_wd1 ScreenComp1_wd0, ScreenComp1_wd1 ScreenComp2_wd0, ScreenComp2_wd1 ScreenComp3_wd0, ScreenComp3_wd1	RW	Four screen type 2 compare functions (words 0 and 1)
EnST_StartTime_Q0, EnST_StartTime_Q1, EnST_OnTime_Q0, EnST_OnTime_Q1, EnST_OffTime_Q0, EnST_OffTime_Q1, EnST_Control	RW	Queue start, open, and close times, and enable, disable
Extended Stream Identification Functions		
FRER_Timeout, FRER_RedTag FRER_Control_1A, FRER_Control_1B, FRER_Stats_1A, FRER_Stats_1B Etc., for control/status 1 to 16	RW	Timeout, control, and statistics
RxQueue0_Flush, RxQueue1_Flush	RW	Queue flush
ScreenType2_RateLimit_reg0 ScreenType2_RateLimit_reg1	RW	Maximum rate limit for screen 2

Notes:

1. The timer sync strobe registers are loaded with the value of the timer when the input signal `emio_enet{0:3}_tsu_inc_ctrl[1:0] = 00b`. However, the timer sync strobe registers are updated only when `emio_enet{0:3}_tsu_inc_ctrl` signal toggles between `11b` and `00b`.

Statistics

The statistics registers hold counts for various types of events associated with transmit and receive operations. These registers, along with the status words stored in the receive buffer list, enable software to generate network management statistics compatible with IEEE Std 802.3. These registers are listed in the following table.

Table 164: GEM Statistics Registers

Register Name	Offset Address	Access Type	Description
TxFram_Octet_L, TxFram_Octet_U, TxFrames_Count, TxFrames_Broadcast_Count TxFrames_Multicast_Count TxFrames_Pause_Count TxFrames_64B_Count, TxFrames_65B_Count TxFrames_128B_Count, TxFrames_256B_Count TxFrames_512B_Count, TxFrames_1024B_Count TxFrames_1518B_Count	0x100, 0x104 0x108 0x10C 0x110 0x114 0x118, 0x11C 0x120, 0x124 0x128, 0x12C 0x130	R	TX frames statistics

Table 164: GEM Statistics Registers (cont'd)

Register Name	Offset Address	Access Type	Description
TxFrames_Underrun_Count Single_Collisions_Count, Excessive_Collisions_Count, Late_Collisions_Count	0x134 0x138 0x140 0x144	R	TX statistics
Rx_Octet_Count_L, Rx_Octet_Count_U RxFrames_Count, RxFrames_Broadcast_Count RxFrames_Multicast_Count, RxFrames_Pause_Count, RxFrames_64B_Count, RxFrames_65B_Count, RxFrames_128B_Count, RxFrames_256B_Count, RxFrames_512B_Count, RxFrames_1024B_Count RxFrames_1519B_Count	0x150, 0x154 0x158 0x15C 0x160 0x164 0x168, 0x16C 0x170, 0x174 0x178, 0x17C 0x180	R	RX frame statistics
RxFrames_Undersize_Count RxFrames_Oversize_Count, RxJabber_Count RxFCS_Err_Count, RxLength_Err_Count, RxSymbol_Err_Count, RxAlignment_Err_Count RxResource_Err_Count	0x184 0x188 0x18C 0x190, 0x194, 0x198 0x19C 0x1A0	R	RX statistics
RxOverrun_Err_Count, RxHeader_Err_Count, RxTCP_Checksum_Err_Count RxUDP_Checksum_Err_Count, RxDMA_Flush_Cnt	0x1A4, 0x1A8 0x1AC 0x1B0 0x1B4	R	RX statistics

System-Level Registers

The controller includes registers from multiple system-level register sets:

- CRL to generate clocks and resets
- LPD_IOP_SLCR to control the routing for clocks
- PMC_IOP_SLCR to control the routing for clocks

Note: The GEM_TSU_CLK clock must be active whenever the GEM is used. If the timestamp unit is not used, it still must be actively clocked.

Table 165: GEM System-Level Registers

Register Set	Register Name	Bit Field	Description
Controller Clocks			
CRL	GEM0_REF_CTRL GEM1_REF_CTRL	[SRC_SEL] [DIVISOR] [CLKACT] [CLKACT_TX] [CLKACT_RX]	Clock dividers to generate controller reference clock; independent dividers for each controller.

Table 165: GEM System-Level Registers (cont'd)

Register Set	Register Name	Bit Field	Description
LPD_IOP_SLCR	GEM_Clk_Ctrl	[GEMx_REF_SRC_SEL]	GEM ref clock source: clock divider or EMIO
		[GEMx_RX_SRC_SEL]	RX I/O clock select: MIO or EMIO.
TSU Clock			
CRL	GEM_TSU_REF_CTRL	[SRC_SEL] [DIVISOR] [CLKACT]	TSU reference clock. This clock is common to both controllers.
LPD_IOP_SLCR	GEM_Clk_Ctrl	[TSU_CLK_SEL]	TSU clock select: reference clock or MIO pin (PMC or LPD).
		[TSU_CLK_LB_SEL]	TSU clock loopback select: PS or PL.
TSU Clock Routing			
PMC_IOP_SLCR	MIO_PIN_50 MIO_PIN_51	[LO_SEL]	Select routing through the MIO or, as default EMIO.
LPD_IOP_SLCR	MIO_PIN_24 MIO_PIN_25		
	LPD_MIO_Sel	[GEM0RGMII_SEL] [GEM1RGMII_SEL]	Select I/O between the PMC or LPD MIO.
	GEM_Clk_Ctrl	[GEM0_FIFO_CLK_SEL] [GEM1_FIFO_CLK_SEL]	TX clock select for GMII/MII: normal clock or TX clock loopback from PL.
Controller Resets			
CRL	RST_GEM0 RST_GEM1	[RESET]	Controller reset: High to assert and hold the reset signal.
AXI Host Transaction Attributes			
LPD_IOP_SLCR	GEM0_Route GEM1_Route	[GEM0] [GEM1]	Select between direct access to memory or to FPD SMMU and CCI
	GEM0_Coherent GEM1_Coherent	[GEM0_AXI_COH] [GEM1_AXI_COH]	Define cache attributes for access via FPD SMMU and CCI
	GEM0_QoS GEM1_QoS	[GEM0_QOS] [GEM1_QOS]	Define quality of service attributes; typically best effort (BE) is used

AXI Transaction Control

The AXI transactions generated by the DMA master can be configured for bufferability and coherency.

Table 166: GEM AXI Transaction Control Registers

LPD Register Name	Offset Address	Access Type	Description
Coherency			
GEM0_Coherent GEM1_Coherent	0x0324 0x0344	RW	Select cache coherency policy.
Routing			
GEM0_Route GEM1_Route	0x0328 0x0348	RW	Enable transaction to be routed to CCI.
QoS			
GEM0_QoS GEM1_QoS	0x032C 0x034C	RW	Select QoS bit values

I/O Signal Reference

The GEM controller has several I/O interfaces and routing options:

- [MIO - RGMII](#) on PMC or LPD MIO pins
- [EMIO - GMII/MII](#) port interface signals
- [MDIO PHY Interface](#) on LPD MIO or PL EMIO
- [Timestamp Unit Interface](#) on LPD MIO or PL EMIO or LPD clock controller

MIO - RGMII

The RGMII signals are listed in the following table.

Table 167: GEM Controller RGMII Interface Signals

MIO				
Signal Name	I/O	PMC MIO	LPD MIO	MIO-at-a-Glance Table
GEM0_TX_CLK	Output	26	0	0
GEM0_TXD[0:3]	Output	27:30	1:4	1:4
GEM0_TX_CTRL	Output	31	5	5

Table 167: GEM Controller RGMII Interface Signals (cont'd)

MIO				
Signal Name	I/O	PMC MIO	LPD MIO	MIO-at-a-Glance Table
GEM0_RX_CLK	Input	32	6	6
GEM0_RXD[0:3]	Input	33:36	7:10	7:10
GEM0_RX_CTRL	Input	37	11	11
GEM1_TX_CLK	Output	38	12	0
GEM1_TXD[0:3]	Output	39:42	13:16	1:4
GEM1_TX_CTRL	Output	43	17	5
GEM1_RX_CLK	Input	44	18	6
GEM1_RXD[0:3]	Input	45:48	19:22	7:10
GEM1_RX_CTRL	Input	49	23	11

EMIO - GMII/MII

The I/O interface to the PL provides design flexibility for the interface protocol. The GMII/MII signals on the EMIO interface to the PL can be used to implement interface standards on the PL pins. This is shown in [Block Diagram](#).

MDIO PHY Interface

The MDIO signals are available on the MIO pins or the EMIO port interface signals.

Table 168: GEM Controller MDIO Signals

MIO							EMIO	
Signal Name	I/O	PMC MIO Pin		LPD MIO Pin		MIO-at-a-Glance Table	Signal Name	I/O
		A	B	C	D			
GEM0_MDIO_CLK GEM1_MDIO_CLK	Output	50	~	24	~	0		Output
GEM0_MDIO_DATA GEM1_MDIO_DATA	I/O	51	~	25	~	1		I/O

Timestamp Unit Interface

The timestamp unit (TSU) clock signal can be sourced from the LPD clock controller, an MIO pin, or a EMIO port interface signal. The TSU clock is programmed using the registers listed in [System-Level Registers](#). There is one clock shared by both GEM controllers.

Table 169: GEM Timestamp Unit Interface

MIO							EMIO	
Signal Name	I/O	PMC MIO Pin		LPD MIO Pin		MIO-at-a-Glance Table	Signal Name	I/O
		A	B	C	D			
GEM_TSU_CLK	Input	50	51	24	25	0		
COUNTER	Output	~						
CTRL0	Input							
CTRL1	Input							

GPIO Controller

Two Controllers, Multiple Banks

The general purpose I/O (GPIO) is a collection of input/output signals available to software applications. Each GPIO channel is independently and dynamically programmed as input, output, or interrupt sensing mode.

Software applications can read all GPIO values within a bank using a single load instruction. Software can write data to one or more GPIOs using a single store instruction on a half-bank boundary. The channel architecture is shown in the [Channel Block Diagram](#).

The two GPIO controllers have the same functionality. There are a total of 174 channels in two controllers:

- PMC GPIO controller:
 - Two banks (26 channels each) to PMC MIO
 - Two banks (32 channels each) to PL EMIO
- LPD GPIO controller:
 - One bank (26 channels) to LPD MIO
 - One bank (32 channels) to PL EMIO

The GPIO channels are programmed via an APB slave programming interface; the [Registers](#) section summarizes them.

The [Input Programming Model](#) section shows how to configure a GPIO as an input. The model describes an input can generate a system interrupt.

The GPIO can be an output as described in the [Output Programming Model](#) chapter.

The I/O signal MIO muxing and EMIO port signals are listed in the [GPIO I/O Signals](#) section.

Features

Each GPIO channel can be dynamically programmed on an individual or bank basis.

- Enable, bit or bank data write, output enable and direction controls
 - Enable 3-state output
 - Write output logic level
 - Direction control
- Programmable interrupts on individual GPIO basis
 - Raw status read and masked interrupt
 - Selectable sensitivity: Level-sensitive (High or Low) or edge-sensitive (rising, falling, or both)
- Two methods to write output logic levels:
 - Full-bank write using the DATA_x registers
 - Maskable-bit write on half-bank basis using the MASK_DATA_x_{LWS, MWS} registers
- Simultaneous output switching is possible with one register write
- Input logic levels are read one bank at a time using the DATA_RO_x registers

Comparison to Previous Generation Xilinx Devices

The functionality of the GPIO controller is similar to previous devices. Both devices have the same number of GPIO channels.

Zynq UltraScale+ MPSoC

In the Zynq® UltraScale+™ MPSoC, there is one controller with three MIO banks and three EMIO banks.

- LPD GPIO controller with six banks
 - Three 26-channel banks to MIO (78 channels, total)
 - Three 32-channel banks to EMIO (96 channels, total)

Versal ACAP

In the Versal® ACAP, there are two GPIO controllers.

- PMC GPIO controller with four banks
 - Two 26-channel banks to MIO (52 channels)
 - Two 32-channel banks to EMIO (64 channels)
- LPD GPIO controller with two banks
 - One 26-channel bank to MIO

- One 32-channel bank to EMIO

There are also differences in the MIO buffer control registers. For more information, see the GPIO programming model in [Input Buffer Control Registers](#) section.

System Perspective

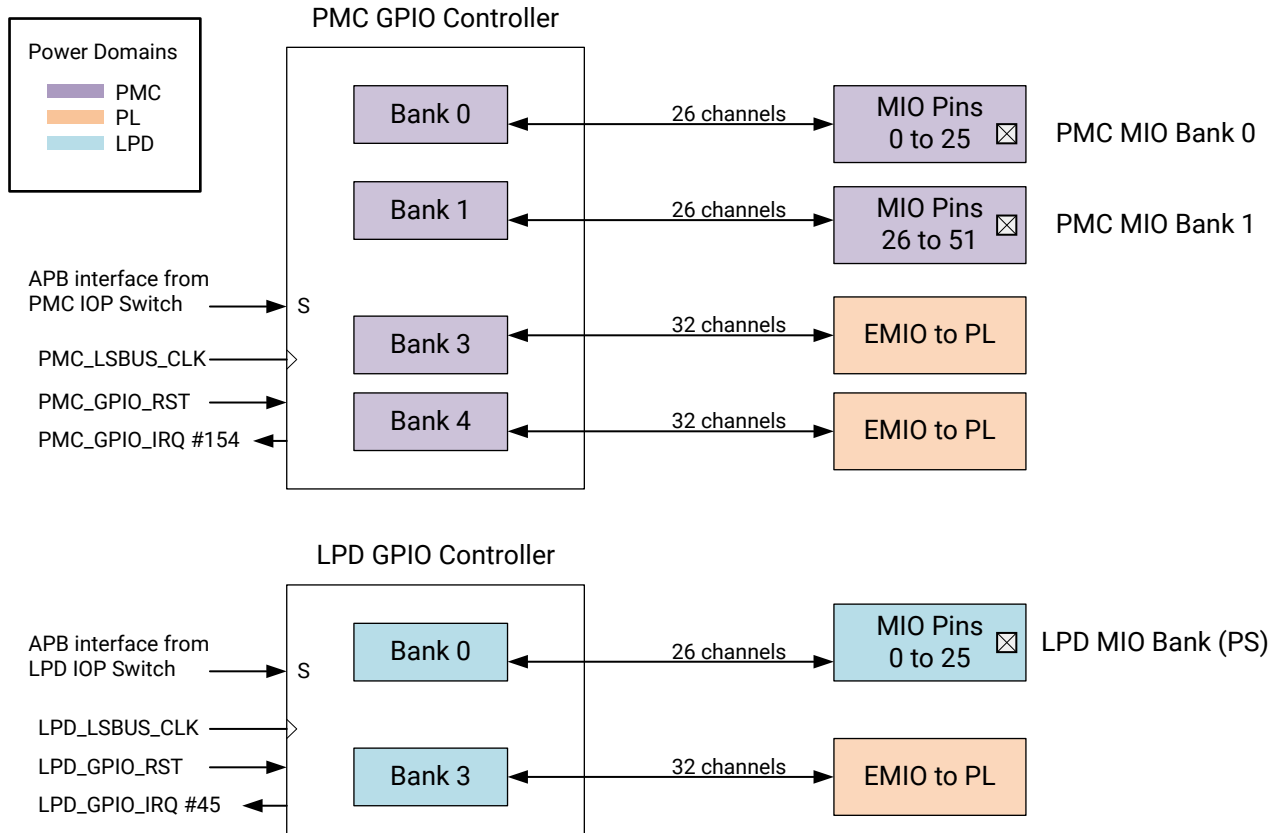
The GPIO controllers are addressed as 32-bit slaves. One controller is connected to the PMC APB switch. The other controller is attached to the LPD APB switch. The controller is clocked by its APB interface clock. Each controller can generate an IRQ system interrupt signal.

The high-level block diagram is shown below. The I/O interface is described in [GPIO I/O Signals](#) section.

Block Diagram

The MIO and EMIO banks for the two controllers are shown in the following figure. Not all banks within a controller are implemented.

Figure 98: High-level Block Diagram



X23483-042420

System Interface

The controller is programmed with a 32-bit APB slave programming interface.

System Signals

Resets

The controllers are reset by the following register bits:

- PMC_GPIO_RST is controlled by CRP [RST_GPIO](#) [RESET].
- LPD_GPIO_RST is controlled by the CRL [RST_GPIO](#) [RESET].

Clocks

The controllers are clocked by their APB interface clock using the following registers:

- PMC_LSBUS_CLK is controlled by CRP [PMC_LSBUS_REF_CTRL](#)
- LPD_LSBUS_CLK is controlled by CRL [LPD_LSBUS_CTRL](#)

Interrupts

Each controller accumulates an OR of all interrupt configured channels. If a input interrupt channel detects an event, the signal is routed to the mask register and OR'd with others to potentially assert a system interrupt signal. The system interrupt is routed to multiple destinations. The signals are listed in the [IRQ System Interrupts](#) table and several several interrupt controllers listed in the [System Interrupt Controllers](#) section. The system IRQ number for each controller:

- LPD_GPIO IRQ#45
- PMC_GPIO IRQ#154

Errors

The controller detects APB address decode errors. When there is an access violation, the controller can optionally generate a SLVERR response to the master and/or generate a system error. There is no other event that can generate a system error.

I/O Interface

Each controller has multiple banks of GPIO channels routed to their local MIO multiplexers or to their PL EMIO. There are three signals from each GPIO channel: input, output, and output enable.

The functionality of a channel is programmed by the GPIO [Registers](#) section.

The PMC and LPD SLCR registers configure the MIO PSIO buffer. This includes input and output characteristics, and tristate control. The SLCR registers can override the signaling from the GPIO controller.

The port interface signals to the PL EMIO consist of an input, output, and output enable for each channel.

MIO Banks

Each MIO bank:

- 26 channels, 26 pins
- Configurable IO buffer characteristics, routing (SLCR registers)
- Separate IO power rail
- Aligned with a GPIO bank

EMIO Banks

Each EMIO bank:

- 32 channels, 96 signals (input, output, enable)
- Aligned with a GPIO bank

The signals are listed in the [GPIO I/O Signals](#) section.

Programming Model

The GPIO controller includes a memory-mapped APB programming interface for software:

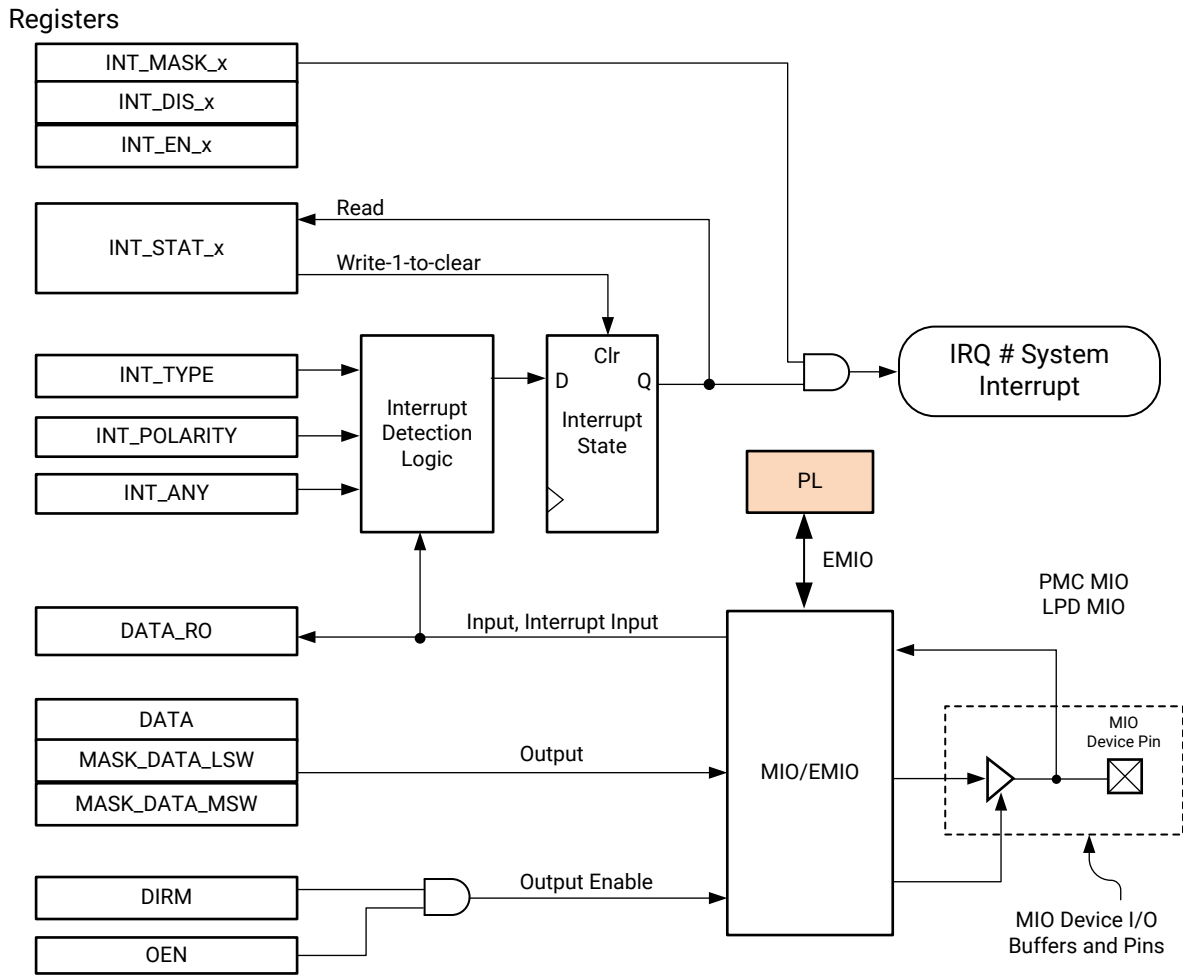
- Mode and status
- Output control
- Input state
- Interrupt configuration

The functionality of the registers is described in the [GPIO Register Descriptions](#) section.

Channel Block Diagram

The functionality of a GPIO channel is illustrated in the following figure.

Figure 99: GPIO Channel Block Diagram



X22680-052220

Input Programming Model

In input mode, the pin voltage level is passed through a meta-stability protection circuit and translated to a logic level. The pin logic level is readable using the DATA_RO registers or the INT_STAT register.

In the latter case, the direction control must be set to 0 for the input from the I/O pad to be passed through to the register. There are two APB address locations allocated to the pin: A read only location for the dedicated path and a read/write location for the registered path. The pin value can be read from either location in the input mode. The two paths produce different values in the output mode with inactive output enable.

Interrupt Programming Model

The interrupt detection logic monitors the GPIO input signal. The interrupt trigger can be a positive edge, negative edge, either edge, Low-level or High-level. The trigger sensitivity is programmed using the INT_TYPE, INT_POLARITY and INT_ANY registers.

If an interrupt is detected, the GPIO's INT_STAT state is set true by the interrupt detection logic. If the INT_STAT state is enabled (unmasked), then the interrupt propagates through to a large OR function. This function combines all interrupts for all GPIOs in all four banks to one output (IRQ ID#52) to the interrupt controller. If the interrupt is disabled (masked), then the INT_STAT state is maintained until cleared, but it does not propagate to the interrupt controller unless the INT_EN is later written to disable the mask. As all GPIOs share the same interrupt, software must consider both INT_MASK and INT_STAT to determine which GPIO is causing an interrupt.

The interrupt mask state is controlled by writing a 1 to the INT_EN and INT_DIS registers. Writing a 1 to the INT_EN register disables the mask allowing an active interrupt to propagate to the interrupt controller. Writing a 1 to the INT_DIS register enables the mask. The state of the interrupt mask can be read using the INT_MASK register.

If the GPIO interrupt is edge sensitive, the INT state is latched by the detection logic. The INT latch is cleared by writing a 1 to the INT_STAT register. For level-sensitive interrupts, the source of the interrupt input to the GPIO must be cleared to clear the interrupt signal. Alternatively, software can mask that input using the INT_DIS register.

The state of the interrupt signal going to the interrupt controller can be inferred by reading the INT_STAT and INT_MASK registers. This interrupt signal is asserted if INT_STAT=1 and INT_MASK=0.

GPIO bank control is summarized as follows:

- INT_MASK: This register is read-only and shows which bits are currently masked and which are un-masked/enabled.
- INT_EN: Writing a 1 to any bit of this register enables/unmasks that signal for interrupts. Reading from this register returns an unpredictable value.
- INT_DIS: Writing a 1 to any bit of this register masks that signal for interrupts. Reading from this register returns an unpredictable value.
- INT_STAT: This registers shows if an interrupt event has occurred or not. Writing a 1 to a bit in this register clears the interrupt status for that bit. Writing a 0 to a bit in this register is ignored.
- INT_TYPE: This register controls whether the interrupt is edge sensitive or level sensitive.
- INT_POLARITY: This register controls whether the interrupt is active-Low or active High (or falling-edge sensitive or rising-edge sensitive).

- **INT_ON_ANY:** If **INT_TYPE** is set to edge sensitive, then this register enables an interrupt event on both rising and falling edges. This register is ignored if **INT_TYPE** is set to level sensitive.

Table 170: GPIO Interrupt Trigger Settings

Type	gpio.INT_TYPE_x	gpio.INT_POLARITY_x	gpio.INT_ANY_x
Rising edge-sensitive	1	1	0
Falling edge-sensitive	1	0	0
Both rising and falling edge-sensitive	1	1	1
Level sensitive, asserted High	0	x	x
Level sensitive, asserted Low	0	1	x

Note: Register writes must be 32 bits.

Output Programming Model

In output mode, the output is driven by a register bit setting. The direction control and the output enable must both be set = 1 for the register setting to appear as an output on the MIO pin.

The direction control can be used to disable the input logic level from being recorded in the data read only (DATA_n_RO) register.

The output enable can be used to control whether an output value is driven on the pin. The actual I/O pad direction is the logical combination of both these signals. The output enable value is ignored when the direction mode is set to input.

Registers

The two GPIO controllers have different registers sets: **PMC_GPIO** and **LPD_GPIO**. There are a total of 174 channels.

- **PMC GPIO controller**
 - Registers 0, 1 control 52 MIO pins for 52 channels
 - Registers 3, 4 connect to 192 EMIO signals to 64 channels

- LPD GPIO controller
 - Register 0 controls 26 MIO pins for 26 channels
 - Register 3 connects to 96 EMIO signals for 32 channels

The register base address for each controller:

- PMC GPIO 0xF102_0000
- LPD GPIO 0xFF0B_0000

Table 171: GPIO Register Overview

PMC GPIO Controller		PMC GPIO Controller		Access Type
PMC_GPIO Register Set	Address Offset	PMC_GPIO Register Set	Address Offset	
Data Read and Write				
MASK_DATA_0_LSW (0, 1, 3, 4) MASK_DATA_0_MSW (0, 1, 3, 4)	0x000 ... 0x004 ...	MASK_DATA_0_LSW (0, 3) MASK_DATA_0_MSW (0, 3)	0x000, 0x018 0x004, 0x01C	R/W, W
DATA_0 (0, 1, 3, 4)	0x040 ...	DATA_0 (0, 3)	0x040, 0x04C	R/W
DATA_0_RO (0, 1, 3, 4)	0x060 ...	DATA_0_RO (0, 3)	0x060, 0x06C	R
I/O Buffer Control				
DIRM_0 (0, 1, 3, 4)	0x204 ...	DIRM_0 (0, 3)	0x204, 0x2C4	R/W
OEN_0 (0, 1, 3, 4)	0x208 ...	OEN_0 (0, 3)	0x208, 0x2C8	R/W
Interrupt Control				
INT_MASK_0 (0, 1, 3, 4)	0x20C ...	INT_MASK_0 (0, 3)	0x20C, 0x2CC	R
INT_EN_0 (0, 1, 3, 4)	0x210 ...	INT_EN_0 (0, 3)	0x210, 0x2D0	W
INT_DIS_0 (0, 1, 3, 4)	0x214 ...	INT_DIS_0 (0, 3)	0x214, 0x2D4	W
INT_STAT_0 (0, 1, 3, 4)	0x218 ...	INT_STAT_0 (0, 3)	0x218, 0x2D8	W1C
INT_TYPE_0 (0, 1, 3, 4)	0x21C ...	INT_TYPE_0 (0, 3)	0x21C, 0x2DC	R/W
INT_POLARITY_0 (0, 1, 3, 4)	0x220 ...	INT_POLARITY_0 (0, 3)	0x220, 0x2E0	R/W
INT_ANY_0 (0, 1, 3, 4)	0x224 ...	INT_ANY_0 (0, 3)	0x224, 0x2E4	R/W

GPIO Register Descriptions

Data Read and Write

- DATA_RO, write-only:

For MIOs, this register always returns the state of the GPIO MIO pin. If the GPIO is configured as an output, this normally reflects the value being driven on the output regardless of the DIRM_x setting.

Note: If the MIO is not configured for this pin as a GPIO, the DATA_RO returns unpredictable results.

- **DATA**, read-write:

This register controls the value to be output when the GPIO signal is configured as an output. All 32 bits of this register are written at one time. Reading from this register returns the previous value written to either DATA or MASK_DATA_{LSW,MSW}, and does not return the current value on the device pin.

- **MASK_DATA_LSW**:

This register enables more selective changes to the desired output value. Any combination of up to 16 bits can be written. Those bits that are not written are unchanged and hold their previous value. Reading from this register returns the previous value written to either DATA or MASK_DATA_{LSW,MSW}; it does not return the current value on the device pin. This register avoids the need for a read-modify-write sequence for unchanged bits.

- **MASK_DATA_MSW**:

This register is the same as MASK_DATA_LSW, except it controls the upper 16 channels of the bank.

I/O Buffer Control

Software configures each GPIO as either an input, output, or interrupt input.

- **DIRM**

Direction mode controls whether the I/O pin is acting as an input or an output. Because the input logic is always enabled, this effectively controls the output driver. When DIRM = 0, the output driver is disabled.

- **OEN**

When the I/O is configured as an output, the OEN controls whether the output is enabled (OEN = 1) or in tristate (OEN = 0).

Note: There are overriding tristate control registers in the PMC_IOP_SLCR and LPD_IOP_SLCR register sets. If a bit in the MIO_MST_TRIn register is set = 1, the output buffer is put in a tristate mode regardless of the state of the OEN signal state from the GPIO controller.

Interrupt Control

There are several interrupt control registers.

- INT_MASK masks the latched INT_STAT value. To generate an interrupt:
 - INT_MASK must = 0 (enable interrupt)
 - INT_STAT must = 1 (active interrupt)
- INT_EN is write-only. Write 1 to enable the interrupt; sets the INT_MASK bit = 0.
- INT_DIS is write-only. Write 1 to disable the interrupt; set the INT_MASK bit = 1.

- INT_STAT indicates if an interrupt event occurred, latched before INT_MASK.
- INT_TYPE is programmed by software to set level (0) or edge (1) sensitivity.
- INT_POLARITY selects between active-Low/falling (0) and active-High/rising (1) sensitivity.
- INT_ANY selects single edge sensitivity defined by INT_POLARITY (0) or either edge event (1).

GPIO I/O Signals

There are two types of GPIO banks:

- MIO pins
- PL EMIO port signals

Each I/O pin can be individually programmed. For example, the PMC MIO pin 0 is controlled by the PMC [MIO_PIN_0](#) register.

Each GPIO channel consists of data in, data out, and 3-state output control. For MIO, these signals control the I/O buffer on the pin pad. For PL EMIO, all three signals connect between the GPIO controller and the PL. The I/O buffer parameters are programmed on a per bank basis.

The LPD GPIO controller attaches to the LPD MIO.

Table 172: GPIO MIO Signals

MIO Pin Signals					
GPIO Bank	Signal Name	I/O	PMC MUX Pin	PS MUX Pin	MIO-at-a-Glance
PMC Bank 0	PMC_GPIO[0:25]	I/O	0:25	~	0:25
PMC Bank 1	PMC_GPIO[26:51]	I/O	26:51	~	26:51
LPD Bank 0	LPD_GPIO[0:25]	I/O	~	0:25	0:25

Table 173: GPIO PL EMIO Signals

EMIO Port Signals		
GPIO Bank	Signal Name	I/O
PMC Bank 3 [0:31]	Input_x	I
	Output_x	O
	Output_En_x	O
PMC Bank 4 [0:31]	Input_x	I
	Output_x	O
	Output_En_x	O

Table 173: **GPIO PL EMIO Signals** (cont'd)

EMIO Port Signals		
GPIO Bank	Signal Name	I/O
LPD Bank 3 [0:31]	Input_x	I
	Output_x	O
	Output_En_x	O

Assigned MIO Signals

Software Allocated Signals

The PMC_GPIO [12] channel is assigned to the reset for the OSPI flash memory device.

EMIO Signals

For each GPIO channel, there are three signals routed to the PL: input, output, and output enable.

The register interface for the EMIO banks is the same as for the MIO banks. However, the EMIO interface is simply wires between the PS and the PL, so there are a few differences:

- The inputs are wires from the PL and are unrelated to the output values or the OEN register. They can be read from the DATA_RO register when DIRM is set to 0, making it an input.
- The output wires are not 3-state capable, so they are unaffected by OEN. The value to be output is programmed using the DATA, MASK_DATA_LSW, and MASK_DATA_MSW registers. DIRM must be set to 1, making it an output.
- The output enable wires are simply outputs from the PS. These are controlled by the DIRM/OEN registers as follows: $EMIOGPIOTN[x] = DIRM[x] \& OEN[x]$.

The EMIO I/Os are not connected to the MIO I/Os in any way. The EMIO inputs cannot be connected to the MIO outputs and the MIO inputs cannot be connected to the EMIO outputs. Each bank is independent and can only be used as software observable/controllable signals.

I2C Controller

The I2C controllers can function as a master or a slave in a multi-master design. They can operate over a clock frequency range up to 400 kb/s. The controller supports multi-master mode for 7-bit and extended 10-bit addressing. The controllers are compatible with the Inter-integrated Circuit (IIC) specification.

In master mode, a transfer can only be initiated by software writing the slave address into the address register. The software is notified of any available received data by a data interrupt or a transfer complete interrupt. If the hold bit is set, the I/O interface holds the clock signal (SCL) Low until after the data is transmitted to support slow software response. The master can be programmed to use both normal addressing and extended addressing. The extended addressing is only supported in master mode.

In slave monitor mode, the controller is set up as a master and continues to attempt a transfer to a particular slave until the slave device responds with an ACK or until the timeout occurs.

The controller supports repeated start functionality. After the start condition, the master can generate a repeated start. This is equivalent to a normal start and is usually followed by the slave I2C address.

A common feature between master mode and slave mode is the timeout interrupt flag bit. If at any point the SCL clock signal is held Low by the master or the accessed slave for more than the period specified in the timeout register, the timeout interrupt bit is set. This can generate an interrupt to the software to avoid stall conditions.

In slave mode, the controller responds to the external master device. A slave cannot initiate a transfer over the I2C bus, only a master can initiate transfers. Both master and slave can transfer data over the I2C bus, but that transfer is always controlled by the master.

There are multiple instances of the I2C controller. They are all similar in functionality.

- LPD_I2C0 in PS
- LPD_I2C1 in PS
- PMC_I2C in PMC

Note: There is also an I2C controller that is dedicated to the system monitor. This is described in the *Versal ACAP System Monitor Architecture Manual* (AM006). The I/O interface for the SYSMON_I2C controller can be accessed via the PMC or LPD MIO pins, or via EMIO interface.

Features

The features of the I2C controllers include the following:

- Programmable bus data rates
 - Normal
 - Fast
- 16-byte FIFO
- Master mode
 - Transmit and receive with 8 or 10-bit addressing
 - Clock stretching by allowing hold for slow processor service
 - [TO] interrupt flag to avoid stall condition
 - Repeated start
 - Slave monitor mode
- Slave mode
 - Transmit and receive with 7-bit addressing
 - Fully programmable slave response address
 - [HOLD] bit helps to prevent the overflow condition
 - [TO] interrupt flag to avoid stall condition
 - Clock stretching helps to delay communication if data is not readily available
- Software driven controller
 - Status polling
 - Interrupt driven with programmability

Comparison to Previous Generation Xilinx Devices

The I2C controllers are similar to the controller in the Zynq® UltraScale+™ MPSoCs with the addition of the following:

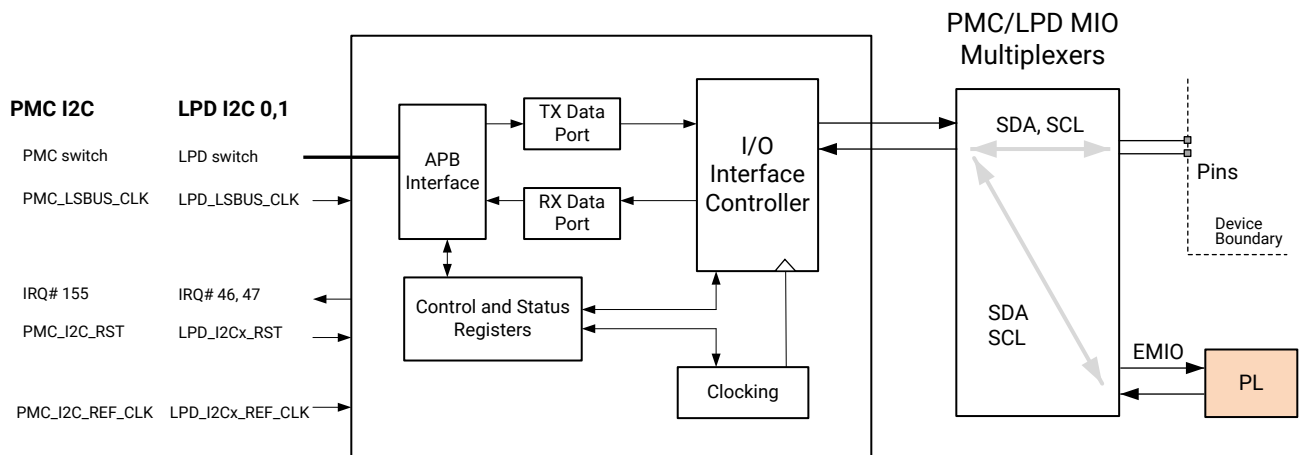
- Data_hold_control register is added to extend the SDA output hold time

System Perspective

Block Diagram

The three instances of I2C in the PMC and PS are shown in the following figure.

Figure 100: I2C System Block Diagram



X23501-063020

System Interface

The I2C controller has a single 32-bit APB slave programming interface.

APB Programming Interface

The programming interface provides access to the configuration, control, and status registers, as well as data ports for the RX and TX message buffers.

- LPD controllers are attached to the LPD IOP slave switch
- PMC controller is attached to the PMC IOP slave switch

An overview of the controller registers is shown in the [Register Reference](#) section.

APB Interface Clock

The APB interface clock is used by the control and status registers, and the glitch filter.

- PMC_LSBUS_CLK
- LPD_LSBUS_CLK (both controllers)

System Signals

Clocks

Each controller receives its own reference clock and the APB programming interface clock.

The clock programming is described in the [Configure Clocks](#) section.

Resets

The controller has one reset state that is entered when the device is locally reset by the SW_Reset register, or by a software reset that includes the LPD, or a POR reset.

The reset control is described in the [Reset Controller](#):

System Interrupt

Each I2C controller generates a system interrupt based events and programming of the I2C interrupt mask register. The IRQ number are shown in [Block Diagram](#). These IRQ numbers are included in the device-level [IRQ System Interrupts](#) table. The I2C interrupt programming is described in the [Interrupts](#) section.

I/O Interface

The options for routing the I2C two wire I/O interface include the LPD MIO pins, the PMC MIO pins, and the PL EMIO. The options are shown in [I2C I/O Interface](#) section and in the device-level [MIO-at-a-Glance](#) table.

Programming Model

The following sections describe how to program and use the I2C controller.

Programming Interface

The I2C controllers includes a simple memory-mapped APB programming interface for software:

- Control and status registers
- Transmit data register port
- Receive data register port

Reset Controller

The following register bits can be used to reset a I2C controller.

- LPD I2C0 reset is controlled by the CRL [RST_LPD_I2C0](#) register
- LPD I2C1 reset is controlled by the CRL [RST_LPD_I2C1](#) register
- PMC I2C reset is controlled by the PMC [RST_I2C](#) register

The [RESET] bits must be toggled by software:

- 0: Run mode
- 1: Reset state

Configure I/O Signals

The SCL and SDA signals can be routed to one of many sets of MIO pins or to the PL EMIO port signal interface by default.

The signal for each MIO pin is routed using SLCR registers:

- [MIO_PIN_0](#) through MIO_PIN_51
- [MIO_PIN_0](#) through MIO_PIN_25

The IOP_SLCR.LPD_MIO_SEL [CANx] register bit selects between the PMC and LPD MIO pin multiplexers.

If a MIO PIN register does not map an I2C I/O pin, then the signal is available as an EMIO port interface signal. The SLCR registers also configure the MIO pin buffer input and output characteristics. The I2C I/O signals are listed in [I2C I/O Interface](#).

Configure Clocks

Clocks are generated by the PMC and LPD clock controllers. The clock generators are described in [System Perspective](#).

The I2C controller receives two clocks.

APB Programming Interface Clock

The APB programming interface is driven by the low-speed interconnect clock. Each register includes the three fields [SRCSEL], [DIVISOR], and [CLKACT].

Control registers:

- PMC_I2C: PMC_LSBUS_CLK

- LPD_I2C{0, 1}: LPD_LSBUS_CLK

Reference Clock

The reference clock is used for the controller logic, registers, and memories. It is also an input to the baud rate generator. Each I2C controller has its own reference clock that comes from the PMC or LPD clock generator. Each register includes the three fields [SRCSEL], [DIVISOR], and [CLKACT].

Clock control registers:

- PMC_I2C_REF_CLK controlled by the CRP [I2C_REF_CTRL](#) register
- LPD_I2C0_REF_CLK controlled by the CRL [I2C0_REF_CTRL](#) register
- LPD_I2C1_REF_CLK controlled by the CRL [I2C1_REF_CTRL](#) register

Interrupts

The Interrupt Status register (LPD_I2C.ISR) bits are sticky and masked by the Interrupt Mask register, LPD_I2C.IMR. Non-masked interrupts are OR'd together to generate a system interrupt.

- LPD_I2C0 = IRQ#46
- LPD_I2C1 = IRQ#47
- PMC_I2C = IRQ#155

Transfer Complete

The COMP interrupt bit functionality depends on the interface mode and the interface activity.

Master Mode

In master write, this bit is always set when all the supplied data is successfully written to the slave and the transfer is about to be terminated with a stop sequence. If the HOLD bit is set, the COMP bit is also set as soon as the data is successfully written to the slave, but the transfer is not terminated at this point. This allows for combined transfers to be performed even when FIFO is implemented. If the host clears the HOLD bit instead of continuing the transfer, the COMP bit is set again during the stop sequence generation.

In master read, this bit is set when all the requested data has been successfully read from a slave and the transfer is to be terminated with a stop sequence.

If FIFO is implemented and hold bit is set, COMP bit is also set as soon as all data is successfully received from the slave, but transfer is not terminated at this point. This allows for combined transfers to be performed even when FIFO is implemented. If the host clears the HOLD bit instead of continuing the transfer, COMP bit is set again during the stop sequence generation.

Slave Mode

In slave receive, this bit is set whenever the master terminates the transfer by generating a stop sequence. In slave transmit, this bit is set whenever all the data supplied by the host is transmitted and the last byte is not acknowledged by the master, which terminates the transfer with a stop sequence.

More Data

The DATA interrupt bit functionality depends on the direction of the data flow.

Master Write or Slave Transmitter

This bit is set whenever there are only two bytes left in the FIFO.

In slave transmitter mode, this bit is also set if the FIFO is emptied but the I2C master returned ACK on the last byte transmitted by the slave.

Master Read or Slave Receiver

This bit is set whenever there are only two free locations in the FIFO.

Transfer not Acknowledged

The function of the NACK interrupt bit is dependent on the interface mode.

Master Mode

This bit is set whenever the accessed slave responds with a NACK during address or data byte transfer.

Slave Mode

This bit is set if the controller is in slave transmitter mode when a master terminates the transfer before all data supplied by the host is transmitted.

Timeout

Master of Slave Mode

The TO interrupt bit is set whenever the I2C_SCL clock signal is kept low for longer time than the value that is specified by the LPD_I2C.Timeout register.

Monitor Slave Ready

These conditions are needed to set the SLV_RDY interrupt bit:

- Interface is in master mode
- The Control CSLVMON bit is set = 1
- The addressed slave returns an ACK

FIFO Receive Overflow

The RX_OVF interrupt bit applies to Master Read or Slave Receiver.

This bit is set whenever the FIFO is full and a new byte is received. The new byte is not acknowledged and contents of the FIFO remains unchanged.

FIFO Transmit Overflow

The TX_OVF interrupt bit is set when software attempts to write to the I2C Data register more times than the FIFO depth.

FIFO Receive Underflow

The RX_UNF interrupt bit is set when software attempts to read from the I2C Data register more times than the value of the Transfer Size register plus one.

Arbitration Lost

The ARB_LOST interrupt bit is set if the master loses bus ownership during a transfer due to ongoing arbitration.

Initiate Data Transfers

Transfers are achieved in polled mode or interrupt-driven mode. The limitation on data count while performing a master read transfer is 255 bytes. The next sections show examples of read and write transfer in master mode and an example in slave monitor mode.

Master Read Using Polled Method

1. Set the transfer direction as read and clear the FIFOs. Write 41h to the Control register.
2. Clear the interrupts. Read and write back the read value of the IRS status register.
3. Write the read data count to the transfer size register and hold bus, if required. Write the read data count value to the Transfer_Size register. If the read data count is greater than the FIFO depth, set Control [HOLD] = 1.
4. Write the slave address. Write the address to the Address register.
5. Wait for data to be received into the FIFO. Poll on Status [RXDV] = 1.
 - a. If Status [RXDV] = 0, and any of the following interrupts are set: Interrupt_Status [NACK], Interrupt_Status [ARB_LOST], Interrupt_Status [RX_OVF], or Interrupt_Status [RX_UNF], then stop the transfer and report the error, otherwise continue to poll on the Status [RXDV].
 - b. If Status [RXDV] = 1, and if any of the following interrupts are set: Interrupt_Status [NACK], Interrupt_Status [ARB_LOST], Interrupt_Status [RX_OVF], or Interrupt_Status [RX_UNF], then stop the transfer and report the error. Otherwise, go to step 6.

6. Read the data and update the count. Read the data from the FIFO until Status [RXDV] = 1. Decrement the read data count and if it is less than or equal to the FIFO depth, clear the Control [HOLD] register.
7. Check for the completion of transfer. If the total read count reaches zero, poll on Interrupt_Status [COMP] = 1. Otherwise, continue from step 5.

Master Read Using Interrupt Method

1. Set the direction of the transfer as read and clear the FIFOs. Write 41h to the Control register.
2. Clear the interrupts. Read and write back the read value to the Interrupt_Status register.
3. Enable the timeout, NACK, RX overflow, arbitration lost, DATA, and completion interrupts. Write 22Fh to the I2C.IER register.
4. Write the read data count to the transfer size register and hold bus, if required. Write the read data count value to the Transfer_Size register. If the read data count is greater than the FIFO depth, set the Control [HOLD] register bit.
5. Write the slave address. Write the address to the Address register.
6. Wait for data to be received into the FIFO.
 - a. If the read data count is greater than the FIFO depth, wait for ISR [DATA] bit = 1. Read 14 bytes from the FIFO. Decrement the read data count by 14 and if it is less than or equal to the FIFO depth, clear the Control [HOLD] register bit.
 - b. Otherwise, wait for ISR [COMP] bit = 1 and read the data from the FIFO based on the read data count.
7. Check for the completion of the transfer. Check if the read count reaches zero. Otherwise, repeat from step 6.

Master Write Using Interrupt Method

1. Set the direction of transfer as write and clear the FIFOs. Write 40h to the Control register.
2. Clear the interrupts. Read and write back the read value to the ISR status register.
3. Enable the timeout, NACK, TX overflow, arbitration lost, DATA, and completion interrupts. Write 24Fh to the IER interrupt enable register.
4. Enable the bus hold logic. Set Control [HOLD] bit if the write data count is greater than the FIFO depth.
5. Calculate the space available in the FIFO. Subtract the Transfer_Size register value from the FIFO depth.
6. Fill the data into the FIFO. Write the data to the Data register based on the count obtained in step 5.

7. Fill the data into the FIFO. Write the data to the Data register based on the count obtained in step 5.
8. Wait for the data to be sent. Check that the ISR [COMP] bit is set.
 - a. If writing further data, repeat steps 5, 6, and 8.
 - b. If there is no further data, set Control [HOLD] bit = 0.
9. Wait for the completion of transfer. Check that the ISR [COMP] register bit is set = 1.

Slave Monitor Mode

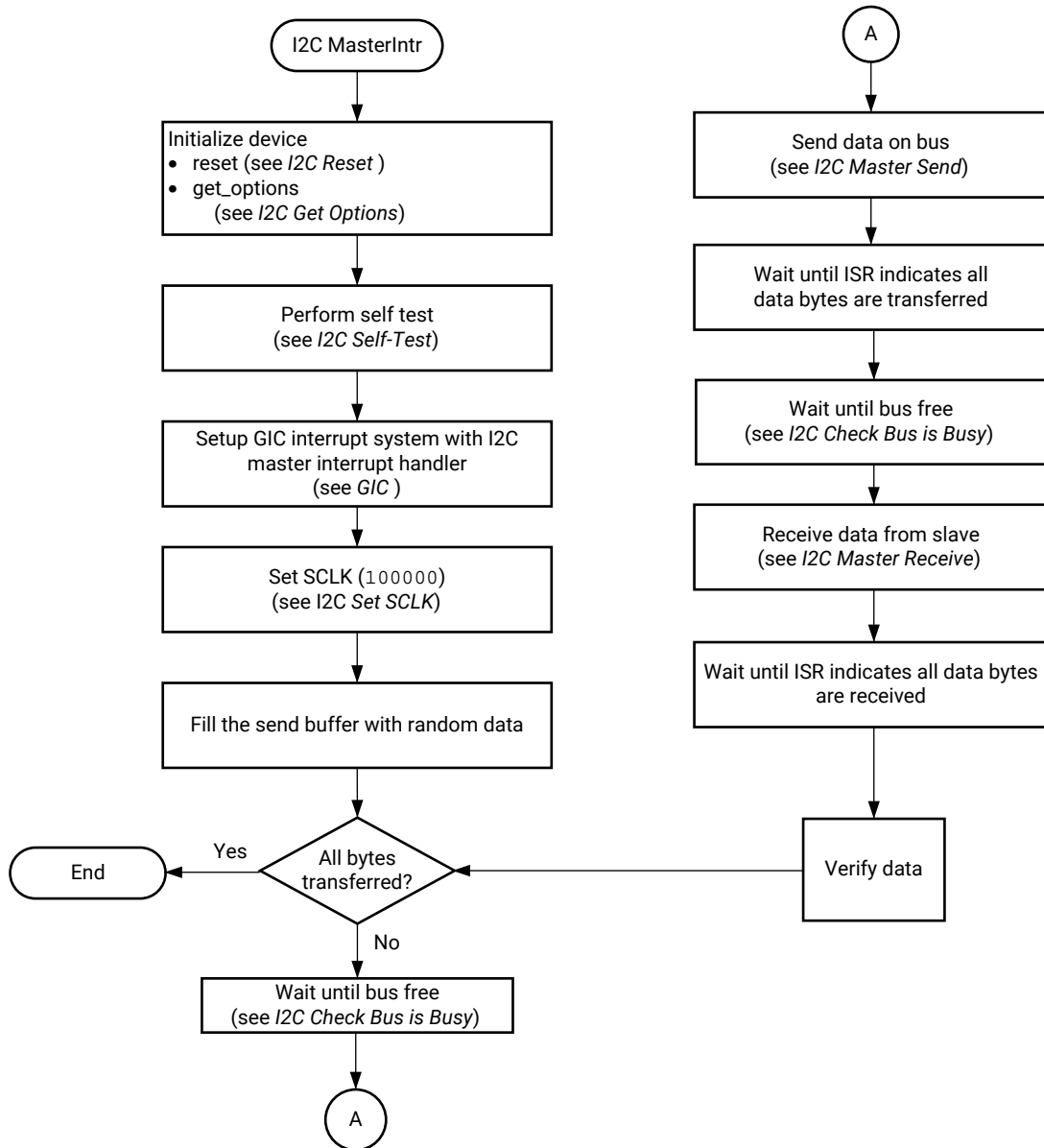
The slave monitor mode helps to monitor when the slave is in the busy state. The slave ready interrupt occurs only when the slave is not busy. This process can only be performed in master mode.

1. Select slave monitor mode and clear the FIFOs. Write 60h to the Control register.
2. Clear the interrupts. Read and write back the read value to the ISR status register.
3. Enable the interrupts. Set the IER [SLV_RDY] bit = 1.
4. Set the slave monitor delay. Write Fh to the Slave_Mon_Pause register.
5. Write the slave address. Write the address to the Address register.
6. Wait for the slave to be ready. Poll on ISR [SLV_RDY] status register bit until = 1.

Programming Sequences

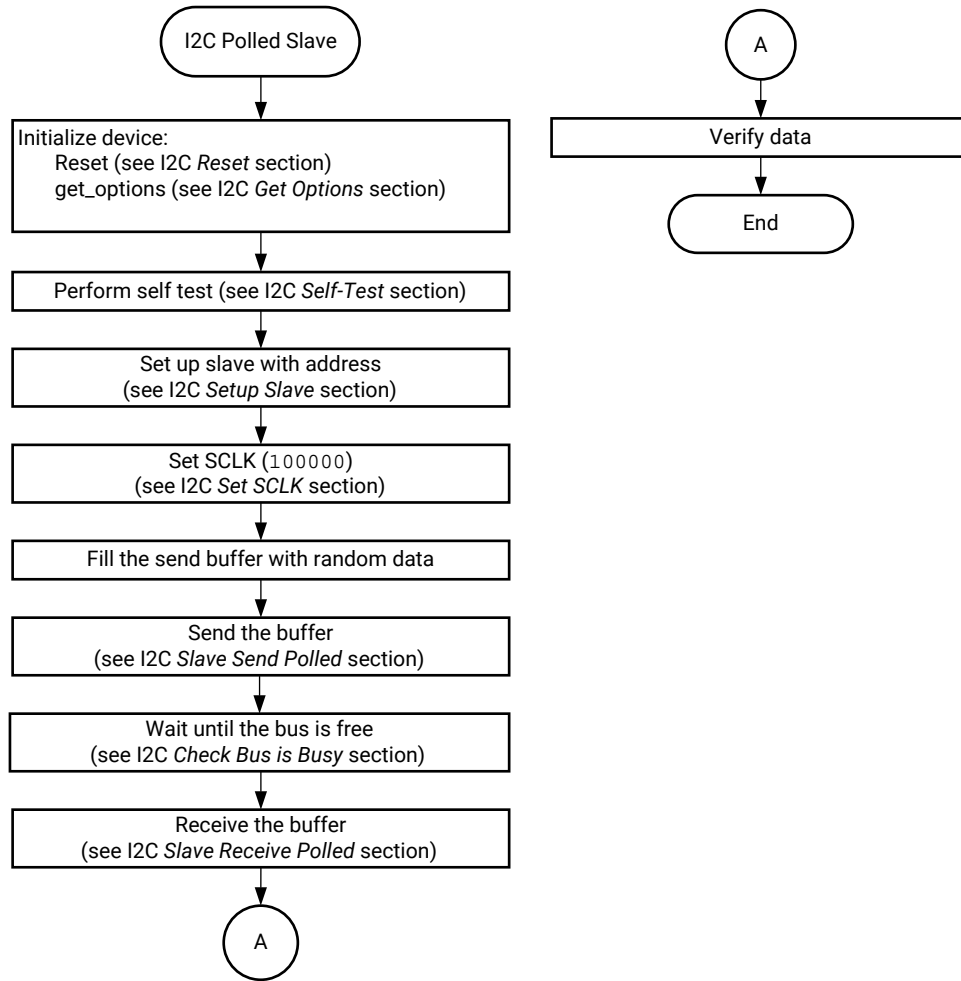
The flow diagram for the I2C controller programming sequence is shown in the following two figures.

Figure 101: I2C Master Interrupt Example Flowchart



X23505-110619

Figure 102: I2C Slave Polled Example Flowchart



X23506-110619

Software Routines

Reset

Table 174: I2C Reset

Task	Register	Register Field	Bits	Operation
Abort Start				
Save interrupt mask register	IMR, 0x20	All	9:0	Read operation
Disable all interrupts	IDR, 0x28	All	9:0	Write 2FFh

Table 174: I2C Reset (cont'd)

Task	Register	Register Field	Bits	Operation
Reset configuration and clear FIFOs	Control, 0x00	All	15:0	Write 40h
Read interrupt status register	ISR, 0x10	All	9:0	Read operation
Write back interrupt status register	ISR, 0x10	All	9:0	Clear bits detected as set
Restore interrupt state	IER, 0x24	All	9:0	0x2FF and ~IMR
Abort End				
Reset configuration	Control, 0x00	All	15:0	Write 0h
Reset time out	Time_Out, 0x1C	All	7:0	Write FFh
Disable all interrupts	IDR, 0x28	All	9:0	Write 2FFh

Get Options

Table 175: I2C Get Options

Task	Register	Register Field	Bits	Operation
Read control register	Control, 0x00	All	15:0	Read operation

Check Bus is Busy

Table 176: I2C Check Bus is Busy

Task	Register	Register Field	Bits	Operation
Read bus active state	Status, 0x04	BA	8	Read operation
If set bus is busy, else bus is free.				

Transmit FIFO Fill

Table 177: I2C Transmit FIFO Fill

Task	Register	Register Field	Bits	Operation
Read transfer size register	Transfer_Size, 0x14	Transfer_Size	7:0	Read operation
Calculate available bytes = FIFO DEPTH(16) – Transfer_Size.				
Fill data register with the data until available bytes count is reached. See Send Byte .				

Send Byte

Table 178: I2C Send Byte

Task	Register	Register Field	Bits	Operation
Write byte into data register	Data, 0x0C	DATA	7:0	Write data

Reset Hardware

Table 179: I2C Reset Hardware

Task	Register	Register Field	Bits	Operation
Disable all interrupts	IDR, 0x28	All	9:0	2FFh
Clear Interrupt Status				
Read interrupt status register	ISR, 0x10	All	9:0	Read operation
Write back interrupt status register	ISR, 0x10	All	9:0	Clear bits detected as set
Clear hold, master enable, and acknowledge bits.				
Read control register	Control, 0x00	All	15:0	Read operation
Clear bits	Control, 0x00	CLR_FIFO, HOLD, ACK_EN, MS	6, 4, 3, and 1	(~(0x0015) 0x0040) (hex)
Reset time out	Time_Out, 0x1C	All	7:0	FFh
Clear transfer size register	Transfer_Size, 0x14	Transfer_Size	7:0	Write 00h
Clear status register				
Read status register	ISR, 0x04	All	8:0	Read operation
Write back status register	ISR, 0x04	All	8:0	Read value
Reset configuration register	Control, 0x00	All	15:0	Write 0000h

Setup Master

Table 180: I2C Setup Master

Task	Register	Register Field	Bits	Operation
Read control register	Control, 0x00	All	15:0	Read operation
If [HOLD] is set = 1, then check if bus is busy (see Check Bus is Busy). If bus is busy, return.				
Setup master	Control, 0x00	CLR_FIFO, HOLD, ACK_EN, NEA, MS	6, 4, 3, 2, and 1	5Eh
For Receiver Role				
Enable master receiver	Control, 0x00	RW	0	1

Table 180: I2C Setup Master (cont'd)

Task	Register	Register Field	Bits	Operation
For Transmitter Role				
Enable master transmitter	Control, 0x00	RW	0	0
Disable all interrupts	IDR, 0x28	All	9:0	2FFh

Master Send

Table 181: I2C Master Send

Task	Register	Register Field	Bits	Operation
Set repeated start if data is more than FIFO depth				
Set hold bit	Control, 0x00	HOLD	4	1
Setup master for transmitter role (see Setup Master).				
Transmit FIFO full (see Transmit FIFO Fill).				
Program transfer address	Address, 0x08	ADD	9:00	Address
Enable interrupts	IER, 0x24	ARB_LOST, NACK, COMP	9, 2, and 0	205h

Master Receive

Table 182: I2C Master Receive

Task	Register	Register Field	Bits	Operation
Set repeated start if data is more than FIFO depth.				
Set hold bit	Control, 0x00	HOLD	4	1
Setup master for receiver role (see Setup Master).				
Program transfer address	Address, 0x08	ADD	9:00	Write address
Setup transfer size	Transfer_Size, 0x14	Transfer_Size	7:00	Required transfer size
Enable interrupts	IER, 0x24	ARB_LOST, RX_OVF, NACK, COMP	9, 5, 2, and 1	
			0	227h

Master Send Polled

Table 183: I2C Master Send Polled

Task	Register	Register Field	Bits	Operation
Set repeated start if data is more than FIFO depth.				
Set hold bit	Control, 0x00	HOLD	4	1

Table 183: I2C Master Send Polled (cont'd)

Task	Register	Register Field	Bits	Operation
Setup master for transmitter role (see Setup Master).				
Read interrupt status register	ISR, 0x10	All	9:0	Read operation
Write back interrupt status register	ISR, 0x10	All	9:0	Clear bits detected as set
Transmit first FIFO full of data (see Transmit FIFO Fill).				
Program transfer address	Address, 0x08	ADD	9:0	Address
Read interrupt status register	ISR, 0x10	All	9:0	Read operation
Perform the following steps as long as no errors are reported by hardware from the status register read and total bytes are sent.				
Read status register	Status, 0x04	All	8:0	Read operation
Read interrupt status register	ISR, 0x10	All	9:0	Read operation
Transmit first FIFO full of data (see Transmit FIFO Fill).				
Check for transfer completion				
Read interrupt status register	ISR, 0x10	All	9:0	Read operation
If any error reported by hardware transfer failed.				
Clear hold bit if not repeated start operation	Control, 0x00	HOLD	4	0

Master Receive Polled

Table 184: I2C Master Receive Polled

Task	Register	Register Field	Bits	Operation
Set repeated start if data is more than FIFO depth.				
Set hold bit	Control, 0x00	HOLD	4	1
Setup master for receiver role (see Setup Master).				
Read interrupt status register	ISR, 0x10	All	9:0	Read operation
Write back interrupt status register	ISR, 0x10	All	9:0	Clears bits detected as set
Transfer address	Address, 0x08	ADD	9:0	Address
Program transfer size	Transfer_Size, 0x14	Transfer_Size	7:0	Required transfer size
Read interrupt status register	ISR, 0x10	All	9:0	Read operation
Start Loop 1: perform the following steps as long as receiving bytes and no errors reported from hardware.				
Read status register	Status, 0x04	All	8:0	Read operation
Start Loop 2: perform the following steps as long as RXDV bit is non zero in SR.				

Table 184: I2C Master Receive Polled (cont'd)

Task	Register	Register Field	Bits	Operation
Clear repeat start if receive byte count is less than 14	Control, 0x00	HOLD	4	0
Receive byte	Data, 0x0C	DATA	7:0	Read operation
Read status register	Status, 0x04	All	8:0	Read operation
End Loop 2				
If receive byte count is >0 and bytes still need to be received.				
Read interrupt status register	ISR, 0x10	All	9:0	Read operation
Write back interrupt status register	ISR, 0x10	All	9:0	Clears bits detected as set
If receive byte count > maximum transfer size, then program transfer size	Transfer_Size, 0x14	Transfer_Size	7:0	Maximum transfer size
Else program with required transfer size	Transfer_Size, 0x14	Transfer_Size	7:0	Required transfer size
Read interrupt status register	ISR, 0x10	All	9:0	Read operation
End Loop 1				
Clear hold bit if not repeated start operation	Control, 0x00	HOLD	4	0
If any error reported by hardware transfer failed else transfer success.				

Enable Slave Monitor

Table 185: I2C Enable Slave Monitor

Task	Register	Register Field	Bits	Operation
Clear transfer size register	Transfer_Size, 0x14	Transfer_Size	7:0	0
Enable slave monitor mode	Control, 0x00	MS NEA CLR_FIFO SLVMON	15:0	0066h
Enable slave monitor interrupt	IER, 0x24	SLV_RDY	4	1
Initialize slave monitor register	Slave_Mon_Pause, 0x18	Pause	3:0	Fh
Program transfer address	Address, 0x08	ADD	9:0	Address

Disable Slave Monitor

Table 186: I2C Disable Slave Monitor

Task	Register	Register Field	Bits	Operation
Disable slave monitor mode	Control, 0x00	SLVMON	5	0
Disable slave monitor interrupt	IER, 0x24	SLV_RDY	4	0

Master Send Data

Table 187: I2C Master Send Data

Task	Register	Register Field	Bits	Operation
Transmit first FIFO full of data (see Transmit FIFO Fill).				
Set repeated start bit if requested	Control, 0x00	HOLD	4	1

Master Interrupt Handler

Table 188: I2C Master Interrupt Handler

Task	Register	Register Field	Bits	Operation
Read interrupt status register	ISR, 0x10	All	9:0	Read operation
Write back interrupt status register	ISR, 0x10	All	9:0	Clear bits detected as set
Get the enabled interrupts	IMR, 0x20	All	9:0	Read operation
ISR & IMR				
Check if hold bit is set (isHold)	Control, 0x00	HOLD	4	Read operation
If send operation && (ISR & [COMP])				
Send data (see Master Send Data).				
If receive operation && (ISR & [COMP]) (ISR & [DATA]).				
Perform the following operations until receive data valid mask is set (loop-1 started).				
Read status register	Status, 0x04	All	8:0	Read operation
Clear hold bit if not needed	Control, 0x00	HOLD	4	0
Receive byte	Data, 0x0C	DATA	7:0	Read operation
Loop-1 Ended				
If receive byte count is >0 and bytes still need to be received.				
Read interrupt status register	ISR, 0x10	All	9:0	Read operation

Table 188: I2C Master Interrupt Handler (cont'd)

Task	Register	Register Field	Bits	Operation
Write back interrupt status register	ISR, 0x10	All	9:0	Clear bits detected as set
If receive byte count > maximum transfer size then setup transfer size	Transfer_Size, 0x14	Transfer_Size	7:0	Maximum transfer size
Else program with required transfer size	Transfer_Size, 0x14	Transfer_Size	7:0	Required transfer size
Enable interrupts	IER, 0x24	ARB_LOST, RX_OVF, NACK, DATA, COMP	9, 5, 2, 1 and 0	227h
Clear hold bit if all interrupts attended	Control, 0x00	HOLD	4	0
Clear hold bit if slave ready interrupt is triggered	Control, 0x00	HOLD	4	0
Clear hold bit if any other interrupts occurred (event errors)	Control, 0x00	HOLD	4	0

Setup Slave

Table 189: I2C Setup Slave

Task	Register	Register Field	Bits	Operation
Clear ack_en, nea, FIFO, and set master in slave mode	CONTROL, 0x00	CLR_FIFO, ACK_EN, NEA, MS	6, 3, 2, and 1	2Ch
Disable all interrupts	IDR	All	9:0	2FFh
Transfer address	ADDR, 0x08	ADD	9:0	Address

Slave Send

Table 190: I2C Slave Send

Task	Register	Register Field	Bits	Operation
Enable interrupts	IER, 0x24	TX_OVF, TO, NACK, DATA, COMP	6, 3, 2, 1, and 0	4Fh

Slave Receive

Table 191: I2C Slave Receive

Task	Register	Register Field	Bits	Operation
Enable interrupts	IER, 0x24	RX_UNF, RX_OVF, TO, NACK, DATA, COMP	7, 5, 3, 2, 1, and 0	AFh

Slave Send Polled

Table 192: I2C Slave Send Polled

Task	Register	Register Field	Bits	Operation
Use RXRW bit in status register to wait master to start a read.				
Read status register	Status, 0x04	All	8:0	Read operation
Check the RXRW bit is set by reading status register continuously. If master tries to send data, it is an error.				
Read interrupt status register	ISR, 0x10	All	9:0	Read operation
Write back interrupt status register	ISR, 0x10	All	9:0	Clear bits detected as set
Send data as long as there is more data to send and there are no errors (see Send Byte).				
Read status register	Status, 0x04	All	8:0	Read operation
Wait for master to read the data out of the TX FIFO; [SR] & [TXDV] != 0 and there are no errors.				
Read interrupt status register	ISR, 0x10	All	9:0	Read operation
If master terminates the transfer before all data is sent, it is an error (interrupt status register and NACK).				
Write back interrupt status register	ISR, 0x10	All	9:0	Clear bits detected as set

Slave Receive Polled

Table 193: I2C Slave Receive Polled

Task	Register	Register Field	Bits	Operation
Read status register	Status, 0x04	All	8:0	Read operation
Read interrupt status register	ISR, 0x10	All	9:0	Read operation
Write back interrupt status register	ISR, 0x10	All	9:0	Clear bits detected as set
Read status register	Status, 0x04	All	8:0	Read operation
Write back status register	Status, 0x04	All	8:0	Write status
Read status register	Status, 0x04	All	8:0	Read operation
Perform the following operations until all bytes received (Loop-1 started).				
Perform the following operations as long as SR and RXDV = 0 (Loop-2 started).				
Read status register	Status, 0x04	All	8:0	Read operation
If (status register and (DATA COMP) != 0) && (status register and RXDV == 0) && receive byte count > 0) then it is a failure.				
Write back interrupt status register	ISR, 0x10	All	9:0	Clear bits detected as set
Loop-2 ended				
Perform the following operations until status register and RXDV != 0 and receive byte count != 0 (Loop-3 started).				
Receive byte	Data, 0x0C	DATA	7:0	Read operation

Table 193: I2C Slave Receive Polled (cont'd)

Task	Register	Register Field	Bits	Operation
Read status register	Status, 0x04	All	8:0	Read operation
Loop-3 ended				
Loop-1 ended				

Receive Data

Table 194: I2C Receive Data

Task	Register	Register Field	Bits	Operation
Read status register	Status, 0x04	All	8:0	Read operation
Until (status register and RXDV) && receive byte count !=0 (Loop -1 started).				
Receive byte	Data, 0x0C	DATA	7:0	Read operation
Read status register	Status, 0x04	All	8:0	Read operation
Loop-1 ended				

Slave Interrupt Handler

Table 195: I2C Slave Interrupt Handler

Task	Register	Register Field	Bits	Operation
Read interrupt status register	ISR, 0x10	All	9:0	Read operation
Write the status back to clear the interrupts so no events are missed while processing this interrupt.				
Write back interrupt status register	ISR, 0x10	All	9:0	Clear bits detected as set
Get the enabled interrupts (imr)	IMR, 0x20	All	9:0	Read operation
<p>Use the mask register AND with the interrupt status register so disabled interrupts are not processed (~(imr) and IntrStatusReg).</p> <p>Data interrupt (if interrupt status register and data):</p> <ul style="list-style-type: none"> Master wants to perform more data transfers. Check for completion of transfer; signal upper layer if done. <p>For sending transmit FIFO fill (see Transmit FIFO Fill).</p> <p>Else receive slave data (see Slave Receive).</p>				

Set and Clear Options

Table 196: I2C Set and Clear Options

Task	Control Register Field (offset 0x00)	Bits	Set Option	Clear Option
For 7-bit address option	NEA	2	1	0
For 10-bit address option	NEA	2	0	1
Slave monitor option	SLVMON	5	1	0
For repeated start option	HOLD	4	1	0

Set SCLK Frequency

Table 197: I2C Set SCLK Frequency

Task	Register	Register Field	Bits	Operation
Test for an active transfer; read the transfer size register	Transfer_Size, 0x14	Transfer_Size	7:0	Read operation
	If the Transfer_Size register is not = 0, then stop here. If the device is currently transferring data, the transfer must complete or be aborted before setting options.			
Program the clock divisor values	Control, 0x00	divisor_a divisor_b	15:14 13:8	Write operation
	$I2C_SCLK \text{ frequency} = I2C_REF_CLK \text{ frequency} / (22 \times (Div_a + 1) \times (Div_b + 1))$.			

Get SCLK Frequency

$I2C_SCLK \text{ frequency} = I2C_REF_CLK \text{ frequency} / (22 \times (Div_a + 1) \times (Div_b + 1))$.

Table 198: I2C Get SCLK Frequency

Task	Register	Register Field	Bits	Operation
Read the divisor values: Div_a and Div_b	Control	divisor_a divisor_b	15:14 13:8	Read operation

Self-Test

Table 199: I2C Self-Test

Task	Register	Register Field	Bits	Operation
All I2C registers should be in their default state.				

Table 199: I2C Self-Test (cont'd)

Task	Register	Register Field	Bits	Operation
Read control register (CR)	Control, 0x00	All	15:0	Read operation
Read interrupt mask register (imr)	IMR, 0x20	All	9:00	Read operation
If (CR != 0) OR if (IMR != 0x2FF), stop here.				
Perform reset (see Reset Hardware).				
Write test value (0x05) into slave monitor register	Slave_Mon_Pause, 0x18	Pause	3:0	5h
Read back slave monitor register	Slave_Mon_Pause, 0x18	Pause	3:0	Read operation
Verify the value with the written value. If not the same, test failed; else passed.				
Reset slave monitor register	Slave_Mon_Pause, 0x18	Pause	3:0	0h

Register Reference

Register overview tables:

- [I2C Registers](#)
- [SLCR I/O Interface Registers](#)
- [System-level Clock and Reset Registers](#)

The registers are programmed by software through the APB slave interface.

Interrupt status and control registers detect events and monitor system state to generate system interrupts.

I2C Registers

Each controller has a set of I2C registers. The PMC has a separate register set, PMC_I2C from the LPD controllers, LPD_I2C. The controllers have identical functionality with separate memory-mapped register base address locations:

- PMC_I2C base address is 0xF100_0000
- LPD_I2C0 base address is 0xFF02_0000
- LPD_I2C1 base address is 0xFF03_0000

The registers are listed in the following table.

Table 200: I2C Register Overview

Register Name	Address Offset	Access Type	Description
PMC_I2C.Control LPD_I2C.Control	0x000	R/W	I/O protocol, clock divider
PMC_I2C.Status LPD_I2C.Status	0x004		Read data available
PMC_I2C.Address PMC_I2C.Data LPD_I2C.Address LPD_I2C.Data	0x008 0x00C	R/W	Address; 7 or 10-bit field 8-bit data field
PMC_I2C.Transfer_Size LPD_I2C.Transfer_Size	0x014	R/W	0 to 255 transfer size
PMC_I2C.Slave_mon_pause LPD_I2C.Slave_mon_pause	0x018	R/W	0 to 7 pause interval
PMC_I2C.Timeout LPD_I2C.Timeout	0x01C	R/W	32 to 127 timeout interval
PMC_I2C.ISR PMC_I2C.IMR PMC_I2C.IER PMC_I2C.IDR LPD_I2C.ISR LPD_I2C.IMR LPD_I2C.IER LPD_I2C.IDR	0x010 0x020 0x024 0x028	R, W1C R W W	Interrupts: status is after mask. Enabled interrupts are OR'ed together and generate a system interrupt.
PMC_I2C.Glitch_Filter LPD_I2C.Glitch_Filter	0x02C	R/W	Glitch filter control
PMC_I2C.Data_Hold_Ctrl LPD_I2C.Data_Hold_Ctrl	0x030	R/W	Data hold control

SLCR I/O Interface Registers

The system-level registers are summarized in the following table. These registers are used to route the two I/O signals to MIO device pins.

Table 201: I2C SLCR Registers

Register Name	Address	Access Type	Description
MIO_PIN_0 +	0xF106_0000 +	RW	52 Registers: PMC MIO pin 0 to PMC MIO pin 51

Table 201: I2C SLCR Registers (cont'd)

Register Name	Address	Access Type	Description
MIO_PIN_0 +	0xFF08_0000 +	RW	26 Registers: LPD MIO pin 0 to LPD MIO pin 25

System-level Clock and Reset Registers

The clock and reset control registers are summarized in the following table.

Table 202: I2C Clock and Reset Registers

Register Name	Address	Access Type	Description	Signal Name
PMC_I2C				
I2C_REF_CTRL	0xF126_0130	RW	Reference clock	PMC_I2C_REF_CLK
RST_I2C	0xF126_0314	RW	Controller reset	PMC_I2C_RESET
LPD_I2C0				
I2C0_REF_CTRL	0xFF5E_0140	RW	Reference clock	LPD_I2C0_REF_CLK
RST_LPD_I2C0	0xFF5E_0330	RW	Controller reset	LPD_I2C0_RESET
LPD_I2C1				
I2C1_REF_CTRL	0xFF5E_0144	RW	Reference clock	LPD_I2C1_REF_CLK
RST_LPD_I2C1	0xFF5E_0334	RW	Controller reset	LPD_I2C1_RESET

I2C I/O Interface

The I2C controller I/O interface is routed to both the PMC and LPD MIOs, and the EMIO. The MIO signals are shown in the [MIO-at-a-Glance](#) and all signals are detailed in the following table.

Table 203: I2C Controller I/O Signals

MIO					EMIO Signals	
Signal Name	I/O	PMC MIO Pin	LPD MIO Pin	MIO-at-a-Glance Table	Signal Name	I/O
LPD I2C0 Controller						
LPD_I2C0_SCL	I/O	MIO-at-a-Glance		0		
LPD_I2C0_SDA	I/O			1		
LPD I2C1 Controller						
LPD_I2C1_SCL	I/O	MIO-at-a-Glance		0		
LPD_I2C1_SDA	I/O			1		

Table 203: I2C Controller I/O Signals (cont'd)

MIO					EMIO Signals	
Signal Name	I/O	PMC MIO Pin	LPD MIO Pin	MIO-at-a-Glance Table	Signal Name	I/O
PMC I2C Controller						
PMC_I2C_SCL	I/O	MIO-at-a-Glance		0		
PMC_I2C_SDA	I/O			1		
SYSMON I2C Controller						
SYSMON_I2C_SCL	I/O	MIO-at-a-Glance		0		
SYSMON_I2C_SDA	I/O			1		
SYSMON_I2C_ALERT	I/O			2		

SPI Controller

The SPI bus controller enables communications with a variety of peripherals such as memories, temperature sensors, pressure sensors, analog converters, real-time clocks, displays, and any SD card with serial mode support. The SPI controller can function in master mode with multi-master feature, slave mode, or loopback test mode.

There are two instances of the SPI controller. Both the controllers are identical and independent. The SPI controllers are located in the LPD power domain of the PS.

The I/O interfacing options include the PMC and LPD MIO pins.

Software accesses the control and status registers via the APB slave programming interface on the LPD IOP switch.

Features

The controller provides these features:

- Full-duplex operation offers simultaneous receive and transmit
- Four wire SPI bus: MISO, MOSI, SCLK, CS_b
- Master with multi-master feature, slave, and loopback modes
- Three slave selects in master mode with expansion to eight with external 3:8 decoder
- Multi-master environment: identifies an error condition if more than one master detected
- Control and status registers are accessible via the APB programming interface
- Data ports for RX and TX data mapped to the register set
- Buffered operations with separate RX and TX FIFOs
- Programmable master-mode clock frequencies
- Serial clock with programmable polarity
- Programmable transmission format
- FIFO level status read registers
- FIFO level interrupts with programmable RX and TX FIFO thresholds

Comparison to Previous Generation Xilinx Devices

The functionality of the SPI controllers in the Versal® ACAP is the same as in the Zynq® UltraScale+™ MPSoC.

System Perspective

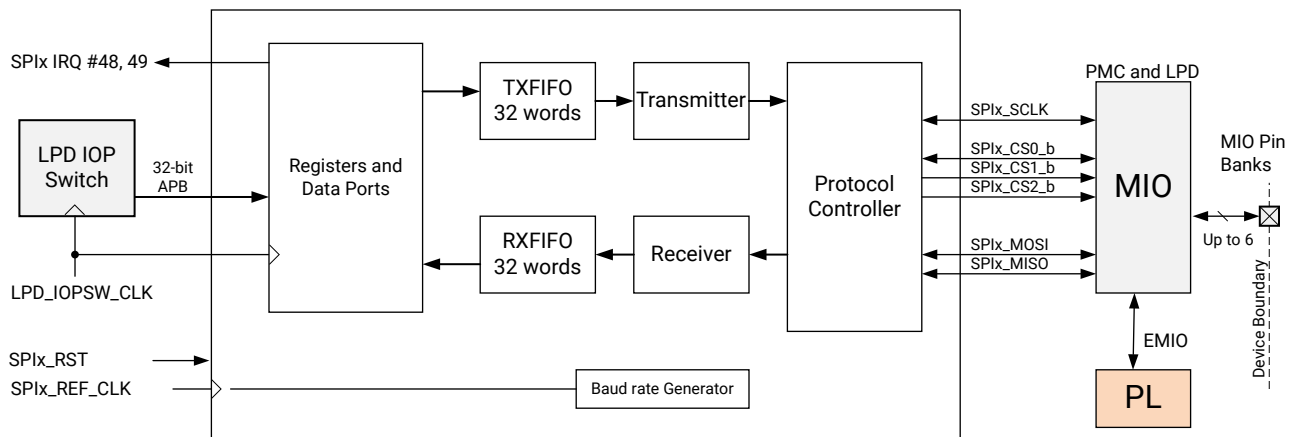
The system perspective section includes:

- [UART SBSA Block Diagram](#)
- [System Interface](#)
- [System Signals](#)
- [I/O Interface Overview](#)
- [Programming Model Overview](#)

Block Diagram

The following figure shows the SPI high-level block diagram.

Figure 103: SPI High-Level Block Diagram



X23781-050221

The controller includes several functional units:

- TX FIFO and transmitter datapath
- RXFIFO and receiver datapath
- Master and slave protocol units

System Interface

The SPI controller has a single 32-bit APB programming interface.

APB Programming Interface

The programming interface provides access to the configuration, control, and status registers. An overview of the controller registers is shown in [Register Reference](#).

Interface Clock

The controller is clocked by the APB programming interface. The interface is clocked by the LPD_LSBUS_CLK clock.

System Signals

System signals:

- [SPI Clocks](#)
- [Controller Reset](#)

SPI Clocks

There are three clocks associated with a SPI controller.

- SPI_x_REF_CLK controller reference clock
- LPD_LSBUS_CLK for the APB programming interface
- SPI_x_SCLK on SPI bus

Clock frequency guidelines are included in the [I/O Peripheral Clock Frequency Requirements](#) section.

Reference Clock

Each controller is provided a SPI_x_REF_CLK from the LPD clock controller. This clock is used by the majority of the controller logic. Reference clocks are programmed by the LPD clock controller using the CRL [SPI0_REF_CTRL](#) and [SPI1_REF_CTRL](#) registers.

I/O SCLK Clock

The I/O SCLK is generated by dividing down the SPI_REF_CLK using the [Config](#) [BAUD_RATE_DIV] bit field. The divide-down ratio options include /4, /8, /16, ..., /256.

APB Programming Interface Clock

The controller is also clocked by the LPD_LSBUS_CLK for the APB programming interface. This clock is common to all LPD controllers on the IOP switch and is controlled by the [LPD_LSBUS_CTRL](#) register.

Controller Reset

The controller has a single reset state. The SPI_RESET signal is controlled by the LPD reset controller. See the CRL [RST_SPIO](#) register.

I/O Interface Overview

Master Mode SCLK

In master mode, the interface is clocked by the controller-generated SCLK that is derived from the SPIx_REF_CLK using the baud rate divider. The divider is programmed using the [Config](#) [BAUD_RATE_DIV] bit field. The range of the baud rate divider is from a minimum of 4 to a maximum of 256 in binary steps (i.e., divide by 4, 8, 16, 32,... 256).

Master Mode Clock Requirement

The external device must synchronously drive the signal inputs to the SCLK output clock. The clock frequency specifications are defined in [References](#).

Slave Mode SCLK

In slave mode, the external device generates the SCLK. The controller samples the input signals and drives the MISO signal using the SCLK from the attached master. The input signals are synchronized to the SPIx_REF_CLK and then interpreted by the protocol controller.

Programming Model Overview

The programming model is defined in the SPI register set, which includes control and status plus TX and RX data ports.

The programming model can be divided into these sections:

- Configuration and mode control
- Master mode
- Slave mode
- [Data Loopback Mode](#)

Modes and States

The SPI controller operates in three modes:

- Master mode with multi-master feature
- Slave mode
- Data loopback mode

Note: There are clock ratio requirements for the SPI_REF_CLK and the APB programming interface clock. The ratio depends on the operating mode and are defined in the [I/O Peripheral Clock Frequency Requirements](#) section.

Master Mode

In master mode, the SPI I/O interface transmits data to a slave or initiates a transfer to receive data from a slave. In this mode, the controller drives the serial clock and slave selects with an option to provide a multi-master functionality. The serial clock is derived from the SPI_REF_CLK from the LPD clock controller.

The SPI selects one slave device at a time using one of the three slave select lines. If more than three slave devices need to be connected to the master, a 3-to-8 decoder can be added on the MIO or EMIO interface. The multiplexer is enabled using the [Config \[PERI_SEL\]](#) bit.

The controller initiates messages using up to three individual slave select output signals that can be externally expanded. The controller reads and writes to the slave devices by writing bytes to the 32-bit read/write data port register.

Multi-master Functionality

For multi-master, the controller is programmed for master mode [MODE_SEL] and can initiate transfers on any of the slave selects. When the software is ready to initiate a transfer, it enables the controller using the [SPI_EN] bit. When the transaction is finished, the software disables the controller. The controller cannot be selected by an external master when the controller is in master mode.

When the multi-master feature is enabled, the controller's output signals are 3-stated when the controller is not active. The controller detects another master on the bus by monitoring the open-drain slave select signal (active-Low). The detection mechanism is enabled by the [Modedefail_gen_en]. When the controller detects another master:

- Tristates the I/O outputs
- Sets the **ISR** [MODE_FAIL] interrupt status bit to indicate the fault
- Clears the **Enable** [SPI_EN] control bit

The [MODE_FAIL] interrupt enables the software to abort the transfer, reset the controller, and resend the transfer.

Slave Mode

In slave mode, the controller receives the serial I/O clock from the master device and uses the SPI_REF_CLK to synchronize data capture in the controller.

The slave mode includes a programmable start detection mechanism when the controller is enabled while the chip select (CS_b) signal is asserted. The read and write FIFOs provide buffering between the SPI I/O interface and the software servicing the controller via the APB slave interface. The FIFOs are used for both slave and master I/O modes.

Data Loopback Mode

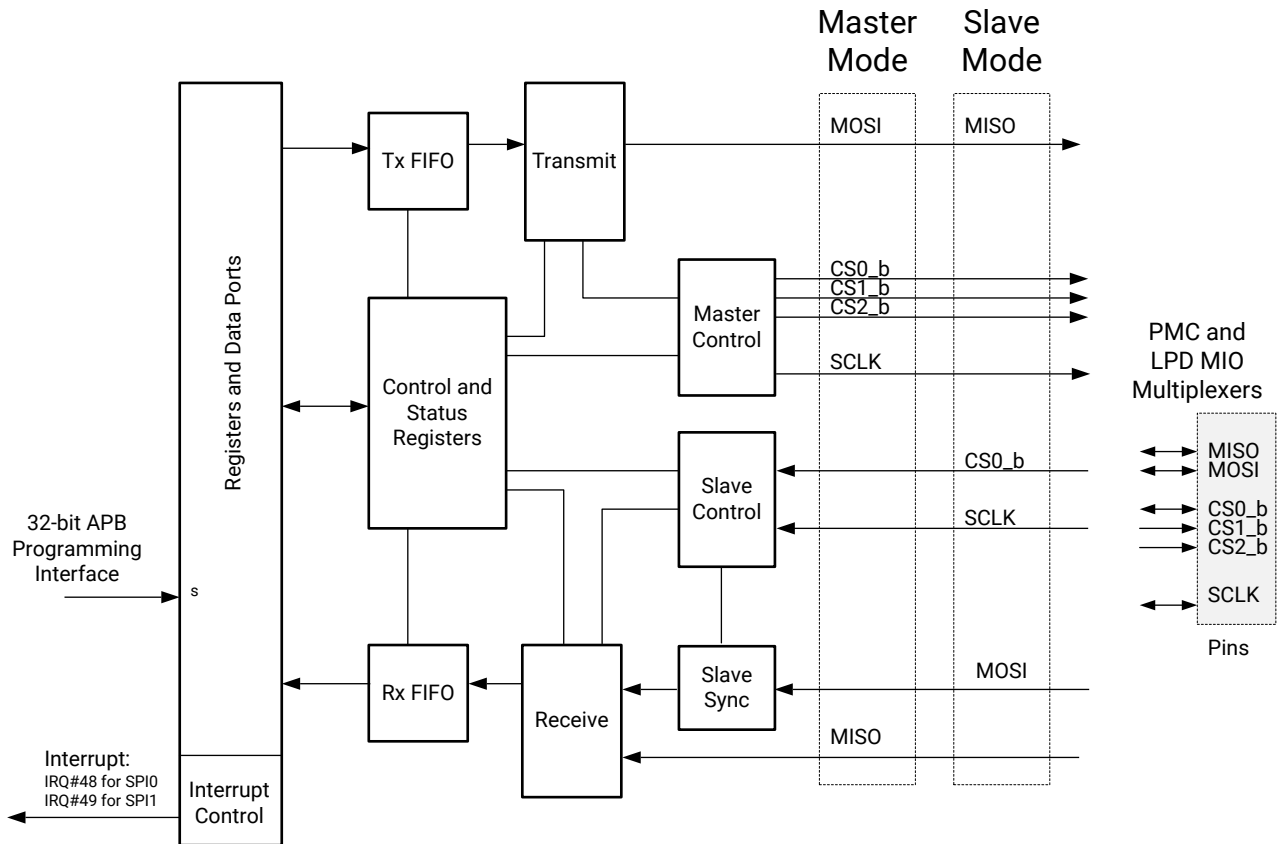
For data loopback, the I/O signals of the two controllers are connected together: the clock, slave select, MISO, and MOSI signals from one controller are connected to the other controller's clock, slave, MISO, and MOSI signals, respectively. This connection is internal to the controller and does not use any MIO pins.

The loopback mode is selected by setting the [MIO_Bank2_Loopback](#) [SPI0_LOOP_SPI1] bit = 1.

Functional Diagram

The following figure shows the SPI controller functional block diagram. There is also a higher-level system [Block Diagram](#).

Figure 104: SPI Functional Diagram



X23467-071020

FIFOs

The RX and TX FIFOs are each 128-bytes deep. Software reads and writes these FIFOs using the data port registers `RX_data` and `TX_data`.

RXFIFO

If the controller hardware attempts to push data into a full RXFIFO, the data is lost and the sticky overflow interrupt flag is set. No data is added to a full RXFIFO. Software writes a 1 to the interrupt to clear the `ISR [RX_OVERFLOW]` bit.

TXFIFO

If software attempts to write data into a full TXFIFO, the write is ignored. No data is added to a full TXFIFO. The `ISR [TX_FIFO_full]` bit is asserted until the TXFIFO is read and the TXFIFO is no longer full. If the TXFIFO overflows, the sticky `[RX_OVERFLOW]` bit is set = 1.

Data Transfer

The SPI controller follows a specific series of operations to initiate and control the data transfers on the SPI bus. This section details the data transfer handshake mechanisms.

Data Transfer

The SCLK clock and MOSI signals are under control of the master. Data to be transmitted is written into the TXFIFO by software using register writes and then unloaded for transmission by the controller hardware in a manual or automatic start sequence. Data is driven onto the master output (MOSI) data pin. Transmission is continuous while there is data in the TXFIFO. Data is received serially on the MISO data pin and is loaded eight bits at a time into the RXFIFO. Software reads the RXFIFO using register reads. For every n bytes written to the TXFIFO, there are n bytes stored in RXFIFO that must be read by software before starting the next transfer.

Auto/Manual Slave Select and Start

Data transfers on the I/O interface can be manually started using software or automatically started by the controller hardware. Also, the slave select assertion/deassertion can be controlled by the hardware or the software.

- Manual slave select

Software selects the manual slave select method by setting the [Config](#) [Manual_CS] bit = 1. In this mode, software must explicitly control the slave select assertion/deassertion. When the [Manual_CS] bit = 0, the controller hardware automatically asserts the slave select during a data transfer.

- Automatic slave select

Software selects the auto slave select method by programming the [Manual_CS] bit = 0. The SPI controller asserts/deasserts the slave select for each transfer of TXFIFO content on to the MOSI signal. Software writes data to the TXFIFO and the controller asserts the slave select automatically, transmits the data in the TXFIFO, and then deasserts the slave select. The slave select gets deasserted after all the data in the TXFIFO is transmitted. This is the end of the transfer. Software ensures the following in automatic slave select mode.

- Software continuously fills the TXFIFO with the data bytes to be transmitted, without the TXFIFO becoming empty, to maintain an asserted slave select
- Software continuously reads data bytes received in the RXFIFO to avoid overflow

Software uses the TXFIFO and RXFIFO threshold levels to avoid FIFO under- and over-flows. The TXFIFO's not-full condition is flagged when the number of bytes in TXFIFO is less than the TXFIFO threshold level. The RXFIFO full condition is flagged when the number of bytes in RXFIFO is equal to 128.

Manual Start

This section describes how to start data transfers in manual mode.

Enable

Software selects the manual transfer method by setting the [Config](#) [Man_start_en] bit = 1. In this mode, software must explicitly start the data transfer using the manual start command mechanism. When the [Man_start_en] bit = 0, the controller hardware automatically starts the data transfer when there is data available in the TXFIFO.

Command

Software starts a manual transfer by writing a 1 to the [Man_start_com] bit. When the software writes the 1, the controller hardware starts the data transfer and transfers all the data bytes present in the TXFIFO. The [Man_start_com] bit is self-clearing. Writing a 1 to this bit is ignored if [Man_start_en] = 0. Writing a 0 to [Man_start_com] has no effect, regardless of mode.

Clocking

The slave select input pin must be driven synchronously with respect to the SCLK input. The controller operates in the SPI_REF_CLK clock domain. The input signals are synchronized and analyzed in the SPI_REF_CLK domain.

Word Detection

The start of a word is detected in the SPI_REF_CLK clock domain.

- *Detection when controller is enabled:* if the controller is enabled (from a disabled state) at a time when the slave select is active-Low, the controller ignores the data and waits for the SCLK to be inactive (a word boundary) before capturing data. The controller counts SCLK inactivity in the SPI_REF_CLK domain. A new word is assumed when the SCLK idle count reaches the value programmed into the SPI.SLV_IDLE [Slave_Idle_count] bit field.
- *Detection when slave select is asserted:* with the controller enabled and slave select is detected as High (inactive), the controller assumes the start of the word occurs on the next active edge of SCLK after slave select transitions active-Low.

Start Condition

The start condition must be held active for at least four SPI_REF_CLK cycles to be detected. If slave mode is enabled at a time when the master is very close to starting a data transfer, there is a small probability that false synchronization will occur, causing packet corruption. This issue is avoided by ensuring any of the following:

- External master does not initiate a data transfer until at least ten SPI_REF_CLK cycles are complete after slave mode is enabled
- Slave mode is enabled before the attached master is enabled

- Slave select input signal is not active when the slave is enabled

Register Reference

SPI controller and system-level registers:

- [Controller Registers](#)
- [System Level Registers](#)

Controller Registers

The SPI register set is summarized in the following table.

Table 204: SPI Controller Register Set Overview

Register Name	Offset Address	Access	Description
Config	0x000	R/W	Controller configuration.
ISR IER IDR IMR	0x004 0x008 0x00C 0x010	WTC W W W	Interrupts; status is after the mask.
Enable	0x014	R/W	Controller enable.
Delay	0x018	R/W	Master mode only. Extends bus timing related to the SPIx_CS_b output.
TxData RxData	0x01C 0x020	W R	TX and RX FIFO data ports.
SlaveIdle	0x024	R/W	Slave mode only. SCLK idle count for hardware to measure to detect a transaction start.
TxThresh RxThresh	0x028 0x02C	R/W R/W	Defines the fill level for TX FIFO not full and RX FIFO not empty.

System Level Registers

The system level registers include the CRL clock and reset, and I/O routing SLCR registers.

- [SPIO_REF_CTRL](#) (reference clock)
- [SPI1_REF_CTRL](#) (reference clock)
- [RST_SPIO](#) (reset)
- [RST_SPI1](#) (reset)

I/O Interface

The SPI controller I/O interface is routed to both the PMC and LPD MIOs, and the EMIO. The MIO signals are shown in the [MIO-at-a-Glance](#) and all signals are detailed in the following table. The I/O signals are shown in the [Functional Diagram](#).

Table 205: SPI Controller I/O Signals

MIO				
Signal Name	I/O	PMC MIO Pin	LPD MIO Pin	MIO-at-a-Glance Table
Master and Slave Signals				
SPIO_SCLK SPI1_SCLK	I/O	MIO-at-a-Glance		5
SPIO_MISO SPI1_MISO	I/O			1
SPIO_MOSI SPI1_MOSI	I/O			0
SPIO_CS0_b SPI1_CS0_b	I/O			2
Master-only Signals				
SPIO_CS1_b SPI1_CS1_b	O	MIO-at-a-Glance		3
SPIO_CS2_b SPI1_CS2_b	O			4

UART Controller

The UART controller is a full-duplex asynchronous receiver and transmitter that supports a wide range of programmable baud rates. The server-based system applications (SBSA) functionality is defined by the Arm® architecture.

There are two UART controllers, and they are located in the LPD IOP.

The UART performs the following:

- Serial-to-parallel conversion on data received from a peripheral device
- Parallel-to-serial conversion on data transmitted to a peripheral device

The software performs reads and writes of data and control/status information via the APB slave interface. The transmit and receive register ports are buffered with internal RX and TX FIFOs with up to 32B of storage.

The UART includes a programmable baud rate generator that generates a common transmit and receive clock from the UARTX_REF_CLK.

The maximum baud rates in different modes are as follows:

- 921600 bps, in UART mode
- 460800 bps, in IrDA mode
- 115200 bps, in low-power IrDA mode

Features

- 32 deep ×8-bit wide transmit FIFO
- 32 deep ×12-bit wide receive FIFO
- Standard asynchronous communication bits (start, stop and parity)
- Independent interrupt masking:
 - Transmit and receive FIFOs
 - Receive timeout, modem status, and error condition

- False start bit detection
- Line break generation and detection
- Modem control functions CTS, DCD, DSR, RTS, DTR, and RI

Programmable Parameters

- Programmable hardware flow control
- Fully-programmable serial interface characteristics
 - 5, 6, 7, or 8-bit data
 - Even, odd, stick, or no-parity bit generation and detection
 - 1 or 2 stop bit generation
 - Baud rate generator; DC up to $UARTx_REF_CLK/16$
- Communication baud rate, integer, and fractional parts
- FIFO enable (32 deep) or disable (1 deep)
- FIFO trigger levels selectable between 1/8, 1/4, 1/2, 3/4, and 7/8

Modem Operation

The UART can be used to support the data terminal equipment (DTE) and the data communication equipment (DCE) modes of operation.

Comparison to Previous Generation Xilinx Devices

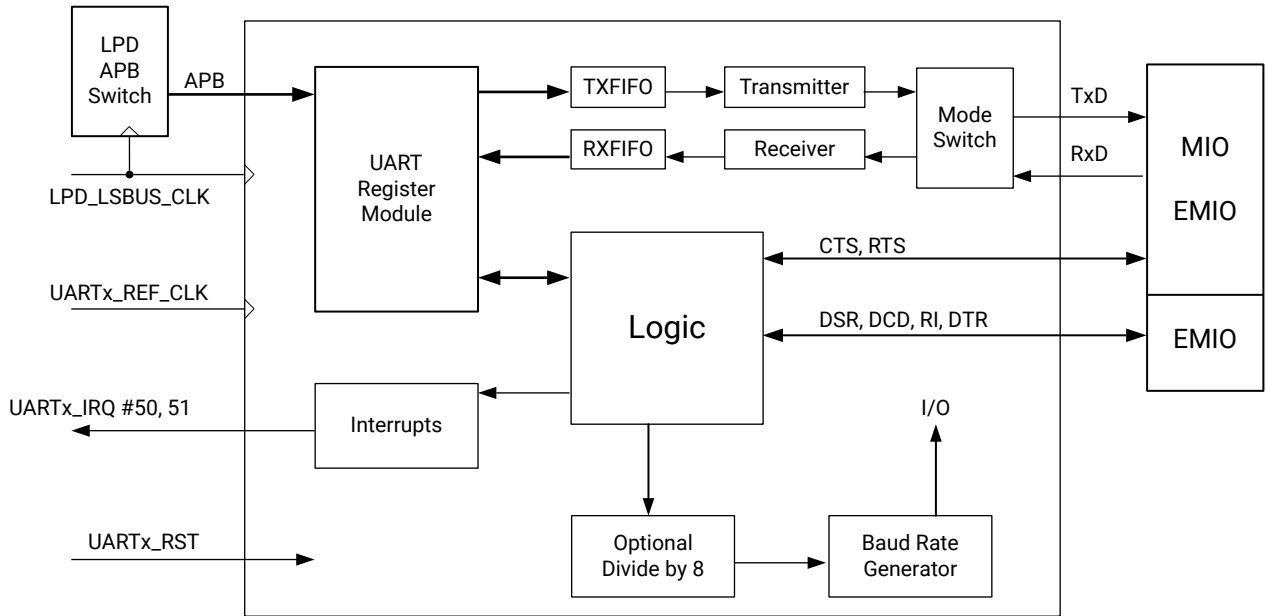
The UART is based on Arm IP r1p5-00rel1. It includes enhancements for the server-based system applications, SBSA, defined by the Arm[®] architecture. Additional changes include the RTS and CTS flow control signals available on the MIO pins and IrDA mode. The UART controller in Zynq[®] UltraScale+™ MPSoC is based on Cadence IP.

System Perspective

Block Diagram

The high-level block diagram for the UART controller is shown in the following figure.

Figure 105: UART Controller High-level Block Diagram



X23882-092821

System Interface

The single APB programming interface provides access to the read/write control and status registers, and the transmit and receive FIFOs. An APB interface, connected to the IOP slave switch 32-bit APB bus is used for all controller configuration, control, and data transfer operations.

System Signals

UART Clocks

The UART system clocks include:

- LPD_LSBUSS_CLK for the APB programming interface
- UARTx_REF_CLK for the controller logic

Both of these clocks always come from the LPD clock controller and its [CRL](#) register module.

Controller Reset

A single active-Low reset is used by the controller. The UART controller is reset by configuring the registers [RST_UART0](#) [RESET] and [RST_UART1](#) [RESET].

Modes and States

UART Mode

The operation and baud rate values are controlled by the line control register, UART LCR_H, and the baud rate divisor registers

- Integer baud rate register, UART [BAUD_INTEGER](#)
- Fractional baud rate register, UART [BAUD_FRACT](#)

The UART generates individual, maskable interrupts:

- Receiver (including timeout)
- Transmitter
- Modem status
- Error conditions

The interrupts are OR'd together to generate the system interrupt: IRQ #50 for UART0 and IRQ51 for UART1.

When a framing, parity, or break error occurs during reception, the appropriate error bit is set. When an overrun condition occurs, the overrun register bit is set immediately and FIFO data is prevented from being overwritten.

The FIFOs can be programmed to be 1-byte deep providing a conventional double-buffered UART interface.

The modem status input signals Clear To Send (CTS), Data Carrier Detect (DCD), Data Set Ready (DSR), and Ring Indicator (RI) are supported. The output modem control lines, Request To Send (RTS), and Data Terminal Ready (DTR) are also supported.

Hardware flow control feature uses the UARTx_CTS_b input and the UARTx_RTS_b output to automatically control the serial data flow.

IrDA Mode

The serial infrared (SIR) controller contains an IrDA SIR ENDEC. The SIR ENDEC can be enabled for serial communication through nSIROUT and SIRIN.

When the SIR ENDEC is enabled, the UARTx_TXD line is held in the passive state (High logic level) and transitions of the modem status, or the UARTx_RXD line have no effect. The SIR ENDEC can receive and transmit, but it is half-duplex only, so it cannot receive while transmitting, or transmit while receiving.

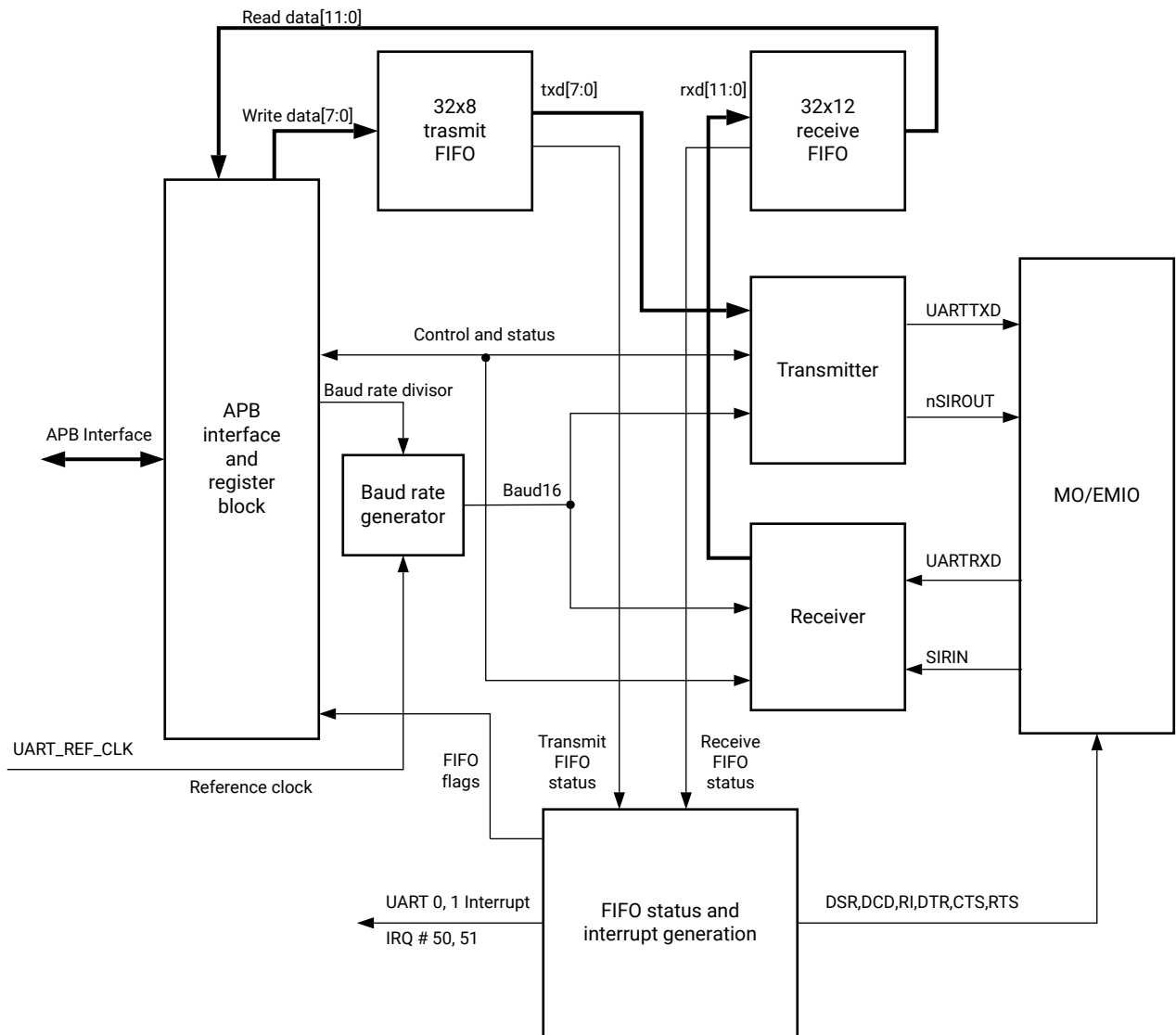
The IrDA SIR physical layer specifies a minimum 10 ms delay between transmission and reception.

UART Functionality

Block Diagram

The UART functional description is illustrated in the following figure.

Figure 106: UART Functional Block Diagram



X23807-063020

Baud Rate Generator

The baud rate generator contains free-running counters that generate the internal $\times 16$ clocks, Baud16 and IrLPBaud16. Baud16 provides timing information for UART transmit and receive control. Baud16 is a stream of pulses with a width of one UART_x_REF_CLK clock period and a frequency of 16 times the baud rate. IrLPBaud16 provides timing information to generate the pulse width of the IrDA encoded transmit bit stream when in low-power IrDA mode.

Transmit FIFO

The transmit FIFO is an 8-bit wide and 32 location deep FIFO memory buffer. Data written across the APB interface is stored in the FIFO until read out by the transmit logic. The transmit FIFO can be disabled to act like a one-byte holding register.

Receive FIFO

The receive FIFO is a 12-bit wide and 32 location deep FIFO memory buffer. Received data and corresponding error bits are stored in the receive FIFO by the receive logic until read out by the CPU across the APB interface. The receive FIFO can be disabled to act like a one-byte holding register.

Transmit Logic

The transmit logic performs parallel-to-serial conversion on the data read from the transmit FIFO. The control logic outputs the serial bitstream beginning with a start bit, data bits with the Least Significant Bit (LSB) first, followed by the parity bit, and then the stop bits according to the programmed configuration in the control registers.

Receive Logic

The receive logic performs serial-to-parallel conversion on the received bitstream after a valid start pulse has been detected. Overrun, parity, frame error checking, and line break detection are also performed, and their status accompanies the data that is written to the receive FIFO.

Interrupts

Individual maskable active-High interrupts are generated by the UART. A system interrupt output is generated as an OR function of the individual interrupt requests.

Operation

The following descriptions are for one instance of UART and the same applies to other instances.

The control data is written to the UART Line Control register, UART [LINE_CTRL](#).

LINE_CTRL defines the:

- Transmission parameters
- Word length
- Buffer mode
- Number of transmitted stop bits
- Parity mode
- Break generation

BAUD_INTEGER defines the integer baud rate divider.

BAUD_FRACT defines the fractional baud rate divider.

Data Transmission and Reception

Data received or transmitted is stored in two 32-byte FIFOs. The receive FIFO has an extra four bits per character for status information.

Transmission

During transmission, data is written into the transmit FIFO. When the UART is enabled, it causes a data frame to start transmitting with the parameters indicated in the Line Control register, UART [LINE_CTRL](#). Data continues to be transmitted until there is no data left in the transmit FIFO. The BUSY signal goes High as soon as data is written to the transmit FIFO (that is, the FIFO is non-empty) and remains asserted High while data is being transmitted. BUSY is negated only when the transmit FIFO is empty, and the last character has been transmitted from the shift register, including the stop bits.

Reception

When the receiver is idle (UARTRXD continuously 1, in the marking state) and a Low is detected on the data input (a start bit has been received), the receive counter, with the clock enabled by Baud16, begins running and data is sampled on the eighth cycle of that counter in UART mode, or the fourth cycle of the counter in SIR mode to allow for the shorter logic 0 pulses (half way through a bit period).

The start bit is valid if UARTRXD is still Low on the eighth cycle of Baud16, otherwise a false start bit is detected and it is ignored. When a valid start bit is detected, successive data bits are sampled on every 16th cycle of Baud16 (that is, one bit period later according to the programmed length of the data characters. The parity bit is then checked if parity mode was enabled.

A valid stop bit is confirmed if UARTRXD is High, otherwise a framing error has occurred. When a full word is received, the data is stored in the receive FIFO, with any error bits associated with that word.

Error Bits

Three error bits are stored in bits [10:8] of the receive FIFO and are associated with a particular character. There is an additional error that indicates an overrun error and this is stored in bit 11 of the receive FIFO.

Overrun Bit

The overrun bit is not associated with the character in the receive FIFO. The overrun error is set when the FIFO is full, and the next character is completely received in the shift register. The data in the shift register is overwritten, but it is not written into the FIFO. When an empty location is available in the receive FIFO, and another character is received, the state of the overrun bit is copied into the receive FIFO along with the received character. The overrun state is then cleared. The following table lists the bit functions of the receive FIFO.

Table 206: Receive FIFO Bit Functions

FIFO bit	Function
11	Overrun indicator
10	Break error
9	Parity error
8	Framing error
7:0	Received data

System and Diagnostic Loopback Testing

Loopback testing is done for data by setting the loopback enable bit to 1 in CTRL [LBE]. Data transmitted on UARTx_TXD output signal is received on the UARTx_RXD input signal of the same controller.

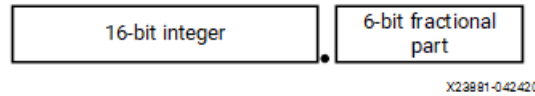
Baud Rate Divider

The baud rate divisor is a 22-bit number consisting of a 16-bit integer and a 6-bit fractional part. This is used by the baud rate generator to determine the bit period. The fractional baud rate divider enables the use of any clock with a frequency >3.6864 MHz to act as UARTx_REF_CLK, while it is still possible to generate all the standard baud rates.

The 16-bit integer is written to the Integer Baud Rate bit field, UARTx.BAUD_INTEGER [DIVINT]. The 6-bit fractional part is written to the Fractional Baud Rate bit field, UARTx.BAUD_FRACT [DIVFRAC]. The baud rate divisor has the following relationship to UARTx_REF_CLK:

$$\text{Baud Rate Divisor} = \text{UARTx_REF_CLK} / (16 \times \text{Baud Rate}) = [\text{DIVINT}] . [\text{DIVFRAC}]$$

Figure 107: Baud Rate Divisor



The 6-bit number (m) can be calculated by taking the fractional part of the required baud rate divisor and multiplying it by 64 (that is, $2^{[DIVFRAC]}$) and adding 0.5 to account for rounding errors:

$$m = \text{integer} ([\text{BAUD_FRACT}] \times 2^n + 0.5)$$

An internal clock enable signal, Baud16, is generated, and is a stream of one UARTx_REF_CLK wide pulses with an average frequency of 16 times the required baud rate. This signal is then divided by 16 to give the transmit clock. A low number in the baud rate divisor gives a short bit period, and a high number in the baud rate divisor gives a long bit period.

Baud Rate Clock

The frequency selected for UARTx_REF_CLK must accommodate the required range of baud rates:

- $F_{\text{UART_REF_CLK}} \geq 16 \times \text{baud_rate(max)}$
- $F_{\text{UART_REF_CLK}} \leq 16 \times 65535 \times \text{baud_rate(max)}$

For example, for a range of baud rates from 110 baud to 460800 baud the UARTx_REF_CLK frequency must be between 7.3728 MHz to 115.34 MHz. The frequency of UARTx_REF_CLK must also be within the required error limits for all baud rates to be used. There is also a constraint on the ratio of clock frequencies for LPD_LSBUS_CLK to UARTx_REF_CLK. The frequency of UARTx_REF_CLK must be no more than $\frac{5}{3}$ times faster than the frequency of LPD_LSBUS_CLK:

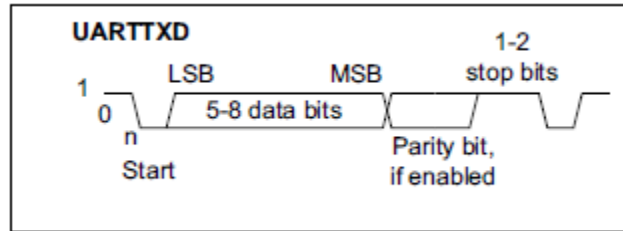
- $F_{\text{UART_REF_CLK}} \leq \frac{5}{3} \times F_{\text{LPD_LSBUS_CLK}}$

For example, in UART mode, to generate 921600 baud when UARTx_REF_CLK is 14.7456 MHz, LPD_LSBUS_CLK must be greater than or equal to 8.85276 MHz. This ensures that the UART has sufficient time to write the received data to the receive FIFO.

Character Frame

The following figure shows the character frame.

Figure 108: UART Character Frame

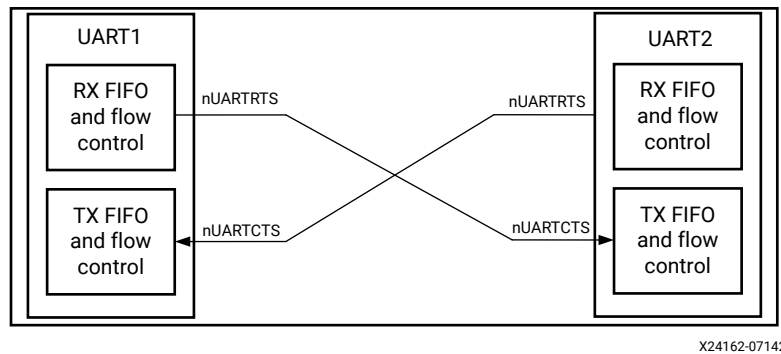


Hardware Flow Control

The hardware flow control feature is fully selectable. This feature enables the control of the serial data flow by using the UARTX_CTS_b output and UARTX_RTS_b input signals.

The following figure shows communication between two devices using the hardware flow control.

Figure 109: Hardware Flow Control Between Two Similar Devices



When the RTS flow control is enabled, UARTX_RTS_b is asserted until the receive FIFO is filled up to the programmed watermark level. When the CTS flow control is enabled, the transmitter can only transmit data when UARTX_CTS_b is asserted.

The hardware flow control is selectable using the [RTSEn] and [CTSEn] bits in the Control register, UART CTRL. The following table lists the bit settings used to enable RTS and CTS flow control both simultaneously and independently.

Table 207: Control Bits to Enable and Disable Hardware Flow Control

CTSEn	RTSEn	Description
1	1	Both RTS and CTS flow control enabled
1	0	Only CTS flow control enabled
0	1	Only RTS flow control enabled
0	0	Both RTS and CTS flow control disabled

Note: When RTS flow control is enabled, the software cannot use the [RTSEn] bit in the Control register, UART CTRL to control the status of UARTX_RTS_b.

RTS Flow Control

The RTS flow control logic is linked to the programmable receive FIFO watermark levels. When RTS flow control is enabled, the UARTx_RTS_b is asserted until the receive FIFO is filled up to the watermark level. When the receive FIFO watermark level is reached, the UARTx_RTS_b signal is deasserted, indicating that there is no more room to receive any more data. The transmission of data is expected to cease after the current character has been transmitted.

The UARTx_RTS_b signal is reasserted when data has been read out of the receive FIFO so that it is filled to less than the watermark level. If RTS flow control is disabled and the UART is still enabled, then data is received until the receive FIFO is full, or no more data is transmitted to it.

CTS Flow Control

When the CTS flow control is enabled, the transmitter checks the UARTx_CTS_b signal before transmitting the next byte. When the UARTx_CTS_b signal is asserted, it transmits the byte; otherwise, the transmission does not occur.

The data continues to be transmitted while UARTx_CTS_b is asserted, and the transmit FIFO is not empty. When the transmit FIFO is empty and the UARTx_CTS_b signal is asserted no data is transmitted.

When the UARTx_CTS_b signal is deasserted and CTS flow control is enabled, the current character transmission is completed before stopping. When the CTS flow control is disabled and the UART is enabled, the data continues to be transmitted until the transmit FIFO is empty.

IrDA Functionality

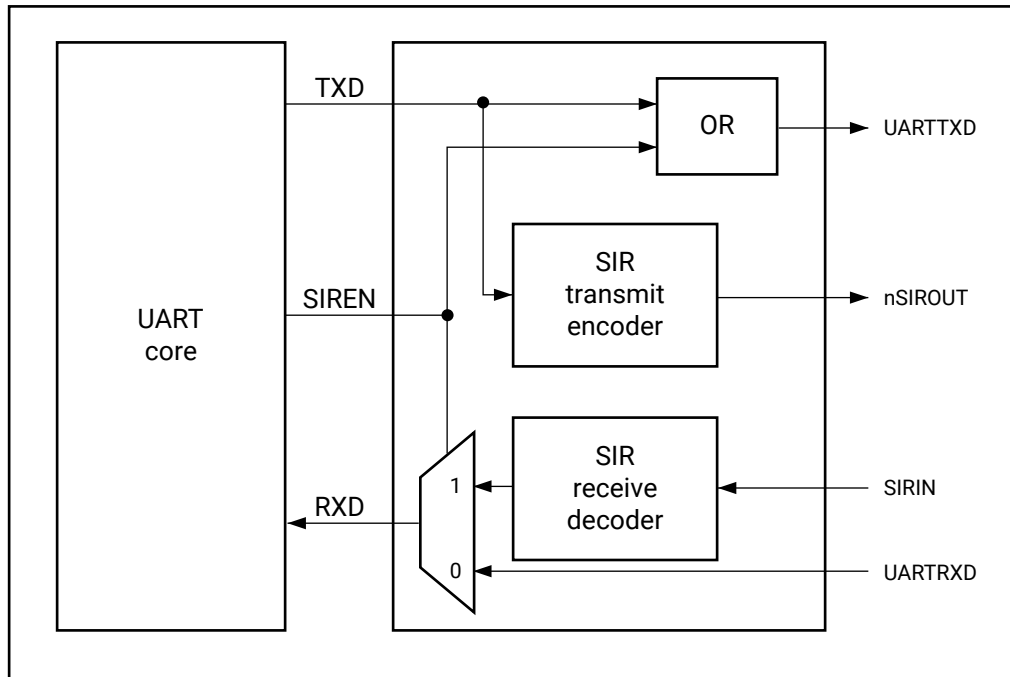
The IrDA SIR ENDEC comprises:

- IrDA SIR transmit encoder
- IrDA SIR receive decoder

Block Diagram

The IrDA SIR ENDEC block diagram is shown in the following figure.

Figure 110: IrDA SIR ENDEC Block Diagram



Transmit Encoder

The SIR transmit encoder modulates the non return-to-zero (NRZ) transmit bit stream output from the UART. The IrDA SIR physical layer specifies the use of a return to zero, inverted (RZI) modulation scheme that represents logic 0 as an infrared light pulse. The modulated output pulse stream is transmitted to an external output driver and infrared light emitting diode (LED).

The frequency of IrLPBaud16 is set up by writing the appropriate divisor value to the IrDA Low Power Counter register, UART.IR_LOWPR.

The active-Low encoder output is normally Low for the marking state (no light pulse). The encoder outputs a high pulse to generate an infrared light pulse representing a logic 0 or spacing state.

Receive Decoder

The SIR receive decoder demodulates the return-to-zero bitstream from the infrared detector and outputs the received NRZ serial bitstream to the UART received data input. The decoder input is normally High (marking state) in the idle state. The transmit encoder output has the opposite polarity to the decoder input.

A start bit is detected when the decoder input is Low.

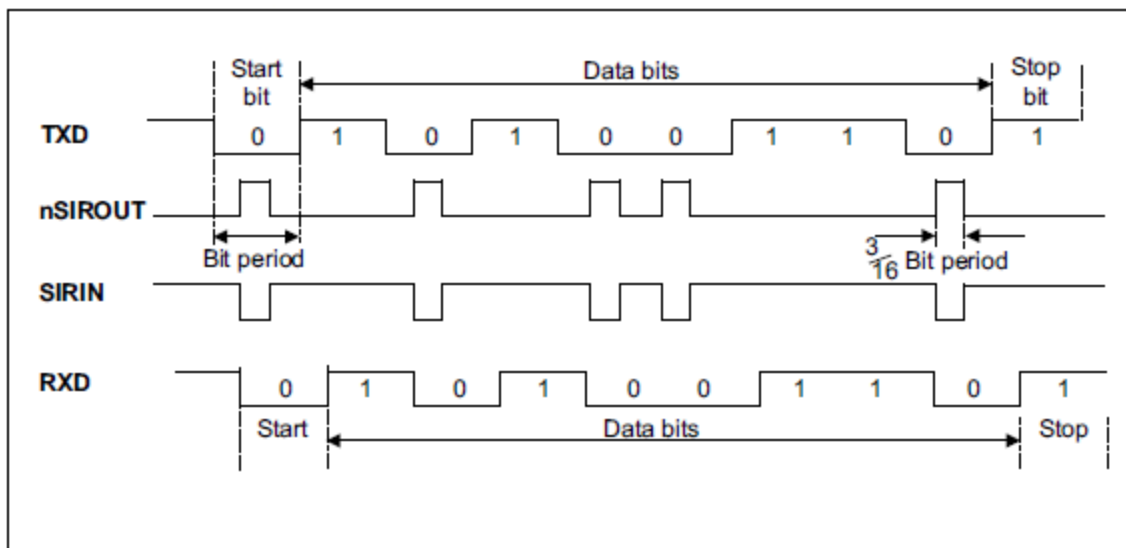
Note: To prevent the UART from responding to glitches on the received data input then it ignores SIRIN pulses that are less than:

- 3/16 of Baud16, in IrDA mode
- 3/16 of IrLPBaud16, in low-power IrDA mode

Data Modulation

The following figure shows the IrDA data modulation.

Figure 111: UART IrDA 3/16 Data Modulation



Interrupts

Eleven maskable interrupts are generated in the UART. These are combined to produce one system interrupt that is the OR of the individual outputs. Interrupts can be enabled or disabled individually by changing the mask bits in the interrupt mask set/clear register, [INTR_IMSC](#). Setting the appropriate mask bit High enables the interrupt.

Flow Control Interrupts

The modem status interrupt is asserted if any of the modem status signals (UARTx_CTS_b, DCD_b, DSR_b, and RI_b) change. It is cleared by writing a 1 to the corresponding bits in the Interrupt Clear register, [INTR_CLR](#), depending on the modem status signals that generated the interrupt.

Change State Interrupt

The transmit interrupt changes state when one of the following events occurs:

- If the FIFOs are enabled and the transmit FIFO is equal to or lower than the programmed trigger level, the transmit interrupt is asserted High. The transmit interrupt is cleared by writing data to the transmit FIFO until it becomes greater than the trigger level, or by clearing the interrupt.
- If the FIFOs are disabled (have a depth of one location) and there is no data present in the transmitters single location, the transmit interrupt is asserted High. It is cleared by performing a single write to the transmit FIFO, or by clearing the interrupt.
- To update the transmit FIFO, write data to the transmit FIFO, either prior to enabling the UART and the interrupts, or after enabling the UART and interrupts.

Note: The transmit interrupt is based on a transition through a level, rather than on the level itself. When the interrupt and the UART is enabled before any data is written to the transmit FIFO the interrupt is not set. The interrupt is only set, after written data leaves the single location of the transmit FIFO and it becomes empty.

Timeout Interrupt

The receive timeout interrupt is asserted when the receive FIFO is not empty and no more data is received during a 32-bit period. The receive timeout interrupt is cleared either when the FIFO becomes empty through reading all the data (or by reading the holding register), or when a 1 is written to the corresponding bit of the Interrupt Clear register, [INTR_CLR](#).

Error Interrupt

The error interrupt is asserted when an error occurs in the reception of data by the UART. The interrupt can be caused by a number of different error conditions:

- Framing
- Parity
- Break
- Overrun

The cause of the interrupt can be determined by reading the Raw Interrupt Status register, [INTR_RIS](#) or the Masked Interrupt Status register, [INTR_MIS](#). It can be cleared by writing to the relevant bits of the Interrupt Clear register, [INTR_CLR](#) (bits 7 to 10 are the error clear bits).

Registers

UART Registers

The UART controller core registers are listed in the following table. The base address for each UART register module:

- UART0: 0xFF00_0000
- UART1: 0xFF01_0000

Table 208: UART Controller Registers

Register Name	Offset Address	Type	Description
Data Ports			
DATA	0x000	RW	Read/write data port
Miscellaneous Control			
CTRL	0x030	RW	Configuration and control
BAUD_INTEGER BAUD_FRACT	0x024 0x028	RW	BAUD rate integer and fractional divider
LINE_CTRL	0x02C	RW	Line control
IR_LOWPWR	0x020	RW	Low power counter divisor
Status/Clear and Flags			
ERR_STAT_CLR FLAG	0x004 0x018	RW R	Interface flags
Interrupts			
INTR_IMSC INTR_RIS INTR_MIS INTR_CLR	0x038 0x03C 0x040 0x044	RW R R W	Read/write interrupt mask Raw interrupt status Masked interrupt status Clear interrupt status
FIFO Interrupt Levels			
FIFO_LEVEL	0x034	RW	RX and TX FIFO interrupt trigger levels

SLCR Registers

The UART system-level control registers (SLCR) are listed in the following table. The base address for the SLCR registers:

- LPD_IOP_SLCR register module is 0xFF08_0000.
- PMC_IOP_SLCR register module is 0xF106_0000 (for PMC MIO).

Table 209: UART System-Level Clock and Reset Registers

Register Name	Bit Field	Offset Address	Access Type	Description
LPD_IOP_SLCR APB Programming Interface Access Error Interrupt				
PARITY_ISR PARITY_IMR PARITY_IER PARITY_IDR	[perr_uart0_apb] [perr_uart1_apb]	0x0714+	W1C, R R W W	Parity error detected on APB programming interface write data
LPD_IOP_SLCR MIO Select				
LPD_MIO_Sel	[UART0_SEL] [UART1_SEL]	0x0410	RW	Select between PMC and LPD MIO muxes
LPD_IOP_SLCR MIO Pin Routing				
MIO_PIN_0 etc. MIO_PIN_25	[L0_SEL] [L1_SEL] [L2_SEL] [L3_SEL]	0x000+	RW	LPD mux MIO routing
PMC_IOP_SLCR MIO Pin Routing				
MIO_PIN_0 etc. MIO_PIN_51	[L0_SEL] [L1_SEL] [L2_SEL] [L3_Sel]	0x000+	RW	PMC mux MIO routing

Clock and Reset Registers

The UART reference clock and core reset are controlled by the CRL register module. The base address for the CRL register module is 0xFF5E_0000.

Table 210: UART Clock and Reset Registers

Register Module and Name	Offset Address	Access Type	Description
Reference Clock			
CRL UART0_REF_CTRL CRL UART1_REF_CTRL	0x0128 0x012C	RW	Reference clock control from LPD clock controller
Controller Reset			
CRL RST_UART0 CRL RST_UART1	0x0318 0x031C	RW	Controller reset from LPD reset controller

UART I/O Signals

The UART controller I/O signals are routed to both the PMC and LPD MIOs, and the EMIO. Each set of I/O signals can be located on one of six sections of pins as shown in [MIO-at-a-Glance](#). The CTS_b and RTS_b signals are available on the MIO or EMIO. The UART flow control signals are available on EMIO.

Table 211: UART Controller I/O Signals

MIO					EMIO	
Signal Name	I/O	PMC MIO Pin	LPD MIO Pin	MIO-at-a-Glance Table	Signal Name	I/O
UART0_RXD UART1_RXD	I	MIO-at-a-Glance ¹		0		I
UART0_TXD UART1_TXD	O			1		O
UART0_CTS_b UART1_CTS_b	I			2	CTS_b	I
UART0_RTS_b UART1_RTS_b	O			3	RTS_b	O

Table 211: UART Controller I/O Signals (cont'd)

MIO					EMIO	
Signal Name	I/O	PMC MIO Pin	LPD MIO Pin	MIO-at-a-Glance Table	Signal Name	I/O
Not available on MIO					DCD_b	O
					DSR_b	I
					RI_b	I
					DTR_b	I
					SIRIN	O
					SIROUT_b	I

Notes:

1. The RXD, TXD, CTS_b, and RTS_b signals are routed to the MIO as a group. The groups are shown in the [MIO-at-a-Glance](#). Unused signals (e.g., CTS_b and RTS_b) do not need to be routed through the MIO.

USB 2.0 Controller

The controller is compliant with the USB 2.0 specification to support high, full, and low-speed modes in all configurations. It can be configured as a host, a device, or in on-the-go (OTG).

In host mode, the controller is compatible with the Intel extensible host controller interface (xHCI) specification. In device mode, it supports up to 12 endpoints (6 in and 6 out). The controller's I/O uses an 8-bit universal low peripheral interface (ULPI) to connect the Versal® device to an external PHY via the PMC MIO pins. The controller operates at 20 MHz using the USB_REF_CLK from the LPD clock controller. The ULPI interface is clocked at 60 MHz by the PHY. The controller provides transfer rates up to 480 Mb/s for high-speed mode. The 32-bit AXI slave programming interface is accessed by system software to control the modes. The programming interface provides access to the USB_2_REGS controller and USB_2_XHCI core register sets. The AXI slave is attached to the LPD IOP slave switch.

The 64-bit AXI master interface is used by the DMA unit to read descriptor tables and access data buffers. The AXI master is attached to the LPD IOP master switch. The controller includes a single dual-port RAM to store RX FIFO data, TX FIFO data, and to cache descriptors. The AXI master port and the protocol layers access the RAMs using the buffer management unit. The RAM provides buffering of transaction data between the ULPI interface and system memory. The host controller is a schedule driven environment for data transfers of periodic (interrupt and isochronous) and asynchronous (control and bulk) types.

Device mode includes a simple pair of descriptors to respond to USB data transfers in a timely manner between the software and the USB. The transfer descriptors of the host schedules and device endpoints control the DMA engine to move data between the 64-bit AXI master system bus interface and the RX and TX data FIFOs in RAM that respond in real time to the USB. The controller makes strategic use of software for tasks that do not require time-critical responses. This reduces the amount of hardware logic. At the same time, the controller includes hardware assistance logic to enable the controller to respond quickly to USB events and simplify the software.

The controller includes the hibernation and low-power modes.

Features

The USB controller includes these features:

- Host, device, and dual-role device options
- Power management features: hibernation mode
- DMA master with 44/48-bit addressing and 64-bit data
- 12 endpoints (six out and six in)
- Compatible with xHCI standard 1.1
- 32-bit AXI programming interface
- ULPI interface routed to PMC MIO pins

Comparison to Previous Generation Xilinx Devices

The USB controller in the Versal® ACAP is based on newer Synopsys IP and is implemented as USB 2.0. The Zynq UltraScale+ MPSoC included a USB 3.0 controller based on older Synopsys IP.

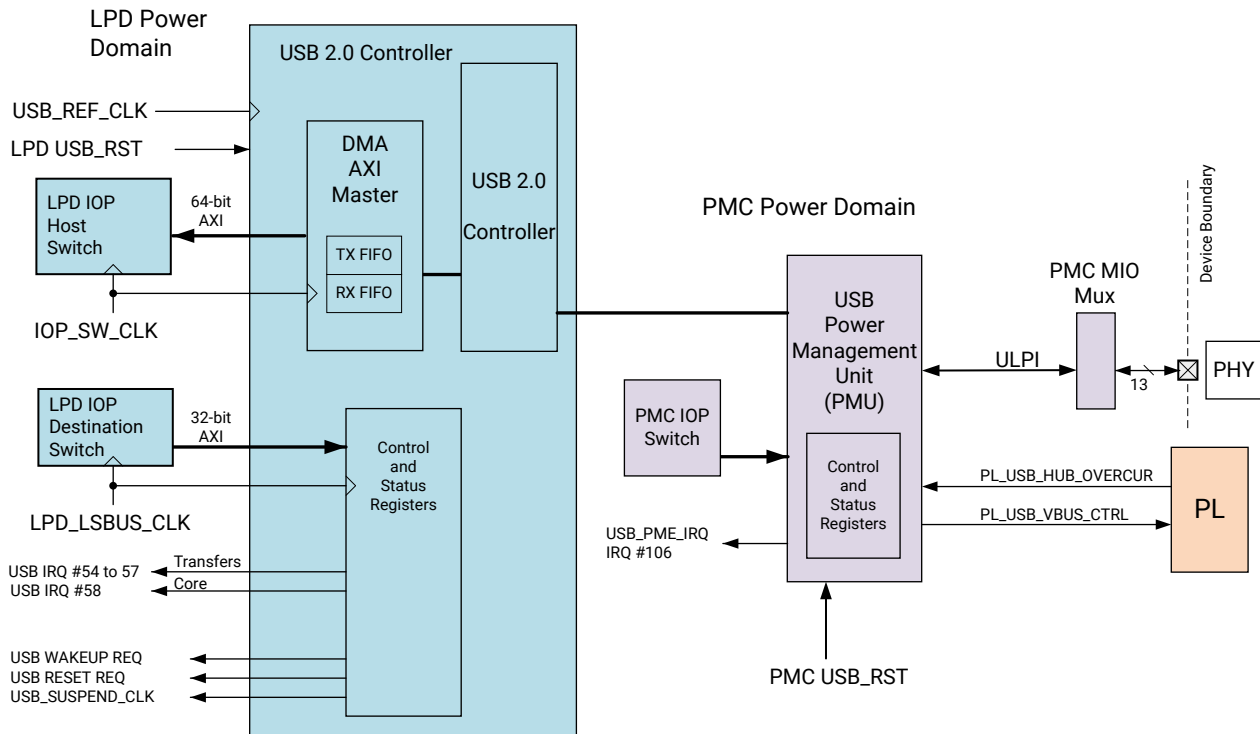
In device mode, the Zynq UltraScale+ MPSoC USB 2.0 controller can be used as the primary boot mode. In Versal® ACAP, primary boot mode is not supported. Software can configure the USB controller as a secondary boot device.

System Perspective

High-Level Block Diagram

The USB controller block diagram is shown in the following figure.

Figure 112: USB Controller Block Diagram



X24165-122221

System Interfaces

- AXI slave programming interface
- AXI DMA master interface for descriptor read and data read/write accesses

AXI Slave Programming Interface

The USB register module is accessed by software using the 32-bit AXI slave programming interface attached to the LPD IOP slave switch.

AXI DMA Master

The DMA AXI transaction includes several attributes for coherency and QoS. These are controlled by the following registers:

- [USB_Route](#) for coherency
- [USB_QoS](#) for quality of service (QoS)
- [USB_SMID](#) for system management ID (SMID)

When the DMA transaction is routed to the CCI, it first passes through the TBU0 of the SMMU. This translation unit is also used by the SMMU TCU for translation table lookups.

Note: This datapath will impose a bandwidth load to the CCI and FPD interconnect. In very high traffic loads through TBU0, a deadlock situation can occur. To ensure this does not happen, do not route DMA transactions through the CCI.

System Signals

System signals include:

- [Clocks](#)
- [Controller Resets](#)
- [System Interrupts](#)
- [System Error Signal](#)

Clocks

The USB controller includes several clocks from the system.

- USB_REF_CLK from LPD clock controller
- LPD_I0U_REF_CLK for the interconnect interfaces

The USB_REF_CLK is used by the controller and the ULPI interface.

Controller Resets

The controller has three reset domains.

- Controller wrapper
- Controller core
- External ULPI PHY

Reset Matrix

The controller receives one reset input from the SoC and several local register-controlled resets. These are summarized in the following table.

Table 212: **USB Reset Matrix**

Description	Register Control	Controller Wrapper	Controller Core	External ULPI PHY ¹
		USB_RESET	USB_CORE_RST	USB_ULPI_RST
Controller reset	CRL.RST_USB [RESET]	Yes	Yes	Yes
Core soft reset	USB_XHCI.GCTL [CORESOFTRESET]	Yes	Yes	Yes
Internal logic	USB_XHCI.USB_CMD [HCRST]	Yes	Yes	Yes

Table 212: **USB Reset Matrix** (cont'd)

Description	Register Control	Controller Wrapper	Controller Core	External ULPI PHY ¹
		USB_RESET	USB_CORE_RST	USB_ULPI_RST
Core soft reset	USB_XHCI.DCTL [CSFTRST]	Yes	Yes	Yes
Light host reset	USB_XHCI.USB_CMD [LHCRST]	~	Yes	~

Notes:

1. The USB_ULPI_RST signal can be masked using the USB2_CSR.PHY_RESET_MASK register.

System Interrupts

The USB controller includes four transfer system interrupts, an OTG system interrupt, and power management unit interrupt.

- IRQ# 54 to 57 for transfers (USB2_XHCI register module)
- IRQ#58 for OTG (USB2_CSR register module)
- IRQ# 106 for PMU (USB2_PMU register module)

These are listed with the other system interrupts in the [IRQ System Interrupts](#) table.

XCHI Interrupts

There are four transfer interrupts.

- Bulk transfer
- Isochronous transfer
- Controller interrupt
- Control transfer

Control and Status Registers Interrupt

The interrupt is sourced from several register controls.

- **ISR** register:
 - [addr_dec_err] for APB programming interface address decode error
 - [host_sys_err] for host system error
- **GSTS** register:
 - [CURMOD], [BUSERRADDRVLD]
 - [CRSTimeout]
 - [Device], [Host], [ADP], [BC], and [SSIC]

- [CBELT]

Power Management Interrupt

The USB power management interrupt (PME) is generated by power management unit in the PMC power domain. This system interrupt is assigned to IRQ# 106.

System Error Signal

The APB interface includes an address decode error detector. If an error is detected a system error is generated and the APB programming interface can optionally assert the SLVERR error signal back to the source and assert the address decode error interrupt.

I/O Interface

The I/O interface implements ULPI. These signals are routed to the PMC MIO. The signals are listed in [USB I/O Signals](#).

ULPI PHY

The controller interfaces to the external ULPI PHY via 12 MIO pins: 8 data I/Os, direction input, control input, clock input, and a stop output.

The PHY is external to the device and is reset by the USB_ULPI_RST output signal. The reset output signal can be masked using the USB_2_CSR.PHY_RESET_MASK register.

GPIO

A LPD GPIO signal can be used to reset the external PHY.

Port Indicator and Power Signals via PL EMIO

The USB port indicator outputs, power select output, and power fault input signals are normally routed through the EMIO to the PL SelectIO pins that connect to the external board logic.

Power

The USB2 controller resides in the LPD.

The power management control and ULPI interface reside in the PMC.

Programming Model

The controller has two sets of registers.

- USB_2_CSR control and status
- USB_2_XHCI

The controller uses system memory for transaction and descriptor data structures. The system memory usage includes:

- TX data buffers
- RX data buffers
- Descriptor tables

Host Mode Functional Anomaly

In a rare condition in which the device issues an erroneous DATA0 toggle status response to the host, the USB host does not handle erroneous DATA0 toggle status response and is then unable to complete further commands to the device. The Xilinx® handler manages this by indicating an error when unable to complete commands. A host reset might be required to recover the system.

Device Mode Functional Anomaly

The USB device might not wake from I1_suspend in ULPI mode when HIRD < 3. Ensure that HIRD >= 3. The Xilinx handler is aware of this to avoid the anomaly.

Programming Interface

The controller includes a 32-bit AXI slave interface to program the USB2_CSR and USB2_XHCI register sets.

Host Mode Data Structures

To operate the USB controller, a set of data structures are defined by the xHCI specification. The application software gives information to the xHCI driver that takes care of the programming and interaction with the data structures. The data structures are used to communicate control, status, and data between the xHCI stack (software) and the USB controller.

Context Data Structures

The USB context data structures are described in the following table. The PAGESIZE is 4 KB.

Table 213: USB 2.0 Context Data Structures

Context Data Structure	Maximum Size (bytes)	Boundary	Byte Alignment	Description
Device context	2048	PAGESIZE	64	Slot context and endpoint contexts (up to 32). An array of device contexts is prepared and maintained by the xHCI embedded RAM and software. This array contains a maximum of 256 device contexts. The first entry (slot ID = 0) in the device context base address array is used by the xHCI scratchpad mechanism.
Slot context	64	PAGESIZE	32	Information that applies to a device as a whole. The slot context data structure of a device context is also referred to as an output slot context.
Endpoint context	64	PAGESIZE	32	Information that applies to a specific endpoint
Stream context	16	PAGESIZE	16	Specific stream associated with an endpoint.
Input context	132	PAGESIZE	64	Endpoints and the operations to be performed on those endpoints by the address device, configure endpoint, and evaluate context commands.
Input control context	64	PAGESIZE	64	Device context data structures are affected by a command and the operations to be performed on those contexts
Port bandwidth context	#ports * 4	PAGESIZE	32	Provides software with the percentage of periodic bandwidth available on each root hub port, at the speed indicated by the device speed field of the get port bandwidth command. Software allocates the context data structure and the xHCI updates the context data structure during the execution of a get port bandwidth command.

Ring Data Structures

The USB ring data structures are defined in the following table.

Table 214: Ring Data Structures

Context Data Structure	Maximum Size (KB)	Boundary (KB)	Byte Alignment	Description
Transfer ring segments	64	64	16	A transfer request block (TRB) ring is an array of TRB structures, that are used by the xHCI as a circular queue to communicate with the host. Transfer rings provide data transport to and from USB devices. There is a 1:1 mapping between transfer rings and USB pipes. They are defined by an endpoint context data structure contained in a device context, or the stream context array pointed to by the endpoint context.

Table 214: Ring Data Structures (cont'd)

Context Data Structure	Maximum Size (KB)	Boundary (KB)	Byte Alignment	Description
Command ring segments	64	64	64	The command ring provides system software the ability to issue commands to enumerate USB devices, configure the xHCI to support those devices, and coordinate virtualization features. The command ring is managed by the command ring control register that resides in the operational registers.
Event ring segments	64	64	64	The event ring provides the xHCI with a means of reporting to system software: data transfer and command completion status, root hub port status changes, and other xHCI related events. An event ring is defined by the event ring segment table base address, segment table size, and dequeue pointer registers which reside in the run time registers.
Event ring segment table	512	None	64	Table of event ring segments.
Scratchpad buffers	PAGESIZE	PAGESIZE	PAGESIZE	A scratchpad buffer is allocated from system memory for storing internal state.

Register Reference

The register sets that affect the USB controller include:

- USB_2_CSR register set
- USB_2_XHCI register set
- System-level registers
 - CRL (reference clocks and resets)
 - CRP
 - LPD_IOP_SLCR (system-level controls; AXI transaction attributes and routing)
 - LPD_IOP_SECURE_SLCR
 - LPD_IOP_SLCR
 - Miscellaneous system interrupt, QoS registers
- USB_2_XHCI registers

Controller Registers

The USB_2_CSR registers provide general control and status, transaction controls, and manages APB and host system error interrupts. The registers are located at base address 0xFF9D_0000 and are summarized in the following table.

Table 215: USB 2.0 Control and Status Registers

Register Name	Offset Address	Access Type	Description
PHY_Reset_En	0x01C	RW	PHY reset output mask
Port_Cfg	0x034	RW	Device characteristics
Jitter_Adjust	0x038	RW	High-speed jitter adjustment
Int_Endian	0x040	RW	Set = 0; little endian
APB_Ctrl	0x060	RW	APB slave error enable
ISR IMR IER IDR	0x064 0x068 0x06C 0x070	W1C R W W	APB address decode and host system error interrupts

XHCI Registers

The USB_2_XHCI registers provide functionality for the xHCI specification. The base address for these registers is 0xFE20_0000 and they are summarized in the following table.

Table 216: USB_2_XHCI Register Address Map

Description	Offset Address Range		Detailed Register Table
	Start	End	
xHCI capabilities, offsets, operations	0x0_0000	0x0_0058	
Ports, run time, host interrupter, event ring, doorbells	0x0_0420	0x0_05E0	
Miscellaneous control, status, capabilities	0x0_08E0	0x0_09C0	
Miscellaneous configuration, control, and user	0x0_C100	0x0_C19C	
ULPI PHY	0x0_C200	0x0_C280	
FIFOs	0x0_C300	0x0_C388	
Event buffer	0x0_C400	0x0_C43C	
DMA	0x0_C600	0x0_C630	
Device CSRs	0x0_C700	0x0_C720	
Device endpoints	0x0_C800	0x0_C8BC	
Device interrupt moderation	0x0_CA00	0x0_CA0C	

Host Capabilities, Offset, and Operations Registers

The USB host capabilities, offset, and operations registers are located in the USB_2_XHCI register set at base address 0xFE20_0000. They are summarized in the following table.

- CONFIG register

This register is in the AUX power well. It is only reset by the platform during a cold reset or in response to a host controller reset (HCRST).

Table 217: USB Host Capabilities, Offsets, and Operations Registers

Register Name	Offset Address	Access Type	Description
CAPLENGTH	0x0000	R	Length capability
HCSPARAMS1 HCSPARAMS2 HCSPARAMS3	0x0004 0x0008 0x000C	R	Host controller structural parameters
HCCPARAMS1 HCCPARAMS2	0x0010 0x001C	R	Host controller capability parameters
DBOFF	0x0014	R	Doorbell offset
RTSOFF	0x0018	R	Run time offset
USBCMD	0x0020	RW	USB command
USBSTS	0x0024	R, W1C	USB status
PAGESIZE	0x0028	R	Page size
DNCTRL	0x0034	RW	Device notification
CRCR_LO CRCR_HI	0x0038 0x003C	RW, R	
DCBAAP_LO DCBAAP_HI	0x0050 0x0054	RW	Device context BAAP
CONFIG	0x0058	RW	Configure

Port Status, Control, Host Interrupter, Event Ring, and Doorbell Registers

The USB port status, control, host interrupter, event ring, doorbell registers are located in the USB_2_XHCI register set at base address 0xFE20_0000. They are summarized in the following table.

- PORTPMSC_20 register

This register is in the AUX power well. It is only reset by platform hardware during a cold reset or in response to a host controller reset (HCRST).

- IMOD_0, 1, 2, 3 register

Software can use this register to pace (or even out) the delivery of interrupts to the host CPU. This register provides an inter-interrupt delay between interrupts asserted by the xHCI, regardless of USB traffic conditions. To independently validate configuration settings, software can use the algorithms recommended by the xHCI specification to convert the inter-interrupt interval value to the common interrupts/sec performance metric.

Table 218: Port Status, Control, Host Interrupter, Event Ring, Doorbell Registers

Register Name	Offset Address	Access Type	Description
PORTSC_20	0x00420	RW, R, W1C	Port status and control
PORTHLMPC_20	0x0042C	RW	LPM hardware control
MFINDEX	0x00440	Read	Microframe index
IMAN_0 to 3	0x00460 incr	RW, W1C	Interrupter management
IMOD_0 to 3	0x00464 incr	RW	Interrupter moderation
ERSTSZ_0 to 3	0x00468 incr	RW	Event ring segment table size
ERSTBA_LO_0 to 3 ERSTBA_HI_0 to 3	0x00470 incr 0x00474 incr	RW	
ERDP_LO_0 to 3 ERDP_HI_0 to 3	0x00478 incr 0x0047C incr	RW	
DB0 DB{1 to 63}	0x004E0 incr	RW	Doorbells

Miscellaneous Control, Status, and Capabilities Registers

The USB miscellaneous control, status, and capabilities registers are located in the USB_2_XHCI register set at base address 0xFE20_0000. They are summarized in the following table.

Table 219: USB Miscellaneous Control, Status, and Capabilities Registers

Register Name	Offset Address	Access Type	Description
USBLEGSUP	0x08E0	RW, R	Legacy support
USBLEGCTLSTS	0x08E4	W1C, R	System management interrupts (SMI)
IMPL_USB2_DW0	0x08F0	R	Capabilities, revision
IMPL_USB2_DW1	0x08F4	R	Name string
IMPL_USB2_DW2	0x08F8	R	Hub, miscellaneous capabilities
IMPL_USB2_DW3	0x08FC	R	Protocol slot (0h)

Miscellaneous Configuration, Control, and User Registers

The USB miscellaneous configuration, control, and user registers are summarized in the following table.

Table 220: USB 2.0 Miscellaneous Configuration, Control, and User Registers

Register Name	Offset Address	Access Type	Description
GSBUSCFG0 GSBUSCFG1	0x0_C100 0x0_C104	RW	Bus configuration
GCTL	0x0_C110	RW	Common control
GSTS	0x0_C118	R	Status
GUCTL1 GUCTL2	0x0_C11C 0x0_C19C	RW	User controls
GSNPSID	0x0_C120	Read only	ID register
GGPIO	0x0_C124	Mixed	General purpose I/O
GUID	0x0_C128	Read/Write	User ID
GUCTL	0x0_C12C	Read/Write	Global user control
GBUSERRADDRLO GBUSERRADDRHI	0x0_C130 0x0_C134	R	Bus address error
GHWPARAMS0 to GHWPARAMS7	0x0_C140 to 0x0_C15C	R	Implementation parameters
GDBGFIFOSPACE	0x0_C160	RW, R	Queue/FIFO space available
ULPI PHY			
GUSB2PHYCFG	0x0_C200	Mixed	ULPI PHY configuration
GUSB2PHYACC_ULPI	0x0_C280	RW, R	ULPI PHY vendor control
RX/TX FIFO Depths			
GTXFIFOSIZ0 GTXFIFOSIZ1 GTXFIFOSIZ2	0x0_C300 0x0_C304 0x0_C308	RW	RXFIFO 0, 1, 2 depths
GRXFIFOSIZ0 GRXFIFOSIZ1 GRXFIFOSIZ2	0x0_C380 0x0_C384 0x0_C388	RW	TXFIFO 0, 1, 2 depths
Event			
GEVNTADRLO_0 GEVNTADRLO_2 GEVNTADRLO_3	0x0_C400 0x0_C410 0x0_C420 0x0_C430	RW	
GEVNTADRHI_0 GEVNTADRHI_1 GEVNTADRHI_2 GEVNTADRHI_3	0x0_C404 0x0_C414 0x0_C424 0x0_C434	RW	
GEVNTSIZ_0 GEVNTSIZ_1 GEVNTSIZ_2 GEVNTSIZ_3	0x0_C408 0x0_C418 0x0_C428 0x0_C438	RW	

Table 220: USB 2.0 Miscellaneous Configuration, Control, and User Registers (cont'd)

Register Name	Offset Address	Access Type	Description
GEVNTCOUNT_0 GEVNTCOUNT_1 GEVNTCOUNT_2 GEVNTCOUNT_3	0x0_C40C 0x0_C41C 0x0_C42C 0x0_C43C	RW	
Host Controls			
GHWPARAMS8	0x0_C600	R	Implementation parameters
GTXFIFOPRIDEV	0x0_C610	RW	Device TXFIFO DMA priority
GTXFIFOPRIHST	0x0_C618	RW	Host TXFIFO DMA priority
GRXFIFOPRIHST	0x0_C61C	RW	Host RXFIFO DMA priority
GDMAHLRATIO	0x0_C624	RW	Host FIFO DMA high-low priority ratio
GFLADJ	0x0_C630	RW	Frame length adjustment

Device and Command Registers

The device and command registers are summarized in the following table.

Table 221: USB 2.0 Device and Command Registers

Register Name	Offset Address	Access Type	Description
Device Registers			
DCFG	0x0_C700	RW	Device configuration
DCTL	0x0_C704	RW, W	Device control
DEVTEN	0x0_C708	RW, R	Device event enable
DSTS	0x0_C70C	R, WTC	Device status
DGCMDPAR	0x0_C710	RW	Device generic command parameter
DGCMD	0x0_C714	RW, R	Device generic command
DALEPENA	0x0_C720	RW	Device active USB endpoint enable
Command Registers			
DEPCMDPAR2_0 DEPCMDPAR2_1 (1 to 11)	0x0_C800 0x0_C810 incr	RW	Physical endpoint parameter, reg 2
DEPCMDPAR1_0 DEPCMDPAR1_1 (1 to 11)	0x0_C804 0x0_C814 incr	RW	Physical endpoint parameter, reg 1
DEPCMDPAR0_0 DEPCMDPAR2_1 (1 to 11)	0x0_C808 0x0_C818 incr	RW	Physical endpoint parameter, reg 0
DEPCMD_0 DEPCMD_1 (1 to 11)	0x0_C80C 0x0_C81C incr	RW	Physical endpoint command

System-Level Registers

The USB controller is included two clock and reset register modules (CRL and CRP). The controller is located in the LPD, but the PHY controller interface is in the PMC.

- LPD_IOP_SLCR at 0xFF08_0000.
- PMC_IOP_SLCR at 0xF106_0000

LPD System-Level Registers

The LPD_IOP_SLCR registers associated with the controller are listed in the table

Table 222: LPD_IOP_SLCR Registers for USB

Register Name	Address	Access Type	Description
USB_Route	0xFF08_0428	RW	Select direct path or CCI path to memory
USB_QoS	0xFF08_042C	RW	Define QoS bit values
USB_SMID	0xFF08_0430	RW	Select one SMID bit [0] value

PMC System-Level Registers

The PMC_IOP_SLCR registers associated with the controller are listed in the table

Table 223: PMC_IOP_SLCR Registers for USB

Register Name	Address	Access Type	Description
USB_PwrState	0xF106_0600	R	Power state of the core

Clock and Reset Registers

The USB reference clock and core reset are controlled by the CRL register module. The base address for the CRL register module is 0xFF5E_0000.

Table 224: Clock and Reset Registers for USB

Register Name	Offset Address	Access Type	Description
Reference Clock			
USB_LPD_REF_CTRL	0x0124	RW	Reference clock control from LPD clock controller
Controller Reset			
RST_USB_2	0x0314	RW	Controller reset from LPD reset controller

USB I/O Signals

ULPI I/O Signals

The USB 2.0 controller is attached to an external PHY via the PMC MIO. The MIO interface signals are shown with all other I/O's in [MIO-at-a-Glance](#) and detailed in the following table.

The USB controller is located in the LPD, but the ULPI I/O signals are routed to the PMC MIO.

Table 225: USB 2.0 Controller ULPI I/O Interface

MIO			
Signal Name	I/O	PMC MIO Pin	MIO-at-a-Glance Table
USB_ULPI_RST	Output	13	12
USB_ULPI_DATA[0] USB_ULPI_DATA[1] USB_ULPI_DATA[2] USB_ULPI_DATA[3]	I/O	14 15 16 17	4 5 6 7
USB_ULPI_CLK	Input	18	0
USB_ULPI_DATA[4] USB_ULPI_DATA[5] USB_ULPI_DATA[6] USB_ULPI_DATA[7]	I/O	19 20 21 22	8 9 10 11
USB_ULPI_DIR	Input	23	1
USB_ULPI_STP	Output	24	2
USB_ULPI_NXT	Input	25	3

Port Indicator, Fault, and Power Select Signals

The following table lists the USB port indicator and power signals on the EMIO.

Table 226: USB Port Indicator and Power Signals on EMIO

Port Signals	EMIO Signals		Default Input Value to Controller
	Name	I/O	
Port indicator	EMIOUSB{0,1}PORTINDCTL{0,1}	O	~
Power fault	EMIOUSB{0,1}VBUSPWRFAULT	I	0
Power select	EMIOUSB{0,1}VBUSPWRSELECT	O	~

Flash Memory Controllers

This section includes these chapters:

- [Octal SPI Controller](#)
- [Quad SPI Controller](#)
- [SD/eMMC Controllers](#)

The three flash memory controllers are located in the PMC. Their I/O signals are routed to device pins via the PMC MIO multiplexer. Only the SD/eMMC controller I/O signals can be routed to the PL EMIO, but this route requires the LPD to be powered-up.

Each of the flash memories can be a primary boot device on PMC MIO as described in [Boot Modes](#).

OSPI and QSPI Restriction

The OSPI and QSPI are mutually exclusive; only one of the controllers can be used in a system. The selection is done using PMC_IOP_SLCR registers. Program the PMC_IOP_SLCR.MIO_PIN_[0:12] registers to defined the I/O pin connections for these controllers.

Octal SPI Controller

The octal SPI (OSPI) controller can access one or two flash devices using several different methods. The controller is located with the other flash memory controllers in the PMC. The I/O interface is routed to the PMC MIO pin bank 0. OSPI is commonly used as a boot device; see [Octal SPI Boot Mode](#). The controller provides multiple ways to read and write the flash memory:

- STIG/PIO read/write (software triggered instruction generator)
- Direct read/write with address remap
- Non-DMA indirect read/write via AXI slave interface
- DMA indirect read using AXI master interface

STIG/PIO access enables software to read and write 64-bit flash memory data via the APB programming interface.

Direct access allows software to read/write flash memory within a 512 MB memory block starting at `0xC000_0000`. This window is mapped to the flash device memory space. This enables software to perform normal reads and writes within this memory-mapped window. Processor software cannot execute code directly from the controller; execute-in-place is not supported.

In DMA mode, data is autonomously read from the flash memory and written to system memory via the TXFIFO. The DMA master is on the PMC main AXI switch.

Software sends commands to the controller using the flash command control register. Commands include configuration, SPI commands (opcode, address, mode, dummy), and single byte reads and writes.

The controller also includes a programmable polling features to read the flash device status and report when a certain value is received. The polling feature also includes an expiration timeout.

The interface works with up to two flash devices that are connected to the PMC MIO mux and pin bank 0. The signals are listed in [OSPI I/O Interface](#). The I/O signals are not available on the LPD MIO pins or as PL EMIO port signals.

Software accesses the OSPI register module via the 32-bit APB programming interface. All of the OSPI related registers are listed in the [Register Reference](#).

Features

The OSPI features include:

- Interface to one or two devices
- DLL for accurate I/O clocking at high speed
- DDR and SDR I/O

Boot Device

The OSPI controller can be used as a boot device. For more information, see [Octal SPI Boot Mode](#).

Nomenclature

The OSPI controller uses slightly different nomenclature for some terms as noted in the following table.

Table 227: OSPI Nomenclature

Functionality	Common Nomenclature	OSPI Chapter Nomenclature
Processor addressable flash memory	Linear access mode	Direct mode
Data clocking on positive and negative clock edges	Double data rate (DDR)	Double data rate (DDR) Dual transfer rate (DTR) ¹

Notes:

1. Both the DDR and DTR terms are used in the OSPI chapter. The DTR term is used when referring to the Micron flash memory devices.

Comparison to Previous Generation Xilinx Devices

The OSPI controller is new to Xilinx® devices.

System Perspective

The OSPI is located in the PMC IOP. The controller includes several system interfaces, signals and an I/O interface routed to the PMC MIO pins.

Control and Status Registers

The OSPI control and status registers provide access to the DMA and flash controller. In addition to the OSPI registers, there are system-level registers associated with the OSPI controller. See [Register Reference](#) for more information.

System Interfaces

The controller has three system interfaces attached to the PMC IOP switch.

AXI Master DMA Interface

The AXI master DMA interface enables the controller to burst data from the flash device to system memory in DMA access mode. For more information, see [DMA Programming Model](#).

AXI Slave Interface

The AXI slave interface enables software to read and write flash memory data. The interface is used in several controller operating modes.

- Direct access mode
- Indirect mode non-DMA

APB Slave Programming Interface

The APB programming interface enables software to access the memory mapped control and status registers. These are listed in [Register Reference](#).

System Signals

System signals include:

- [OSPI Clocks](#)
- [Controller Reset](#)
- [System Interrupt](#)
- [System Error](#)

OSPI Clocks

The controller receives three clocks from the PMC clock controller. These clocks are programmed by the [CRP](#) register module.

- OSPI_REF_CLK for the controller reference clock
- PMC_IRO_CLK for the AXI interface

- PMC_LSBUS_CLK for the ABP programming interface

Clock frequency guidelines are included in the [Flash Memory Controller Clock Frequency Requirements](#) section.

IOP Switch Interface Clocks

The APB programming interface is clocked by the PMC_LSBUS_CLK clock. The AXI DMA interface is clocked by the PMC_IRO_CLK clock. These clocks are shared with other functional units.

Reference Clock

The controller logic itself is clocked by the QSPI reference clock, which includes the DLL for the I/O clock. The reference clock is generated by the PMC clock controller using the CRP register set.

- OSPI_REF_CLK clock frequency is controlled by the CRP [OSPI_REF_CTRL](#) register

Controller Reset

The controller has two resets. The controller reset, OSPI_RESET, comes from the PMC reset controller. This signal asserts when software writes to the [RST_OSPI](#) register or by any one of a number of system-level resets described in the [Resets](#) chapter.

The controller also has a separate PHY reset for the DLL. This is controlled by the [PHY_Config](#) register.

Asserting Reset

Resets should only be asserted when the controller is inactive, [IDLE] = 1. Doing so at other times produces unknown results.

Reset Condition

The following states are set by the controller reset:

- Transactions on the I/O interface are abruptly terminated (must be avoided, check [IDLE] to confirm the I/O is quiescent)
- Pending requests from the software are canceled
- All registers are set to their reset value

System Interrupt

OSPI has one system interrupt signal, IRQ#156. The system interrupt can be asserted by any one of the three interrupt status registers contained with the OSPI registers set.

- Controller interrupt register:
 - [IRQ_Status](#), status is after the mask
- DMA source interrupt register:
 - [DMA_SRC_ISR](#), status is before the mask
- DMA destination interrupt register:
 - [DMA_DST_ISR](#)

The system interrupt is routed to several places as described in [System Interrupts](#).

System Error

The APB programming interface can generate an address decode error if it detects a software access violation. The error signal is routed to the system error accumulator for processing as described in [System Errors](#).

I/O Interface

The I/O signals are routed to the PMC MIO. The 8-bit data bus is supported with two chip selects. The signals are shown in [OSPI I/O Interface](#).

I/O Wiring Diagrams

The I/O wiring connections for boot modes are shown in [Octal SPI Boot Mode](#).

Programming Model

The OSPI has several ways to access flash memory. These modes and their controls are all done using the OSPI register module. The registers are summarized in [Register Reference](#). All modes and controls are done via the OSPI register set. The modes are introduced in [Access Modes](#).

Access Modes

There are several access modes:

- Software triggered instruction generation (STIG read/write)
- Direct read/write mode
- Non-DMA indirect read/write mode
- DMA indirect read mode

Note: For double data rate (DDR) mode, the address must be aligned to an even address boundary and the transfer size must be a multiple of even bytes. Software must ensure this for all access modes. If an odd number of bytes are requested, then the data abort is signaled. In all DDR mode cases, the device_delay [d_after] register bit must be set to 1.

Memory Access Modes

There are several flash memory access modes. Only one mode is available at a time.

- STIG/PIO software triggered instruction generator and programmed I/O
- Direct mode read/write via AXI slave interface
- Software non-DMA indirect read/write via AXI slave interface
- DMA indirect read via AXI master interface

Flash Memory Access Modes Table

Each operating mode uses the system interfaces differently as summarized in the following table. The methods to access the OSPI controls and data differ depending on the operating mode. The features that apply for each mode are identified in the following table.

Table 228: OSPI Flash Memory Access Modes

Entity	STIG	Direct Mode	Indirect Mode	
			Non-DMA	With DMA
Interfaces				
AXI system slave	~	Data	Data	~
AXI system master	~	~	~	Data
APB programming	Control and data	Control	Control	Control
Internal DMA peripheral	~	~	Data	
Hardware Features				
Address remap	~	Yes	~	~
Data write protection	~	Yes	~	~
DMA	~	~	~	Yes
Memory access; flash memory accesses	RW	RW	RW	R
Data transfer size per command	Up to 8 bytes, or "read memory" up to 128 bytes	Reads up to device size Writes based on device command		

The programmed I/O must not be attempted when there is DMA activity.

STIG, Programmed I/O

Software can trigger individual flash instructions using register reads and writes.

Direct Mode

Direct mode allows software to read and write the memory in the OSPI device using regular read and write transactions on the interconnect. This linear addressing feature is mapped to the address space from 0xC000_0000 to 0xDFFF_FFFF. When the flash memory interface runs in DDR mode, software must always align to an even address and request an even number of bytes. The direct access controller (DAC) receives transaction requests and issues flash memory commands to read and write data.

Direct mode should not be used by a PMC DMA controller when the memory requests are routed through the FPD cache coherent interconnect (CCI). This DMA traffic goes through the LPD main switch on its way to the CCI. This path is shared with the gigabit Ethernet MAC (GEM) controller in the LPD and can cause the GEM to be starved of data. This situation is described in the [OSPI Direct Access by PMC DMA via CCI](#) section.

Non-DMA Indirect

The controller can be programmed to read or write a block of data using register read/write operations. For reads, the controller prefetches data in preparation for the software read. For writes, it buffers data for the flash memory.

DMA Indirect

The DMA unit operations are performed by SRC DMA interfaces to the controller's DMA flash interface to read the flash memory via the controller's buffer and the DST DMA to write data to the system memory via the AXI master interface on the PMC IOP switch. The DMA peripheral interface decodes requests from the SRC DMA to read flash memory data.

Polling Feature

The OSPI flash auto-polling feature operates in all access modes. Polling is controlled by the expiration and flash status registers.

- [Poll_Expire](#) cycle count to polling expiration
- [Poll_Status](#) with dummy cycle count

Start-up Sequences

Controller Reset

After reset, the controller is disabled and can be configured as needed.

There are several ways to reset the controller. These are described in the [Controller Reset](#) section of this chapter.

Controller Enable

The controller enable/disable function is used by software for several purposes.

Idle Status Bit

After a flash memory access has been initiated, software must wait for it to be completed before another access is initiated. The [IDLE] status bit is asserted after the controller has finished performing the flash memory access. In direct access mode, software does not need to check the idle status between successive accesses.

- Initiate a new access mode (e.g., from direct to DMA mode)
- Set up polling of the flash memory status during flash write transactions when [Indirect_Write_Ctrl](#) [wr_queued] bit is set. In this case, the software waits for queued write to finish.

For read transactions, there is no need to wait for the flash status.

DMA Programming Model

The DMA reads from the flash memory and writes to system memory; a flash memory read-only operation.

The DMA controllers are divided between the SRC DMA for data reads from the flash memory and the DST DMA for data writes to addressable system memory via the PMC IOP AXI switch.

DMA Features

The DMA includes the following features:

- Separate read channel (SRC) and write channel (DST)
- Simple DMA, no scatter-gather
- DST connects to 32-bit AXI to PMC IOP interconnect
- 128-word FIFO
- SRC DMA reads from flash memory controller when space is available in FIFO
- DST DMA writes data when data is available in the FIFO
- DMA start address is 4-byte aligned
- DMA transfer length is in 4-byte words
- DST DMA INCR burst type
- Timeout mechanisms for SRC and DST DMA

- Automatic DST DMA hardware management for 4 KB boundary crossing
- Configurable AXI AxUSER bits for coherency and QoS

Programming Steps

This section provides the steps for configuring the DMA controller. Be sure to follow the guidance provided in the [Configuration Restrictions](#) section.

1. Configure the I/O interface.
2. Configure the DMA controller:
 - a. Program the [DMA_DST_ADDR_L](#) and [DMA_DST_ADDR_H](#) registers with the destination address in main memory; must be word aligned.
 - b. Program the [DMA_SRC_ADDR](#) register to be the same as the [Indirect_Trig_Addr](#) register.
 - c. Program the [DMA_DST_SIZE](#) with the number of words to be transferred (word aligned). This should be the same as the [Indirect_Read_Num](#) register.
 - d. Program the [and](#) register as required.
3. Start the indirect read in flash memory I/O controller by setting [Indirect_Read_Ctrl](#) [start] = 1. Wait until the [DMA_DST_ISR](#) [DONE] bit is set to check if the AXI command transfer has completed before accessing the data transferred to memory.

Source DMA

The SRC DMA generates an address to the flash controller via its interface to read data from the flash memory device.

The SRC DMA writes the data from flash device to the DMA buffer. The DST DMA then writes the data in the buffer to system memory. Single transactions are four bytes and burst transactions are always 64 bytes.

Control Settings

The SRC DMA settings are shown in the following table.

Table 229: OSPI Source DMA Control Settings

Register	Address Offset	Write Value	Description
DMA_Config	0x0020	0000_0602h	Transfer size: four bytes for single AXI transfer and 64 bytes for AXI burst transfer. The DMA does not support any other transfer sizes.
Indirect_Read_Watermark	0x0064	0000_0000h	To indicate data availability as and when sufficient data is available in the buffer.
Indirect_Trig_Addr	0x0080	0000_0006h	The SRC DMA can execute only a fixed burst of 64-bytes.

Table 229: OSPI Source DMA Control Settings (cont'd)

Register	Address Offset	Write Value	Description
SRAM_Partition_Config	0x0018	0000_00FEh	Allocate the 1 KB buffer for SRC DMA read operations.

Source DMA Interrupts

The SRC DMA interrupts in the [DMA_SRC_ISR](#) register are summarized in the following table. These interrupts are not used during normal operation, but can provide information for test and debug.

Table 230: OSPI Source DMA Interrupts

Interrupt	Bit	Description
[MEM_DONE]	0	The DMA has completed current command of all reads of the flash memory
[DONE]	1	DMA has completed a command
[AXI_RDERR]	2	Error reading data from flash controller
[TIMEOUT_STRM]	3	Timeout counter 1 expired; flash controller is stalled
[TIMEOUT_MEM]	4	Timeout counter 2 expired; DMA is stalled
[THRESH_HIT]	5	FIFO watermark hit
[INVALID_APB]	6	APB programming interface address decode error

Destination DMA

The DST DMA generates an address to the system memory via its 32-bit AXI master interface to write data from the flash memory device that is in the DMA buffer to system memory.

Destination DMA Interrupts

The DST DMA interrupts in the [DMA_DST_ISR](#) register are summarized in the following table. The status bits show the raw (before the mask) interrupt event. Each interrupt is cleared by writing a 1 to the bit (W1C).

Table 231: OSPI DST DMA Interrupts

Interrupt	Bit	Description
[DONE]	1	DMA is done and all data is sent; BRESP received
[AXI_BRESP_ERR]	2	DMA write generated a BRESP error on AXI
[TIMEOUT_STRM]	3	Timeout counter 2 expired; data from SRC DMA stalled
[TIMEOUT_MEM]	4	Timeout counter 1 expired; AXI interface stalled
[THRESH_HIT]	5	FIFO reached threshold limit
[INVALID_APB]	6	APB programming interface address decode error

Table 231: OSPI DST DMA Interrupts (cont'd)

Interrupt	Bit	Description
[FIFO_OVERFLOW]	7	FIFO overflow detected

Configuration Restrictions

- In addition to the above registers, the [AHB_Indirect_Addr](#) register must be programmed so there is not a 4 KB boundary crossing between the value programmed and the value + 63.
- The [Indirect_Read_Num](#) register should be programmed so that the number of bytes read is word-aligned. Bits 1 and 0 should always be programmed to 0 for this register.
- Program the DMA_TOP and then trigger the indirect read transfer using IND_READ_CTRL [start].
- For direct transfers, all the AXI transactions must be aligned.
- For direct write transfers, only the following WSTRB are supported.

AxSIZE	WSTRB values supported
2'b10	4'b1111
2'b01	4'b1100, 4'b0011
2'b00	4'b0001, 4'b0010, 4'b0100, 4'b1000

- Program the [OSPI_AXI_Sel](#) register with 3h to enable direct mode and AXI slave interface.
- STIG mode supports only 1-1/0-1/0 (command- address-data) and 8-8/0-8/0 commands.
- STIG mode does not support 1-8-8 and 1-1-8 commands.
- Only one indirect mode operation can be triggered at a time. The next indirect operation can be triggered after the first indirect operation is complete.

Architecture

The AHB interface is used to transfer data, either in a memory mapped direct fashion, or in an indirect fashion where the controller is set up via configuration registers to silently perform some requested operation, signaling its completion via interrupts or status registers.

For indirect operations, data is transferred between system memory and flash memory via an internal SRAM. Interrupts or status registers are used to identify the specific times at which this SRAM should be accessed using user programmable configuration registers.

The DMA peripheral bus optimizes data transfers to the flash memory and PHY during indirect transfers.

DMA Controller Implementation

The SRC and DST DMA controller has the same programming model as the CSU DMA in the Zynq® UltraScale+™ MPSoC.

The data read from the flash memory by the SRC DMA is put in a buffer for the DST DMA to access and write out to system memory using the controller's AXI master interface.

Interrupts

There are several interrupt register sets:

- [Controller Interrupts](#)
- [Source DMA Interrupts](#)
- [Destination DMA Interrupts](#)

Controller Interrupts

The controller interrupts are latched into the OPSI.IRQ_Status register. The source for each interrupt is indicated in the following table.

Table 232: OSPI Flash Controller Interrupts

Interrupt	Bit	Interrupt Source					Description
		STIG	Direct	Indirect Non-DMA	Indirect DMA	Polling	
IND_OP_DONE	2	~	~	Yes	Yes	~	Indirect operation complete
WPROT_ATTEMPT	4	Yes					Write protect access attempted
ILLEGAL_ACCESS_DET	5						Illegal AHB slave interface access attempted
IND_RD_SRAM_FULL	12	~	Yes				Indirect read partition overflow
POLL_EXP	13	~	~	~	~	Yes	Polling time period counter expired
STIG_REQ_RDY	14	Yes	~	~	~	~	

Register Reference

The OSPI registers are divided into several overview tables:

- [OSPI Controller Registers](#)
- [OSPI SRC DMA Registers](#)
- [OSPI DST DMA Registers](#)
- [System-Level Registers](#): from PMC_IOP_SLCR register set

OSPI Controller Registers

The OSPI flash memory I/O controller registers are listed in the following table. The base address for these registers is 0xF101_0000.

Table 233: OSPI Flash Memory I/O Controller Register Overview

Register Name	Address Offset	Access Type	Description
Config	0x0000	RW	Controller configuration
Read_Instr_Config Write_Instr_Config	0x0004 0x0008	RW	Device read and write instruction configurations
Device_Delay	0x000C	RW	I/O timing delay
Read_Data_Capture	0x0010	RW	Read data capture
Device_Size_Cfg	0x0014	RW	Device size configuration
SRAM_Partition_Config	0x0018	RW	SRAM partition configuration
AHB_Indirect_Addr	0x001C	RW	Indirect AHB address
DMA_Config	0x0020	RW	DMA peripheral configuration
Remap_Addr	0x0024	RW	Remap address
Mode_Bit_Config	0x0028	RW	Mode bit configuration
SRAM_Fill	0x002C	R	SRAM fill
Write_Completion_Ctrl	0x0038	RW	Write completion control
Poll_Expire	0x003C	RW	Polling expiration
IRQ_Status IRQ_Enable	0x0040 0x0044	WTC RW	Interrupt status Interrupt enable
Tap_Granularity_Sel	0x0048	RW	Tap Granularity select
WProt_Lower WProt_Upper	0x0050 0x0054	RW	Write protection starting block: * Lower boundary * Upper boundary
WProt_Ctrl	0x0058	RW	Write protection control
Indirect_Read_Ctrl Indirect_Read_Watermark Indirect_Read_Start Indirect_Read_Num	0x0060 0x0064 0x0068 0x006C	R, W, WTC RW RW RW	Indirect read transfer control Indirect read transfer watermark Indirect read transfer start address Indirect read transfer number (in bytes)
Indirect_Write_Ctrl Indirect_Write_Watermark Indirect_Write_Start_Addr Indirect_Write_Num Indirect_Trig_Addr	0x0070 0x0074 0x0078 0x007C 0x0080	R, W WTC RW RW RW	Indirect write transfer control Indirect write transfer watermark Indirect write transfer start address Indirect write transfer number bytes Indirect trigger address range
Flash_Cmd_Ctrl	0x008C	R, W, RW	Flash command control memory
Flash_Cmd_Ctrl	0x0090	R, W, RW	Flash command control
Flash_Cmd_Addr	0x0094	RW	Flash command address

Table 233: OSPI Flash Memory I/O Controller Register Overview (cont'd)

Register Name	Address Offset	Access Type	Description
Flash_Read_L Flash_Read_U	0x00A0 0x00A4	R	Flash command read data, lower and upper
Flash_Write_L Flash_Write_U	0x00A8 0x00AC	RW	Flash command write data, lower and upper
Poll_Status	0x00B0	R	Polling flash status
PHY_Config	0x00B4	W, RW	PHY configuration
PHY_Master_Ctrl	0x00B8	RW	PHY DLL master control
DLL_Observe_L DLL_Observe_U	0x00BC 0x00C0	R	DLL observable, lower and upper
Opcode_Ext_L Opcode_Ext_U	0x00E0 0x00E4	RW	Opcode extension, lower and upper
SAFETY_CHK	0x1FF8	RW	Safety check register

OSPI SRC DMA Registers

The DMA controller registers are listed in the following table. The base address for these registers is 0xF101_0000.

Table 234: SRC DMA Register Overview

Register Name	Address Offset	Access Type	Description
DMA_SRC_ADDR	0x1000	RW	Source DMA read address
DMA_SRC_Status	0x1008	R, WTC	Source DMA read status
DMA_SRC_CTRL1 DMA_SRC_CTRL2	0x100C 0x1024	RW	Source DMA read control Reg 1 and 2
DMA_SRC_ISR DMA_SRC_IER DMA_SRC_IDR DMA_SRC_IMR	0x1014 0x1018 0x101C 0x1020	WTC W W R	Source DMA read interrupt status, enable, disable, and mask

OSPI DST DMA Registers

The DMA controller registers are listed in the following table. The base address for these registers is 0xF101_0000.

Table 235: OSPI SRC DMA Register Overview

Register Name	Address Offset	Access Type	Description
DMA_DST_ADDR_L DMA_DST_ADDR_H	0x1800 0x1828	RW	Destination DMA address to system memory, 32 LSBs Destination DMA address to system memory, 17 LSBs
DMA_DST_SIZE	0x1804	RW	Destination DMA write payload size
DMA_DST_STS	0x1808	R, WTC	Destination DMA status
DMA_DST_CTRL1 DMA_DST_CTRL2	0x180C 0x1824	RW	Destination DMA control reg 1 and 2
DMA_DST_ISR DMA_DST_IER DMA_DST_IDR DMA_DST_IMR	0x1814 0x1818 0x181C 0x1820	WTC W W R	Destination DMA write interrupt status, enable, disable, and mask

System-Level Registers

The PMC_IOP_SLCR related registers are listed in the following table.

Table 236: OSPI-related Registers in the PMC_IOP_SLCR Register Set

Register Name	Description
OSPI_AXI_Sel	Select the AXI interface to OSPI: 0: OSPI DMA mode. AXI interface is driven by OSPI DMA 1: OSPI Linear mode. AXI interface is driven by the interconnect.
OSPI_Coherent	Define transaction coherency and bufferability policy
OSPI_Route	Route through FPD CCI (for APU L2-cache coherency) or bypass it (non-coherent)
OSPI_QoS	QoS traffic type

OSPI I/O Interface

The OSPI controller I/O signals are only available on the PMC MIO. The interface is not available on the LPD MIO or the PL EMIO interface.

I/O Signal Table

The I/O signals are shown in [MIO-at-a-Glance](#) and detailed in the following table.

Two devices can be attached to the I/O interface. The OSPI_CS0_b and OSPI_CS1_b are used for the stacked device configuration. For non-stacked configurations, use OSPI_CS0_b.

Table 237: OSPI Controller I/O Signals

Signal Name	MIO			Description
	I/O	PMC MIO Pin	MIO-at-a-Glance Table	
OSPI_CLK	Output	0	0	Clock output
OSPI_IO[0] OSPI_IO[1] OSPI_IO[2] OSPI_IO[3] OSPI_IO[4]	I/O	1 2 3 4 5	1 2 3 4 5	I/O signals
OSPI_DS	Input	6	6	Read data strobe
OSPI_IO[5] OSPI_IO[6] OSPI_IO[7]	I/O	7 8 9	7 8 9	I/O signals
OSPI_CS0_b	Output	10	10	Chip select 0, active-Low
OSPI_CS1_b	Output	11	11	Chip select 1, active-Low ¹
OSPI_RST_b	Output	12	12	PMC GPIO controller output used for reset ²

Notes:

1. When one device is connected, it can be connected to CS0_b or CS1_b.
2. The OSPI boot process and the Xilinx software drivers use an output signal from the PMC [GPIO Controller](#) (bank 0, channel 12) to reset the flash device.

Quad SPI Controller

The quad SPI (QSPI) controller can access one or two flash devices using several different methods. The controller is located with the other flash memory controllers in the PMC. The I/O interface is routed to the PMC MIO pin bank 0 and can drive one or two devices. QSPI is commonly used as a boot device, see [Quad SPI Boot Mode](#). The controller provides multiple ways to read and write flash memory:

- SPI accesses
- Programmed I/O (PIO) protocol
- DMA indirect read using AXI master interface

SPI accesses enables software to control the bus protocol and read/write memory data via the APB programming interface.

Linear addressing is not supported. Processor software also cannot execute code directly from the controller; execute-in-place is not supported.

For DMA, data is autonomously read from the flash memory and written to system memory via the TXFIFO. The DMA master is on the PMC main AXI switch. The DMA includes a TXFIFO.

Software sends commands to the controller using the flash command register. The commands are buffered in the command FIFO. Commands include configuration, SPI commands (opcode, address, mode, dummy), and single byte reads and writes.

The controller also includes a programmable polling features to read the flash device status and report when a certain value is received.

The interface works with up to two flash devices. The I/O interface is routed to the PMC MIO multiplexer, bank 0. The I/O signals are not available on the LPD MIO pins or the PL EMIO port signal interface.

The data signals are divided between upper and lower signals; four data bits each with a clock and a chip select. The two-device implementation can be stacked with a 4-bit I/O interface, or connected in parallel with an 8-bit interface for higher performance.

Software accesses the QSPI register module via the 32-bit APB programming interface. All of the QSPI related registers are listed in the [Register Reference](#).

Features

Interconnect

- 32-bit APB slave programming interface
- AXI master interface for DMA controller writes to system memory

I/O Configurations

The controller can interface with one or two flash memory devices. Basic connections include:

- 4 and 8-bit I/O signals
 - Single device with a x4 data bus width
 - Dual device, stacked configuration with a x4 data bus width
 - Dual device, parallel configuration with a x8 data bus width

Flash Memory Addressing

- 128 Mb and larger devices
- 16 MB addressing per device (32 MB for two devices)

Power Domain

The QSPI controller is in the PMC power domain.

Comparison to Previous Generation Xilinx Devices

The QSPI controller is similar to the Zynq® UltraScale+™ MPSoC except for the following:

- Legacy mode (LQSPI) including linear addressing is not supported
- DMA unit added with enhanced AXI interface control for coherency, buffer-ability, and quality of service

System Perspective

The controller is located in the PMC on the IOP interconnect switch and has the following interfaces and signals.

- 32-bit APB slave programming interface
 - Memory mapped, programming registers
 - Control, status, and interrupt registers
 - FIFO data ports
- AXI master interface for DMA controller writes to system memory
 - 44-bit physical address with data bursts transfers
 - AxCACHE bit settings for coherency and buffer ability
- QSPI_REF_CLK reference clock input for controller logic
- QSPI_RESET reset input
- Flash device interface
 - 4 and 8-bit I/O signals
 - QSPIx_CLK device clocks, includes QSPI0_CLK and QSPI1_CLK
 - QSPI_LPBK_CLK loopback clock
 - QSPIx_CS_b chip select

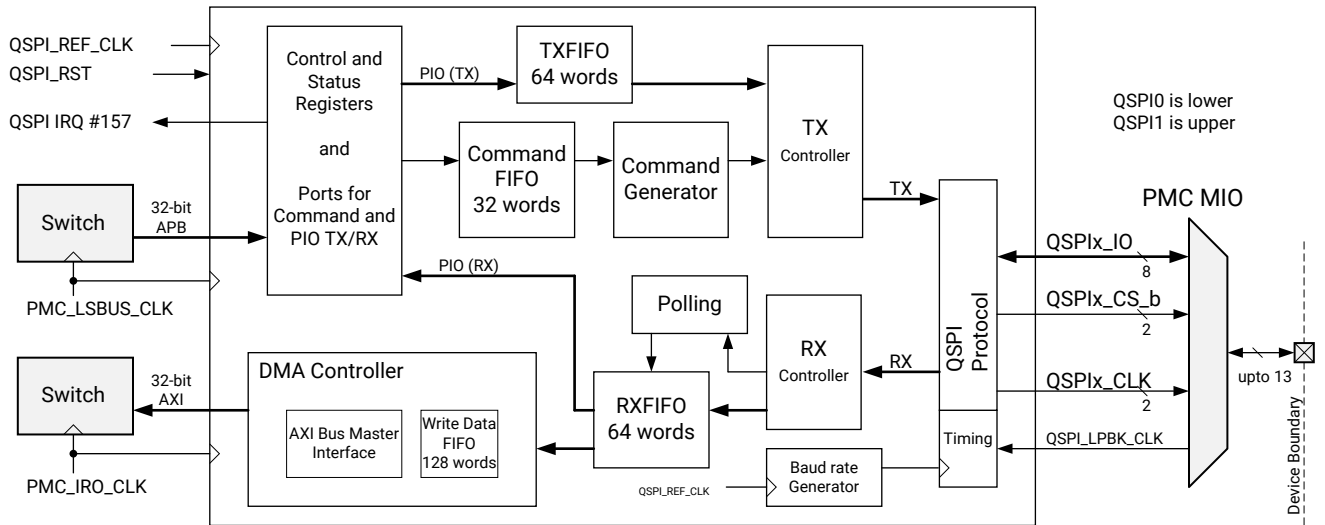
The QSPI controller can be a primary boot device. For more information, see [Quad SPI Boot Mode](#).

Block Diagram

The I/O interface is routed to the PMC MIO bank 0 pins. The I/O pins are listed in [MIO Signal Tables](#). The PMC MIO bank is shown in [MIO-at-a-Glance](#).

The high-level block diagram is shown in the following figure.

Figure 114: QSPI High-level Block Diagram



Functional Units

The high-level block diagram includes several major functional units.

TXFIFO and RXFIFO

The controller has a 64-word TXFIFO for sending content to the I/O interface and a 64-word RXFIFO for receiving data from the I/O interface. Use the QSPI.TXD register data port to write data to the TXFIFO and the RXD register data port to read data from the RXFIFO.

Command FIFO

Software writes 20-bit command words to QSPI.GEN_FIFO to configure and initiate transactions on the I/O interface. The command generator initiates transactions that are driven by the command fields. The controller transmits data written to the TXFIFO and receives data read from the RXFIFO.

Polling

The controller can repeatedly read the status of a the flash device looking for a specific pattern. This can be used to monitor the status of a flash device operation or other purpose.

DMA Controller

The DMA controller is used to move large blocks of data from the flash device to system memory. This is a master, write-only DMA controller on the AXI bus interface. It can only be used to read data from the flash device and write the data to system memory.

Interfaces

The controller has two system interfaces and a single I/O interface.

32-bit APB Slave Programming Interface

- Memory mapped, programming registers
- Control, status, and interrupt registers
- FIFO data ports

AXI Master Interface for DMA Controller Memory Writes

- 44-bit physical address with 32-word data bursts
- AxCACHE defines coherency and buffer ability of the transaction

Flash Memory I/O Interface

- 4 and 8-bit data I/O (one or two devices)
- QSPIx_CS_b Chip select
- QSPIx_CLK device clock
- QSPI_LPBK_CLK loopback clock

System Interfaces

The DMA is a burst-enabled, 32-bit AXI master on the PMC IOP interconnect. There are several PMC_IOP_SLCR registers available to control the AxCACHE and AxUSER transaction parameters.

The AXI write transactions include three options:

- Coherent or non-coherent with the FPD CCI
- Buffer-ability in the system
- Quality of service (QoS) settings

Coherent and Bufferable Transactions

The AXI coherency and bufferable transaction attribute can be programmed using the QSPI_AXI_COH register. If hardware coherency with the APU L2 cache is needed, the transaction must be routed through the FPU CCI using the [QSPI_Route](#) register. If coherency is not enabled, the FPD CCI can be bypassed for higher performance.

Note: In most applications, coherency is managed by software. The hardware coherency through the CCI slows down the DMA transfers and can severely impact the performance of the APU.

QoS

There are three classes of QoS transactions, which are explained in [Quality of Service](#). Normally, the best effort class is chosen. The class selection is controlled by the QSPI_IOP_INTERCONNECT_QOS register.

System Signals

The system signals connected to the QSPI controller include:

- [QSPI Clocks](#)
- [Controller Resets](#)
- [System Interrupt](#)
- [System Error](#)

The controller connects to several signals coming from and going to the system.

QSPI Clocks

The QSPI controller includes the following clocks:

- QSPI_REF_CLK for controller reference clock, see CRP [QSPI_REF_CTRL](#) register
- PMC_IRO_CLK for AXI DMA interface
- PMC_LSBUS_CLK for APB programming interface
- QSPIx_CLK for the I/O interface, two are present

The clock for the flash device I/O interface comes from the QSPI baud-rate generator. The baud-rate generator takes in the QSPI_REF_CLK clock and divides it down using the [GQSPI_Cfg](#) [BAUD_RATE_DIV] field to generate QSPIx_CLK.

Clock frequency guidelines are included in the [Flash Memory Controller Clock Frequency Requirements](#) section.

QSPIx_CLK Loopback Feature

The QSPI_LPBK_CLK is generated from the QSPIx_CLK and routed through the output buffer to a PMC MIO pin and returned back through the pin's input buffer to the controller for I/O delay compensation for greater timing accuracy. The I/O loopback clock signal is only used for I/O clocking >37.5 MHz. When the QSPIx_CLK device clock frequency is >37.5 MHz, the QSPI_LPBK_CLK must be routed to PMC MIO [6] and must be left unconnected on the PCB.

Controller Resets

Other resets are used to clear separate parts of the controller under software control by writing to the QSPI.FIFO_CTRL register. The QSPI-specific resets include:

- [RST_GEN_FIFO]
- [RST_TX_FIFO]
- [RST_RX_FIFO]

System Interrupt

The QSPI register module OR's the individual controller interrupts and generates a single system interrupt, IRQ #157.

System Error

The APB programming interface generates an address decode error if it detects an access violation. This is OR'd together with the APB address decode errors from other PMC blocks to create the PMC APB error in the PMC_GLOBAL.PMC_ERR2_ISR [0] register bit.

I/O Interface

The I/O interface is only available on the PMC MIO pins.

I/O Wiring Diagrams

The I/O wiring connections are shown in [Wiring Diagrams](#). The diagrams for boot modes are shown in [Quad SPI Boot Mode](#).

I/O Signals

The QSPI I/O signals are listed in the table in the [MIO Signal Tables](#).

Programming Model

The controller is managed by the QSPI register module. This include memory-mapped control and status registers. The DMA has a simple programming model that is controlled by QSPI registers.

Modes and States

Operating Modes

The controller operate modes include:

- Low-level protocol
- Programmed I/O (PIO) protocol
- DMA read flash, write system memory
- Read data polling

Start-up

The normal bring up process:

- Establish the QSPI_REF_CLK (PMC clock controller)
- Release the reset
- Set the baud-rate divisor (QSPI divider)
- Configure the controller
- Enable interrupts
- Set PIO or DMA mode
- Enable the controller
- Issue controller command
- PIO operating mode
 - Read/write data via TX/RXFIFOs
 - Issue controller commands
 - Monitor FIFOs in interrupt handler
- DMA operating mode
 - Configure and launch the DMA transfer
 - Program DMA controller
 - Program interrupts
 - Send SPI command to flash device using controller commands sent to the command FIFO
 - Initiate DMA transfer

- Wait for the DMA done interrupt [DONE] to be generated

Reset

The QSPI registers are reset by a POR or by the PMC reset controller using the RST_QSPI register.

A controller reset is required when:

- The QSPI_REF_CLK clock frequency is changed. The clock control is described in [System Perspective](#).
- When both the baud-rate divisor and the I/O device mode is changed. For example, a reset is required before changing from a single, or stacked device mode with a baud rate setting of 4 and then switching to the dual-parallel mode with a baud rate of 2.

PIO Mode

For PIO mode operation, follow these steps.

1. Select the generic quad SPI controller by writing a 1 to the generic_qspi_sel register bit.
2. Set the mode_en bits = 2'b00 of the [GQSPI_Cfg](#) register.
3. Check to make sure that the generic FIFO is not full and then write the data into the generic FIFO using a read or write command request on the APB interface.
4. Write the TX data into the TXFIFO when there is a write transfer over the APB interface.
5. When there is a write request, the generic quad SPI controller sends the command, address, dummies from the generic FIFO and sends write data from the TXFIFO.
6. When there is a read request, the generic quad SPI controller sends the command, address, dummies from the generic FIFO and sends read data into the RXFIFO.
7. Read requests are issued from the APB interface to receive the RX data.

When two flash devices are connected in stacked mode, the generic quad SPI controller checks for the data bus select field of the generic FIFO and sends the requests accordingly.

DMA Mode

For DMA mode operation, follow these steps.

1. Select the generic mode by writing a 1 to the QSPI.GEN_SEL register bit.
2. Write the command, address, dummies in the generic FIFO using the read request.
3. The generic quad SPI controller sends the command as programmed in the generic FIFO and reads the data into the RXFIFO.

- The DMA controller issues DMA requests using the AXI master interface and sends the RXFIFO data.

I/O Programming

The flash device I/O interface has three configurations. The configurations are controlled by the command word written to the GEN_FIFO data port.

For timing, see the Versal ACAP data sheets listed in [References](#).

Configurations

The I/O interface configurations are summarized in the following table. For more information, see [Quad SPI Boot Mode](#) topics.

Table 238: Quad-SPI I/O Configurations

I/O Type	Device Count	Chip Selects	Data Signals
Single 4-bit	1	Either ¹	Up to 4
Dual stacked	2	Either ¹	Up to 4
Dual parallel	2	Both ²	8

Notes:

- In the first case, either chip select can be used.
- QSPIO_CS_b is associated with lower four data bits. QSPI1_CS_b is associated with upper four data bits.

Clock Tap Control Settings

The three clock frequency ranges are shown in the following table.

Table 239: QSPI Clock Tap Delay Settings

Control	QSPIx_CLK Frequency Range			Register Bit Field
	≤ 37.5 MHz	>37.5 to 100 MHz	>100 to 150 MHz	
Data tap delay unit bypass	Bypass (1)	Bypass (1)	Enable (0)	PMC_IOP_SLCR.IOP_TAPDLY_BYPASS [LQSPI_RX] 0: Enabled, use tap delay 1: Bypass
Clock loopback pin enable	Disable (0)	Enable (1)	Enable (1)	LPBK_DLY_ADJ [USE_LPBK] ¹ 0: Disable 1: Enable
Data tap delay settings	00, 000	00, 000	01, 000	LPBK_DLY_ADJ [DLY1], [DLY0]

Table 239: QSPI Clock Tap Delay Settings (cont'd)

Control	QSPIx_CLK Frequency Range			Register Bit Field
	≤ 37.5 MHz	>37.5 to 100 MHz	>100 to 150 MHz	
Data delay enable	Disable (0)	Enable (1)	Disable (0)	DATA_DLY_ADJ [USE_DATA_DLY]
Data delay adjustment	000	000	000	DATA_DLY_ADJ [DATA_DLY_ADJ]

Notes:

1. If loopback is enabled, the QSPI_LPBK_CLK signal pin must be routed through the PMC MIO pin 6 and left unconnected on the PCB.
2. The data delay enable bit is not used when the clock lookback pin is disabled, [USE_LPBK] = 0. However, the data delay enable bit is normally written = 0 when loopback is not used.

I/O Striping Function

Striping Programming Examples

The following table lists QSPI striping examples.

Table 240: QSPI Striping Examples

	[IMM_DATA]	[DATA_XFER]	[STRIPE]	[TRANSMIT]	[RECEIVE]	[BUS_SELECT]
TX Data: to Both Flash Devices						
	EBh	0	0	1	0	11
TX Data: even Bytes to QSPI0, Odd Bytes to QSPI1						
	64h	1	1	1	0	11
TX Data: to Both Flash Devices (not common, but possible)						
	64h	1	0	1	0	11
RX Data: Note: [stripe] = 0 is N/A when [receive] = 1						
	64h	1	X ¹	0	1	11

Note: [STRIPE] = 0 is not applicable when [RECEIVE] = 1.

Striping with Odd Byte Count

The generic QSPI controller transfers the data using the programmed data length in the immediate_data field. When the data length bytes are odd, to send the last data byte, the lower data bus is active for extra byte time than the upper data bus. For example, when the immediate_data field is 5 bytes and the stripe option is used, the bytes 0, 2, and 4 (total of 3 bytes) are sent/received on the lower data bus and 1, 3 (total 2 bytes) are sent/received on the upper data bus. The QSPIx_CLK of the lower and upper are toggled accordingly.

Command Words

Controller commands are buffered in the command FIFO and are processed in order. The commands are used in all operating modes.

Word Format

The word format is designed to closely manage the flow of RX and TX data. Receive data is always via the RXFIFO. Transmit data can be written via the 32-bit TXFIFO or the 8-bit immediate data field in the command word.

Software writes the controller commands to the [Cmd_FIFO_Data](#) register. They are buffered in the 32-word deep command FIFO. The command word fields are described in the following table.

Table 241: Controller Command Word Format

Field Name	Bits	Description
[IMM_DATA]	7:0	Multipurpose field for data or byte count
[DATA_XFER]	8	Select [IMM_DATA] field usage: 0: Immediate write data RXFIFO 1: Data byte count in the format defined by [EXP]; write data is sent via the TXD data port Note: Read data is always received via the RXD data port (RXFIFO).
[EXP]	9	Select byte count calculation method: 0: Absolute count is in [IMM_DATA] field (maximum of 256 bytes) 1: Exponential count is calculated as byte transfer count = $2^{\text{[IMM_DATA]}}$
[MODE]	11:10	00: Reserved, do not use 01: 1-bit data I/O 10: 2-bit data I/O 11: 4-bit data I/O
[CS_LOWER]	12	Lower chip select control: 0: Deassert 1: Assert
[CS_UPPER]	13	Upper chip select control: 0: Deassert 1: Assert
[BUS_SEL]	15:14	Data bus enables for clocking: 00: No bus 01: Lower bus only 10: Upper bus only 11: Both buses Bus width depends on [MODE]

Table 241: Controller Command Word Format (cont'd)

Field Name	Bits	Description
[TX]	16	Transmit data enable: 0: Disable 1: Send data (immediate or via TXFIFO)
[RX]	17	Receive data enable: 0: Disable 1: Receive data (via RXFIFO)
[STRIPE]	18	Data stripe enable: 0: Disable (same data appears on upper and lower buses) 1: Enable (data is striped across lower and upper buses)
[POLL]	19	RX data polling enable 0: Disable 1: Enable

Immediate Data Field Usage

The functionality of the [IMM_DATA] field is shown in the following table. These commands can be applied to [CS_LOWER], [CS_UPPER], or both at the same time.

Table 242: Controller Command Immediate Data Field Usage

Operation	[DATA_XFER]	[IMM_DATA]	[RX]	[TX]	[BUS_SEL]
Write data from [IMM_DATA]	0	Single byte to write	0	1	xx
Write [IMM_DATA] number of bytes data to TXFIFO	1	x	0	1	xx
Read [IMM_DATA] number of bytes of data from RXFIFO The maximum number of data bytes that can be transferred at one are 2 ²⁸ in DMA and PIO mode	1	x	1	0	xx
Defines the number of dummy cycles	1	Dummy QSPIx_CLK clock periods	0	0	xx
Chip select setup time	0	Measured in QSPI_REF_CLK clock periods	0	0	10
Chip select hold time	0	Measured in QSPI_REF_CLK clock periods	0	0	00

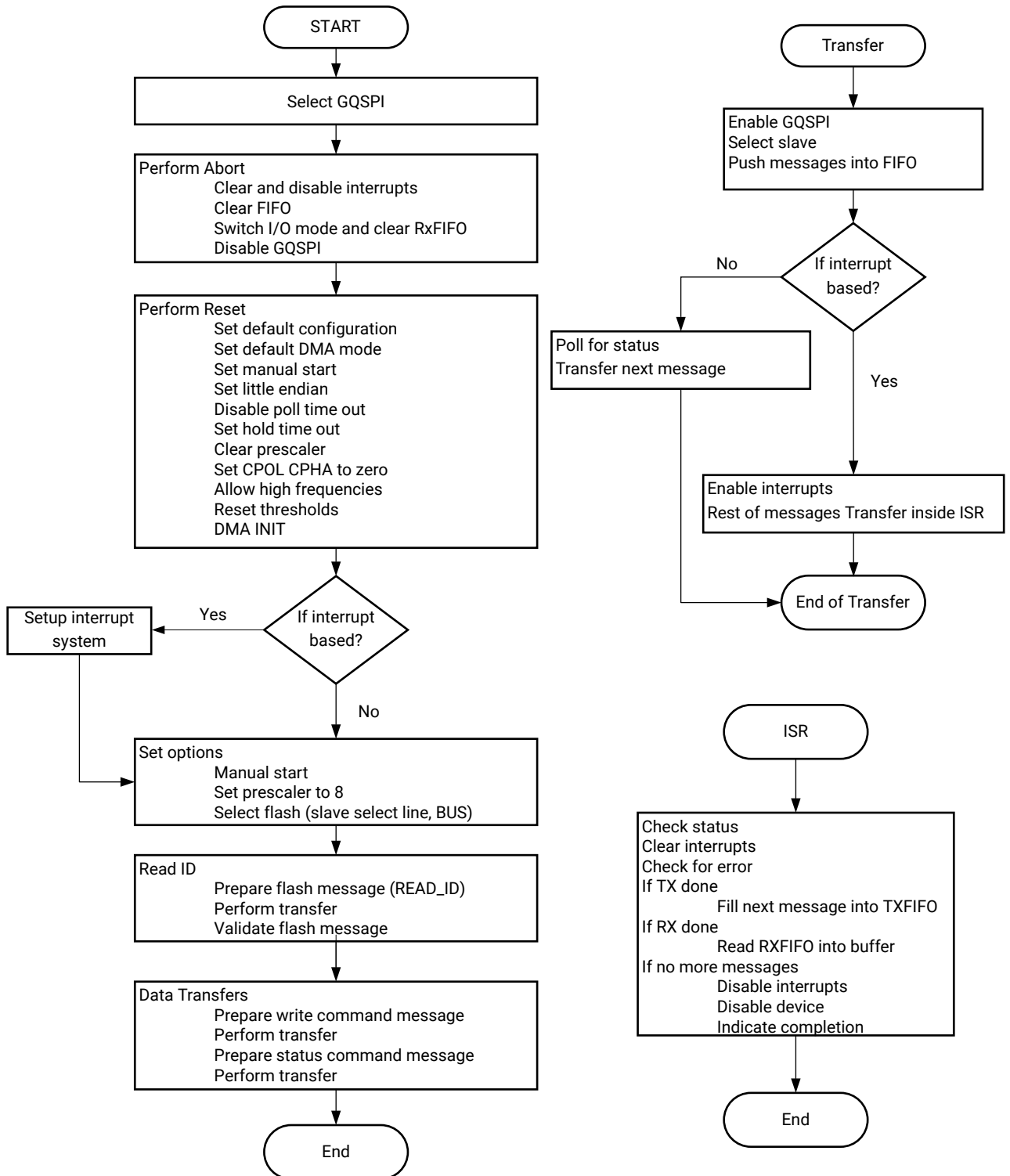
Programming

The overall programming guideline is shown in the [Programming Flowchart](#). This is followed by several programming models:

- [PIO Mode Programming Model](#)
- [DMA Programming Model](#)
- [Polling Programming Model](#)

Programming Flowchart

Figure 115: QSPI Programming Flowchart



X24044-053120

DMA Data Transfer Length Examples

The length of a data transfer is defined by one or more command words. Each command word includes a byte count. There are two ways to define the byte count. The method is defined by [EXPONENT]:

- 0: Byte count is in [imm_data]. Range is 0 to 128 (80h) bytes.
- 1: Exponent byte count = 2^[imm_data]. Range is 2, 4, 8, 16, and to megabytes.

Programming Examples

There are four data transfer length examples. Set [data_transfer] = 1.

Table 243: QSPI Data Transfer Length Examples

Byte Count	[imm_data]	[exponent]
64 Byte Transfer		
	40h	0
128 Byte Transfer		
	80h	0
1000 Byte Transfer - Option 1		
	09h	1
	08h	1
	E8h	0
1000 Byte Transfer - Option 2		
	08h	1
	08h	1
	08h	1
	E8h	0
1 GB Transfer		
	1Eh	1

PIO Mode Programming Model

In the programmed I/O (PIO) mode, the software interacts closely with the flash device protocol to read and write data. The device commands and data are written to the APB registers. The memory writes are sent to the flash device via the generic TXFIFO. Data from the flash device is read from the RXFIFO by reading the RXD register. The controller automatically fills the RXFIFO as data is read. Commands are used to set up data transfers. The RX and TXFIFOs are managed using the QSPI interrupts.

There are two options in the PIO mode to write the SPI command and transfer the data.

The first option is to send multiple controller commands to the command FIFO. The controller command includes an immediate 8-bit field that includes the SPI command and write data. For reads, the controller returns the byte data to the RXFIFO.

The other PIO access option is to initiate a transfer with a controller command and then write the SPI command and data content to the TXFIFO. In this case, the controller takes the content of the TXFIFO to send the SPI command and write data to the flash device. The read case is similar, except the data from the flash memory device is written to the RXFIFO by the controller. Software is expected to read data from the RXFIFO.

DMA Programming Model

The DMA mode reads data from the flash device and writes the data to system memory.

The main memory address is defined by [ADDRESS]. The DMA writes data for a length of [SIZE]. After software starts a DMA transfer, the software normally waits for an interrupt.

DMA Mode

Software sets up the DMA transfer and interrupt. It sends a controller command to initiate the transfer. To define the SPI command (for opcode, address, etc), the software writes multiple controller commands using the immediate field.

Polling Programming Model

The controller polling mode is used to repeatedly read a byte from the flash device and compare it to an expected 8-bit value. This mode is often used for status checking. The polling operation is configured by the QSPI.POLL_CFG register. When the data matches the value in [POLL_DATA] with the [MASK_EN] field applied, the data byte is written into the RXFIFO. This event can be programmed to generate an interrupt.

When two flash devices are used, the controller does not execute the next command until the data from both flash devices matches the value of the [POLL_DATA] with the [MASK_EN] field applied.

Status Checking Use Case

The polling operation is useful when checking the status of a flash device. For example, when a page program is issued to a flash device, the software itself can poll the status to check when the write is completed. This software polling requires multiple read requests from the flash device's status register. The polling operation autonomously reads the data and checks for the expected value independent of software.

Polling Timeout

The polling operation also includes a timeout feature. The timeout operation is configured by the POLL_TIMEOUT register and enabled by the CFG [EN_POLL_TIMEOUT] bit.

If the timeout occurs, the ISR [Poll_Time_Expire] interrupt bit is set to 1 if this interrupt is not masked. This interrupt bit asserts the QSPI system interrupt.

Register Reference

QSPI Registers

There are two register overview tables for the QSPI.

- QSPI register overview
- PMC_IOP_SLCR and CRP related registers for QSPI system control, clocking, and reset.

The QSPI registers are listed in the following table. The base address for these registers is 0xF103_0000.

Table 244: QSPI Register Set

Function	Register Name	Address Offset	Access Type	Description
I/O signals	Rx_Clk_Dly	0x03C	R/W	RX clock delay bypass enable
DMA	DMA_Dst_Addr_L	0x800	W	DMA destination memory address, low
	DMA_Dst_Addr_U	0x828		
DMA	DMA_Dst_Size	0x804	W	DMA transfer size with start feature
DMA	DMA_Dst_Status	0x808	R/WTC	DMA status
DMA	DMA_Dst_Ctrl	0x80C	R/W	DMA control reg 1
Commands	DMA_Dst_Ctrl2	0x824	R/W	DMA control reg 2
DMA interrupts	DMA_Dst_ISR	0x814	R	DMA interrupt status DMA interrupt mask DMA interrupt enable DMA interrupt disable
	DMA_Dst_IMR	0x820	W	
	DMA_Dst_IER	0x818	W	
	DMA_Dst_IDR	0x81C	R	

Table 244: QSPI Register Set (cont'd)

Function	Register Name	Address Offset	Access Type	Description
Configuration	GQSPI_Cfg	0x100	Mixed	Configuration
Configuration	GQSPI_En	0x114	RW	Controller enable
Data flow	Tx_Data	0x11C	W	Transmit data word
Data flow	Rx_Data	0x120	R	Receive data word
Write protect	GPIO_WProt	0x130	RW	GPIO write protect
I/O signals	LPBK_Dly_Adj	0x138	RW	Loopback clock delay adjustment
Commands	Cmd_FIFO_Data	0x140	W	Word port for FIFO command
Controller mode	Mode	0x144	RW	Controller mode set
FIFO control	GQSPI_FIFO_Ctrl	0x14C	W	TX/RX FIFO control, generic I/O mode
PIO interrupts	GQSPI_ISR	0x104	R/WTC W W R	Polling status and RX/TXFIFO interrupt states Interrupt mask Interrupt enables Interrupt disable
	GQSPI_IMR	0x110		
	GQSPI_IER	0x108		
	GQSPI_IDR	0x10C		
Data flow	Tx_Thresh	0x128	RW	TXFIFO threshold level
Data flow	Rx_Thresh	0x12C	RW	RXFIFO threshold level
Controller commands	GQSPI_GF_Thresh	0x150	RW	FIFO threshold level
Polling	GQSPI_Poll_Cfg	0x154	RW	Poll configuration
Polling	GQSPI_Poll_TO	0x158	RW	Polling timeout

QSPI I/O Interface

The QSPI has several I/O wiring and boot options. The wiring options are shown in the following figure. This is followed by two tables that describe the I/O signals. The boot options are listed in [Boot Modes](#).

These I/O configurations are supported by the programmed I/O access and DMA read modes.

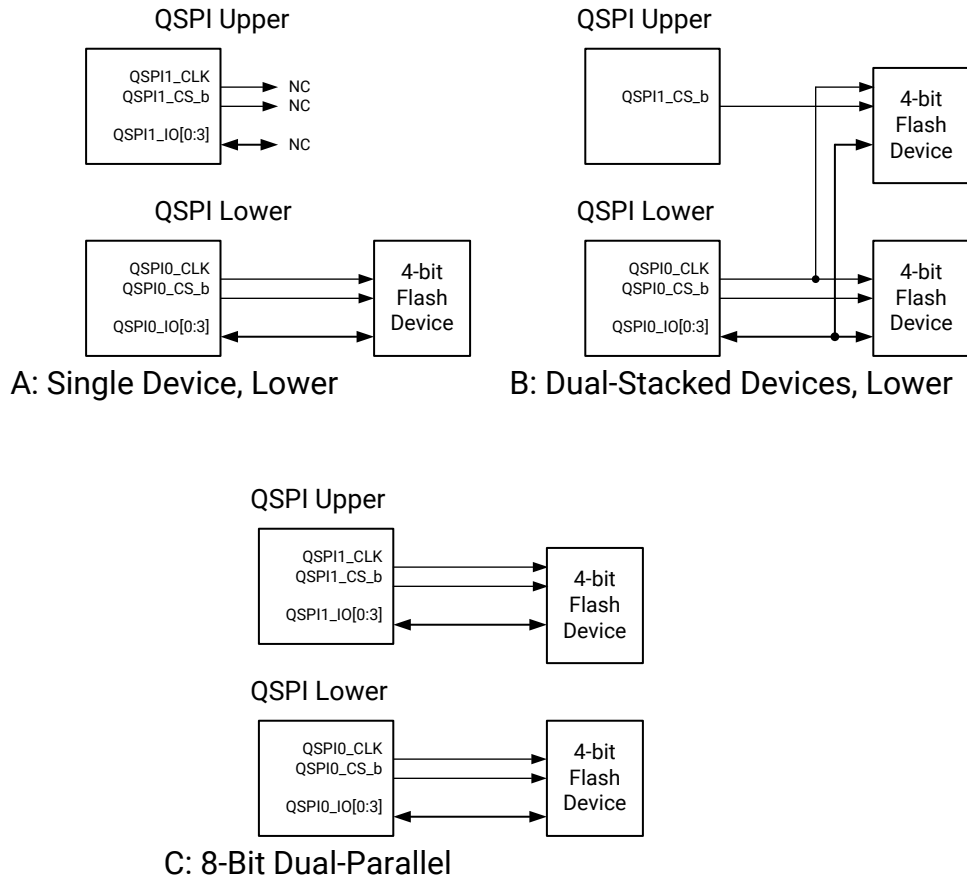
Wiring Diagrams

The I/O interfacing options for the flash device are:

- A: Single 4-bit device on lower interface (a boot mode)
- B: Dual-stacked 4-bit on lower clocks and data (a boot mode)
- C: Dual-parallel 8-bit (a boot mode)

For boot modes, see [Quad SPI Boot Mode](#).

Figure 116: QSPI I/O Interface Connection Diagrams



X25800-100121

MIO Signal Tables

The I/O interface is only available on the PMC MIO pins. The interface is not available on the LPD MIO pins or the PL EMIO interface.

The QSPI controller signals are listed in the following tables. The interface includes lower and upper controls, QSPI0 and QSPI1, respectively. The controller always drives the interface clock signal as an output.

Table 245: Quad SPI Flash Interface I/O Signals

Versal ACAP Signal Name	Flash Interface Protocols					
	1-bit		2-bit		4-bit	
	I/O	Name	I/O	Name	I/O	Name
QSPIx_CLK	O	CLK	O	CLK	O	CLK
QSPIx_CS_b	O	CS_b	O	CS_b	O	CS_b
QSPIx_IO[0]	O	MOSI	I/O	IO[0]	I/O	IO[0]

Table 245: Quad SPI Flash Interface I/O Signals (cont'd)

Versal ACAP Signal Name	Flash Interface Protocols					
	1-bit		2-bit		4-bit	
	I/O	Name	I/O	Name	I/O	Name
QSPiX_IO[1]	I	MISO	I/O	IO[1]	I/O	IO[1]
QSPiX_IO[2]	O	WP_b	O	WP_b	I/O	IO[2]
QSPiX_IO[3]	O	HOLD_b	O	HOLD_b	I/O	IO[3]
QSPi_LPbK_CLK	Enable for clock frequencies >37.5 MHz; it is a no connect on the PCB.					

MIO Configuration Table

The five MIO connection options are shown in [Wiring Diagrams](#) and are listed in the following table.

Note: The loopback clock signal is routed from the controller through the output buffer to the pin and returned back through the pin's input buffer to the controller for I/O delay compensation. The loopback clock signal is used by both QSPiX_CLK outputs via a clock gating circuit.

Table 246: Quad SPI I/O Signals

Signal Name	PMC MIO Pin	MIO-at-a-Glance Table	Device Interface Options				
			Single		Dual-Stacked		Dual-Parallel
			Lower Only	Upper Only	Lower for both devices	Upper for both devices	8-bit data
			A	B	D	E	E
Lower Interface							
QSPiO_CLK	0	0	CLK	~	CLK	~	CLK
QSPiO_CS_b	5	5	CS_b	~	CS_b	CS_b	CS_b
QSPiO_IO[0]	4	4	IO[0]	~	IO[0]	~	IO[0]
QSPiO_IO[1]	1	1	IO[1]	~	IO[1]	~	IO[1]
QSPiO_IO[2]	2	2	IO[2]	~	IO[2]	~	IO[2]
QSPiO_IO[3]	3	3	IO[3]	~	IO[3]	~	IO[3]
Upper Interface							
QSPi1_CLK	12	12	~	CLK	~	CLK	CLK
QSPi1_CS_b	7	7	~	CS_b	CS_b	CS_b	CS_b
QSPi1_IO[0]	8	8	~	IO[0]	~	IO[0]	IO[4]
QSPi1_IO[1]	9	9	~	IO[1]	~	IO[1]	IO[5]
QSPi1_IO[2]	10	10	~	IO[2]	~	IO[2]	IO[6]
QSPi1_IO[3]	11	11	~	IO[3]	~	IO[3]	IO[7]
Loopback Clock Output							
QSPi_LPbK_CLK	6	6	For clock frequencies >37.5 MHz				

SD/eMMC Controllers

The controller communicates with SDIO devices, SD memory cards, and eMMC devices. The controller modes use up to eight data signals.

The controller's 32-bit registers are accessed via an AXI programming interface. The register set includes a data port to read from and write the I/O port. The SD/eMMC I/O interface is routed through the PMC MIO or the EMIO. The I/O interface is not available through the LPD MIO.

The controller also includes an AXI interface for the dual-mode DMA controller. The DMA controller has a simple programming mode and a descriptor based mode.

Compatibility

The controller is compatible with the following specifications:

- SD host controller standard specification version 3.00
- SD memory card specification version 3.01
- SD memory card security specification version 1.01
- SDIO card specification version 2.0, 3.0
- eMMC specification version 4.51

Boot Device

The SD_eMMC controllers can be a boot device with one of several I/O interface modes. For more information, see the [Boot Modes](#) chapter.

Features

The controller key features are listed in the following sections.

SD/SDIO Mode

- 1- and 4-bit data

- Operating mode maximum clock rates
 - Standard, default speed mode at 25 MHz
 - High-speed mode at 50 MHz
 - SDR12 at 25 MHz
 - SDR25 at 50 MHz
 - SDR50 at 100 MHz
 - SDR104 at 200 MHz, up to 800 Mb/s data rate
 - DDR50 mode at 50 MHz
- Variable-length data transfers
- Cyclic redundancy check CRC7 for command and CRC16 for data integrity
- Performs read wait control, suspend/resume operation SDIO card
- Card detection (insertion/removal) and write protect input signals
- Designed to work with I/O cards, read-only cards, and read/write cards
- Read wait control, suspend/resume operation
- Control signals for external voltage level shifter

eMMC Mode

The eMMC I/O interface includes data widths up to 8 bits with a clock frequency of up to 200 MHz.

- 1-bit, 4-bit, and 8-bit data
- Operating mode with maximum clock rate:
 - Legacy MMC speed mode at 25 MHz
 - High-speed SDR and DDR modes at 50 MHz
 - HS200 mode at 200 MHz for up to 1600 Mb/s data rate
- Cyclic redundancy check CRC7 for command and CRC16 for data integrity.

Primary Boot Device

The SD/eMMC controllers can be used as a boot device in both SD and eMMC modes.

Power Domain

The SD/eMMC controllers are in the PMC power domain.

Comparison to Previous Generation Xilinx Devices

The SD/eMMC controller is similar in the Zynq® UltraScale+™ MPSoC devices.

Improvements and changes:

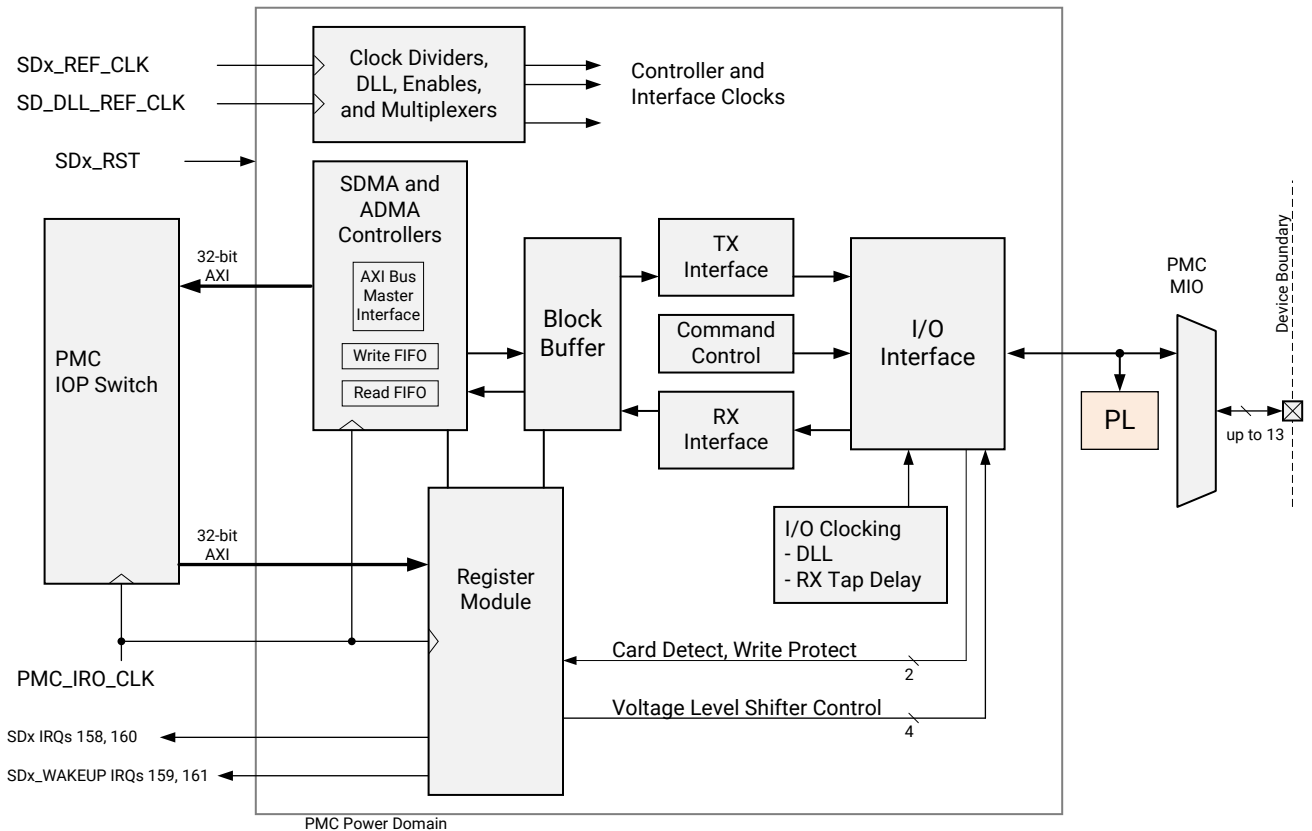
- Enhanced DLL with new programming model
- DLL is used for all frequencies above 25 MHz
- Separate SD 0 and 1 register sets for the DLL TAP delays
- Maximum frequency with external level shifter bumped from 19 to 20 MHz
- Tuning count default value changed from 32 to 40
- SD_REF_CLK divider set = 0 results in a divide by 1

System Perspective

Block Diagram

The SD/eMMC block diagram is shown in the following figure.

Figure 117: SD/eMMC High-level Block Diagram



X23029-092821

Functional Units

PIO Controller

In PIO mode, the software can access the SD data port register through the AXI slave interface. This is the PIO method in which the host software driver transfers data using the buffer data port register. Only single transfers are allowed (no burst support). Also, only one outstanding read/write transaction is allowed.

PIO SDMA Controller

In SDMA mode, the controller interacts with the registers set and starts the DMA engine for commands with a data transfer. The controller maintains the block transfer counts for PIO operation.

The programming model is explained in [Register-driven DMA Mode](#).

Descriptor ADMA Mode

ADMA includes a descriptor-based architecture with scatter-gather capabilities. Software creates descriptor tables in system memory that are processed in the ADMA mode.

The programming model is explained in [Descriptor-driven DMA Mode](#).

Note: The ADMA unit can also be referred to as ADMA2.

ADMA Controller

The DMA controller supports both SDMA and ADMA modes. The DMA controller uses the master AXI interface to transfer data between the block buffer and the system memory. The controller also uses this interface to access descriptor tables in system memory. The DMA controller also implements a host transaction generator to control the host master interface.

The DMA memory transactions can be routed to the FPD CCI for cache coherency with the APU or a non-coherent path including a NoC port to access system memory or AXI routing to the OCM.

System Interfaces

The host controller interfaces to the system bus using the AXI master and slave interface.

AXI Slave Interface for Programmed I/O

The AXI slave programming interface provides software with access to the read/write memory mapped registers for control and status. It also provides port accesses for programmed I/O commands, reads, and writes. All accesses are single 32-bit read/write transactions.

AXI Master Interface for DMA Transfers

The 32-bit AXI master is used by the SDMA for simple programmed I/O access and the ADMA for autonomous read and write memory transactions using descriptor tables with scatter-gather capabilities.

System Signals

System signals connected to the SD/eMMC controller include:

- [SD Clocks](#)
- [Controller Reset](#)
- [System Interrupts](#)
- [System Errors](#)

SD Clocks

System Clocks

The controller receives the following system clocks from the PMC clock controller:

- SDx_REF_CLK reference clock for the DIV_CLK module and controller
- SD_DLL_REF_CLK reference clock for SD DLL module
- PMC_IRO_CLK for the AXI DMA and programming interfaces

Note: Two clock frequency restrictions between the SDD DLL and the reference clocks are included in the [Flash Memory Controller Clock Frequency Requirements](#) section of the [Clocks](#) chapter.

Interconnect Interface Clocks

There are two AXI interfaces and they are both clocked by PMC_IRO_CLK.

- AXI 32-bit slave interface for data and control register programming
- AXI 32-bit master interface for DMA

Controller Clock

The controller logic is always clocked by the DIV_CLK output from 10-bit divider clocked by the SDx_REF_CLK reference clock signal.

I/O Interface Clock

The controller supports a wide range of I/O clock frequencies including 400 kHz discovery and 25, 50, 100, and 200 MHz frequencies (some with double data rate).

The overall clock architecture is shown in the [Clock Block Diagram](#). The controller always drives the I/O interface clock, SDx_CLK from one of two possible sources: DIV_CLK from the clock divider and three clocks from the DLL module. The clock source depends on the desired I/O clock frequency:

- 25 MHz or less uses simple divider on ref clock. See [25 MHz I/O Clock Range](#).
- > 25 MHz requires the DLL module. See [High-speed I/O Clocking](#).

The I/O interface clocking is described in the [I/O Clock Functionality](#) section.

Controller Reset

The controller can be reset from the PMC reset controller or by writing to the controller's software reset register. The PMC reset affects the entire controller and sets all registers to their reset default state.

The attached eMMC card can be reset using the powercontrol [emmc_hwreset] register bit.

System Interrupts

Each controller generates two system interrupts. The IRQ numbers refer to controllers 0 and 1, respectively.

- Wake-up interrupt (IRQ# 158 and 160)
- Controller interrupt managed by three sets of register controls (IRQ# 159 and 161)
 - Normal interrupts, see the [NORM_INTR_STS](#) register
 - DMA interrupts, see the [ADMA_ERR_STS](#) register
 - Error interrupts, see the [ERR_INTR_STS](#) register

The enabled controller interrupts are OR'd together and assert the SD/eMMCx system interrupt. The wake-up interrupt is separate from the controller interrupts. All system interrupts are listed in [IRQ System Interrupts](#).

System Errors

The APB programming interface generates an address decode error if it detects an access violation. The system errors are listed in [PMC Error Status Registers](#).

I/O Interface

The controller provides I/O signals for SDIO and eMMC interfacing. These interface signals are routed to the PMC MIO pins.

Configurations

- SD and SDIO
- eMMC

MIO Interface

Each I/O interface is routed separately through the PMC MIO or the PL EMIO. The interface is not available through the LPD MIO. The SD I/O interface signals includes 1 and 4-bit data with card detect, and write protect. The interface also includes signals to control an optional external voltage level shifter for interfacing to the devices at 3.3V and switching to 1.8V for higher speed, SD 3.0 functionality.

The I/O interface signals are listed in [SD I/O Signals](#).

I/O Wiring Diagrams

The I/O wiring connections for boot modes are shown in [SD Boot Modes](#).

Modes and States

Speed Modes

The SD card speed modes are listed in the following table.

Table 247: SD Card Speed Modes

Speed Mode ¹	Data Rate	Clock Edge	I/O Width	Frequency (MHz)	Clock Source	Max. MB/s	SD Card Voltage	MIO/EMIO
Default speed ²	Single	Falling	1, 4	25	DIV_CLK	12.5 ³	3.3V	MIO, EMIO
High speed	Single	Rising	1, 4	50	DLL Clock	25 ⁴	3.3V	MIO
SDR-12	Single	Rising	4	25	DIV_CLK	12.5	1.8V	MIO, EMIO
SDR-25	Single	Rising	4	50	DLL Clock	25	1.8V	MIO
DDR-50	Double	Both	4	50	DLL Clock	50	1.8V	MIO
SDR-50	Single	Rising	4	100	DLL Clock	50	1.8V	MIO
SDR-104	Single	Rising	4	200	DLL Clock	100	1.8V	MIO

Notes:

1. SD line selection is based on SD 2.0 or 3.0 mode.
2. When using an external voltage level shifter, the maximum frequency is 20 MHz.
3. Throughput is reduced to 3.125 MB/s in 1-bit mode.
4. Throughput is reduced to 6.25 MB/s in 1-bit mode.

The MMC and eMMC speed modes are listed in the following table.

Table 248: MMC and eMMC Speed Modes

Speed Mode	Data Rate	Clock Edge	I/O Width	Frequency (MHz)	Clock Source	Max. MB/s ³	SD Card Interface Voltage	MIO/EMIO
Legacy MMC speed ^{1, 2}	Single	Falling	1, 4, 8	25	DIV_CLK	25	1.8, 3.3V	MIO, EMIO
HS-SDR	Single	Rising	4, 8	50	DLL Clock	50	1.8, 3.3V	MIO
HS-DDR	Double	Both	4, 8	50	DLL Clock	100	1.8, 3.3V	MIO

Table 248: MMC and eMMC Speed Modes (cont'd)

Speed Mode	Data Rate	Clock Edge	I/O Width	Frequency (MHz)	Clock Source	Max. MB/s ³	SD Card Interface Voltage	MIO/EMIO
HS-200	Single	Rising	4, 8	200	DLL Clock	200	1.8V	MIO

Notes:

1. Legacy MMC speed relates to default MMC speed.
2. The default eMMC boots in legacy MMC speed mode only. Software driver can switch to the high-speed modes for higher throughput.
3. Throughput is based on an 8-bit I/O interface width.

States

The controller has several states:

- Reset
- Configuration
- Normal
- Sleep

Main Functionality

The main functional units include:

- [Command Controller](#)
- [Transmit Control Unit](#)
- [Receive Control Unit](#)
- [Timeout Control](#)
- [Data Transfer Block Buffer](#)

The I/O interface units are described in [I/O Functionality](#).

Command Controller

The SD command control generates the command sequence on the CMD line of the SD interface for every new command programmed by the software. The command control controller also implements the response reception and checking the validity of the response. It uses the response type field to determine the length of the response and the presence of the CRC7 field. The response is received on the receive clock, which is either the looped back clock or the tuned

clock. After the response is received, the contents of the response (start bit, command index, CRC7, end bit) are verified and the response status is written to registers, setting various status bits. The controller also implements a timeout check on the response reception to make sure that the response is received within the defined time (5 or 64 clocks based on command type). The received response is stored into the appropriate bit position in the response register. The SD command controller generates controls to the SD transmit control and SD receive control based on the transfer direction. The SD command controller also generates an auto command (AutoCMD12 or AutoCMD23) when enabled.

Transmit Control Unit

The transmit control unit is used for writing transfers to transfer data to the card. After the command is issued, the controller waits for a block of data to be available in the block buffer and transfers the data onto the SD DAT lines. Based on the configuration of data lines (1-bit, 4-bit, or 8-bit), the data from the block buffer is appropriately routed. The CRC16 is individually calculated on a per-lane basis and is attached at the end of block transfer before the END bit. In DDR operation, the transmit control unit implements a separate CRC16 for each edge of the clock. At the end of block transfer, it waits for the CRC response on the DAT0 line and reports the result of the CRC check to the register set. The controller also checks for a write busy indication (DAT0 line) before transferring the next block of data. A timeout check is implemented to ensure that the write busy is asserted no more than the required limit.

Receive Control Unit

The receive control unit is used for read transfers for receiving data from the card. After the command is issued, the controller waits for the block of data to be received from the card. Based on the configuration of data lines (1-bit, 4-bit, or 8-bit), the data from the SD interface is assembled into bytes and eventually into a 32-bit word before it is written into the block buffer. The CRC16 is individually calculated on a per-lane basis and is checked against the received CRC16 at the end of block transfer before the END bit. In DDR operation, the receive control unit implements a separate CRC16 checker for each edge of the clock. The data is received on the receive clock. This receive clock is either the looped back clock (SD_CLK from the IO_BUF) or the tuned clock using delayed-lock loop (DLL) or delay (DLY) elements. A timeout check is implemented to ensure that the gap between the block is no larger than the required limit.

Timeout Control

The SD timeout control unit implements the timeout check between block transfers. It uses the contents of the timeout control register to implement timeout between blocks.

The timeout control operates under the control of the transmit control and receive control units (based on direction). When a timeout is detected, the event is reported to the transmit control or receive control units.

Data Transfer Block Buffer

The transfer buffer is dual-ported between the DMA units attached to the AXI and read and write I/O interfaces. Transfers are broken down into a data block size. The minimum size is 512 bytes and the maximum is 2 KB. For maximum performance, the buffer must be twice the maximum block size being transferred to enable pipelining.

During a write transaction from the system memory to the TX interface, data is stored in the transfer buffer. When a block of data is written into the buffer (done), the TX interface then sends it out onto the I/O interface. The DMA controller can continue to fetch additional blocks of data if the transfer buffer has space. During a read transaction from the RX interface to system memory, data is stored in the transfer buffer.

The data stored from the RX interface is not committed until the CRC checking is performed. When an RX block of data is available in the transfer buffer, the SDMA or ADMA transfers this data to system memory via the AXI master interface. Meanwhile, the RX interface can receive the next block of data, provided there is space available in the transfer buffer (the block memory size is less than half the available transfer buffer memory size for RX transactions).

- Issue a read wait command to the I/O interface (if supported by the external device)
- Stop the SDx_CLK signal

I/O Functionality

The SD interface controller maps the internal signals to the external SD interface and vice versa. Based on the bus width (1, 4, or 8) the internal signals are driven out appropriately.

In the case of a default speed (DS) mode, the outputs are driven on the negative edge of the SD_CLK.

The inputs are latched on the RX_CLK (looped back or tuned clock) and output to the receive control unit for further processing.

Card Detect

The controller monitors the SDx_CD_b input signal to detect when a card is inserted or removed.

Debouncing logic is included on this input to filter false transitions. Insertion and removal events that are detected on the card detect signal are posted in the interrupt status register.

- Card detection uses the SD host control register card detect signal bit as the selection bit
- If the SD control register card detection bit = 1, the card is inserted during boot time or an eMMC

- If the SD control register card detection bit = 0, the SD slot interface is used to identify the insertion and removal of the card using the MIO pin

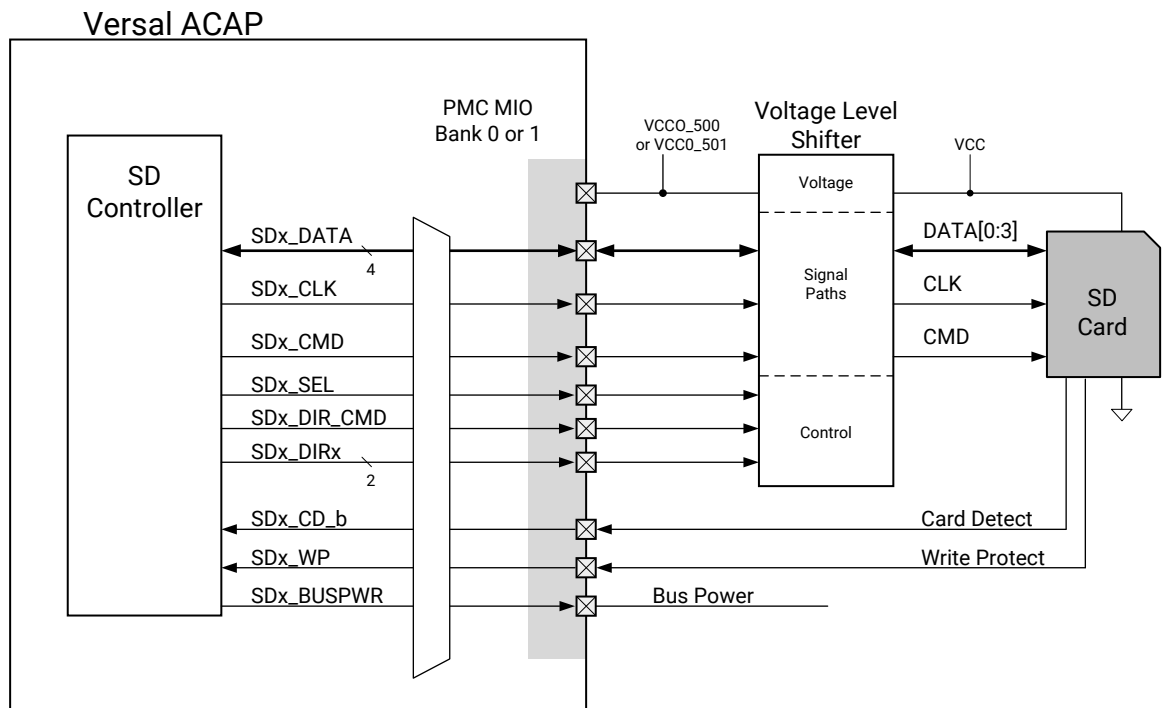
Voltage Level Shifter Interface

The external voltage level shifter is for interfacing to SD cards. The SD I/O signals are routed through one of the two PMC MIO banks (0 or 1). The I/O voltage for the entire 26 pin MIO bank is from one set of power pins. They are usually supplied with 1.8 or 2.5V. For SD 3.0 boot and other applications, an external voltage level shifter is needed to enable the controller to initially interface at 3.3V at the card and then a lower voltage for high-speed transfers.

The wiring diagram for an SD card connected to a voltage level shifter is shown in the following figure. This example shows the PMC MIO bank 0 and is powered by the VCCO_500 power pins. PMC MIO bank 1 is powered by the VCCO_501 power pins.

Note: The SDx_DIR0 and SDx_DIR1 direction signals might not be required for all devices. Verify with device vendor.

Figure 118: External Voltage Level Shifter Wiring



X23051-080620

Boot Sequence Example

After the boot up, the SEL pin is used to switch from 3.3V to 1.8V to operate at the highest speed modes of the SD cards. The SEL pin is automatically driven by the controller if configured in SD3.0.

The voltage translation function is implemented by an external voltage level translator.

I/O Clock Functionality

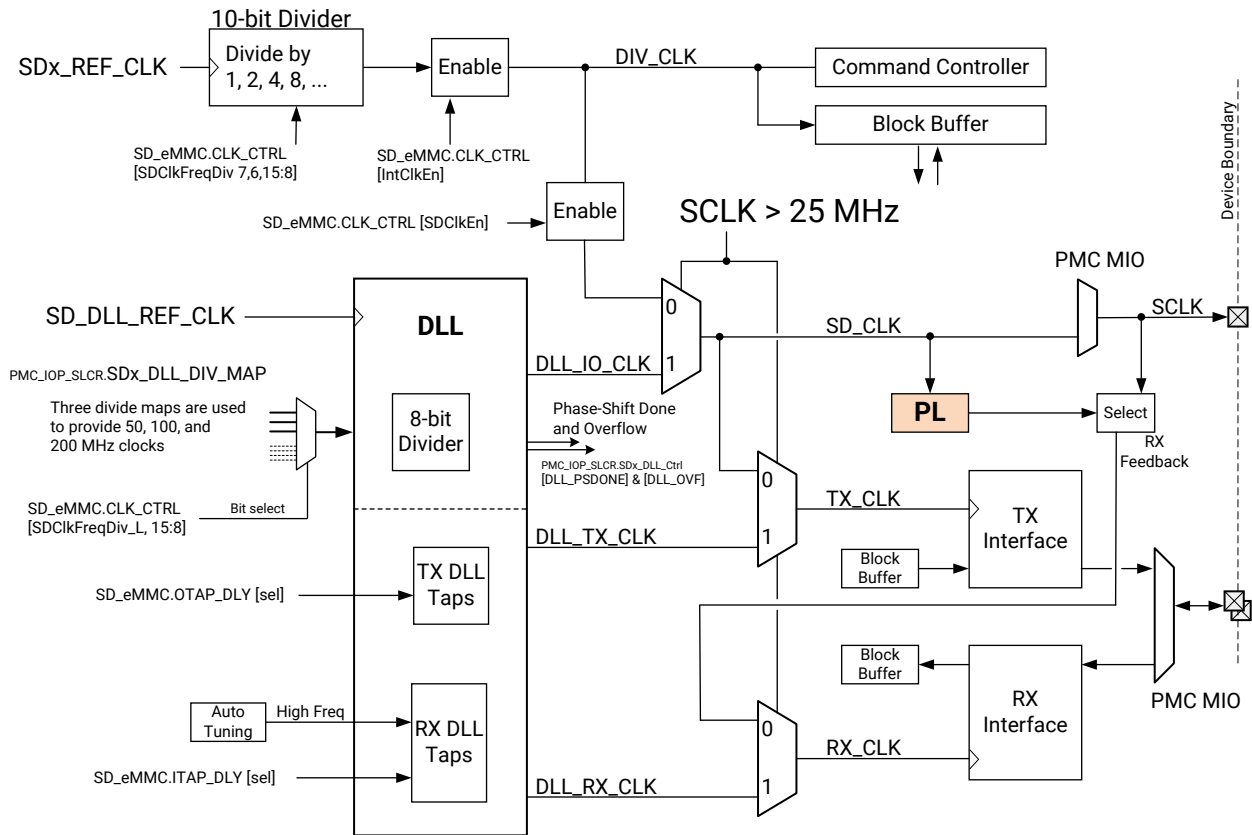
The I/O clock functionality includes the following sections:

- [Clock Block Diagram](#)
- [Controller Clock Start-up](#)
- [I/O Clocking Modes](#)
- [I/O Clock Frequency Control Sequence](#)
- [25 MHz I/O Clock Range](#)
- [High-speed I/O Clocking](#)

Clock Block Diagram

The clock routing paths and selection mechanisms are shown in the following figure. There are two controllers (the figure shows one controller).

Figure 119: SD Clock Block Diagram



X23030-110221

Controller Clock Start-up

During start-up, the controller and I/O operate at 400 kHz using the DIV_CLK. This is accomplished by setting SDx_REF_CLK to 200 MHz and the clock divider fields to 100h (divide by 512). After the software has determined the capabilities of the SD/eMMC device, it can reprogram the clock divider to generate the DIV_CLK to match the desired I/O clock frequency.

If this clock frequency is over 25 MHz, the software needs to program the DLL, the SD_DLL_REF_CLK, and configure the controller to use the clocks from the DLL. After the DLL has locked, clocking for the SCLK output and the RX/TX interface units can switch over to the DLL clock source.

I/O Clocking Modes

The controller's I/O clocking modes are listed in the following table.

Table 249: SD_eMMC Clocking Modes

Controller Mode		Clock Rate (MHz)	Data Rate	Clock Source	Tuning Method
SD	Default speed	25	Single	DIV_CLK	~
	SDR-12	25	Single	DIV_CLK	~
	High speed	50	Single	DLL Clocks	Manual
	SDR-25	50	Single	DLL Clocks	Manual
	DDR-50	50	Double	DLL Clocks	Manual
	SDR-50	100	Single	DLL Clocks	Auto-tuning
	SDR-104	200	Single	DLL Clocks	Auto-tuning
eMMC	Legacy MMC	25	Single	DIV_CLK	~
	HS-SDR	50	Single	DLL Clocks	Manual
	HS-DDR	50	Double	DLL Clocks	Manual
	HS-200	200	Single	DLL Clocks	Auto-tuning

I/O Clock Frequency Control Sequence

The programming sequence is as follows using the [CLK_CTRL](#) register.

1. Disable the clock by clearing [IntClkEn, 0] to 0 and [SDClkEn, 2] to 0.
2. Set the clock divisor value using [SDClkFreqDiv_U] and [SDClkFreqDiv_L] and set the [IntClkEn, 0] bit to a 1.

Note: The internal clock enable register value [IntClkEn, 0] needs to be cleared to 0 for at least one SD_CLK cycle whenever the clock frequency is changed. This can be timed using the CPU clock or timer.

3. Read the [IntClkStable, 1] bit until it reads a 1, which means the internal clock is stabilized.
4. Enable the SD clock by setting [SDClkEn, 2] to 1.

25 MHz I/O Clock Range

For all frequencies 25 MHz and less, the SD controller uses the clock from the DIV_CLK module.

The clock structure is shown in the [Clock Block Diagram](#). The frequency control is explained in [Clock Frequency Divider Register Settings](#).

RX Interface

The RX interface is clocked by a signal that is looped back from the SCLK output pad. The SCLK output is driven by the DIV_CLK.

TX Interface

The TX interface is clocked by the DIV_CLK and the 10-bit counter driven by the SDx_REF_CLK from the PMC clock controller.

Low-speed Clock Control Settings

The registers to control the clock frequency and tap delays are shown in the following table. These controls are also shown in the [Clock Block Diagram](#). The registers are listed in the following table with bit field name and bit field number.

Table 250: Low-speed Clock Control Settings

SD_EMMC Register	Field Name, Bits	Setting	Description
Clock Controls			
CLK_CTRL	[SDClkFreqDiv_U, 7:6] [SDClkFreqDiv_L, 15:8]	Depends on mode	Clock frequency divider
	[IntClkEn, 0]	1	Divider, DLL clock and TX output enable
	[SDClkEn, 2]	1	Divider or DLL output enable
Clock Status			
CLK_CTRL	[IntClkStable, 1]	1	Read-only: 0: Not ready 1: Ready

Clock Frequency Divider Register Settings

The clock frequency divider receives the SDx_REF_CLK from the PMC clock controller to generate the DIV_CLK that is used for a 25 MHz or less SDx_CLK frequency. The SDx_REF_CLK reference clock frequency is controlled by the SD_EMMC CLK_CTRL [SDClkFreqDiv_L] and [SDClkFreqDiv_U] register bit fields. The register settings for each low-frequency setting is shown in the following table.

Table 251: SD/eMMC Clock Frequency Divider Register Settings

SDx_CLK Frequency (MHz)	SDx_REF_CLK Frequency)	CLK_CTRL Register	Divider Value (decimal)
		SDClkFreqDiv	
25.00	200 MHz	4	8
20.00		5	10
16.67		6	12
25.00	100 MHz	2	4
16.67		3	6
12.50		4	8
10.00		5	10

Table 251: SD/eMMC Clock Frequency Divider Register Settings (cont'd)

SDx_CLK Frequency (MHz)	SDx_REF_CLK Frequency)	CLK_CTRL Register	Divider Value (decimal)
		SDClkFreqDiv	
12.50	25 MHz	1	2
6.125		2	4
4.12		3	6
3.12		4	8
2.50		5	10

High-speed I/O Clocking

The clock structure is shown in [Clock Block Diagram](#). The registers to control the clock frequency and tap delays are shown in the figure in the Clock Block Diagram section.

DLL Programming Model

There are two parts to programming the DLL.

- Program the DLL reference clock source (shared with both controllers)
- Program the DLL module in the SD_eMMC controller

DLL Reference Clock

DLL reference clock controls are in the CRP-based [SDIO_DLL_REF_CTRL](#) register.

- Select PLL source: [SRCSEL] bit field
- Set 10-bit divisor: [DIVISOR] bit field
- Enable the clock: [CLKACT] bit field

DLL Module

The clock delays for the RX and TX interface units are imposed by selecting delay taps in the DLL module. The maximum number of delay taps is 180. At a high frequency, the typical number of tap delays is much smaller. The lower the frequency, the more taps available.

DLL module control registers are in the SD_eMMU register module.

- [CLK_CTRL](#) register fields:
 - [SDClkFreqDiv_H,7:6]
 - [SDClkFreqDiv_L, 15:8]
- [ITAP_DLY](#) register field: [sel, 7:0]

- **OTAP_DLY** register field: [sel, 5:0]

DLL Clock Settings

The DLL clock settings are listed in the following table.

Table 252: SD/eMMC DLL Clock Settings

SD_REF_CLK	SD_DLL_REF_CLK	CLK_CTRL [SDClkFreqDiv] setting	Actual DLL Divider Value	SD_CLK Frequency (MHz)
200 MHz	1500 MHz	0	7.5	200
	1500 MHz	1	15	100
	1500 MHz	2	30	50
	1500 MHz	3	45	33.33
100 MHz	1500 MHz	0	15	100
	1500 MHz	1	30	50
50 MHz	1500 MHz	0	30	50

High-speed Clock Control Settings

The clock control and status bits are listed in the following table.

Table 253: High-speed Clock Control Settings

SD_EMMC Register	Field Name, Bits	Setting	Description
Clock Controls			
CLK_CTRL	[SDClkFreqDiv_U, 7:6] [SDClkFreqDiv_L, 15:8]	Note ¹	Clock frequency divider
	[IntClkEn, 0]	1	TX output enable
	[SDClkEn, 2]	0	Clock enable
Clock Status			
CLK_CTRL	[IntClkStable, 1]	1	Read-only: 0: Not ready 1: Ready
DLL Clock Controls			
OTAP_DLY	[sel, 5:0]	Note ²	Output tap delay select
ITAP_DLY	[sel, 7:0]	Note ²	Input tap delay select

Notes:

1. Set these bits based on the required frequency of the SDx_REF_CLK and SDx_CLK. See [Clock Frequency Divider Register Settings](#). For frequencies above 25 MHz, the SDx_REF_CLK is set to 200 MHz.
2. These values are used to manually tune the DLL clock phases RX. See [DLL Programming Model](#).

High-speed TX Clocking

For clock frequencies greater than 25 MHz, the DLL generates the clock for the TX interface that drives the command and data output signals.

- DLL_IO_CLK to the SCLK clock output pad
- DLL_TX_CLK to the TX interface for clocking-out the command and data output pads

The DLL_TX_CLK does not affect the SCLK output.

The timing of the DLL_TX_CLK relative to the DLL_IO_CLK is adjusted using a 180-tap unit. The TX tap for DLL_TX_CLK is selected by the SD_eMMC OTAP_DLY [sel] bit field. The clock frequency determines the number of useful taps.

- 200 MHz: 8 taps
- 100 MHz: 15 taps
- 50 MHz: 30 taps
- 33 MHz: 45 taps

Example programming values are shown in [DLL Programming Example](#).

High-speed RX Clocking

For clock frequencies greater than 25 MHz, the DLL generates the DLL_IO_CLK for the SCLK output and the DLL_RX_CLK for the RX interface to latch the data input signals.

The timing of the DLL_RX_CLK relative to the DLL_IO_CLK reference clock is adjusted using a 180-tap unit. The RX tap is selected by the SD_eMMC ITAP_DLY [sel] bit field. The clock frequency determines the number of useful taps.

- 200 MHz: 30 taps
- 100 MHz: 60 taps
- 50 MHz: 120 taps
- 33 MHz: 180 taps

Example programming values are shown in [DLL Programming Example](#).

Auto-tuning Unit in DLL

For the SDR-50, SDR-104, and HS-200 modes, automatic RX tuning is performed. The controller uses a built-in algorithm to issue a series of tuning commands to the attached device. Each access uses a different tap delay setting to find the center of the band of successful data transitions. The tap located in the center of the band is selected.

In other modes (such as DDR50), the manual tuning of the SD_CLK can be performed using the DLL clock and module register controls, see the [Manual DLL Programming Sequence](#) section.

Auto Tuning Note

After auto-tuning, one of the following must occur before sending any command sequence including CMD19, CMD21, or any other command sequence. An example for SDO is as follows:

- SD_eMMC [CLK_CTRL](#) [IntClkStable, 1] reads = 1
- PMC_IOP_SLCR [SDO_DLL_Ctrl](#) [DLL_PSDone] reads = 1

The maximum number of tap delays in DLL mode (phases of the clock) is 180, but the useful number of tap delays is reduced as the clock frequency goes up.

Note: In auto-tune mode, the tuning logic might wait for the [IntClkStable] bit each time before issuing the read tuning command to the SD card.

Manual DLL Programming Sequence

Program the DLL by writing to these registers in the [SD_EMMC](#) register module.

1. Disable SD clock by writing 0 to the [CLK_CTRL](#) [SDClkEn, 2] bit.
2. Select the TX tap by writing to the [OTAP_DLY](#) [sel] bit field.
3. Program new input tap value using the [ITAP_DLY](#) register.
 - a. Disable clock output. Write 1 to the [change_window] bit.
 - b. Write new input tap value. Write 1 to [dly_en] and tap value to [sel].
 - c. Enable clock output. Write 0 to the [change_window] bit.
4. Wait for the SD clock to stabilize. Read [CLK_CTRL](#) [IntClkStable] bit until it is = 1.
5. Enable the SD clock. Write 1 to [SDClkEn].

DLL Presets

Software can use the DLL presets to automatically switch the DLL output frequency. There are three DLL presets. They are programmed using the [SDx_DLL_DIV_MAP0](#) register. Software programs the [SD_DLL_REF_CLK](#) output frequency to 1200 MHz.

Table 254: SD DLL Div Map Register Examples

I/O Frequency	Preset	DIV_MAP register		Divide By
		Field	Value	
200 MHz	0	[DIV_0]	0Ch	6
	1	[DIV_1]	18h	12
	2	[DIV_2]	30h	24
100 MHz	0	[DIV_0]	18h	12
	1	[DIV_1]	30h	24
50 MHz	0	[DIV_0]	30h	24
30 MHz	0	[DIV_0]	50h	40

DLL Programming Example

The example clock divider and tap settings assume the following:

- SD_x_REF_CLK is set to 200 MHz
- SD_DLL_REF_CLK is set to 1200 MHz

Clock Divider

When the DLL is used, the reference frequency must be set to 1200 MHz. The clock divider is programmed using two fields in the SD_eMMC [CLK_CTRL](#) register.

- [SDClkFreqDiv_L]
- [SDClkFreqDiv_U]

TX DLL Tap Setting

The TX DLL tap settings depend on the controller mode, but are independent of the controller and the MIO path. The TX DLL tap is selected using the SD_eMMC [OTAP_DLY](#) [sel] bit field.

RX DLL Tap Setting Example

The RX DLL tap settings depend on the controller mode, the controller number, the MIO path, and board layout. The RX DLL tap is selected using the SD_eMMC [ITAP_DLY](#) [sel] bit field.

The following table shows example settings for manual tuning.

Table 255: SD/eMMC DLL Setting Example

Controller Mode	Clk_Divider	Frequency	RX DLL Tap Setting				TX DLL Tap Setting
			SD/eMMC 0		SD/eMMC 1		All Options
			MIO Bank 0	MIO Bank 1	MIO Bank 0	MIO Bank 1	
SD 50	12	100 MHz	14h	13h	13h	14h	03h
SD DDR	24	50 MHz	14h	14h	14h	14h	03h
SD HSD	24	50 MHz	17h	17h	17h	17h	04h
eMMC DDR	24	50 MHz	14h	14h	14h	14h	05h
eMMC HSD	24	50 MHz	17h	17h	17h	17h	05h

RX Tap Programming Note

To avoid clock glitches from propagating to the external device, shut off the clock while programming the RX tap unit. Use the SD_eMMC [ITAP_DLY](#) [change_window] bit to gate the clock:

- Turn off the clock and set [change_window] bit = 1
- Program the RX tap value
- Turn on the clock and set [change_window] bit = 0

SD Commands

The registers to generate SD commands are listed in the following table.

Table 256: SD Commands

Register	SDMA Command	ADMA Command	CPU Data Transfer	Non DAT Transfer
SDMA system address, argument 2	Yes/No	No/Auto CMD23	No/Auto CMD23	No/No
Block size	Yes	Yes	Yes	No (protected)
Block count	Yes	Yes	Yes	No (protected)
Argument 2	Yes	Yes	Yes	No (protected)
Transfer mode	Yes	Yes	Yes	No (protected)
Command	Yes	Yes	Yes	Yes

The table shows register settings for three transactions: SDMA generated transactions, ADMA generated transactions, and CPU data transfers and non-DAT transfers. When initiating transactions, the host driver programs these registers sequentially from 000h to 00Fh. The beginning register offset is calculated based on the type of transaction. The last written offset is always 00Fh because writing to the upper byte of the command register triggers the issuance of the SD command.

The command number is selected using command [cmdindex].

Table 257: SD Controller Commands

Command	Description	Response	Related Registers
CMD17	Single block read		blocksize [xfer_blocksize]
CMD18	Multi-block read		
CMD24	Single block write		
CMD25	Multi-block write		
CMD38			
CMD52			command_datapresent
CMD53	I/O read/write extended		
CMD55			
Auto CMD6			
Auto CMD12			xfermode_autocmdena [errorintrsts_autocmderror]
Auto CMD23			sdmasysaddrlo [sdma_sysaddress] xfermode_autocmdena [errorintrsts_autocmderror]
Auto CMD41			
Auto CMD42			
Auto CMD51			

SD Command Response Registers

The SD command response includes a 2-bit response type field and a 128-bit command response field.

Response Types

The response types are listed in the following table.

Table 258: SD Command Response Types

Response Type	Index Check Enable	CRC Check Enable	Name of Response
00	0	0	No response
01	0	1	R2
10	0	0	R3 and R4
	1	1	R1, R5, R6, and R7
11	1	1	R1b, R5b

Response Field Usages

The response bits are a concatenation of several registers. The response bit definitions are listed in the following table.

Table 259: SD Command Response Bit Definitions

Response Name	Description	Response Field	Registers	
			32-bit Name	16-bit Name ¹
R1 (normal) R1b (normal)	Card status	[39:8]	CMD_Resp0	Cmd_Response0 Cmd_Response1
R1b (Auto CMD12)	Card status		CMD_Resp3	Cmd_Response6 Cmd_Response7
R1 (Auto CMD23)	Card status			
R2	CID or CSD	[127:8]	CMD_Resp0 CMD_Resp1 CMD_Resp2 CMD_Resp3	Cmd_Response0 Cmd_Response1 Cmd_Response2 Cmd_Response3 Cmd_Response4 Cmd_Response5 Cmd_Response6 Cmd_Response7
R3	OCR for memory	[39:8]	CMD_Resp0	Cmd_Response0 Cmd_Response1
R4	OCR for I/O, etc.			
R5, R5b	SDIO response			
R6	Publish new RCA [31:16], etc.			

Notes:

1. The register reference manual defines eight 16-bit response registers. The standalone software defines four 32-bit registers.

Register-driven DMA Mode

In SDMA mode, the controller provides a simple programming model that is controlled by registers in the `SD_EMMC` register module. The controller interacts with these registers to control the SDMA engine to transfer data from the flash memory to system memory.

The DMA controller interfaces to the PMC IOP switch with an AXI interface. The DMA controller reads and writes data to the block buffer. The RX and TX interfaces access the block buffer to transmit and receive data blocks on the SD I/O interface.

SDMA mode provides a programmed I/O (PIO) interface to software. The SDMA maintains the block transfer counts for the PIO operations.

The DMA memory transactions can be routed through the FPD CCI for cache coherency with the APU L2 cache or a non-coherent path including a NoC port to access system memory or AXI routing to the OCM memory. Software selects the AXI transaction route using a `PMC_IOP_SLCR` register to program the DMA transaction route for the DMA transfer.

Descriptor-driven DMA Mode

In ADMA mode, the controller uses a descriptor-based architecture with scatter-gather capabilities. Software creates descriptor tables in system memory that are processed in the DMA unit in ADMA mode.

Software Routines

- SD configuration
- SD clock frequency change
- SD card initialize
- SD CMD transfer
- SD set block size
- Setup ADMA descriptor table
- SD read polled
- SD write polled
- SD select card

- eMMC card initialize
- SD get bus width
- SD change bus width
- SD change bus speed
- SD change clock frequency
- SD send pull-up command
- Get eMMC EXT CSD
- Resetting the DLL
- Manual tuning

Register Reference

The register set implements the SD host controller specification (version 3.00). The host controller register set also implements the data port registers for the programmed I/O (PIO) mode transfers.

The register set provides the control signals to the rest of the controller, monitors the status signals to set the interrupt status bits, and eventually generates interrupt signal.

The registers are programmed by the software through the AXI slave interface. Interrupt status and control registers detect events and monitor system state to generate system interrupts. Each controller can generate a wake-up interrupt or an OR of several interrupts in the interrupt status register.

The SD/eMMC controller registers are in the SDIO register sets:

- SD0 base address is 0xF104_0000
- SD1 base address is 0xF105_0000

The DLL, timing, and system-related configuration registers are in the PMC_IOP_SLCR set:

- Base address is 0xF106_0000

These registers are accessed with single 32-bit read/write transactions to the APB programming interface. The registers are summarized in the SD/eMMC controller register overview and SD/eMMC PMC_SLCR register overview tables in the following sections.

System-Related Registers

The registers in this section are associated with the system. This includes the DMA AXI interface and various clock and reset signals. All registers are 32 bits wide.

The resets and reference clock register controls are in the CRP register set that is located at base address 0xF126_0000.

Note: The interrupts are included in the [Interrupt and Status Registers](#) section.

Table 260: SD_eMMC System Signal Registers

Register Name		Access Type	Description
SD_eMMC 0	SD_eMMC 1		
Reference Clock Controls in the CRP register module			
SD0_REF_CTRL	SD1_REF_CTRL	RW	SD_eMMC reference clock for DIV_CLK module.
SDIO_DLL_REF_CTRL		RW	Program DLL reference clock frequency for both SD DLL modules. Write protected.
RST_SDIO0	RST_SDIO1	RW	Controller is also reset when the PMC is reset. Device-level resets are included in the Resets Overview section.
MIO_PIN_0 (pins 0 to 51)		RW	I/O interface routing through the MIO multiplexer and pins, see Multiplexed I/O Signals and Pins .
DMA Transaction Controls for Interconnect in the PMC_IOP_SLCR register module			
SD0_Coherent SD0_Route SD0_QoS	SD1_Coherent SD1_Route SD1_QoS	RW	AXI master transaction: coherency, route to CCI, and QoS.

Control and Status Registers

The following table lists the control and status registers.

Note: These registers are defined with multiple data widths. However, all registers are accessed as 32-bit read/write transfers with addresses aligned on a 32-bit address boundary.

Table 261: SD_eMMC Control and Status Registers

Register Name	Width	Address Offset	Access Type	Description
Configuration and Control				
PRESENT_STATE	32	0x024	R	Current status of signals and states
HOST_CTRL1	8	0x028	RW	Program DMA modes, LED control, data transfer width, high-speed enable, card detect test level, and signal selection
HOST_CTRL2	16	0x03E	RW	Program UHS select mode, driver strength, execute tuning, sampling clock select, asynchronous interrupt enable, and preset value enable

Table 261: SD_eMMC Control and Status Registers (cont'd)

Register Name	Width	Address Offset	Access Type	Description
POWER_CTRL	8	0x029	RW	Program SD bus power and voltage level
BLOCK_GAP_CTRL	8	0x02A	RW, WTC	Program block gap request, read wait control, and interrupt at block gap
WAKE_UP_CTRL	8	0x02B	RW	Program wake-up functionality
TIMEOUT_CTRL	8	0x02E	RW	Data timeout counter value
Controller Reset				
SW_RST	8	0x02F	Clear on write	Program software reset for data, command, and for all
Controller Version and Capabilities				
CAPS	64	0x040	R	SD and eMMC controller implementation definitions
VERSION	16	0x05E	R	Controller version
Boot Timeout Counter				
BOOT_TIMEOUT_CNT	16	0x070	RW	Program the boot timeout value counter

I/O Interface Control Registers

The I/O interface controls are located in the [SD_EMMC](#) and [PMC_IOP_SLCR](#) register modules. The majority of these registers are for configuring the SDx_CLK output to the flash memory device.

Note: The system reference clocks that drive the DIV_CLK and DLL modules are listed in the table in the [System-Related Registers](#) section.

SD_eMMC Register Module

The following I/O interface control registers are included in the SD_EMMC register module.

Note: These registers are defined with 16-bit data widths. However, all registers are accessed as 32-bit read/write transfers with addresses aligned on a 32-bit boundary.

Table 262: SD_eMMC I/O Interface Control Registers in the SD_eMMC Register Module

Register Name	Width	Address Offset	Access Type	Description
SD_CLK Control and Status				
CLK_CTRL	16	0x02C	Mixed	Clock frequency control and state
Read Preset Values				
PRE_VAL_0 PRE_VAL_1 PRE_VAL_2	16	0x060 0x062 0x064	R	Read the preset values for SD_CLK frequency, clock generator, and driver strength select value.

PMC_IOP_SLCR Register Module

The I/O clocks are sourced from either the DIV_CLK or DLL clock modules.

SD_eMMC are further configured by several registers in the [PMC_IOP_SLCR](#) register set. All registers listed in the following table are defined as 32 bits.

Table 263: SD_eMMC I/O Interface Control Registers in the PMC IOP SLCR Register Module

Register Name		Access Type	Description
SD_eMMC Controller 0	SD_eMMC Controller 1		
Clock and Control			
SD0_Clk_Ctrl	SD1_Clk_Ctrl	RW	SD feedback clock routing
SD0_Ctrl	SD1_Ctrl	RW	Controller mode: SD or eMMC
SD0_Cfg_Reg1 SD0_Cfg_Reg2 SD0_Cfg_Reg3	SD1_Cfg_Reg1 SD1_Cfg_Reg2 SD1_Cfg_Reg3	RW	Configuration registers
Presets			
SD0_Init_Preset SD0_DSP_Preset SD0_HSPD_Preset SD0_SDR12_Preset SD0_SDR25_Preset SD0_SDR50_Preset SD0_SDR104_Preset SD0_DDR50_Preset	SD1_Init_Preset SD1_DSP_Preset SD1_HSPD_Preset SD1_SDR12_Preset SD1_SDR25_Preset SD1_SDR50_Preset SD1_SDR104_Preset SD1_DDR50_Preset	RW	Initialization for SD: Init preset Default speed High speed SDR12 SDR25 SDR50 SDR104 DDR50
Miscellaneous Registers			
SD0_DLL_Ctrl	SD1_DLL_Ctrl	Mixed	SD DLL status
SD0_Rx_Tuning_Sel	SD1_Rx_Tuning_Sel	R	DLL RX clocking
SD0_DLL_DivMap	SD1_DLL_DivMap	RW	DLL divider mapping
SD0_CD_Ctrl	SD1_CD_Ctrl	RW	SD card detect
SD0_MaxCurr_1p8 SD0_MaxCurr_3p0 SD0_MaxCurr_3p3	SD1_MaxCurr_1p8 SD1_MaxCurr_3p0 SD1_MaxCurr_3p3	RW	Maximum current: 1.8, 3.0, and 3.3V

Command, DMA, and Data Registers

The following table lists the SD_eMMC controller registers for the system DMA unit and command controls.

Note: These registers are defined with multiple data widths. However, all registers are accessed as 32-bit read/write transfers with addresses aligned on a 32-bit boundary.

Table 264: SD_eMMC Command, DMA, and Data Registers

Register Name	Width	Address Offset	Type	Description
Register-based DMA				
SDMA_ADDR_L SDMA_ADDR_H	16 16	0x000 0x002	RW	Dual-use, bits [15:0] for system DMA address or auto CMD23 argument 2 Dual-use, bits [31:16] for system DMA address or auto CMD23 argument 2
BLK_SIZE	16	0x004	RW	Configure the number of bytes in a data block
BLOCK_COUNT	16	0x006	RW	Data block size and DMA/CRC enable
DATA_PORT	32	0x020	RW	Read/write the block buffer
Command Registers				
ARGUMENT1_L ARGUMENT1_U	16 16	0x008 0x00A	RW	Lower bits [15:0] of CMD argument Higher bits of SD command argument
TRANSFER_MODE	16	0x00C	RW	Control the operations of data transfers
CMD	16	0x00E	RW	Controller commands
AUTO_CMD12_ERR_STS	16	0x03C	R	Indicate CMD12 response error of auto CMD12 and CMD23 response error of auto CMD 23
Responses				
RESP0_L RESP0_U (0 to 3 response pairs)	16 16	0x010+ 0x012+	R	SD command responses 0, 1, 2, and 3
Force Event				
FE_AUTO_CMD12_EIS FE_ERR_INTR_STS	16 16	0x050 0x052	W R, W	Port to write to the auto CMD Error Status register Port to write to the Error Status register
Descriptor DMA				
ADMA_ERR_STS	8	0x054	R	When the ADMA error interrupt occurs, this register holds the ADMA state in the ADMA error states field and the ADMA system address holds the address around the error descriptor
ADMA_ADDR_0 ADMA_ADDR_1 ADMA_ADDR_2 ADMA_ADDR_48	16	0x058 0x05A 0x05C 0x05E	RW	ADMA system address [15:2], word aligned ADMA system address [31:16] ADMA system address [47:32] ADMA system address [48], transaction context

Interrupt and Status Registers

The following table lists the interrupt and status registers for the SD_eMMC controller.

Note: These registers are defined with multiple data widths. However, all registers are accessed as 32-bit read/write transfers with addresses aligned on a 32-bit address boundary.

Table 265: SD_eMMC Interrupt and Status Registers

Register Name	Width		Access Type	Description
Slot Interrupts				
SLOT_INTR_STS	16	0x024	R	Read the interrupt signal for each slot
Normal and Error Interrupts				
NORM_INTR_STS NORM_INTR_EN NORM_INTR_SIG_EN	16	0x030 0x034 0x038	WTC, R RW, R RW, R	Normal interrupt status Normal interrupt status enable Normal interrupt status signal output enable
ERR_INTR_STS ERR_INTR_EN ERR_INTR_SIG_EN	16	0x032 0x036 0x03A	WTC RW RW, R	Error interrupt status Error interrupt status enable Error interrupt status signal output enable

I/O Signals

SD I/O Signals

The SD controller I/O interfaces are routed to the PMC MIO pins and the EMIO. They are not available on the LPD MIO pins. When the EMIO interface is used, the LPD must be powered up.

The I/O signals are summarized in the following table and shown in [MIO-at-a-Glance](#). The I/O group options must be assigned together. The free options can be assigned to either pin option.

Table 266: SD Controller MIO Signals

MIO								EMIO		
Signal Name			I/O	PMC MIO Pin				MIO-at-a-Glance Table	Signal Name	I/O
				SD 0		SD 1				
SD 2.0	SD 3.0	eMMC		A	B	C	D			
A, B, C, D Group Options:										
SD0_CLK SD1_CLK	eMMC0_CLK eMMC1_CLK		O	18	38	0	26	2		
SD0_CMD SD1_CMD	eMMC0_CMD eMMC1_CMD		I/O	23	40	3	29	3		
SD0_DATA[0] SD1_DATA[0]	eMMC0_DATA[0] eMMC1_DATA[0]		I/O	13	41	4	30	4		
SD0_DATA[1] SD1_DATA[1]	eMMC0_DATA[1] eMMC1_DATA[1]		I/O	14	42	5	31	5		

Table 266: SD Controller MIO Signals (cont'd)

MIO									EMIO	
Signal Name			I/O	PMC MIO Pin				MIO-at-a-Glance Table	Signal Name	I/O
				SD 0		SD 1				
SD 2.0	SD 3.0	eMMC		A	B	C	D			
SD0_DATA[2] SD1_DATA[2]		eMMC0_DATA[2] eMMC1_DATA[2]	I/O	15	43	6	32	6		
SD0_DATA[3] SD1_DATA[3]		eMMC0_DATA[3] eMMC1_DATA[3]	I/O	16	44	7	33	7		
~	SD0_SEL SD1_SEL	eMMC0_DATA[4] eMMC1_DATA[4]	I/O	19	45	8	34	8		
~	SD0_DIR_CMD SD1_DIR_CMD	eMMC0_DATA[5] eMMC1_DATA[5]	I/O	20	46	9	35	9		
~	SD0_DIR0 ¹ SD1_DIR0	eMMC0_DATA[6] eMMC1_DATA[6]	I/O	21	47	10	36	10		
~	SD0_DIR1 ¹ SD1_DIR1	eMMC0_DATA[7] eMMC1_DATA[7]	I/O	22	48	11	27	11		
Free Option Signals²										
SD0_DETECT ³ SD1_DETECT		~	I	24	39	2	28	1		
SD0_WP SD1_WP		~	I	25	37	1	50	0		
SD0_BUSPWR SD1_BUSPWR		eMMC0_RST eMMC1_RST	O	17	49	12	51	12		

Notes:

1. The DIR0 signal controls the direction of the DATA[0] signal and DIR1 signal controls the direction of the DATA[1:3] signals for the external voltage level shifters.
2. The free option signals are essentially DC and do not necessarily need to be in the same group as the I/O signals.
3. The SDx_DETECT signal is separate from the traditional SDx_DATA[3] signal.

Signaling Protocol

Default Speed Clock Edge

In the case of a default speed (DS) mode, the outputs are driven on the negative edge of the SD_CLK.

Clocks, Resets, and Power

This section includes these chapters:

- [Clocks](#)
- [Clock Monitor](#)
- [Resets](#)
- [Power](#)

Clocks

There are many clocks in the Versal® ACAP for clocking logic and I/O. This chapter describes the clocks that are mainly used by the PMC and PS. Other clocks are described in other documents.

Reference Clock

Most devices require a single REF_CLK. Several stacked silicon integrated (SSI) technology devices require two reference clocks, REF0_CLK and REF1_CLK. For additional information, see the *Versal ACAP PCB Design User Guide (UG863)*.

PMC and PS Clocks

The clocks associated with the PMC and PS are described in the following sections:

- The [Clock Distribution Diagram](#) shows the major internal clocks for the PMC and PS (LPD and FPD)
- Three [PMC Source Clocks](#) originate in the PMC:
 - REF_CLK (reference clock input device pin)
 - PMC_IRO_CLK (PMC internal ring oscillator)
 - RTC (real-time clock)
- Five programmable [PLL Clock Generators](#): two in PMC, one in LPD, FPD, and CPM
- Dozens of programmable [Reference Clock Frequency Dividers](#) are used to generate clocks for various blocks in the system

CPM Clocks

The clocks for the CPM are described in the *Versal ACAP CPM CCIX Architecture Manual (AM016)*.

NoC, AI Engine, and DDR Memory Controller Clocks

The PMC includes four programmable clock dividers with outputs routed to the PL for general purpose usage. The PMC also includes programmable clock divider outputs for the NoC, AI Engine, and DDR memory controllers.

PL Clocks

The PL includes its own clock arrays that are programmed when blocks are instantiated. The PL also includes programmable clock modules can be driven by clocks from input pins and other sources.

I/O Transceiver Clocks

There are local PLLs in the XPIO banks (for the PL, XPHY, and DDRMC) and the gigabit transceivers (GT). These high-speed I/Os use PLL clocks for precision I/O timing. These I/O buffers and transceivers are introduced in the [Device I/O Connectivity](#) chapter of the [Section II: Hardware Architecture](#) section. The I/O transceiver clocks are described in their associated documents:

- GTY and GTYP transceiver PLLs: *Versal ACAP GTY and GTYP Transceivers Architecture Manual (AM002)*
- XPIO bank XPLLs: *Versal ACAP SelectIO Resources Architecture Manual (AM010)*

Clock Register Modules

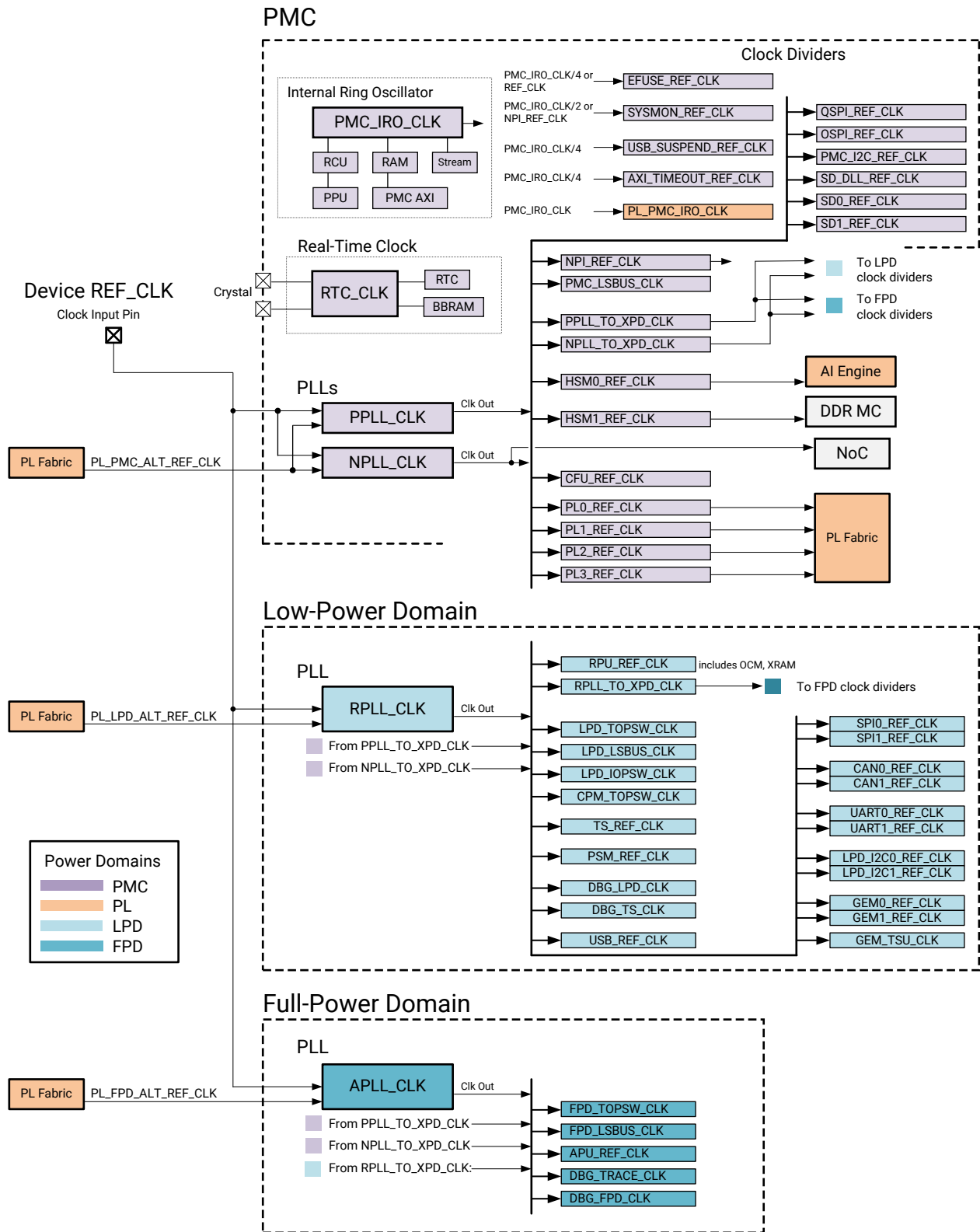
The individual clock controls are managed by the PLM firmware. The PLM writes to the clock and reset register modules.

- [CRP](#): device-level and individual PMC block clock control registers
- [CRL](#): subsystem and individual LPD block clock control registers
- [CRF](#): subsystem and individual FPD block clock control registers
- [CPM_x_CRX](#): individual CPM block clock control registers

Clock Distribution Diagram

The PLL and reference clocks are shown in the following figure.

Figure 120: PMC and PS Clock Distribution Diagram



X23003-060821

Cross-Domain Clock Routing Consideration

When using clocks from another power domain, consider power management software that can turn off a power domain.

Note: In the Vivado CIPS wizard, the auto-select mode restricts some clocks from being routed across a power domain. For example, the LPD and FPD divider clock outputs are not routed to the PMC power domain because power management software might turn off the FPD or both the LPD and FPD.

The power states are described in [Power](#).

Clock Frequency Considerations

The clock frequency considerations are included in the following sections:

- [I/O Peripheral Clock Frequency Requirements](#)
- [Flash Memory Controller Clock Frequency Requirements](#)
- [Interconnect Clock Frequency Requirements](#)

An example of the minimum and maximum clock frequencies are listed in the *Versal AI Core Series Data Sheet: DC and AC Switching Characteristics (DS957)*. The specification depends on the device and the speed grade. The data sheet lists the timing and frequency specifications for I/O signals.

I/O Peripheral Clock Frequency Requirements

The following table lists the I/O peripheral clock frequency requirements and links to the clock section of the various controller chapters.

Table 267: I/O Peripheral Clock Frequency Requirements

Peripheral and Mode	Description
CAN FD see CAN FD Clocks	
All Modes	CAN_REF_CLK frequency must be less than the LPD_LSBUS_CLK Set to 160 MHz ±0.25% to satisfy the CAN FD spec
GEM Ethernet , see GEM Clocks	
GEM_TX	Set to 125 MHz ±100ppm. This is governed by the 802.3 Ethernet specification and might limit the maximum operational frequency of the PLL selected.
SPI Controller , see SPI Clocks section	
Master Mode	$SPIx_REF_CLK \geq 4 * LPD_LSBUS_CLK$
Slave Mode	$SPIx_REF_CLK \geq 2 * LPD_LSBUS_CLK$
UART Controller , see UART Clocks section	

Table 267: I/O Peripheral Clock Frequency Requirements (cont'd)

Peripheral and Mode	Description
UART_REF_CLK	There is a restricting shown in the Baud Rate Divider section.

Flash Memory Controller Clock Frequency Requirements

The flash memory controller clock frequency requirements are listed in the following table.

Table 268: Flash Memory Controller Clock Frequency Requirements

Controller and Mode	Description
Quad-SPI Controller , see the QSPI Clocks section	
Dual parallel, non-manual mode	$PMC_IRO_CLK > 3/7 * QSPI_REF_CLK$
Single quad, non-manual mode	$PMC_IRO_CLK > 3/15 * QSPI_REF_CLK$
Dual quad, non-manual mode	$PMC_IRO_CLK > 3/31 * QSPI_REF_CLK$
Manual mode, CPOL=1 and CPHA=1	$QSPI_REF_CLK \geq PMC_LSBUS_CLK$
All modes with QSPIx_CLK frequency > 37.5 MHz	$QSPI_REF_CLK > 2 * QSPIx_CLK$
Octal-SPI Controller , see the OSPI Clocks section	
DLL mode	$OSPI_CLK = OSPI_REF_CLK$
Non-DLL mode	$OSPI_CLK \leq OSPI_REF_CLK / 4$
SD_eMMC Controller , see the SD Clocks section	
DLL mode	$SD_DLL_REF_CLK \geq 6 * SDx_REF_CLK$ Note: This requires setting the DLL divider to 6 (reset value) or greater. Source these clocks from the same PLL: SD_DLL_REF_CLK, SD0_REF_CLK and SD1_REF_CLK

Interconnect Clock Frequency Requirements

The interconnect includes low-speed APB, top switch AXI, and the NPI.

- Low-speed bus clock for APB in PMC and PS programming interfaces
- Top-switch clocks for AXI interconnect
- NPI clock for memory mapped registers in NoC, DDRMC, AI Engine, and other integrated hardware

Low-speed Bus Clocks

The low-speed bus (LSBUS) clocks drive the APB programming interfaces.

Top Switch Interconnect Switch Clocks

The LPD_TOPSW_CLK clock frequency must always be set higher than the LPD_LSBUS_CLK clock frequency.



RECOMMENDED: Xilinx recommends that the LPD_TOPSW_CLK clock frequency is at least 1.5 times faster than the LPD_LSBUS_CLK.

The FPD_TOPSW_CLK clock frequency must always be set higher than the FPD_LSBUS_CLK clock frequency. This clock is used on the FPD main switch and the auxiliary FPD switch for AXI port interfaces.



RECOMMENDED: Xilinx recommends that the FPD_TOPSW_CLK clock frequency is at least 1.5 times faster than the FPD_LSBUS_CLK.

NPI Reference Clock

The NPI_REF_CLK is used to clock several blocks.

- NPI programming interfaces to the NPI register modules
- GTs in the PL

Because the NPI_REF_CLK is used by the GTs in the PL, its frequency must be set accurately to 300 MHz.

Note: The NPI_REF_CLK specification is in the *Versal AI Core Series Data Sheet: DC and AC Switching Characteristics* (DS957).

PMC Source Clocks

The PMC has three source clocks:

- REF_CLK device pin input
- PMC_IRO_CLK, an internal ring oscillator (IRO) (aka SysOsc)
- Real-time clock (RTC) driven by an external crystal

REF_CLK Device Pin input

The REF_CLK is typically driven by a 33 MHz external LVCMOS clock signal and is used to drive the five PLL clock generators in the PMC, LPD, FPD, and CPM.

PMC_IRO_CLK Oscillator

The PMC_IRO_CLK is internal to the device and is generated by a self-starting internal ring oscillator (IRO). This clock is used within the PMC for the RCU and PPU processors, their AXI interconnect, and the security module. The IRO frequency is trimmed to the specification defined in the Versal ACAP data sheets listed in [References](#).

Crystal-driven RTC

The RTC is driven by an external 32.768 kHz crystal. The clock is consumed within the RTC time keeper. The RTC provides a calibrated time reference based on the attached clock crystal. The clock can be calibrated for greater accuracy. When the device is powered down, the RTC is operated by the battery. The RTC is described in [Real-Time Clock](#).

Summary of Primary Clock Sources and Their Destinations

The primary clock sources are listed in the table.

Table 269: Primary Clock Sources and Usages

Clock Name	Usages
REF_CLK device pin	PLL clock generators in PMC, LPD, FPD, and CPM
PMC_IRO_CLK oscillator	PMC-only: processors, interconnect, and security module
RTC_CLK crystal	RTC and battery-backed RAM within the PMC

PLL Clock Generators

The PMC, PS, and CPM PLLs all have similar functionality and programming models.

The five PLLs are:

- PMC:
 - PMC PLL (PPLL)
 - NoC PLL (NPLL)
- PS:
 - LPD PLL (RPLL)
 - FPD PLL (APLL)
- CPM PLL (CPLL)

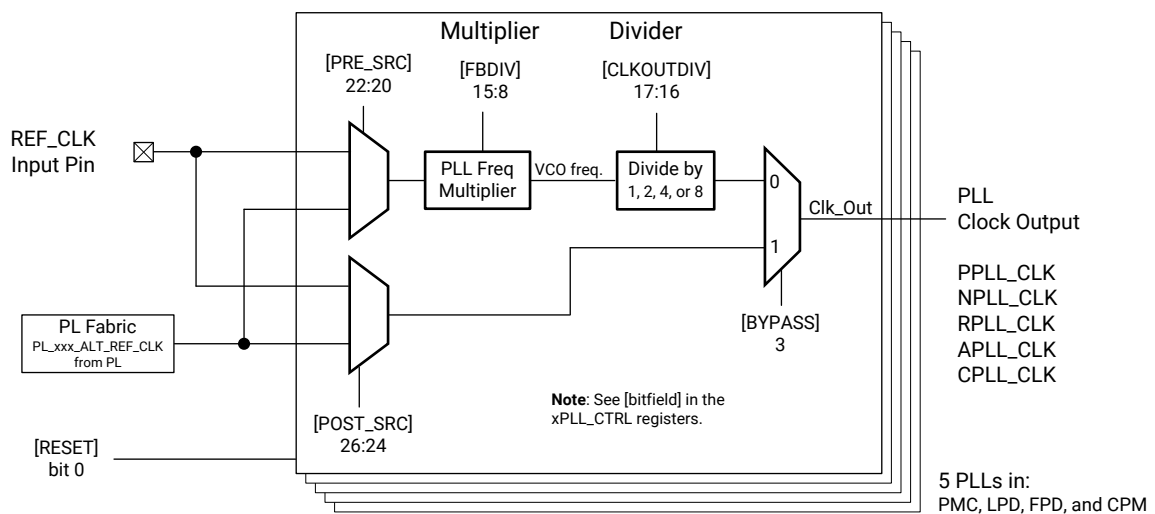
Features

The PLLs have similar features and programming models as previous product generations.

Block Diagram

The architecture of the PLL clock generator is shown in the following figure. There are multiple generators in the system. The control register bit fields are shown below. The control registers are listed in [PLL Clock Generator Registers](#) section. The bit fields are shown in the figure.

Figure 121: PLL Clock Generator



X23005-101421

Reference Clock Frequency Dividers

There are many clock frequency dividers in the PMC, LPD, FPD, and CPM that provide a reference clock for each block or group of blocks. See the [Clock Distribution Diagram](#) for an overview.

The PMC, PS, and CPM clock dividers all have similar programming models. The clock control registers select the PLL source clock, define the 10-bit divider value, and enable the divider clock output. The clock divider register sets include:

- [CRP](#) register module for PMC clocks
- [CRL](#) register module for LPD clocks
- [CRF](#) register module for FPD clocks
- [CPM4_CRX](#) register module for CPM4 clocks

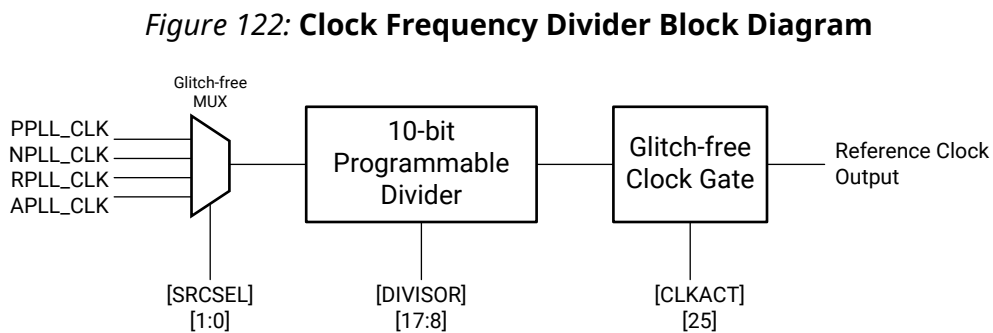
Features

The reference clock generators have a multiplexer to select the source clock, a 10-bit divider, and a glitch-free output enable.

Block Diagram

All clock frequency dividers have the same functionality and programming model. The basic design is shown in the following figure.

Note: The PLL source clock choices shown are not always available.



Registers

PLL clock generators:

- [PLL Clock Generator Registers](#)

Clock dividers:

- [PMC Reference Clocks](#)
- [LPD Reference Clocks](#)
- [FPD Reference Clocks](#)

PLL Clock Generator Registers

The PLL clock generator registers are included in four sets of registers: PMC, LPD, FPD, and CPM. The controller names and register sets are listed in the following table.

Table 270: PLL Clock Generator Control Registers

PLL Clock Output Name	Power Domain	Registers			PLL Clock Input Options
		Control Register	Configuration Register	PLL Status Fields	
		Fields: [RESET], [BYPASS], [FBDIV], [CLKOUTDIV], [PRE_SRC], [POST_SRC]	Fields: [RES], [CP], [LFHF], [LOCK_CNT], [LOCK_DLY]	Fields: [xPLL_LOCK], [xPLL_STABLE]	
PPLL_CLK	PMC	PMCPLL_CTRL	PMCPLL_CFG	PLL_STATUS	REF_CLK PL_PMC_ALT_REF_CLK
NPLL_CLK		NOCPLL_CTRL	NOCPLL_CFG		
RPLL_CLK	LPD	RPLL_CTRL	RPLL_CFG	PLL_STATUS	REF_CLK PL_LPD_ALT_REF_CLK
APLL_CLK	FPD	APLL_CTRL	APLL_CFG	APLL_STATUS	REF_CLK PL_FPD_ALT_REF_CLK
CPLL_CLK	PL	CPLL_CTRL	CPLL_CFG	CPLL_STATUS	REF_CLK

PMC Reference Clocks

The control registers are used to select an input from a PLL clock generator, or other source, and divide down its frequency. The PMC reference clocks are listed in the following tables. All control registers are in the CRP register set.

Table 271: PMC IOP Reference Clock Registers

Reference Clock	Clocks		CRP Control Register
	Output Name	Divider Input Options	
PMC I2C controller	PMC_I2C_REF_CLK	PPLL_CLK, NPLL_CLK	I2C_REF_CTRL
QSPI controller	QSPI_REF_CLK		QSPI_REF_CTRL
OSPI controller	OSPI_REF_CLK		OSPI_REF_CTRL
SD delay-lock loop	SD_DLL_REF_CLK		SDIO_DLL_REF_CTRL CRP.SD_DLL_REF_CTRL
SD_eMMC 0 controller	SD0_REF_CLK		SD0_REF_CTRL
SD_eMMC 1 controller	SD1_REF_CLK		SD1_REF_CTRL
USB 2.0 controller located in the LPD	USB_SUSPEND_CLK	PMC_IRO_CLK/4	USB_SUSPEND_CTRL

Table 272: PMC System Reference Clock Registers

Reference Clock	Clocks		Control Register
	Output Name	Divider Input Options	
High-speed clock for the AI Engine and DDR memory controllers ¹	HSM0_REF_CLK	PPLL_CLK, NPLL_CLK	HSM0_REF_CTRL
	HSM1_REF_CLK		HSM1_REF_CTRL
General purpose reference clock routed to the PL fabric	PL0_REF_CLK		PMC_PL0_REF_CTRL
	PL1_REF_CLK		PMC_PL1_REF_CTRL
	PL2_REF_CLK		PMC_PL2_REF_CTRL
	PL3_REF_CLK		PMC_PL3_REF_CTRL

Table 272: PMC System Reference Clock Registers (cont'd)

Reference Clock	Clocks		Control Register
	Output Name	Divider Input Options	
Divided-down PPLL_CLK routed the clock controllers in the LPD and FPD power domains	PPLL_TO_XPD_CLK	PPLL_CLK	PPLL_TO_XPD_CTRL
Divided-down NPLL_CLK routed the clock controllers in the LPD and FPD power domains	NPLL_TO_XPD_CLK	NPLL_CLK	NPLL_TO_XPD_CTRL

Notes:

1. The design tools assign the HSM0_REF_CLK to the AI Engine and HSM1_REF_CLK to the DDR memory controllers.

Table 273: PMC Miscellaneous Reference Clock Control Registers

Description	Clocks		Control Register
	Output Name	Divider Input Options	
APB programming interfaces	PMC_LSBUS_CLK	PPLL_CLK, NPLL_CLK	PMC_LSBUS_REF_CTRL
NPI programming interfaces	NPI_REF_CLK		NPI_REF_CTRL
Configuration frames unit	CFU_REF_CLK		CFU_REF_CTRL
AXI interconnect timeout block	AXI_TIMEOUT_CLK	PMC_IRO_CLK/4	SWITCH_TIMEOUT_CTRL
eFUSE controller	EFUSE_REF_CLK	PMC_IRO_CLK/4, REF_CLK	EFUSE_REF_CTRL
System Monitor (SYSMON)	SYSMON_REF_CLK	PMC_IRO_CLK/2, NPI_REF_CLK	SYSMON_REF_CTRL

LPD Reference Clocks

The LPD reference clocks are listed alphabetically in the following table.

Table 274: LPD IOP Reference Clock Registers

Description	Clocks		CRL Control Registers
	Output Name	Divider Input Options	
CAN 0 controller	CAN0_REF_CLK	RPLL_CLK, PPLL_TO_XPD_CLK, NPLL_TO_XPD_CLK	CAN0_REF_CTRL
CAN 1 controller	CAN1_REF_CLK		CAN1_REF_CTRL
GEM 0 controller	GEM0_REF_CLK		GEM0_REF_CTRL
GEM 1 controller	GEM1_REF_CLK		GEM1_REF_CTRL
GEM timestamp clock	GEM_TSU_CLK		GEM_TSU_REF_CTRL
LPD I2C 0 controller	LPD_I2C0_REF_CLK		I2C0_REF_CTRL
LPD I2C 1 controller	LPD_I2C1_REF_CLK		I2C1_REF_CTRL
SPI 0 controller	SPI0_REF_CLK		SPI0_REF_CTRL
SPI 1 controller	SPI1_REF_CLK		SPI1_REF_CTRL
UART 0 controller	UART0_REF_CLK		UART0_REF_CTRL
UART 1 controller	UART1_REF_CLK		UART1_REF_CTRL
USB 2.0 controller	USB_2_REF_CLK		USB_LPD_REF_CTRL

Table 275: LPD Miscellaneous Reference Clock Registers

Description	Clocks		Control Register
	Output Name	Divider Input Options	
System counter (SCNTR)	SCNTR_TS_CLK	RPLL_CLK PPLL_TO_XPD_CLK NPLL_TO_XPD_CLK	TIMESTAMP_REF_CTRL
CPM AXI interconnect	CPM_TOPSW_CLK		CPM_TOPSW_REF_CTRL
RPU: TCM, GIC, OCM, and Interconnect	CPU_R5F_CLK		RPU_OCM_XRAM_CTRL
LPD CoreSight™ components except the TSU. Includes: ROM, GPR, CTI, funnel	DBG_LPD_CLK	RPLL_CLK PPLL_TO_XPD_CLK NPLL_TO_XPD_CLK	DBG_LPD_CTRL
CoreSight timestamp generator	DBG_TS_CLK		DBG_TSTMP_CTRL
AXI/AHB interconnect switch	LPD_IOP_SW_CLK		LPD_IOPSW_CTRL
LPD APB programming interfaces	LPD_LSBUS_CLK		LPD_LSBUS_CTRL
LPD AXI main switch	LPD_TOPSW_CLK	RPLL_CLK PPLL_TO_XPD_CLK NPLL_TO_XPD_CLK	LPD_TOP_SWITCH_CTRL
PS manager processor	PSM_REF_CLK		PSM_REF_CTRL
Divided-down RPLL_CLK routed to the clock controllers in the FPD power domains	RPLL_TO_XPD_CLK	RPLL_CLK	RPLL_TO_XPD_CTRL

FPD Reference Clocks

FPD Clock Divider Control Registers

The FPD clock dividers are controlled by registers in the CRF register set. The FPD reference clock control registers are listed in the following table.

Table 276: FPD Reference Clock Control Registers

Description	Clocks		Control Register
	Output Name	Divider Input Options	
APU: CPUs, L2-cache, debug logic, controls CoreSight components: ELA500, funnel, ETF, CTI	APU_REF_CLK	APLL_CLK RPLL_TO_XPD_CLK PPLL_TO_XPD_CLK NPLL_TO_XPD_CLK	APU_CTRL
Trace port for CoreSight debug data flow	DBG_TRACE_CLK		DBG_TRACE_CTRL
FPD CoreSight debug components	DBG_FPD_CLK		DBG_FPD_CTRL
FPD APB programming interfaces	FPD_LSBUS_CLK		FPD_LSBUS_CTRL
FPD AXI main switch	FPD_TOPSW_CLK		FPD_TOPSW_CTRL

Clock Monitor

The clock monitor (ClkMon) includes eight independent channels to detect when a clock is out of its expected frequency range. The ClkMon does this by counting the number of clock cycles from the monitored clock that occur during a known base time period. A channel asserts an interrupt if the number of clock cycles detected during a base time period is more than the upper threshold count, or less than the lower threshold count. The ClkMon is located in the PMC.

The length of the base time period is programmed by selecting a reference clock and defining the number of clock periods to use. The base clock source is selectable, REF_CLK or PMC_IRO_CLK. The base time period is typically 100 to 10,000 clock cycles long, depending on the application and which clocks source is used. A longer base time period results in higher accuracy, but the monitoring time period is longer.

A channel monitors one of 16 clocks located in the PMC, LPD, or FPD, as listed in [Monitored Clocks](#). During the base time period, the ClkMon channel counts the clock cycles of the monitored clock. The channel can be started to capture the clocks in one time period or sample the clock over and over again. At the end of a time period, the monitored clock cycle count is compared with the upper and lower threshold registers. If the number of clock cycles is out of range, an interrupt is generated.

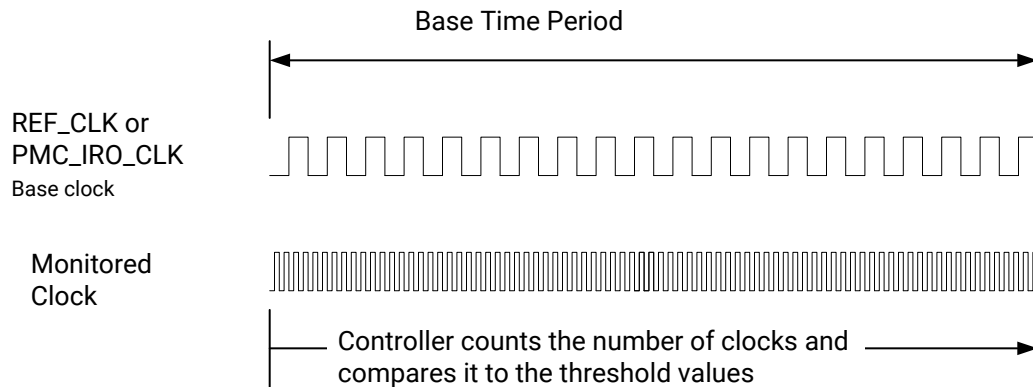
Base Time Period

The base time period is programmed by selecting the reference clock and the number of clock periods to include in the time base. The registers for channel 0 are:

- Select base clock: CLKMON0_CTRL [BASECLK_SEL]
- Program cycles per base time period: CLKMON0_BASE [CLK_CYCLES]

The REF_CLK is typically 33 MHz, but can be higher or lower. The PMC_IRO_CLK is typically 320 MHz but can be bumped to 400 MHz with faster speed grades. These are independent clocks. The frequency range for REF_CLK and the trimmed frequency of the PMC_IRO_CLK are listed in the DC/AC data sheet (see the Versal ACAP data sheets listed in [References](#).)

Figure 123: ClkMon Base Time Period



X24299-072920

Calculate Threshold Counts

The settings for the threshold N_{CLKMON_THRESH} registers depends on the following parameters:

- Frequency of the base clock, F_{BASE_CLK}
- Number of base clocks programmed for the base time period, $N_{BASE_CLK_CYCLES}$
- Frequency threshold of the monitored clock, F_{MON_CLK}

A threshold setting can be calculated using the following equation:

$$N_{CLKMON_THRESH} = N_{BASE_CLK_CYCLES} \times \frac{F_{MON_CLK}}{F_{BASE_CLK}}$$

Example

In this example, the following is assumed:

- REF_CLK is used with a 33 MHz clock frequency
- CLKMON0_BASE [CLK_CYCLES] is set = 10000
- Desired lower threshold frequency for the APU clock is 1000 MHz

Because the APU clock is divided by 4 before being presented to the ClkMon channel (see table in [Monitored Clocks](#)), the F_{MON_CLK} is actually 250 MHz.

From the equation, the clock threshold is 1_27EDh (75,757d). Bound the accuracy using ClkMon 0 by programming the [CLKMON0_THRESH_L](#) and [CRP.CLKMON0_THRESH_H](#) registers.

The sampling time is approximately 303 ms.

Monitored Clocks

A monitored clock is selected by the CRP.CHKR0_CTRL [MONCLK_SEL] bit field. The ClkMon monitored clocks are listed in the following table.

Table 277: ClkMon Monitored Clocks

[MONCLK_SEL]	Clock Source	Notes
LPD Clocks		
0000	RPU_REF_CLK	
0001	LPD_TOPSW_CLK	
0010	LPD_LSBUS_CLK	
0011	LPD_SWDT_CORE_CLK	After ref clock source multiplexer
0100	LPD_DMA_CORE_CLK	After ref clock source multiplexer
0101	PSM_REF_CLK	
FPD Clocks		
0110	APU0_CORE_CLK	At the core (divided by 4)
0111	APU1_CORE_CLK	At the core (divided by 4)
1000	FPD_TOPSW_CLK	
1001	FPD_LSBUS_CLK	
1010	FPD_SWDT_CORE_CLK	After ref clock source multiplexer
PMC Clocks		
1011	PMC_IRO_CLK	
1100	PMC_LSBUS_CLK	
1101	NOC_REF_CLK	NoC interconnect (divided by 4)
1110	NPI_REF_CLK	
1111	REF_CLK pin	

Interrupts

The ClkMon generates two types of interrupts for each channel for a total of 16 status interrupt bits in the [CLKMON_ISR](#) register:

- Out of range error [RANGEx_ERR]
- Internal counter overflow [CNTRx_ERR]

The status register reflects the raw status state. It is masked by the [CLKMON_IMR](#) register. The mask register bits are set and cleared by the interrupt disable and enable registers, respectively.

Monitored Clock Out of Range Error

If the clock frequency exceeds or falls below the limits of the threshold register settings, then the monitor clock out of range interrupt is generated.

Internal Counter Overflow Error

An internal register counts the number of clocks detected during the base time period. This is compared against the threshold register settings.

If the internal counter overflows, the counter overflow error interrupt bit is set. When this occurs, the base time period needs to be reduced, which can be done by entering a smaller [CLKMON0_BASE](#) register value, or using the faster [PMC_IRO_CLK](#) as a base clock reference.

Register Reference

The ClkMon registers include a set of interrupts registers and four registers for each of the 8 channels.

The ClkMon registers are included in the CRP register module. The base address for the CRP registers is `0xF126_0000`. The offset addresses for ClkMon are listed in the table.

Note: The ClkMon includes eight channels with four registers each. Channel 0 is at offset `0x0260`, channel 1 at `0x0270`, etc.

Table 278: ClkMon Registers

Register Name	Number of Registers	Offset Address	Access Type	Description
CLKMON_ISR CLKMON_IMR CLKMON_IER CLKMON_IDR	4	0x0240+	W1C R W W	ClkMon interrupt registers for out of range and internal counter overflow
CLKMON0_THRESH_U (0 to 7)	8	0x0260+	RW	Upper threshold count
CLKMON0_THRESH_L (0 to 7)	8	0x0264+	RW	Lower threshold count
CLKMON0_BASE (0 to 7)	8	0x0268+	RW	Number of base reference clocks in base time period
CLKMON0_CTRL (0 to 7)	8	0x026C+	RW	Select reference and monitor clocks, start sample, status idle state

Resets

Resets can be described as three groups.

- Device-level resets controlled by hardware and software
- Subsystem resets controlled by software
- Individual block resets controlled by software

The device-level resets include major subsystems that include the LPD and FPD, the NoC interconnect, and other integrated hardware. The device-level resets are generated by the POR_B input pin, the EAM, and the firmware in the PLM and PSM.

The subsystems are affected by the device-level resets and the individual block resets are affected by device and subsystem resets.

Reset Register Modules

The individual reset controls are managed by the PLM and PSM firmware. The firmware writes to the clock and reset register modules.

- **CRP**: device-level and individual PMC block reset control registers
- **CRL**: subsystem and individual LPD block reset control registers
- **CRF**: individual FPD block reset control registers
- **CPM_x_CRX**: individual CPM block reset control registers

Device-level Resets

There are two device-level resets.

- **POR**: reset and clear almost everything
- **SRST**: reset and clear most functionality

The POR and SRST distinction applies to device level resets and the [Persistent Registers](#).

The device-level resets are generated by hardware reset circuitry, the POR_B device pin, the reset signals from a error accumulator module (EAM), the JTAG controller, and the software written PMC registers.

- External POR

- Internal POR

The external POR is controlled by the POR_B device input pin. When the POR_B pin transitions from Low to High, the device starts from the External POR reset state.

The hardware monitors the voltage state of the three PMC power supplies. These must be within their operating range before releasing POR_B. During operation, if one of the power supplies falls below a voltage threshold, then an External POR is generated within the device.

The internal POR can be generated by the PMC error accumulator module (EAM) and by writes to the CRP register module.

The device-level resets are recorded in the [RESET_REASON](#) register.

Subsystem Resets

The major reset controls allow software to reset large parts of the LPD and FPD. These are explained in [Subsystem Resets](#) section.

Debug Resets

The debug resets are summarized in the [Debug Resets](#) section.

Programmers Reset Service Requests

The system software can request that subsystems and some individual blocks be reset. This is done by writing to the PMC and PSM global register sets. This is explained in [Reset Service Requests](#) section.

Comparison to Previous Generation Xilinx Devices

The Versal® device PMC reset structure is expanded to include more device-level controls with features to support new packaging technologies.

The Versal ACAP has just one dedicated reset pin, POR_B. This pin asserts the external power-on reset, External_POR. The Versal device does not include the Zynq® UltraScale+™ MPSoC PS_SRST_B reset pin.

The programming model includes device-level system resets for the reset controllers that are similar to the Zynq UltraScale+ MPSoC.

System Perspective

The PMC includes system-level reset functionality. This includes hardware circuits, the EAM, and the CRP register set. The LPD, FPD, and CPM have simpler reset controllers that service the individual processors, interconnect, memories, and peripherals. These functional units are introduced in this section and are shown in the [Reset Circuitry, EAM, and JTAG TAP Controller](#).

PMC Hardware Reset Circuitry

The PMC hardware reset circuitry receives input from the POR_B pin and the PMC critical power supplies to generate the external POR.

PMC Error Accumulator Module

The PMC error accumulator module (EAM) receives system errors from many parts of the system. The EAM can turn these errors into an internal POR or a system reset (SRST). There are approximate 50 system error signals routed to the PMC_GLOBAL [PMC_ERR1_STATUS](#) and [PMC_ERR2_STATUS](#) registers. A system reset only resets the mask registers. A POR resets both the mask and status registers.

Reset Controllers

The PMC reset controller drives both the device-level resets and the individual PMC block resets. The controller is shown in the [Reset Circuitry, EAM, and JTAG TAP Controller](#) section. Also, see the table in the [Device-Level Resets](#) section.

The LPD, FPD, and CPM reset controllers are simpler than the PMC reset controller. They are used to reset individual blocks in their respective power domain.

Reset Source Figures

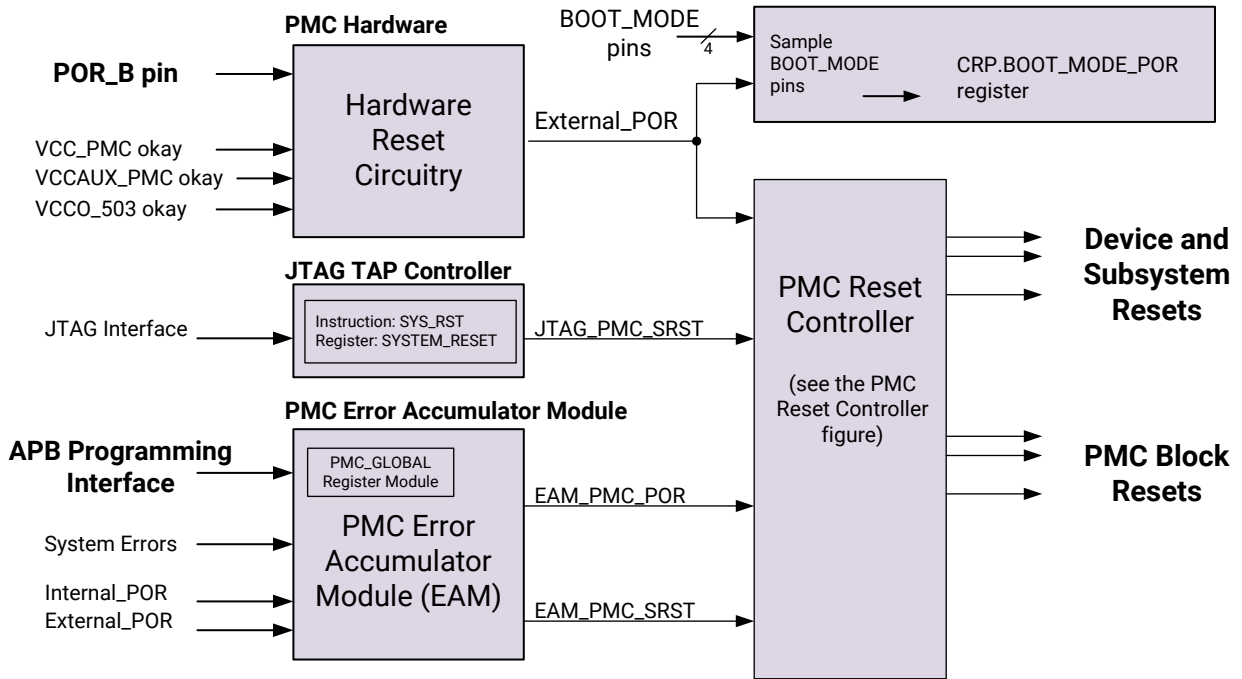
The reset sources are illustrated in the following sections:

- [Reset Circuitry, EAM, and JTAG TAP Controller](#)
- [PMC Reset Controller](#)
- [Individual Reset Controllers](#)

Reset Circuitry, EAM, and JTAG TAP Controller

The system-level resets are generated by the reset hardware circuitry, PMC system error accumulator module (EAM), the JTAG TAP controller, and the PMC reset controller. These are illustrated in the following figure.

Figure 124: **PMC Reset Circuitry, EAM and JTAG TAP Controller Reset Sources**

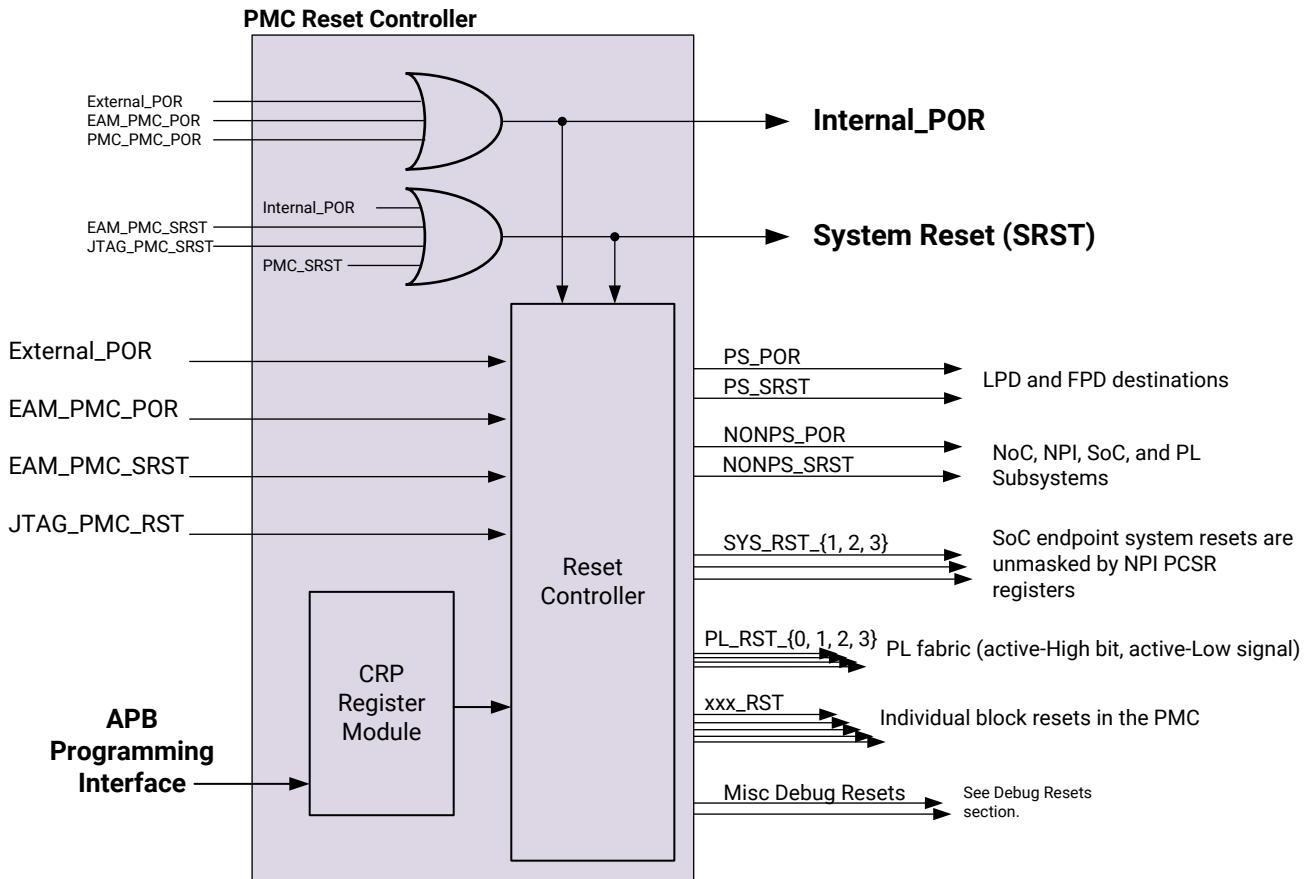


X24749-052521

PMC Reset Controller

The PMC reset controller includes hardware logic and registers from the CRP register set. The PMC reset controller is shown in the following figure.

Figure 125: PMC Reset Controller



X25375-061721

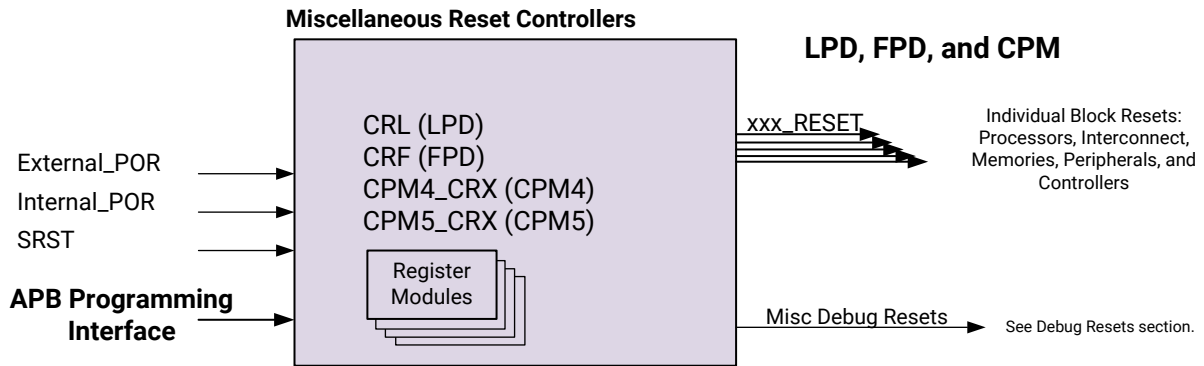
Individual Reset Controllers

There are several reset controllers in the system. A high-level diagram is shown below. The reset details include:

- [PMC Reset Controller](#) figure and [PMC Block Resets](#) table
- [LPD Block Resets](#) table
- [FPD Block Resets](#) table
- CPM, there is a reset controller for the CPM4, and CPM5 implementations

Note: The XRAM memory is reset by the LPD reset controller using the `CRL_RST_XRAM` register.

Figure 126: LPD, FPD, and CPM Reset Controllers



X25367-061721

Programming Model

The resets are managed by the PLM and PSM firmware. The PLM firmware manages the power and resets at the device level and for the PMC, NoC, DDRMC, and integrated hardware subsystems. The PSM manages the power and resets of the PS, which includes the LPD and FPD.

System software can request that domains and blocks be reset or powered down by writing to the PMC and PSM global registers. See [Reset Service Requests](#).

The cause of device-level resets is recorded in the CRP [RESET_REASON](#) register.

Reset Assertion Considerations

Reset operations are driven by power management, system failures, and other situations. When a reset request is made, the PLM and PSM firmware can respond with a hard reset or a soft reset. A soft reset can gracefully close down a subsystem for power management needs.

Quiescent Components

Prior to asserting a reset, the PLM and PSM firmware can attempt to put the affected logic into a quiescent state by using the isolation functionality in the ingress or egress ports of the interconnect switches. The functionality of these ports is described in the [Switch Architecture](#) section.

Reset Reason Register

The [RESET_REASON](#) register latches the cause of the previous system-level reset. All register bits are read and write 1 to clear (R, WTC).

The reset reason register is only reset by an external POR and is write-protected by the CRP [WPROT](#) register.

Resets Overview

PS Reset

The PS can be reset by the PLM or suddenly by a signal from the system error accumulator module (EAM). For more information, see [System Errors](#). When the PS is reset, the error that caused the reset is preserved.

- PMC and PSM error accumulator module (EAM) registers
- Reset Reason register, [RESET_REASON](#) register

Individual Block Resets

The individual block resets are driven by register bits to generate module and block software resets. These are described in [Reset Reference for Individual Blocks](#).

Device-Level Resets

The device-level reset sources are listed in the following table. The table includes the source of the reset, its effects on the hardware, and activity in the reset reason register as described in the [Reset Reason Register](#) section.

Table 279: Device-Level Reset Sources

Reset Source	Notes	Reset Reason Register
POR - External		
External POR_B device pin Critical power supplies	<ul style="list-style-type: none"> • Resets all logic and registers • Boot mode pins are sampled • Causes the external POR boot process in RCU BootROM code 	[external_por]
POR - Internal Device-Level		
EAM_PMC_POR	Device-level POR reset; see System Errors	[err_por]
CRP RST_PS [PMC_POR]	Device-level POR reset	[sw_por]
POR - Internal Subsystem-Level		
CRP register RST_PS [PS_POR]	PS POR reset	-
CRP register RST_PS [PL_POR]	PL POR reset	-
CRL register RST_FPD [POR]	FPD POR reset	-
CRP register RST_NONPS [NOC_POR]	NoC and SoC POR reset	-

Table 279: Device-Level Reset Sources (cont'd)

Reset Source	Notes	Reset Reason Register
SRST - System Resets		
System error accumulator module (EAM): • EAM_SRST	Device-level system reset; see System Errors	[err_sys]
JTAG TAP register, instruction: • SYSTEM_RESET		
CRP register RST_PS [PMC_SRST]	Device-level system reset	[sw_sys]
CRP register RST_PS [PS_SRST]	LPD and FPD system reset	-
CRL register RST_FPD [SRST]	FPD system reset	-
CRP register RST_PS [PL_SRST]	PL system reset	-
CRP register RST_NONPS [NOC_RESET]	NoC system reset	-
CRP register RST_NONPS [NPI_RESET]	NPI system reset	-
Debug Resets		
Miscellaneous	See Debug Resets	[dap_sys]

Subsystem Resets

The subsystem resets are shown in the following table.

Table 280: Subsystem Resets

Description	Reset Name	Power Domain	Register Bit Control
CRP RST_DBG register			
All CoreSight components inside of the PMC and PS			[RESET]
Debug port controller	DPC_RESET	PMC	[DPC]
CRL RST_CPU_R5 register			
RPU MPCore, and debug logic	RPU_POR_RESET	LPD	[RESET_POR_RPU]
TCMs, GIC, and 2x1 switch	RPU_AMBA_RESET	LPD	[RESET_AMBA]
RPU CPUs	RPU_CPU0_RESET RPU_CPU1_RESET	LPD	[RESET_RPU1] [RESET_RPU0]

Debug Resets

The CoreSight™ debug functionality is spread across all the power domains. The PLM is aware of the states of the power domains and is responsible for the appropriate distribution of the debug reset.

The debug reset is passed to all CoreSight components within the PMC, LPD, FPD, and CPM through PMC reset register bits. The debug port controller (DPC) is reset by a register in the TAP controller, which is accessed through the PMC interconnect.

At the device level, this reset also applies to the high-speed debug port (HSDP) through the [RST_DBG_LPD](#) [RST_HSDP] bit. If the soft Aurora is implemented in the PL, a PMC GPO bit can be used to reset the logic. The PL debug components are separated from mission IPs and are placed on a separate reset. The DDR memory controller, NoC interconnect, and AI Engine resets are controlled through four NPI controls, which allows the partitioning of the resources into groups and associates each group with a specific reset category.

The debug logic includes the DPC in the PMC and the CoreSight logic that extends into the PMC, PS, PL, and other parts of the device. The debug resets are summarized in the following table.

Table 281: Debug Resets

Description	Reset Name	Power Domain	Register Bit Control	Notes
CRP RST_DBG register				
All CoreSight components inside of the PMC and PS	CORESIGHT_RESET	PMC, LPD, and FPD	[RESET]	Includes logic affected by the: CRL.CRL_RST_DBG_LPD [1:0] and CRF.CRF_RST_DBG_FPD [0] register bits. Does not reset the DPC in the PMC.
Debug port controller	DPC_RESET	PMC	[DPC]	PMC DPC logic.
CRL RST_DBG_LPD register				
LPD CoreSight and all FPD debug components	PS_DEBUG_RESET	LPD and FPD	[RESET]	
DPC Aurora and DMA control	DPC_LPD_RESET	LPD	[RESET_HSDP]	LPD portions of Aurora and the DPC DMA controllers (not the RAM).
RPU debug logic	RPU_DBG0_RESET RPU_DBG1_RESET	LPD	[RPU_DBG0_RESET] [RPU_DBG1_RESET]	Includes RPU debug logic, breakpoint, and watchpoint.

POR_B Reset

The PMC start-up begins with the release of the POR_B reset pin. The reset pin must be held asserted for at least the T_{PORB} time after the critical power supplies have reached their operating level. This is defined to be 10 μ s in the *Versal Prime Series Data Sheet: DC and AC Switching Characteristics (DS956)* and the *Versal AI Core Series Data Sheet: DC and AC Switching Characteristics (DS957)*.

Power Supplies Required

The minimum power supplies required for boot depends on the boot device selected by the boot mode pins. For JTAG boot, these three power supplies are required:

- VCC_PMC
- VCCAUX_PMC
- VCCO_503 I/O (see [PMC Dedicated Pins](#))

These three power supplies must be maintained to keep the device from generating an external POR.

When a boot device is selected on an MIO bank, the bank power supply must also be valid:

- VCCO_500 or VCCO_501 (PMC MIO pin banks 0 and 1)

The four power supplies are sufficient to boot from a device and load a PLM firmware image into the PPU processor.

Note: The VCC_BATT power supply is normally always On, but it is not required to operate the system. VCC_BATT is used by the BBRAM to maintain its memory and to run the RTC when the VCCAUX_PMC power supply is off. The VCC_EFUSE power supply must be On when eFUSES are required to be programmed and should be Off (grounded) when they are not being programmed.

Additional Power Supplies

All power supplies are listed in the [Power Pins](#) section. Some power domains require other power domains to be on as well. The dependencies of one power domain on another power domain are described in the [Power](#) chapter.

Alternate Boot Mode Selection

The release of the POR causes the hardware to capture the state of the boot mode pins and store the value in the [BOOT_MODE_POR](#) register and the [BOOT_MODE_USER](#) [Boot_Mode] bit field. The [BOOT_MODE_USER](#) register enables software to select a different boot mode by setting the [use_alt] bit to 1 and writing the 4-bit boot mode code into the [alt_boot_mode] field.

Boot Sequencing

There are four stages of the system boot process. These are described in the [Overview](#) chapter in the [Section III: Platform Boot, Control, and Status](#) section.

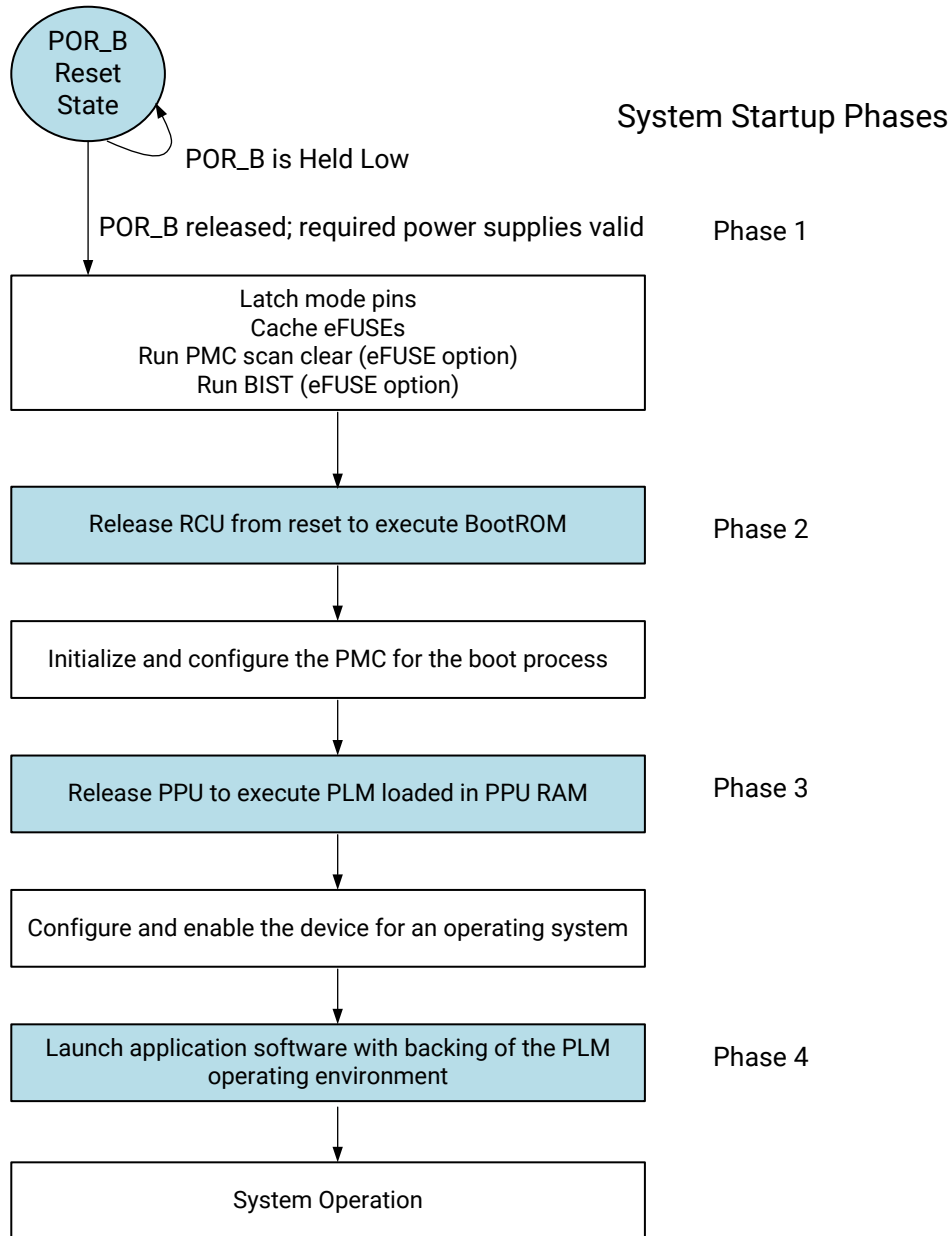
For the initial phases, the PMC hardware checks are performed and the RCU is released to execute the BootROM. The primary task of the RCU is to fetch the boot header from the boot device. This header provides important boot information about the start-up.

After the RCU has performed its housekeeping duties, it sets up the boot interface and initializes the required registers. The RCU then loads the platform loader and manager (PLM) firmware into the PPU RAM memory and releases the PPU processor from reset. Next, the PPU begins to execute the PLM firmware that reads the program device image from the boot source.

Flowchart

The start-up process is shown in the following figure.

Figure 127: PMC Start-up Flowchart



X24082-061221

System Integrity Monitoring

The device has several monitoring resources that can reset all or part of the device.

- [Power Supply Dropout](#) (hardware)

- [System Errors](#) (error accumulator module, EAM)
- [System Monitoring Software](#) (RCU, PLM and PSM)

Power Supply Dropout

Power supplies are measured by the PMC reset circuitry and the PMC system monitor (PMC_SYSMON).

PMC Reset Circuitry

If one of the three required power supplies for boot goes down, the PMC reset circuitry asserts the external POR signal.

PMC SYMON Monitoring

The PMC includes a voltage and temperature system monitoring unit (SYSMON).

System Errors

A system error can generate an internal POR reset. See [System Errors](#).

System Monitoring Software

- RCU includes system monitoring ROM-based code
- PLM firmware
- PSM firmware

Reset Reference for Individual Blocks

The individual block reset reference tables are divided into these sections:

- [PMC Block Resets](#)
- [LPD Block Resets](#)
- [FPD Block Resets](#)
- [NPI Block Resets](#)
- [SoC Endpoint Resets](#)
- [NoC Resets](#)

PMC Block Resets

The PMC resets for the processors, memory, DMA and other system functional units are summarized in the following table.

Note: All reset register control bits are active-High. A "1" means the reset is asserted.

Table 282: PMC Block Resets

Functional Unit	Reset Name	Reset Register Control	Notes
Processors			
RCU	RCU_RST	Miscellaneous	Internal POR (several sources) and external, dedicated pin POR_B. See the Resets Overview section.
PPU	PPU_RST	Miscellaneous	
Peripherals			
PMC DMA controllers	PMC_DMA_RST	RST_PDMA [RESET0] RST_PDMA [RESET1]	DMA's connect between memory mapped PMC interconnect and the secure stream switch domain.
SBI boot interface module	SBI_RST	RST_SBI [RESET]	The SBI connects the SelectMAP and JTAG boot interfaces to the secure stream switch.
PMC system monitor	PMC_SYSMON_RST	RST_SYSMON [RESET]	Resets the PMC SYSMON controller including register settings and the sequencer configuration. Note: The eFUSE values are unaffected.
I/O Peripherals			
PMC GPIO	PMC_GPIO_RST	RST_GPIO [RESET]	PMC GPIO peripheral controller
PMC I2C	PMC_I2C_RST	RST_I2C [RESET]	PMC I2C peripheral controller
Flash Memory Controllers			
QSPI controller	QSPI_RST	RST_QSPI [RESET]	
OSPI controller	OSPI_RST	RST_OSPI [RESET]	
SD_eMMC0 controller	SD0_RST	RST_SDIO0 [RESET]	
SD_eMMC1 controller	SD1_RST	RST_SDIO1 [RESET]	

LPD Block Resets

The controller resets are summarized in the following table.

Table 283: LPD Block Resets

Block	Reset Name		Register Control	
LPD I/O Peripherals				
GPIO controller	LPD_GPIO_RESET		CRL CRL.RST_GPIO [RESET]	
I2C 0 controller	LPD_I2C0_RESET		CRL CRL.RST_I2C [RESET]	
I2C 1 controller	LPD_I2C1_RESET		CRL CRL.RST_I2C [RESET]	
USB 2.0 PHY Reset Control				
USB 2.0 controller	USB2_RESET		CRP CRP.RST_USB [PHY_RST]	This resets the PHY in the PMC power domain. The USB controller is located in the LPD.

LPD Resets

The global LPD resets are included in the PS resets. The application software can request resets to the LPD blocks using the [PSM Global Registers](#). The PSM firmware can control interconnect traffic to halt new transactions and allow any active traffic to finish if possible. If traffic stalls, this can be detected by the transaction timeout feature on each interconnect egress port.

RPU MPCore Resets

There are several reset controls resets within the RPU MPCore. For example, cores can individually be reset.

FPD Block Resets

There are several reset controls resets within the APU MPCores, the PL to PS interfaces, FPD debug logic, and peripherals. Blocks can individually be reset as listed in the following table.

The reset registers for the FPD blocks are normally accessed by the PSM. Prior to asserting a reset, the PLM might put the affected logic into a quiescent state. The application software can request that one or more FPD blocks be reset using the [PSM Global Registers](#). The PSM firmware can control interconnect traffic to halt new transactions and allow any active traffic to finish, if possible. If traffic stalls, this can be detected by the transaction timeout feature on the interconnect egress ports.

Table 284: Individual FPD Block Resets

Functional Unit	Reset Name	CRF Registers	Notes
APU MPCore			
APU0 and APU1 cores	APU_RST	RST_APU Register [APU0], [APU1]	

Table 284: Individual FPD Block Resets (cont'd)

Functional Unit	Reset Name	CRF Registers	Notes
APU_DUAL_CSR register module			
APU GIC unit			
APU GIC x11 register modules	APU_GIC_RST	[APU_GIC]	
APU L2 cache	APU_L2_RST	[APU_L2]	
APU0 and APU1 power status		RST_APU [APU0_PWRON] [APU1_PWRON]	
PL to PS Interfaces			
PL_ACELITE_FPD PL_AXI_FPD		PL_AFI_APB [Sw_Reset]	
CoreSight Debug Logic			
FPD CoreSight debug logic		RST_DBG_FPD [RESET]	
Peripherals			
FPD system watchdog timer		RST_FPD_SWDT [RESET]	

PL Resets

There are four general purpose PL reset signals from the PMC controlled by the CRP [RST_PL](#) register:

- [RESET0]
- [RESET1]
- [RESET2]
- [RESET3]

The register bits are defined as active-High; set the bit = 1 to assert a reset in the PL fabric. The design tools see this reset assertion as an active-Low signal.

These resets are general purpose from the PMC CRP register module to the PL fabric. The uses of these resets are defined by the customer PL design.

SoC Endpoint Resets

There are three SoC endpoint system-level resets (SYS_RST) routed to the NPI register modules in the SoC where one or more of these resets can be enabled (unmasked) to reset the associated block. The SYS_RST reset signals are controlled by three bits in the CRP.[RST_NONPS](#) register as shown in the following table. Each NPI-based PCSR register set includes a register with three mask bits for the three SYS_RST reset signals from the PMC reset controller.

Note: These resets do not have an effect on the CRP.RESET_REASON register.

Table 285: SoC Endpoint Reset Register Controls

Reset Signal Name	CRP.RST_NONPS Bit Name	Description
SYS_RST_1	[SYS_RST_1]	System reset 1 bused to NPI register modules
SYS_RST_2	[SYS_RST_2]	System reset 2 bused to NPI register modules
SYS_RST_3	[SYS_RST_3]	System reset 2 bused to NPI register modules

NPI Block Resets

The NoC, NPI, DDRMC, and SoC resets are listed in the following table.

Table 286: NoC, NPI, DDRMC, and SoC Resets

Description	Reset Type	Source	Notes
NPI programming interface	POR	RST_NONPS [NOC_POR, bit 5]	
	SRST	RST_NONPS [NPI_RESET, bit 4]	

NoC Resets

The NoC resets are listed in the following table.

Table 287: NoC Resets

Description	Reset Type	Source	Notes
NoC interconnect	POR	RST_NONPS [NOC_POR, bit 5]	
	SRST	RST_NONPS [NOC_RESET, bit 6]	

Persistent Registers

Persistent registers provide control and status that are only reset by an internal or external POR as noted in the following tables.

- PMC and PSM Processor [Global and Local](#) registers
- [TrustZone Control](#)
- LPD and FPD [Power Control and Status](#)
- PMC and PS [Clock and Reset Control](#)

- [Miscellaneous Persistent Control Registers](#)

Global and Local

The persistent global and local registers are summarized in the following table.

Table 288: Persistent Global and Local Registers

Register	Offset Address	Reset Type	Description
PMC_GLOBAL Register Module			
PMC_MULTI_BOOT	0x0004	POR	Multi-boot address offset.
PERS_GLOB_GEN_STORAGE0 PERS_GLOB_GEN_STORAGE1 PERS_GLOB_GEN_STORAGE2 PERS_GLOB_GEN_STORAGE3 PERS_GLOB_GEN_STORAGE4	0x0050+	External POR	PMC persistent global read/write registers; 32 bits each.
PMC_GSW_ERR	0x0064	External POR	General software error log for use by the PLM firmware.
REQ_PWRUP_ISR REQ_PWRDWN_ISR REQ_ISO_ISR REQ_SWRST_ISR	0x0110 0x0210 0x0310 0x0410	POR	Power-up, down, ISO, and software request interrupt status.
PMC_ERR1_STATUS PMC_ERR2_STATUS	0x20000 0x20004	External POR	System error accumulator module (EAM) status.
PMC_LOCAL Register Module			
PERS_PMC_LCL_STORAGE0 PERS_PMC_LCL_STORAGE1 PERS_PMC_LCL_STORAGE2 PERS_PMC_LCL_STORAGE3 PERS_PMC_LCL_STORAGE4	0x0064+	POR	PMC persistent local storage, 32 bits each.
PMC_BOOT_ERR	0x2000	External POR	BootROM error code and flags.
PSM_GLOBAL Register Module			
PS_SW_ERR PSM_BOOT_SERV_ERR	0x0020 0x0024	POR	Read-write registers for use by the PSM firmware.
PERS_GLOB_GEN_STORAGE0 PERS_GLOB_GEN_STORAGE1 PERS_GLOB_GEN_STORAGE2 PERS_GLOB_GEN_STORAGE3 PERS_GLOB_GEN_STORAGE4 PERS_GLOB_GEN_STORAGE5 PERS_GLOB_GEN_STORAGE6 PERS_GLOB_GEN_STORAGE7	0x0050+	External POR	PSM persistent global storage; 32 bits each.
PWR_STATE AUX_PWR_STATE	0x0100 0x0104	POR	PS power island state. PS memory and retention state.

TrustZone Control

The persistent TrustZone control registers are summarized in the following table.

Table 289: Persistent TrustZone Control Registers

Register	Offset Address	Reset Type	Description
PMC_IOP_SLCR_SECURE TrustZone Control Registers			
IOP_AXI_WPRTCN_SD0 IOP_AXI_RPRTCN_SD0 IOP_AXI_WPRTCN_SD1 IOP_AXI_RPRTCN_SD1	0x0000 0x0004 0x0010 0x0014	POR	DMA transaction security settings: SD_eMMC0 AXI write, AXI read SD_eMMC1 AXI write, AXI read
IOP_AXI_WPRTCN_QSPI IOP_AXI_WPRTCN_OSPI	0x0020 0x0030	POR	Flash DMA transaction security settings: QSPI AXI write, OSPI AXI write
TZProt	0x006C	POR	Write protection control for PMC_IOP_SLCR_SECURE TrustZone registers
LPD_SLCR_SECURE TrustZone Control Registers			
RPU0_TZ RPU1_TZ PL_AXI_LPD_TZ PSM_TZ DMA_Ch0_TZ (x8 Ch0 to Ch7)	0x0020 0x0024 0x0050 0x0054 0x0060+	POR	Miscellaneous host transaction security settings: RPU0, RPU1 processors PS_AXI_LPD interface PSM subsystem LPD DMA controller
DPC_TZ	0x004C	POR	DPC transaction and register access security settings (APB, DMA, Aurora)
XMPU_TZ XPPU_TZ CPM_CSR_TZ IPI_TZ CRL_TZ SLCR_INT_TZ	0x0028 0x002C 0x0038 0x0040 0x0044 0x0048	POR	Register access security settings for LPD programming interfaces
TZProt	0x0080	POR	Write protection control for LPD_SLCR_SECURE TrustZone registers
LPD_IOP_SLCR_SECURE TrustZone Control Registers			
IOP_AXI_WPRTCN_GEM0 IOP_AXI_RPRTCN_GEM0 IOP_AXI_WPRTCN_GEM1 IOP_AXI_RPRTCN_GEM1	0x0000 0x0004 0x0010 0x0014	POR	DMA transaction security settings: GEM0 AXI write, AXI read GEM1 AXI write, AXI read
IOP_AXI_USB_2	0x0020	POR	USB transaction security setting
TZProt	0x007C	POR	Write protection control for LPD_IOP_SLCR_SECURE TrustZone registers

Table 289: Persistent TrustZone Control Registers (cont'd)

Register	Offset Address	Reset Type	Description
FPD_SLCR_SECURE TrustZone Control Registers			
APU_DUAL_TZ FPD_XMPU_TZ FPD_SLCR_TZ CRF_TZ PL_AXI_FPD_TZ PL_ACELITE_FPD_TZ FPD_CCI_TZ FPD_SMMU_TZ	0x0104 0x0108 0x010C 0x0110 0x0114 0x0118 0x011C 0x0120		Register access security settings for LPD programming interfaces
WProt	0x0FF8		Write protection control for FPD_SLCR_SECURE TrustZone registers

Power Control and Status

The persistent control and status registers are summarized in the following table.

Table 290: Persistent Power Control and Status Registers

Register	Offset Address	Description
PSM_LOCAL Power Control and Status Registers		
APU0_PWR_CTRL APU1_PWR_CTRL L2_PWR_CTRL L2_CE_CTRL	0x0000 0x0004 0x00B0 0x00B8	APU and L2 cache power control and status.
RPU_PWR_CTRL RPU_PWR_STATUS TCM_PWR_CTRL TCM_CE_CTRL	0x0080 0x0084 0x00B0 0x00B8	RPU and TCM power control and status.
OCM_PWR_CTRL OCM_CE_CTRL OCM_PWR_STATUS	0x00C0 0x00C8 0x00CC	OCM power island control and status, and chip enable control.
GEM_PWR_CTRL GEM_CE_CTRL GEM_PWR_STATUS	0x00E0 0x00E4 0x00E8	GEM power island control, status and chip enable control.
DOMAIN_ISO_CTRL	0x00F0	Isolation control for LPD-FPD and XRAM boundaries.
LOC_PWR_STATE LOC_AUX_PWR_STATE	0x0100 0x0104	Power-up status for all islands within the PS.

Clock and Reset Control

The persistent clock and reset registers are summarized in the following table.

Table 291: Persistent Clock and Reset Control Registers

Register	Offset Address	Description
PMC CRP Clock and Reset Register Module		
BOOT_MODE_USER RESET_REASON	0x0200 0x0220	Software boot mode control and status. Source of the last reset (POR_B required).
RST_PS RST_NONPS RST_DBG	0x031C 0x0320 0x0400	Resets: [PMC_POR], [PS_POR], [PL_POR] only. Non-PS, PMC resets: [SOC_POR] only. Reset for Debug blocks.
LPD CRL Clock and Reset Register Module		
RST_CPU_R5 RST_DBG_LPD RST_FPD	0x0300 0x0338 0x0360	RPU Cortex®-R5F hard reset: [RESET_PGE]. Debug, HSDP, CoreSight™ resets. FPD reset.
FPD CRF Clock and Reset Register Module		
RST_APU RST_DBG_FPD RST_FPD_SWDT	0x0300 0x030C 0x0314	APU Cortex®-A72 hard resets: [APUx_PWRON]. SoC debug reset. FPD system watchdog timer reset.

Miscellaneous Persistent Control Registers

Miscellaneous persistent registers are summarized in the following table.

Table 292: Miscellaneous Persistent Control Registers

Register	Offset Address	Description
LPD_SLCR Register		
HSDP_CFG	0x0088	HSDP datapath configuration through the XPipe.

Power

The device power architecture includes power domains and PS-based power islands. The power domains are large areas of the device that have their own set of power pins. The power islands are smaller areas within the LPD and FPD power domains. The power islands are controlled by onboard power FETs. These FETs are controlled by register bits. The power domains and islands are shown in the [Power Diagram](#).

The power domain states and the transitions from one state to another have some restrictions. For the power domains and the power islands, the interconnect traffic must be brought to a halt before power-down. The PS power islands are controlled by the PSM controller in the LPD. The power-up process includes sequencing of power, clocks, and resets.

Power management is described in [Power Management](#).

Power Domains

- PMC power domain: platform management controller and functional units
- LPD (low-power domain):
 - RPU MPCore processor
 - LPD functional units
 - CPM5, if present
- FPD (full-power domain): application processing unit and functional units
- PL power domain
 - PL building blocks and clock structures; the count is device dependent
 - CPM4, if present
 - AI Engine, if present
- SPD (system power domain)
 - NoC and NPI interconnect
 - DDR memory controllers
- BPD (battery power domain)
 - Real-time clock (RTC)

- Battery-backed RAM (BBRAM)
- Gigabit transceivers for high-speed I/O (GTM, GTY, GTYP)
 - AVCC, AVCCUAX, AVTT, AVTTRCAL transceiver pins

Power Islands

The LPD and FPD processors and some subsystem units are on their own power islands. These are controlled by the PSM.

- RPU processor (all cores together)
- APU cores (individually)
- APU L2-cache
- 4 MB XRAM supports a total of 16 power islands (1 per 256 KB sub-bank)

The power island controls and service request registers are listed in [Power Islands](#).

Power Reduction Features

There are several power reduction features. In addition to power control, the processors have sleep modes. The power domains are controlled by output pins attached to external power supplies. The PS power islands are controlled by on-chip power FETs that are controlled by registers accessible to the PSM.

- Processor sleep/wake feature
- PS and PL clock frequency reduction and clock gating

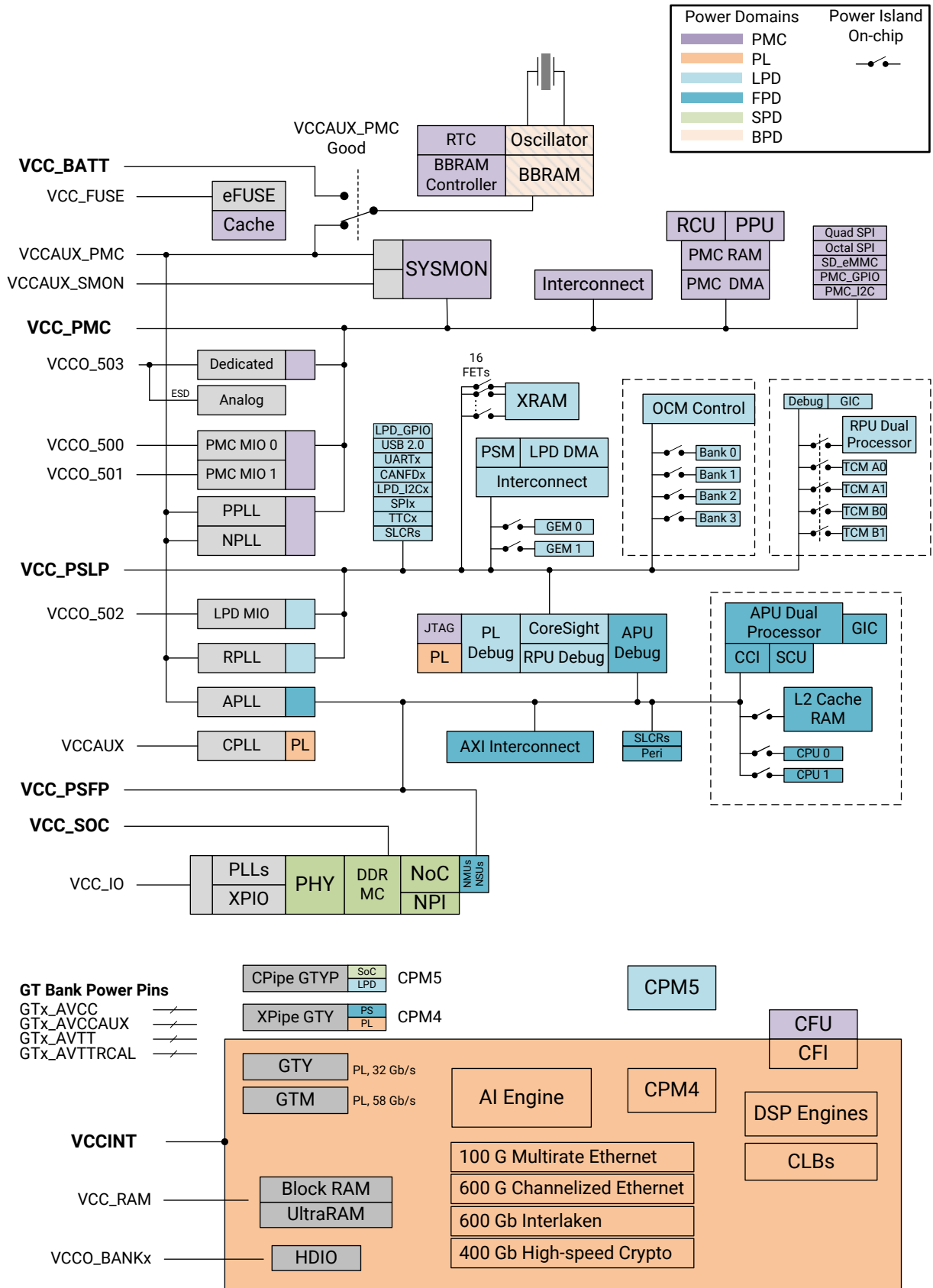
Note: PL clocks can be enabled and disabled by system software using an EMIO signal from one of the GPIO controllers.

Power Diagram

The following figure shows the Versal® ACAP power domains. The power domains are color coded. The power islands are shown with small switch symbols.

Note: The GT power pins are listed in the [Power Pins](#) section.

Figure 128: Power Domains and Islands Diagram



Power Domains

The primary power domains are listed in the [Power Management](#) section.

Power Domain State Requirements

The PMC power is always required. General rules include:

- PMC is required to operate the device
- LPD is required for the FPD
- SOC is required for the PL
- CPM, when present:
 - CPM4: PL and LPD are required
 - CPM5: LPD is required

PL and PS-centric modes:

- PMC and PL
- PMC and LPD
- PMC, LPD, FPD
- PMC, LPD, FPD, and PL

Note: The PL power domain includes the AI Engine and CPM4, if they are present.

There are restrictions regarding EMIO signals.

- LPD is required for PMC EMIO signals

Common power modes are listed in [Power Modes](#).

Power Islands

The power islands are in the LPD and FPD. These are shown in the [Power Diagram](#). The power islands are controlled by the PSM firmware. The system software writes to the PSM global registers to request power island state changes.

The system software controls the PS power-up and power-down cycles by writing to the global registers in the PSM. This is explained in the [PSM Service Requests](#) section.

For power-down requests, the PSM firmware makes the domain's interconnect transactions quiescent before a shut-down.

Test and Debug

The test and debug section includes these chapters:

- [Overview](#)
- [Integrated Debug](#)
- [CoreSight Debug](#)

Overview

Debug Packet Controller

The debug packet controller (DPC) responds to the commands from the debug host.

SoC Debug I/O

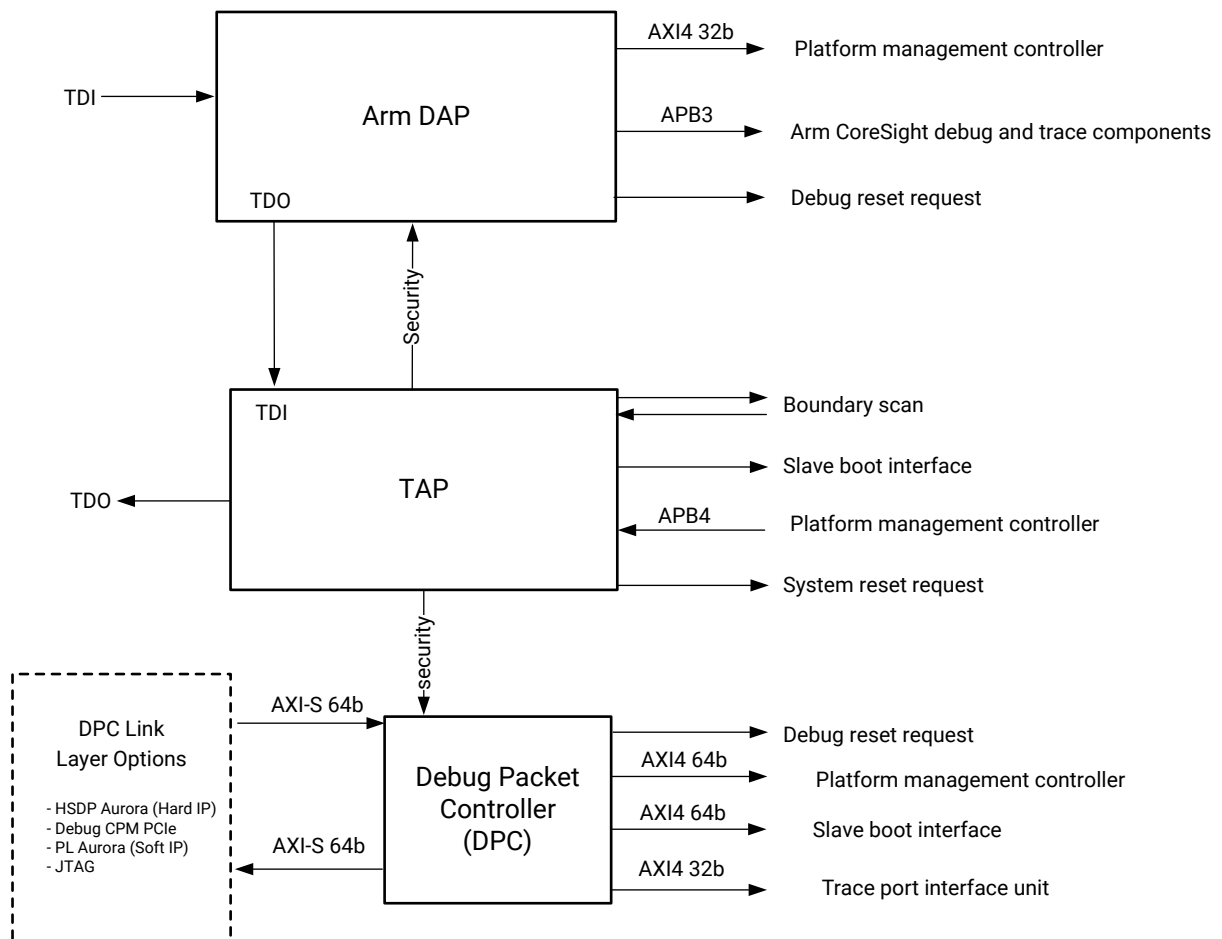
The Versal® ACAP includes device-level debug and trace capabilities. The debug hardware features include the following.

- Four host debugger access points to the DPC.
 - PCIe® Host: high-speed, high-bandwidth debug protocol
 - Aurora host: high-speed, serial debug protocol path to DPC
 - PL interface: high-speed, high-bandwidth streaming
 - JTAG
- Debug environment for the following.
 - PS RPU and APU processors
 - PMC and PSM processors
 - PL, CPM, and AI Engine
- Intrusive and non-intrusive debug.
- Interfacing to ChipScope™.
- Daisy-chaining of multiple devices for debug or configuration through a unified cable.

Integrated Debug

The Versal® ACAP has integrated debug that resides in the PMC. The integrated debug subsystem includes the test access port (TAP) controller, the Arm® debug access port (DAP) controller, and the debug packet controller (DPC). The PMC TAP controller supports PL configuration, ChipScope™ debug, and JTAG boundary-scan operations. The Arm DAP controller supports the Arm CoreSight™ debug and trace. The DPC is part of the high-speed debug port (HSDP) and allows access to all debug resources including Arm CoreSight debug and trace and ChipScope.

Figure 129: Debug Interface Block



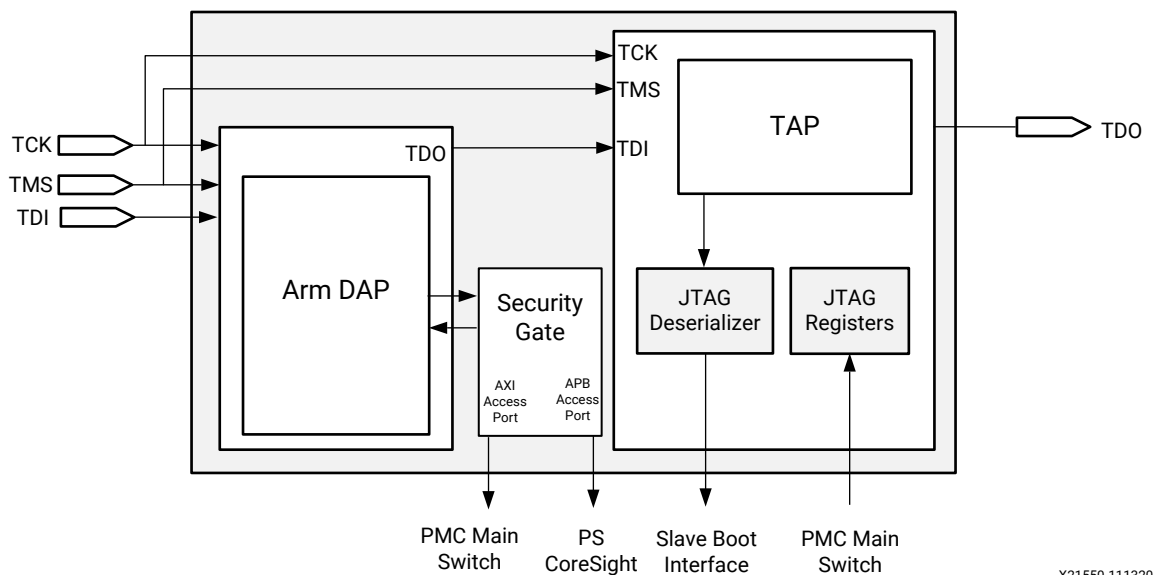
X21548-103020

JTAG and Boundary-Scan

The Versal ACAP architecture is compatible with the IEEE Standard Test Access Port and Boundary-Scan Architecture (IEEE Std 1149.1) and includes all the mandatory elements defined by the standard. These elements include the TAP, TAP controller, instruction register, instruction decoder, boundary register, and bypass register. Versal ACAPs also support a 32-bit device identification register and a JTAG configuration register that adds additional readback and configuration JTAG capability.

The primary debug access port is the JTAG interface. The JTAG chain order in the Versal ACAP is fixed with the DAP controller followed by the TAP controller as shown in the following figure.

Figure 130: JTAG Chain



X21550-111320

The JTAG dedicated I/O supports boundary-scan operations, status register access, PL readback, and a single-stepping hardware analyzer in the PL and AI Engine. The JTAG interface provides base debug to assist with board or device bring-up issue isolation.

If JTAG is disabled, via the JTAG disable eFUSE, only the IDCODE JTAG instruction is available. This is a permanent setting and cannot be reverted. See the *Versal ACAP Security Manual* (UG1508) for the production readiness of the desired security feature, as well as its detailed usage instructions. This manual can be downloaded from the [Design Security Lounge](#).

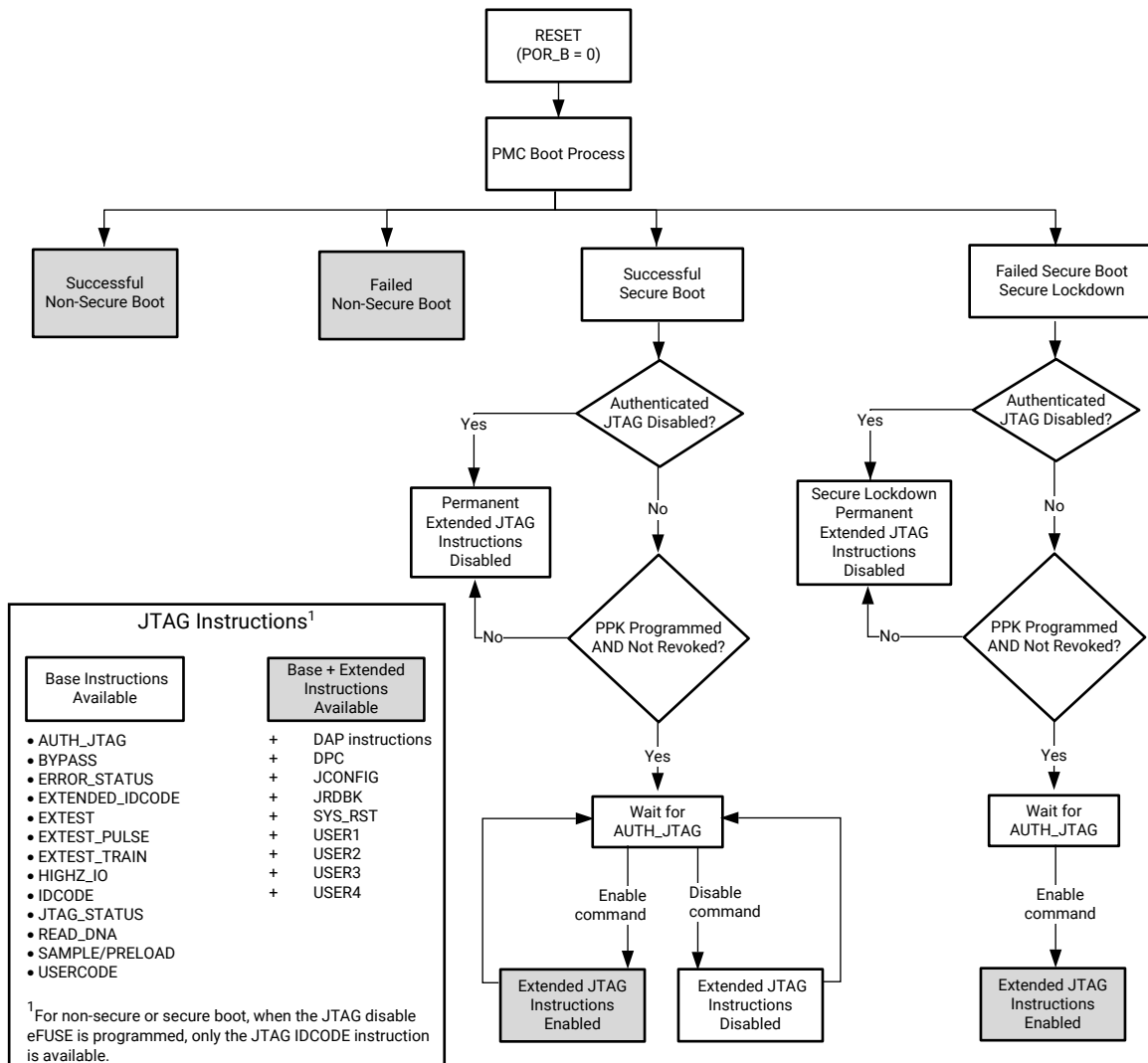


IMPORTANT! An active NDA is required for access to the [Design Security Lounge](#).

If the JTAG disable eFUSE is not set, on power-up, the default boot mode is secure and the JTAG interface accepts the base JTAG instructions regardless of the boot mode. For non-secure boot, after the boot is complete, successfully or unsuccessfully, the full suite of extended JTAG instructions are enabled. For secure boot, if the boot is completed successfully, the authenticated software is capable of enabling the extended JTAG instructions. In the event of a failed secure boot, the JTAG capabilities are dependent on how the device was provisioned.

The following figure illustrates the JTAG interface protections, as well as when the base JTAG instructions or full extended instructions are available.

Figure 131: JTAG Interface Protections



X24713-052821

TAP Controller

Test Access Port Interface

The device test access port (TAP) contains the four mandatory, dedicated pins (TDI, TDO, TMS, and TCK) as specified by the protocol. Test reset (TRST) and enable pins are optional control pins sometimes used by devices from other manufacturers, but are not provided on Xilinx devices.


 **IMPORTANT!** Be aware of optional signals when interfacing Xilinx devices with parts from different vendors, because driving these optional pins could have different requirements.

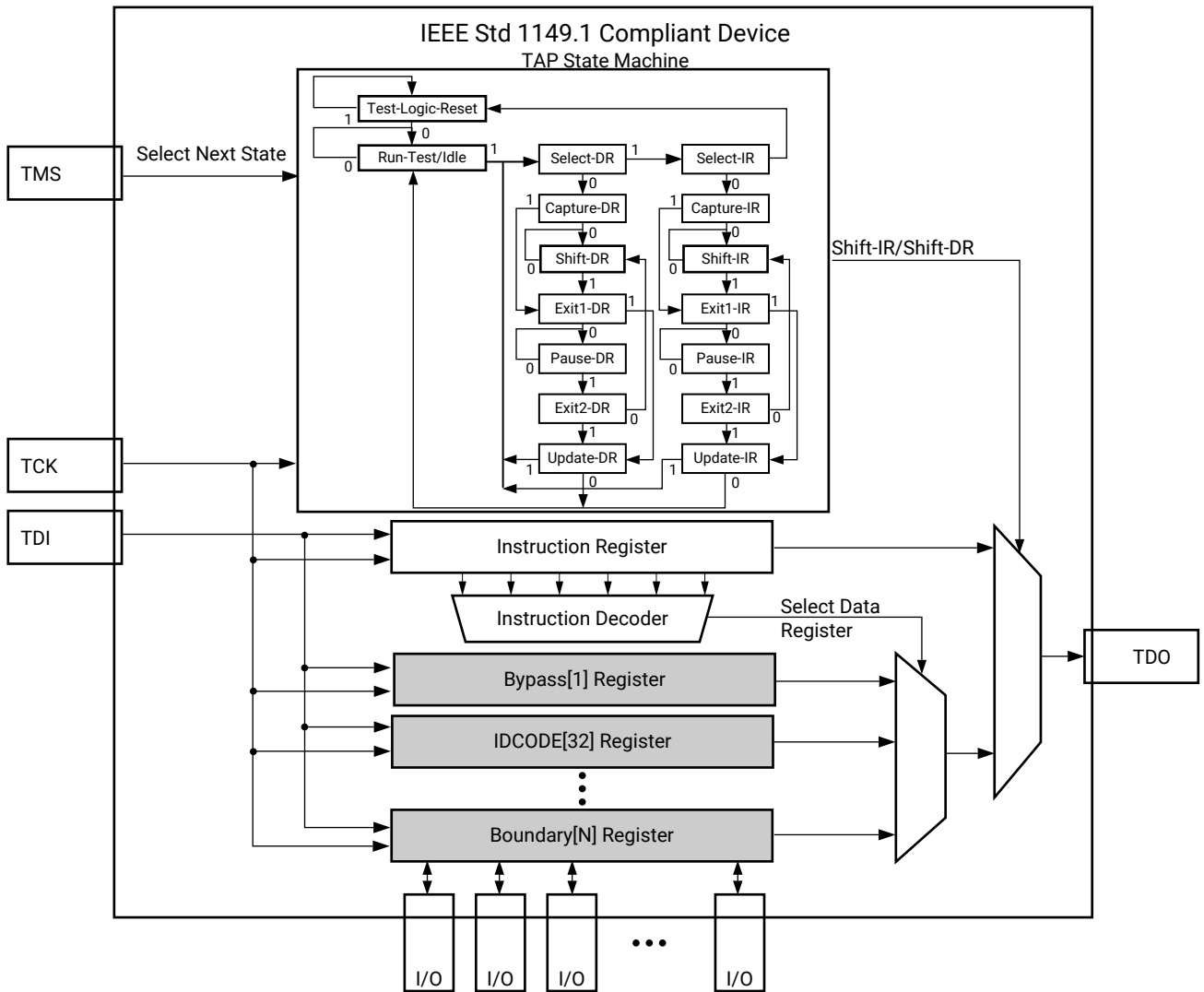
Table 293: TAP Interface

Pin	Type	Direction	Description
TDI	Dedicated	Input	Test data in (TDI): This pin is the serial input to all JTAG instruction and data registers. The state of the TAP controller and the current instruction determine the register that is fed by the TDI pin for a specific operation. TDI has an internal resistive pull-up to provide a logic High to the system if the pin is not driven. TDI is applied to the JTAG registers on the rising edge of TCK.
TDO	Dedicated	Output	Test data out (TDO): This pin is the serial output for all JTAG instruction and data registers. The state of the TAP controller and the current instruction determine the register (instruction or data) that feeds TDO for a specific operation. TDO changes state on the falling edge of TCK and is only active during the shifting of instructions or data through the device. TDO is an active driver output. TDO has an internal resistive pull-up to provide a logic High if the pin is not active.
TMS	Dedicated	Input	Test mode select (TMS): This pin determines the sequence of states through the TAP controller, which change on the rising edge of TCK. TMS has an internal resistive pull-up to provide a logic High if the pin is not driven.
TCK	Dedicated	Output	Test clock (TCK): This pin is the JTAG test clock. TCK sequences the TAP controller and the JTAG registers. TCK has an internal resistive pull-up to provide a logic High if the pin is not driven.

Test Access Port (TAP) Controller

The following figure shows the JTAG standard 16-state finite state machine. The four TAP pins control how data is scanned into the various registers. The state of the TMS pin at the rising edge of TCK determines the sequence of state transitions. There are two main sequences, one for shifting data into the data register and the other for shifting an instruction into the instruction register. A transition between the states only occurs on the rising edge of TCK, and each state has a different name. The two vertical columns with seven states each represent the instruction path and the datapath. The data registers operate in the states whose names end with "DR," and the instruction register operates in the states whose names end in "IR." The states are otherwise identical.

Figure 132: Example JTAG TAP Controller and TAP Registers



X22463-050219

JTAG Register Reference

The Versal® ACAPs provide JTAG registers that can be accessed through the JTAG interface for boundary-scan operations and debug. Several of the JTAG registers provide valuable status indicators for the device start-up and boot. The JTAG TAP registers in the Versal ACAP are listed in the following table

Table 294: JTAG Registers

Register Name	Register Length	Description
BOUNDARY	Varies per device	Controls and observes input, output, and output enable
BYPASS	1-bit	Bypasses the device

Table 294: JTAG Registers (cont'd)

Register Name	Register Length	Description
ERROR_STATUS	160-bit	Captures the error management status for the PMC
EXTENDED_IDCODE	32-bit	Captures the device extended IDCODE
DEVICE_IDENTIFICATION (IDCODE)	32-bit	Captures the device IDCODE
INSTRUCTION	6-bit	<ul style="list-style-type: none"> Holds the current instruction opcode and captures internal device status Total Versal ACAP instruction register length is DAP (4-bit instruction register length) + TAP (6-bit instruction register length)
JTAG_CONFIG	Varies	<ul style="list-style-type: none"> Connects the JTAG pins to the slave boot interface when using the JTAG TAP instructions JCONFIG and JRDBK These JTAG TAP instructions write or read a programmable device image into the Versal ACAP The JTAG_CONFIG data register does not support pausing during data shifting via temporary transitions to the JTAG TAP DR-PAUSE state. If data shifting must be paused, then pause by stopping the TCK clock while keeping the JTAG TAP in the DR-SHIFT state.
DNA	128-bit	Captures the device DNA value
SECURE_DEBUG	32-bit	Shifts in the authenticated data packet to authenticate in secure mode
JTAG_STATUS	36-bit	Captures the platform management controller overall status
SYSTEM_RESET	1-bit	Issues a Versal ACAP PMC_SRST
USER_DEFINED (USER1, USER2, USER3, USER4)	Design specific	Design-specific register
USERCODE	32-bit	Captures the user-designated value

ERROR_STATUS Register

The ERROR_STATUS register is a 160-bit register that provides key error conditions from across the Versal ACAP. The ERROR_STATUS register is accessed via JTAG. See [Table 136: Error Status Register Mapping](#) for a cross-referencing between the JTAG error status register and the memory-mapped registers.

Table 295: ERROR_STATUS Register Format

Bit	Field	Description
159:155	RSVD_READS_0	Reserved, returns 0
154:148	RESERVED	Reserved
147:136	BOOTROM FIRST ERROR	BootROM first error code (FEC) detected
135:124	BOOTROM LAST ERROR	BootROM last error code (LEC) detected
123:110	PLM MAJOR ERROR	PLM major error code
109:94	PLM MINOR ERROR	PLM minor error code
93:64	GSW ERROR	General software error code for PLM
63	RESERVED	Reserved

Table 295: **ERROR_STATUS Register Format (cont'd)**

Bit	Field	Description
62	BOOTROM NCR	BootROM non-correctable error Set by RCU BootROM during boot
61	PLM CR	Platform loader and manager boot correctable error Set by PLM during boot
60	PLM NCR	Platform loader and manager boot non-correctable error Set by PLM during boot
59	GSW CR	General software correctable error after boot
58	GSW NCR	General software non-correctable error after boot
57	CFU ERROR	CFU error
56	CFRAME ERROR	CFRAME error
55	PSM CR	PSM correctable error
54	PSM NCR	PSM non-correctable error
53	DDRMC MB CR	DDRMC MicroBlaze correctable ECC error
52	DDRMC MB NCR	DDRMC MicroBlaze non-correctable ECC error
51	NOC CR	NoC correctable error
50	NOC NCR	NoC non-correctable error
49	NOC USER ERROR	NoC user error
48	MMCM LOCK ERROR	MMCM lock error
47	AIE CR	AI Engine correctable error
46	AIE NCR	AI Engine non-correctable error
45	DDRMC MC ECC CR	DDRMC MC (memory controller) correctable ECC error
44	DDRMC MC ECC NCR	DDRMC MC (memory controller) non-correctable ECC error
43	GT CR	GT correctable error
42	GT NCR	GT non-correctable error
41	SYSMON CR	SYSMON correctable error
40	SYSMON NCR	SYSMON non-correctable error
39	USER PL0 ERROR	User-defined PL error
38	USER PL1 ERROR	User-defined PL error
37	USER PL2 ERROR	User-defined PL error
36	USER PL3 ERROR	User-defined PL error
35	NPI ROOT ERROR	NPI root error
34	SSIT ERROR3	SSI technology SLR error
33	SSIT ERROR4	SSI technology SLR error
32	SSIT ERROR5	SSI technology SLR error
31	PMC APB ERROR	PMC APB error. Includes errors from registers: PMC_LOCAL, PMC_GLOBAL, CRP, PMC_IOP_SECURE_SLCR, PMC_IOP, BBRAM_CTRL, PMC_ANLG, RTC
30	PMC BOOTROM ERROR	PMC BootROM validation error
29	RCU HARDWARE ERROR	RCU hardware error
28	PPU HARDWARE ERROR	PPU hardware error
27	PMC PAR ERROR	PMC switch and PMC IOP parity errors

Table 295: **ERROR_STATUS Register Format** (cont'd)

Bit	Field	Description
26	PMC CR	PMC correctable errors
25	PMC NCR	PMC non-correctable errors
24	PMC SYSMON0 ALARM	PMC temperature shutdown alert and power supply failure detection errors from SYSMON
23	PMC SYSMON1 ALARM	PMC temperature shutdown alert and power supply failure detection errors from SYSMON
22	PMC SYSMON2 ALARM	PMC temperature shutdown alert and power supply failure detection errors from SYSMON
21	PMC SYSMON3 ALARM	PMC temperature shutdown alert and power supply failure detection errors from SYSMON
20	PMC SYSMON4 ALARM	PMC temperature shutdown alert and power supply failure detection errors from SYSMON
19	PMC SYSMON5 ALARM	PMC temperature shutdown alert and power supply failure detection errors from SYSMON
18	PMC SYSMON6 ALARM	PMC temperature shutdown alert and power supply failure detection errors from SYSMON
17	PMC SYSMON7 ALARM	PMC temperature shutdown alert and power supply failure detection errors from SYSMON
16	PMC SYSMON8 ALARM	PMC temperature shutdown alert and power supply failure detection errors from SYSMON
15	PMC SYSMON9 ALARM	PMC temperature shutdown alert and power supply failure detection errors from SYSMON
14	CFI NCR	CFI non-correctable error
13	SEU CRC ERROR	SEU CRC error
12	SEU ECC ERROR	SEU ECC error
11:10	RSVD_READS_0	Reserved, returns 0
9	RTC ALARM	RTC alarm error
8	NPLL ERROR	PMC NPLL lock error
7	PPLL ERROR	PMC PPLL lock error
6	CLOCK MONITOR ERROR	Clock monitor errors
5	PMC TIMEOUT ERROR	PMC interconnect timeout errors from interconnect mission interrupt status register, interconnect latent status register, and timeout interrupt status register
4	PMC XMPU ERROR	PMC XMPU errors from register access error on APB. Includes read permission violation, write permission violation or security violation
3	PMC XPPU ERROR	PMC XPPU errors from register access error on APB. Includes Master ID not found, read permission violation, Master ID access violation, Master ID parity error, TrustZone violation
2	SSIT ERROR0	SSI technology SLR error
1	SSIT ERROR1	SSI technology SLR error
0	SSIT ERROR2	SSI technology SLR error

EXTENDED_IDCODE Register

The EXTENDED_IDCODE register is a 32-bit register that is accessed via JTAG. The EXTENDED_IDCODE register provides the extended device family code that is used with the IDCODE register for device identification. See [Device Identification](#) for the Versal ACAP member information.

Table 296: EXTENDED_IDCODE Register Format

Bit	Field	Description
31:28	RESERVED	Reserved
27:14	EXTENDED FAMILY CODE	Versal device family code extension
13:0	RESERVED	Reserved

IDCODE Register

The Device_Identification (IDCODE) register is a 32-bit register accessed via JTAG. The IDCODE register provides base family device and revision information with the manufacturer code. The IDCODE register and the EXTENDED_IDCODE register provide the device identification. See [Device Identification](#) for the Versal ACAP member information.

Table 297: IDCODE Register Format

Bit	Field	Description
31:28	VERSION CODE	4-bit version code Used to identify production device
27:12	BASE FAMILY CODE	16-bit base family code
11:1	MANUFACTURER CODE	11-bit Xilinx manufacturer's code is 11b'00001001001
0	RSVD_READS_1	As specified by the IEEE Std 1149.1, this bit is always 1

DNA Register

The DNA register is a 128-bit register accessed via JTAG. The DNA register provides the unique device identifier. See [Device Identification](#) for the Versal ACAP member information.

Table 298: DNA Register Format

Bit	Field	Description
127	RSVD_READS_1	As specified by the Xilinx DNA, this bit is always 1
126	RSVD_READS_1	As specified by the Xilinx DNA, this bit is always 1
125:2	DNA	124-bit DNA represents the specific Versal ACAP unique device identifier information
1	RSVD_READS_1	As specified by the Xilinx DNA, this bit is always 1
0	RSVD_READS_0	As specified by the Xilinx DNA, this bit is always 0

JTAG_STATUS Register

The Versal ACAP JTAG_STATUS register is 36-bits and provides key device information. The register includes the selected boot mode, critical voltage supplies detection, bus width detection, and security feature status. The JTAG_STATUS register format is shown in the following table.

Table 299: JTAG_STATUS Register Format

Bit	Field	Description
35	RESERVED	Reserved
34	DONE	Boot and configuration status indicator A value of 1 on DONE indicates boot and configuration is complete
33	JRDBK ERROR	JTAG readback status indicator A value of 1 on JRDBK indicates an error reading data from SBI
32	JCONFIG ERROR	JTAG data load error indicator A value of 1 means the SBI is not ready to accept data
31:28	PMC VERSION	PMC version
27:24	RESERVED	Reserved
23	JTAG SEC GATE	Security gate status A value of 1 means DAP AXI transactions are allowed
22	RESERVED	Reserved
21	PMC SCAN CLEAR DONE	Scan clear done indication A value of 1 means the scan clear is complete
20	PMC SCAN CLEAR PASS	Scan clear pass indication A value of 1 means the scan clear passed
19:16	RESERVED	Reserved
15:12	BOOT MODE [3:0]	Boot mode value captured from the MODE pins at release of POR_B
11	VCC_PMC DETECTED	VCC_PMC supply detected
10	VCC_PSLP DETECTED	VCC_PSLP supply detected
9	VCCINT DETECTED	VCCINT supply detected
8	VCC_SOC DETECTED	VCC_SOC supply detected
7	AES KEY ZEROIZED	AES key zeroized indicator A value of 1 indicates all keys are zeroized
6	BBRAM KEY ZEROIZED	BBRAM key zeroized indicator A value of 1 indicates that the BBRAM key is zeroized
[5:4]	SELECTMAP BUS WIDTH	SelectMAP boot mode bus width detected 00 = No bus width detected 01 = SelectMAP 8-bit 10 = SelectMAP 16-bit 11 = SelectMAP 32-bit
3	SBI JTAG ENABLED	SBI JTAG indicator A value of 1 indicates the SBI is configured to receive data from the JTAG interface
2	SBI JTAG BUSY	SBI JTAG BUSY indicator A value of 1 indicates the SBI is BUSY and cannot accept data when in JTAG mode
1	RSVD_READS_0	Reserved, returns 0

Table 299: JTAG_STATUS Register Format (cont'd)

Bit	Field	Description
0	RSVD_READS_1	Reserved, returns 1

TAP Instructions

The TAP instructions supported by the Versal ACAP are listed in the following table.

Table 300: TAP Instructions

Instruction Name	Binary Code [5:0]	Description
AUTH_JTAG	110101	Authenticated JTAG can enable the JTAG interface
BYPASS	111111	Enables BYPASS instruction
DPC	110110	Accesses the debug packet controller
ERROR_STATUS	111110	Accesses the error management status register
EXTENDED_IDCODE	011001	Used with IDCODE for extended device identification
EXTEST	100110	Enables the boundary-scan EXTEST instruction
EXTEST_PULSE	111100	Enables the IEEE Std 1149.6 functions in the GTs for testing AC-coupled connections between GTs
EXTEST_TRAIN	111101	Enables the IEEE Std 1149.6 functions in the GTs for testing AC-coupled connections between GTs
HIGHZ_IO	001010	3-stated user I/O pins but not GTs while enabling the bypass register
IDCODE	001001	Accesses the Versal ACAP IDCODE
JCONFIG	000101	Accesses the SBI for boot and configuration of the Versal ACAP via JTAG
JRDBK	000100	Accesses the SBI for readback via JTAG
JTAG_STATUS	011111	Access to the Versal ACAP JTAG status register value
READ_DNA	110010	Accesses the Versal ACAP unique device DNA value
SAMPLE/PRELOAD	000001	Enables boundary-scan SAMPLE/PRELOAD instruction
SYS_RST	110111	Resets the Versal ACAP with PMC_SRST
USER1	000010	Access to the user-defined register 1
USER2	000011	Access to the user-defined register 2
USER3	100010	Access to the user-defined register 3
USER4	100011	Access to the user-defined register 4
USERCODE	001000	Access to the user designated value

Arm DAP Controller

The Arm debug access port (DAP) controller uses the Arm debug interface version 5 (ADiv5). See the [Arm Debug Interface Architecture Specification](#) for additional information.

The debug port is used to access the DAP from an external debugger, and there are access port components to access on-chip system resources. The DAP is referred to debug port and access ports. The DAP controller supports the following features:

- Central controller for the CoreSight debug and trace components with the PS
- Interface to the Arm debug tools through the JTAG interface
- Invasive and non-invasive debug control
- Secure and non-secure debug support

Arm DAP Registers

The Versal ACAPs provide Arm DAP registers listed in the following table.

Table 301: Arm DAP Registers

Register Name	Register Length	Description
BYPASS	1-bit	Bypasses the Arm DAP
IDCODE	32-bit	Captures the Arm DAP IDCODE (6BA00477h)
INSTRUCTION	4-bit	Holds the current instruction opcode. The total Versal ACAP instruction register length is the DAP (4-bit instruction register length) + TAP (6-bit instruction register length).

Arm DAP Instructions

The Versal ACAPs support the Arm DAP instructions listed in the following table.

Table 302: Arm DAP Instructions

Instruction Name	Binary Code [3:0]	Description
BYPASS	1111	Accesses the Arm JTAG debug port Bypass register
IDCODE	1110	Accesses the Arm JTAG debug port IDCODE register
ABORT	1000	Accesses the Arm JTAG debug port Abort register
DPACC	1010	Accesses the JTAG debug port DP register
APACC	1011	Accesses the JTAG debug port AP register

Debug Packet Controller

The debug packet controller (DPC) receives commands packets from one or more of debug host interfaces. The DPC then generates reply packets and transmits them back to the debug host. A link layer provides the communications between the debug host and the DPC. The DPC includes several features to process the command packets from the debug host.

- Command buffers to buffer the queued command packets
- Processing engine to process the queued instruction packets
- FIFO captures the input stream from AXI
- De-multiplexer and decode identifies the packet boundaries and decodes non-queued and queued packets
- Reply buffers generate reply packets that are waiting to be transmitted out to the AXI
- Interconnect switch to provide access to the PMC interconnect, SBI, TPIU, and CoreSight debug

Packet Processing

The command packets processed by the DPC are referred to as debug and trace packets (DTP). Each packet consists of a header, payload, and package integrity (CRC) fields. The DPC decodes the payloads to determine the commands, destinations, and any required higher level flow control and management tasks. The DPC generates response packets including data and any detected errors.

High-Speed Debug Port

The high-speed debug port (HSDP) provides a pathway to the GTY and GTYP transceivers for the Aurora. The debug port provides debugging and trace capability for the programmable logic, processing system, and AI Engines. The HSDP leverages the high-speed gigabit transceivers to make debug less intrusive to the system configuration. The solution can also support at-speed debug of PL designs through the PL ChipScope™ functionality.

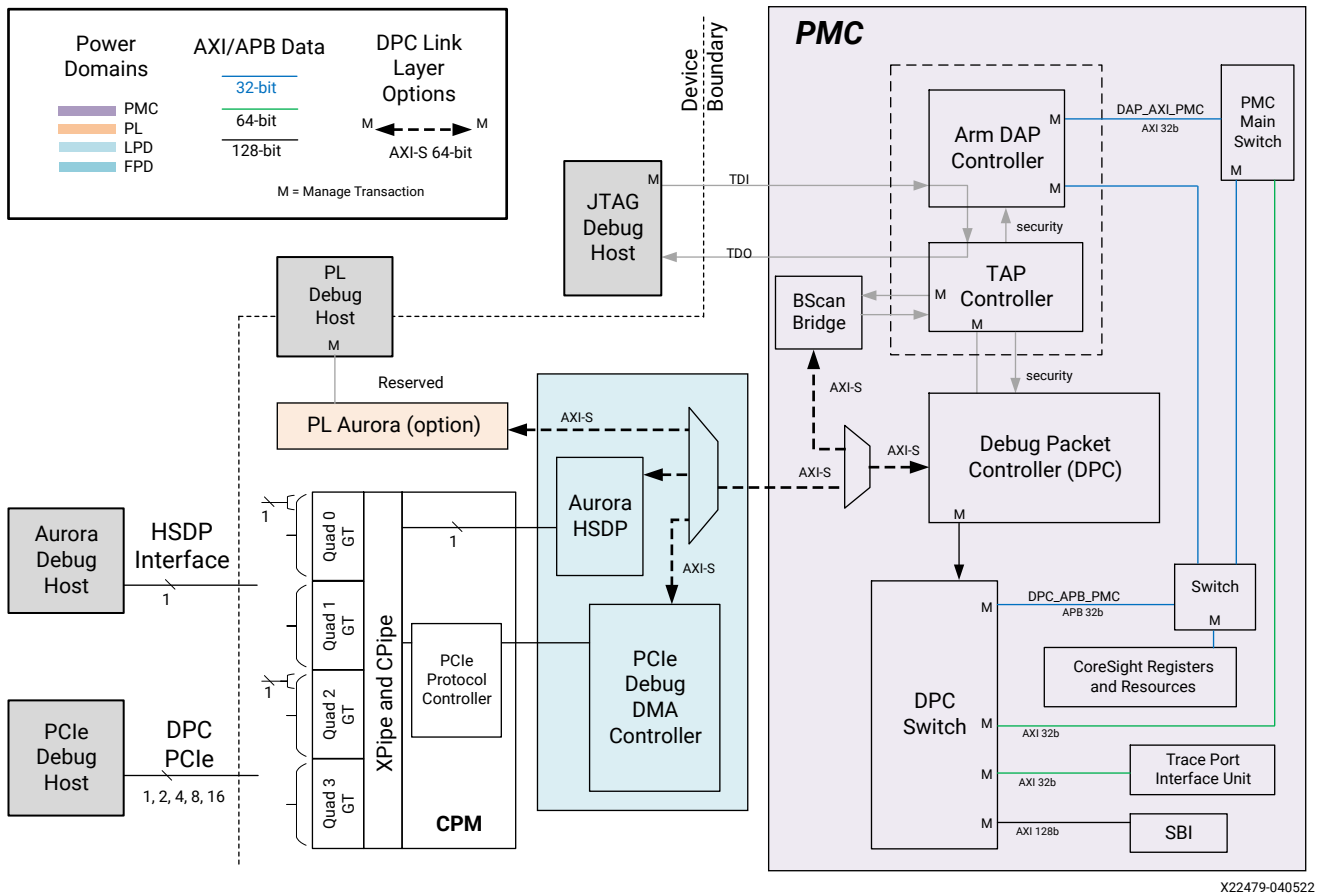
Integrated Debug Block Diagram

The following figure shows the debug host interfaces that are connected to the DPC.

There are four debug host interfaces. The hosts establish a packet protocol with the DPC. To create the response packet, the DPC writes to system resources via the DPC interconnect switch.

Note: The interconnect interfaces are shown in the [Interconnect Switch Diagrams](#) section. The TPIU I/O connections are shown in the [Data Flow Diagrams](#) section.

Figure 133: Integrated Debug System Architecture Block Diagram



Debug Host Interfaces

The DPC interacts with one or more of the following external debug hosts.

- Serial, low-speed JTAG interface attached to the debug access port (DAP) controller
- Serial, high-speed debug port (HSDP) connected to the Aurora protocol unit
- Parallel, high-speed PCIe interface with debug protocols connected to the GTY quad transceivers
- Parallel PL path for potential soft Aurora IP or other debug interface and protocol in the PL

Note: The JTAG interface is often used to start up the DPC and enable additional debug host interfaces.

Note: The quad GTY transceiver multiplexing options are shown in the [GTY and GTYP Pipe Transceivers](#) section of the [Device I/O Connectivity](#) chapter.

The DPC can switch between these four debug hosts as needed. The DPC transaction layer is for receiving commands packets and sending data packets. The four debug port interfaces are summarized in the following table.

Table 303: Debug Host Interface Options

Interface	Description	Comparison
HSDP to Aurora block	Aurora hardened interface attached to a gigabit GTY transceiver. The HSDP interface consumes an entire GTY quad, but uses only one channel.	Preferred choice, when available. Uses HSDP to enable high-speed operation with the capability to daisy-chain multiple Versal ACAPs for debugging multiple devices on the same board.
CPM PCIe	PCIe interface access via GTY gigabit transceivers, and CPM PCIe block	Another high-speed interface using PCIe throughput. Transmits DPC packets using a PCIe debug protocol.
PL Instantiated Aurora block	PL fabric interface access via AXI4-Stream into PL to enable soft Aurora	Can be selected when no other choice is available. Can also be considered an HSDP if full protocol is implemented. DPC access is available after the PL design has been loaded.
JTAG interface	JTAG IEEE 1149.1 standard interface with debug instruction	Bandwidth is limited by the JTAG performance.

CoreSight Debug

The CoreSight™ debug (DBG) functionality has several entry points.

- DAP controller on the JTAG chain
- DPC switch
- PMC main switch

The width of the CoreSight output trace data bus can be 1, 2, 4, 8, or 16 bits wide. Higher bandwidth output can be obtained using the data packet controller (DPC) high-speed debug port (HSDP).

Funnels

The CoreSight debug funnels are listed in the following table.

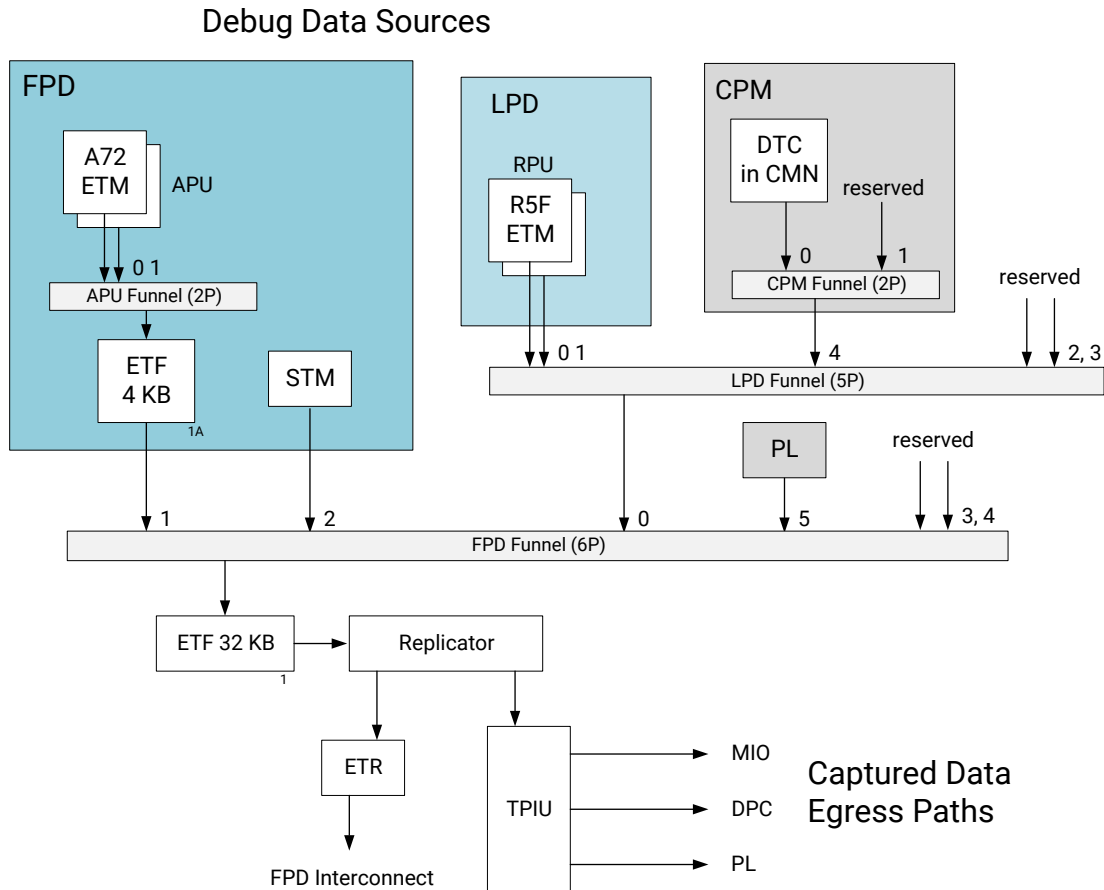
Table 304: CoreSight Debug Funnels

Name	Index	Source	Register Module
LPD funnel (0)	0	RPU 0	DBG_FUNNEL_5P
	1	RPU 1	
	4	Funnel 2	
FPD funnel (1)	0	Funnel 0	DBG_FUNNEL_6P
	1	APU ETF	
	2	STM	
	5	PL	
AP:U funnel (1A)	0	APU 0	DBG_FUNNEL_2P
	1	APU 1	
CPM funnel (2)	0	DTC	DBG_FUNNEL_2P

Debug Data Flow Diagram through Funnels

The debug data flow is shown in the following figure.

Figure 134: Debug Data Flow Through Funnels



X26238-040422

Cross-Trigger Functionality

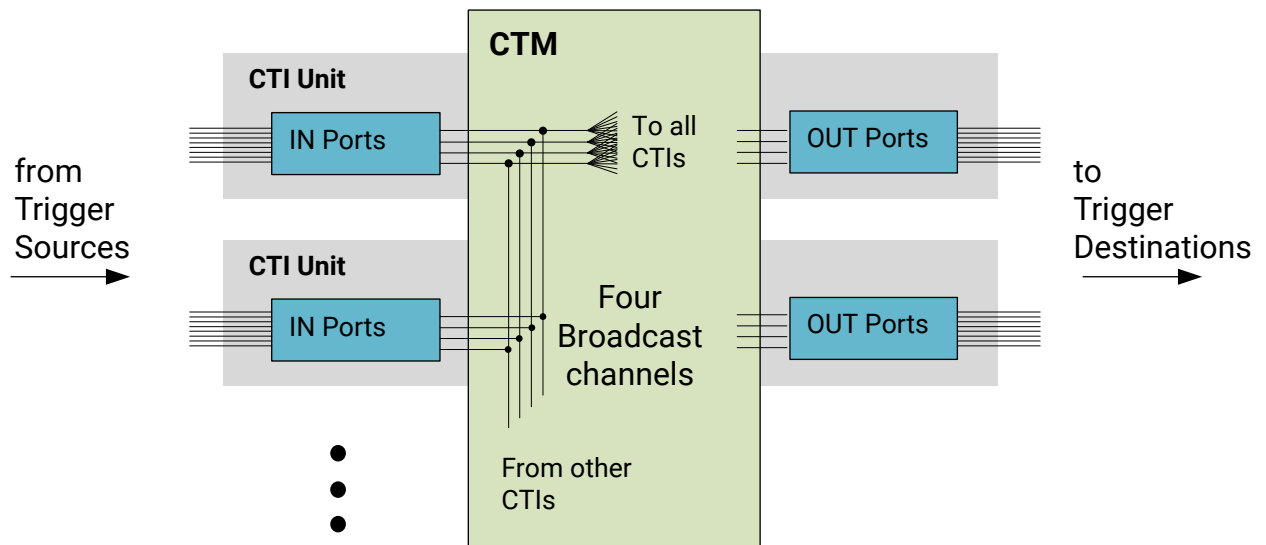
The cross-trigger subsystem receives and sends trigger signals within the PS (APU and RPU) and the programmable logic (PL). There are 30+ trigger sources routed to the IN ports of the cross-trigger interface (CTI) units. The protocol between the source and the CTI can be a hardware response or a software handshake.

The cross-trigger matrix (CTM) supports four broadcast channels. Each CTI trigger input can be broadcasted on one or more channels in the CTM. Each broadcast channel can be asserted from a single trigger source, or by any number of trigger sources. All four broadcast channels are routed to all CTI units.

There are also 30+ trigger outputs from the OUT ports on the CTIs. An output trigger can be generated if one or multiple broadcast channels are asserted. The output triggers can also be programmed to assert when one or more channels are asserted. Each output trigger is routed to a destination. The protocol between the CTI trigger output and the destination can be a hardware handshake or a software acknowledgment with a write.

The cross-trigger functionality is shown in the following figure.

Figure 135: Cross-Trigger Matrix and Interface Units



X26508-041422

CTI Units

All of the CTIs have the same programming model. All of the CTIs are listed in the [CTI Summary Table](#) with their associated register module names and links to the *Versal ACAP Register Reference (AM012)*. The table also includes links to three groups of CTI tables. Each group includes a list of the IN and OUT ports for each CTI instance.

- [CTI Summary Table](#)
- [FPD CTI Ports](#)
- [LPD CTI Ports](#)

Some system units can only generate a trigger or receive a trigger. Some units can both send and receive triggers.

CTI Channel Protocols

When a source asserts a trigger, a status bit is set. There are two protocols for managing the status bit. The protocol for each channel is defined in the individual CTI channel tables.

- HW handshake: the source and destination hardware set and clear the trigger status.
- SW acknowledge: the source sets the status bit with the trigger and software must clear the status bit.
 - For IN ports, write to the source of the trigger.
 - For OUT ports, write to the [CTIINTACK](#) register.

There are separate status bits for the IN and OUT ports.

CTI Summary Table

The CTI units are summarized in the following table with links to the individual CTI port channel tables and the associated register set.

Table 305: Cross-Trigger Interface Summary Table

Description	Register Module Name	Register Module Type	Notes
FPD CTI Ports			
APU Core 0	DBG_APU0_CTI	DBG_A720_CTI	Integrated in APU core
APU Core 1	DBG_APU1_CTI	DBG_A721_CTI	Integrated in APU core
Dual APU	DBG_APU_CTI	DBG_CTI link to <i>Versal ACAP Register Reference (AM012)</i>	CTI 1A
FPD SoC	DBG_FPD_SOC_CTI		CTI 1B
FPD PS-PL	DBG_FPD_PSPL_CTI		CTI 1C, PS-PL, and PL-PS
LPD CTI Ports			
RPU Core 0	DBG_RPU0_CTI	DBG_CTI	Integrated in RPU core
RPU Core 1	DBG_RPU1_CTI		Integrated in RPU core

FPD CTI Ports

The programming model is the same for all register modules. The port assignments and trigger protocols are listed in the following table.

Table 306: FPD Cross-Trigger Interface Ports

Trigger Source	Trigger Destination	Protocol
APU Core 0 CTI DBG_A720_CTI register module APU Core 1 CTI DBG_A721_CTI		

Table 306: FPD Cross-Trigger Interface Ports (cont'd)

Trigger Source	Trigger Destination	Protocol
0: Debug trigger, DBGTRIGGER 1: PMU interrupt, PMUIRQ 2: reserved 3: reserved 4: ETM EXTOUT 0 5: ETM EXTOUT 1 6: ETM EXTOUT 2 7: ETM EXTOUT 3	IN port 0 IN port 1 - - IN port 4 IN port 5 IN port 6 IN port 7	HW handshake
OUT port 0 OUT port 1 OUT port 2 - OUT port 4 OUT port 5 OUT port 6 OUT port 7	0: EDBGREQ 1: Debug restart EDBGRESTART 2: GIC PPI 24 CTIIRQ 3: reserved 4: ETM ExtIn 0 5: ETM ExtIn 1 6: ETM ExtIn 2 7: ETM ExtIn 3	SW acknowledge HW handshake SW acknowledge - HW handshake HW handshake HW handshake HW handshake
Dual APU CTI (1A) DBG_CTI register module		
0 - 1: reserved 2: ETF full 3: ETF ACQCOMP 4 - 7: reserved	- IN port 2 IN port 3 -	SW acknowledge
- OUT port 2 OUT port 3 OUT port 4 OUT port 5 -	0 - 1: reserved 2: ETC FLUSHIN 3: ETF TRIGIN 4: PMUSNAPSHOT0 5: PMUSNAPSHOT1 6 - 7: reserved	- HW handshake HW handshake HW handshake HW handshake -
FPD SoC CTI (1B) DBG_CTI		
0: STM TRIGOUTSPTE 1: STM TRIGOUTSW 2: STM TRIGOUTHETE 3: STM ASYNCOU 4: ETF 1 FULL 5: ETF 1 ACQCOMP 6: ETR FULL 7: ETR ACQCOMP	IN port 0 IN port 1 IN port 2 IN port 3 IN port 4 IN port 5 IN port 6 -	SW acknowledge
OUT port 0 OUT port 1 OUT port 2 OUT port 3 OUT port 4 OUT port 5 OUT port 6 OUT port 7	0: STM HWEVENTS[60, 62_b] ¹ 1: STM HWEVENTS[61, 63_b] ¹ 2: TPIU FLUSHIN 3: TPIU TRIGIN 4: ETF 1 FLUSHIN 5: ETF 1 TRIGIN 6: ETR FLUSHIN 7: ETR TRIGIN	SW acknowledge
FPD PSPL CTI (1C) DBG_CTI		
0: Probe 0, PL to PS trigger, PL_PS_TRIGx 1: Probe 1 2: Probe 2 3: Probe 3 4 - 7: reserved	IN port 0 IN port 1 IN port 2 IN port 3 -	HW handshake

Table 306: FPD Cross-Trigger Interface Ports (cont'd)

Trigger Source	Trigger Destination	Protocol
OUT port 0	0: Probe 0, PS to PL trigger, PS_PL_TRIGx	HW handshake
OUT port 1	1: Probe 1	HW handshake
OUT port 2	2: Probe 2	HW handshake
OUT port 3	3: Probe 3	HW handshake
-	4 - 5: reserved	-
OUT port 6	6: Halt system timer	SW acknowledge
OUT port 7	7: Restart system timer	HW handshake

Note: Two signals to the STM HWEVENTS are inverted: 62_b and 63_b.

LPD CTI Ports

The LPD CTIs include a register set for each RPU. The programming model of these register modules are the same and is described in the [DBG_CTI](#) register module type. The port assignments and trigger protocols are listed in the following table.

Table 307: LPD Cross-Trigger Interface Ports

Trigger Source	Trigger Destination	Protocol
RPU Core 0 DBG_RPU0_CTI register module RPU Core 1 DBG_RPU1_CTI register module		
0: DBG_TRIGGER 1: PMU IRQ 2: ETM_EXTOUT0 3: ETM_EXTOUT1 4: COMMRX 5: COMMTX 6: ETM_TRIGGER 7: reserved	IN port 0 IN port 1 IN port 2 IN port 3 IN port 4 IN port 5 IN port 6 -	HW handshake
OUT port 0 OUT port 1 OUT port 2 - OUT port 7	0: EDBGREQ 1: ETM_EXTIN0 2: ETM_EXTIN1 3 - 6: reserved 7: Debug restart, DBGRESTART	SW acknowledge HW handshake HW handshake - HW handshake

Trace Port Interface Unit

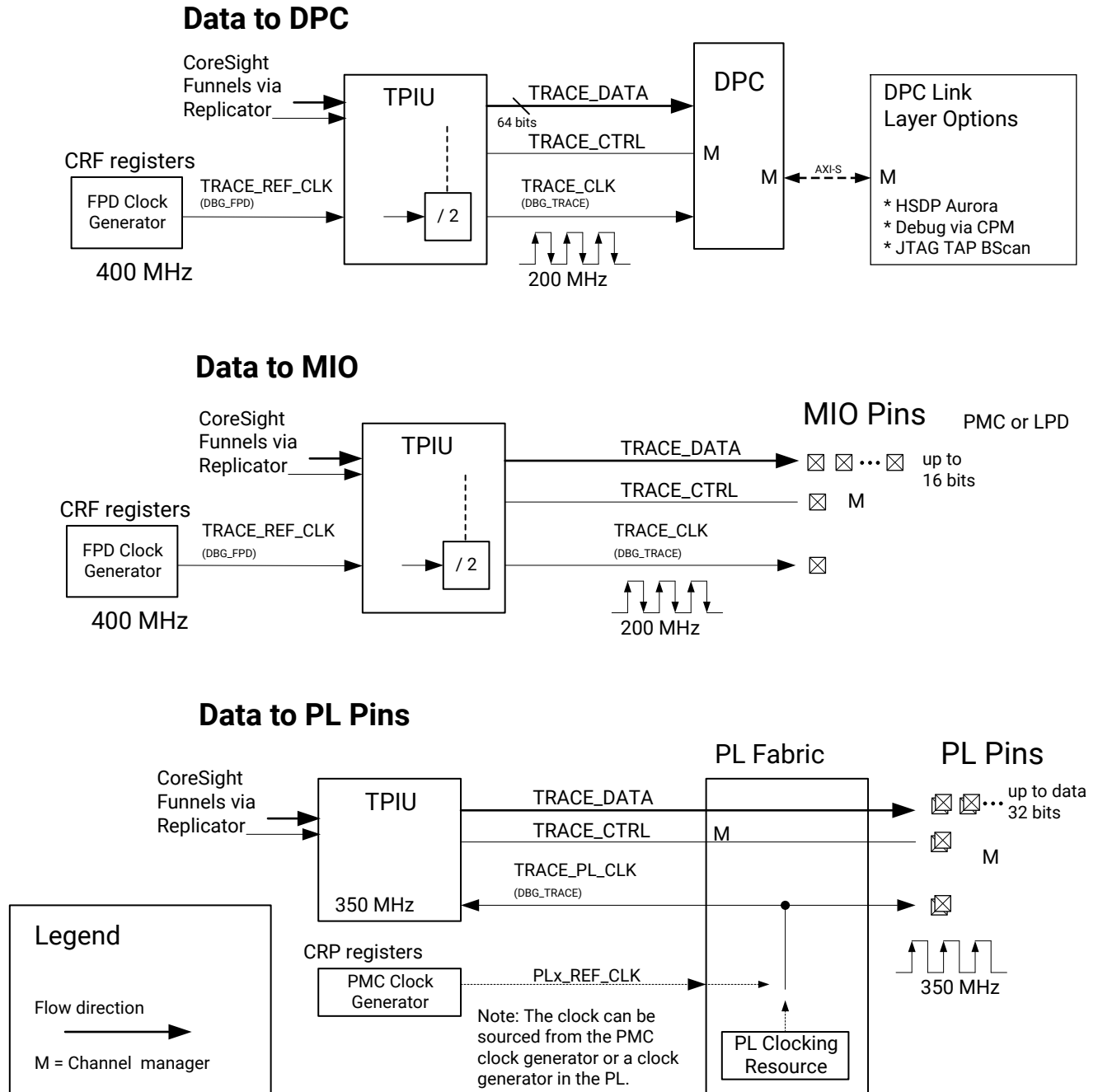
The trace port interface unit (TPIU) receives data from the CoreSight™ debug logic and sends it out to device pins or the PL.

Data Flow Diagrams

The TPIU connections to the DPC, MIO pins, and PL pins are shown in the following figure.

Note: At a system level, the TPIU block is shown in the [Integrated Debug Block Diagram](#) section with connections to the TPIU bridge and debug packet controller.

Figure 136: TPIU Data Flow Diagrams



X25585-041322

Output Interface

The TPIU can be via the PMC MIO pins or the EMIO interface to the PL.

PMC MIO Data Interface

The maximum width of the trace data on MIO is 16 bits. The data is clocked out by a clock output from TPIU with a double data rate (DDR).

EMIO Data Interface

The maximum width of the trace data on EMIO is 32 bits. The data is clocked out by a clock input from the PL with a single data rate (SDR).

Frequency

The maximum clock frequency for the MIO and EMIO interfaces is speed grade dependent. See the PS Trace Interface section of the *Versal Prime Series Data Sheet: DC and AC Switching Characteristics* (DS956) and the *Versal AI Core Series Data Sheet: DC and AC Switching Characteristics* (DS957).

TPIU Port Signals

The PS trace output data from the TPIU has routing options that is selected using the [EXTCTL_Out_Port](#) register:

- PMC MIO multiplexer (two options), clocked by TPIU with double data rate (DDR)
- EMIO to the PL, clocked by PL with single data rate (SDR)
- Trace TPIU bridge to DPC, clocked by TPIU with SDR

The signals for TPIU are listed in the following table. The data width should be programmed to be 1, 2, 4, 8, 16, or 32 bits.

Table 308: Trace Port Signals

Signal Name	MIO				EMIO	
	I/O	PMC Multiplexer Pins		MIO-at-a-Glance Number	Signal Name	I/O
		A	B			
TRACE_CLK	O	6	32	0	PLPS_TRACE_CLK	I
TRACE_CTRL	O	4	30	1	PSPL_TRACE_CTL	O

Table 308: Trace Port Signals (cont'd)

MIO					EMIO	
Signal Name	I/O	PMC Multiplexer Pins		MIO-at-a-Glance Number	Signal Name	I/O
		A	B			
TRACE_DATA[0]	O	5	31	2	PSPL_TRACE_DATA [31:0]	O
TRACE_DATA[1]	O	7	33	3		
TRACE_DATA[2:3]	O	8, 9	34, 35	4, 5		
TRACE_DATA[4:7]	O	10:13	36:39	6:9		
TRACE_DATA[8:15]	O	14:21	40:47	10:17		

CoreSight Register Reference

The CoreSight™ registers are accessible on the 4 GB global address memory space and shown in the [4 GB Address Map by Address](#) section. The registers are located in the range of 0xF080_0000 to 0xF0FF_FFFF.

Debug Timestamp Counter

TSGEN is the debug timestamp generator. The [CTRL](#) register controls the counter operation by enabling, disabling, or halting the counter. Normally, it is 400 MHz after boot, but the frequency can be changed using the [CRL DBG_TSTMP_CTRL](#) register.

Additional Resources and Legal Notices

Xilinx Resources

For support resources such as Answers, Documentation, Downloads, and Forums, see [Xilinx Support](#).

Documentation Navigator and Design Hubs

Xilinx® Documentation Navigator (DocNav) provides access to Xilinx documents, videos, and support resources, which you can filter and search to find information. To open DocNav:

- From the Vivado® IDE, select **Help** → **Documentation and Tutorials**.
- On Windows, select **Start** → **All Programs** → **Xilinx Design Tools** → **DocNav**.
- At the Linux command prompt, enter `docnav`.

Xilinx Design Hubs provide links to documentation organized by design tasks and other topics, which you can use to learn key concepts and address frequently asked questions. To access the Design Hubs:

- In DocNav, click the **Design Hubs View** tab.
- On the Xilinx website, see the [Design Hubs](#) page.

Note: For more information on DocNav, see the [Documentation Navigator](#) page on the Xilinx website.

References

These documents provide supplemental material useful with this guide:

1. Versal ACAP product data sheet:
 - *Versal Architecture and Product Data Sheet: Overview* ([DS950](#))
2. Versal ACAP electrical data sheets:
 - *Versal Prime Series Data Sheet: DC and AC Switching Characteristics* ([DS956](#))
 - *Versal AI Core Series Data Sheet: DC and AC Switching Characteristics* ([DS957](#))
3. *Versal ACAP GTY and GTYP Transceivers Architecture Manual* ([AM002](#))
4. *Versal ACAP Clocking Resources Architecture Manual* ([AM003](#))
5. *Versal ACAP DSP Engine Architecture Manual* ([AM004](#))
6. *Versal ACAP Configurable Logic Block Architecture Manual* ([AM005](#))
7. *Versal ACAP System Monitor Architecture Manual* ([AM006](#))
8. *Versal ACAP Memory Resources Architecture Manual* ([AM007](#))
9. *Versal ACAP AI Engine Architecture Manual* ([AM009](#))
10. *Versal ACAP CPM CCIX Architecture Manual* ([AM016](#))
11. *Versal ACAP Design Guide* ([UG1273](#))
12. *Bootgen User Guide* ([UG1283](#))
13. *Versal ACAP System Software Developers Guide* ([UG1304](#))
14. *Xilinx AI Engine and Their Applications* ([WP506](#))
15. *Versal ACAP Programmable Network on Chip and Integrated Memory Controller LogiCORE IP Product Guide* ([PG313](#))
16. *Versal ACAP CPM Mode for PCI Express Product Guide* ([PG346](#))

Cache Coherent Interconnect

1. [CCI-500 Guide for ACE-Lite and ACE Interfaces](#)
2. [Arm CoreLink CCI-500 Cache Coherent Interconnect Technical Reference Manual](#)
3. [AMBA AXI and ACE Protocol Specification](#)

Additional References

1. [Recommendation for Applications Using Approved Hash Algorithms NIST Special Publication 800-107](#)
2. [SHA-3 Standard: Permutation-Based Hash and Extendable-Output Functions, NIST FIPS PUB 202](#)

Revision History

The following table shows the revision history for this document.

Section	Revision Summary
04/26/2022 Version 1.4	
General updates.	Revised the Address Maps chapter for better flow and consistency. Improved introduction and added content to the Inter-Processor Interrupts chapter. Added a section on CoreSight™ trace interface units. Revised the IP revision table for future expansion, changed the definition of CFU programming interface, updated the PDI estimation tables for Versal® ACAP series updates, and enhanced various sections with new links.
Introduction	
Introduction to Versal ACAP	Added Versal HBM series.
Navigating Content by Design Process	Reorganized chapter and revised content throughout.
Device Overview	Reorganized chapter and revised content throughout.
Documentation	Reorganized chapter and revised content throughout.
Hardware Architecture	
Hardware Architecture	Reorganized entire section and revised content throughout.
Platform Boot, Control, and Status	
Boot Image	Revised introductory section to include information on the PDI image stored in supported Quad SPI, Octal SPI, and eMMC non-volatile memory devices. Revised Boot Image Block Diagram.
PDI Size Estimation	Added Versal® AI Edge, Versal HBM, and Versal® Premium to the PDI estimation tables.
Boot Modes	Revised Boot Image - Programmable Device Image section to include PDI size estimation. Revised eMMC1 in Table 14 . Added information on search limit response.
Quad SPI Boot Mode	Revised 4-bit I/O Detection and 8-bit I/O Detection sections.
Power Management	Updated low-power and system power domain descriptions in the Primary Power Domains table.
Address Maps and Programming Interfaces	
Address Maps	Reorganized chapter and revised content throughout.
Power Pins	Reorganized and added subsections.
CFU Programming Interface	Changed name from CFP Programming Interface Introduction and updated.
Signals, Interfaces, Pins, and Controls	
Power Pins	Updated Power Design Tools section.
MIO-at-a-Glance	Updated Signal Route Control and MIO Pin Assignments By Banks sections.
Engines	
Processor Support Units	Added new section.
Interconnect	
ePort Timeout	Added timeout programming sequence example.

Section	Revision Summary
PL Security	Added new section.
TrustZone Profile	Updated table.
OSPI Direct Access by PMC DMA via CCI	Added new section.
SMMU TBU Instances	Updated table.
Interrupts and Errors	
Inter-Processor Interrupts	Added Message Passing section.
List of SMID Profiles	Added new section.
List of Agents	Added new section.
Flash Memory Controllers	
Access Modes	Added note.
SD Clocks	Expanded and consolidated this section.
Memory Access Modes	Revised Direct Mode section.
I/O Clock Functionality	Changed name from Clock Functionality and revised entire section.
Register-driven DMA Mode	Renamed from DMA Programming Model, reorganized, and revised.
System-Related Registers	Added new section.
Control and Status Registers	Added new section.
Clocks, Resets, and Power	
PMC Block Resets	Revised content in table for RCU, PPU, PMC DMA controllers, SBI boot interface module, and I/O peripherals
Test and Debug	
CoreSight Debug	Revised chapter introduction.
Funnels	Added new section.
Cross-Trigger Functionality	Added new section.
Data Flow Diagrams	Renamed from TPIU I/O Data Flow Block Diagram and updated figure.
10/27/2021 Version 1.3	
Introduction	
Device Overview	Added high-bandwidth memory (HBM) and general updates.
Software Code and Data Files	Changed name from System Software and revised throughout.
Data Packets	Added new section.
PL Building Blocks	Changed name from RPU and APU Multiprocessor Cores. Revised introductory paragraph and table.
Documentation	Added new chapter.
Additional Documents	Added Coherent PCIe Modules, AC/DC Data Sheets, and PCB Design Guide sections.
Xilinx Documentation Navigator	Added new section.
Hardware Architecture	
High-level Interconnect Diagrams	Added AXI SmartConnect core information.
Embedded Memories	Added subsections.

Section	Revision Summary
High-Bandwidth Memory Interface	Added new section.
Multistream Video Decoder Unit	Added new section.
Integrated Hardware Options	Added high-bandwidth memory interface to table.
AI Engine	Added AI Engine Machine Learning section.
Silicon Integrated into Package	Added new section.
PL Fabric Overview	Added I/O information.
Device I/O Connectivity	Revised PL XPIO bank description.
PMC Architecture	Changed name from Platform Management Controller and general updates.
PMC Interconnect Diagram	Changed name from PMC Interconnect.
I/O Buffer Pin Banks	Added new section.
XPipe GTY Transceiver Use Cases	Changed name from CPM4 Design, removed use cases 8 and 9, and renumbered use cases.
CPipe GTYP Transceivers	Added new section.
DDR I/O Banks	Added information on PL accessibility to XPIO banks on the left and right southern corners of the die.
Platform Boot, Control, and Status	
Overview	Added Platform Hardware Reference section.
Secure Boot Flow	Added PLM runtime configuration registers area (RTCA) information.
JTAG Boot Mode	Added BootROM Register Initialization for JTAG table.
PDI Size Estimation	Added devices and updated PDI estimates.
Boot Modes	Reorganized chapter and revised content throughout.
Quad SPI Boot Mode	Added QSPI32 data width 8 to Quad SPI Commands Supported by the RCU table.
Quad SPI Register Boot Settings	Added new section.
SD Register Boot Settings	Added new section.
eMMC1 Register Boot Settings	Added new section.
Octal SPI Register Boot Settings	Added new section.
SelectMAP Register Boot Settings	Added new section.
Device State After RCU BootROM	Added real-time configuration area information.
BootROM Error Code Table	Clarified BootROM error information in the paragraphs before the table.
PMC and PS System Error Management	Added new section.
Platform Hardware Reference	Added new chapter.
Address Maps and Programming Interfaces	
Versal Global Address Map	Revised Global Address Map table.
4 GB Address Map by Address	Added RTCA location in PMC RAM.
4 GB Address Map by Name	Added RTCA location in PMC RAM.
APB, AXI Programming Interfaces	Added note recommendation.
Signals, Interfaces, Pins, and Controls	
Power Pins	Added recommendation to tie VCC_BATT and VCC_FUSE to ground when not used.

Section	Revision Summary
Engines	
Memory Map Diagram	Revised Local Address Space at 0xF900_0000 section.
PS FPD Interrupts	Reorganized and changed subsection names.
GIC-500 Interrupt Controller	Added Local Address Space at 0xF900_0000 section.
GIC Registers	Added introductory paragraph.
Embedded Processor, Configuration, and Security Units	
PMC Global Registers	Added PL-PS Signals
AES-GCM	Added Galois Message Authentication Code and authenticated data (AAD) information.
PMC Security Units	Added new chapter.
Interconnect	
AXI Interconnect Switches	Changed name from Interconnect Switches.
Architecture	Revised TEE definition in first paragraph and added information on enhanced hardware isolation.
System Perspective	Added new section.
XMPU Register Reference	Added new section.
Xilinx Peripheral Protection Unit	Reorganized chapter, changed subsection names, and revised content throughout.
Interrupts and Errors	
IRQ System Interrupts	Updated SWDT names.
Comparison to Previous Generation Devices	Added Master ID registers.
System Perspective	Added introductory paragraph, revised System Management IDs, and added Access Protection
Interrupt Signal Mapping	Added Observation Register information.
Error Accumulator Modules	Revised, including adding System Error Accumulator Modules figure.
Types of Errors	Added new section.
Memory Errors	Added new section.
Interconnect Errors	Added new section.
Processor Errors	Added new section.
System Watchdog Timer Errors	Added new section.
System Software Errors	Added new section.
Timers, Counters, and RTC	
System Watchdog Timers	Reorganized, renamed, revised, and added sections throughout this chapter.
Block Diagram	Revised figure.
Reference Clock Signal	Added EMIO signal names.
I/O Signal MIO and EMIO	Updated signal names.
Memory	
Overview	Added high-bandwidth memory.
Battery-Backed RAM	Added new chapter.
Register Reference	Added new section.
External Memories	Added High-Bandwidth Memory Controllers section.

Section	Revision Summary
Small Storage Elements	Added Processor Caches section.
PL Memory Building Blocks	Added new section.
I/O Peripheral Controllers	
CAN FD Clocks	Changed name from Reference Clock and moved clock frequency restrictions to the Clocks chapter.
GEM Clocks	Changed name from System Clocks and added GEM_TX section.
SPI Clocks	Changed name from Reference Clock, added I/O SCLK Clock, and APB Programming Interface Clock sections.
UART Clocks	Changed name from Reference Clock.
Flash Memory Controllers	
QSPI Clocks	Changed name from Clocks and added QSPIx_CLK Loopback Feature section.
Immediate Data Field Usage	Added new section.
Wiring Diagrams	Removed single 4-bit device on upper interface and dual-stacked 4-bit on upper clocks and data I/O interfacing options.
Low-speed Clock Control Settings	Added Programming Sequence section and added Clock Status to table.
Clocks, Resets, and Power	
Clock Frequency Considerations	Changed section names and reorganized content.
Flash Memory Controller Clock Frequency Requirements	Changed name from Flash Controller Clock Restrictions and reorganized content in table.
Interconnect Clock Frequency Requirements	Changed name from Interconnect Clock Restrictions and added Low-speed Bus Clocks section.
PLL Clock Generator Registers	Changed name from Clock Generators.
Test and Debug	
Integrated Debug Block Diagram	Changed name from System Architecture, added note, and revised PMC in the figure.
Data Flow Diagrams	Added new section.
Debug Timestamp Counter	Added new section.
06/29/2021 Version 1.2	
General update.	Added link to the security lounge where applicable.
Introduction	
Embedded Processor Code	Revised introductory paragraph.
Processing System	Changed name from Device Implementation and moved from Hardware Architecture section.
System Features	Added additional product names.
Additional Documents	Added integrated hardware, PL memory and building blocks, and I/O buffers documentation.
Hardware Architecture	
Figure 4: PS Interconnect Diagram	Updated PS-PL interface names. Moved GIC to another switch. Added FPD Aux and APB switches and added CPM-PS switch names.
System Memory Management Unit	Removed TBU function information.
PMC Interconnect Diagram	Organized functional units into groups.

Section	Revision Summary
Device I/O Connectivity	Revised table.
Device-Level Diagram	Added GTYP transceiver.
GTY and GTYP Pipe Transceivers	Clarified the naming for the GTY and GTYP transceivers. Reorganized, revised, and added notes.
Device Implementation chapter	Moved to Introduction section.
XPipe GTY Transceiver Use Cases	Added new section.
System Features	Revised version information for USB 2.0 controller.
Platform Boot, Control, and Status	
PDI Size Estimation	Added Versal® Premium devices.
Boot Header	Added 0x38 and 0x58 to table. Revised 0x20, 0x128, and 0xF30 description.
Boot Modes	Revised QSPI32 description.
Quad SPI Signals	Revised QSPI_LPBK_CLK description.
BootROM Error Code Table	Revised introduction. Added 0x35D-0x363, 0x108, 0x109, 0x11C, 0x11D, 0x11E, and 0x33E error codes. Revised description for 0x206, 0x207, 0x209, and 0x31E error codes.
Security Management	Added link to UG1508 and to the design security lounge.
Secure Key Storage and Management	Removed key selections column from the key sources table and removed decode values. Added link to AM018 and to the design security lounge.
Key Selection	Added link to AM018 and to the design security lounge.
Physically Unclonable Function	Added information on nominal VCC_PMC value.
Key Management Summary	Updated key management summary table.
User Access to Xilinx Hardware Cryptographic Accelerators	Added Arm® v8 Cryptography Extensions in the APU MPCore.
Address Maps and Programming Interfaces	
Versal Global Address Map	Corrected destination names. Added NOC_AXI_PL_H and NOC_AXI_PL_L.
Address Maps	Reorganized and changed subsection names.
4 GB Address Map by Address	Updated table.
4 GB Address Map by Name	Updated table.
APB, AXI Programming Interfaces	Added Secure Register Modules.
NPI Programming Interface	Revised list of Features, Errors and Interrupts, and Access sections.
Signals, Interfaces, Pins, and Controls	
Multiplexed I/O Signals and Pins	Reorganized this chapter and changed some section names. Revised introductory paragraph.
MIO-at-a-Glance	PMC MIO pin 21 routing corrected for FPD_SWDT (goes to RST_PEND). Added GEM to TSU clock name.
MIO Routing Considerations	Changed name from I/O Pinout Considerations. Removed output enable and pull up/pull down information.
MIO Pin Buffer Controls	Added new section.
Input Buffer Control Registers	Changed name from Input Controls. Revised introductory paragraph and table.
Output Buffer Control Registers	Changed name from Output Controls. Revised introductory paragraph.

Section	Revision Summary
MIO Routing Control Registers	Added new section.
MIO Pin Routing	Added new section.
MIO Routing Diagram	Added new section.
MIO Routing Control Registers	Added new section.
MIO Routing Functionality Details	Added new section.
MIO Pin Programming Example	Changed name from Pin Programming Examples.
IOP SLCR Registers for PMC and LPD	Removed chapter.
Engines	
Power Modes and States	Added Power Islands section.
CPU Local and Global Memory Map	Changed name from CPU Local Memory Maps. Global map for lock-step mode added to table.
Memory Map Diagram	Removed global address map view from figure.
Tightly-coupled Memories	Revised to specify that 256 KB TCM is available in lock-step mode.
PS DMA Controller	Changed name from LPD DMA. Reorganized chapter and changed some section names.
Block Diagram	Clarified eight independent channels, moved common buffer outside of sets of channels, revised to show registers are the individual terms, and added legend.
Comparison to Previous Generation Devices	Revised first paragraph to include information on 4 KB common buffer and FCI. Added note specifying that the LPD DMA is a PS DMA controller that is also known as the ADMA.
FPD Block Diagram	Updated PS-PL channel representations, moved TBU6 to PL, and updated interface names to/from PL.
Memory Coherency	Added new section.
PL Flow-Control Interface	General updates and added note.
Interrupts	Added new section.
Embedded Processor, Configuration, and Security Units	
Platform Processing Unit	Reorganized this chapter and changed some section names. Specified that the PPU implements the MicroBlaze™ architecture and is a host on the PMC main switch.
Authenticated JTAG	Revised description, and added link to UG1508 and design security lounge.
PMC Global Registers	Revised descriptions for GLOBAL_GEN_STORAGE and PERS_GLOB_GEN_STORAGE registers.
PMC Local Registers	Added new section.
PSM Register Reference	Added new section.
Configuration Frame Unit	Added information about decompression done in the CFU and compression default PDI setting.
Interconnect	
General updates.	Renamed chapters and reorganized content throughout.
AXI Interconnect Switches	Changed name from Interconnect Hardware. Reorganized and revised content throughout this chapter.
Transaction Attributes	Changed name from AXI Transaction Attributes. Reorganized and revised content throughout this chapter.
Transaction Routes	Added new chapter.

Section	Revision Summary
AXI Interface	Added new section.
PS to PL Interfaces	Added note.
Register Reference	Added new section.
Shared Virtual Memory	Changed name from Memory Virtualization.
Features	Added new section.
Cache Coherent Interconnect	Reorganized and revised content throughout this chapter.
Timers, Counters, and RTC	
System-Level Registers	Added new section.
I/O Peripheral Controllers	
System Signals	Reorganized and revised.
Flash Memory Controllers	
System-Level Registers	Revised OSPI_IP_AXI_Sel description.
OSPI Clocks	Revised clock description.
QSPI Clocks	Revised clock description.
Clock Tap Control Settings	Added second footnote to table.
SD/eMMC Controllers	Changed ADMA2 to ADMA throughout.
I/O Interface Control Registers	Revised table.
Clocks, Resets, and Power	
Clocks	Added clock register modules information.
Clock Frequency Considerations	Added new section.
Base Time Period	Clarified REF_CLK and PMC_IRO_CLK frequencies.
Resets	Reorganized, extensively revised, and added new content throughout this chapter.
Test and Debug	
General updates.	Reorganized throughout and renamed some sections.
Overview	Added new section.
JTAG Register Reference	Revised SYSTEM_RESET JTAG register description.
TAP Instructions	Alphabetized instruction names in table.
Integrated Debug Block Diagram	Changed name from High-Speed Debug Port. Revised figure: swapped TAP and DAP, added TDI and TDO, clarified destinations, clarified 1-bit connection to GTY, and minor name improvements.
Debug Host Interfaces	Added new section.
Debug Packet Controller	Revised and added two subsections.
Additional Resources and Legal Notices	
References	Updated list of Xilinx® references and added Cache Coherent Interconnect references.
Arm Documents	Added additional Arm documents.

Section	Revision Summary
11/30/2020 Version 1.1	
General updates.	Revised nomenclature for CPM to adhere to the PCIe® trademark. Changed Encrypt Only (EO) terminology to Symmetric Hardware Root of Trust (S-HWRoT), and Hardware Root of Trust (HWRoT) to Asymmetric Hardware Root of Trust (A-HWRoT). Changed the name of the secure debug feature to authenticated JTAG.
Introduction	
General updates.	Renamed chapters and reorganized content throughout.
Figure 1: System Processors Block Diagram	Added system block diagram.
Processing System	Changed name from Versal Device Variations, added Processing System Support Hardware, Integrated Hardware Options, and Comparison to Previous Generation Xilinx Devices.
Hardware Architecture	
High-level Interconnect Diagrams	Reorganized sections.
Integrated Hardware	Added section.
Monolithic Physical Layout Example	Updated to clarify the layout as an example.
PS FPD Architecture	Removed APU Interconnect section.
PMC Block Diagram	Corrected and clarified MIO pin connections.
Comparison to Previous Generation Devices	Changed secure debug to authenticated JTAG.
Device I/O Connectivity	Added debug paths to this chapter.
Figure 10: I/O Connectivity Diagram	Revised XPIPE area and enhanced the PSIO and EMIO representation.
MIO and Dedicated I/O Banks	Added section.
GTY and GTYP Pipe Transceivers	Added section.
Figure 4: PS Interconnect Diagram	Revised the CPM block and removed performance monitor.
Figure 4: PS Interconnect Diagram, Figure 6: PS LPD Interconnect Diagram, and Figure 7: PMC Interconnect Block Diagram	Removed performance monitor.
DDR I/O Banks	Revised for clarity and renamed from DDR XPIO transceiver banks.
Platform Boot, Control, and Status	
Secure Boot Flow	Changed secure debug to authenticated JTAG.
Boot Image	Revised chapter name, added information for the programmable device image, and clarified the figure.
PDI Size Estimation	Added new section.
Boot Modes	Updated QSPI entry in primary boot modes table, added the visual boot pin usage guide table, and added eMMC1 (raw) information to the boot mode search limit table.
Quad SPI Signals	Added details for BootROM MIO setup.
SD Signals	Revised the descriptions of WP, DETECT, and bus power. Added details for BootROM MIO setup.
SD2.0 Interface	Specified WP, DETECT, and BUSPWR signals are optional. Added external voltage level translator information and added note to figure.

Section	Revision Summary
SD3.0 Interface	Specified WP, DETECT, and BUSPWR signals are optional. Added external voltage level translator information and added note to figure.
eMMC1 Boot Mode	Added information on the raw partition support for boot.
Table 45: BootROM Error Codes	Revised description for 0x301, 0x302, 0x31D, 0x320, 0x517, 0x518, 0x51A, and 0x51B error codes.
I/O Configuration Detection	Added new section.
SelectMAP Boot Mode	Added SelectMAP wait time and recommendation for JTAG during early phases and debug.
eMMC1 Signals	Added details for BootROM MIO setup.
SelectMAP Signals	Added details for BootROM MIO setup.
Octal SPI Signals	Added details for BootROM MIO setup.
BootROM Error Code Table	Revised error codes and added new error codes.
Address Maps and Programming Interfaces	
Address Maps	Added new section and updated address maps.
IOP SLCR Registers for PMC and LPD	Added new chapter.
NPI Programming Interface	Clarified introductory paragraph.
Signals, Interfaces, and Pins	
Power and PMC Dedicated Pins	Combined Power Pins chapter with PMC Dedicated Pins chapter.
PMC Dedicated Pins	Removed DXP/DXN pins from the table.
Power Pins	Reorganized power pins table.
Engines	
Operating Modes	Renamed from Operating States and clarified information.
Configuration Registers	Renamed from Hardware Configuration and revised descriptions.
Power Modes and States	Renamed from Power Modes.
CPU Local and Global Memory Map	Clarified lock-step cache entries.
Memory Map Diagram	Clarified 0xF900_0000 address information.
FPD Block Diagram	Renamed from Block Diagram.
APU MPCore Functional Units	Renamed from Functional Units.
Embedded Processor, Configuration, and Security Units	
Section VII: Embedded Processor, Configuration, and Security Units	Renamed from Platform Processor, Configuration, and Security Units, as well as reorganized chapter content.
PMC Global Register Set	Completed register descriptions.
Clock Monitor	Added this chapter.
Interconnect	
Overview	Extensive additions and revisions throughout this chapter.
List of Interconnect Diagrams	Added new section.
LPD Interconnect Port Diagram	Added new section.
AXI Interconnect Switches	Added new chapter.
Table 92: Interconnect Switch Functionality	Removed performance module probe.

Section	Revision Summary
Figure 67: PS Memory Address Translation	Significant updates, including added new pathways, as well as added and removed masters.
Transaction Routing	Added Transaction Routing Options Through CCI table.
Striping NoC Interfaces	Added new section.
Instances	Removed base address information.
Address Map	Added new section.
Interrupts and Errors	
PMC Error Status 1 and PMC Error Status 2	Added SSI technology to table.
PMC and PS System Error Management	Added new chapter.
Timers, Counters, and RTC	
Table 139: TTC Register Overview	Added address offset and access type, as well as clarified content.
I/O Peripheral Controllers	
Control and Status	Revised register names.
Message Space Data	Revised register names.
Modes and States	Revised modes and options.
Programming Model	Added two functional anomalies.
Comparison to Previous Generation Xilinx Devices	Clarified device comparison.
Interrupts	Added new chapter.
Flash Memory Controller	
Start-up Sequences	Clarified idle status bit section.
Voltage Level Shifter Interface	Added note and added bus power to figure.
Figure 118: External Voltage Level Shifter Wiring	Revised figure to add bus power.
SD Command Response Registers	Added new section.
Clocks, Resets, and Power	
Resets	Extensive additions and updates throughout this chapter.
Table 272: PMC System Reference Clock Registers	Added footnote.
Test and Debug	
Figure 129: Debug Interface Block	Changed HSDP Link Layer Options to DPC Link Layer Options. Added HSDP to CPM PCIe® and Aurora (Hard IP).
JTAG and Boundary-Scan	Added information on JTAG interface protections.
JTAG Register Reference	Added to the JTAG_CONFIG register description.
TAP Instructions	Changed SEC_DBG to AUTH_JTAG and updated description. Updated STATUS to JTAG_STATUS.
CoreSight Debug	Added more information for bandwidth calculations and reorganized content.
Arm DAP Controller	Added link to Arm® Debug Interface Architecture Specification.
Debug Host Interfaces	Removed reserved from the PCIe connector. Added HSDP to Aurora and PCIe connections and added debug host to PCIe connection. Added DPC link layer options table.
Debug Packet Controller	Clarified HSDP defined protocol and added non-HSDP link layer information.
CoreSight Register Reference	Added new section.

Section	Revision Summary
07/16/2020 Version 1.0	
Initial release.	N/A

Arm Documents

The Arm documents are grouped as follows:

- Cortex®-A72 MPCore and GIC
- CoreSight™ Debug
- Cortex®-R5F MPCore and GIC

Cortex-A72 MPCore and GIC

The Cortex-A72 and generic interrupt controller (GIC) documents include:

- Cortex-A72 MPCore Processor Technical Reference Manual, 100095
- Cortex-A72 MPCore Processor Cryptography Extension, 100097-0002004
- Architecture Reference Manual, DDI-0487C.a
- CoreLink GIC-500 Generic Interrupt Controller Technical Reference Manual, DDI00516E
- Generic Interrupt Controller Architecture Specification, IHI-0069D

CoreSight Debug

The CoreSight debug documents include:

- CoreSight Architecture Specification v2.0, IHI-0029D
- Debug Interface Architecture Specification, IHI-0031C
- Embedded Trace Macrocell Architecture Spec, IHI-0064D
- CoreSight ELA-500 Embedded Logic Analyzer, 100127_0202_00
- CoreSight SoC-400 Technical Reference Manual, 100536_0302_01
- CoreSight SoC-400 User Guide, 100490_0302_01
- CoreSight Trace Memory Controller, DDI-0461B
- STM-500 System Trace Macrocell Technical Reference Manual, DDI-0528B
- System Trace Macrocell Programmers' Model Architecture Spec, IHI-0054B

Cortex-R5 MPCore and GIC

- Cortex-R5F Technical Reference Manual, DDI-0460D, revision r1p2
- PrimeCell Generic Interrupt Controller (PL390) Technical Reference Manual, DDI-0416B, revision r0p0

Please Read: Important Legal Notices

The information disclosed to you hereunder (the "Materials") is provided solely for the selection and use of Xilinx products. To the maximum extent permitted by applicable law: (1) Materials are made available "AS IS" and with all faults, Xilinx hereby DISCLAIMS ALL WARRANTIES AND CONDITIONS, EXPRESS, IMPLIED, OR STATUTORY, INCLUDING BUT NOT LIMITED TO WARRANTIES OF MERCHANTABILITY, NON-INFRINGEMENT, OR FITNESS FOR ANY PARTICULAR PURPOSE; and (2) Xilinx shall not be liable (whether in contract or tort, including negligence, or under any other theory of liability) for any loss or damage of any kind or nature related to, arising under, or in connection with, the Materials (including your use of the Materials), including for any direct, indirect, special, incidental, or consequential loss or damage (including loss of data, profits, goodwill, or any type of loss or damage suffered as a result of any action brought by a third party) even if such damage or loss was reasonably foreseeable or Xilinx had been advised of the possibility of the same. Xilinx assumes no obligation to correct any errors contained in the Materials or to notify you of updates to the Materials or to product specifications. You may not reproduce, modify, distribute, or publicly display the Materials without prior written consent. Certain products are subject to the terms and conditions of Xilinx's limited warranty, please refer to Xilinx's Terms of Sale which can be viewed at <https://www.xilinx.com/legal.htm#tos>; IP cores may be subject to warranty and support terms contained in a license issued to you by Xilinx. Xilinx products are not designed or intended to be fail-safe or for use in any application requiring fail-safe performance; you assume sole risk and liability for use of Xilinx products in such critical applications, please refer to Xilinx's Terms of Sale which can be viewed at <https://www.xilinx.com/legal.htm#tos>.

AUTOMOTIVE APPLICATIONS DISCLAIMER

AUTOMOTIVE PRODUCTS (IDENTIFIED AS "XA" IN THE PART NUMBER) ARE NOT WARRANTED FOR USE IN THE DEPLOYMENT OF AIRBAGS OR FOR USE IN APPLICATIONS THAT AFFECT CONTROL OF A VEHICLE ("SAFETY APPLICATION") UNLESS THERE IS A SAFETY CONCEPT OR REDUNDANCY FEATURE CONSISTENT WITH THE ISO 26262 AUTOMOTIVE SAFETY STANDARD ("SAFETY DESIGN"). CUSTOMER SHALL, PRIOR TO USING OR DISTRIBUTING ANY SYSTEMS THAT INCORPORATE PRODUCTS, THOROUGHLY TEST SUCH SYSTEMS FOR SAFETY PURPOSES. USE OF PRODUCTS IN A SAFETY APPLICATION WITHOUT A SAFETY DESIGN IS FULLY AT THE RISK OF CUSTOMER, SUBJECT ONLY TO APPLICABLE LAWS AND REGULATIONS GOVERNING LIMITATIONS ON PRODUCT LIABILITY.

Copyright

© Copyright 2020-2022 Xilinx, Inc. Xilinx, the Xilinx logo, Alveo, Artix, Kintex, Kria, Spartan, Versal, Vitis, Virtex, Vivado, Zynq, and other designated brands included herein are trademarks of Xilinx in the United States and other countries. PCI, PCIe, and PCI Express are trademarks of PCI-SIG and used under license. AMBA, AMBA Designer, Arm, ARM1176JZ-S, CoreSight, Cortex, PrimeCell, Mali, and MPCore are trademarks of Arm Limited in the EU and other countries. All other trademarks are the property of their respective owners.